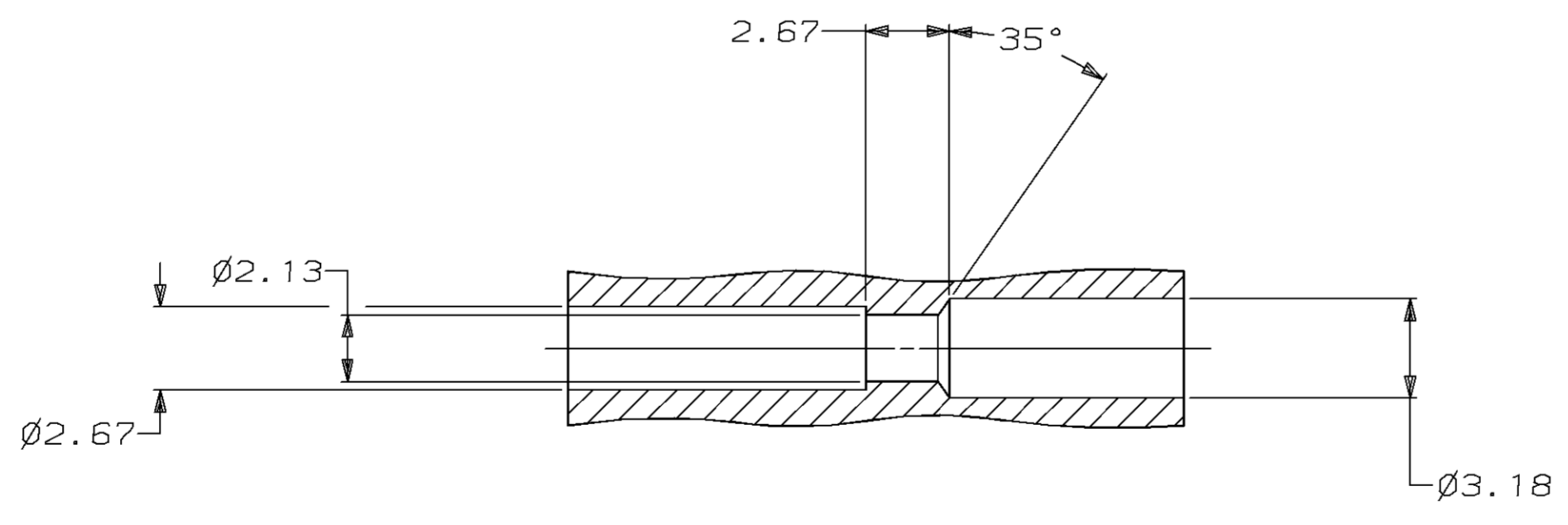
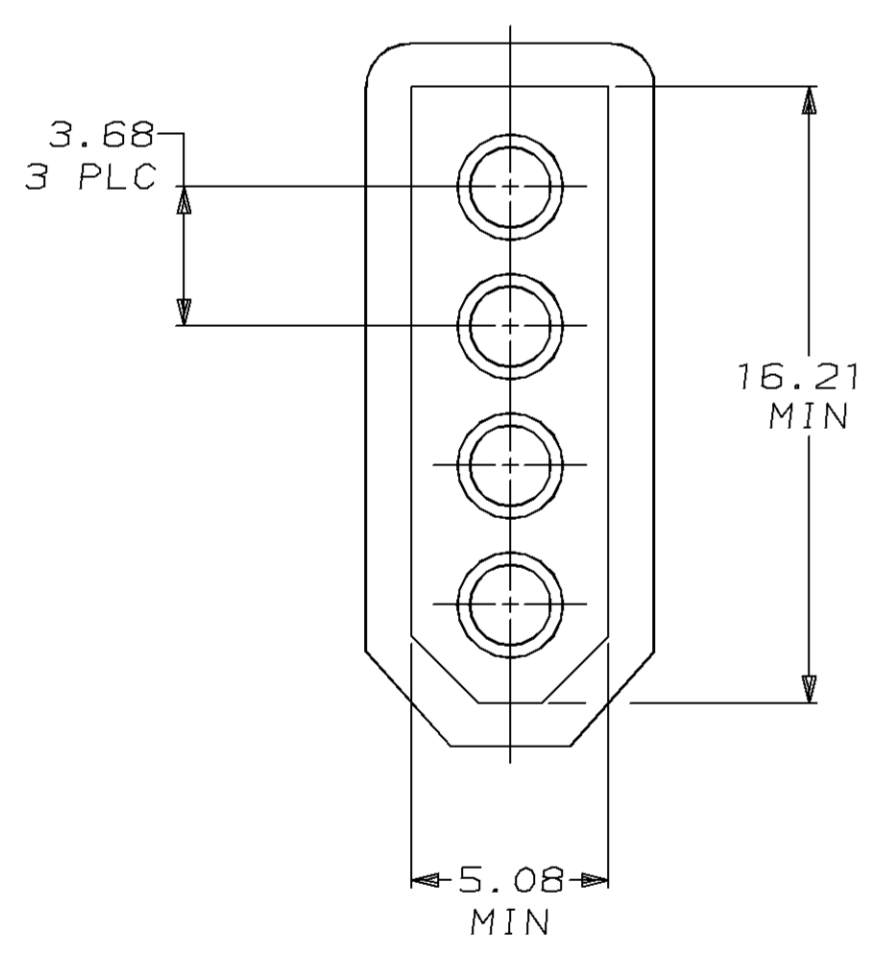
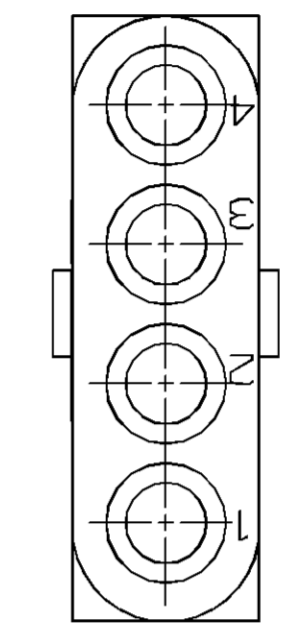
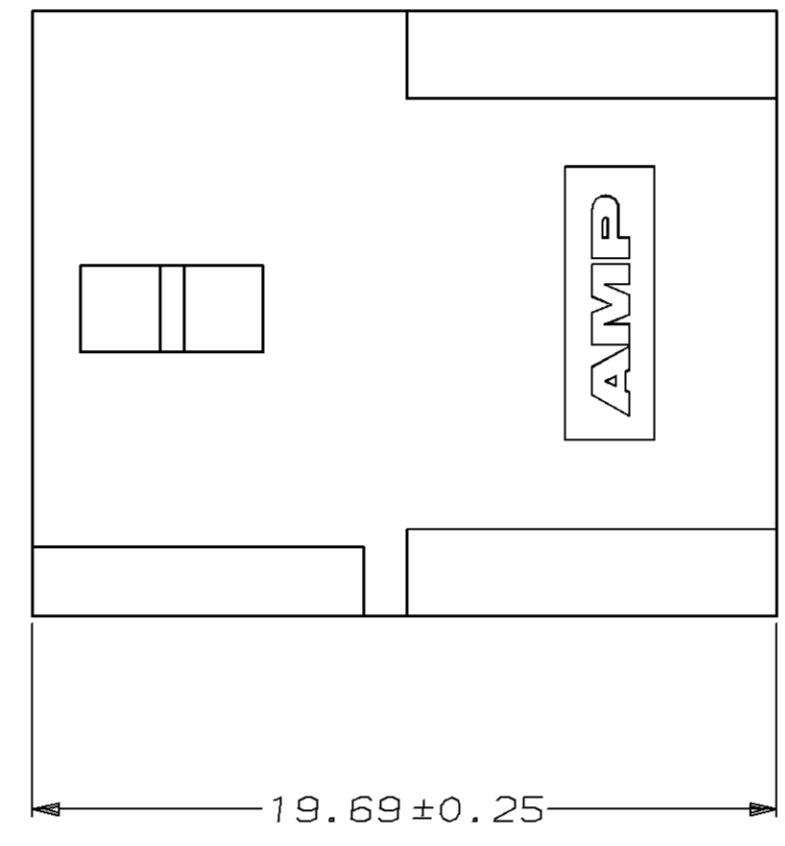
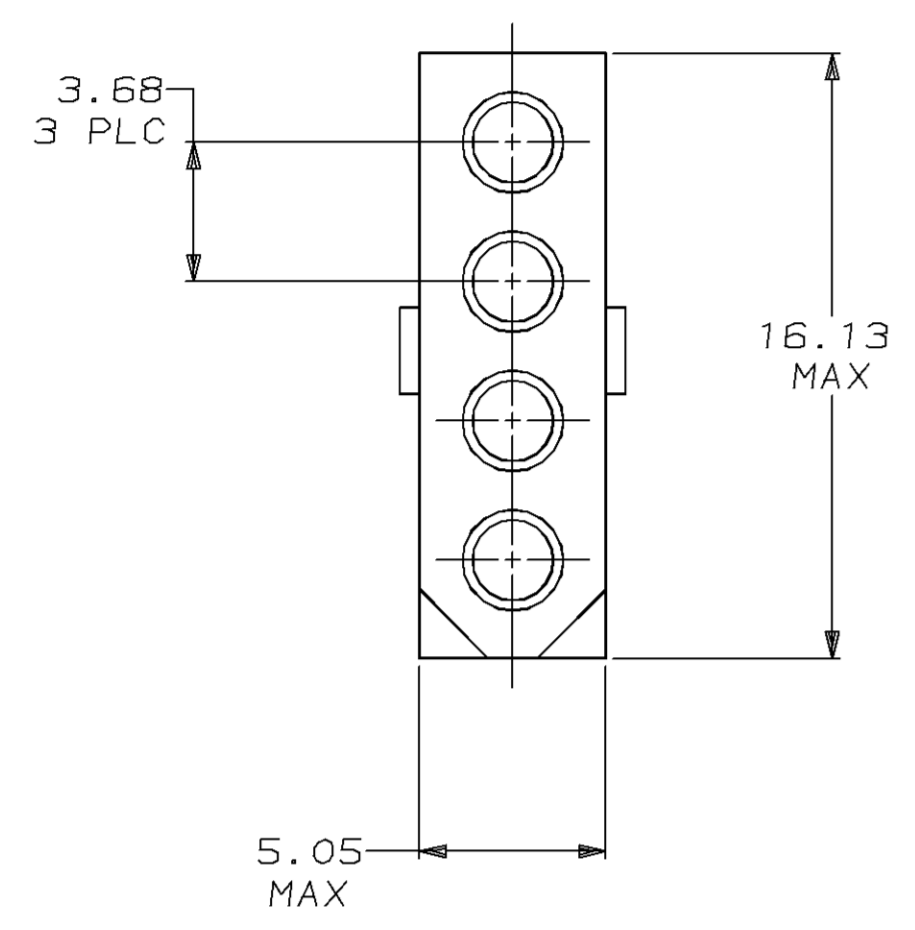
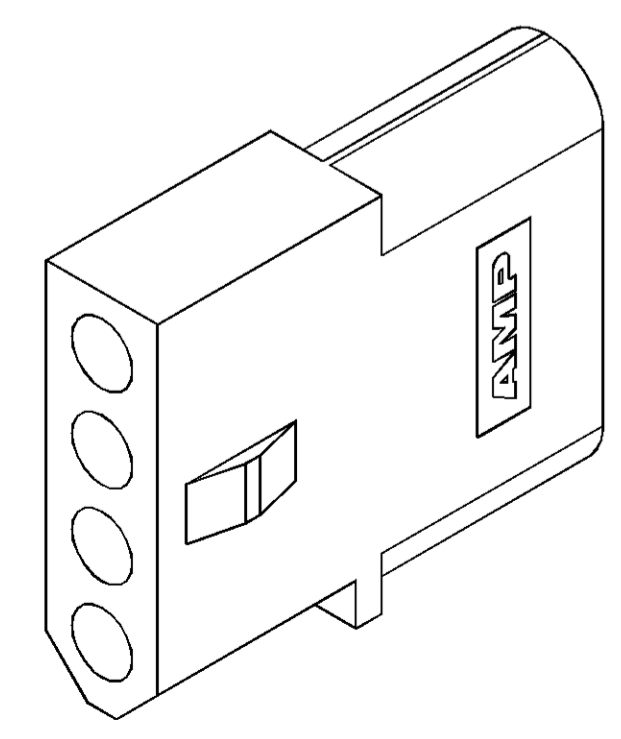


LOC		DIST		P		F		ZONE		LTR		REVISIONS		DATE	APPD
CM	53												REV PER EC 0730-0221-95	11-20-95	JH



MATING CONNECTOR INTERFACE

TYPICAL RECEPTACLE CAVITY SECTION  
(DIMENSIONS REFERENCE ONLY)



3-DIMENSIONAL MODEL  
NTS

3.18	.125	19.69	.775
2.67	.105	16.21	.638
2.13	.084	16.13	.635
1.57	.062	5.08	.200
0.25	.010	5.05	.199
0.13	.005	3.68	.145
MM	IN	MM	IN

CONVERSION TABLE



THIS DRAWING IS A CONTROLLED DOCUMENT FOR AMP INCORPORATED. IT IS SUBJECT TO CHANGE AND THE CONTROLLING ENGINEERING ORGANIZATION SHOULD BE CONTACTED FOR THE LATEST REVISION.

DO NOT SCALE PRINT. UNLESS SPECIFIED DIMENSIONS IN mm [INCHES]		DR 11-4-93 K. WHITAKER		AMP Incorporated Harrisburg, PA 17105-3608	
TOLERANCES ON:		CHK 11-4-93 R. SWING		NAME	
2 PLC DEC ± 0.13		APPD 11-4-93 C. CASH		RECEPTACLE, 4 CIRCUIT, .062 PIN AND SOCKET	
3 PLC DEC ± -		APPD 11-4-93 C. CASH		SIZE	
ANGLES ± 1°		PRODUCT SPEC -		D 00779	
MATERIAL		APPLICATION SPEC -		DRAWING NO	
NYLON, UL 94V-2 NATURAL		WEIGHT -		C-770274	
FINISH -		SCALE 5:1		SHEET 1 OF 1	

770274-1  
PART NO