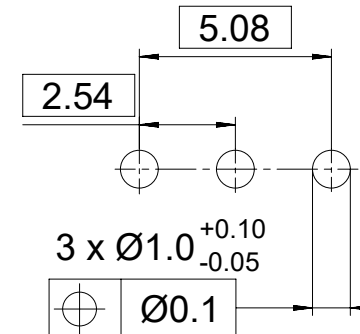
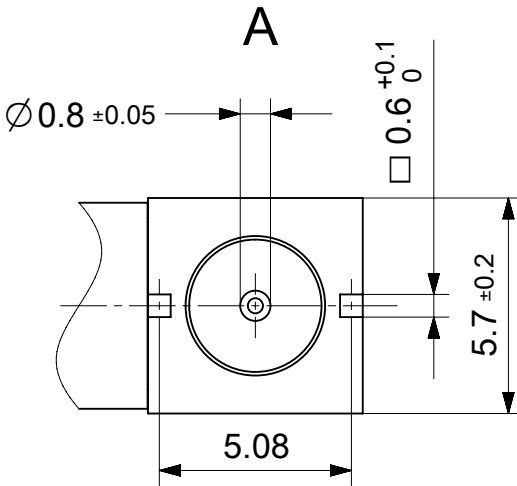
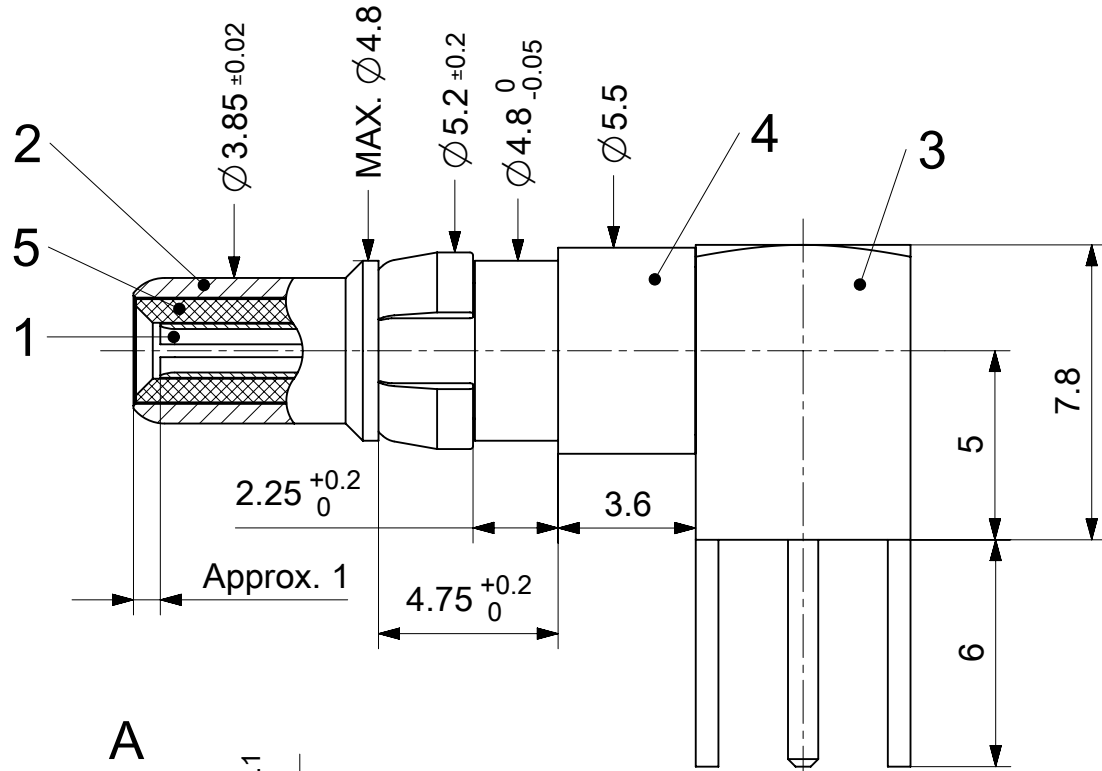


2:1

### PCB-Layout



1731120823	FME008P101	101
1727040129	FME008P102	102
1731140044	FME008P128	128
1731121072	FME008P202	202
Material Number	FCT Part Number	Material + Finish See extra sheet



RoHS compliant  
by exemption

UNLESS OTHERWISE SPECIFIED DIMENSIONS FOR REFERENCE ONLY				REPLACEMENT FOR DOCUMENT NUMBER: FME008P						
THIS DRAWING CONTAINS INFORMATION THAT IS PROPRIETARY TO MOLEX ELECTRONIC TECHNOLOGIES, LLC AND SHOULD NOT BE USED WITHOUT WRITTEN PERMISSION										
FUNCTIONAL SYMBOLS	DIMENSION UNITS	SCALE	CURRENT REV DESC:							
$\frac{F}{A} = 0$	mm	5:1	EC NO: 710158							
$\frac{E}{E} = 0$	GENERAL TOLERANCES (UNLESS SPECIFIED)		DRWN: VLOKESHA 2021/04/16							
$\frac{E}{P} = 0$	ANGULAR TOL ± °		CHK'D: FVETTER 2022/06/13							
DIVISIONAL SYMBOLS	4 PLACES	±	APPR: FVETTER 2022/06/13							
	3 PLACES	±	INITIAL REVISION:							
	2 PLACES	±	DRWN: VLOKESHA 2021/04/16							
	1 PLACE	±	APPR: FVETTER 2022/06/13							
	0 PLACES	±	DRAFT WHERE APPLICABLE MUST REMAIN WITHIN DIMENSIONS		FIRST ANGLE PROJECTION	DRAWING	SERIES	MATERIAL NUMBER	CUSTOMER	SHEET NUMBER
						A4-SIZE	173112	SEE TABLE	GENERAL MARKET	1 OF 1

**molex**

FCT 50 OHM COAXIAL CONTACT FOR D-SUB

PRODUCT CUSTOMER DRAWING

DOCUMENT NUMBER	DOC TYPE	DOC PART	REVISION
1731120823	PSD	000	A