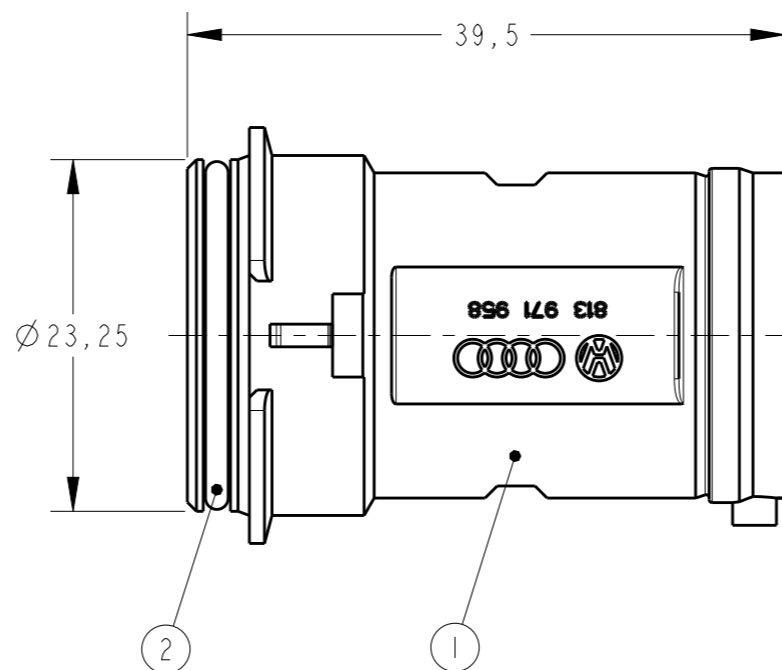
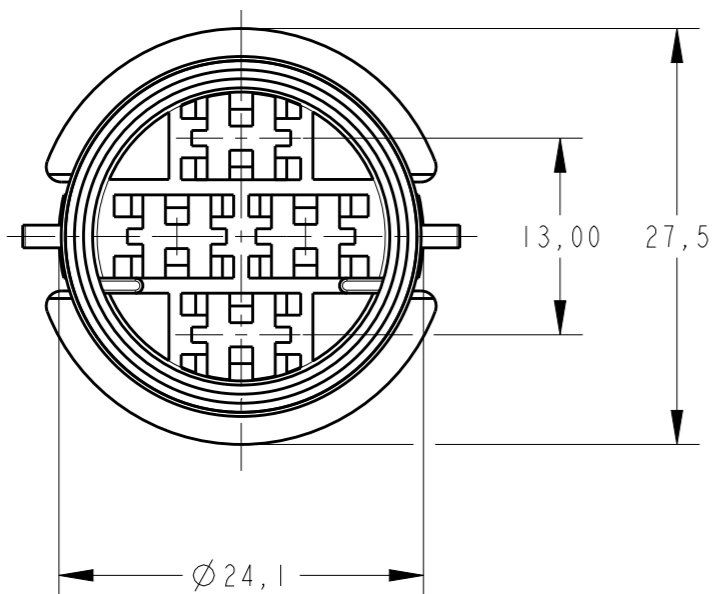


creo  
Creo Parametric 3.0  
DO NOT REVISE  
EXCEPT BY CAD

REVISIONS

| P | LTR | DESCRIPTION                 | DATE      | DWN | APVD |
|---|-----|-----------------------------|-----------|-----|------|
|   | A3  | REDRAW BY CAD ECO-16-012742 | 01FEB2017 | NCL | DAO  |



1 - OBSOLETE PARTS: OBSOLETE CIS STREAMLINING PER D.RENAUD/D.SINISI

2 - DIMENSÕES NÃO ENCONTRADAS DEVEM SER OBTIDAS DO CAD 3D DA PEÇA, DEVENDO-SE EMPREGAR O VALOR DA TOLERÂNCIA LINEAR COM UMA CASA DECIMAL, MOSTRADO NA TABELA DE TOLERÂNCIA GERAL NESTE DESENHO.

2 - NOT FOUND DIMENSIONS MUST BE GOTTEN FROM THE PART 3D CAD DATABASE AND MUST BE USED THE VALUE OF THE LINEAR TOLERANCE WITH ONE DECIMAL PLACE, SHOWN IN THE TOLERANCE TABLE ON THIS DRAWING.

| OBSOLETE      |    |    |    |    |    |    |    |  |      |
|---------------|----|----|----|----|----|----|----|--|------|
| REQ. PER ASSY |    |    |    |    |    |    |    |  | ITEM |
| -8            | -7 | -6 | -5 | -4 | -3 | -2 | -1 |  |      |
|               |    |    |    |    |    |    |    |  | 2    |

| VW PART NUMBER  | REQ. PER ASSY | DESCRIPTION                  | MATERIAL           | FINISH         |
|-----------------|---------------|------------------------------|--------------------|----------------|
|                 |               | O'RING                       | NEOPRENE/NITRILICA | PRETO/BLACK    |
| 813 971 958 - G | - - - - -     | 4 WAY .250 FASTIN-ON TAB HSG | PA 6.6             | CINZA/GRAY     |
| 813 971 958 - F | -   - - - - - | 4 WAY .250 FASTIN-ON TAB HSG | PA 6.6             | VERDE/GREEN    |
| 813 971 958 - E | - -   - - - - | 4 WAY .250 FASTIN-ON TAB HSG | PA 6.6             | BRANCO/WHITE   |
| 813 971 958 - D | - - -   - - - | 4 WAY .250 FASTIN-ON TAB HSG | PA 6.6             | AZUL/BLUE      |
| 813 971 958 - C | - - - -   - - | 4 WAY .250 FASTIN-ON TAB HSG | PA 6.6             | AMARELO/YELLOW |
| 813 971 958 - B | - - - - -   - | 4 WAY .250 FASTIN-ON TAB HSG | PA 6.6             | VERMELHO/RED   |
| 813 971 958 - A | - - - - - -   | 4 WAY .250 FASTIN-ON TAB HSG | PA 6.6             | MARROM/BROWN   |
| 813 971 958     | - - - - - - - | 4 WAY .250 FASTIN-ON TAB HSG | PA 6.6             | PRETO/BLACK    |

THIS DRAWING IS A CONTROLLED DOCUMENT.

DWN: NCLAPRESA 31 JAN 2017  
 CHK: FORTUNATO 31 JAN 2017  
 APVD: DAOLIVEIRA 31 JAN 2017

DIMENSIONS: mm  
 TOLERANCES UNLESS OTHERWISE SPECIFIED:  
 0 PLC ±  
 1 PLC ±0,3  
 2 PLC ±0,2  
 3 PLC ±  
 4 PLC ±  
 ANGLES ±1°

MATERIAL: SEE TABLE  
 FINISH: -

CUSTOMER DRAWING

**STE** TE Connectivity

NAME: 4 WAY 250 FASTIN-ON TAB HSG ASSY

SIZE: A3 CAGE CODE: - DRAWING NO: C-881208 RESTRICTED TO: -

SCALE: 1:1 SHEET: 1 OF 1 REV: A3