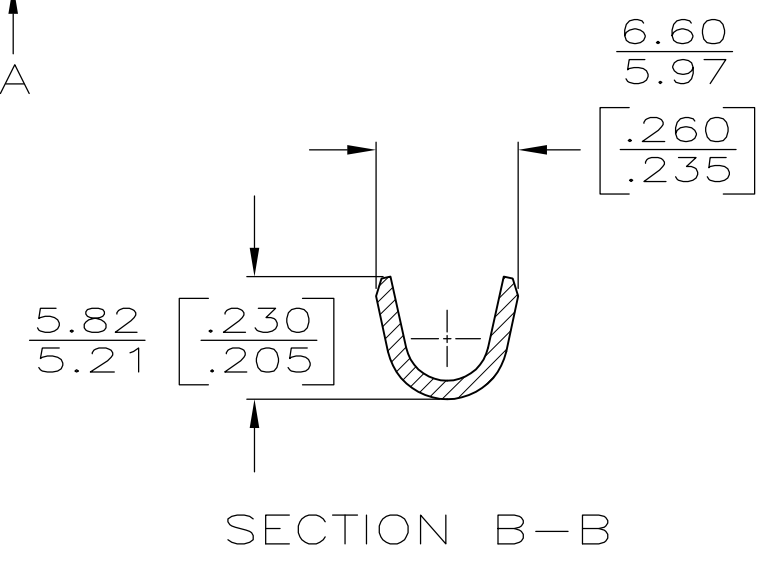
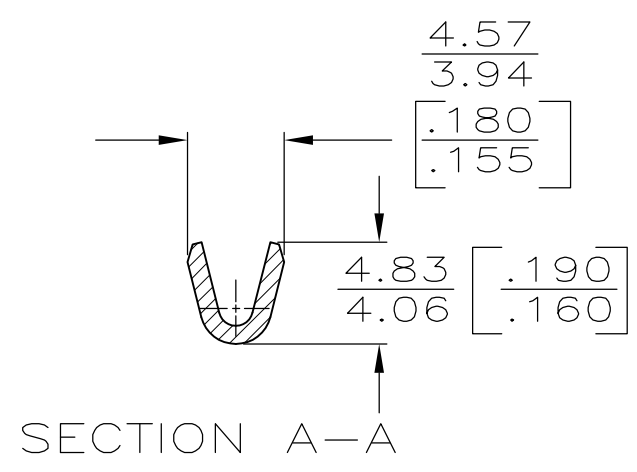
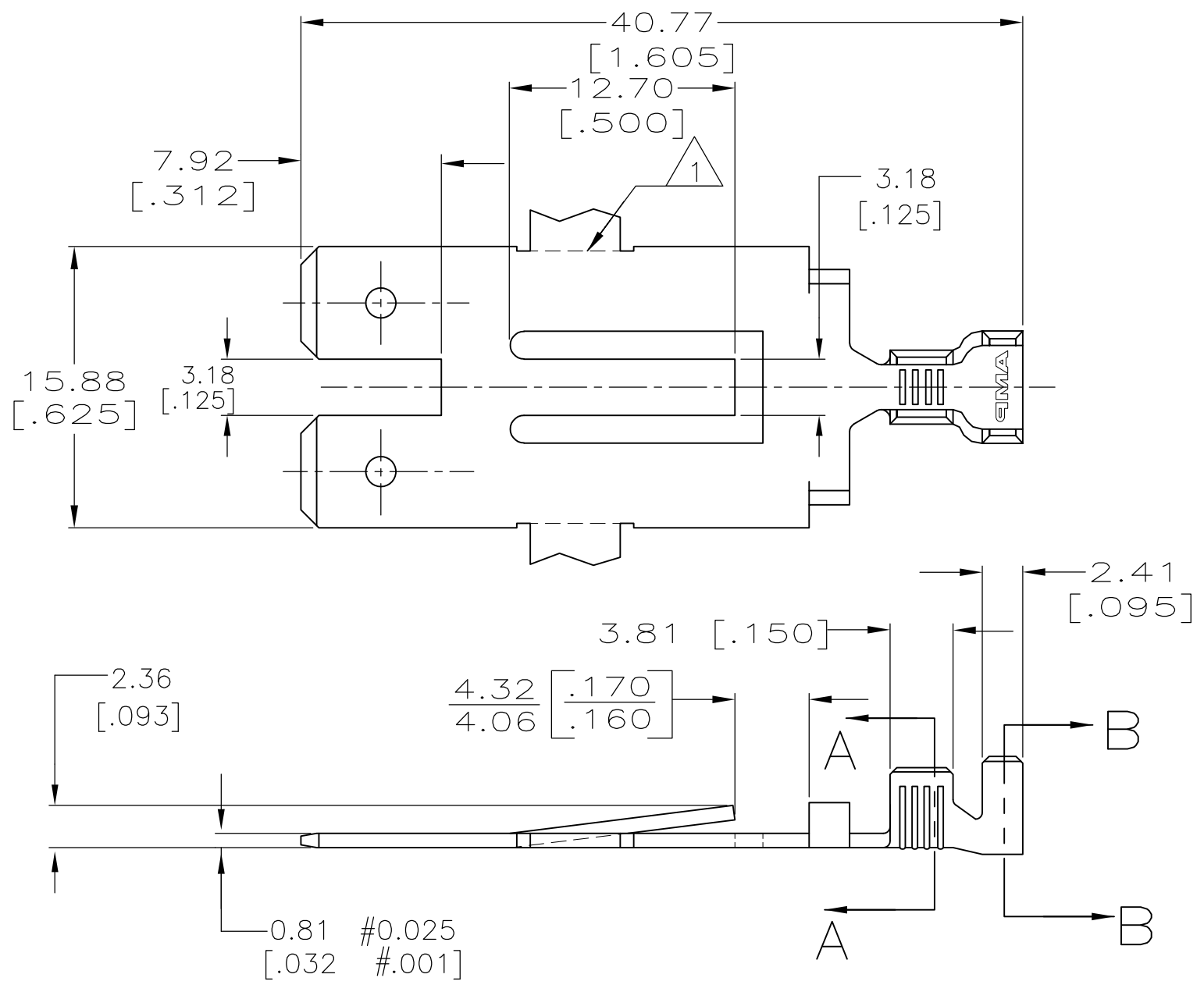


THIS DRAWING IS UNPUBLISHED. RELEASED FOR PUBLICATION
 © COPYRIGHT - By - ALL RIGHTS RESERVED.

| LOC | DIST | REVISIONS | | | |
|-----|------|-------------|---------------------------|-----------|-------|
| P | LTR | DESCRIPTION | DATE | DWN | APVD |
| AF | 50 | L | REVISED PER ECR-13-005733 | 29AUG2013 | KH PD |

1 CUT-OFF TAB TO BE FLUSH TO .005 BELOW EDGE OF TERMINAL.



| | | |
|----------------------------------|-------------|----------|
| 3.05-4.32 DIA [.120-.170] DIA | #18-#14 AWG | 61851-1 |
| INSULATION RANGE | WIRE SIZE | PART NO. |

| | | | | | |
|---------------------------------------------------------------------------------------|-------|------------------|-------------|------------------|-------------------------------------------------------------------------------------------|
| THIS DRAWING IS A CONTROLLED DOCUMENT. | | DWN | JR RUTH | 2/10/95 | TE Connectivity NAME TAB, FASTIN-FASTON, 6.35 [.250] SERIES (SPECIAL DOUBLE TAB) |
| DIMENSIONS: mm [INCHES] | | CHK | MS FEHER | 2/10/95 | |
| TOLERANCES UNLESS OTHERWISE SPECIFIED: | | APVD | J GILLESPIE | 2/10/95 | |
| 0 PLC ± - 1 PLC ± - 2 PLC ± 0.38 [.015] 3 PLC ± - 4 PLC ± - ANGLES ± - | | PRODUCT SPEC | - | - | |
| MATERIAL | BRASS | FINISH | TIN | APPLICATION SPEC | - |
| | | WEIGHT | - | SIZE | A3 |
| | | CUSTOMER DRAWING | | CAGE CODE | 00779 |
| | | | | DRAWING NO | C-61851 |
| | | | | RESTRICTED TO | - |
| | | | | SCALE | 3:1 |
| | | | | SHEET | 1 OF 1 |
| | | | | REV | L |