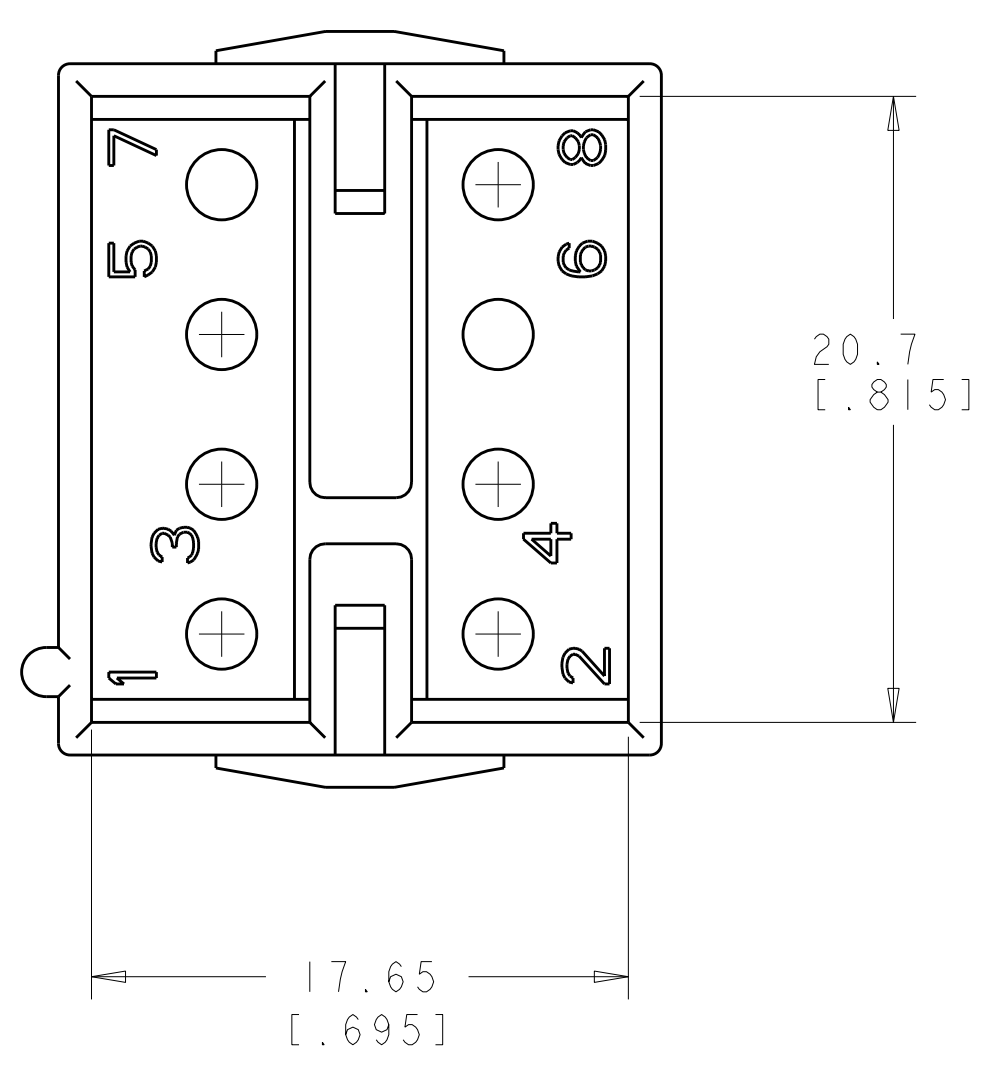
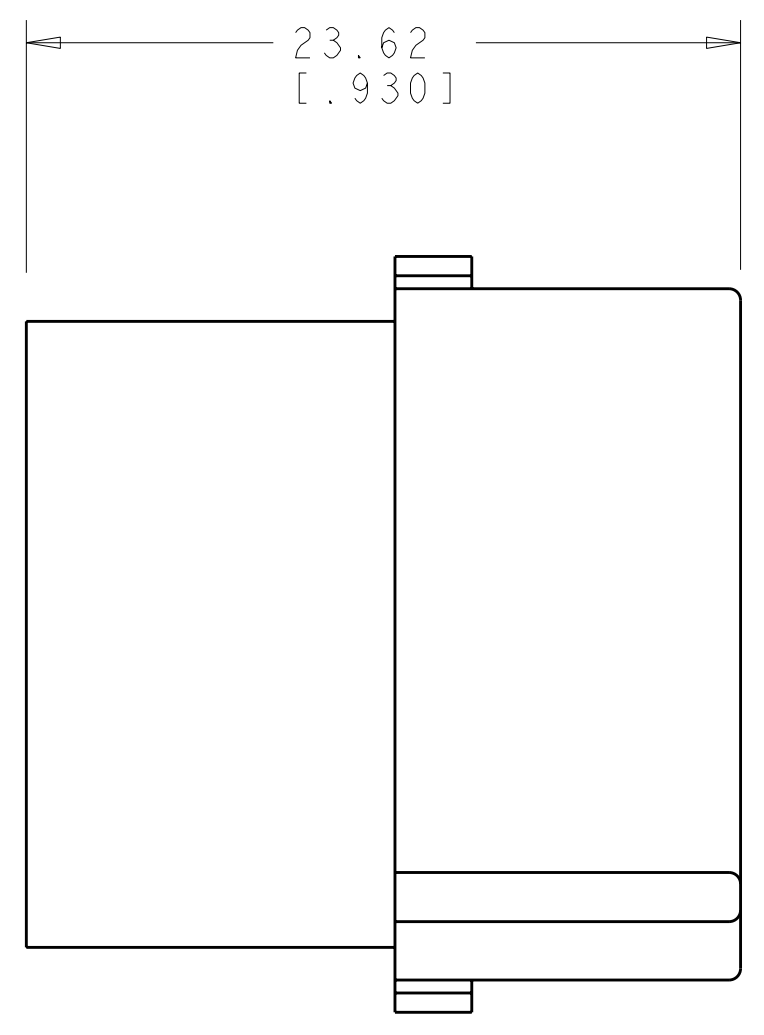
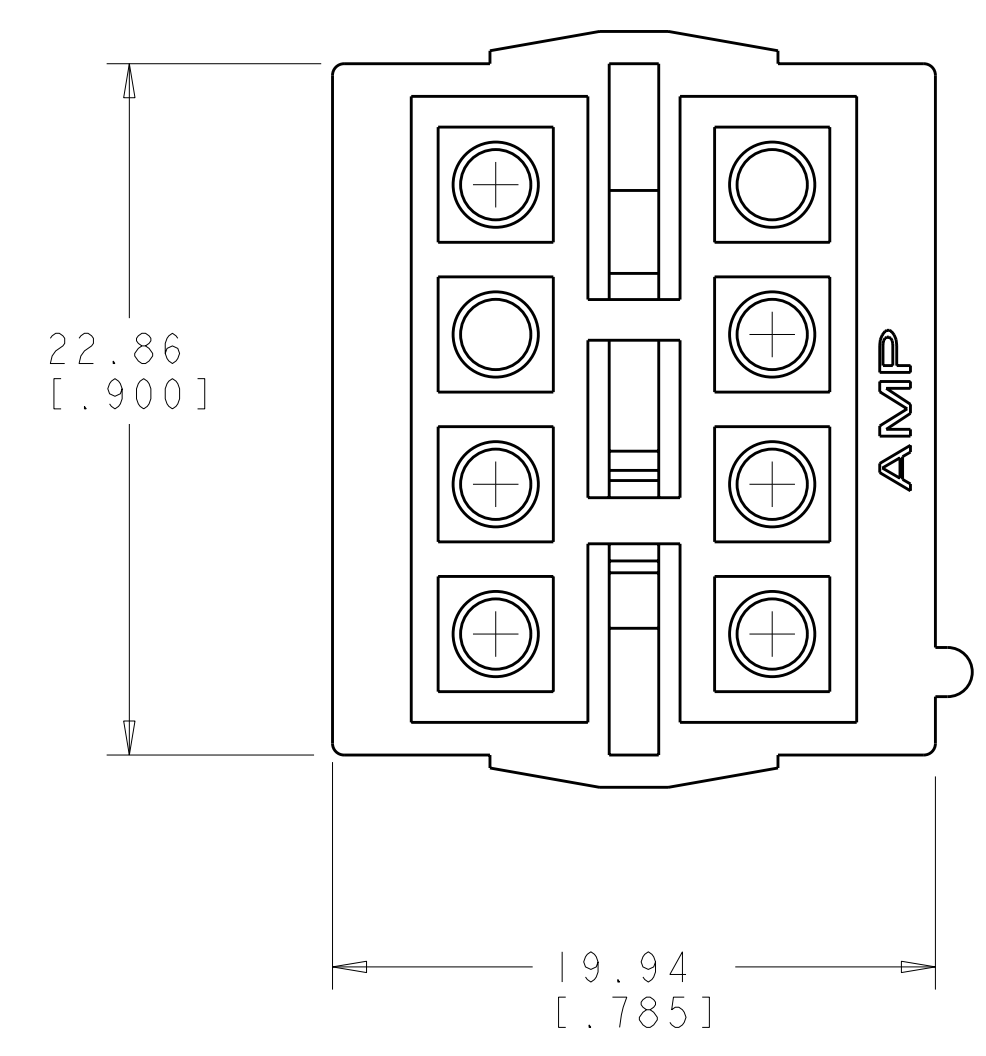
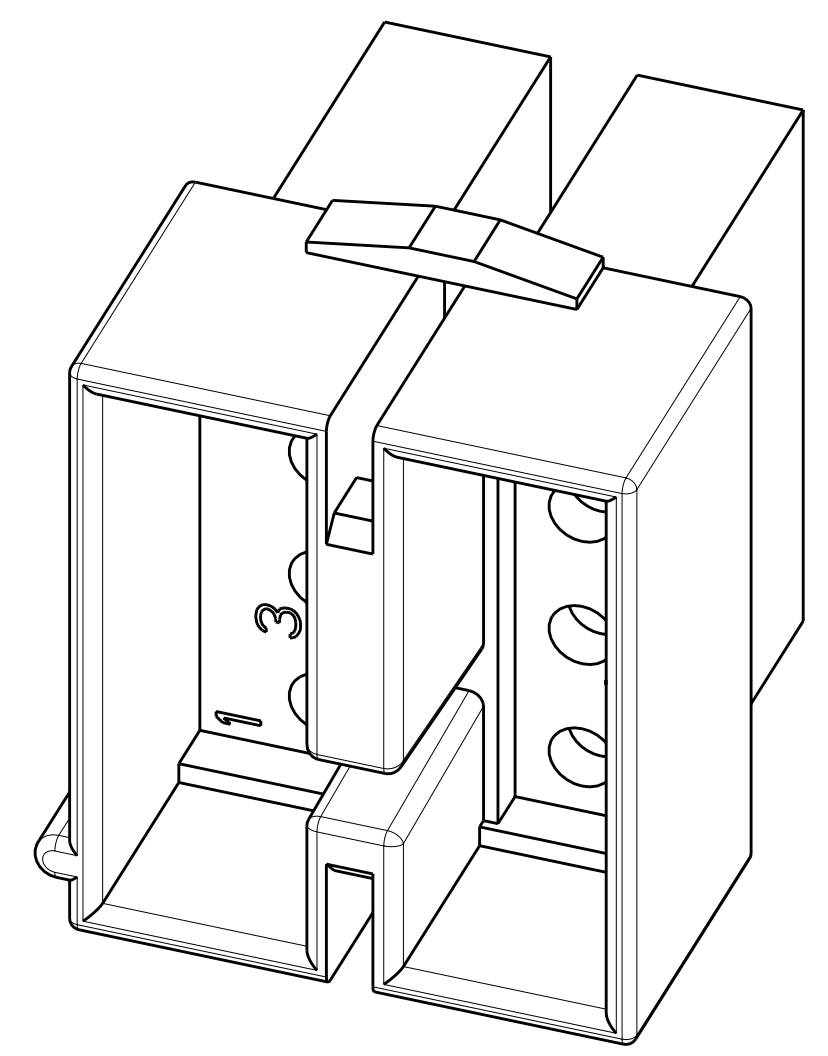
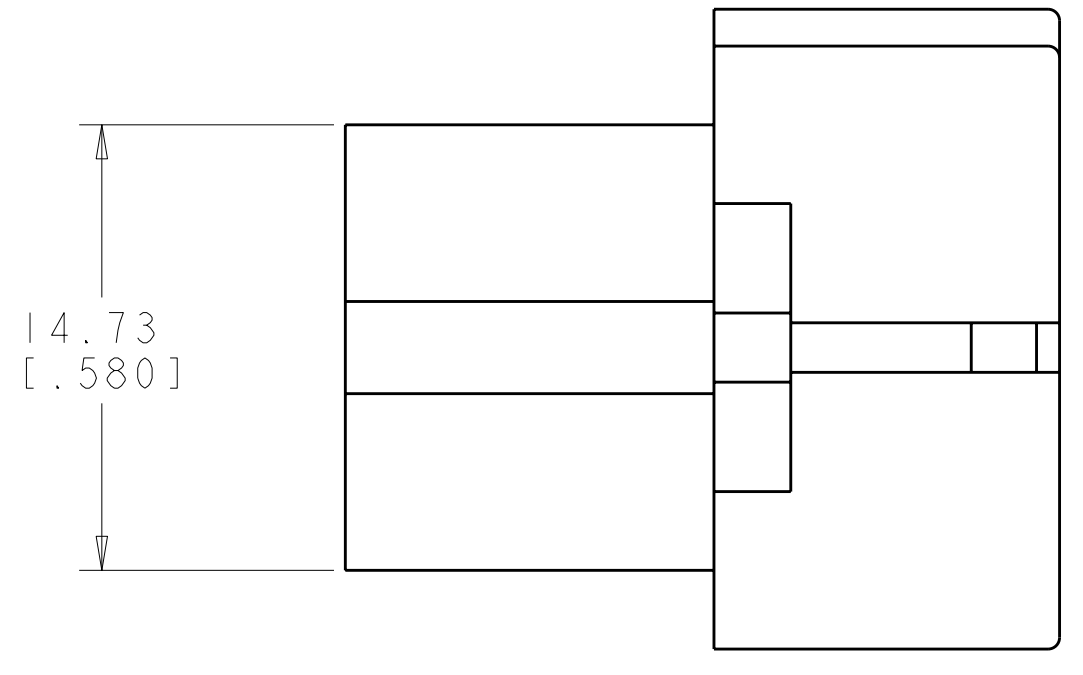


LOC	DIST	REVISIONS					
CM	00	P	LTB	DESCRIPTION	DATE	DWN	APVD
		HI		REVISED PER ECO-08-031693	19DEC2008	HMR	CC



1. PART MATES WITH PLUG 480283.
2. TO BE USED WITH COMMERCIAL MATE-N-LOK™ PINS.



0.24 IN <sup>3</sup>	1-480345-0
VOLUME	PART NUMBER

**METRIC**

<small>THIS DRAWING IS UNPUBLISHED. RELEASED FOR PUBLICATION BY TYCO ELECTRONICS CORPORATION. ALL RIGHTS RESERVED.</small>		DWN: R. WHITAKER 20DEC2007 CHK: C. CASH 20DEC2007 APVD: C. CASH 20DEC2007	Tyco Electronics Harrisburg, PA 17105-3608
DIMENSIONS: mm [ INCHES ]	TOLERANCES UNLESS OTHERWISE SPECIFIED: 9 PLC ± 1 PLC ± 2 PLC ±0.13 (1.005) 3 PLC ± 4 PLC ± ANGLES ±40° 30'	NAME: CAP. 8 CIRCUIT, COMMERCIAL MATE-N-LOK (TM) PRODUCT SPEC: APPLICATION SPEC: WEIGHT:	SIZE: A   00779   C=480345 DRAWING NO: 480345-0 RESTRICTED TO:
MATERIAL: NYLON, UL 94V-2 NATURAL FINISH:	CUSTOMER DRAWING	SCALE: 4:1	SHEET: 1 OF 1 REV: H1