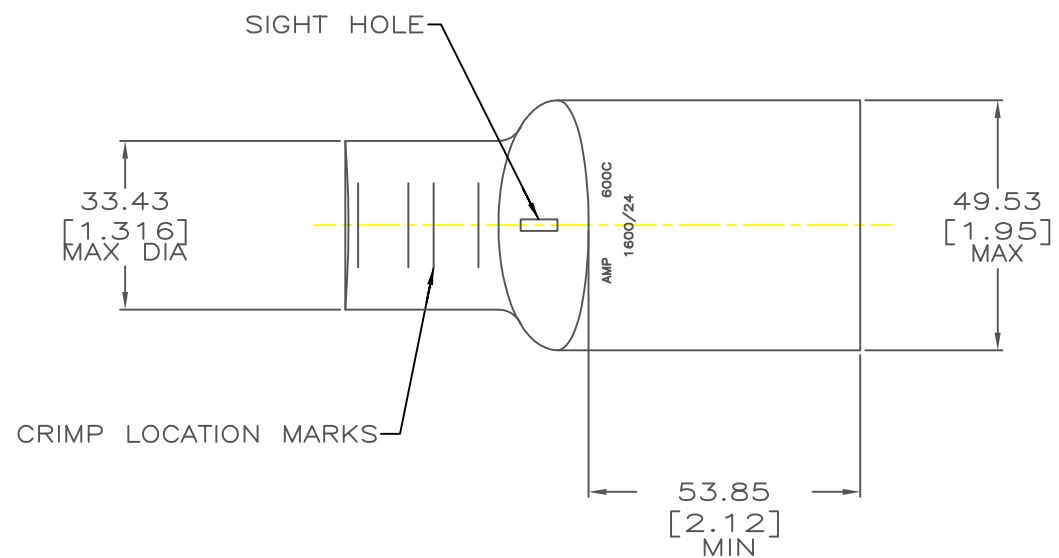


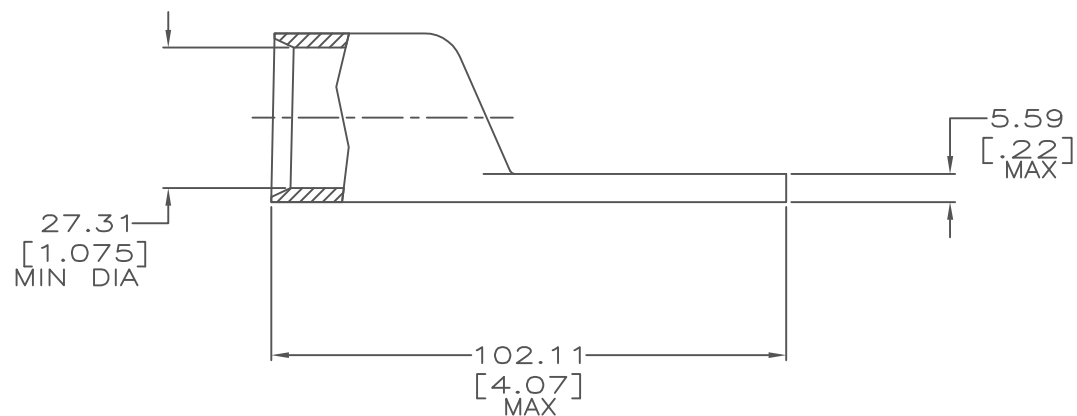
DRAWING MADE IN THIRD ANGLE PROJECTION

THIS DRAWING IS UNPUBLISHED. RELEASED FOR PUBLICATION .19  
 © COPYRIGHT 19 BY AMP INCORPORATED. ALL INTERNATIONAL RIGHTS RESERVED.

LOC	DIST	P	F	ZONE	LTR	DESCRIPTION	DATE	APPD
G	86				K	ECR-17-006035	01jun2017	MS



1 CIRCULAR MIL RANGE: 550-650 MCM



326211

1-326211-1

PART NO

DO NOT SCALE PRINT.  
 UNLESS SPECIFIED  
 DIMENSIONS IN mm [INCHES]  
 TOLERANCES ON :  
 2 PLC DEC ± 0.51[.020]  
 3 PLC DEC ± -  
 ANGLES ± -

DR 9/17/91  
 DK SCHRUM

CHK 9/17/91  
 AJ KAUFMAN

APPD 9/18/91  
 WJ VOCKROTH

APPD 9/18/91  
 AJ ADELMANN

MATERIAL  
 ANNEALED COPPER  
 ASTM B-75

FINISH  
 CLEANED

APPLICATION SPEC  
 -

WEIGHT .498 LB

NAME

AMP AMP INCORPORATED  
 Harrisburg, Pa. 17105  
 TERMINAL, AMPPOWER<sup>SM</sup>  
 WIRE SIZE: 304.0mm<sup>2</sup>[600]MCM

SIZE C CAGE CODE 00779 DRAWING NO 326211

SCALE 1:1 SHEET 10F 1

METRIC