

THIS DRAWING IS UNPUBLISHED.

RELEASED FOR PUBLICATION

,19

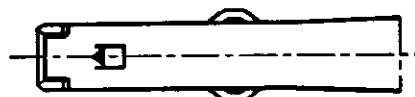
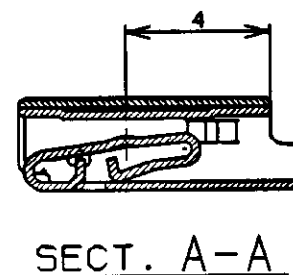
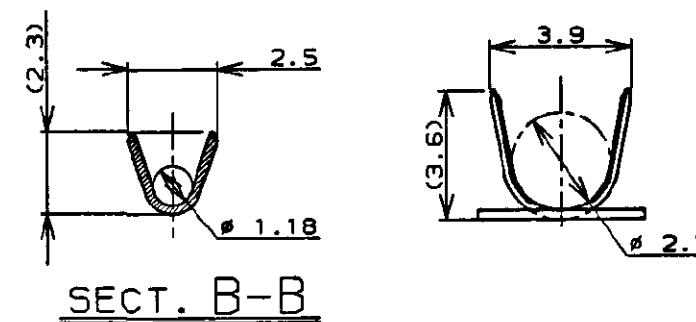
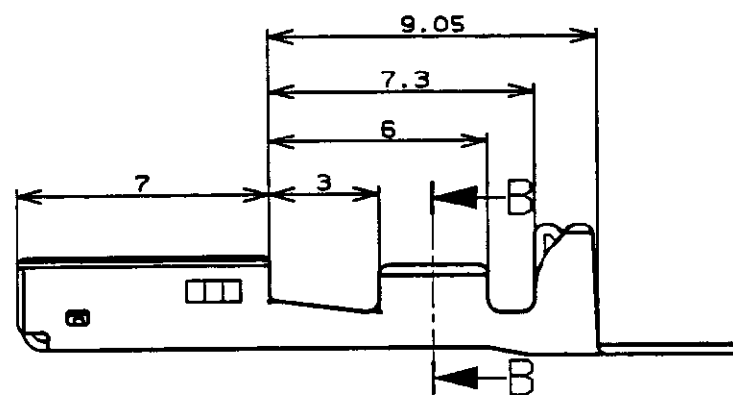
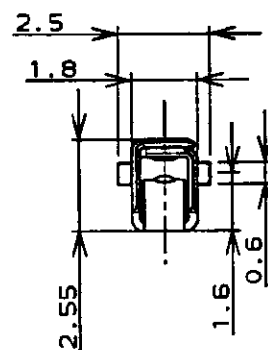
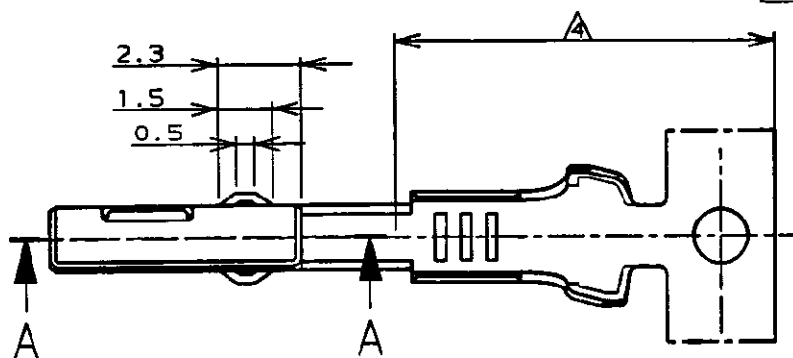
© COPYRIGHT 19

BY AMP INCORPORATED. ALL RIGHTS RESERVED.

LOC J  
DIST -

REVISIONS

P	LTR	DESCRIPTION	ECN	DATE	DWN	APVD
0		DRAWN	FJ00-4529-96	4/24 '96	224	MC

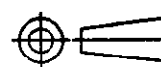


注記;  
1. 適用電線; AVSS, CAVS 0.3-0.5mm<sup>2</sup>

NOTES,  
1. APPLICABLE WIRE RANGE,  
AVSS, CAVS 0.3-0.5mm<sup>2</sup>

THIS DRAWING IS A CONTROLLED DOCUMENT FOR AMP INCORPORATED. IT IS SUBJECT TO CHANGE AND THE CONTROLLING ENGINEERING ORGANIZATION SHOULD BE CONTACTED FOR THE LATEST REVISION.

DIMENSIONS:  
單位: 毫米  
mm



TOLERANCES UNLESS OTHERWISE SPECIFIED

一般公差  
10% ±0.2  
30% ±0.25  
100% ±0.3  
ANGLE: ±3°

MATERIAL  
材料  
Cu ALLOY  
銅合金

FINISH  
仕上  
SEE TABLE  
表参照

DWN 11.4/24 '96  
CHK 7. Kobayashi 4/25 '96  
APVD Ch. S. 25/4/96  
PRODUCT SPEC  
製品規格  
- H -  
APPLICATION SPEC  
取付適用規格  
114-5227  
WEIGHT  
0.3g  
CUSTOMER DRAWING

PRE-TIN (すずめっき済)	316832-1
FINISH (仕上)	PART NUMBER (型番)
<b>AMP</b> 日本エー・エム・ピー株式会社 Kawasaki, Japan	
.040 III SEALED CONTACT, RECEPTACLE (S) Sn	
SIZE A3	CAGE CODE 00779
DRAWING NO C=316832	
SCALE 尺度 5-1	SHEET 1 OF 1
REV 0	