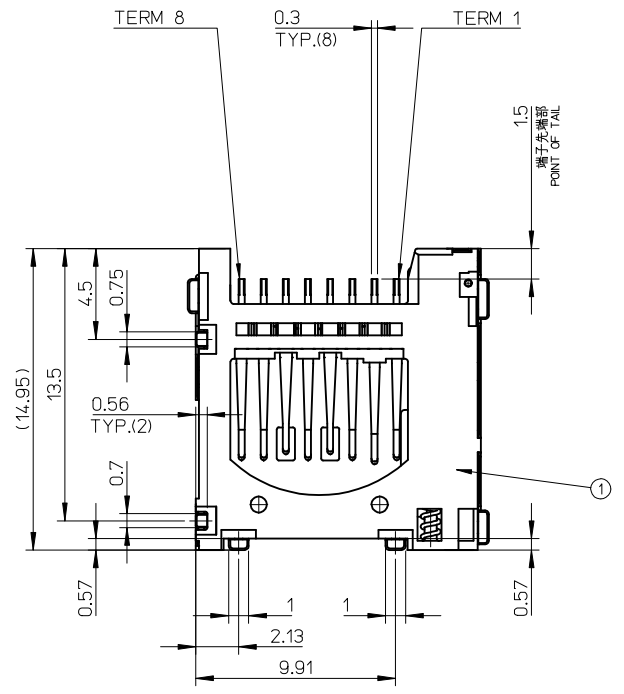


- TERM 1: DATA2
- TERM 2: CD/DAT3
- TERM 3: CMD
- TERM 4: vdd
- TERM 5: CLK
- TERM 6: vss
- TERM 7: DAT0
- TERM 8: DAT1

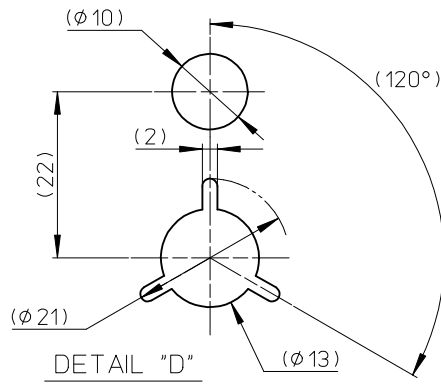
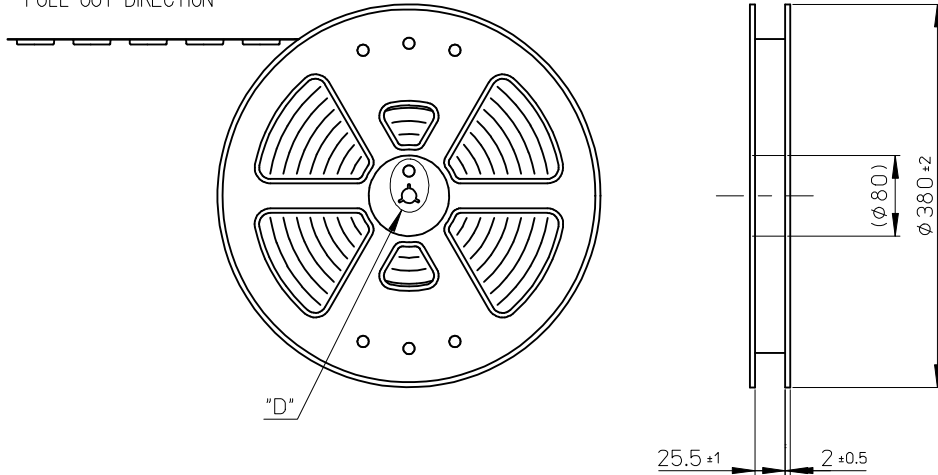


|                  |              |             |
|------------------|--------------|-------------|
| 503182-0852      | 503182-0842  | 503182-08** |
| EMBOSSED TAPE    | MATERIAL NO. | MODEL NO.   |
| ORDER No. オーダー番号 |              |             |

|  |                                       |   |  |                                    |              |   |  |
|--|---------------------------------------|---|--|------------------------------------|--------------|---|--|
| RELEASED<br>EC NO: J2009-2810<br>DRWN:YNAITO 2009/06/15<br>CHKD:MTOMITA 2009/06/15<br>APPR:MSASAO 2009/06/15 | GENERAL TOLERANCES (UNLESS SPECIFIED) |   | DIMENSION STYLE                                      | SCALE                              | DESIGN UNITS | THIRD ANGLE PROJECTION                          |  |
|  | 10 UNDER ±0.2                         |   | MM ONLY  | 4:1                                | METRIC       |   |  |
|  | 10 OVER 30 UNDER ±0.25                |   | 30 OVER ±0.3   | DRAWN BY YNAITO DATE 2009/06/01    |              | TITLE   |  |
|  | ANGULAR ±1 °                          |   | DRAFT WHERE APPLICABLE MUST REMAIN WITHIN DIMENSIONS | CHECKED BY MTOMITA DATE 2009/06/01 |              | MICRO SD CONN. NORMAL<br>ULTRA LOW-PROFILE ASSY |  |
| APPROVED BY MSASAO DATE 2009/06/01   |                                       | MATERIAL NO.  |  | MOLEX MOLEX INCORPORATED           |              | SHEET NO.                                       |  |
| SEE CHART  |                                       | THIS DRAWING CONTAINS INFORMATION THAT IS PROPRIETARY TO MOLEX INCORPORATED AND SHOULD NOT BE USED WITHOUT WRITTEN PERMISSION |  | DOCUMENT NO. SD-503182-003         |              | 1 OF 2  |  |

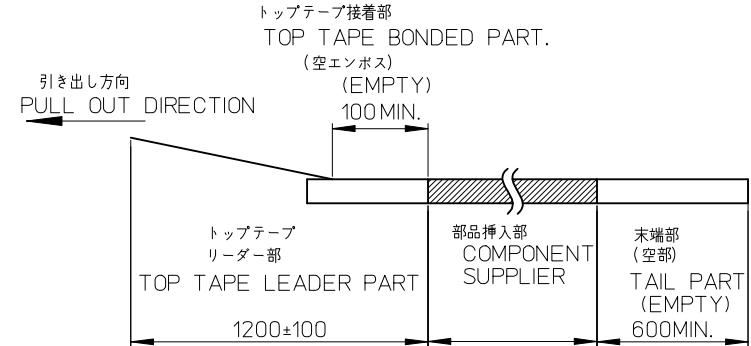


引き出し方向  
PULL OUT DIRECTION



NOTES

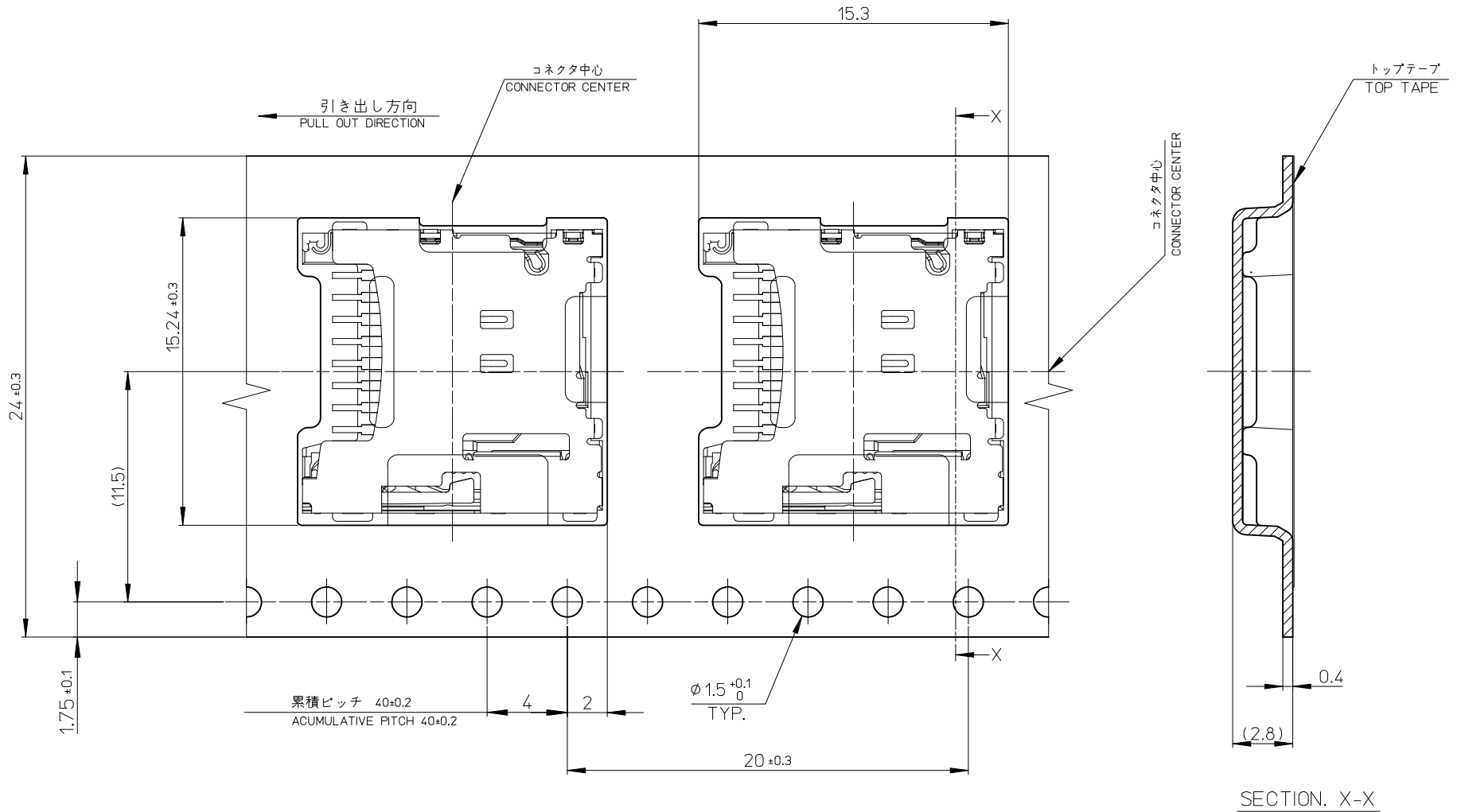
- 製品詳細寸法は製品単体図面を参照して下さい。  
FOR DETAIL OF CONNECTOR DIMENSIONS, PLEASE SEE THE DRAWING OF CONNECTOR ITSELF (NOT PACKAGED).
- 梱包数量: 1600個/リール  
NUMBER OF CONNECTORS: 1600 PCS/REEL.
- リードテープ長さ LEAD TAPE LENGTH.



- 材料 MATERIAL  
キャリアテープ(CARRIER TAPE): ポリスチレン (POLYSTYRENE)  
トップテープ(TOP TAPE): PET, PE, PEF  
リール(REEL): ポリスチレン(PS)<リサイクル材含む>  
POLYSTYRENE (PS)<RECYCLE MATERIAL CONTAINED>
- ELV AND RoHS COMPLIANT

|                  |                        |             |
|------------------|------------------------|-------------|
| 503182-0842      | 503182-0852            | 503182-08** |
| CONNECTOR ONLY   | MATERIAL NO.           | MODEL NO.   |
| ORDER No. オーダー番号 | THIRD ANGLE PROJECTION |             |

|  |                                       |  |                            |                    |   |                        |                        |
|--|---------------------------------------|--|----------------------------|--------------------|---|------------------------|------------------------|
| RELEASED<br>EC NO.: J2009-2810<br>DRWN: YNAITO 2009/06/15<br>CHKD: MTOMITA 2009/06/15<br>APPR: MSASAO 2009/06/15 | GENERAL TOLERANCES (UNLESS SPECIFIED) |  | DIMENSION STYLE<br>MM ONLY |                    | SCALE<br>---  | DESIGN UNITS<br>METRIC | THIRD ANGLE PROJECTION |
|  | 10 UNDER                              | ± 0.2  | DRAWN BY<br>YNAITO         | DATE<br>2009/06/01 | TITLE<br>MICRO SD CONN.<br>ULTRA LOW-PRO<br>EMBOSSED TAPE PACKAGE   |                        |                        |
|  | 10 OVER 30 UNDER                      | ± 0.25   | CHECKED BY<br>MTOMITA      | DATE<br>2009/06/01 | MOLEX INCORPORATED  |                        |                        |
|  | 30 OVER                               | ± 0.3  | APPROVED BY<br>MSASAO      | DATE<br>2009/06/01 | DOCUMENT NO.<br>SD-503182-004   | SHEET NO.<br>1 OF 2    |                        |
| A  | ANGULAR ± 1 °                         | DRAFT WHERE APPLICABLE MUST REMAIN WITHIN DIMENSIONS |                            | SIZE<br>A3         | THIS DRAWING CONTAINS INFORMATION THAT IS PROPRIETARY TO MOLEX INCORPORATED AND SHOULD NOT BE USED WITHOUT WRITTEN PERMISSION |                        |                        |



|   |  |        |   |                    |  |                               |                        |  |
|---|--|--------|---|--------------------|--|-------------------------------|------------------------|--|
| SEE SHEET 1 OF 2<br>EC NO: J2009-2810<br>DRWN: YNAITO 2009/06/15<br>CHKD: MTOMITA 2009/06/15<br>APPR: MSASAO 2009/06/15 | GENERAL TOLERANCES (UNLESS SPECIFIED)                |        | DIMENSION STYLE<br><b>MM ONLY</b>   |                    | SCALE<br><b>5:1</b>  | DESIGN UNITS<br><b>METRIC</b> | THIRD ANGLE PROJECTION |  |
|   | 10 UNDER   | ± 0.2  | DRAWN BY<br>YNAITO  | DATE<br>2009/06/01 | TITLE<br><b>MICRO SD CONN.<br/>                 ULTRA LOW-PRO<br/>                 EMBOSSED TAPE PACKAGE</b> |                               |                        |  |
|   | 10 OVER 30 UNDER                                     | ± 0.25 | CHECKED BY<br>MTOMITA   | DATE<br>2009/06/01 | <b>MOLEX INCORPORATED</b>  |                               |                        |  |
|   | 30 OVER  | ± 0.3  | APPROVED BY<br>MSASAO   | DATE<br>2009/06/01 | MATERIAL NO.<br>SEE SHEET 1 OF 2   | DOCUMENT NO.<br>SD-503182-004 | SHEET NO.<br>2 OF 2    |  |
| ANGULAR ± 1 °   | DRAFT WHERE APPLICABLE MUST REMAIN WITHIN DIMENSIONS |        | THIS DRAWING CONTAINS INFORMATION THAT IS PROPRIETARY TO MOLEX INCORPORATED AND SHOULD NOT BE USED WITHOUT WRITTEN PERMISSION |                    |  |                               |                        |  |