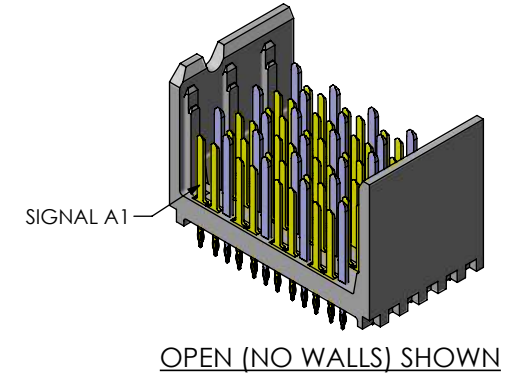
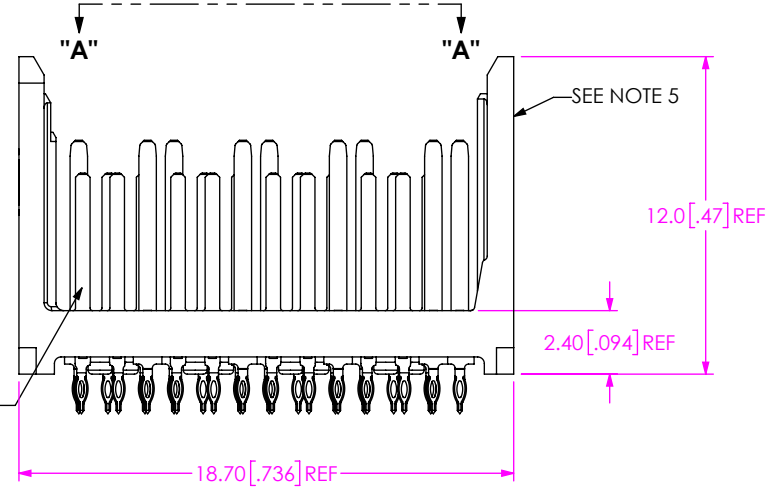
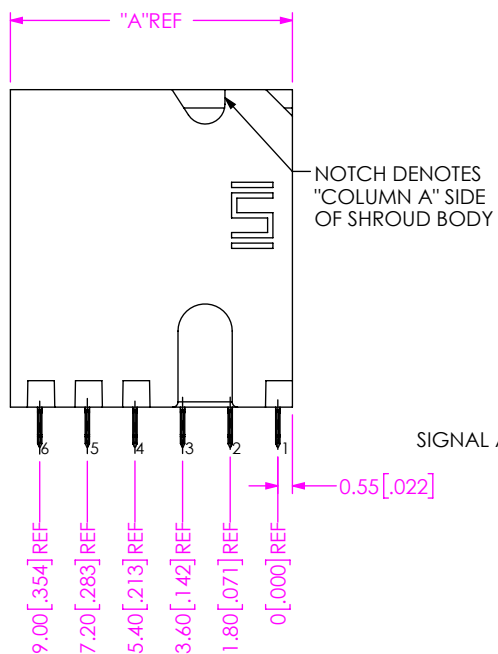
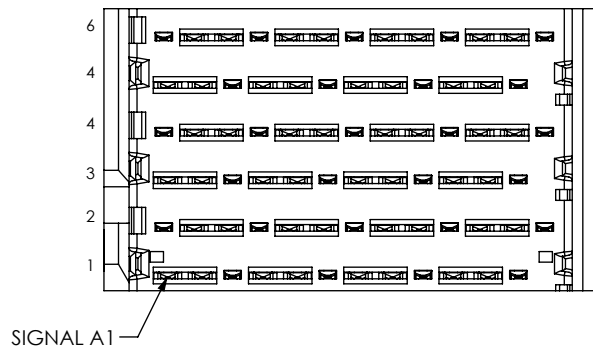


DO NOT SCALE FROM THIS PRINT

HDTM-4-XX-X-X-VT-X-X

- PAIRS PER COLUMN -4
- No. OF COLUMNS -04  
-06  
-08
- COMPLIANT TAIL SIZE  
-1: 0.0177" DRILL  
-2: 0.0217" DRILL
- PLATING  
-S: 30µ" SELECTIVE GOLD IN CONTACT AREA, MATTE TIN ON TAIL
- ORIENTATION  
-VT: VERTICAL
- SIDE WALL OPTIONS  
-0: OPEN (NO WALLS)  
-1: LEFT SIDE WALL (SEE FIG 2, SHT 4)  
-2: RIGHT SIDEWALL (SEE FIG 3, SHT 4)

- STAGE COMBINATIONS
- 1: 3mm WIPE SIGNAL / 4mm WIPE GROUND
  - 2: 2mm WIPE SIGNAL / 4mm WIPE GROUND
  - 3: 3mm WIPE SIGNAL / 3mm WIPE GROUND
  - 4: 2mm WIPE SIGNAL / 3mm WIPE GROUND
  - 5: 2mm WIPE SIGNAL / 2mm WIPE GROUND



**TABLE 1**

COLUMNS	"A"
-04	7.1 [0.28]
-06	10.7 [0.42]
-08	14.3 [0.56]

FIG 1  
OPEN (NO WALL) OPTION  
(HDTM-4-06-1-X-VT-0-X SHOWN)

- NOTES:
1. MINIMUM PUSHOUT FORCE: 2.22N.
  2. NOTE DELETED.
  3. CONTACT SAMTEC FOR CONNECTOR PRESS FIT INSTRUCTIONS AND REQUIRED FIXTURES.
  4. TRAYS TO BE STANDARD PACKAGING.
  5. MARK SAMTEC P/N AND DATE CODE ON THIS SURFACE.


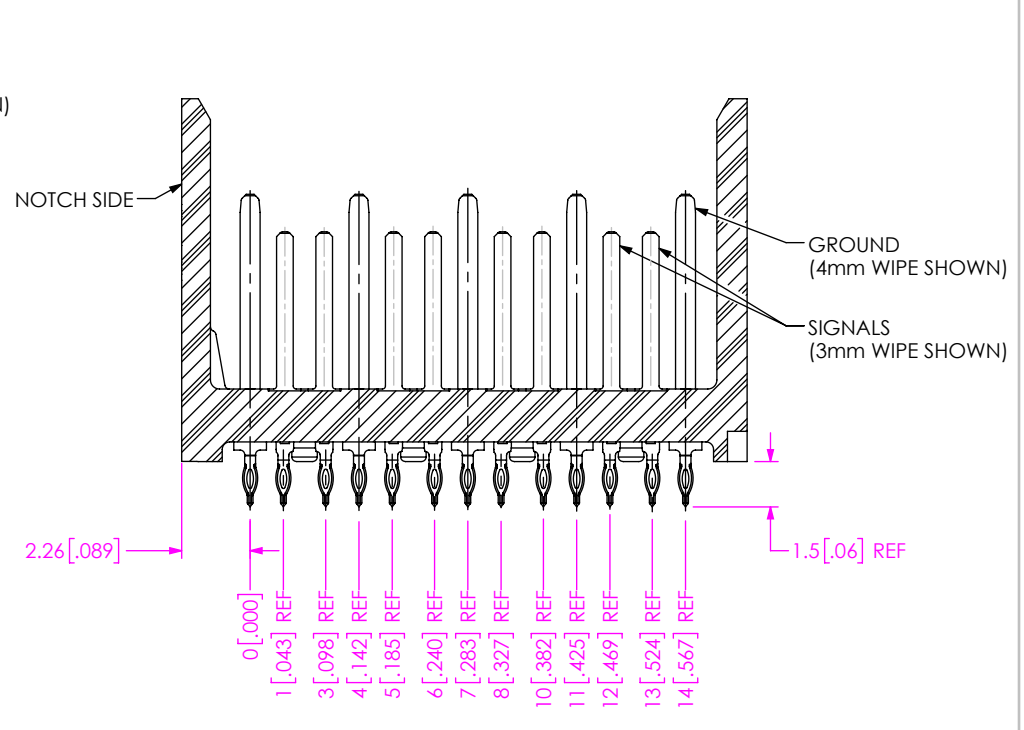
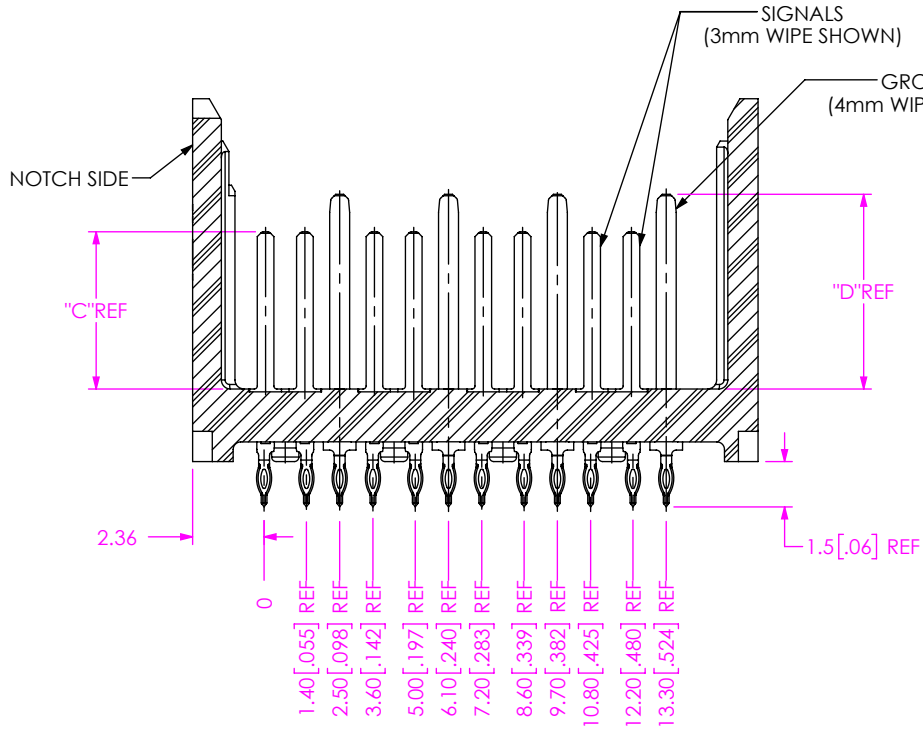
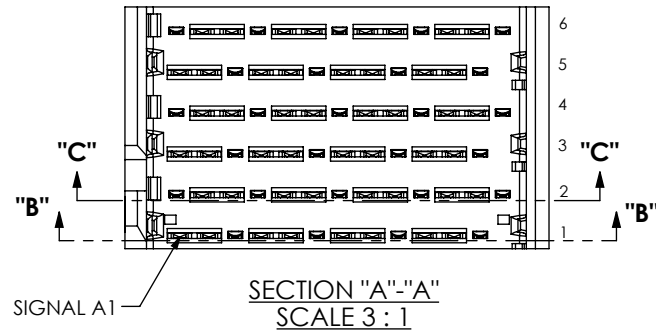
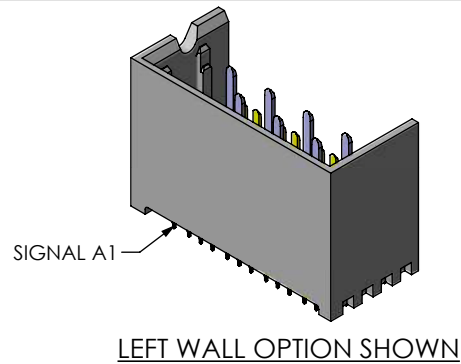
UNLESS OTHERWISE SPECIFIED, DIMENSIONS ARE IN MILLIMETERS TOLERANCES ARE: DECIMALS                      ANGLES X.X: ±0.3                              2° X.XX: ±0.13 X.XXX: ±0.051	PROPRIETARY NOTE THIS DOCUMENT CONTAINS CONFIDENTIAL AND PROPRIETARY INFORMATION AND ALL DESIGN, MANUFACTURING, REPRODUCTION, USE, PATENT RIGHTS AND SALES RIGHTS ARE EXPRESSLY RESERVED BY SAMTEC, INC. THIS DOCUMENT SHALL NOT BE DISCLOSED, IN WHOLE OR PART, TO ANY UNAUTHORIZED PERSON OR ENTITY NOR REPRODUCED, TRANSFERRED OR INCORPORATED IN ANY OTHER PROJECT IN ANY MANNER WITHOUT THE EXPRESS WRITTEN CONSENT OF SAMTEC, INC.	 520 PARK EAST BLVD, NEW ALBANY, IN 47150 PHONE: 812-944-6733    FAX: 812-948-5047 e-Mail: info@SAMTEC.com    code 55322
	DO NOT SCALE DRAWING SHEET SCALE: 2:1	

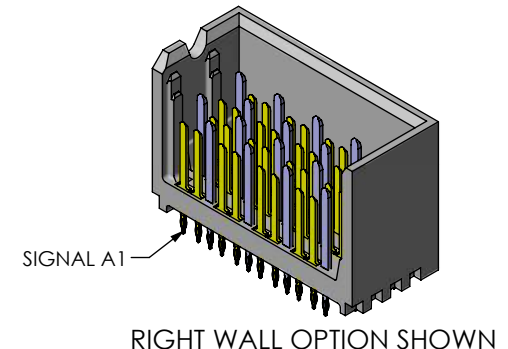
TABLE 2		
STAGE COMBINATIONS	"C"	"D"
-1: (3MM SIG / 4MM GND)	5.2 [0.20]	6.4 [0.25]
-2: (2MM SIG / 4MM GND)	4.2 [0.17]	6.4 [0.25]
-3: (3MM SIG / 3MM GND)	5.2 [0.20]	5.4 [0.21]
-4: (2MM SIG / 3MM GND)	4.2 [0.17]	5.4 [0.21]
-5: (2MM SIG / 2MM GND)	4.2 [0.17]	4.4 [0.17]



<p>DO NOT SCALE DRAWING</p> <p>SHEET SCALE: 2:1</p>	<p><b>PROPRIETARY NOTE</b></p> <p>THIS DOCUMENT CONTAINS CONFIDENTIAL AND PROPRIETARY INFORMATION AND ALL DESIGN, MANUFACTURING, REPRODUCTION, USE, PATENT RIGHTS AND SALES RIGHTS ARE EXPRESSLY RESERVED BY SAMTEC, INC. THIS DOCUMENT SHALL NOT BE DISCLOSED, IN WHOLE OR PART, TO ANY UNAUTHORIZED PERSON OR ENTITY NOR REPRODUCED, TRANSFERRED OR INCORPORATED IN ANY OTHER PROJECT IN ANY MANNER WITHOUT THE EXPRESS WRITTEN CONSENT OF SAMTEC, INC.</p>	<p>520 PARK EAST BLVD, NEW ALBANY, IN 47150 PHONE: 812-944-6733 FAX: 812-948-5047 e-Mail info@SAMTEC.com code 55322</p>
	<p>DESCRIPTION: XCede® HDTM VERTICAL BACKPLANE ASSEMBLY</p> <p>DWG. NO. <b>HDTM-4-XX-X-X-VT-X-X</b></p> <p>BY: KNOWLDEN 9/13/2016 SHEET 2 OF 4</p>	



LEFT WALL OPTION SHOWN



RIGHT WALL OPTION SHOWN

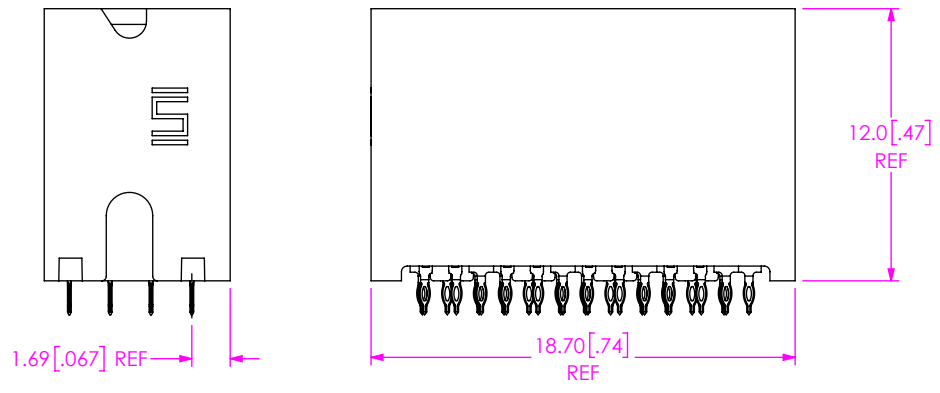
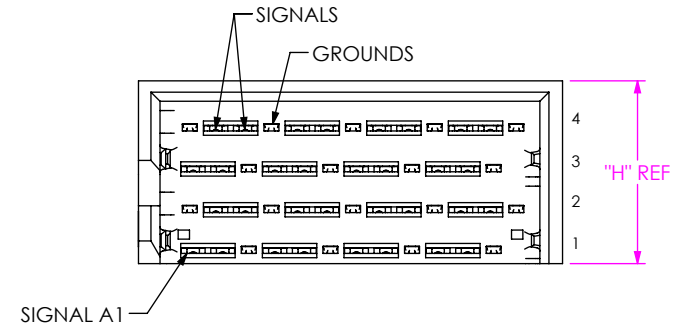
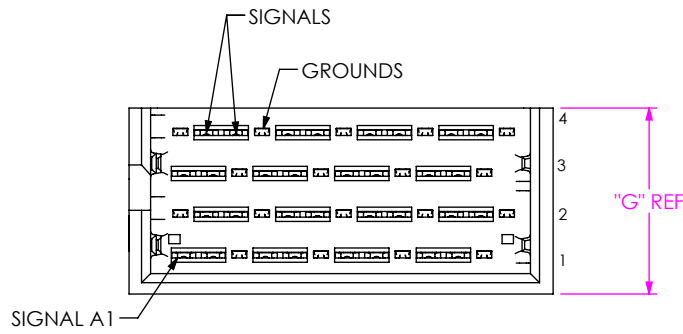


FIG 2  
LEFT WALL OPTION  
(HDTM-4-XX-1-X-VT-1-X SHOWN)  
(SAME AS FIG 1, EXCEPT AS SHOWN)

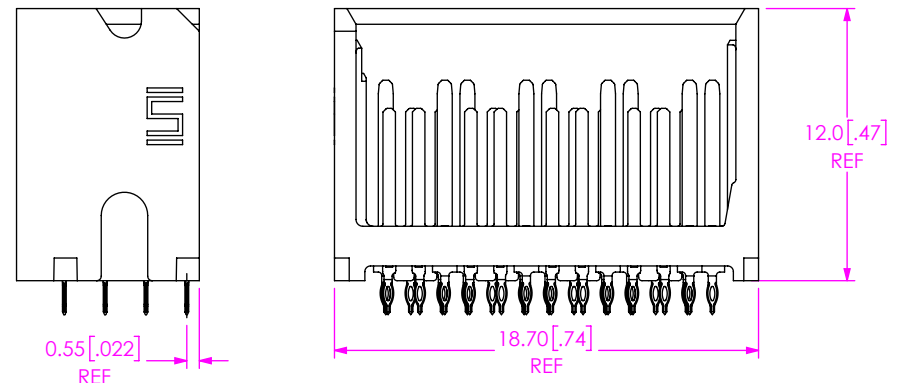


FIG 3  
RIGHT WALL OPTION  
(HDTM-4-XX-1-X-VT-2-X SHOWN)  
(SAME AS FIG 1, EXCEPT AS SHOWN)

TABLE 4		
COLUMNS	"G"	"H"
-04	8.2 [0.32]	8.1 [0.32]
-06	11.8 [0.46]	11.7 [0.46]
-08	15.4 [0.61]	15.3 [0.60]

**PROPRIETARY NOTE**  
THIS DOCUMENT CONTAINS CONFIDENTIAL AND PROPRIETARY INFORMATION AND ALL DESIGN, MANUFACTURING, REPRODUCTION, USE, PATENT RIGHTS AND SALES RIGHTS ARE EXPRESSLY RESERVED BY SAMTEC, INC. THIS DOCUMENT SHALL NOT BE DISCLOSED, IN WHOLE OR PART, TO ANY UNAUTHORIZED PERSON OR ENTITY NOR REPRODUCED, TRANSFERRED OR INCORPORATED IN ANY OTHER PROJECT IN ANY MANNER WITHOUT THE EXPRESS WRITTEN CONSENT OF SAMTEC, INC.

**samtec**  
520 PARK EAST BLVD, NEW ALBANY, IN 47150  
PHONE: 812-944-6733 FAX: 812-948-5047  
e-Mail info@SAMTEC.com code 55322

DO NOT SCALE DRAWING  
SHEET SCALE: 5:1

DESCRIPTION:  
XCede® HDTM VERTICAL BACKPLANE ASSEMBLY  
DWG. NO.  
**HDTM-4-XX-X-X-VT-X-X**  
BY: KNOWLDEN 9/13/2016 SHEET 3 OF 4

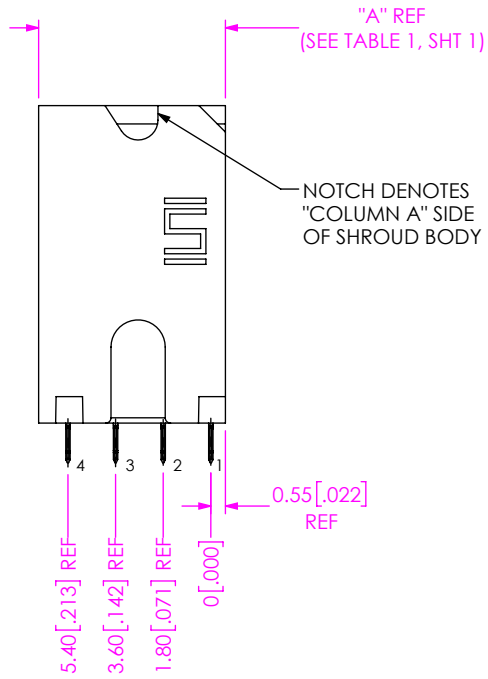


FIG 7  
OPEN-NO WALL OPTION  
(HDTM-4-04-X-X-VT-0-X SHOWN)  
(SAME AS FIG 1, EXCEPT AS SHOWN)

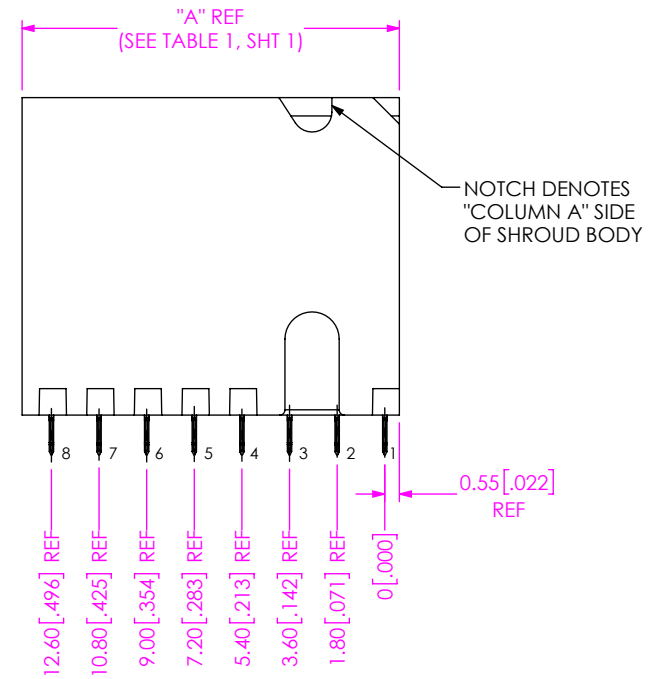



FIG 8  
OPEN-NO WALL OPTION  
(HDTM-4-08-X-X-VT-0-X SHOWN)  
(SAME AS FIG 1, EXCEPT AS SHOWN)

<p><b>PROPRIETARY NOTE</b></p> <p>THIS DOCUMENT CONTAINS CONFIDENTIAL AND PROPRIETARY INFORMATION AND ALL DESIGN, MANUFACTURING, REPRODUCTION, USE, PATENT RIGHTS AND SALES RIGHTS ARE EXPRESSLY RESERVED BY SAMTEC, INC. THIS DOCUMENT SHALL NOT BE DISCLOSED, IN WHOLE OR PART, TO ANY UNAUTHORIZED PERSON OR ENTITY NOR REPRODUCED, TRANSFERRED OR INCORPORATED IN ANY OTHER PROJECT IN ANY MANNER WITHOUT THE EXPRESS WRITTEN CONSENT OF SAMTEC, INC.</p>	 <p>520 PARK EAST BLVD. NEW ALBANY, IN 47150 PHONE: 812-944-6733 FAX: 812-948-5047 e-Mail info@SAMTEC.com code 55322</p>
<p>DO NOT SCALE DRAWING</p> <p>SHEET SCALE: 2:1</p>	<p>DESCRIPTION: XCede® HDTM VERTICAL BACKPLANE ASSEMBLY</p> <p>DWG. NO. <b>HDTM-4-XX-X-X-VT-X-X</b></p> <p>BY: KNOWLDEN 9/13/2016 SHEET 4 OF 4</p>