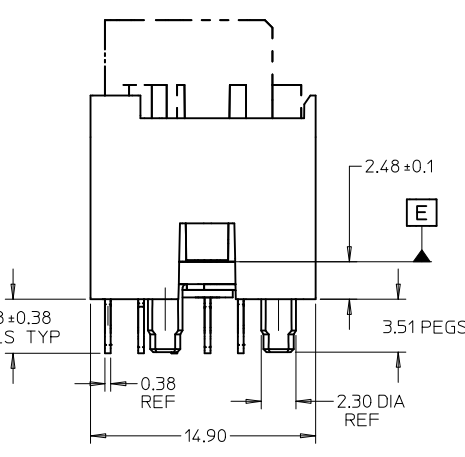
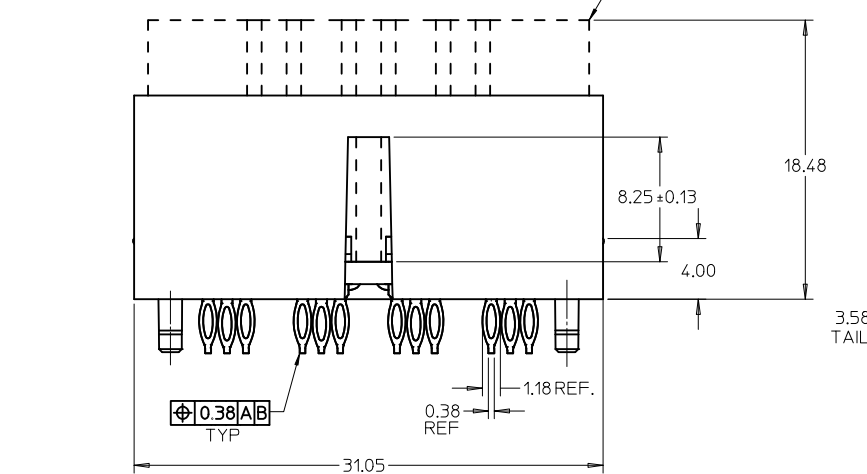
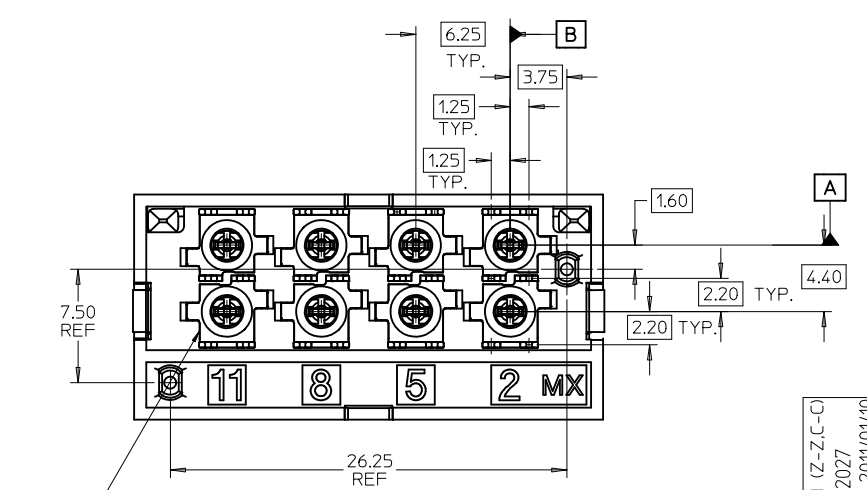
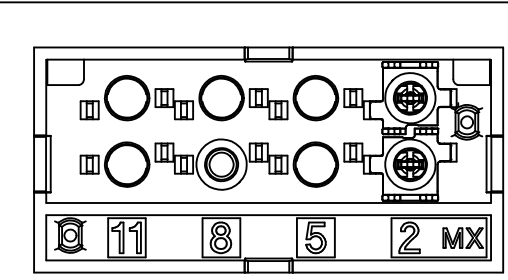
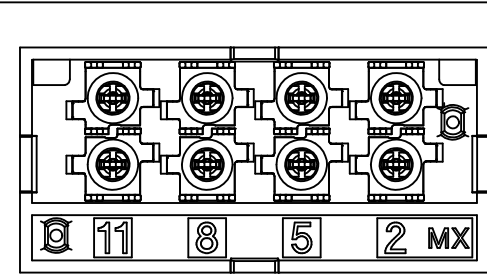


MATERIAL NO.	TERMINAL LOADING BY POSITION	PACKAGING
74712-0001	2, 5, 8, 11	PK-74712-001
74712-0002	2	PK-74712-001
74712-0003	2, 5, 8, 11	PK-74712-002

- NOTES:
- MATERIAL:
 - HOUSING: GLASS FILLED THERMO PLASTIC, 94V-0
 - INSULATOR: GLASS FILLED THERMO PLASTIC, 94V-0
 - PACKAGING HEADER: GLASS FILLED THERMO PLASTIC, 94V-0
 - TERMINALS AND GROUND: TIN BRASS
 - OUTER GROUND CONTACT: PHOSPHOR BRONZE
 - PLATING:
 - TERMINALS:
 - SELECTIVE 0.76 MICRONS MIN. GOLD IN CONTACT AREA
 - SELECTIVE 0.88 MICRONS MIN. TIN BOTH OVER
 - 1.27 MICRONS MIN. NICKEL UNDERPLATE
 - GROUNDS:
 - 0.88 MICRONS MIN. TIN OVERALL OVER
 - 1.27 MICRONS MIN. NICKEL UNDERPLATE
 - OUTER GROUND CONTACT:
 - 0.76 MICRONS MIN. GOLD OVERALL OVER
 - 1.27 MICRONS MIN. NICKEL UNDERPLATE
 - REFER TO PRODUCT SPEC.: PS-74854-001 FOR ELECTRICAL, MECHANICAL AND ENVIRONMENTAL REQUIREMENTS.
 - REFER TO PACKAGING SPEC STATED IN CHARTS FOR DETAILS OF THE PACKAGING REQUIREMENTS.
 - DATE CODE MARKING TO BE LOCATED ANYWHERE ON PLASTIC HOUSING. FIRST TWO DIGITS = WEEK NUMBER. LAST TWO DIGITS = YEAR.
 - THIS PART CONFORMS TO CLASS B REQUIREMENTS OF MOLEX COSMETIC SPECIFICATION PS-45499-002.



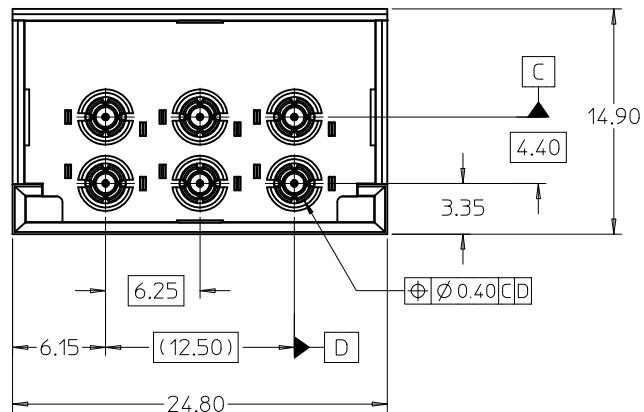
CONTACT LOADING OPTIONS FOR 8 POS CONNECTORS



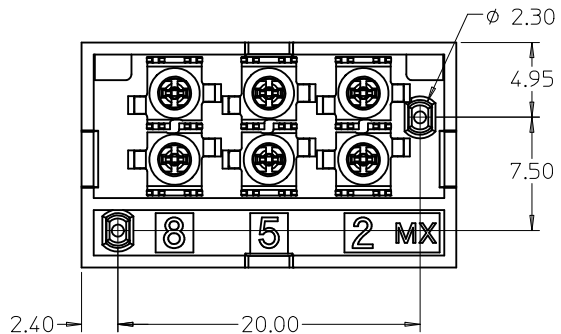
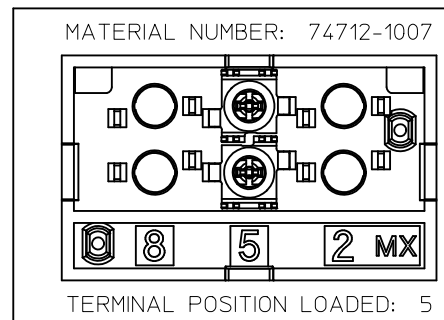
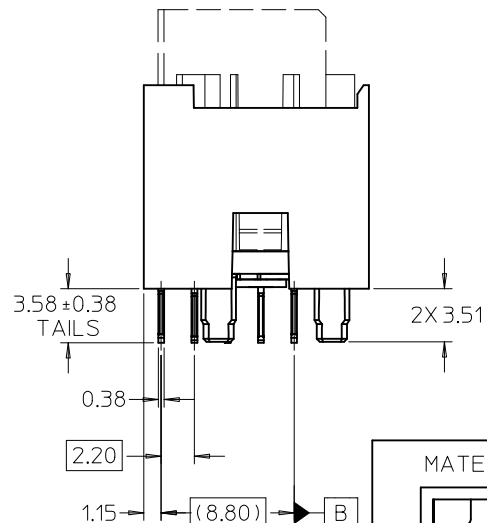
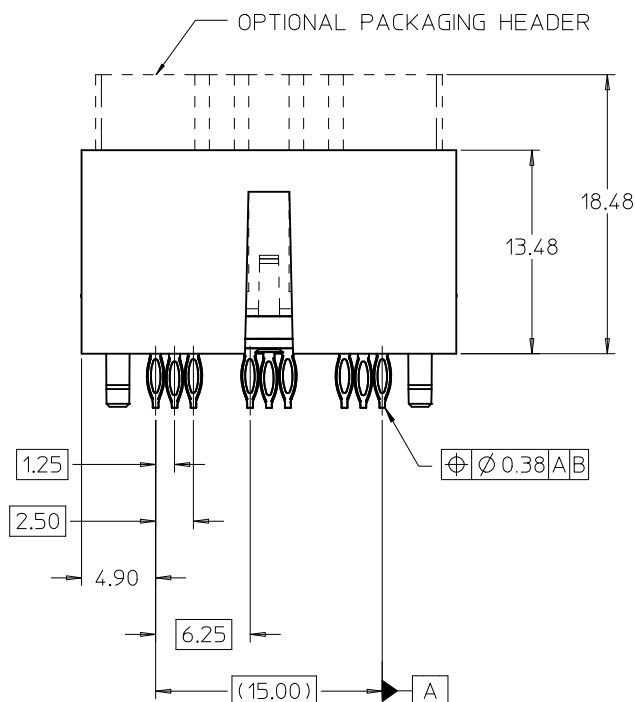
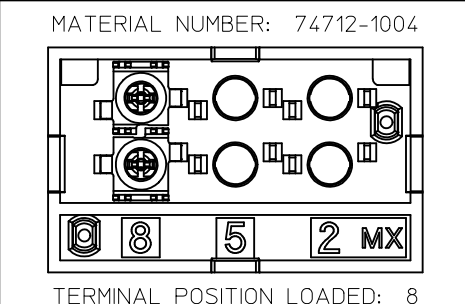
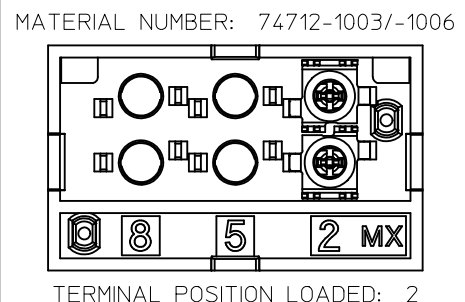
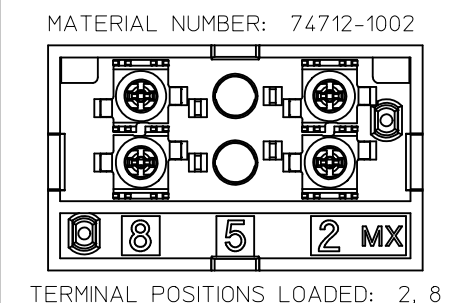
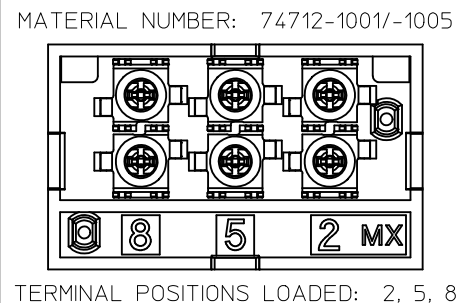
MARKING ON BOTTOM OF SUB-ASSEMBLY INDICATES INSPECTION ACCEPTANCE

8 POS. CONNECTOR SHOWN

DIM CORRECTION (Z-Z-C-C) IEC NO: UCP2011-2027 DRWN: JMENDOZA 2011/01/10 CHKD: JBINGHAM 2011/01/10 APPR: JBINGHAM 2011/01/11	QUALITY SYMBOLS	GENERAL TOLERANCES (UNLESS SPECIFIED)	SCALE 4:1	DESIGN UNITS METRIC	THIRD ANGLE PROJECTION	REVISE ON CAD ONLY															
	▼ -0 ∇ ±0	<table border="1"> <tr> <th></th> <th>mm</th> <th>INCH</th> </tr> <tr> <td>4 PLACES</td> <td>± ---</td> <td>± ---</td> </tr> <tr> <td>3 PLACES</td> <td>± ---</td> <td>± ---</td> </tr> <tr> <td>2 PLACES</td> <td>± 0.13</td> <td>± ---</td> </tr> <tr> <td>1 PLACE</td> <td>± 0.25</td> <td>± ---</td> </tr> </table>		mm	INCH	4 PLACES	± ---	± ---	3 PLACES	± ---	± ---	2 PLACES	± 0.13	± ---	1 PLACE	± 0.25	± ---	DIMENSION STYLE MM ONLY	TITLE	SALES DRAWING FOR VERTICAL GANGED RF CONNECTOR, LONG TAILS	
				mm	INCH																
	4 PLACES	± ---	± ---																		
3 PLACES	± ---	± ---																			
2 PLACES	± 0.13	± ---																			
1 PLACE	± 0.25	± ---																			
DRAFT WHERE APPLICABLE MUST REMAIN WITHIN DIMENSIONS	APPROVED BY DATE JBINGHAM 2009/11/23	CHECKED BY DATE JBINGHAM 2006/06/06	DRAWN BY DATE SREED 2006/06/06	MOLEX INCORPORATED																	
REV E2	DESCRIPTION	THIS DRAWING CONTAINS INFORMATION THAT IS PROPRIETARY TO MOLEX INCORPORATED AND SHOULD NOT BE USED WITHOUT WRITTEN PERMISSION		MATERIAL NO. SEE CHART	DOCUMENT NO. SD-74712-003	SHEET NO. 1 OF 5															



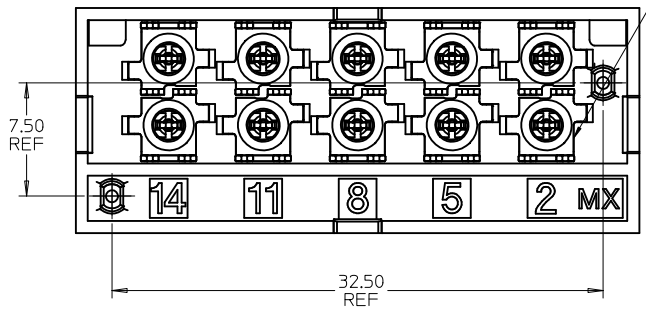
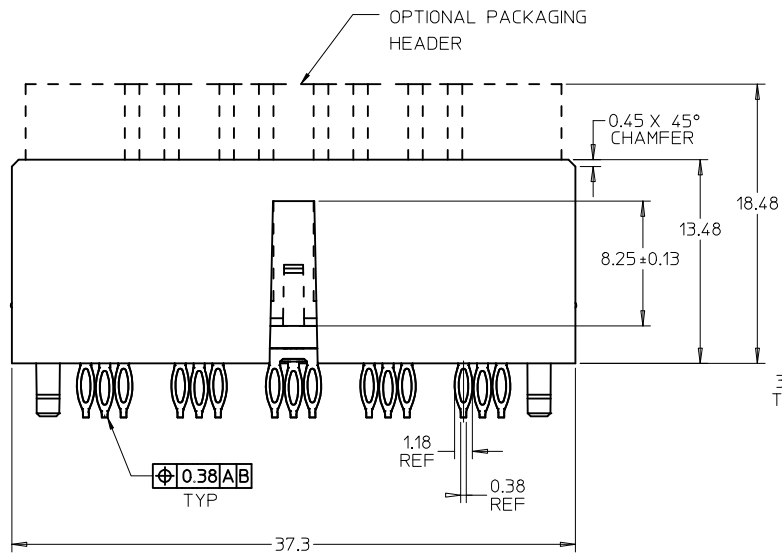
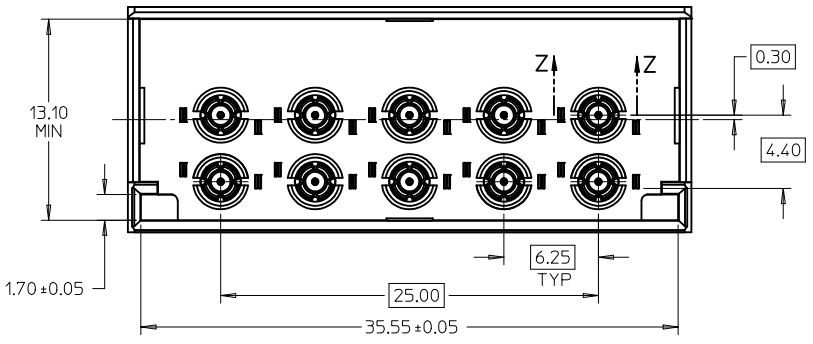
6 POSITION CONNECTOR			
MATERIAL NUMBER	POSITION OF LOADED TERMINAL(S)	OPTIONAL PACKAGING HEADER	PACKAGING SPECIFICATION
74712-1001	2, 5, 8	YES	PK-74712-101
74712-1002	2, 8	YES	
74712-1003	2	YES	
74712-1004	8	YES	PK-74712-102
74712-1007	5	YES	
74712-1005	2, 5, 8	YES	
74712-1006	2	YES	



SEE SHEET 1 EC NO: UCP2011-2027 DRWN: MENDOZA 2011/01/10 CHKD: JB INGHAM 2011/01/10 APPR: JB INGHAM 2011/01/11	QUALITY SYMBOLS ▽=0 ▽=0	GENERAL TOLERANCES (UNLESS SPECIFIED)		DIMENSION STYLE MM ONLY		SCALE 4:1	DESIGN UNITS METRIC	THIRD ANGLE PROJECTION		
		4 PLACES ± --- ± ---	mm	INCH	DRAWN BY	DATE	TITLE SALES DRAWING FOR VERTICAL GANGED RF CONNECTOR, LONG TAILS			
		3 PLACES ± --- ± ---	± ---	± ---	SREED	2006/06/06				
		2 PLACES ± 0.13 ± ---	± ---	± ---	CHECKED BY	DATE	MOLEX INCORPORATED SD-74712-003			
1 PLACE ± 0.25 ± ---	± ---	± ---	JB INGHAM	2006/06/06						
ANGULAR ± 2 °		APPROVED BY JB INGHAM		DATE 2009/11/23		DOCUMENT NO.		SHEET NO. 2 OF 5		
DRAFT WHERE APPLICABLE MUST REMAIN WITHIN DIMENSIONS				SEE CHART		THIS DRAWING CONTAINS INFORMATION THAT IS PROPRIETARY TO MOLEX INCORPORATED AND SHOULD NOT BE USED WITHOUT WRITTEN PERMISSION				

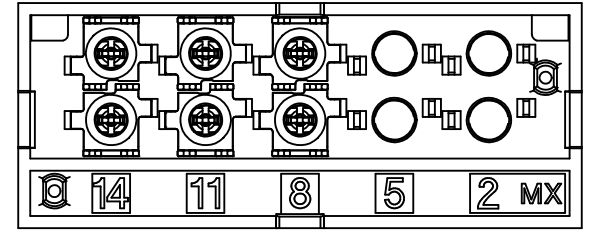
MATERIAL NO.	TERMINAL LOADING BY POSITION	PACKAGING
74712-3001	2, 5, 8, 11, 14	PK-74712-210
74712-3002	8, 11, 14	PK-74712-210

NOTE: REFER TO SHEET 1 FOR ALL DIMENSIONS, SECTION VIEW AND NOTES NOT SHOWN.

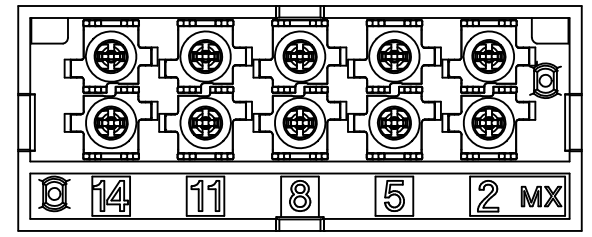


10 POSITION CONNECTOR SHOWN

CONTACT LOADING OPTIONS FOR 10 POSITION CONNECTORS

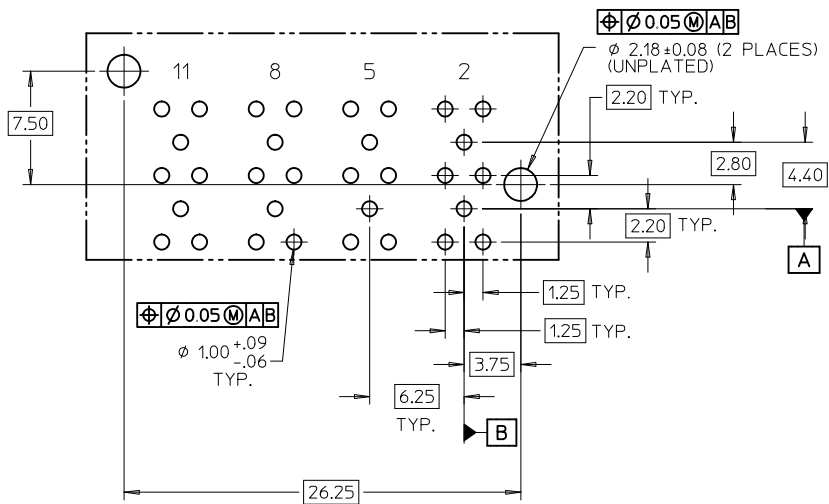


MAT'L NO. 747123002
POSITIONS 8,11,14 LOADED

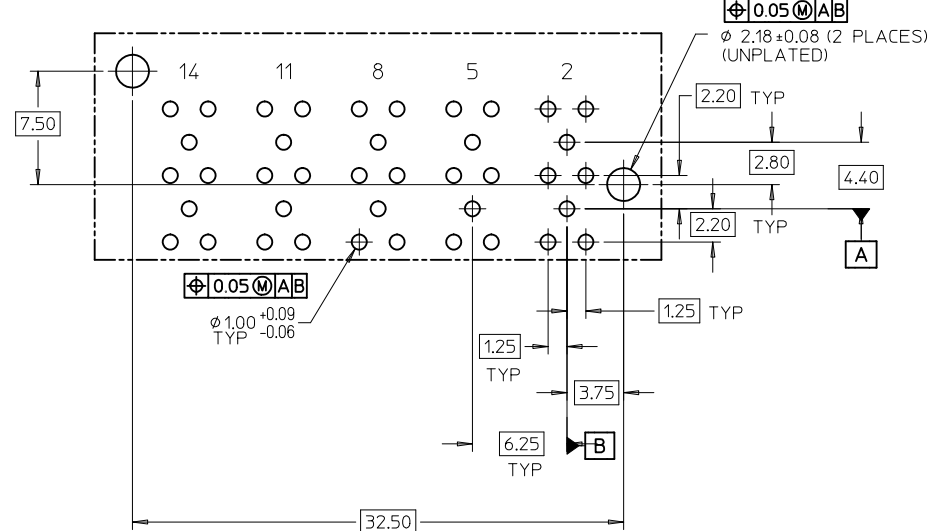


MAT'L NO. 747123001
POSITIONS 2,5,8,11,14 LOADED

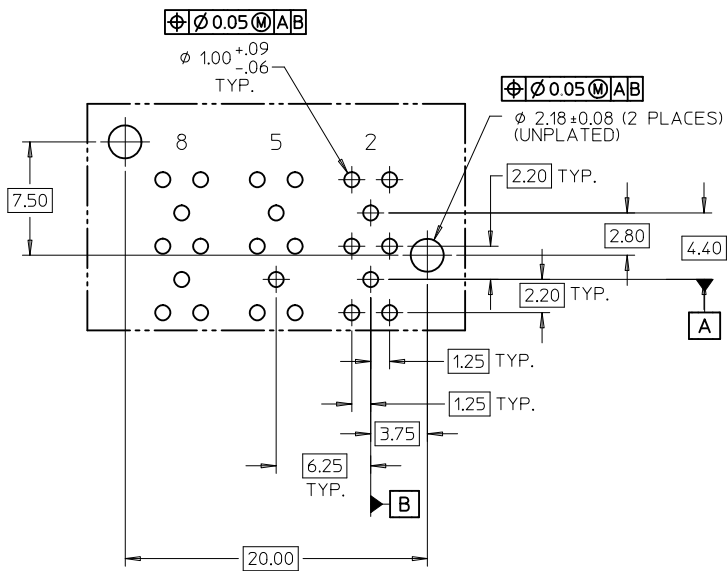
SEE SHEET 1 EC NO: UCP2011-2027 DRWN: JMENDOZA 2011/01/10 CHKD: JBINGHAM 2011/01/10 APPR: JBINGHAM 2011/01/11	DESCRIPTION REV E2	QUALITY SYMBOLS	GENERAL TOLERANCES (UNLESS SPECIFIED)	SCALE 4:1	DESIGN UNITS METRIC	THIRD ANGLE PROJECTION	REVISE ON CAD ONLY
		▽ 0 ∇ 0	4 PLACES ± --- ± --- 3 PLACES ± --- ± --- 2 PLACES ± 0.13 ± --- 1 PLACE ± 0.25 ± --- ANGULAR ± 2 °	DIMENSION STYLE MM ONLY	TITLE SALES DRAWING FOR VERTICAL GANGED RF CONNECTOR, LONG TAILS		
		DRAFT WHERE APPLICABLE MUST REMAIN WITHIN DIMENSIONS	DRAWN BY DATE SREED 2006/06/06 CHECKED BY DATE JBINGHAM 2006/06/06 APPROVED BY DATE JBINGHAM 2009/11/23	MATERIAL NO. SEE CHART	DOCUMENT NO. SD-74712-003		
			SHEET NO. 3 OF 5	THIS DRAWING CONTAINS INFORMATION THAT IS PROPRIETARY TO MOLEX INCORPORATED AND SHOULD NOT BE USED WITHOUT WRITTEN PERMISSION			



RECOMMENDED PCB LAYOUT
FOR THE 8 POSITION CONNECTOR
COMPONENT SIDE
MAX. BOARD THICKNESS: 4.50



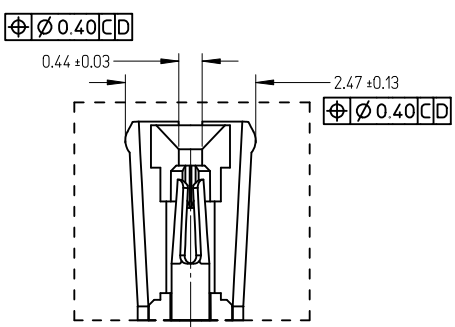
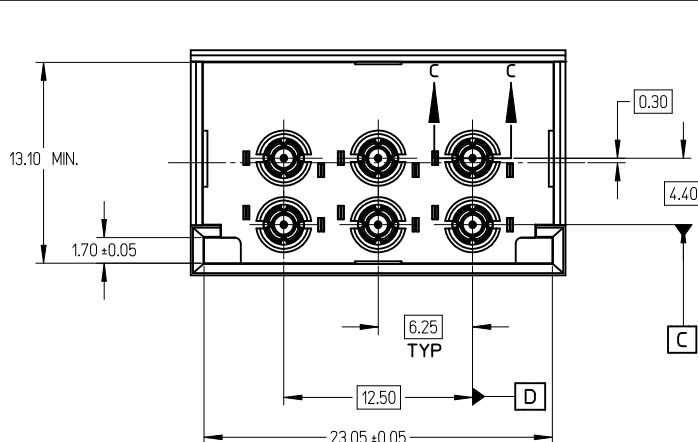
RECOMMENDED PCB LAYOUT
FOR THE 10 POSITION CONNECTOR
COMPONENT SIDE
MAX. BOARD THICKNESS: 4.50



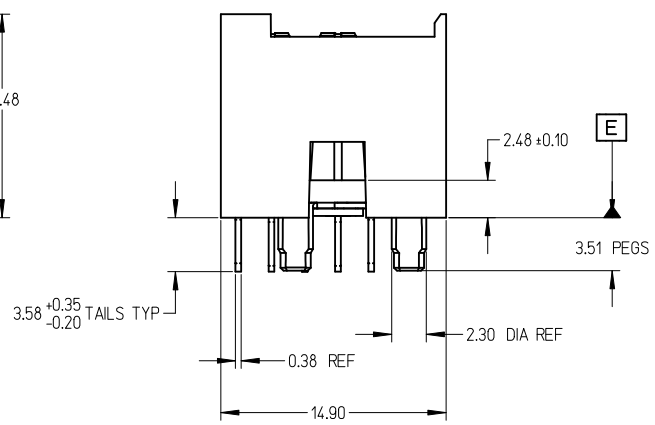
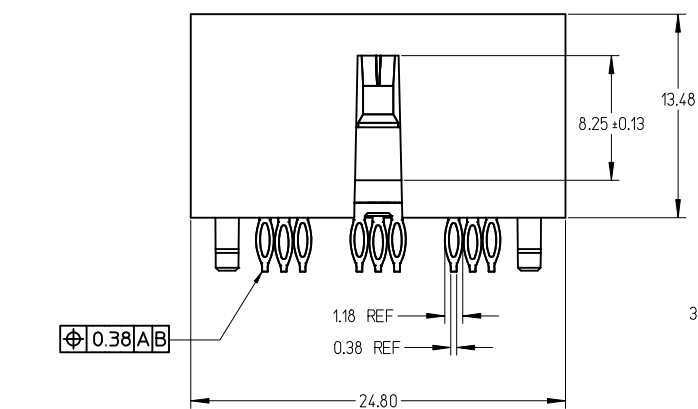
RECOMMENDED PCB LAYOUT
FOR THE 6 POSITION CONNECTOR
COMPONENT SIDE
MAX. BOARD THICKNESS: 4.50

NOTE: DEPENDING ON CONNECTOR PART NUMBER, ALL HOLES MAY NOT BE REQUIRED. REFER TO SHEETS 1-3 FOR LOADED TERMINAL POSITIONS. REFER TO TERMINAL POSITIONS SPECIFIED ON EACH PCB LAYOUT TO DETERMINE WHICH HOLES ARE NEEDED.

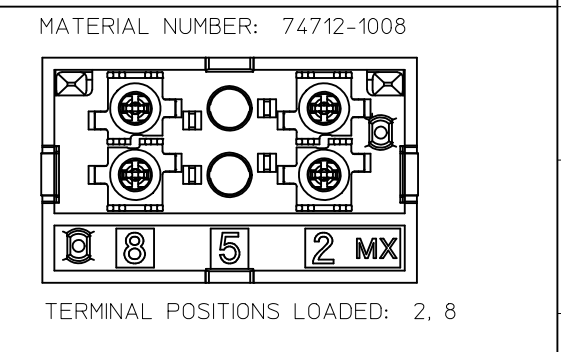
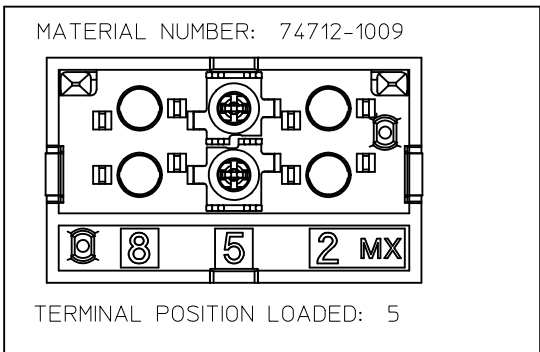
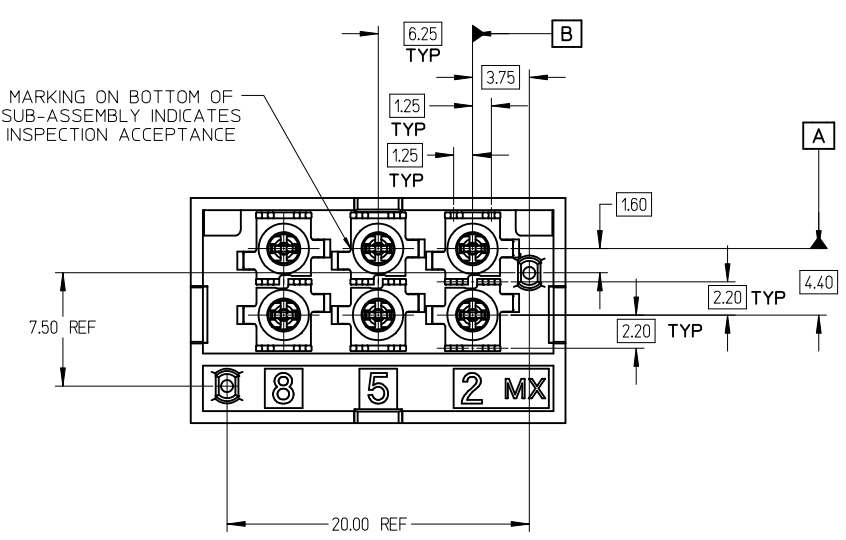
SEE SHEET 1 EC NO: UCP2011-2027 DRWN: JMENDOZA 2011/01/10 CHKD: JBINGHAM 2011/01/10 APPR: JBINGHAM 2011/01/11	QUALITY SYMBOLS	GENERAL TOLERANCES (UNLESS SPECIFIED)		SCALE 4:1	DESIGN UNITS METRIC	THIRD ANGLE PROJECTION	REVISE ON CAD ONLY	
	▽ 0 ∇ 0		mm	INCH	DIMENSION STYLE MM ONLY		TITLE SALES DRAWING FOR VERTICAL GANGED RF CONNECTOR, LONG TAILS MOLEX INCORPORATED	
		4 PLACES	± ---	± ---	DRAWN BY SREED	DATE 2006/06/06		
		3 PLACES	± ---	± ---	CHECKED BY JBINGHAM	DATE 2006/06/06		
		2 PLACES	± 0.13	± ---	APPROVED BY JBINGHAM	DATE 2009/11/23	MATERIAL NO. SEE CHARTS SD-74712-003	DOCUMENT NO. 4 OF 5
		1 PLACE	± 0.25	± ---	DRAFT WHERE APPLICABLE MUST REMAIN WITHIN DIMENSIONS THIS DRAWING CONTAINS INFORMATION THAT IS PROPRIETARY TO MOLEX INCORPORATED AND SHOULD NOT BE USED WITHOUT WRITTEN PERMISSION			



SECTION C-C
SCALE 14:1



6 POS. CONNECTOR SHOWN



6 POSITION CONNECTOR

MATERIAL NUMBER	POSITION OF LOADED TERMINAL(S)	OPTIONAL PACKAGING HEADER	PACKAGING SPECIFICATION
74712-1008	2, 8	NO	PK-74712-101
74712-1009	5	NO	

NOTES:

- MATERIAL:**
HOUSING: GLASS FILLED THERMO PLASTIC, 94V-0
INSULATOR: GLASS FILLED THERMO PLASTIC, 94V-0
TERMINALS AND GROUND: TIN BRASS
OUTER GROUND CONTACT: PHOSPHOR BRONZE
- PLATING:**
TERMINALS:
SELECTIVE 0.76 MICRONS MIN. GOLD IN CONTACT AREA
SELECTIVE 0.88 MICRONS MIN. TIN BOTH OVER
1.27 MICRONS MIN. NICKEL UNDERPLATE
GROUNDS:
0.88 MICRONS MIN. TIN OVERALL OVER
1.27 MICRONS MIN. NICKEL UNDERPLATE
OUTER GROUND CONTACT:
0.76 MICRONS MIN. GOLD OVERALL OVER
1.27 MICRONS MIN. NICKEL UNDERPLATE
- REFER TO PRODUCT SPEC.: PS-74854-001 FOR ELECTRICAL, MECHANICAL AND ENVIRONMENTAL REQUIREMENTS.
- REFER TO PACKAGING SPEC STATED IN CHARTS FOR DETAILS OF THE PACKAGING REQUIREMENTS.
- DATE CODE MARKING TO BE LOCATED ANYWHERE ON PLASTIC HOUSING. FIRST TWO DIGITS = WEEK NUMBER. LAST TWO DIGITS = YEAR.
- THIS PART CONFORMS TO CLASS B REQUIREMENTS OF MOLEX COSMETIC SPECIFICATION PS-45499-002.

SEE SHEET 1 EC NO: UCP2011-2027 DRAWN: J.MENDOZA 2011/01/10 CHKD: J.BINGHAM 2011/01/10 APPR: J.BINGHAM 2011/01/11	QUALITY SYMBOLS ▽=0 ▽=0	GENERAL TOLERANCES (UNLESS SPECIFIED)		DIMENSION STYLE MM ONLY	SCALE 4:1	DESIGN UNITS METRIC	THIRD ANGLE PROJECTION		
		4 PLACES ± --- ± --- 3 PLACES ± --- ± --- 2 PLACES ± 0.13 ± --- 1 PLACE ± 0.25 ± ---	mm INCH	DRAWN BY SREED	DATE 2006/06/06	TITLE SALES DRAWING FOR VERTICAL GANGED RF CONNECTOR, LONG TAILS			
		ANGULAR ± 2 °		CHECKED BY J.BINGHAM	DATE 2006/06/06	APPROVED BY J.BINGHAM	DATE 2009/11/23	MOLEX	MOLEX INCORPORATED
		DRAFT WHERE APPLICABLE MUST REMAIN WITHIN DIMENSIONS		SEE CHARTS		MATERIAL NO. SD-74712-003	DOCUMENT NO.	SHEET NO. 5 OF 5	

THIS DRAWING CONTAINS INFORMATION THAT IS PROPRIETARY TO MOLEX INCORPORATED AND SHOULD NOT BE USED WITHOUT WRITTEN PERMISSION