

Omnidirectional Back Electret Condenser Microphone Cartridge

WM-64PN

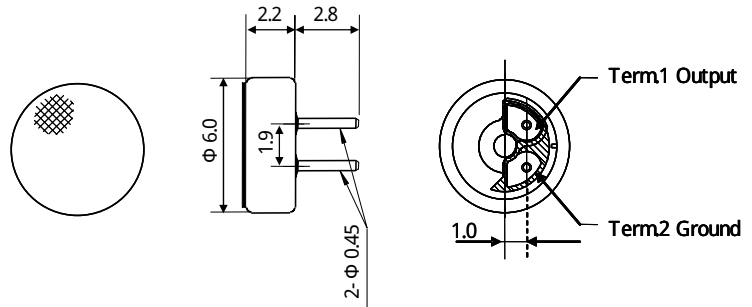
- Small and thin omnidirectional microphone
- Pin type for connector connection or direct-in to PCB
- Back electret type designed for high resistance to vibrations
- RFI protected for Dual band
- 10pF, 33pF capacitor inside

■ Appearance

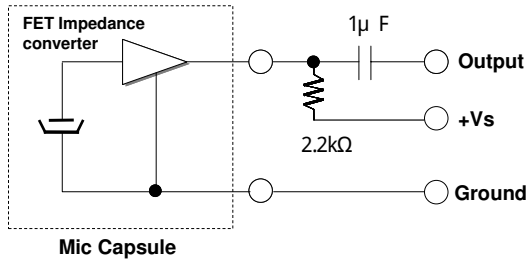


■ Dimensional Drawing

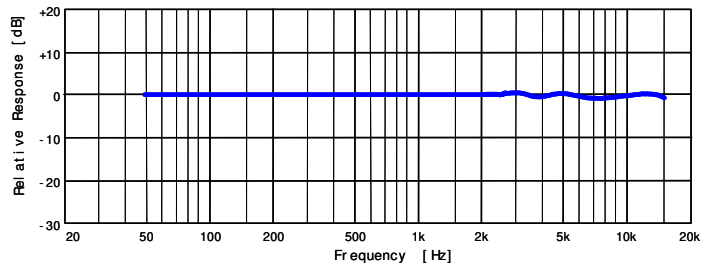
Unit : mm



■ Schematic Diagram



■ Typical Frequency Response Curve



■ Sensitivity

(0dB=1V/Pa, 1kHz)

Sensitivity
-44+/- 3dB

Model No.
WM-64PNT

Vs=2.0V
RL=2.2kΩ

Specifications

Dimensions	6 x 2.2 mm
Impedance	Less than 2.2kΩ
Directivity	Omnidirectional
Frequency	20- 16,000Hz
Max operation voltage	10V
Standard operation voltage	2V
Current consumption	Max 0.5mA
Sensitivity reduction	Within -3dB at 1.5V
S/N ratio	More than 58dB

Specifications are subject to change without notice.