

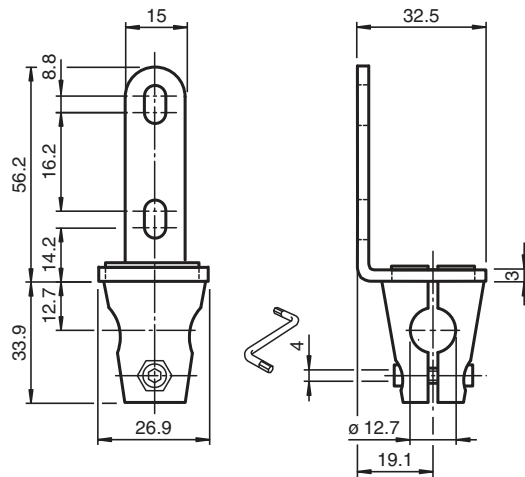


Mounting aid MH 01-L2-W

- Simple and fast mounting
- Mounting bracket

Mounting brackets for sensors

Dimensions



Technical Data

Mechanical specifications	
Material	Clamping cylinder: Diecast zinc Support bracket: Steel
Note	right angle Bracket rod not included

Release date: 2020-03-23 Date of issue: 2020-06-30 Filename: 232177_eng.pdf

Refer to "General Notes Relating to Pepperl+Fuchs Product Information".

Pepperl+Fuchs Group
www.pepperl-fuchs.com

USA: +1 330 486 0001
fa-info@us.pepperl-fuchs.com

Germany: +49 621 776 1111
fa-info@de.pepperl-fuchs.com

Singapore: +65 6779 9091
fa-info@sg.pepperl-fuchs.com

PF PEPPERL+FUCHS