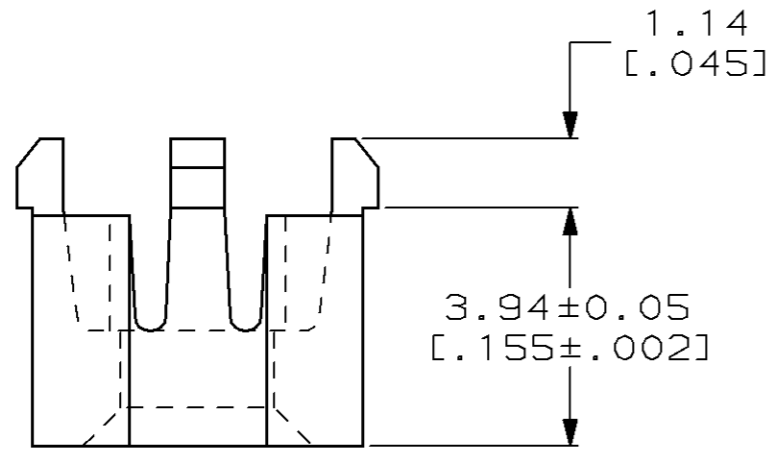
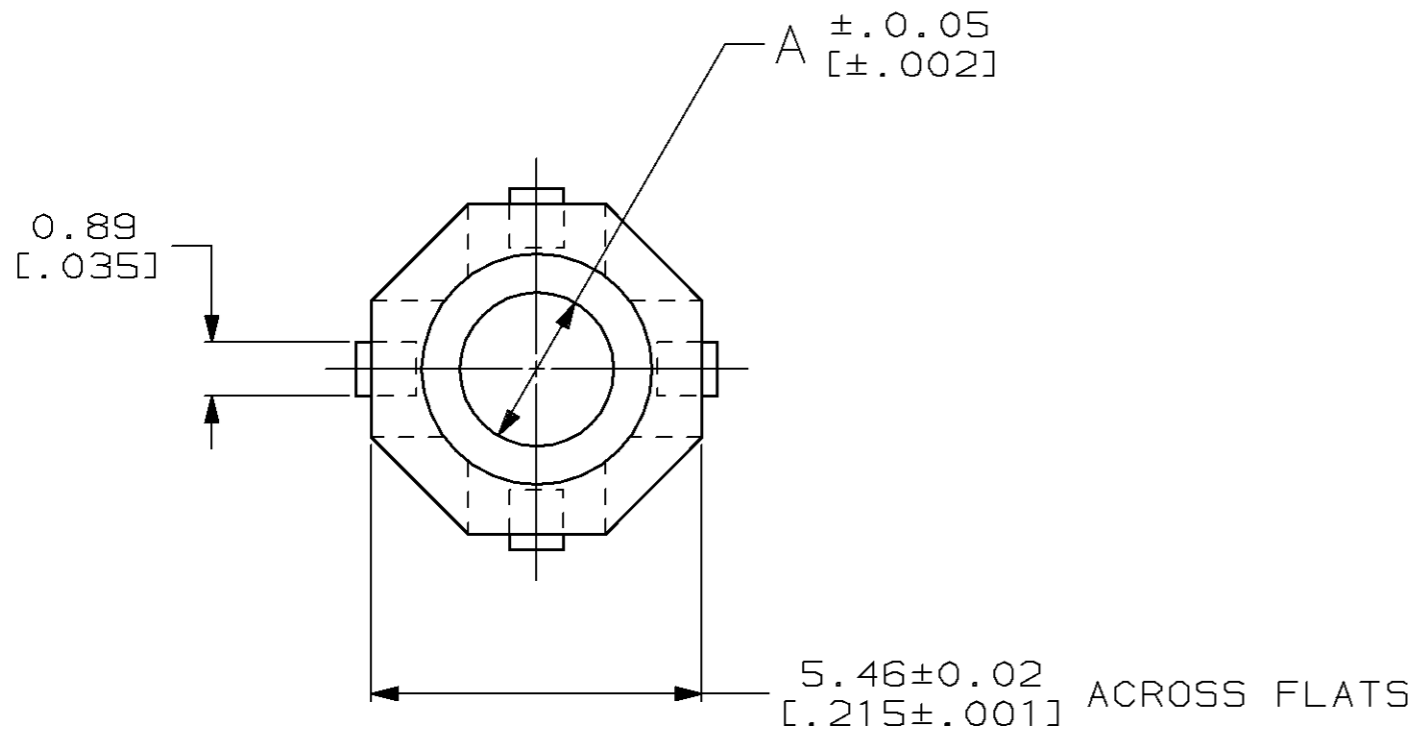
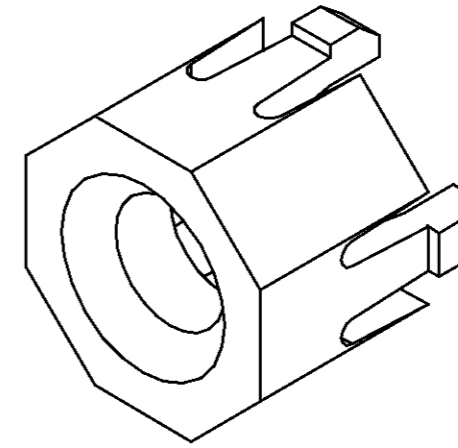


THIS DRAWING IS UNPUBLISHED. RELEASED FOR PUBLICATION, 19 .
© COPYRIGHT 19 BY AMP INCORPORATED. ALL INTERNATIONAL RIGHTS RESERVED.

| LOC | DIST | P | F | ZONE | LTR | REVISIONS | DATE | APPD |
|-----|------|---|---|------|-----|-----------|----------|------|
| AD | 25 | | | | C | ECN AD | 01/18/91 | - |



△ MATERIAL: POLYESTER; COLOR-GRAY.



| | |
|----------------|----------|
| 3.81 [.150] | 535865-2 |
| 2.54 [.100] | 535865-1 |
| A | PART NO |

| | | |
|--|----------------------------------|--|
| DO NOT SCALE PRINT. UNLESS SPECIFIED DIMENSIONS IN mm [INCHES] TOLERANCES ON: 2 PLC DEC ± - 3 PLC DEC ± 0.13 [.005] ANGLES ± - | DR 01/18/90 R.K. SEIFRIED/UTA | AMP AMP Incorporated Harrisburg, PA 17105-3608 |
| | CHK 01/18/90 R. SEIFRIED | |
| | APPD 01/18/90 R. SEIFRIED | |
| | APPD 01/18/90 R. SEIFRIED | |
| MATERIAL | △ 1 | NAME TBC PLUS, GUIDE PIN |
| FINISH | - | SIZE B |
| | | CAGE CODE 00779 |
| | | DRAWING NO 535865 |
| | | SCALE 8:1 |
| | | SHEET 1 OF 1 |

METRIC