

6

5

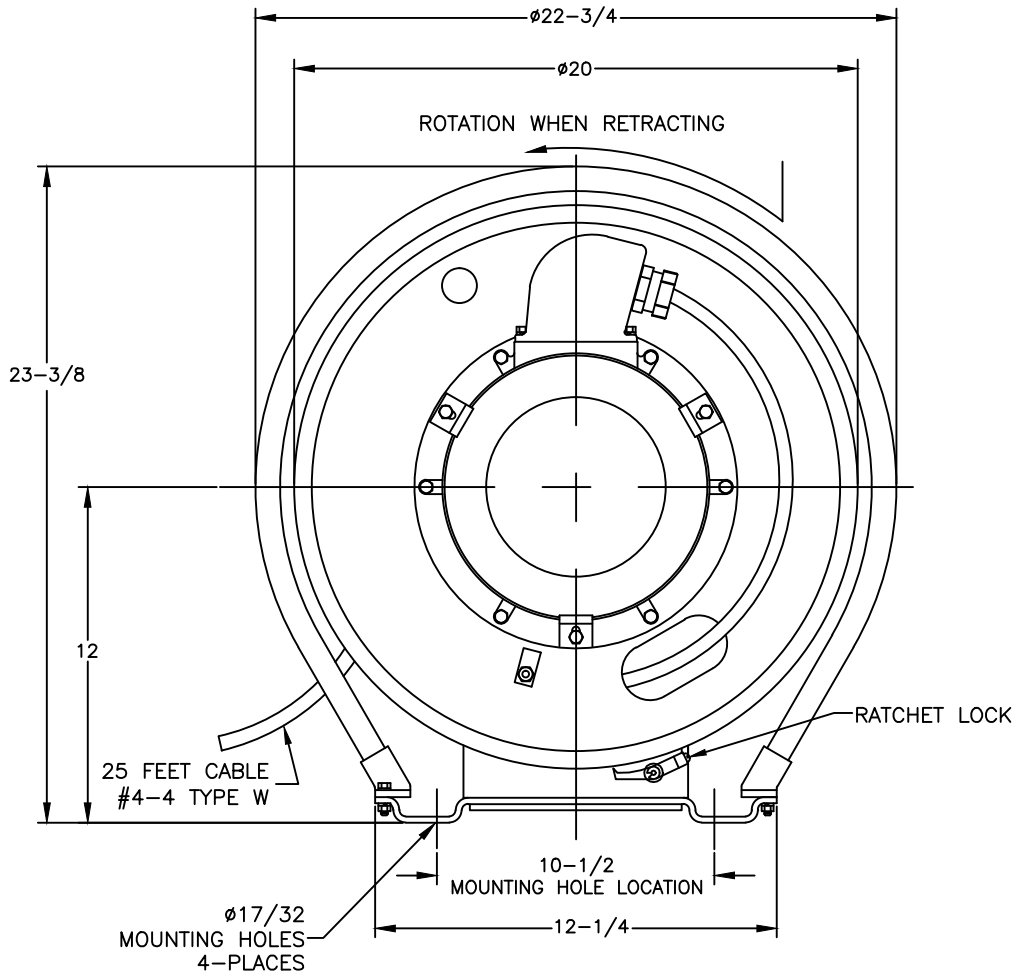
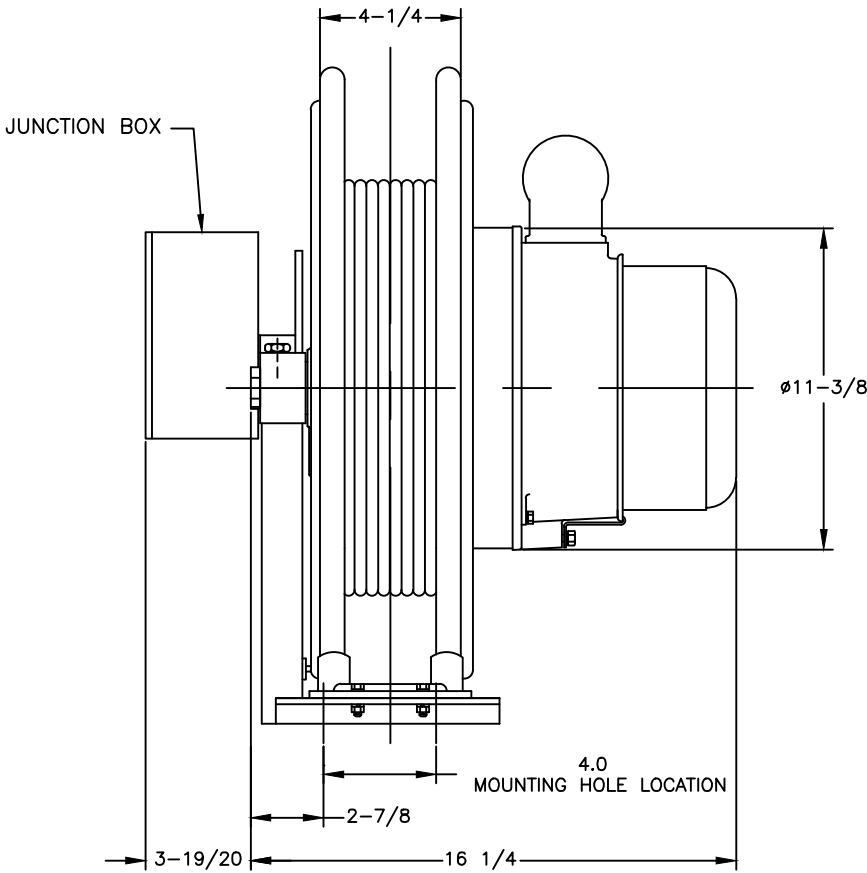
4

3

2

1

| | |
|------------|-----------------|
| MATERIAL # | ENGINEERING # |
| 1300851088 | 114216404GV0377 |



ELECTRICAL RATING: 55A, 600V

| | |
|------------------------------------|----------------------|
| QUOTE #A201524332 | MATERIAL #1300851088 |
| CUSTOMER APPROVAL SIGNATURE & DATE | |
| SIGNATURE | DATE |

| | |
|----------------------|---------------------|
| RELEASE CUSTOMER DWG | EC NO: IPG2015-0570 |
| DRWN: HRUIZ01 | 2014/09/26 |
| CHKD: KAHMED | 2014/09/26 |
| APPR: JFMURPHY | 2014/11/18 |

| | | |
|-----------------|------------|--------------|
| QUALITY SYMBOLS | $\nabla=0$ | $\nabla C=0$ |
|-----------------|------------|--------------|

| | |
|------------------------------------------------------|----------------------|
| GENERAL TOLERANCES (UNLESS SPECIFIED) | DIMENSION STYLE INCH |
| 4 PLACES $\pm---$ | mm $\pm---$ |
| 3 PLACES $\pm---$ | INCH ± 0.05 |
| 2 PLACES $\pm---$ | ± 0.10 |
| 1 PLACE $\pm---$ | ± 0.20 |
| ANGULAR $\pm 1/2^\circ$ | |
| DRAFT WHERE APPLICABLE MUST REMAIN WITHIN DIMENSIONS | |

| | |
|--------------|------------|
| DRAWN BY | DATE |
| HRUIZ01 | 2014/09/26 |
| CHECKED BY | DATE |
| KAHMED | 2014/09/26 |
| APPROVED BY | DATE |
| JFMURPHY | 2014/11/18 |
| MATERIAL NO. | 1300851088 |

| | | |
|-------------------------------------------------------------------------------------------------------------------------------|-------------------|------------------------|
| SCALE NTS | DESIGN UNITS INCH | THIRD ANGLE PROJECTION |
| TITLE | | |
| 114216404G7L CABLE REEL | | |
| 25' OF #4-4 TYPE W CABLE | | |
| W/ RATCHET LOCK | | |
| MOLEX INCORPORATED | | |
| MATERIAL NO. | DOCUMENT NO. | SHEET NO. |
| 1300851088 | SD-130085-011 | 1 OF 1 |
| THIS DRAWING CONTAINS INFORMATION THAT IS PROPRIETARY TO MOLEX INCORPORATED AND SHOULD NOT BE USED WITHOUT WRITTEN PERMISSION | | |

6

5

4

3

2

1

A

A