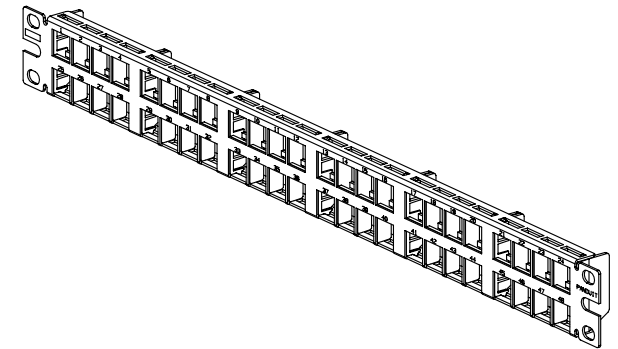
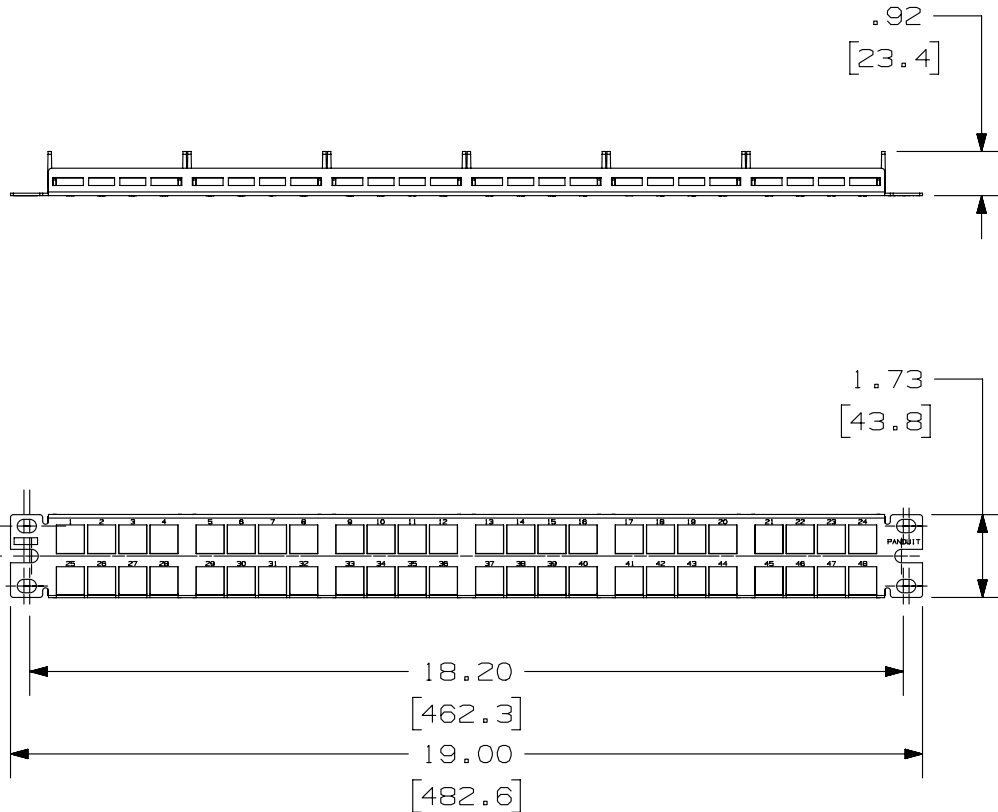


THIS COPY IS PROVIDED ON A RESTRICTED BASIS AND IS NOT TO BE USED IN ANY WAY DETRIMENTAL TO THE INTERESTS OF PANDUIT CORP.

PANDUIT P/N	WEIGHT
NKPP48HDY	3.86 LB/10 PCS (1745.4 g/10 PCS)

NOTES:

- SEE CURRENT CATALOG FOR VARIOUS APPLICATIONS WITH THIS WIRING SYSTEM.
- THE HIGH DENSITY PATCH PANEL IS DESIGNED FOR MOUNTING TO 19" UNIVERSAL RACKS.
- PACKAGE CONTENTS:
  - (1) -48 PORT STAMPING
  - (6) -8 POSITION FACEPLATE (ASSEMBLED TO PANEL)
  - (1) -SCREW KIT (INCLUDES FOUR #12-24 SCREWS)
  - (1) -SCREW KIT (INCLUDES FOUR M6 SCREWS)
- DIMENSIONS IN PARENTHESIS ARE IN METRIC.



PART NUMBER		NKPP48HDY		
TITLE				
NETKEY 48 PORT HIGH DENSITY MODULAR PATCH PANEL				
CUSTOMER DRAWING				
ITEM REVISION NAME		M02479DT/06		
DATASET FILE NAME		M02479DT_DC100/00B		
UNLESS OTHERWISE SPECIFIED, DIMENSIONAL TOLERANCES ARE: IN [mm]				MATERIAL:
.x ±		.xxx ± .010 [ .3 ]		
.xx ± .03 [ .8 ]		ANGLES ±		DRAWING NUMBER: 02479-100
		THIRD ANGLE PROJECTION		
DRAWN BY	DATE	CHK	SCALE	SIZE
JSP	3-11-06	MJD	NONE	A

REV	DATE	BY	CHK	APR	DESCRIPTION	ECN
1	5-20-14	MDJR	REFR	JCK	A. UPDATED TITLE BLOCK.	02479-100
R	3-11-06	JSP	MJD	MJD	RELEASED TO PRODUCTION	02479-100

D101000DA/14