



MADE IN THE USA

### Related Products (each sold separately):

- GL008-0420: Glove Box Dispenser - Single
- GL002-0420: Glove Box Dispenser - Double - Divided (shown below)
- GL003-0420: Glove Box Dispenser - Triple - Divided



### Product Description:

- Glove Box Dispenser - Quad - Divided
- Holds four boxes of gloves
- Two-way keyholes for vertical or horizontal wall mounting
- Black Powder-Coated Steel

### Primary Area for Product Usage:

- Anywhere gloves are needed

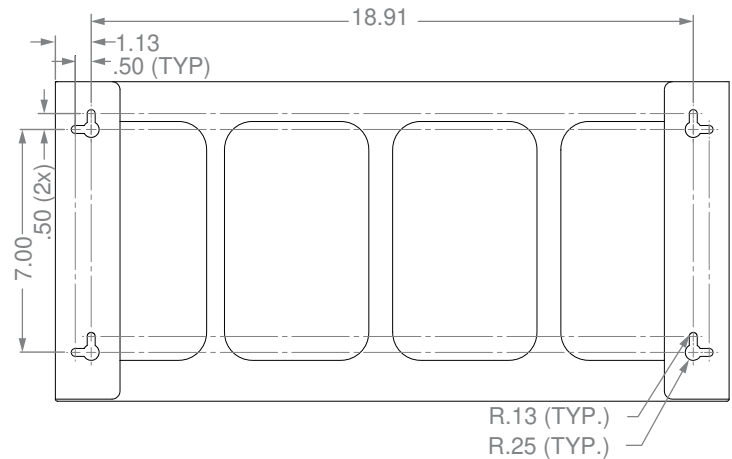
### Dispenses:

- Box(es) no larger than 5.24"W x 10.00"H x 3.75"D (13.3 cm x 25.4 cm x 9.5 cm)
- Box(es) no smaller than 4.25"W x 9.00"H x 3.00"D (10.8 cm x 22.9 cm x 7.6 cm)

### Product Specifications (overall external dimensions):

- 21.19"W x 10.00"H x 3.81"D (53.8 cm x 25.4 cm x 9.7 cm)
- 2.4 lbs (1.1 kg) - approximated

### Mounting Specifications:



### Package Specifications:

- Package Quantity: 4 per case
  - 26"L x 11"W x 8"H (66.0 cm x 27.9 cm x 20.3 cm)
  - 12.0 lbs (5.9 kg) - approximated
- Package Quantity: 1 per case
  - 26"L x 11"W x 8"H (66.0 cm x 27.9 cm x 20.3 cm)
  - 3.0 lbs (1.4 kg) - approximated

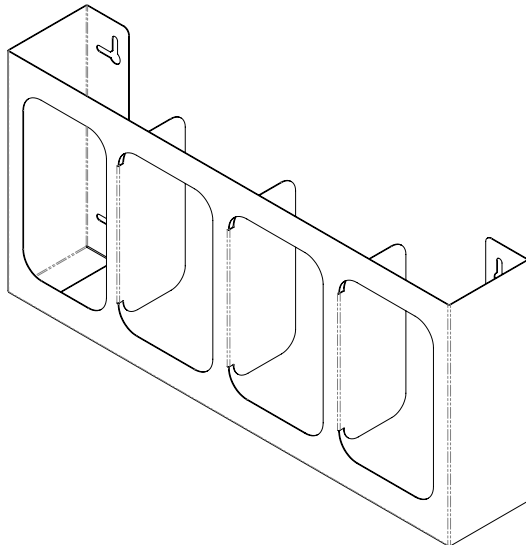




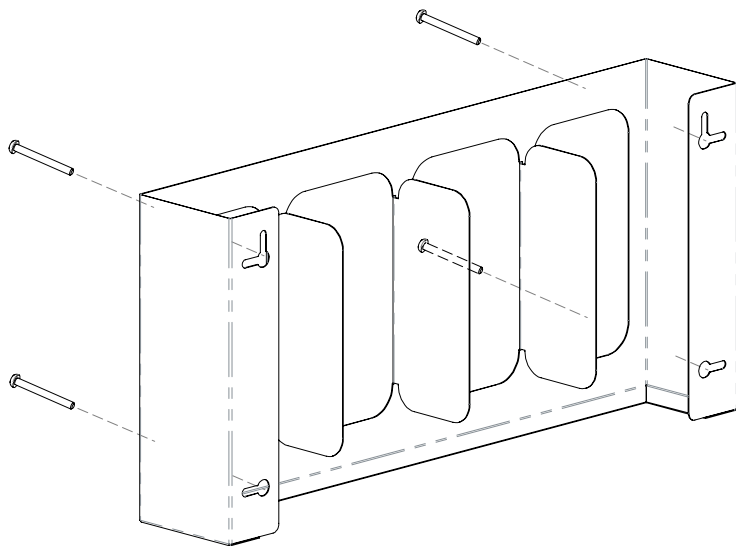
## Installation

Always mount dispensers securely *prior* to loading with product.

- Dividers keep boxes separate for easy removal and stocking even when mounted horizontally.



- Mount securely to a wall with screws approved and supplied by building maintenance.



### Parts included:

- Dispenser

### Tools Required:

- No tools required to assemble dispenser

## Care and Construction

### Powder-Coated Steel

### Material Characteristics

### Designed for Long-Term, Heavy-Duty Applications

Dispensers and stands made of powder-coated steel are both attractive and functional, providing years of service. Our powder-coated steel dispensers and stands provide long-lasting products that hold up well in tough environments.

Powder-coated steel is ideal for dispensers used in a healthcare or an industrial setting. It is impact resistant and is not effected by extremes in temperature.

### Care and Cleaning

The powder-coated finish resists common chemicals and cleaning agents and can be easily wiped clean with soap and water.