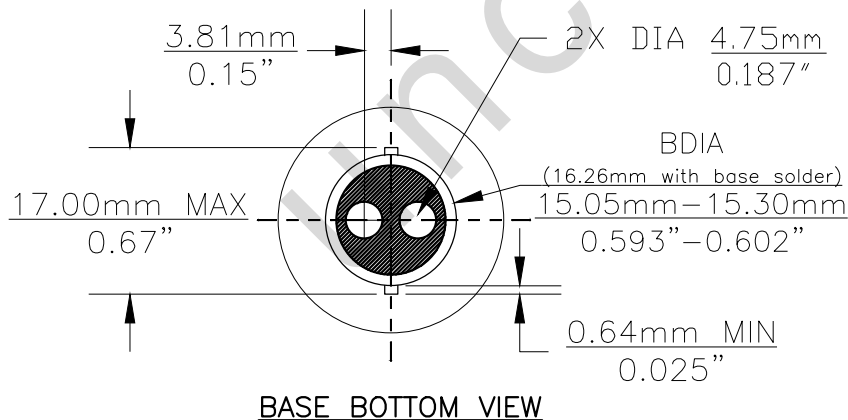
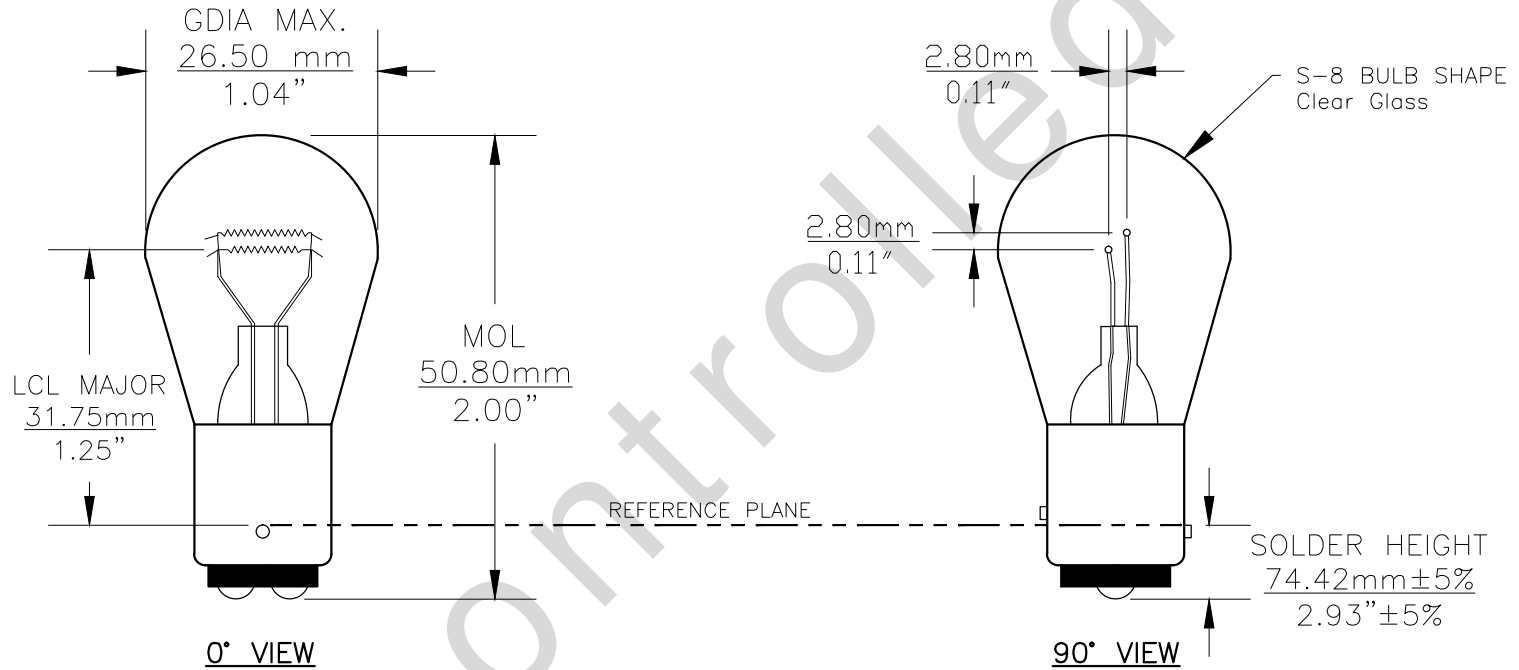




PART NO.	BASE TYPE	DESIGN VOLTS	DESIGN AMPS	MSCD	FILAMENT TYPE	AVERAGE LIFE HOURS	REVISIONS			
							REV #	DESCRIPTION	DATE	APPROVED
CE2	D.C. INDEX BAY15d (Nickel)	48V/48V	0.52±10% 0.20±10%	28±20% 5 ±20%	C-6 C-6	300/1000	1	ISSUED	12/23/2004	D.C.
							2	REDRAWN	04/27/2016	R.M.
							3	REVISED VOLTS/AMPS/MSCD/HRS/BDIA	06/14/2019	R.M.



UNLESS OTHERWISE SPECIFIED: DIMENSIONS ARE IN INCHES TOLERANCES		CEC INDUSTRIES LTD			
DECIMALS .XX ± .05		FSCM NO.		DWG NO.	
ANGULAR .XXX ± .010		CE2		REV 3	
FRACTIONAL ±1/64		SCALE		PLOT SCALE	
DRAWN DENNIS CLARK		DATE 12/23/2004		SHEET 1 OF 1	
CHECKED		FILE CE2.pdf		DRAWING NOT TO SCALE	
DESIGN		TITLE LIGHT BULB NO. CE2		MATERIAL	
MATERIAL		699 BOND STREET		LINCOLNSHIRE, IL 60069	