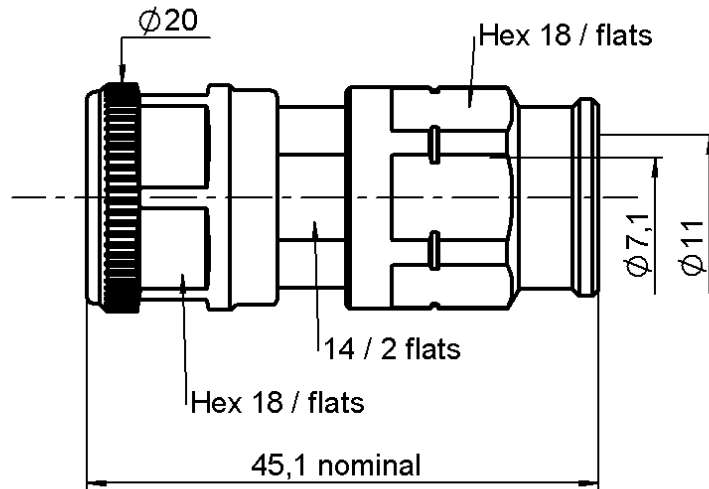


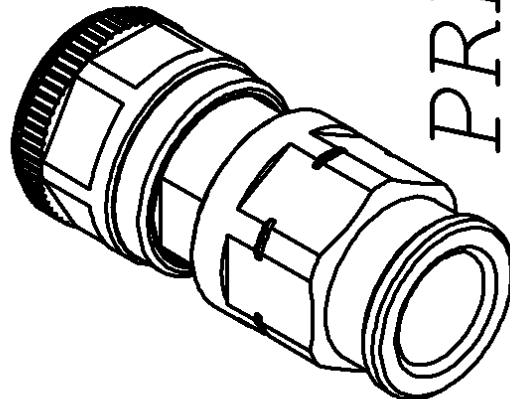
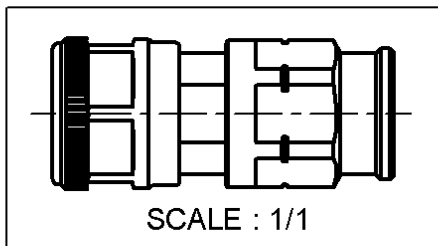
STRAIGHT PLUG EZ FIT TYPE
CABLE 3/8" SUPERFLEXIBLE CORRUGATED

R161.036.207

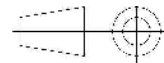
Series : N



PRELIMINARY



All dimensions are in mm.



COMPONENTS	MATERIALS	PLATINGS (μm)
BODY	BRASS	BBR 0.5 OVER SILVER 3
CENTER CONTACT	BRASS	SILVER 3 OVER COPPER 0.5
OUTER CONTACT	BRASS	BBR 0.5 OVER SILVER 3
INSULATOR	PTFE	
GASKET	SILICONE RUBBER	
OTHERS PARTS	BRASS	BBR 0.5 OVER SILVER 3
-	-	-
-	-	-

Issue : 0306 C

In the effort to improve our products, we reserve the right to make changes judged to be necessary.



STRAIGHT PLUG EZ FIT TYPE
CABLE 3/8" SUPERFLEXIBLE CORRUGATED

R161.036.207

Series : N

PACKAGING

Standard	Unit	Other
50	'W' option	Contact us

SPECIFICATION

ELECTRICAL CHARACTERISTICS

Impedance		50 Ω
Frequency		0-11 GHz
VSWR	1.3 +	0.000 x F(GHz) Maxi
Insertion loss		0.048 √F(GHz) dB Maxi
RF leakage	- (101 - F(GHz)) dB Maxi
Voltage rating		1400 Veff Maxi
Dielectric withstanding voltage		2500 Veff mini
Insulation resistance		5000 MΩ mini

CABLE ASSEMBLY

Stripping	a	b	c	d	e	f
mm	5.50	5.00	11.5	0.00	0.00	0.00

Assembly instruction :

Recommended cable(s)
 FSJ2-50-3/8" HELIAX
 HCF 3/8" Cu2Y AlCu
 HCF 3/8" CuH

Cable retention

- pull off	500 N mini
- torque	NA N.cm

MECHANICAL CHARACTERISTICS

Center contact retention		
Axial force – Mating end	68 N mini	
Axial force – Opposite end	68 N mini	
Torque	NA N.cm mini	

Recommended torque		
Mating	170 N.cm	
Panel nut	NA N.cm	
Clamp nut	950 N.cm	
A/F clamp nut	18.000 mm	

Mating life	500 Cycles mini
Weight	55.149 g

TOOLING

Part Number	Description	Hexagon
.	.	.
R282.303.220	TORQUE SPANNER .708 in 84.075 in.lb	
R282.010.040	STRIPPING TOOL	

OTHERS CHARACTERISTICS

PIM3 < -155 dBc (-112 dBm) 2x20W

ENVIRONMENTAL

Operating temperature	-55/+105 °C
Hermetic seal	NA Atm.cm3/s
Panel leakage	NA

Issue : 0306 C

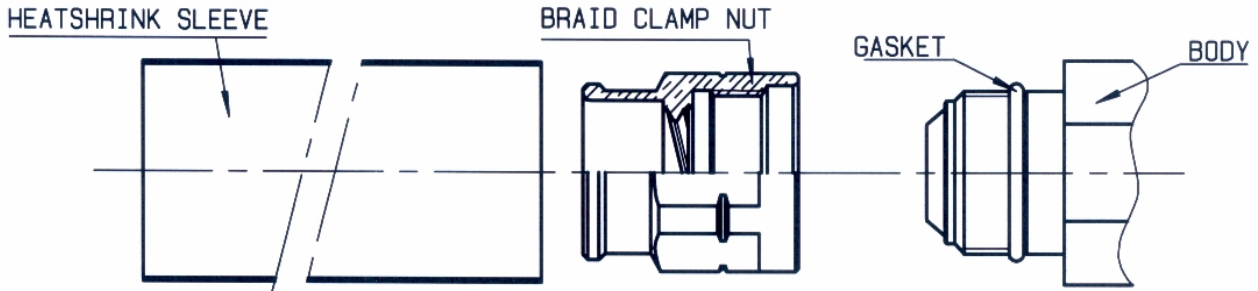
In the effort to improve our products, we reserve the right to make changes judged to be necessary.



STRAIGHT PLUG EZ FIT TYPE
CABLE 3/8" SUPERFLEXIBLE CORRUGATED

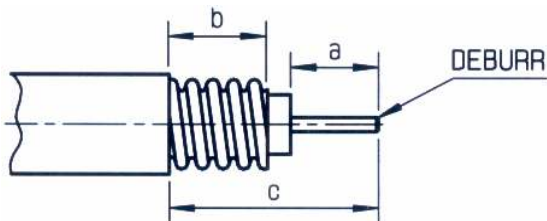
R161.036.207

Series : N



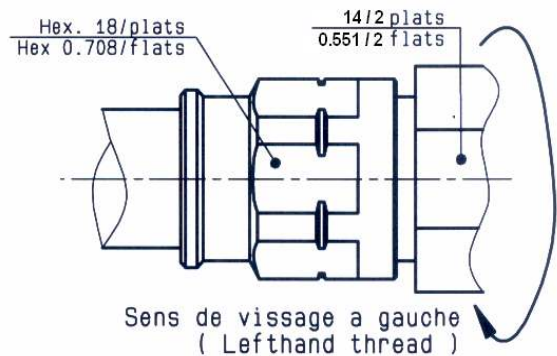
1

- Strip the cable
- Do not damage the outer conductor.
- Deburr cable inner conductor.



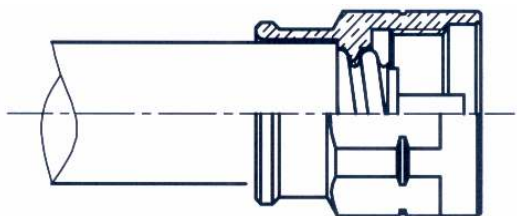
3

- Screw the connector onto the assembly.
WARNING : Screw the connector on the braid clamp nut turning left (left-hand thread) so that the copper outer conductor is being squeezed.

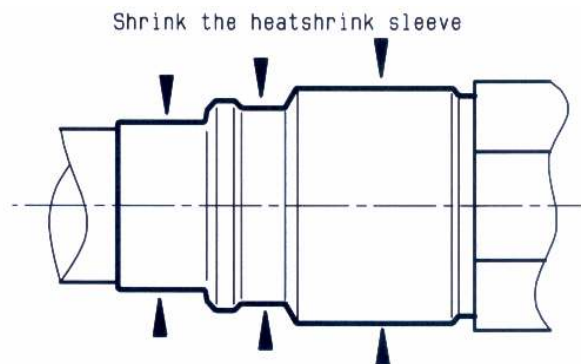


2

- Slide the heatshrink sleeve onto the cable.
- Screw manually the braid clamp nut onto cable outer conductor until stop.



4



Issue : 0306 C

In the effort to improve our products, we reserve the right to make changes judged to be necessary.



RADIALL®