

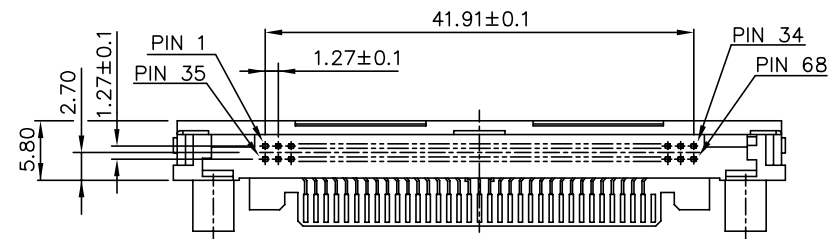
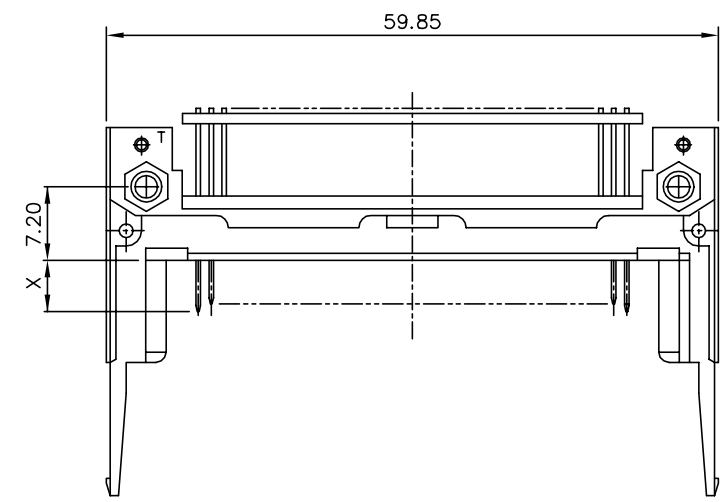
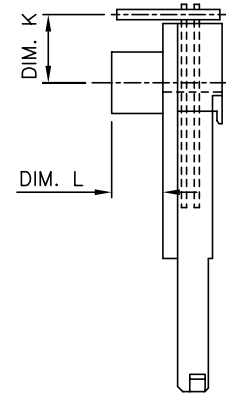
FCI CONFIDENTIAL



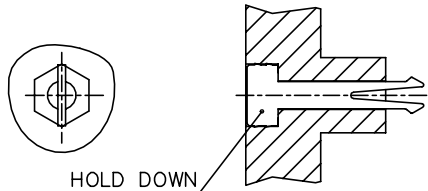
This document is the property of and embodies CONFIDENTIAL and PROPRIETARY information of FCI. No part of this information shown on this document may be used in any way or disclosed to others without the written consent of FCI.
Copyright FCI

PRODUCT NO.	DIM "X"		
	4.25±0.1	3.5±0.1	5.0±0.1
95548-****	OTHERS	36,67	1,17,34 35,51,68

- 95548-□□□□
- HOLD DOWN : H
 - STAND-OFF
 - 00 : 0.0 mm
 - 20 : 2.0 mm
 - 22 : 2.2 mm
 - 30 : 3.0 mm
 - 40 : 4.0 mm
 - 43 : 4.3 mm
 - 50 : 5.0 mm
 - UPPER DECK : 5
 - LOWER DECK : 0
 - LOWER DECK : 1
(FOR HOLLAND)
 - LOWER DECK : 2
(FOR KOREA)
 - TOP MOUNT : 0
 - BOTTOM MOUNT : 5



NOTE:
1. ADD "H" TO PART NUMBER FOR OPTIONAL HOLD DOWN (2 PER ASSEMBLY).



95548-0000	0	-0.3
95548-0050H	5	-0.3
95548-0222	2.2	2.15
95548-0150	5	-0.3
95548-0100	0	2.15
95548-0522	0	9.0
95548-0022	2.2	2.15
95548-0543	0	6.55
95548-0043	4.3	-0.3
95548-0550	0	6.55
95548-0050	5	-0.3
95548-0500	0	10.0
PRODUCT NO.	DIM.L	DIM.K±0.20

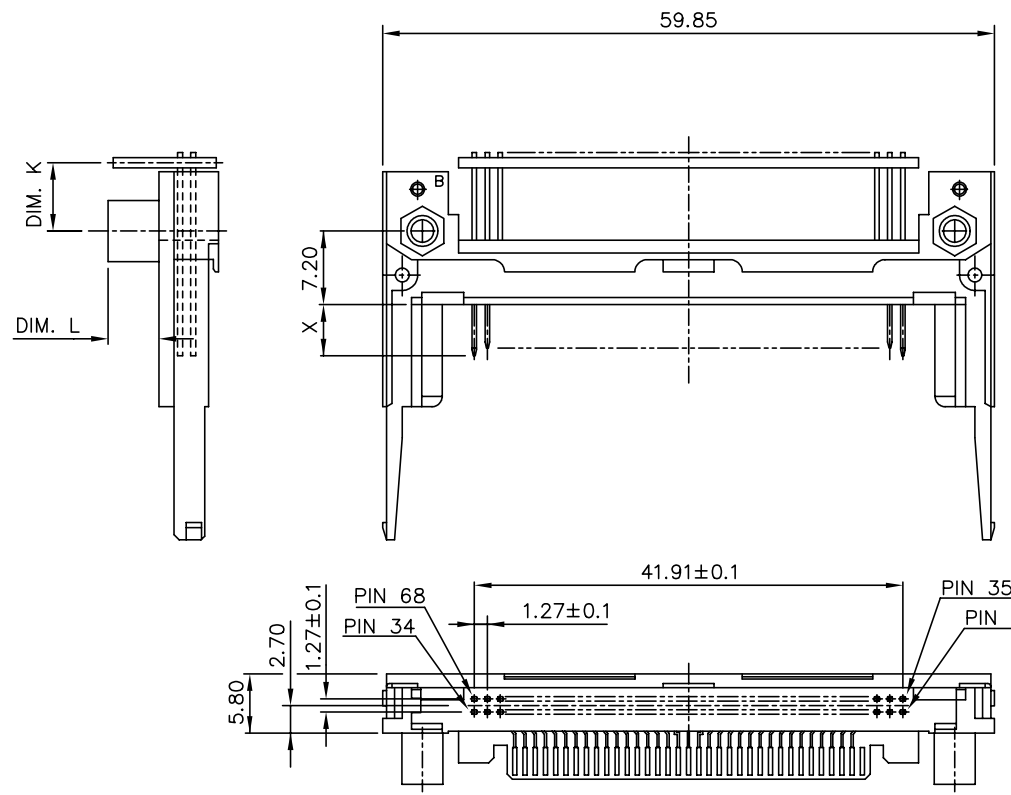
mat'l. code		surface		tolerance		projection		product family	
		ISO 1302		ISO 406 ISO 1181		1:1		PCMCIA	
tr echn no dr date		tolerances unless otherwise specified		title					
J	T03-0464	W	L	10/20/03				68 POS EJECTOR HEADER HSG	
K	N04-0092	W	B	12/01/04	angles	linear	±0.3	HEADER ASS'Y	
L	N06-0110	M	Z	07/01'06	±2'			scale 2:1	
M	N08-0099	M	Z	05/20'08	dr	Mike Zhou	07/01'06	dwg no	sheet 1 of 4 size
N	ELX-N-011439	Z	K	04/12/11	enr	Mike Zhou	07/01'06	95548	A4
					chr	Qin David	07/01'06		
					app	Jack Wang	07/01'06	type	CUSTOMER Drawing
sheet	revision	N	N	N	N				
index	sheet	1	2	3	4				

FCI CONFIDENTIAL



This document is the property of and embodies CONFIDENTIAL and PROPRIETARY information of FCI. No part of this information shown on this document may be used in any way or disclosed to others without the written consent of FCI.
Copyright FCI

PRODUCT NO.	DIM "X"		
	4.25±0.1	3.5±0.1	5.0±0.1
95548-****	OTHERS	36,67	1,17,34 35,51,68



95548-□□□

STAND-OFF	00	: 0.0 mm
	20	: 2.0 mm
	22	: 2.2 mm
	30	: 3.0 mm
	40	: 4.0 mm
	43	: 4.3 mm
	50	: 5.0 mm
UPPER DECK	:	5
LOWER DECK	:	0
TOP MOUNT	:	0
BOTTOM MOUNT	:	5

95548-5150	5	2.15
95548-5522	0	9.0
95548-5022	2.2	2.15
95548-5543	0	6.55
95548-5043	4.3	-0.3
95548-5550	0	6.55
95548-5050	5	-0.3
95548-5500	0	10.0
PRODUCT NO.	DIM.L	DIM.K±0.20

mat'l. code	surface	tolerance	projection	product family
	ISO 1302	ISO 406	ISO 1181	PCMCIA
ltr ecn no dr date	tolerances unless otherwise specified			title
N	angles	linear ±0.3	MM	68 POS EJECTOR HEADER HSG HEADER ASS'Y
	±2'		scale	
dr	Mike Zhou	07/01'06		dwg no
enr	Mike Zhou	07/01'06		sheet 2 of 4
chr	Qin David	07/01'06		size
appd	Jack Wang	07/01'06		A4
				type CUSTOMER Drawing
sheet index	revision sheet			

FCI CONFIDENTIAL

FCI
FCIconnect.com

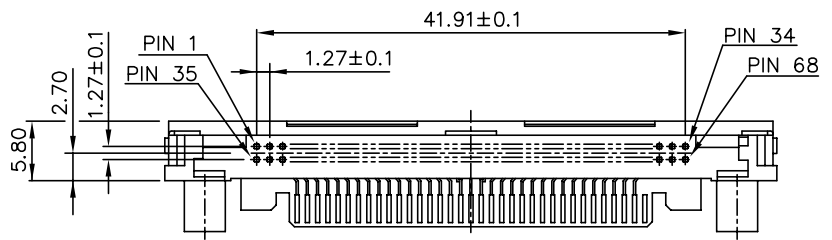
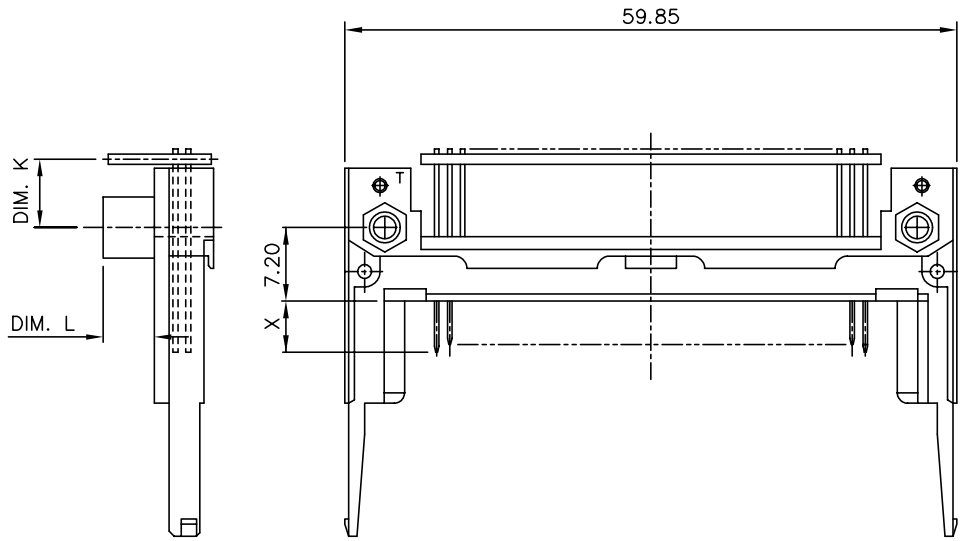
This document is the property of and embodies CONFIDENTIAL and PROPRIETARY information of FCI. No part of this information shown on this document may be used in any way or disclosed to others without the written consent of FCI.
Copyright FCI.

PRODUCT NO.	DIM "X"		
95548-****LF	4.25±0.1	3.5±0.1	5.0±0.1
	OTHERS	36,67	1,17,34 35,51,68

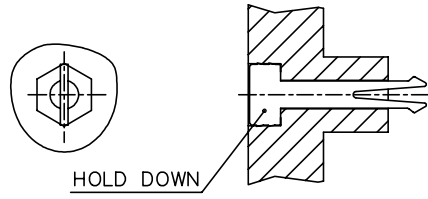
- 95548-□□□□□
- LEAD-FREE OPTION : LF
 - HOLD DOWN : H
 - STAND-OFF
 - 00 : 0.0 mm
 - 20 : 2.0 mm
 - 22 : 2.2 mm
 - 30 : 3.0 mm
 - 40 : 4.0 mm
 - 43 : 4.3 mm
 - 50 : 5.0 mm
 - UPPER DECK : 5
 - LOWER DECK : 0
 - LOWER DECK : 1
(FOR HOLLAND)
 - LOWER DECK : 2
(FOR KOREA)
 - TOP MOUNT : 0
 - BOTTOM MOUNT : 5

95548-0100MLF	0	2.15
95548-0000LF	0	-0.3
95548-0051LF	5	-0.3
95548-0050HLF	5	-0.3
95548-0222LF	2.2	2.15
95548-0150LF	5	-0.3
95548-0100LF	0	2.15
95548-0522LF	0	9.0
95548-0022LF	2.2	2.15
95548-0543LF	0	6.55
95548-0043LF	4.3	-0.3
95548-0550LF	0	6.55
95548-0050LF	5	-0.3
95548-0500LF	0	10.0

PRODUCT NO.	DIM.L	DIM.K±0.20
-------------	-------	------------



NOTE:
1. ADD "H" TO PART NUMBER FOR OPTIONAL HOLD DOWN (2 PER ASSEMBLY).



mat'l. code		surface		tolerance		projection		product family	
		ISO 1302		ISO 406 ISO 1181		1:1		PCMCIA	
ltr ecn no dr date		tolerances unless otherwise specified		angles		linear		title	
N				±2'		±0.3		68 POS EJECTOR HEADER HSG HEADER ASS'Y	
						MM		dwg no sheet3of4 size	
				dr		scale		95548 A4	
				enr		Mike Zhou 07/01'06		type CUSTOMER Drawing	
				chr		Qin David 07/01'06			
				appd		Jack Wang 07/01'06			
sheet index		revision sheet							

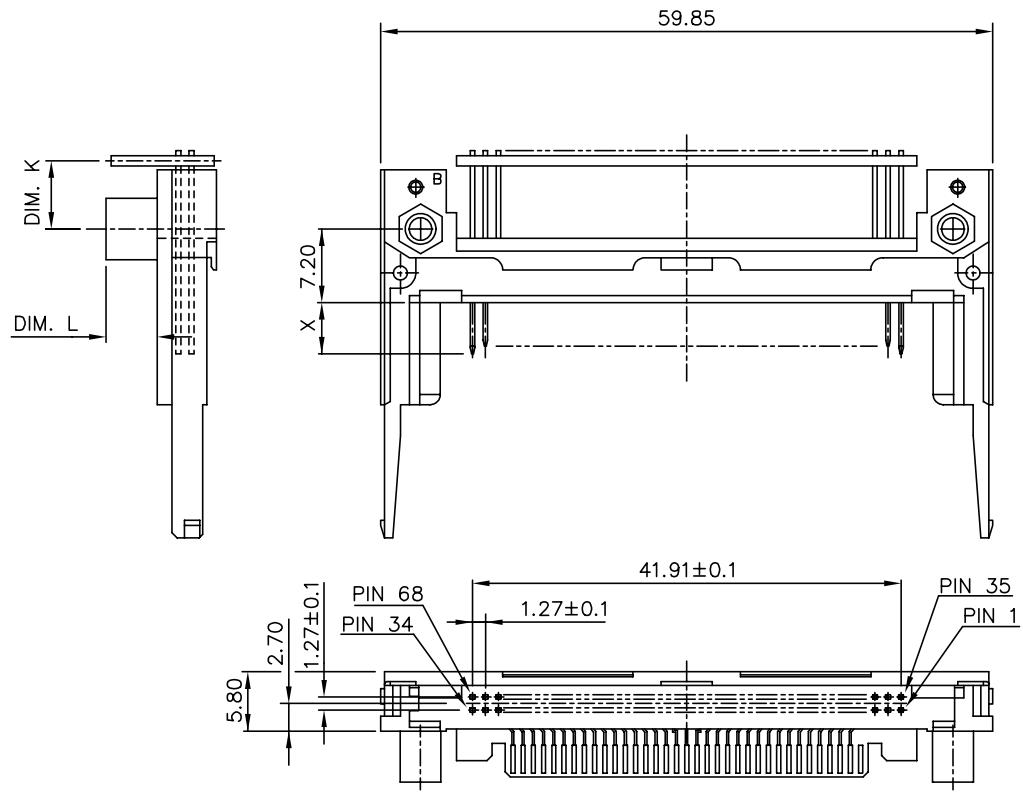
FCI CONFIDENTIAL



This document is the property of and embodies CONFIDENTIAL and PROPRIETARY information of FCI. No part of this information shown on this document may be used in any way or disclosed to others without the written consent of FCI.

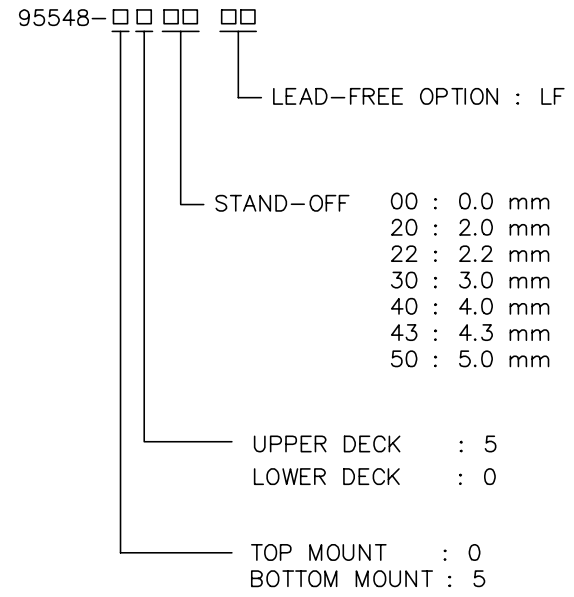


PRODUCT NO.	DIM"X"		
	4.25±0.1	3.5±0.1	5.0±0.1
95548-****LF	OTHERS	36,67	1,17,34 35,51,68



Note:
 1. FINISH (PIN)
 UNDER PLATING :0.5 μm MIN. Ni
 CONTACT AREA :0.076 μm MIN. GOLD

SOLDER TAIL:
 TIN LEAD PLATING: 2.5 μm MIN. Sn-Pb
 LEAD FREE PLATING: 2.5 μm MIN. PURE TIN
 2. IF LEAD FREE P/N. THE HOUSING WILL WITHSTAND EXPOSURE TO 260°C PEAK FOR 10 SECONDS IN A WAVE SOLDER APPLICATION WITH A 1.00MM MINIMUM THICK CIRCUIT BOARD
 3. IF LEAD FREE P/N. PACKAGING MEETS GS-14-920 SPECIFICATION



95548-5150LF	5	2.15
95548-5522LF	0	9.0
95548-5022LF	2.2	2.15
95548-5543LF	0	6.55
95548-5043LF	4.3	-0.3
95548-5550LF	0	6.55
95548-5050LF	5	-0.3
95548-5500LF	0	10.0

PRODUCT NO.	DIM.L	DIM.K±0.20
-------------	-------	------------

4. PRODUCT SPEC:110-263

mat'l. code	surface	tolerance	projection	product family
	ISO 1302	ISO 406 ISO 1101	1:1	PCMCIA
ltr ecn no dr date	tolerances unless otherwise specified			title
N	angles	linear ±0.3	MM	68 POS EJECTOR HEADER HSG HEADER ASS'Y
	±2'		scale	
dr	Mike Zhou	07/01'06	FCI	dwg no
enr	Mike Zhou	07/01'06		sheet4 of 4
chr	Qin David	07/01'06		size
appd	Jack Wang	07/01'06		A4
				type CUSTOMER Drawing
sheet index	revision sheet			