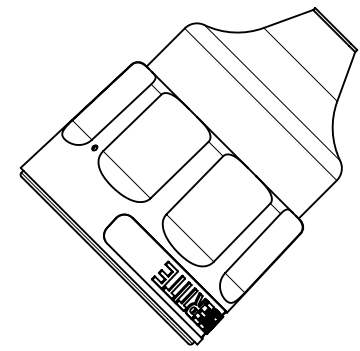
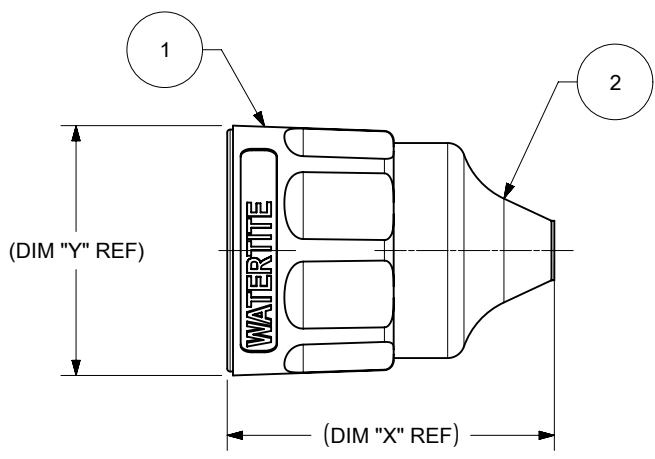


6 5 4 3 2 1

ORDER NO.	WOODHEAD NO.	COLOR	BODY SIZE	CORD GRIP	CABLE RANGE	DIM "X" REF	DIM "Y" REF
1301550195	14WBOOT	YELLOW	F2	1/2"	0.375 - 0.625	1.70	1.30
1301550196	14WBOOT-BLK	BLACK	F2	1/2"	0.375 - 0.625	1.70	1.30
1301550210	26WBOOT	YELLOW	F3	3/4"	0.437 - 0.812	2.12	1.50
1301550211	26WBOOT-BLK	BLACK	F3	3/4"	0.437 - 0.812	2.12	1.50
1301550212	28WBOOT	YELLOW	F4	1"	0.562 - 0.937	2.32	1.90
1301550213	28WBOOT-BLK	BLACK	F4	1"	0.562 - 0.937	2.32	1.90



ITEM NO.	DESCRIPTIONS	MATERIAL	QTY.
1	COMPRESSION NUT	NYLON	1
2	CABLE GLOVE	SILICONE	1

<b>FUNCTIONAL SYMBOLS</b> $\frac{F}{A} = 0$ $\frac{F}{E} = 0$ $\frac{F}{P} = 0$	THIS DRAWING CONTAINS INFORMATION THAT IS PROPRIETARY TO MOLEX ELECTRONIC TECHNOLOGIES, LLC AND SHOULD NOT BE USED WITHOUT WRITTEN PERMISSION		CURRENT REV DESC: RELEASED		 COMPRESSION NUT & CABLE GLOVE PRODUCT CUSTOMER DRAWING				
	DIMENSION UNITS: <b>INCH</b> SCALE: <b>NTS</b>	GENERAL TOLERANCES (UNLESS SPECIFIED) ANGULAR TOL ± °				EC NO: 653868 DRWN: DNGUYEN62 2021/01/26 CHK'D: WLEUNG 2021/01/28 APPR: HKNEELAND 2021/02/04			
	<b>DIVISIONAL SYMBOLS</b> 4 PLACES ± 3 PLACES ± 2 PLACES ± 1 PLACE ± 0 PLACES ±	INITIAL REVISION: DRWN: DNGUYEN62 2021/01/26 APPR: HKNEELAND 2021/02/04		DOCUMENT NUMBER: <b>1301550195</b>			DOC TYPE: <b>PSD</b>	DOC PART: <b>000</b>	REVISION: <b>A</b>
	DRAFT WHERE APPLICABLE MUST REMAIN WITHIN DIMENSIONS	THIRD ANGLE PROJECTION	DRAWING: <b>A-SIZE</b>	SERIES: <b>130155</b>			MATERIAL NUMBER: <b>SEE TABLE</b>	CUSTOMER:	SHEET NUMBER: <b>1 OF 1</b>

DOCUMENT STATUS	P1	RELEASE DATE	2021/02/04	00:24:24
-----------------	----	--------------	------------	----------

6 5 4 3 2 1

FORMAT: master-db-prod-A  
 REVISION: J  
 DATE: 2020/01/14