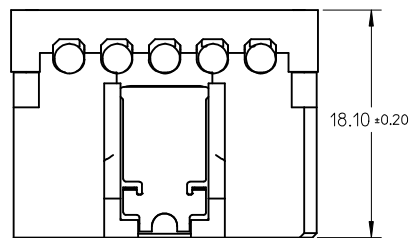
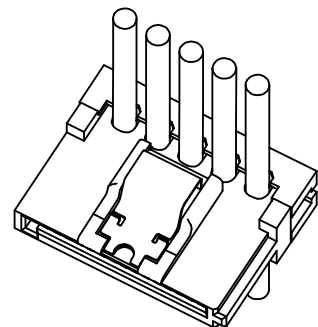
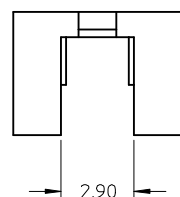
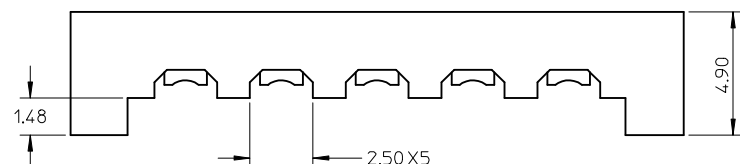
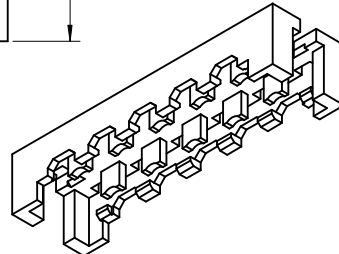
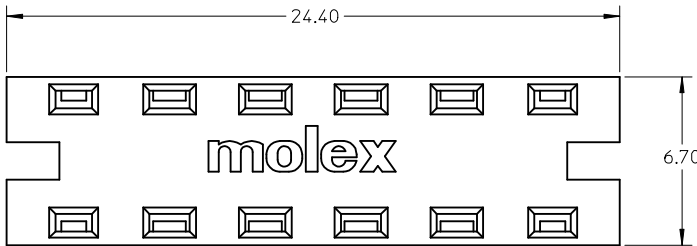
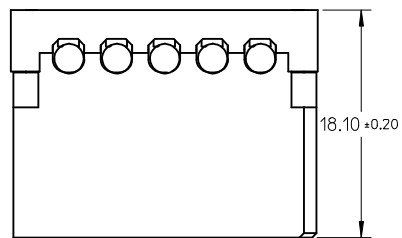
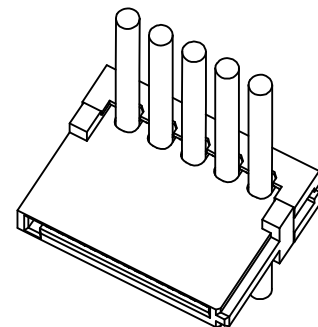


10 9 8 7 6 5 4 3 2 1



APPLICATION FOR WITH LATCH TYPE



APPLICATION FOR WITHOUT LATCH TYPE

P/N	REMARK
67926-0041	NON HALOGEN-FREE
67926-0841	HALOGEN-FREE

NOTE

- MATERIAL: THERMAL PLASTIC, COLOR : BLACK UL94V-0.
- THIS COVER IS FEED THROUGH TYPE, IT IS AVAILABLE FOR 67926-000*/002*(WITH LATCH), 67926-001*(WITHOUT LATCH).
- PACKAGE SPEC:
 - 1000 PCS IN ONE BAG.
 - 3000 PCS(3 PAGES) IN ONE INNER CARTON.
 - 12,000 PCS(4 INNER CARTONS) IN ONE OUTER CARTON.

ADD PART NUMBER EC NO: SH2009-0536 DRAWN: XJ SONG 2009/05/05 CHKD: XJ SONG 2009/06/19 APPR: HWANG 2009/06/23	REV	DESCRIPTION

QUALITY SYMBOLS
▽=0
∇=0

GENERAL TOLERANCES (UNLESS SPECIFIED)	mm	INCH
	4 PLACES	± --- ± ---
	3 PLACES	± --- ± ---
	2 PLACES	± 0.15 ± ---
	1 PLACE	± 0.25 ± ---
ANGULAR ± 1 °		
DRAFT WHERE APPLICABLE MUST REMAIN WITHIN DIMENSIONS		

DIMENSION STYLE MM ONLY	
DRAWN BY GRATE MA	DATE 2004/04/25
CHECKED BY YAJUN	DATE 2004/04/25
APPROVED BY SAM	DATE 2004/04/25
MATERIAL NO. SEE TABLE	

SCALE 5:1	DESIGN UNITS METRIC	THIRD ANGLE PROJECTION
TITLE COVER FOR SATA POWER CONNECTOR IDT TYPE		
MOLEX INCORPORATED		SHEET NO. 1 OF 1
DOCUMENT NO. SD-67926-004		
THIS DRAWING CONTAINS INFORMATION THAT IS PROPRIETARY TO MOLEX INCORPORATED AND SHOULD NOT BE USED WITHOUT WRITTEN PERMISSION		

9 8 7 6 5 4 3 2 1