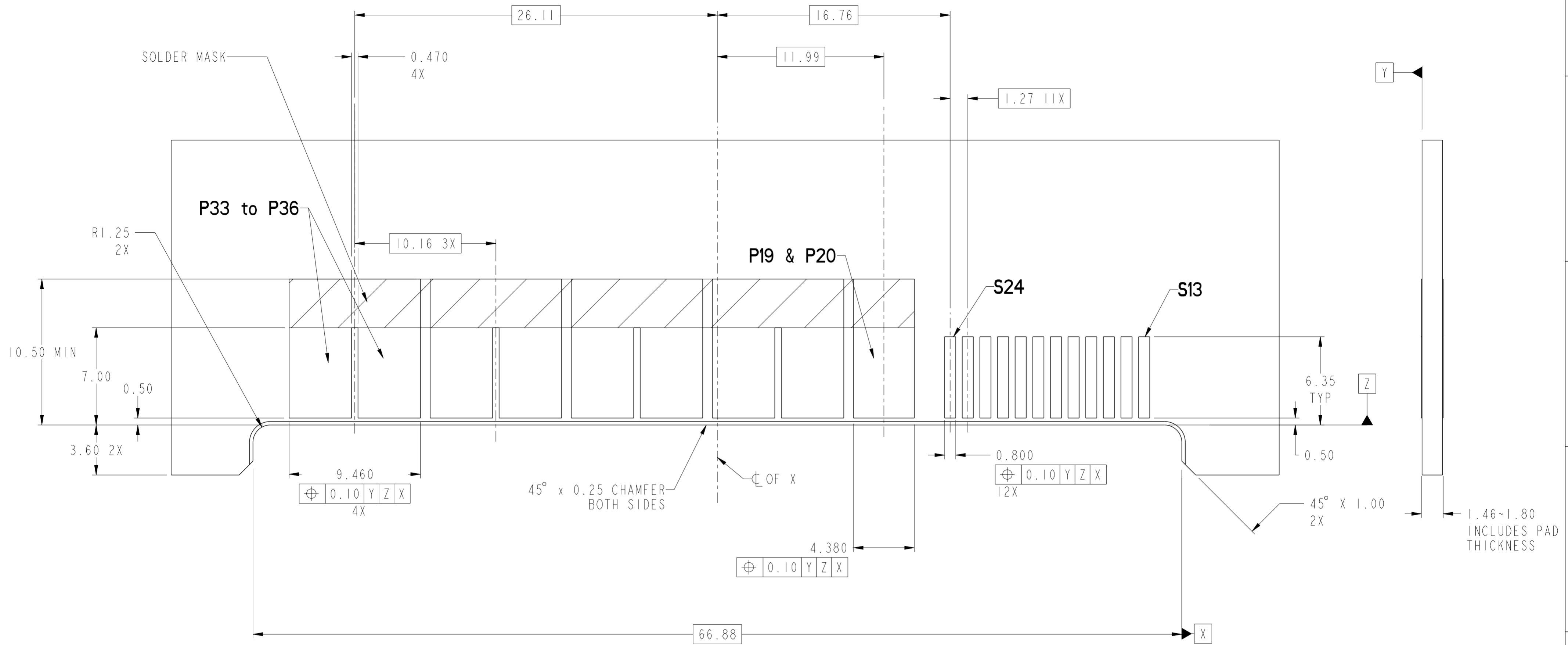


REV	ECN NO.	DR	DATE
A	---	Helen	2011-07-08
B	ELX-DG-008380-1	Helen	2011-12-01

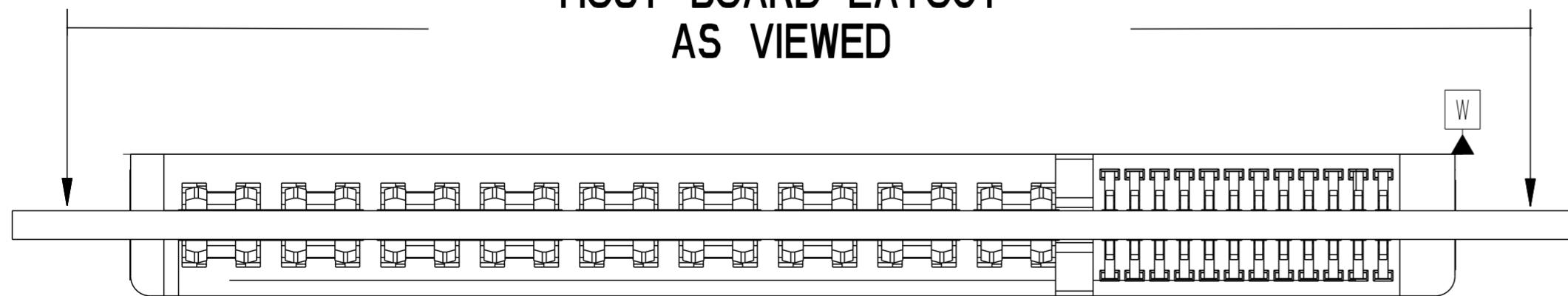
spec ref	-	dr	Wei-Long Zhang	2011/07/08	projection	MM	size	A2	scale	4:1
tolerance std	ASME Y14.5	eng	Wei-Long Zhang	2011/12/01		CARD EDGE	rel level	Blue	ecn no	ELX-DG-008380-1
surface	✓	chr	Eleven Hu	2011/12/09						
ASME Y14.5	linear	0.X	±0.30		HPCE-STRADDLE MT (36P-24S) (RECEPTACLE) SPECIAL CASE	dwg no 10118086	rev B	product family CARD EDGE	rel level Blue	
		0.XX	±0.10							
		0.XXX	±0.05							
	angular	0°	±3°	www.fci.com	cat. no.	-	Product - Customer Drw	sheet 1 of 5		

Copyright FCI. FCI

NEW RECOMENDED HOST BOARD LAYOUT FOR IMPROVED SOLDER REFLOW PROCESS



HOST BOARD LAYOUT AS VIEWED

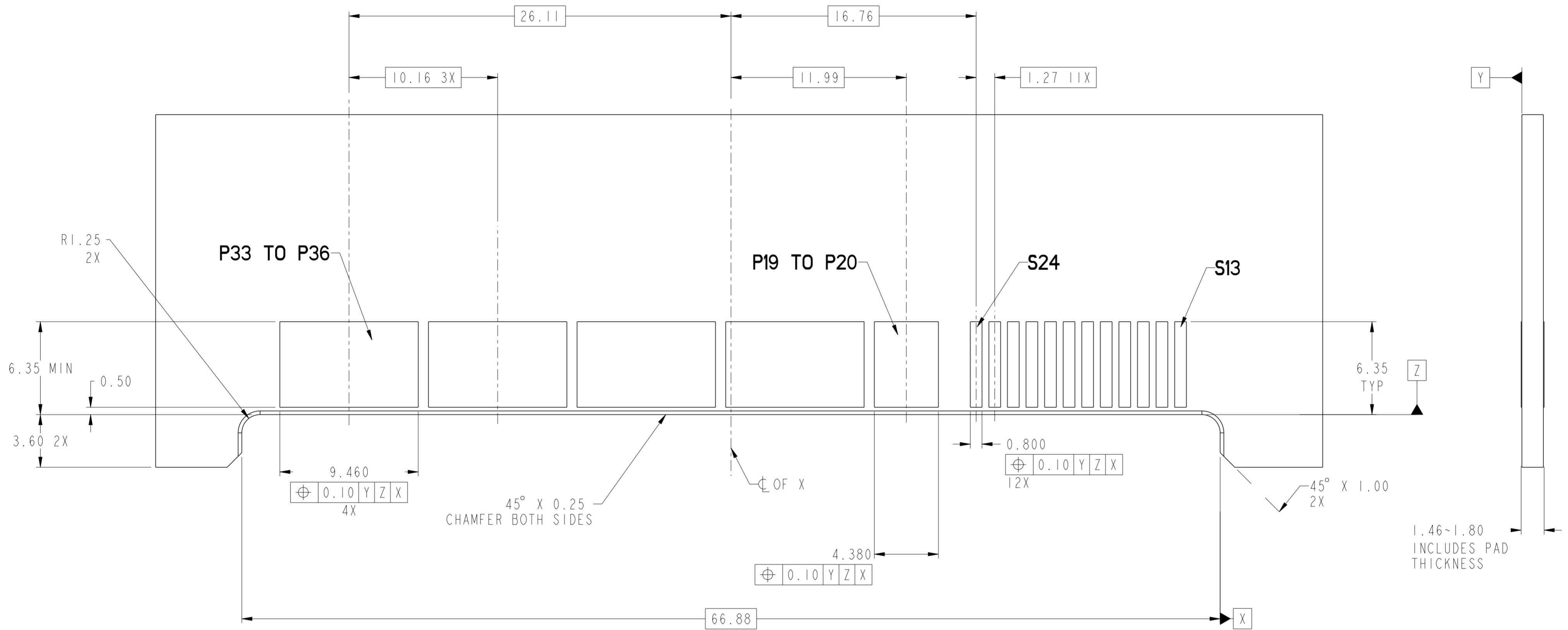


SCALE 7:2

spec ref	-	dr	Wei-Long Zhang	2011/07/08	projection	MM	size	A2	scale	4:1
tolerance std	ASME Y14.5	eng	Wei-Long Zhang	2011/12/01			ecn no	ELX-DG-008380-1	rel level	Released
TOLERANCES UNLESS OTHERWISE SPECIFIED		chr	Eleven Hu	2011/12/09						
surface	ASME Y14.5	appr	Pai-Ming Zheng	2011/12/09			title	HPCE-STRADDLE MT (36P-24S) (RECEPTACLE) SPECIAL CASE	dwg no	10118086
linear	0.X ±0.30 0.XX ±0.10 0.XXX ±0.05	www.fci.com		cat. no.	Product - Customer Drw		sheet 2 of 5	rev	B	
angular	0° ±3°	PDS: Rev :B		STATUS:Released		Printed: Dec 09, 2011				

Copyright FCI.

OLD RECOMENDED HOST BOARD LAYOUT



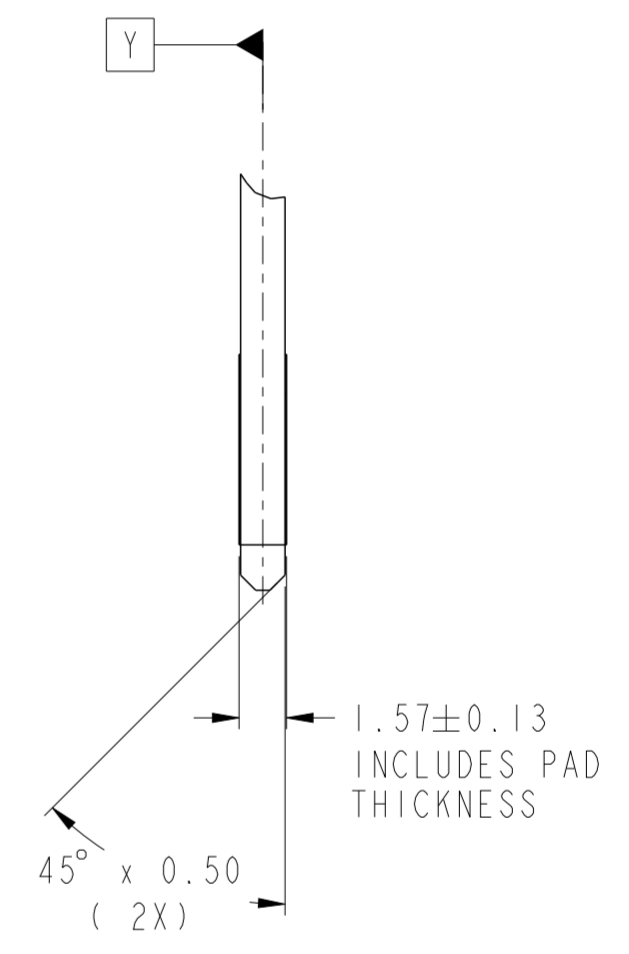
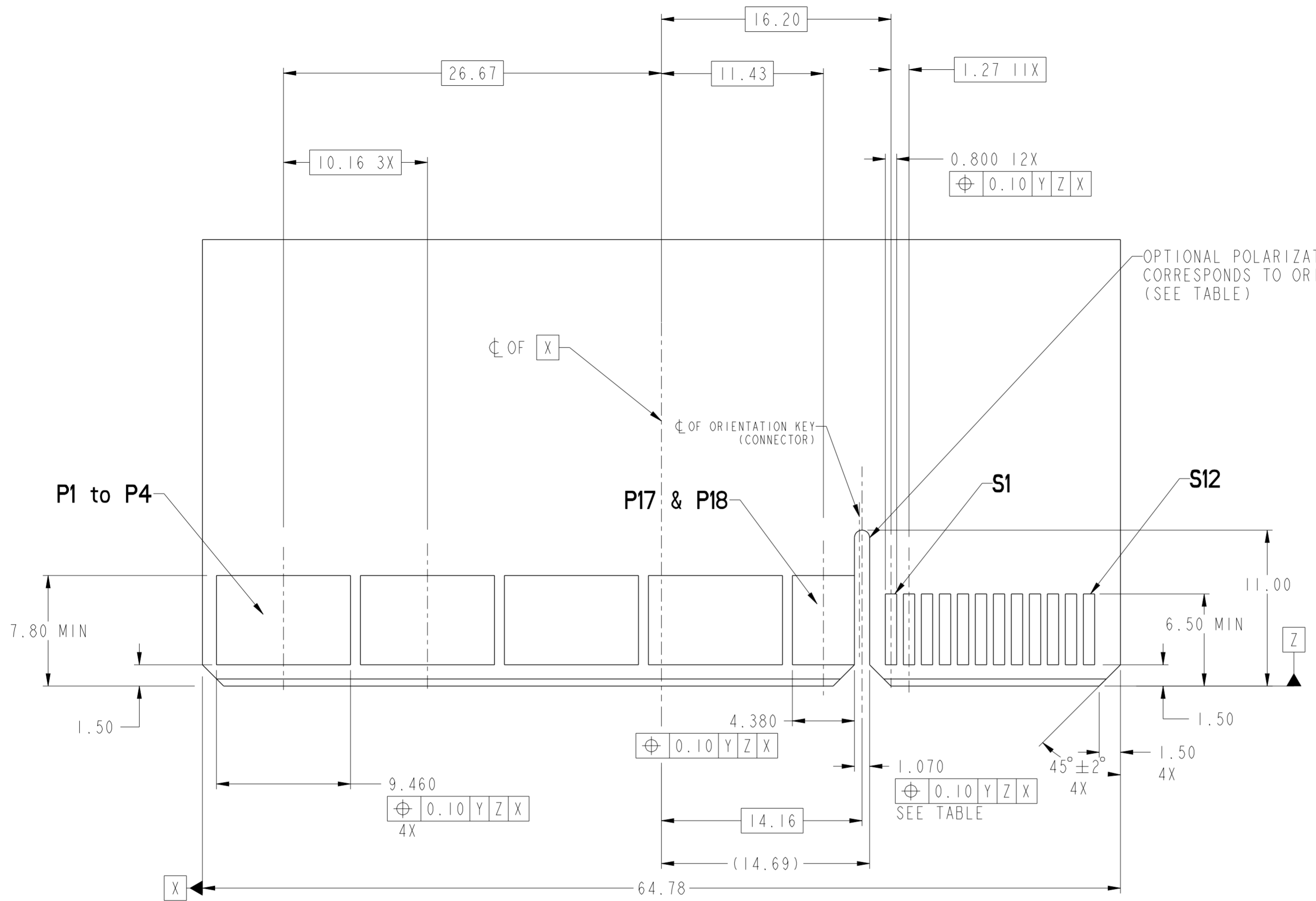
Copyright FCI.

spec ref	-	dr	Wei-Long Zhang	2011/07/08	projection	MM	size	A2	scale	4:1
tolerance std	ASME Y14.5	eng	Wei-Long Zhang	2011/12/01			ecn no	ELX-DG-008380-1	rel level	Released
TOLERANCES UNLESS OTHERWISE SPECIFIED		chr	Eleven Hu	2011/12/09						
surface	ASME Y14.5	appr	Pei-Ming Zheng	2011/12/09	product family	CARD EDGE	title	HPCE-STRADDLE MT (36P-24S) (RECEPTACLE) SPECIAL CASE	dwg no	10118086
linear	0.X ±0.30 0.XX ±0.10 0.XXX ±0.05	www.fci.com	cat. no.	-	Product - Customer Drw	sheet 3 of 5	rev	B		
angular	0° ±3°									

PDS: Rev :B

STATUS:Released

Printed: Dec 09, 2011



RECOMMENDED MATING BOARD FOOTPRINT

spec ref	-	dr	Wei-Long Zhang	2011/07/08	projection	MM	size	A2	scale	4:1
tolerance std	ASME Y14.5	eng	Wei-Long Zhang	2011/12/01			ecn no	ELX-DG-008380-1	rel level	Released
TOLERANCES UNLESS OTHERWISE SPECIFIED		chr	Eleven Hu	2011/12/09						
surface	✓	appr	Pai-Ming Zheng	2011/12/09			title	HPCE-STRADDLE MT (36P-24S)	dwg no	10118086
ASME Y14.5	linear	0.X	±0.30	0.XX	±0.10	0.XXX	±0.05	angular	0°	±3°
		www.fci.com		cat. no.	-		Product - Customer Drw	sheet 4 of 5		

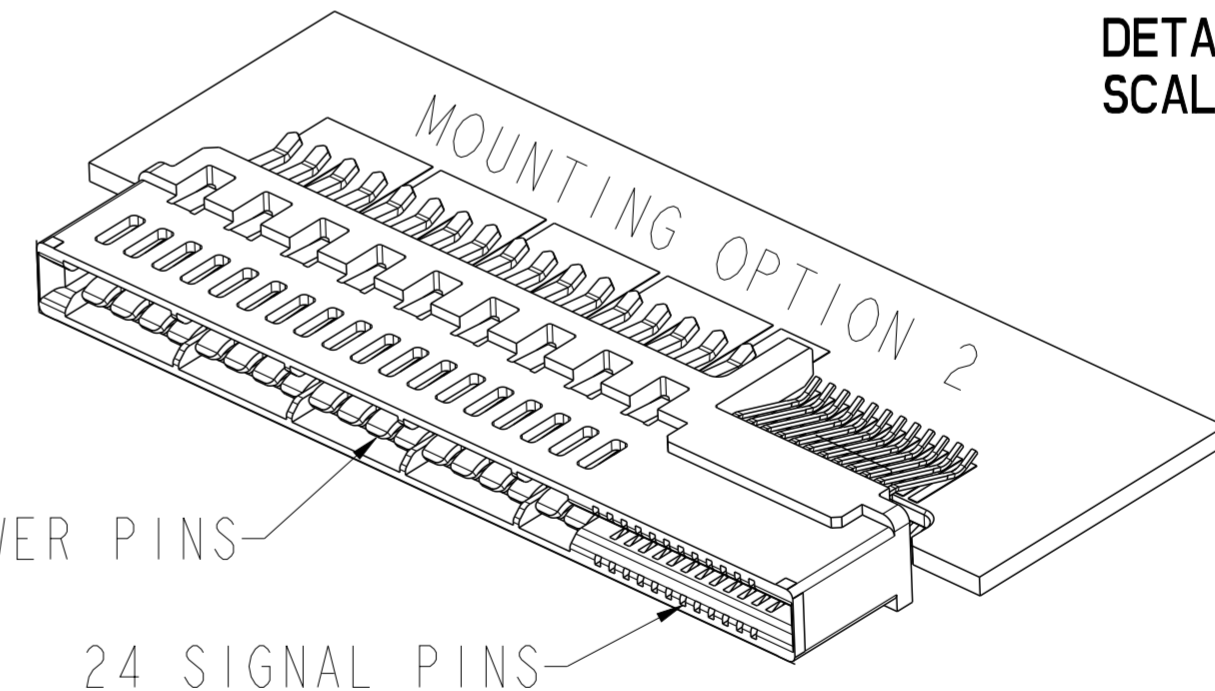
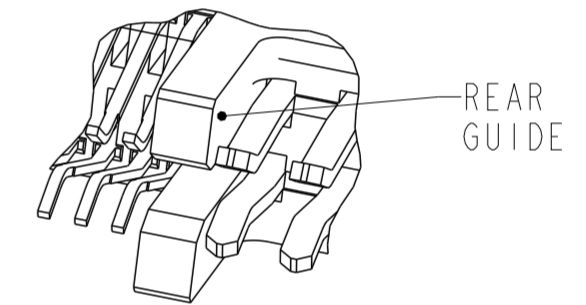
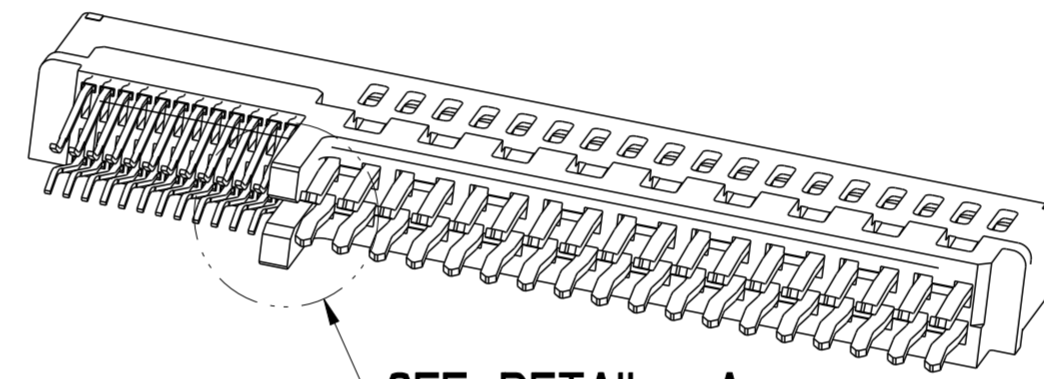
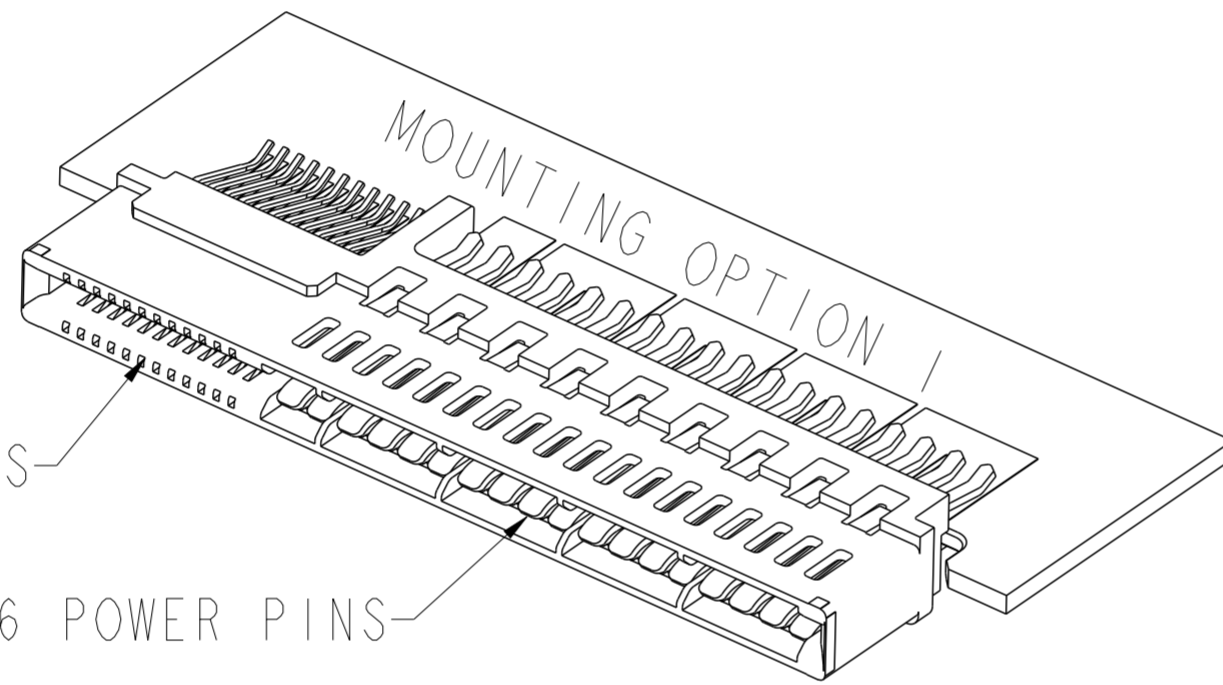
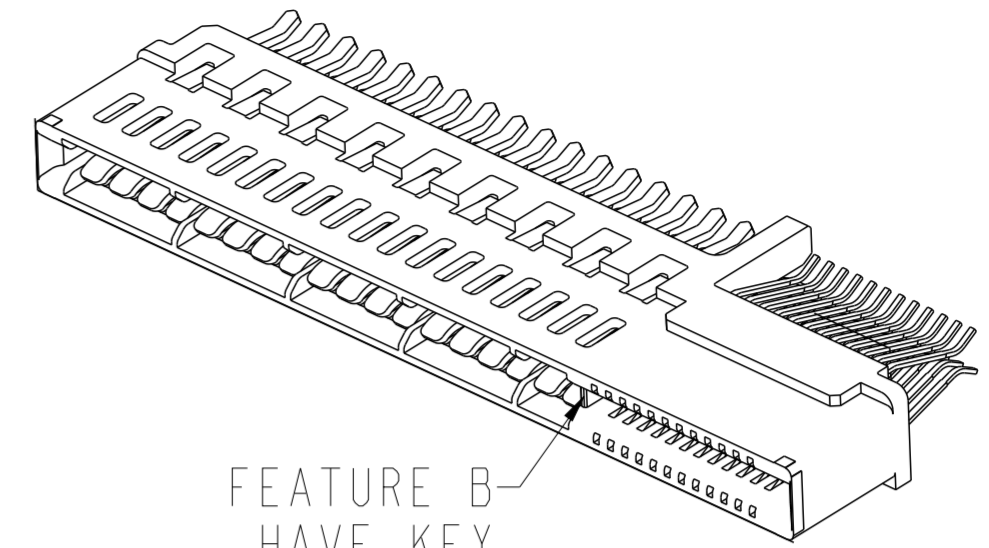
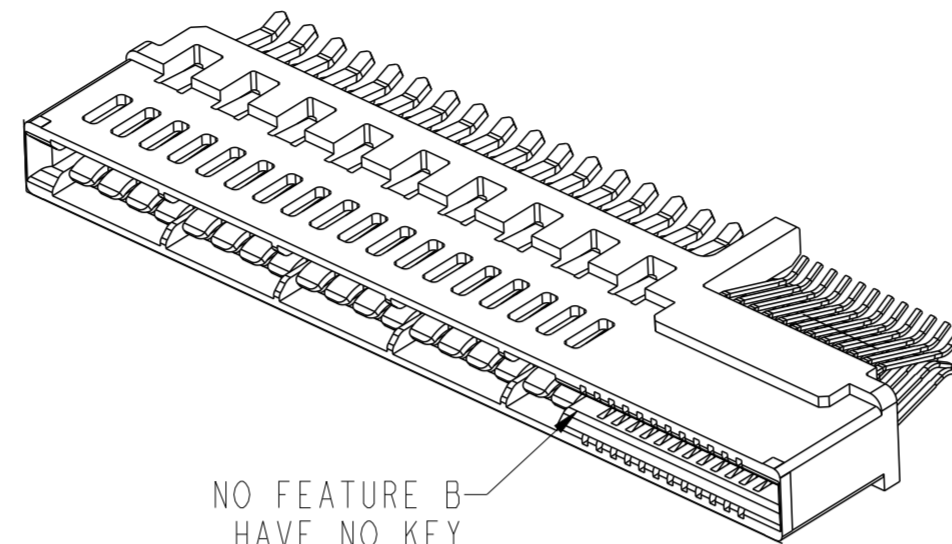
PDS: Rev :B

STATUS:Released

Printed: Dec 09, 2011

Copyright FCI.

PART NUMBER	FEATURE B FRONT POLARIZATION KEY
10118086-001LF	YES
10118086-002LF	NO



DETAIL A
SCALE 4:1

NOTES:

1. CONNECTOR MATERIALS:
 HOUSING: HIGH TEMPERATURE THERMAL PLASTIC, BLACK
 UL 94V-0 COMPLIANT
 CONTACTS: HIGH PERFORMANCE COPPER ALLOY.
2. CONTACT FINISH REF. GS-12-604 SECTION 5.2.
3. PRODUCT SPECIFICATION: GS-12-604.
4. APPLICATION SPECIFICATION: GS-20-128.
5. PRODUCT MARKING (FCI - PART NUMBER & DATE CODE) ON HOUSING IN AREA SHOWN.
6. PACKAGING MEETS FCI SPECIFICATION GS-14-937.
7. HOUSING COMPONENT WILL WITHSTAND EXPOSURE TO 260°C PEAK TEMPERATURE FOR 60 SECONDS IN A CONVECTION, INFRA-RED, OR VAPOR PHASE REFLOW OVEN.
8. THE OLD RECOMENDED BOARD IS ASSOCIATED WITH -001 & -002 PARTS. THE NEW HOST BOARD CAN BE USED WITH ALL DASH NUMBERS AND IS FOR IMPROVED SOLDER REFLOW PROCESS.

spec ref	-	dr	Wei-Long Zhang	2011/07/08	projection	MM	size	A2	scale	4:1
tolerance std	ASME Y14.5	eng	Wei-Long Zhang	2011/12/01		CARD EDGE	ecn no	ELX-DG-008380-1		
TOLERANCES UNLESS OTHERWISE SPECIFIED		chr	Eleven Hu	2011/12/09			rel level	Released		
surface	linear	appr	Pei-Ming Zheng	2011/12/09	product family	HPCE-STRADDLE MT (36P-24S)		dwg no	10118086	
	angular	www.fci.com		cat. no.	Product - Customer Drw		rev	B		