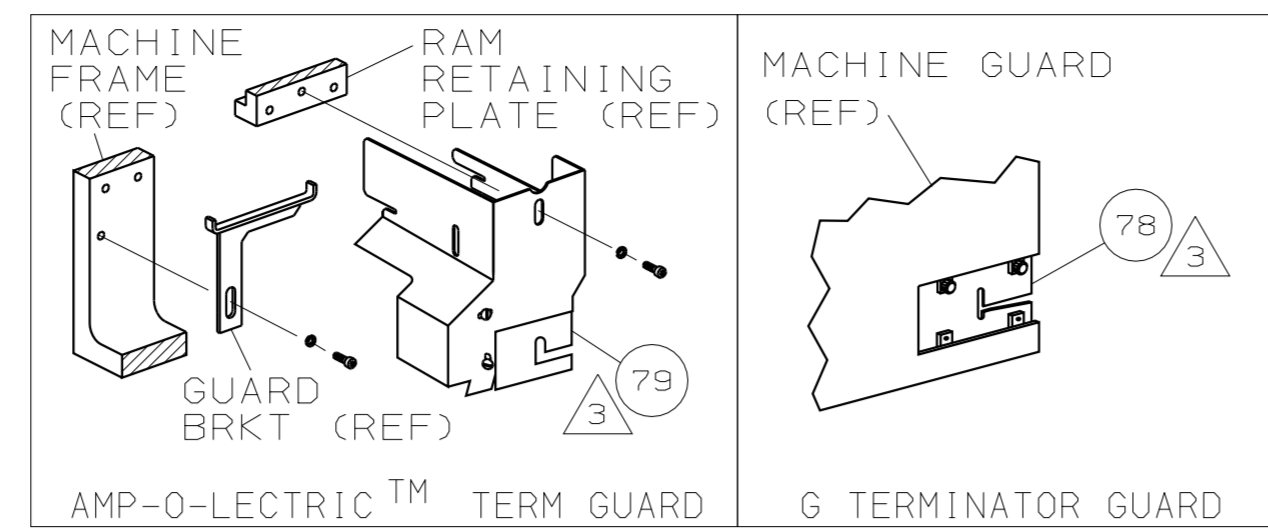


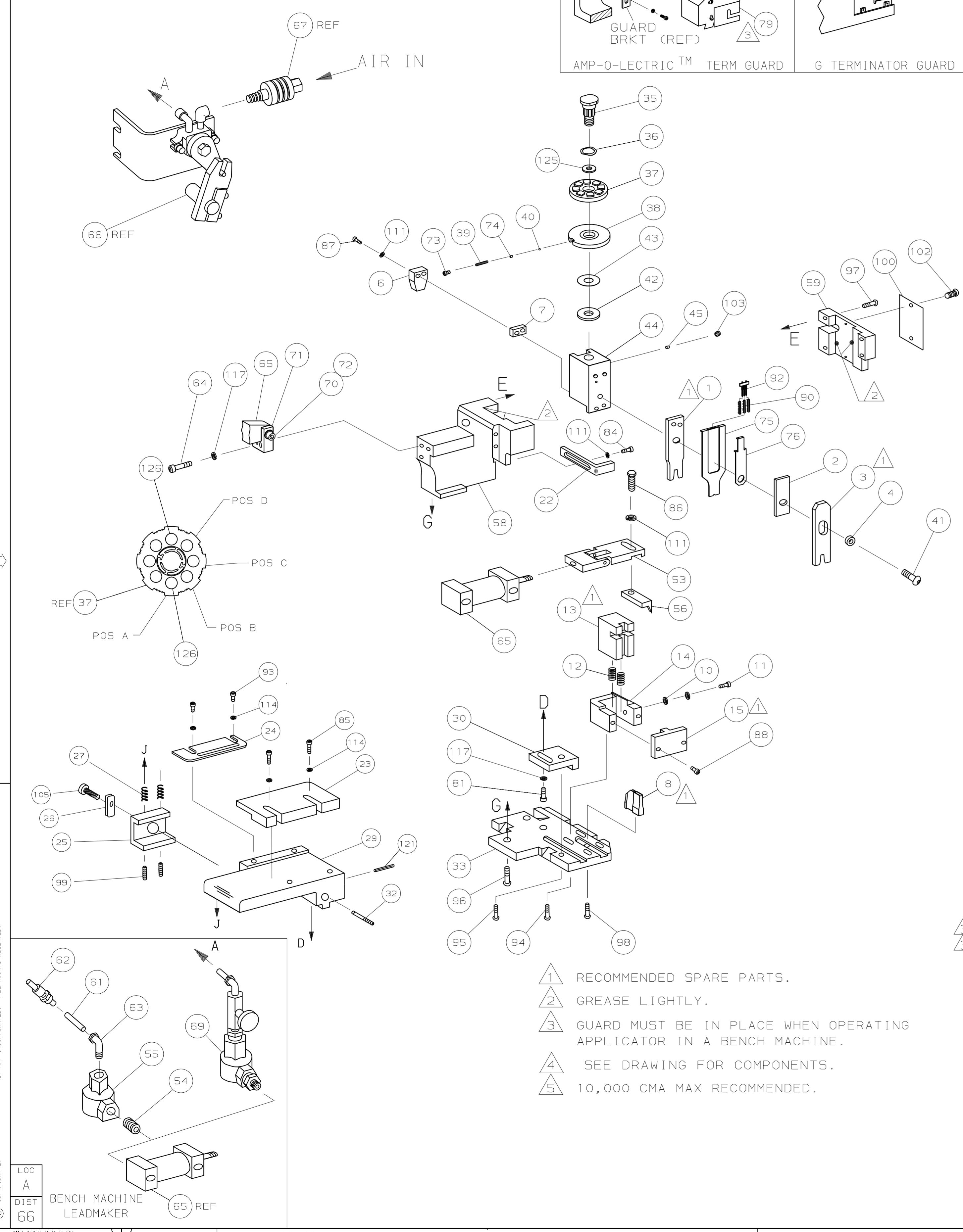
PART NUMBER	REV	FIRST USED
1852069-1	A	122500-1
1852069-2	A	565435-5
1852069-3	A	354500-1



TERMINAL NAME: TERMINAL, FEMALE 56 SERIES					
AMP TERM PN	MFR TERM PN	PACKARD TERMINAL	PACKARD CRIMP SPECS		
1572731-1	6288913				
		PAD LTR	CRIMP HEIGHT	WIRE SIZE	
		A	2.35 ±0.05mm [.093 ±.002]	5.0mm <sup>2</sup> △	
		B	NOT	USED	
		C	NOT	USED	
		D	NOT	USED	
		CRIMP	SIZE	TYPE	RANGE
		WIRE	4.1mm [.157]	F	5.0mm <sup>2</sup> △
		INSUL	6.1mm [.230]	F	φ4.32-4.48mm
WIRE STRIP LENGTH	TERM APPL	SPEC	FEED	APPL INSTRUCTION	SET UP GAGE
5.1mm [.201]	NONE		.687	408-8040	458637-1
				LAYOUT	L4024

-1 LEADMAKER		AIRFEED					
-2	BENCH MODEL K	AIRFEED					
-3	BENCH MODEL G	AIRFEED					
1	1	-	A	21024-8	WASHER, LOCK 3/8	70	
-	1	-	C	692655-5	AIR FEED VALVE ASSY	69	
-	REF	-	A	24042-2	VALVE, SHUT OFF	67	
-	REF	-	C	692655-6	AIR FEED VALVE ASSY	66	
1	1	1	-	B	461065-1	AIR FEED ASSY (1 INCH)	65
2	2	2	-	A	3-21000-9	SCR,SHC(10-32x1.00)AIR ASSY	64
1	-	1	-	A	980285-2	ELBOW, SWIVEL 1/8 NPT - 1/4 T	63
1	-	1	-	A	23238-1	QUICK DISCONNECT	62
21.00	-	21.00	IN	A	27319-4	TUBING, POLY-FLO φ.25	61
1	1	1	-	C	454220-1	CAP, RAM	59
1	1	1	-	D	454485-1	HOUSING	58
1	1	1	-	B	2-694433-8	PAWL, FEED	56
1	-	1	-	B	22374-7	VALVE, QUICK EXHAUST	55
1	-	1	-	B	22304-1	NIPPLE, HEX 1/8NPT	54
1	1	1	-	B	461062-1	FEED FINGER ASSY	53
							52
							51
							50
							49
							48
							47
							46
1	1	1	-	A	690191-1	PLUG, NYLON	45
1	1	1	-	C	455673-1	RAM	44
1	1	1	-	A	690125-1	WASHER, LAMINATED	43
1	1	1	-	A	690124-1	WASHER, RAM	42
1	1	1	-	A	7-21002-9	BOLT, CRIMPER(5/16x1.00)	41
1	1	1	-	A	23241-6	BALL, STEEL	40
1	1	1	-	A	690170-1	SPRING, COMPRESSION	39
1	1	1	-	C	690142-1	DISC, INSULATION	38
1	1	1	-	D	354777-1	WIRE DISC, PLASTIC	37
1	1	1	-	A	22480-5	WASHER, SPRING	36
1	1	1	-	B	690212-1	POST, RAM	35
							34
1	1	1	-	D	455675-3	PLATE, BASE	33
1	1	1	-	A	690432-3	SCREW, ADJUSTMENT	32
							31
1	1	1	-	B	455689-1	BLOCK, STRIP GUIDE ADJ	30
1	1	1	-	C	2-844048-0	PLATE, STRIP GUIDE	29
							28
2	2	2	-	A	1-22284-0	SPRING, DRAG	27
1	1	1	-	B	240793-1	LEVER, DRAG RELEASE	26
1	1	1	-	B	1673009-1	DRAG, TERMINAL	25
1	1	1	-	D	1-690438-8	GUIDE, STRIP (REAR)	24
1	1	1	-	A	1-189124-1	GUIDE, STRIP (FRONT)	23
1	1	1	-	B	690472-2	STRIPPER	22
							21
							20
							19
							18
							17
							16
1	1	1	-	B	1673661-2	PLATE, SHEAR (REAR)	15
1	1	1	-	B	1673660-2	HOLDER, SHEAR (REAR)	14
1	1	1	-	C	1673662-2	SHEAR, FLOAT (REAR)	13
2	2	2	-	A	3-22280-5	SPRING, SHEAR	12
1	1	1	-	B	690461-2	STOP, SHEAR	11
2	2	2	-	B	21055-5	FLAT WASHER (#6)	10
							9
1	1	1	-	C	7-318711-7	ANVIL	8
1	1	1	-	C	7-240641-6	SPACER, DEPRESSOR (REAR)	7
1	1	1	-	A	690468-3	DEPRESSOR, SHEAR (REAR)	6
							5
1	1	1	-	B	1-238009-1	SPACER, BLOCK CRIMPER	4
1	1	1	-	C	6-1424909-0	CRIMPER, INSULATION	3
1	1	1	-	C	455888-3	SPACER, CRIMPER	2
1	1	1	-	C	1633305-3	CRIMPER, WIRE	1

QTY	REQD	PER	ASSY	PARTS LIST	DESCRIPTION	ITEM NO	
						129	
						128	
						127	
2	2	2	-	C	5-354778-4	PIN, WIRE DISC (.2765)A	126
1	1	1	-	A	986950-1	WASHER, FLAT PRECISION	125
1	1	1	-	A	217238-1	GENERAL INSTRUCTION PACKAGE	124
1	1	1	-	-	4088040	SF APPL INST 408-8040	123
						122	
1	1	1	-	A	4-21028-0	PIN,SLT SPR(φ.093x.75)ST GDE PL	121
						120	
						119	
						118	
3	3	3	-	A	21024-5	WASHER, LOCK (#10)ADJ BLOCK	117
						116	
						115	
4	4	4	-	A	21024-2	WASHER, LOCK (#4)FRONT STP GUIDE	114
						113	
						112	
4	4	4	-	A	21024-4	WASHER, LOCK (#8)STRIPPER	111
						110	
						109	
						108	
						107	
						106	
1	1	1	-	A	22353-8	SCR,SHLD, SLOT HEAD (8-32)	105
						104	
1	1	1	-	A	21009-2	SCR,SKT SET(1/4-20x.25 LW)RAM	103
2	2	2	-	A	21017-2	SCR,DRIVE (#2x.19)ID PLATE	102
						101	
1	1	1	-	B	461264-1	PLATE, IDENTIFICATION	100
2	2	2	-	A	5-21006-6	SCR,SET (10-32x.88)DRAG	99
1	1	1	-	A	22733-8	SCR,BHC (8-32x.38 LW)ANVIL	98
4	4	4	-	A	2-21002-9	SCR,BHC (10-32x.75)CAP	97
3	3	3	-	A	2-22733-8	SCR,BHC (1/4-20x.62)HSG	96
1	1	1	-	A	2-21002-7	SCR,BHC (10-32x.50)SG ADJ BLK	95
2	2	2	-	A	2-21002-2	SCR,BHC (8-32x.50)TERM H DWN	94
2	2	2	-	A	1-21000-3	SCR,SHC (4-40x.25)R STP GDE	93
1	1	1	-	A3	1424350-1	HOLDER, PIN, WIRED	92
						91	
3	3	3	-	A	2-23147-2	SPRING, DEPRESSOR	90
						89	
2	2	2	-	A	1-21000-8	SCR,SHC (6-32x.25)R SHEAR PLATE	88
2	2	2	-	A	3-21000-1	SCR,SHC (8-32x1.00)DEP-HOLD	87
1	1	1	-	A	2-22603-1	SCR,HEX HD(8-32x.31)FEED FINGER	86
2	2	2	-	A	1-21000-5	SCR,SHC (4-40x.50)FR ST GUIDE	85
1	1	1	-	A	2-21000-7	SCR,SHC (8-32x.50)STRIPPER	84
						83	
						82	
1	1	1	-	A	3-21000-4	SCR,SHC (10-32x.38)SG ADJ BL	81
						80	
-	REF	-	-	B	455749-1	GUARD, WINDOW	79
REF	-	-	-	B	679532-1	INSERT, GUARD	78
						77	
1	1	1	-	A3	1490524-2	SPACER, DEPRESSOR	76
1	1	1	-	A2	1490525-2	DEPRESSOR, WIRE	75
1	1	1	-	A	690603-1	SPRING, ASSIST	74
1	1	1	-	A	23030-1	SCR,SHC (6-32x.25 SL)INS DISC	73
1	1	1	-	A	3-21001-5	SCR,SHC (3/8-16x1.00)AIR FEED	72
1	1	1	-	B	459610-1	MOUNT, FEED BRACKET	71
-3	-2	-1	U/M	DWG SIZE	PART NO	DESCRIPTION	ITEM NO



- △ 1 RECOMMENDED SPARE PARTS.
- △ 2 GREASE LIGHTLY.
- △ 3 GUARD MUST BE IN PLACE WHEN OPERATING APPLICATOR IN A BENCH MACHINE.
- △ 4 SEE DRAWING FOR COMPONENTS.
- △ 5 10,000 CMA MAX RECOMMENDED.

DIMENSIONS IN INCHES. DO NOT SCALE PRINT. TOLERANCES UNLESS OTHERWISE SPECIFIED:		MATERIAL		FINISH	
DR	13JUN05	APP	14JUN05	T.ELBIN	
2	PLC DEC ±	CHK	13JUN05	REL	
3	PLC DEC ±	R.O.	WILSON		
4	PLC DEC ±				
ANGLES ±		SURF TEXTURE: ✓			
REMOVE BURRS, BREAK SHARP EDGES R.015 MAX		SCALE		DWG NO	
CAGE CODE 00779		CUSTOMER AND ASSEMBLY DRAWING		RESTRICTED TO	

THIS DRAWING IS A CONTROLLED DOCUMENT.

THIS DRAWING IS UNPUBLISHED. RELEASE FOR PUBLICATION BY AMP INCORPORATED. ALL RIGHTS RESERVED. © 2000 AMP

LOC A  
DIST 66  
BENCH MACHINE LEADMAKER  
AMP 1756 REV 3-92  
10-AUG-05 11:33:05 us012285

1852069