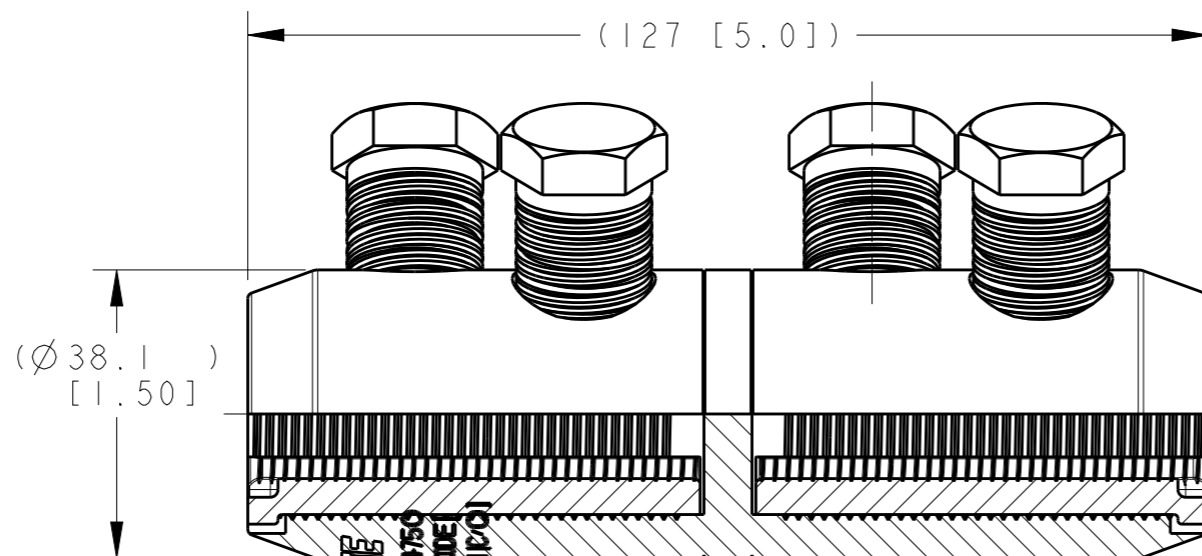
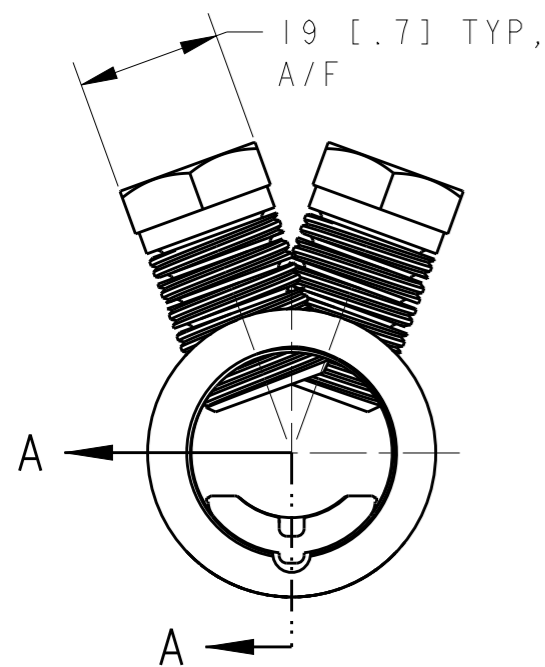
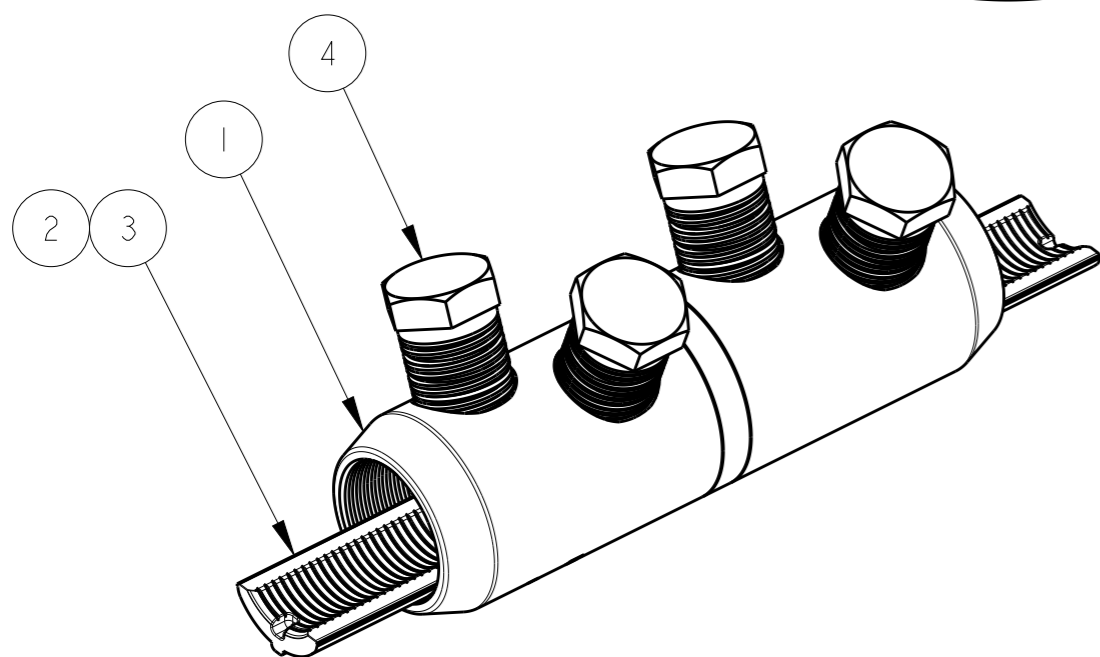
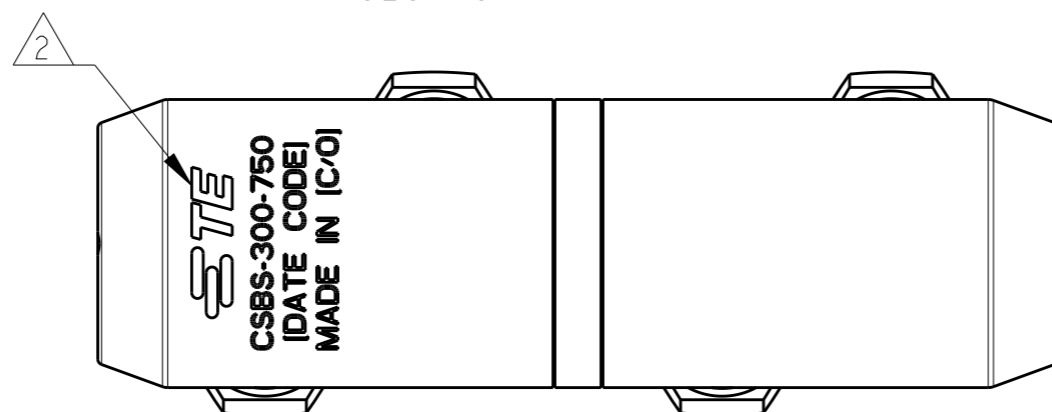


P	LTR	DESCRIPTION	DATE	DWN	APVD
	C	LC20-0014-20 / ECO-20-001675	28FEB2020	DM	BJ



SECTION A - A



CSBS-300-750	1974102-1
CATALOG NO.	PART NO.

- ACCOMMODATES:
300 KCMIL COMPACT (Ø14.5 [0.570 DIA]) TO
750 KCMIL STD (Ø25.3 [0.998 DIA]) COPPER
CONDUCTORS.

- MARKING:



CSBS-300-750
[DATE CODE]
MADE IN [COUNTRY OF ORIGIN]

- INSERT SHALL BE REMOVED FOR
CONDUCTOR SIZES 600 KCMIL
COMPRESSED STR (Ø22.0 [0.866 DIA])
AND LARGER.
- ALL DIMENSIONS ARE FOR
REFERENCE ONLY.
- INSTALL BOLT WITH 3/4" HEX SOCKET.

QTY	DESCRIPTION	ITEM NO
1	INSTALLATION INSTRUCTION SHEET, 408-10327	6
1	ABRASIVE TAPE	5
4	MULTI-SHEAR BOLT, BRASS, M18	4
A/R	CONTACT GREASE, NEUTRAL	3
2	INSERT, ETP COPPER	2
1	CONNECTOR SLEEVE BODY, ETP COPPER	1

THIS DRAWING IS A CONTROLLED DOCUMENT.

DIMENSIONS: mm [INCH]	TOLERANCES UNLESS OTHERWISE SPECIFIED:
	0 PLC ±
	1 PLC ±
	2 PLC ±
	3 PLC ±
	4 PLC ±
	ANGLES ±
MATERIAL SEE BOM	FINISH NONE

DWN D. MURUGIAH 17FEB2009	TE Connectivity NAME SHEARBOLT CONNECTOR, COPPER, SOLID OIL STOP, 300 KCMIL CPT TO 750 KCMIL STD
CHK A. BULZA 17FEB2009	
APVD B. JOHNSON 17FEB2009	
PRODUCT SPEC -	
APPLICATION SPEC -	SIZE A3
WEIGHT -	CAGE CODE 300779
CUSTOMER DRAWING	DRAWING NO C-1974102

RESTRICTED TO
SCALE NTS
SHEET 1
OF 1
REV C