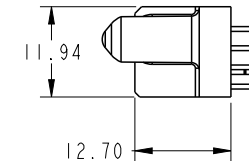
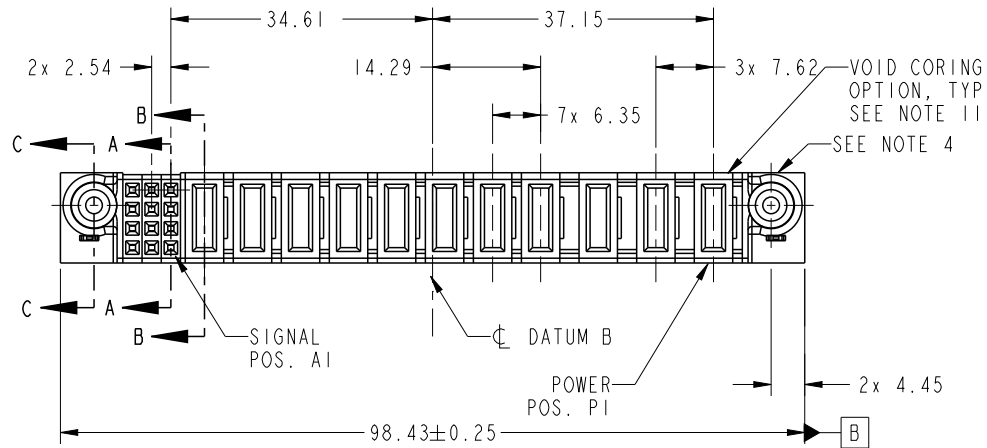


| | | | | | | | | | | | | | | | | | | | | | | | | | | | | | | |
|------------------------|------------------|--------|---|---|---|-----|-----|----|----|----|----|----|----|----|----|-------|-----|-----|----|----|----|----|----|----|----|----|----|--|--|----|
| PRODUCT NO. | ROWS | SIGNAL | | | | | | | | | | | | | | POWER | | | | | | | | | | | | | | E1 |
| | | E2 | 3 | 2 | 1 | P11 | P10 | P9 | P8 | P7 | P6 | P5 | P4 | P3 | P2 | P1 | P11 | P10 | P9 | P8 | P7 | P6 | P5 | P4 | P3 | P2 | P1 | | | |
| 51940-471-- NOTE: 3 | D C B A | | | | | | | | | | | | | | | | | | | | | | | | | | | | | |

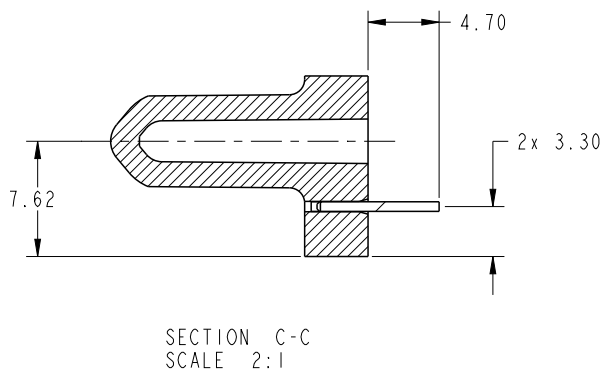
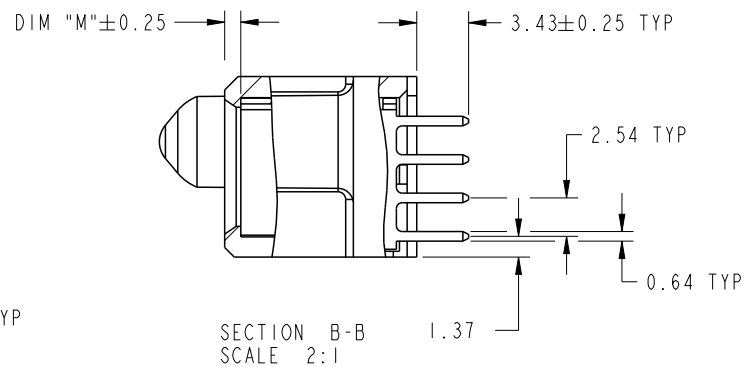
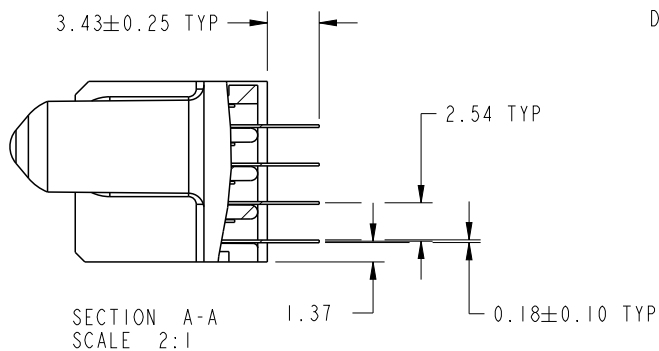


| CODE | DIM "M" MATING LENGTH | CONTACT TYPE |
|------|-----------------------|--------------|
| E | [N/A] | SIGNAL |
| PA | [1.07] | POWER |
| HA | [N/A] | HOLD-DOWN |

| | | | | | | | | | | | | | | | |
|---------------|---------------------------------------|------|------------|------------|------------|-------------|--------|-----------|-----------|----------|----------------|------------|----------------|------------------------|--------------|
| spec ref | * | dr | Luo Weller | 2013/01/02 | projection | MM | size | A4 | scale | 1:1 | | | | | |
| tolerance std | TOLERANCES UNLESS OTHERWISE SPECIFIED | eng | Luo Weller | 2013/02/05 | | | ecn no | - | rel level | Released | | | | | |
| SEE NOTE | | chr | - | - | appr | | | | | | Pei-Ming Zheng | 2013/02/05 | product family | PwrBlade | |
| surface | linear | 0.X | ±0.5 | | title | 3ACP+8P+12S | dwg no | 51940-471 | rev | A | | | | | |
| | | 0.XX | ±0.25 | | | | | | | | www.fci.com | cat. no. | * | Product - Customer Drw | sheet 1 of 4 |
| | angular | 0° | ±2° | | | | | | | | | | | | |

PRODUCT NUMBER

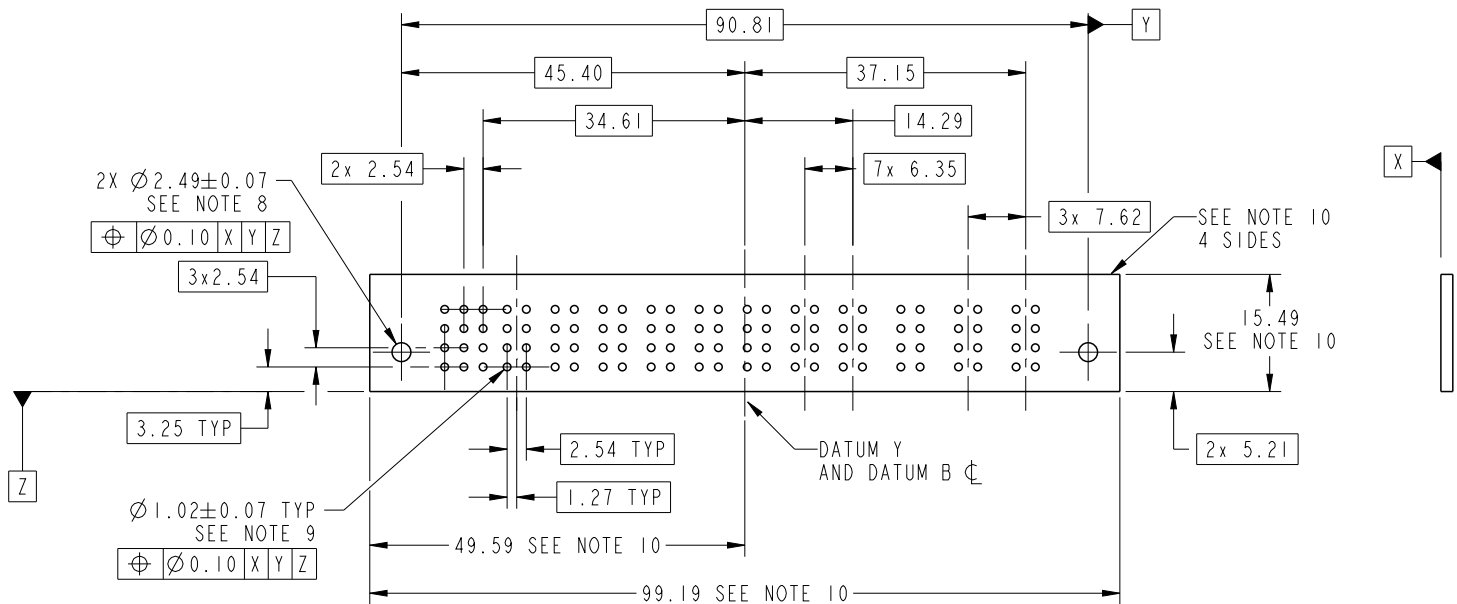
51940-471__
NOTE: 3



| | | | | | | | | |
|------|----------------|--|---------------------|---------------|------------------------|--------------|-------|-----|
| dr | Luo Weller | 2013/01/02 | projection | MM | size | A4 | scale | 1:1 |
| eng | Luo Weller | 2013/02/05 | | | ecn no | - | | |
| chr | - | - | | | rel level | Released | | |
| appr | Pei-Ming Zheng | 2013/02/05 | product family | PwrBlade | rev | A | | |
| | | title 3ACP+8P+12S VERTICAL SOLDER RECEPT | dwg no 51940-471 | cat. no. * | Product - Customer Drw | sheet 2 of 4 | | |

PRODUCT NUMBER

51940-471--
NOTE: 3



RECOMMENDED PCB LAYOUT

| | | | | | | | | |
|-------------|----------------|--|---------------------|------------------------|--------------|----------|-------|-----|
| dr | Luo Weller | 2013/01/02 | projection | MM | size | A4 | scale | 1:1 |
| eng | Luo Weller | 2013/02/05 | | | ecn no | - | | |
| chr | - | - | | | rel level | Released | | |
| appr | Pei-Ming Zheng | 2013/02/05 | product family | PwrBlade | | | | |
| | | title 3ACP+8P+12S VERTICAL SOLDER RECEPT | dwg no 51940-471 | rev A | | | | |
| www.fci.com | | cat. no. | * | Product - Customer Drw | sheet 3 of 4 | | | |

PRODUCT NUMBER

51940-471--
NOTE: 3

NOTES:

1. DIMENSIONS AND TOLERANCES ARE IN ACCORDANCE WITH ASME Y14.5M, 1994 UNLESS OTHERWISE SPECIFIED.

CONNECTOR NOTES:

- 2 HOUSING MATERIAL: UL 94 V-0 GLASS FILLED HIGH-TEMP THERMOPLASTIC
POWER CONTACT MATERIAL: COPPER ALLOY
SIGNAL PIN MATERIAL: COPPER ALLOY
- 3. SEE ITEM 5 & 6 IN PRINT 10064183 FOR PLATING SPEC OF 51940-471 AND 51940-471LF RESPECTIVELY.
- 4 MANUFACTURER'S NAME, DATE CODE AND OPTIONAL P/N TO APPEAR ON THIS SURFACE. THE MARK CAN BE OMITTED IF THERE IS NOT ENOUGH SPACE ON THIS SURFACE.
- 5. PRODUCT SPECIFICATION GS-12-149.
APPLICATION SPECIFICATION BUS-20-067.
- 6. PACKAGED IN TRAYS.
- PCB NOTES:
- 7. ALL HOLE DIAMETERS ARE FINISHED HOLE SIZE.
- 8 MOUNTING HOLES, WHERE APPLICABLE, ARE UNPLATED.
- 9 $\varnothing 1.151 \pm 0.025$ DRILLED HOLES PLATED WITH
0.008 MIN SnPb OR Sn OVER 0.03
TO 0.08 Cu PLATING TO ACHIEVE
 $\varnothing 1.02 \pm 0.07$ HOLE.
- 10 CONNECTOR KEEP-OUT ZONE.
- 11. THE VOID CORING IN BETWEEN POWER MODULES, SIGNAL MODULES AND END MODULES ARE OPTIONAL AND THE SHAPE MAY BE DIFFERENT FOR OPTIMIZE THE MOLDING PROCESS. THE VOID CORING WILL NOT EFFECT TO PRODUCT FUNCTION.



Copyright FCI.

| | | | | | | | | | | | |
|-------------|----------------|------------|----------------|------------------------|----------------|-------------|--------------|----------|-----------|-----|---|
| dr | Luo Weller | 2013/01/02 | projection | MM | size | A4 | scale | 1:1 | | | |
| eng | Luo Weller | 2013/02/05 | | | ecn no | - | | | | | |
| chr | - | - | | | product family | PwrBlade | rel level | Released | | | |
| appr | Pei-Ming Zheng | 2013/02/05 | | | title | 3ACP+8P+12S | | dwg no | 51940-471 | rev | A |
| www.fci.com | | cat. no. | * | Product - Customer Drw | | | sheet 4 of 4 | | | | |