

H4X:2C5FF:AC - Housing



1151958

<https://www.phoenixcontact.com/us/products/1151958>

Please be informed that the data shown in this PDF document is generated from our online catalog. Please find the complete data in the user documentation. Our general terms of use for downloads are valid.



HEAVYPORT B24 panel mounting base, with single locking latch, with plastic protective cover, with stainless steel front plate connections, 2x RJ45 CAT5e (female/female) 1x 120 V AC outlet

Your advantages

- Good shielding in the event of electromagnetic interference

Commercial data

Item number	1151958
Packing unit	1 pc
Sales key	BF69
Product key	BF7EGX
GTIN	4063151150273
Weight per piece (including packing)	22.22 g
Weight per piece (excluding packing)	22.22 g
Country of origin	US

H4X:2C5FF:AC - Housing

1151958

<https://www.phoenixcontact.com/us/products/1151958>

Technical data

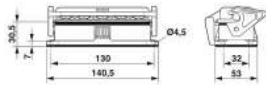
Product properties

Type	B24
Product type	Stackable housing set
Application	Standard
Housing type	Panel mounting base
Protective cover	yes

Electrical properties

Rated voltage (III/3)	max. 125 V AC ()
Rated current	max. 1.5 A DC (RJ45) 15 A ()

Dimensions

Dimensional drawing	
Width	53 mm
Height	30.5 mm
Length	140.5 mm

Installation dimensions

Width of the assembly cutout	35 mm
Length of the assembly cutout	113 mm

Material specifications

Seal material	NBR, conductive NBR, conductive
Housing surface material	uncoated
Material, protective cover	PA
Locking latch material	Polyamide
Impact strength	IK08
Housing material	Die-cast aluminum, salt water resistant

Connector

Contact insert design	with 2x RJ45 Cat 5E Ethernet Socket/socket, snap-in slot locking with 1x 120 V AC outlet Terminal 6.35 mm. AC outlet requires slip-on sleeves: Item No. 3240539 or 3240536
-----------------------	---

Environmental and real-life conditions

Ambient conditions

Degree of protection	IP66
----------------------	------

H4X:2C5FF:AC - Housing



1151958

<https://www.phoenixcontact.com/us/products/1151958>

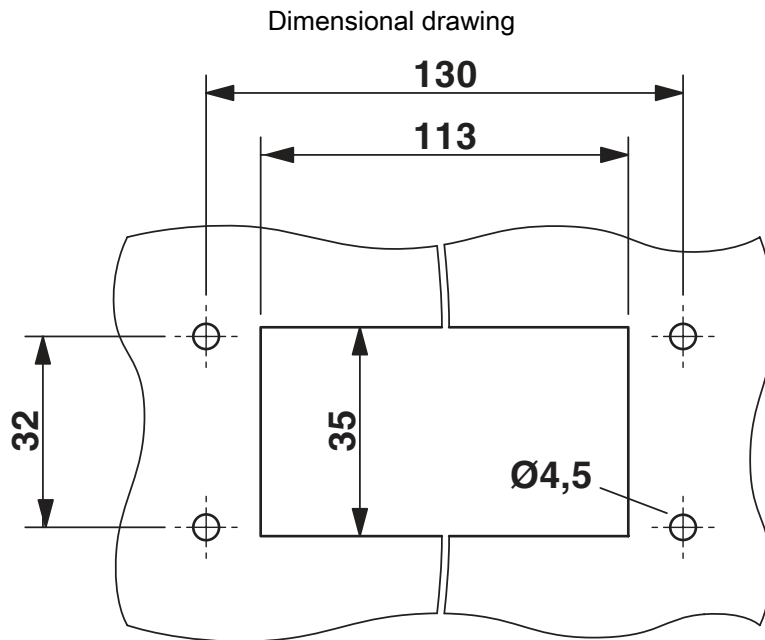
	IP67
Impact strength	IK08
Ambient temperature (operation)	-40 °C ... 125 °C (Housing)

H4X:2C5FF:AC - Housing

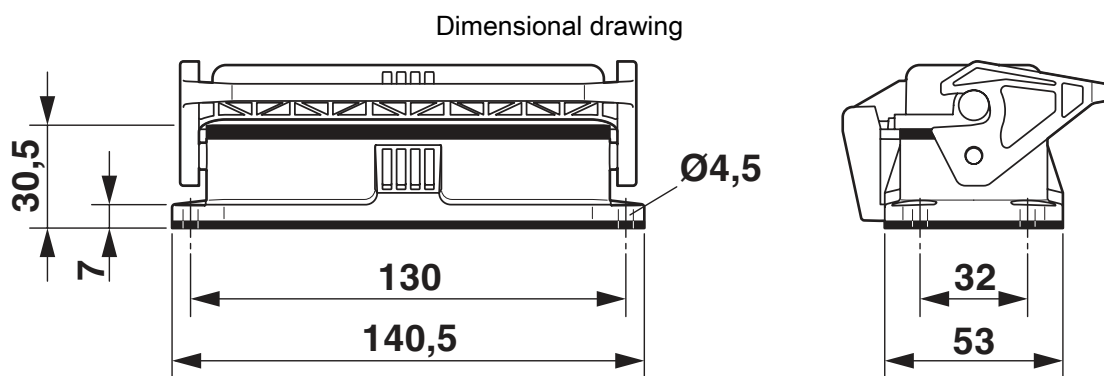
1151958

<https://www.phoenixcontact.com/us/products/1151958>

Drawings



Mounting cutout



Dimensional drawing

H4X:2C5FF:AC - Housing

1151958

<https://www.phoenixcontact.com/us/products/1151958>



Classifications

ECLASS

ECLASS-11.0	27440101
ECLASS-12.0	27440113
ECLASS-13.0	27440113

H4X:2C5FF:AC - Housing

1151958

<https://www.phoenixcontact.com/us/products/1151958>



Environmental product compliance

China RoHS	Environmentally Friendly Use Period = 50 years For information on hazardous substances, refer to the manufacturer's declaration available under "Downloads"
------------	--

H4X:2C5FF:AC - Housing

1151958

<https://www.phoenixcontact.com/us/products/1151958>



Accessories

C-SCFFI 2,5/4,8X0,5 - Connector

3240539

<https://www.phoenixcontact.com/us/products/3240539>



Slip-on sleeve, fully isolated, blue, 1.5 ... 2.5 mm², for plug 4.8 x 0.5 mm

C-SCFFI 1,5/4,8X0,5 - Connector

3240536

<https://www.phoenixcontact.com/us/products/3240536>



Slip-on sleeve, fully isolated, red, 0.5 ... 1.5 mm², for plug 4.8 x 0.5 mm

Phoenix Contact 2023 © - all rights reserved

<https://www.phoenixcontact.com>

Phoenix Contact USA

586 Fulling Mill Road

Middletown, PA 17057, United States

(+717) 944-1300

info@phoenixcon.com