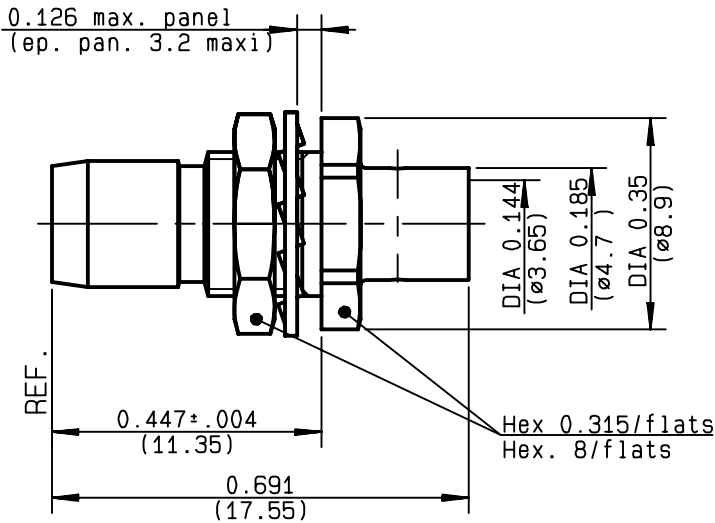
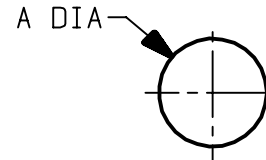


**STRAIGHT BULKHEAD PLUG SOLDER TYPE**  
**CABLE .141 - PACK.100**

**R128.055.827**  
**SERIES BMA COM**



PERCAGE PANNEAU  
MOUNTING HOLE



	MM		INCH	
	maxi	mini	maxi	mini
A	6.175	6.15	0.243	0.242

NOMINAL IMPEDANCE	<b>50</b>	$\Omega$
FREQUENCY RANGE	<b>0-22</b>	GHz
TEMPERATURE RATING	<b>-65/+125</b>	$^{\circ}C$
V.S.W.R	<b>1.05</b> +	<b>.01</b> x F(GHz)Maxi
RF INSERTION LOSS	<b>0.03</b>	$\sqrt{F}$ (GHz) dB Maxi
VOLTAGE RATING	<b>350</b>	Veff Maxi
DIELECTRIC WITHSTANDING VOLTAGE	<b>1000</b>	Veff Mini
INSULATION RESISTANCE	<b>5000</b>	M $\Omega$ Mini
HERMETIC SEAL	<b>NA</b>	Atm.cm <sup>3</sup> /s
LEAKAGE (pressurized only)	<b>NA</b>	
MECHANICAL DURABILITY	<b>500</b>	Cycles
WEIGHT	<b>2.65</b>	gr
SPECIFICATION		

CABLES : **KS 2**  
**RG 402**

OTHERS CHARACTERISTICS

CABLE RETENTION	<b>272</b>	N Mini
CENTER CONTACT RETENTION		
Axial force - mating end	<b>18</b>	N Mini
Axial force - opposite end	<b>18</b>	N Mini
Torque	<b>NA</b>	cm.N Mini
RECOMMENDED TORQUES		
Mating	<b>NA</b>	cm.N
Panel nut	<b>150</b>	cm.N
Clamp nut	<b>NA</b>	cm.N

CONNECTOR PARTS	MATERIALS	FINISH	(all values are given ) in micrometers
BODY	BRASS	BBR 2	
OUTER CONTACT			
CENTER CONTACT	BRONZE	GOLD 1.3 OVER COPPER 2	
INSULATOR	PTFE	-	
GASKET		-	
OTHERS PIECES	BRASS	BBR 2	

ISSUE	CREATION DATE	FILE PART-NUMBER
<b>9926A01</b>	<b>30/09/1996</b>	<b>EPC96-06</b>



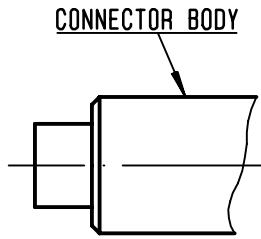
Connect to the future

The information given here is subject to change without notice.  
Design changes may be in order to improve the product .

BAFFERT



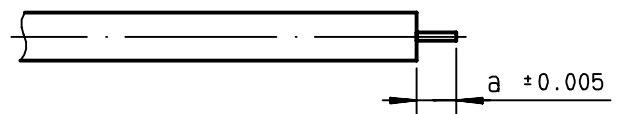
**R128.055.827**  
 ISSUE 9926A01 SERIES BMA COM



We recommend a thermal preconditioning cable .

①

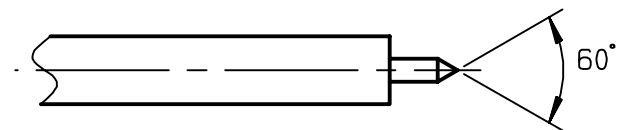
Strip the cable .  
 Stripping tool R282 053 000  
 Positioner R282 066 000  
 -  
 -



Stripping	a	b	c	d	e
inch	0.085 0	0	0	0	0
mm	2.16				

②

Trim cable center conductor .  
 Trimmer R282 066 000  
 -  
 -



③

Slide cable into connector body until it contacts the body shoulder.  
 Place sub assembly into the assembly jig R282 740 000 (or equivalent) with positioner R282 860 100 and tighten it .  
 Solder body onto cable .  
 Let the assembly cool down before removing it from the jig .  
 Clean the solder area.

