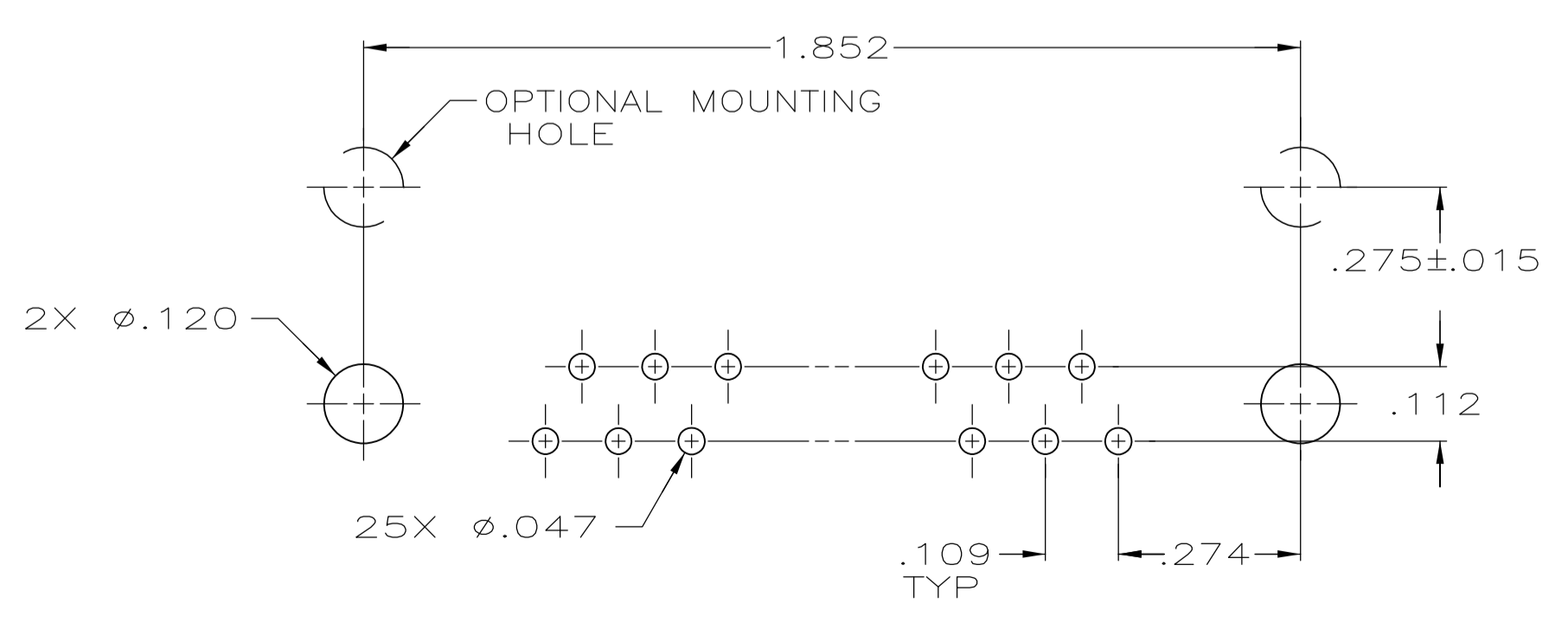
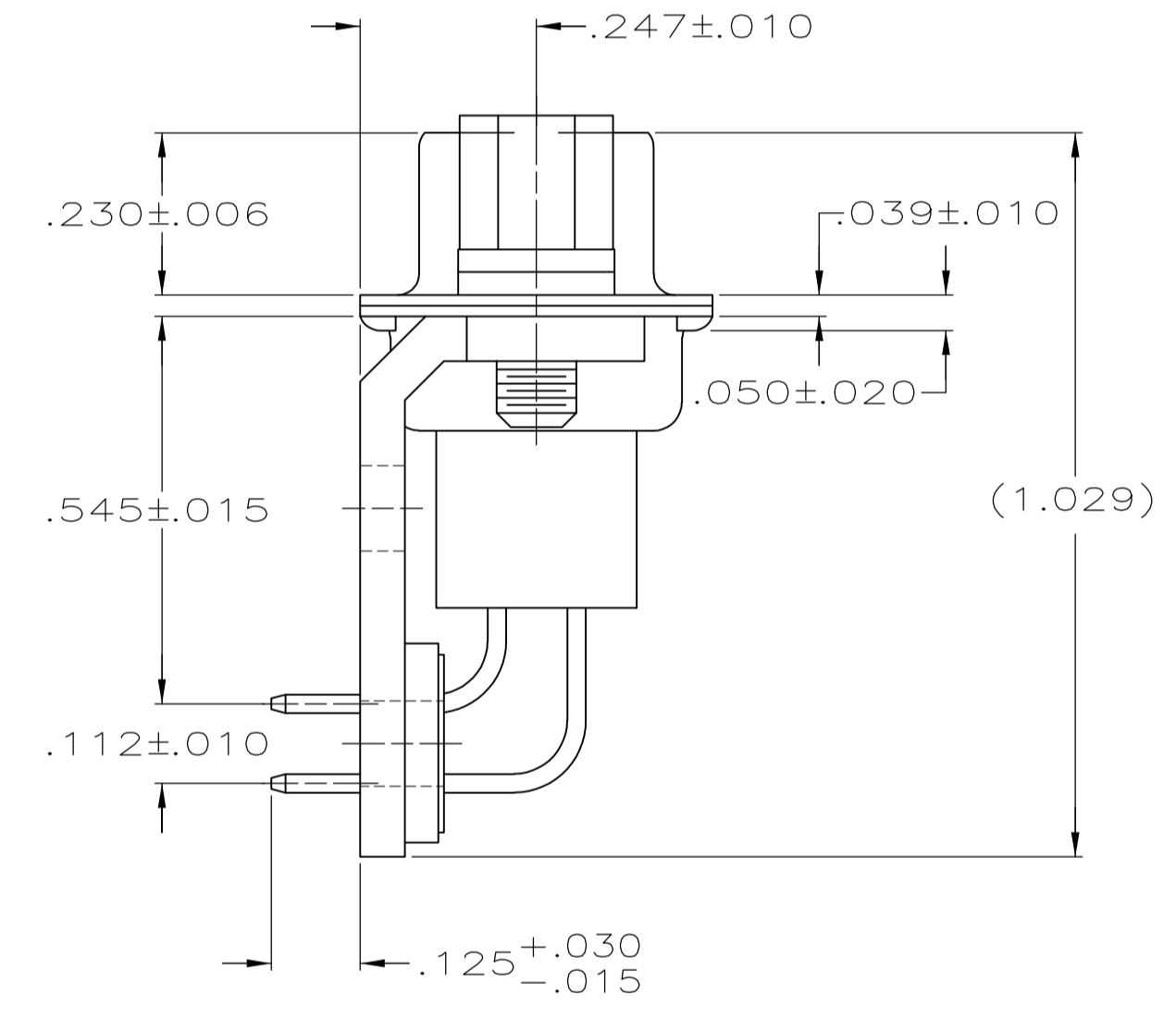
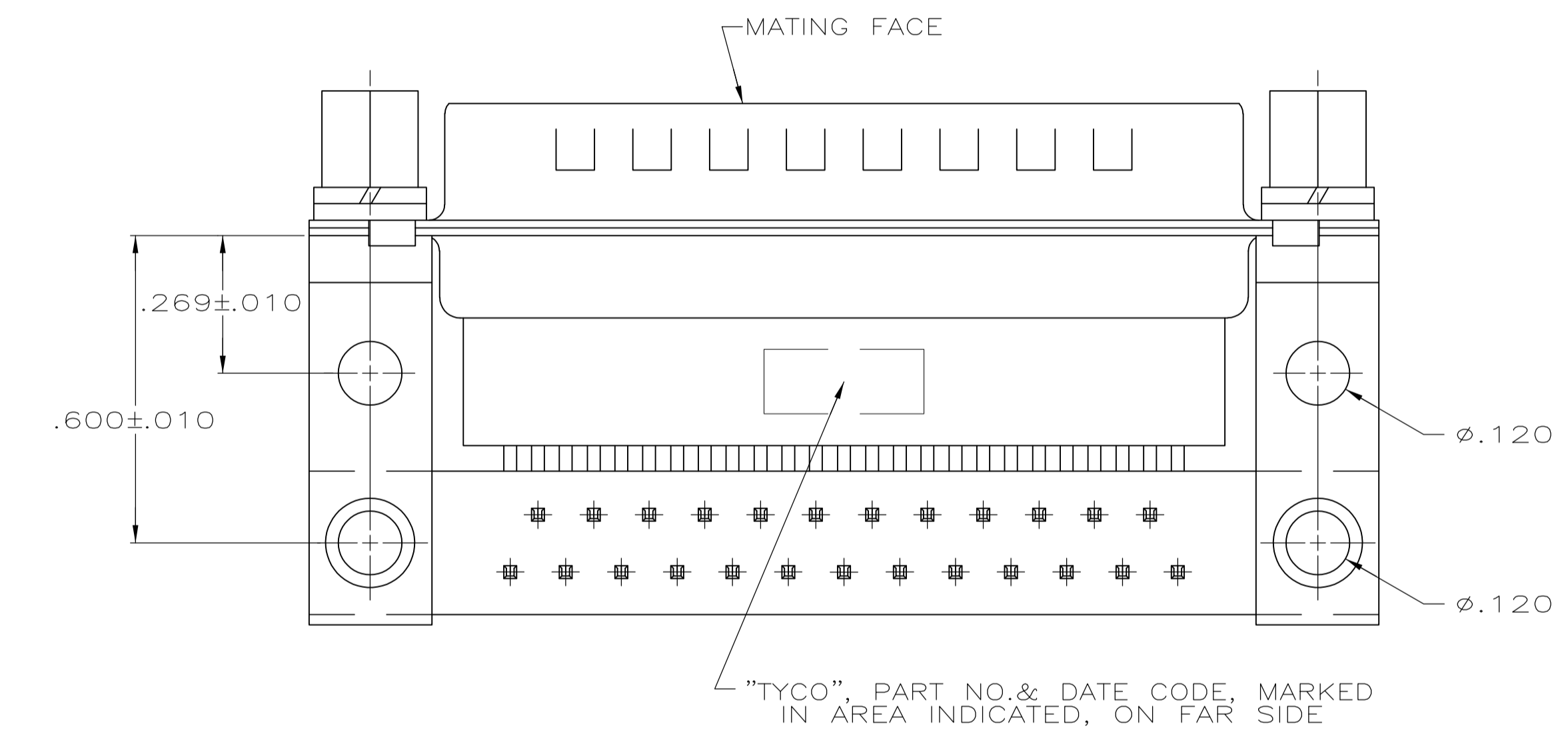
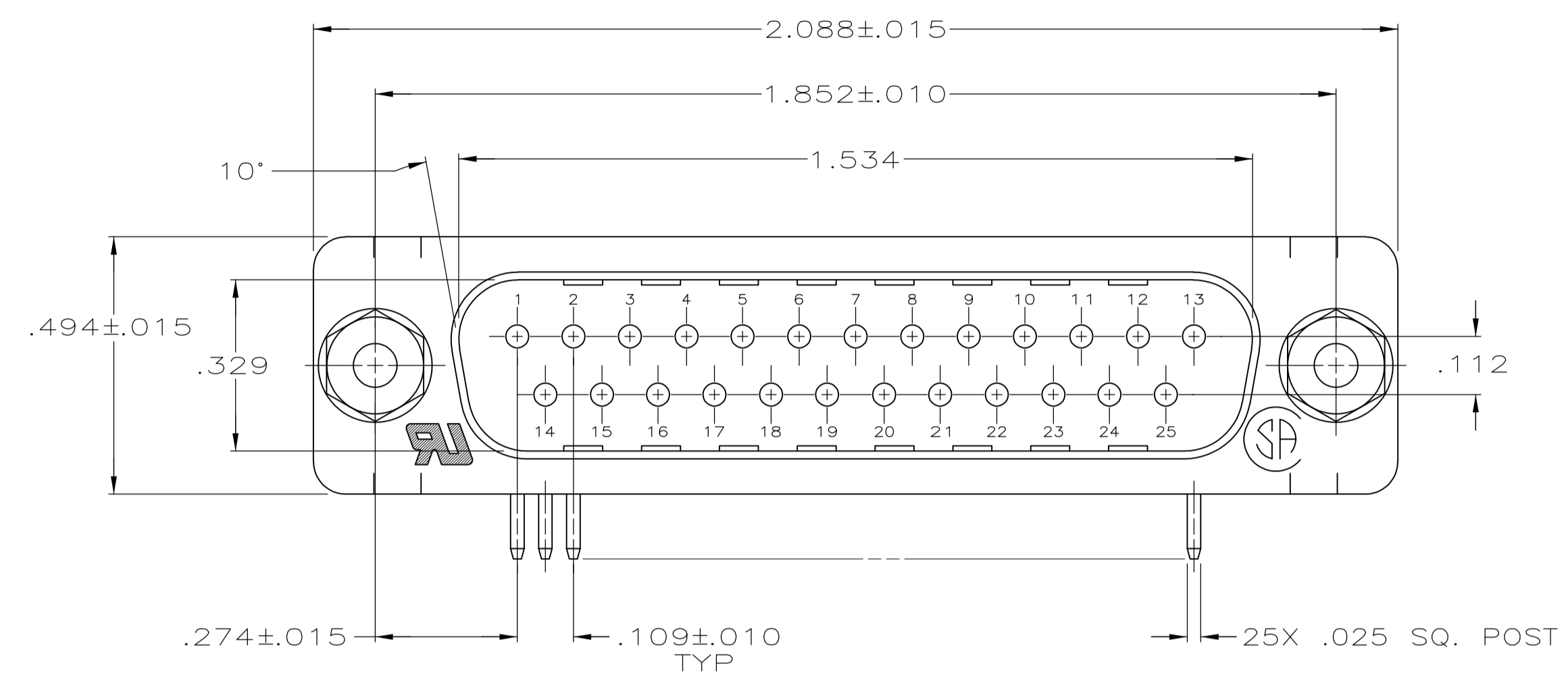


LOC		DIST		REVISIONS			
F	LTR	DESCRIPTION	DATE	DWN	APVD		
B		REVISED PER ECO-14-011808	12AUG2014	AP	SB		



P.C. BOARD MOUNTING DIMENSIONS

- 1 MOLDED PARTS: GLASS-FILLED PBT OR GLASS-FILLED NYLON, UL94V-0 RATED. COLOR: BLACK.
SHELLS & BRACKETS: CARBON STEEL.
CONTACTS: BRASS
SCREWLOCKS AND WASHERS: CARBON STEEL.
- 2 SHELLS: .000200 MIN TIN OVER .000100 MIN COPPER.
BRACKETS: .000200 MIN TIN OVER .000050 MIN COPPER.
SCREWLOCKS AND WASHERS: ZINC PLATED WITH CLEAR CHROMATE COATING.
CONTACTS: GOLD PLATED FOR A LENGTH OF .150 MIN FROM MATING END, .000030 MIN GOLD IN MATED AREA, .000100 MIN TIN ON OPPOSITE END, BOTH OVER .000050 MIN NICKEL.
-OR-
GOLD FLASH OVER PALLADIUM NICKEL PLATED FOR A LENGTH OF .150 MIN FROM MATING END, .000030 MIN PALLADIUM NICKEL IN MATED AREA, .000100 MIN TIN ON OPPOSITE END, BOTH OVER .000050 MIN NICKEL.

5747022-2
PART NUMBER

THIS DRAWING IS A CONTROLLED DOCUMENT.		DIN	D. HENNY	9-4-05	TE Connectivity
		CHK	S. BOLASH	9-4-05	
DIMENSIONS: INCHES		TOLERANCES UNLESS OTHERWISE SPECIFIED:		NAME: PLUG ASSEMBLY, SIZE 3, 25 POSITION, RIGHT ANGLE, .545 SERIES, .025 SQ. POSTS, WITH SCREWLOCKS, AMPLIMITE HDP	
		0. PLC	±	-.0005	PRODUCT SPEC
		1. PLC	±	-.0010	108-40025
		2. PLC	±	-.0015	APPLICATION SPEC
		3. PLC	±	-.0020	114-40013
		4. PLC	±	-.0025	SIZE
		ANGLES	±	°.05	WEIGHT
MATERIAL		FINISH		SCALE	RESTRICTED TO
				4:1	A1 00779C=5747022
CUSTOMER DRAWING				SHEET	REV
				1 of 1	B