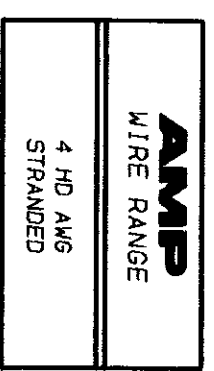


THIS DRAWING IS UNPUBLISHED. RELEASED FOR PUBLICATION  
 © COPYRIGHT 19 BY AMP INCORPORATED. ALL INTERNATIONAL RIGHTS RESERVED.

LOC 6 DIST 14

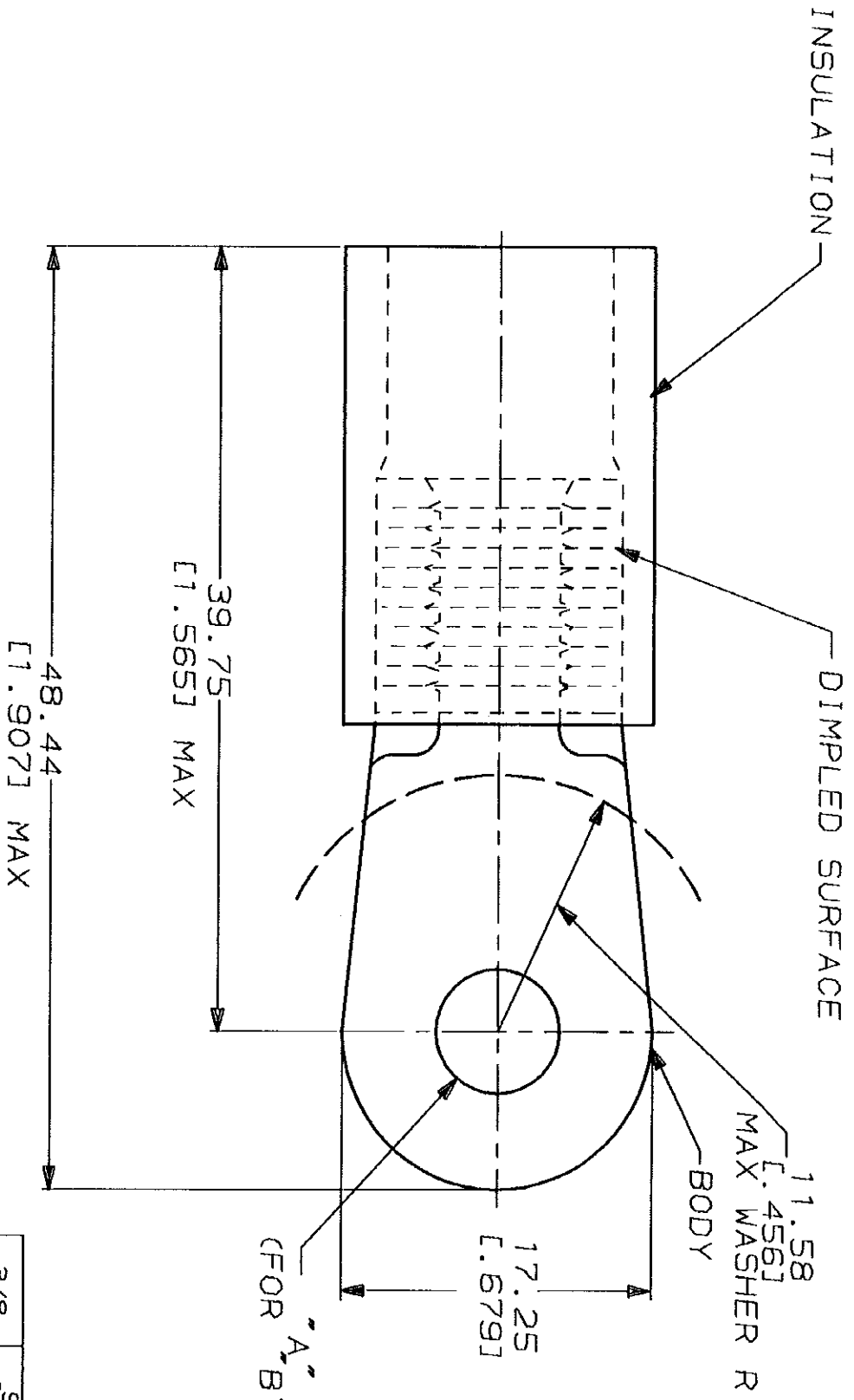
REVISIONS  
 DESCRIPTION EC 0720-0279-93

DATE 6-23-93 APPD 556 BB



**METRIOR**  
 DIMENSIONS LISTED IN mm [ INCHES ]

1. TONGUE MATERIAL THK 2.31±0.08 [ 0.91±.004 ]  
 FOR 11.25 [ 1.443 ] MAX WIRE INS DIA



**AMP INCORPORATED  
 CUSTOMER SERVICE SYSTEMS**

FOR ADDITIONAL PRODUCT INFORMATION OR COPIES OF DRAWINGS AND TECHNICAL DOCUMENTS	PRODUCT INFORMATION CENTER 1-800-522-6752	MAX RECOMMENDED OPERATING TEMPERATURE: 105°C
FOR APPLICATION	TOOLING ASSISTANCE CENTER 1-800-722-1111	VOLTAGE RATING: -
TOOLING INFORMATION	1-800-526-5142	CIRCULAR MIL AREA: 16.8-26.7mm² [ 39, 100-52, 600 ] STRANDED
FOR ORDER ENTRY	1-800-526-5142	THIS DRAWING IS A CONTROLLED DOCUMENT FOR AMP INCORPORATED. IT IS SUBJECT TO CHANGE AND THE CONTROLLING ENGINEERING ORGANIZATION SHOULD BE CONTACTED FOR THE LATEST REVISION.

DO NOT SCALE PRINT. UNLESS SPECIFIED	"B"	"A"	QTY	PACKAGE TYPE	PART NO
DIMENSIONS IN mm [ INCHES ] TOLERANCES ON: 1 PLG DEC ± 0.20 [ 0.008 ] 2 PLG DEC ± - 3 PLG DEC ± - ANGLES ± -	3/8	9.91±0.13 [ 390±.005 ]	-	LOOSE PC	1-331421-1
	5/16	9.33±0.13 [ 328±.005 ]	-		1-331421-0

MATERIAL COPPER PER ASTM B-152 NYLON (MIL-M-20693) TYPE 1 COLOR: YELLOW	DR 6-21-93 S.S. SKULDEN	AMP	AMP Incorporated Harrisburg, PA 17105-3608
FINISH TIN PLATE PER MIL-T-10727	CHK 6-21-93 R. HERSEY	TERMINAL, RING TONGUE, TERMINYL WIRE SIZE: 4 HD AWG	
	APPD 6-21-93 B. BARE	SIZE B	
	APPD 6-21-93 H. ELLIS	CAGE CODE 00779	
	PRODUCT SPEC	DRAWING NO G-331421	
	APPLICATION SPEC	SCALE NTS	
	WEIGHT	SHEET 1 OF 1	