

# CA-16S1N8A6Y00 - Device connector front mounting



1619859

<https://www.phoenixcontact.com/us/products/1619859>

Please be informed that the data shown in this PDF document is generated from our online catalog. Please find the complete data in the user documentation. Our general terms of use for downloads are valid.



M23, Device connector front mounting, series: CA, straight, shielded: yes, for standard and SPEEDCON interlock, No. of pos.: 16, Direction of rotation: Standard, contact connection type: Socket, Crimp connection, Axial seal, Central fastening M20 x 1.5, coding: N

## Your advantages

- Safe use in the field, thanks to high degree of protection
- Connector for flexible on-site assembly
- Consistent EMC protection for reliable transmission of signals
- Crimping connection: vibration- and temperature-resistant assembly
- Application-specific wall mounting optionally with thread or anti-rotation protection and lock nut

## Commercial data

Item number	1619859
Packing unit	1 pc
Minimum order quantity	1 pc
Note	Made to order (non-returnable)
Sales key	AB33
Product key	ABRAEL
GTIN	4046356821070
Weight per piece (including packing)	26.5 g
Weight per piece (excluding packing)	22.9 g
Customs tariff number	85366990
Country of origin	DE

# CA-16S1N8A6Y00 - Device connector front mounting



1619859

<https://www.phoenixcontact.com/us/products/1619859>

## Technical data

### Notes

General	Order 6 x Ø 1 mm crimp contacts separately
---------	--

### Product properties

Product type	Circular connectors (device side)
--------------	-----------------------------------

### Connector

#### Connection 1

Head design	Socket
-------------	--------

#### Insulating body

Note	Order information: Order 6 x Ø 1 mm crimp contacts separately
Coding	N
Insulation body material	PA 6.6
Connection method	Crimp connection
Contact switching type	Socket
Application	Signal
Number of positions	16
Direction of rotation	Standard
Connection profile	16
Contact diameter <b>Signal contacts</b>	1 mm
Litz wire cross-section <b>Signal contacts</b> min.	0.08 mm <sup>2</sup>
Litz wire cross-section <b>Signal contacts</b> max.	1 mm <sup>2</sup>
Nominal current per signal contact	8 A
Rated voltage <b>Signal contact</b>	48 V AC
Rated surge voltage	1.5 kV
Overvoltage category	III
Degree of pollution	3

#### Housing

Order information:	If necessary, order locking nut separately
Housing material	GD-Zn
Type of locking	for standard and SPEEDCON interlock
Pg screw connection	none
Degree of protection (plugged in)	IP67
Thread type	M23

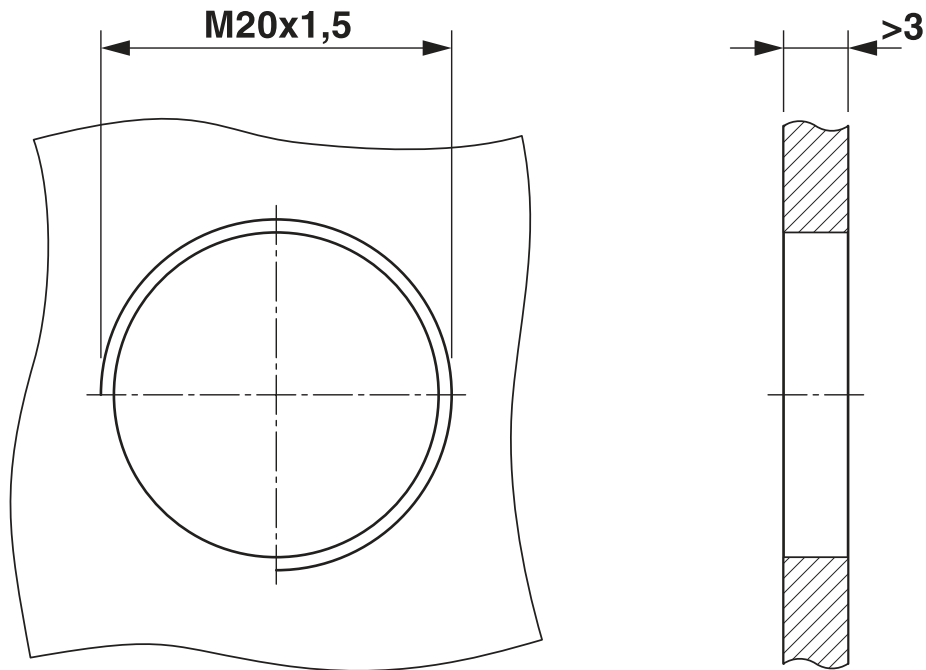
## Environmental and real-life conditions

#### Ambient conditions

Ambient temperature (operation)	-40 °C ... 125 °C
---------------------------------	-------------------

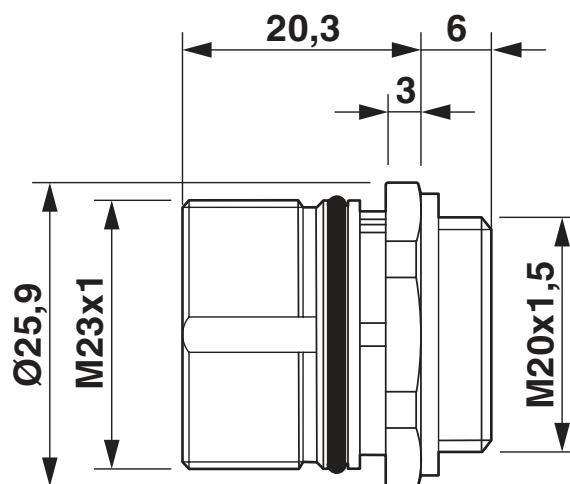
## Drawings

Dimensional drawing



Installation dimensions

Dimensional drawing



Dimensional drawing

# CA-16S1N8A6Y00 - Device connector front mounting





1619859

<https://www.phoenixcontact.com/us/products/1619859>

## Approvals

To download certificates, visit the product detail page: <https://www.phoenixcontact.com/us/products/1619859>

 <b>cUL Recognized</b> Approval ID: E335019-20141210				
	Nominal voltage $U_N$	Nominal current $I_N$	Cross section AWG	Cross section $\text{mm}^2$
	48 V	3 A	- 20	-

 <b>UL Recognized</b> Approval ID: E335019-20141210				
	Nominal voltage $U_N$	Nominal current $I_N$	Cross section AWG	Cross section $\text{mm}^2$
	48 V	5 A	- 20	-

<b>cULus Recognized</b>				
-------------------------	--	--	--	--

1619859

<https://www.phoenixcontact.com/us/products/1619859>

## Classifications

### ECLASS

ECLASS-11.0	27440102
ECLASS-12.0	27440116
ECLASS-13.0	27440116

### ETIM

ETIM 8.0	EC002635
----------	----------

### UNSPSC

UNSPSC 21.0	39121400
-------------	----------

# CA-16S1N8A6Y00 - Device connector front mounting



1619859

<https://www.phoenixcontact.com/us/products/1619859>

## Environmental product compliance

China RoHS	Environmentally friendly use period: unlimited = EFUP-e
	No hazardous substances above threshold values

# CA-16S1N8A6Y00 - Device connector front mounting



1619859

<https://www.phoenixcontact.com/us/products/1619859>

## Accessories

### RC-11S2000 - Crimp contact

1596772

<https://www.phoenixcontact.com/us/products/1596772>



Crimp contact, Socket, turned, Single contact, contact diameter: 1 mm, crimp range: 0.08 mm<sup>2</sup> ... 0.22 mm<sup>2</sup>, Alternative product in accordance with RoHS II without Exemption 6c (Pb <0.1%) item no.: 1241093

---

### RC-12S2000 - Crimp contact

1599600

<https://www.phoenixcontact.com/us/products/1599600>



Crimp contact, Socket, turned, Single contact, contact diameter: 1 mm, crimp range: 0.14 mm<sup>2</sup> ... 0.56 mm<sup>2</sup>, Alternative product in accordance with RoHS II without Exemption 6c (Pb <0.1%) item no.: 1241093

## CA-16S1N8A6Y00 - Device connector front mounting



1619859

<https://www.phoenixcontact.com/us/products/1619859>

### RC-1KS2000 - Crimp contact

1602998

<https://www.phoenixcontact.com/us/products/1602998>



Crimp contact, Socket, turned, Single contact, contact diameter: 1 mm, crimp range: 0.5 mm<sup>2</sup> ... 1 mm<sup>2</sup>, Alternative product in accordance with RoHS II without Exemption 6c (Pb <0.1%) item no.: 1241572

---

### SF-Z0019 - Protective cap

1607449

<https://www.phoenixcontact.com/us/products/1607449>



Plastic protection cap, with eye, IP40 for connectors with M23 external thread, RF, SF series



# CA-16S1N8A6Y00 - Device connector front mounting



1619859

<https://www.phoenixcontact.com/us/products/1619859>

## RC-Z2059 - Protective cap

1604225

<https://www.phoenixcontact.com/us/products/1604225>

Plastic protection cap for connectors with M23 external thread



---

## RC-Z2469 - Protective cap

1611797

<https://www.phoenixcontact.com/us/products/1611797>

Plastic protection cap, antistatic, for RF, SF, CA, RC series connectors, with M23 external thread



# CA-16S1N8A6Y00 - Device connector front mounting



1619859

<https://www.phoenixcontact.com/us/products/1619859>

## RC-Z2104 - Metal protective cap

1604260

<https://www.phoenixcontact.com/us/products/1604260>



Metal protective cap, M23, degree of protection: IP67, series: RC, Alternative product in accordance with RoHS II without Exemption 6c (Pb <0.1%) item no.: 1241739

---

## RC-Z2068 - Metal protective cap

1604236

<https://www.phoenixcontact.com/us/products/1604236>



Metal protective cap, M23, degree of protection: IP67, series: RC, Alternative product in accordance with RoHS II without Exemption 6c (Pb <0.1%) item no.: 1241735

# CA-16S1N8A6Y00 - Device connector front mounting



1619859

<https://www.phoenixcontact.com/us/products/1619859>

## CA-Z0110 - Color-coding

1620700

<https://www.phoenixcontact.com/us/products/1620700>

Color-coding, color: green



---

## CA-Z0111 - Color-coding

1620701

<https://www.phoenixcontact.com/us/products/1620701>

Color-coding, color: orange



# CA-16S1N8A6Y00 - Device connector front mounting



1619859

<https://www.phoenixcontact.com/us/products/1619859>

## CA-Z0112 - Color-coding

1620702

<https://www.phoenixcontact.com/us/products/1620702>

Color-coding, color: black



---

## CA-Z0001 - Contact removal tool

1620699

<https://www.phoenixcontact.com/us/products/1620699>

Unlocking tool for contact carriers for snapping in the M23 signal device connectors



# CA-16S1N8A6Y00 - Device connector front mounting



1619859

<https://www.phoenixcontact.com/us/products/1619859>

## RC-22S2000 - Crimp contact

1603327

<https://www.phoenixcontact.com/us/products/1603327>



Crimp contact, Socket, rolled, Single contact, contact diameter: 1 mm, crimp range: 0.22 mm<sup>2</sup> ... 0.56 mm<sup>2</sup>, Single contact, Item is lead-free in accordance with RoHS II without Exemption 6c (Pb <0.1%)

---

## RC-22S2400 - Crimp contact

1603332

<https://www.phoenixcontact.com/us/products/1603332>



Crimp contact, Socket, rolled, Taped articles, number of pieces per reel: 10000, contact diameter: 1 mm, crimp range: 0.22 mm<sup>2</sup> ... 0.56 mm<sup>2</sup>, Item is lead-free in accordance with RoHS II without Exemption 6c (Pb <0.1%)

# CA-16S1N8A6Y00 - Device connector front mounting



1619859

<https://www.phoenixcontact.com/us/products/1619859>

## RC-22S2300 - Crimp contact

1603330

<https://www.phoenixcontact.com/us/products/1603330>



Crimp contact, Socket, rolled, Taped articles, number of pieces per reel: 500, contact diameter: 1 mm, crimp range: 0.22 mm<sup>2</sup> ... 0.56 mm<sup>2</sup>, Item is lead-free in accordance with RoHS II without Exemption 6c (Pb <0.1%)

---

## RC-13041 - M20 x 1.5 locking nut

1600417

<https://www.phoenixcontact.com/us/products/1600417>



M20 x 1.5 locking nut, Screw mounting, M20 x 1,5, Alternative product in accordance with RoHS II without Exemption 6c (Pb <0.1%) item no.: 1241209

---

Phoenix Contact 2023 © - all rights reserved  
<https://www.phoenixcontact.com>

Phoenix Contact USA  
586 Fulling Mill Road  
Middletown, PA 17057, United States  
(+717) 944-1300  
[info@phoenixcon.com](mailto:info@phoenixcon.com)