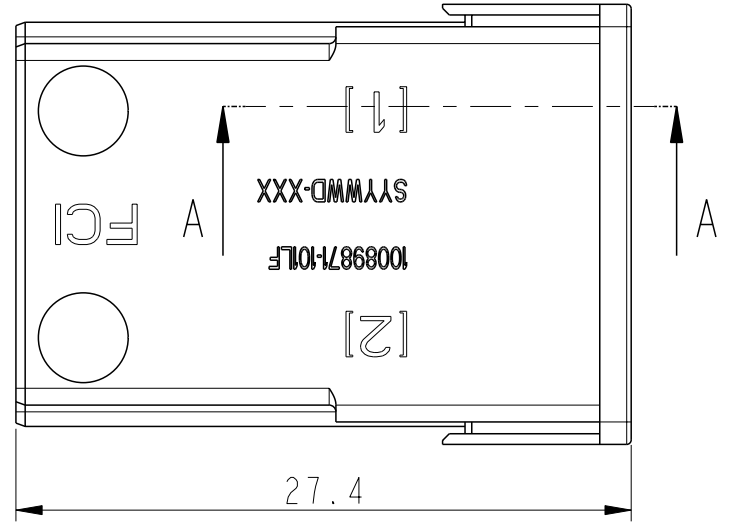
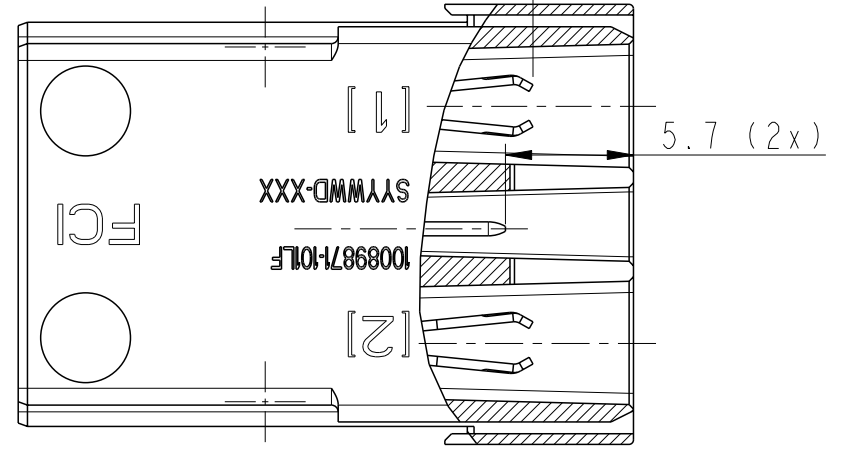


PRODUCT NUMBER
10089871

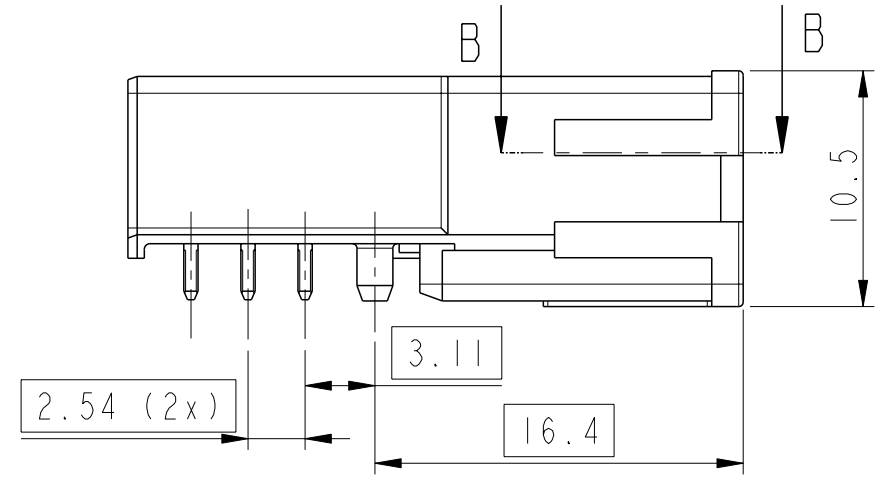
A



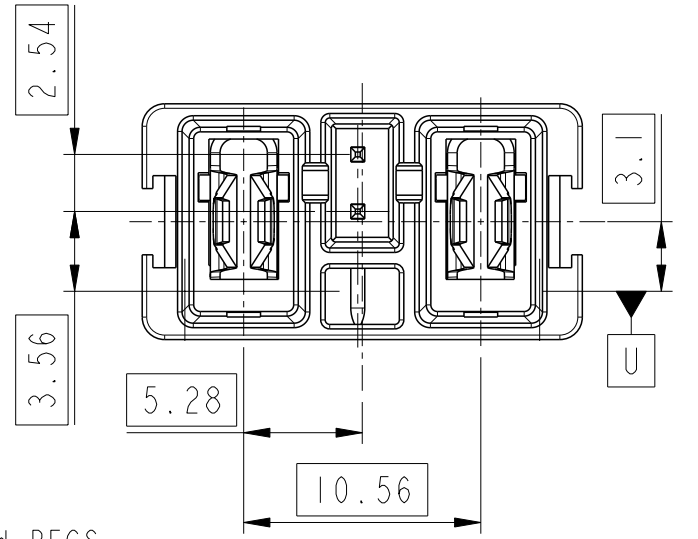
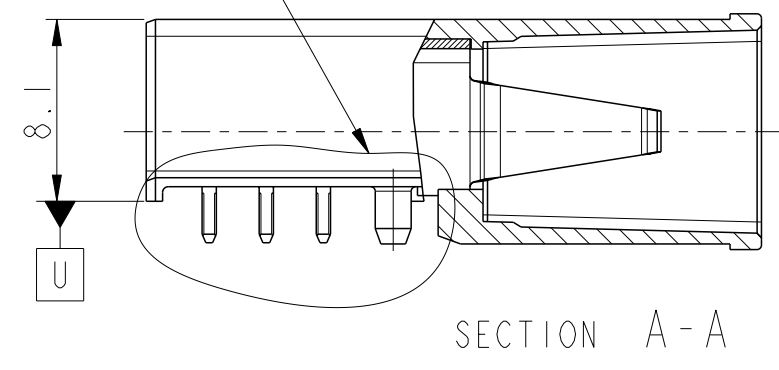
SECTION B-B 4.47 (2x)



B

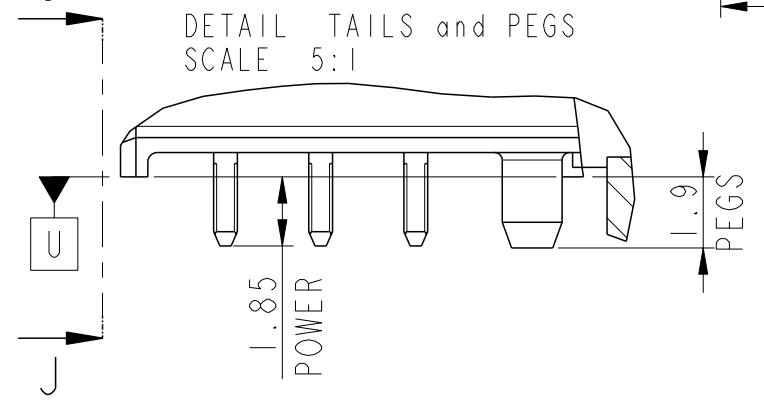
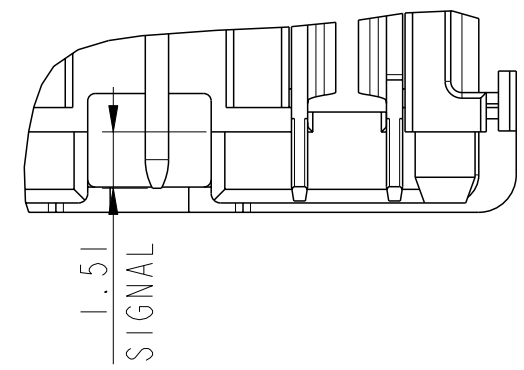


SEE DETAIL
TAILS and PEGS

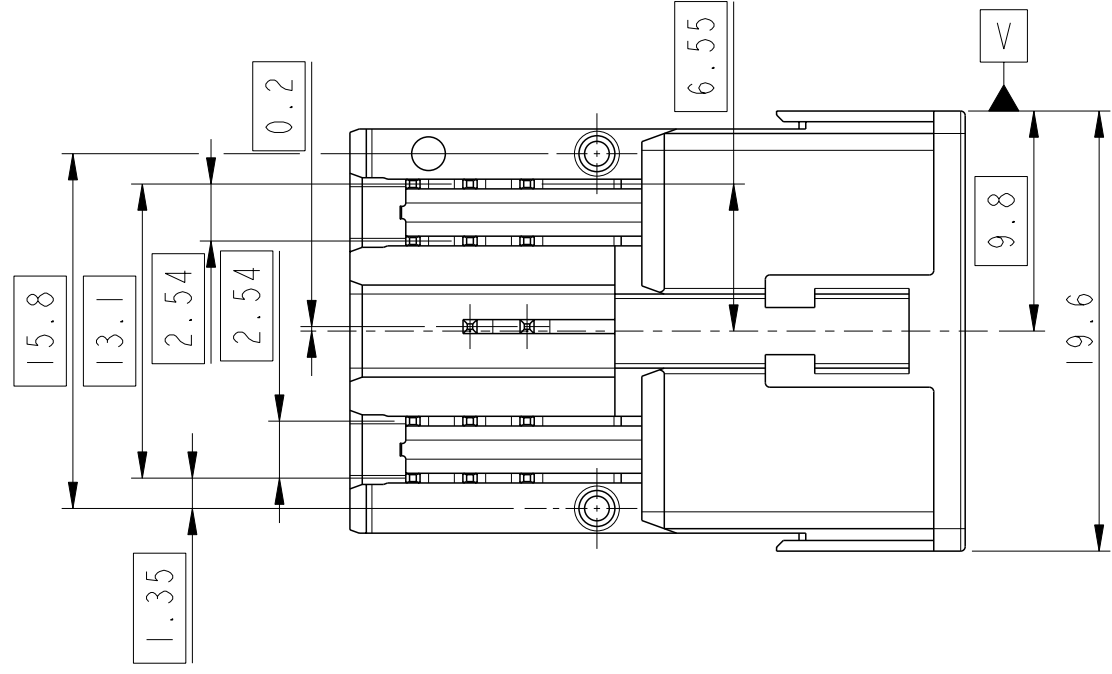


C

VIEW : J-J



D

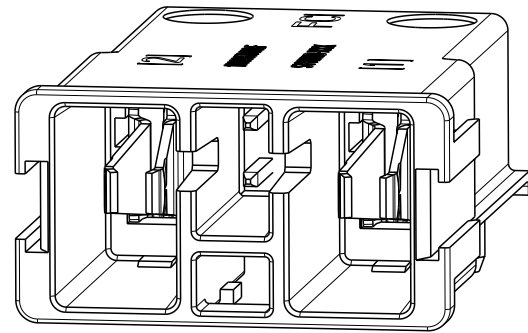
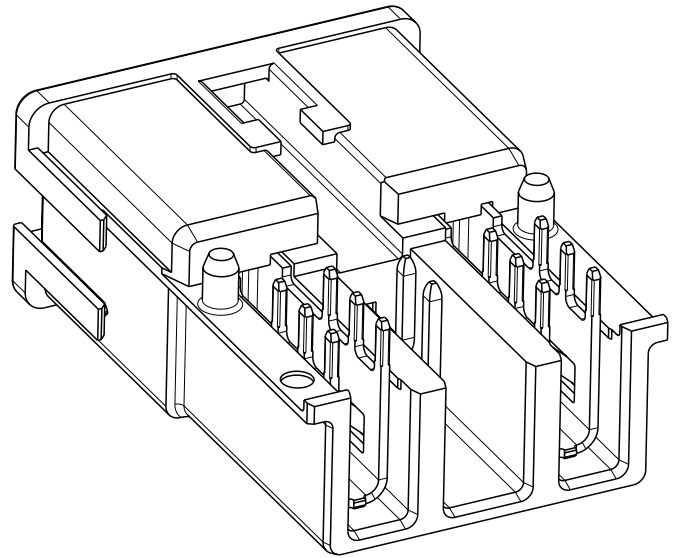


www.fci.com			surface - ISO 1302	tolerance std ISO 406 ISO 1101	projection mm
			TOLERANCES UNLESS OTHERWISE SPECIFIED		
Dr	P.Poorter	2009-03-09	ANGULAR	0.X ±	size A3
Eng	J.de Bruijn	2008-08-05	LINEAR	0.XX ±	Scale 1:1
Chr	P.Poorter	2009-03-12	0° ±°	0.XXX ±	ECN H09-0094
Appr	J.de Bruijn	2009-03-12	Product family	-	Spec ref -
FCI			PwrProfile+ Board Connector Assembly		dwg no 10089871
			UNSHIELDED PIP VERSION		Rev. B
catalog no			-		CUSTOMER COPY sheet 1 of 4

rev	ecn no	dr	date
A	H09-0076	PEP	090616
B	H09-0094	JDB	090828
-	-	-	-
-	-	-	-
-	-	-	-

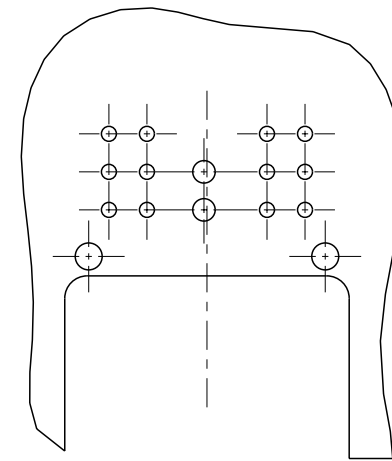
P/N 10089871-101LF,
PIP, Enable Function (Signal Contacts Included).

A



B

RECOMMENDED PCB LAYOUT:
PIP, Enable Function (Signal Circuit Included).

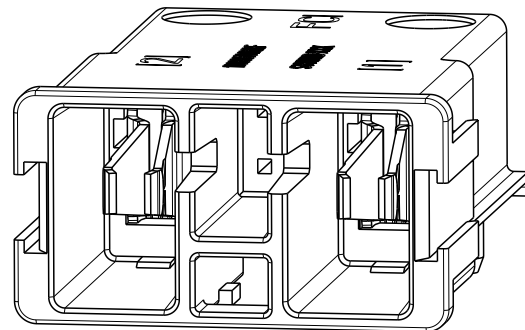
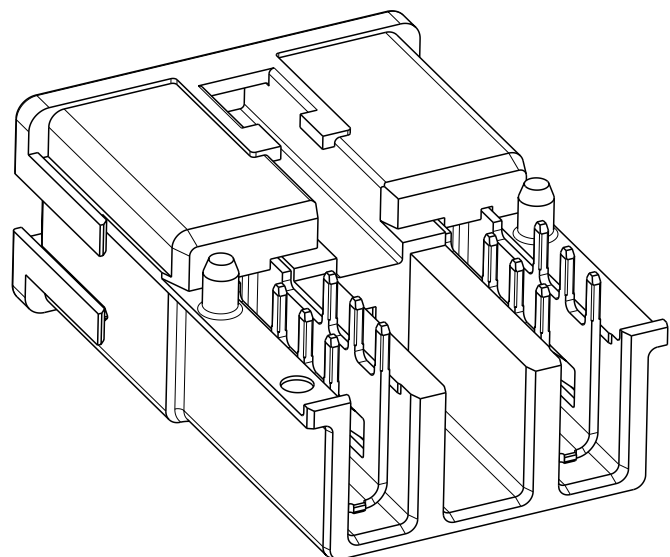


A

B

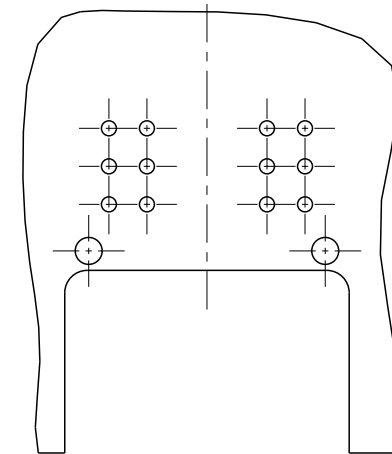
P/N 10089871-102LF,
PIP, No Enable Function (Signal Contacts Removed).

C



D

RECOMMENDED PCB LAYOUT:
PIP, No Enable Function (Signal Circuit Removed)



C

D

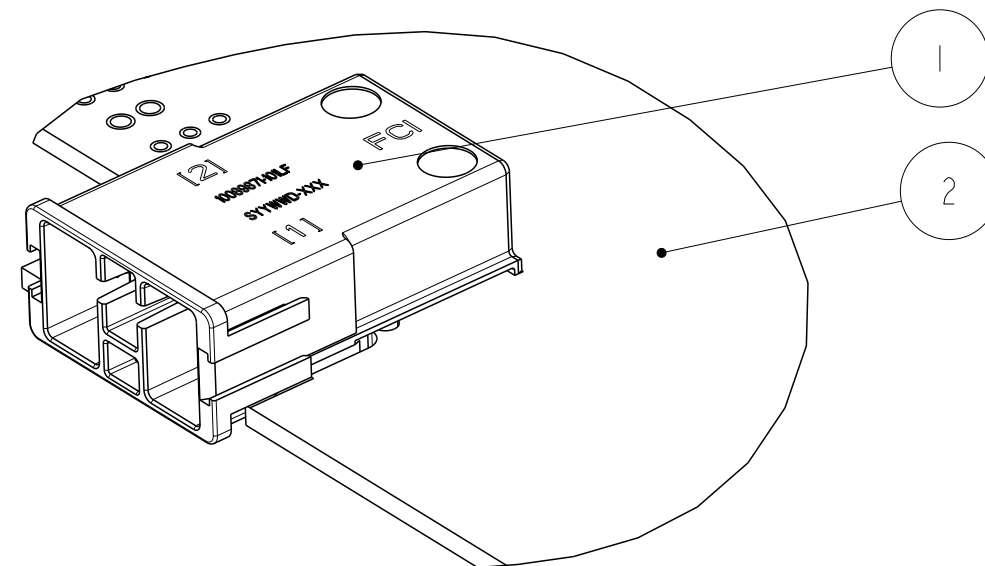
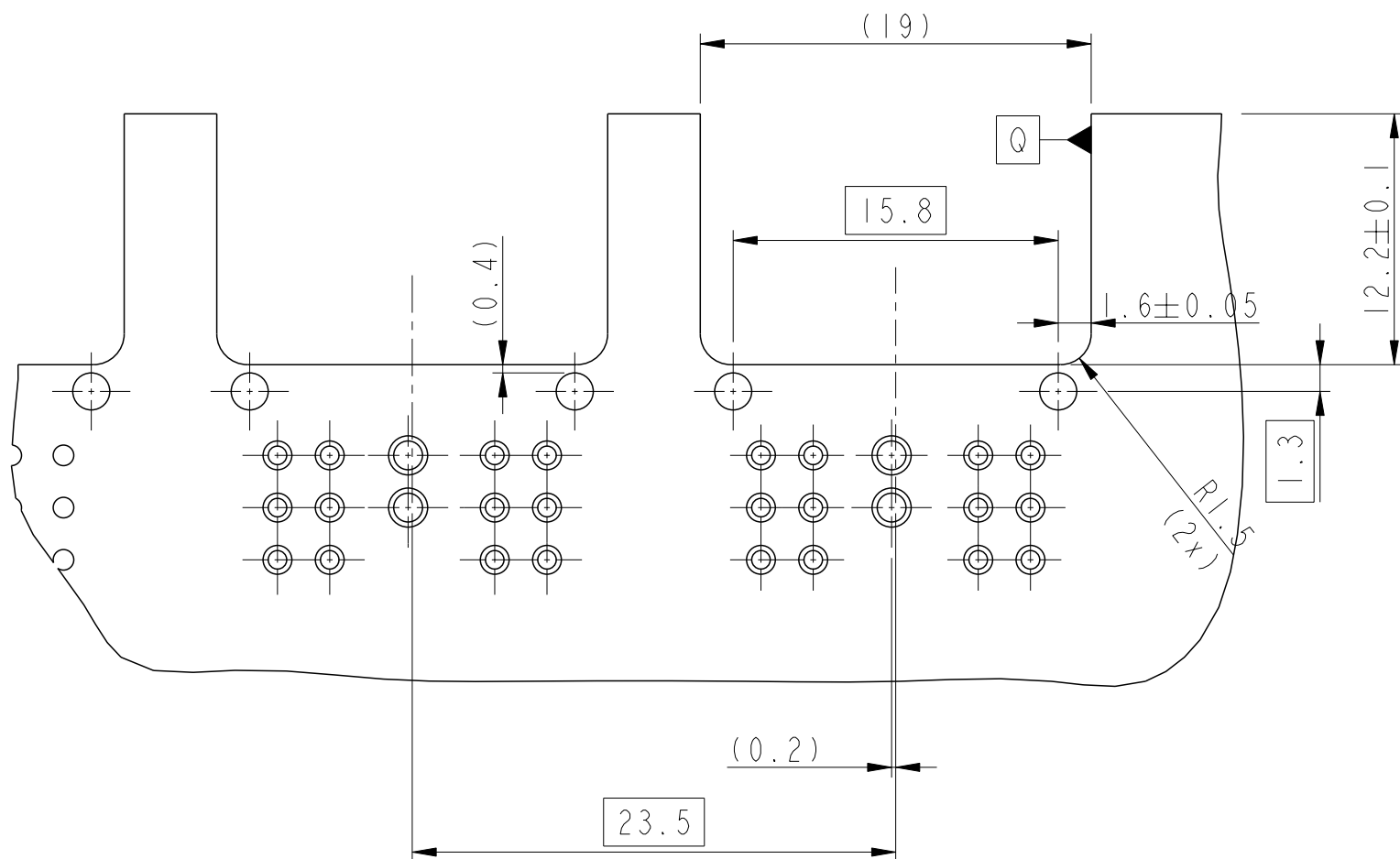
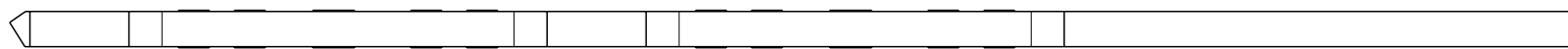


Copyright FCI.

www.fci.com			surface ISO 1302	- ✓	tolerance std ISO 406 ISO 1101	projection mm	A3	
TOLERANCES UNLESS OTHERWISE SPECIFIED						size		Scale
Dr	P.Poorter	2009-03-09	ANGULAR	0.X	±	A3		1:1
Eng	J.de Bruijn	2008-08-05	LINEAR	0.XX	±	ECN		H09-0094
Chr	P.Poorter	2009-03-12	0° ±°	0.XXX	±	Spec ref		-
Appr	J.de Bruijn	2009-03-12	Product family			-		
FCI			PwrProfile+ Board Connector Assembly			dwg no		Rev.
			UNSHIELDED PIP VERSION			10089871		B
catalog no			-			CUSTOMER COPY		sheet 2 of 4

PRODUCT NUMBER

APPLICATION FOR 10089871-101LF



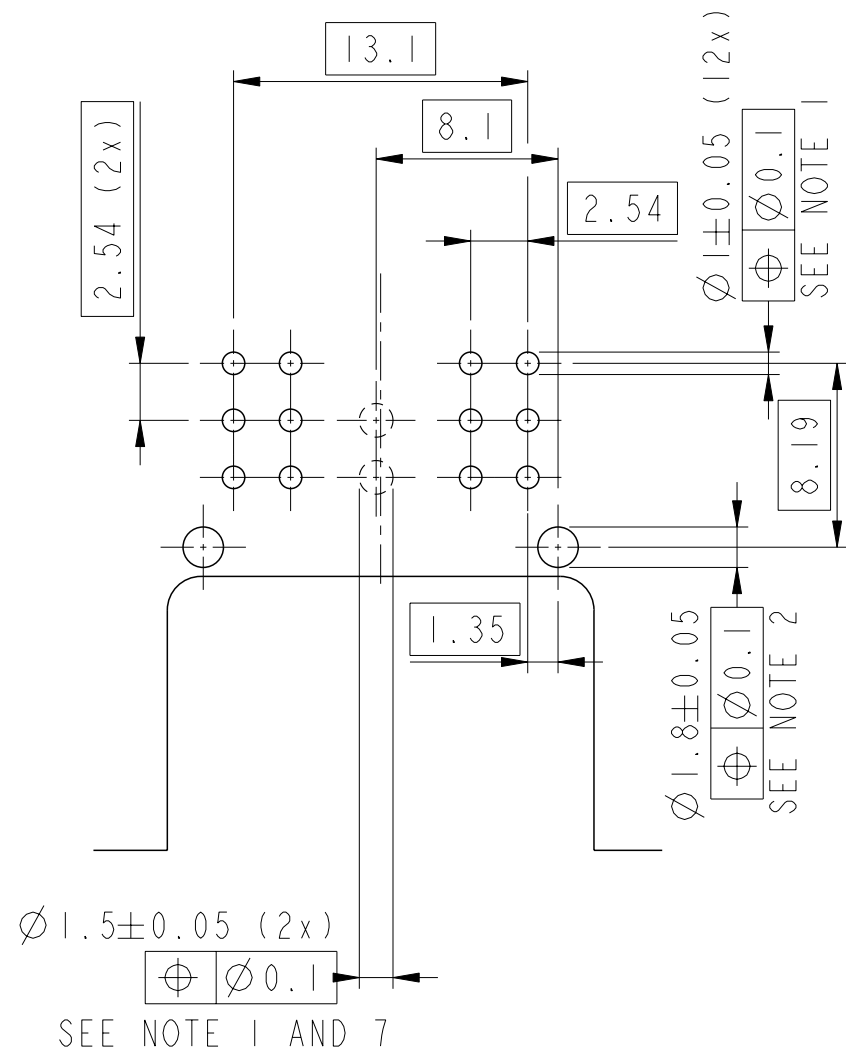
SCALE 2:1

2	PCB
1	BOARD CONNECTOR
NO	PART NAME

www.fci.com			surface - <input checked="" type="checkbox"/> ISO 1302	tolerance std ISO 406 ISO 1101	projection	mm
			TOLERANCES UNLESS OTHERWISE SPECIFIED			
Dr	P.Poorter	2009-03-09	ANGULAR	LINEAR	0.X	±
Eng	J.de Bruijn	2008-08-05			0.XX	±
Chr	P.Poorter	2009-03-12	0°	±°	0.XXX	±
Appr	J.de Bruijn	2009-03-12	Product family		-	Spec ref
			PwrProfile+ Board Connector Assembly		dwg no	10089871
			UNSHIELDED PIP VERSION		Rev.	B
			catalog no	-	CUSTOMER COPY	sheet 3 of 4

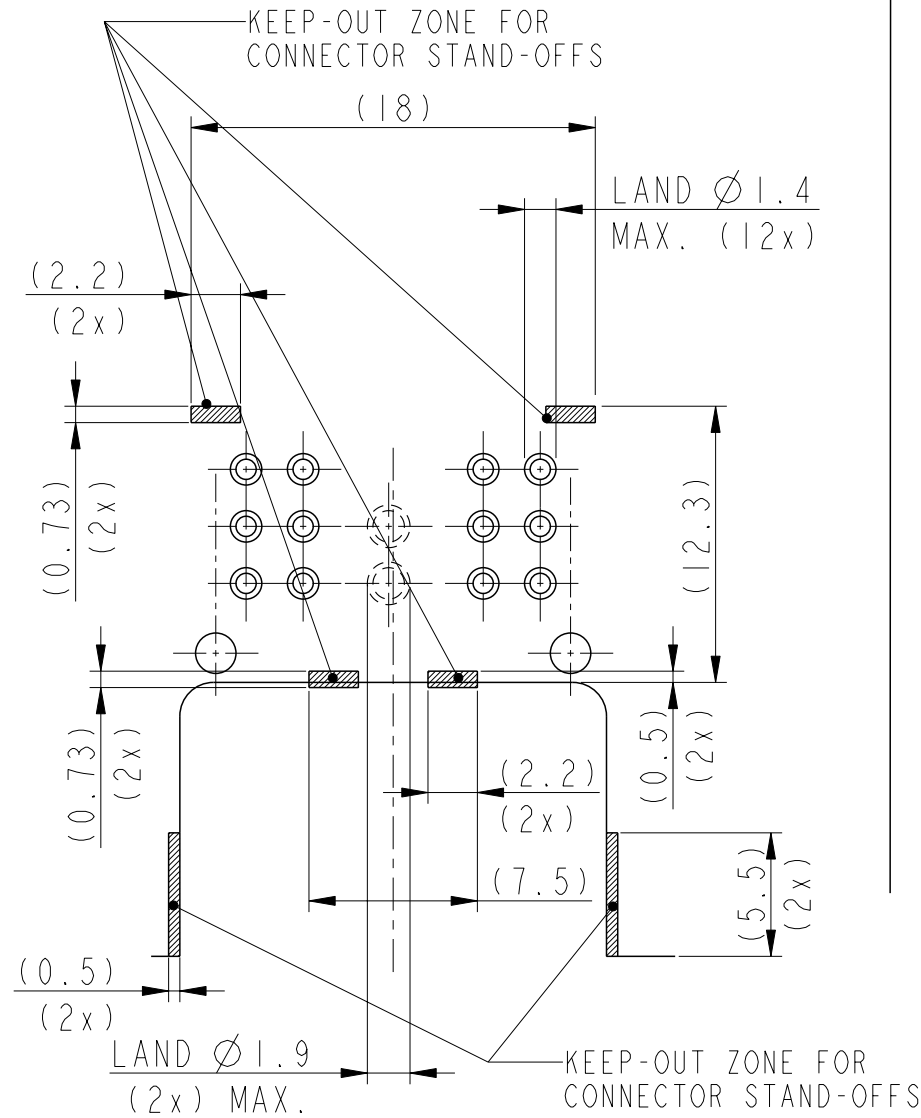
PCB LAYOUT: HOLE PATTERN

PCB thickness 1.6 - 2.4 mm.



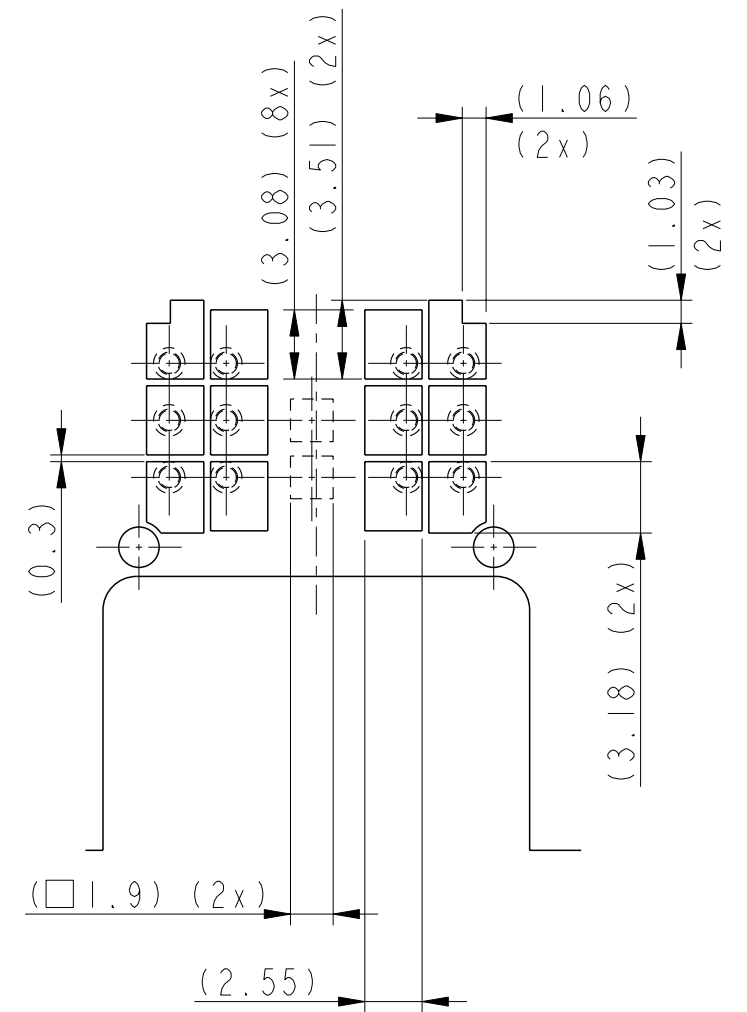
PCB LAYOUT: PLATING

Plating thickness must be constant over the connector area.



PCB LAYOUT : SOLDER PASTE

Assumed stencil thickness 0.10 mm (above copper tracks). The solder content in the paste should be sufficient, typically 50% volume percentage. The solder tail, PCB, stencil and application process determine the solder result. The squeegee process (angle, speed, pressure, material and number of cycles) must be optimized, so that sufficient solder is available.



NOTES:

- HOLE DIAMETER INCLUDES Cu PLATING
- UNPLATED HOLE
- PRODUCT SPECIFICATION: GS-12-594
- PERFORMANCE BASED CONTACT FINISH ACCORDING TO GS-12-594, SECTION 4.3
- FLAMMABILITY CLASS: UL 94-V0
- RoHS COMPLIANT
- ONLY WHEN USING PARTNUMBER 10089871-101LF.

www.fci.com			surface - <input checked="" type="checkbox"/>	tolerance std	projection	mm
			ISO 1302	ISO 406 ISO 1101		
			TOLERANCES UNLESS OTHERWISE SPECIFIED			
Dr	P.Poorter	2009-03-09	ANGULAR	0.X	±	size A3
Eng	J.de Bruijn	2008-08-05		LINEAR	0.XX	
Chr	P.Poorter	2009-03-12	0° ±°	0.XXX	±	ECN H09-0094
Appr	J.de Bruijn	2009-03-12	Product family		-	Spec ref -
		title PwrProfile+ Board Connector Assembly		dwg no 10089871		Rev. B
		UNSHIELDED PIP VERSION		CUSTOMER COPY		sheet 4 of 4
		catalog no -				