

# AI 1 -10 RD-1000 - Ferrule

3203121

<https://www.phoenixcontact.com/us/products/3203121>

Please be informed that the data shown in this PDF document is generated from our online catalog. Please find the complete data in the user documentation. Our general terms of use for downloads are valid.

Ferrule, sleeve length: 10 mm, length: 16 mm, color: red



## Commercial data

Item number	3203121
Packing unit	1 pc
Minimum order quantity	1,000 pc
Sales key	BH34
Product key	BH3411
GTIN	4046356079600
Weight per piece (including packing)	0.108 g
Weight per piece (excluding packing)	0.108 g
Customs tariff number	85369010
Country of origin	DE

3203121

<https://www.phoenixcontact.com/us/products/3203121>

## Technical data

### Product properties

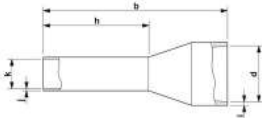
Product type	Cable end sleeve
Conductor category	stranded conductors, class 2, 5, 6 / B, C, K, M

### Connection data

#### Conductor connection

Conductor cross section flexible max.	1 mm <sup>2</sup>
Conductor cross section AWG max.	18
Stripping length	13 mm

### Dimensions

Dimensional drawing	
Length	16 mm
Sleeve length	10 mm
Maximum stripping length	13 mm
Ferrule diameter	1.5 mm
Sleeve wall thickness	0.15 mm
Insulating collar thickness	0.3 mm
Inner dimensions of the insulating collar	3 mm

### Material specifications

Color	red
Material	CU-DHP
Flammability rating according to UL 94	HB
Coating	tin-plated (galvanic)
Components	free from silicone and halogen

### Mechanical properties

#### Technical data

Sleeve length	10 mm
---------------	-------

### Environmental and real-life conditions

#### Ambient conditions

Permanent temperature	105 °C (-40 °C no load / 0 °C dynamic load)
Short-term temperature	120 °C

# AI 1 -10 RD-1000 - Ferrule

3203121

<https://www.phoenixcontact.com/us/products/3203121>



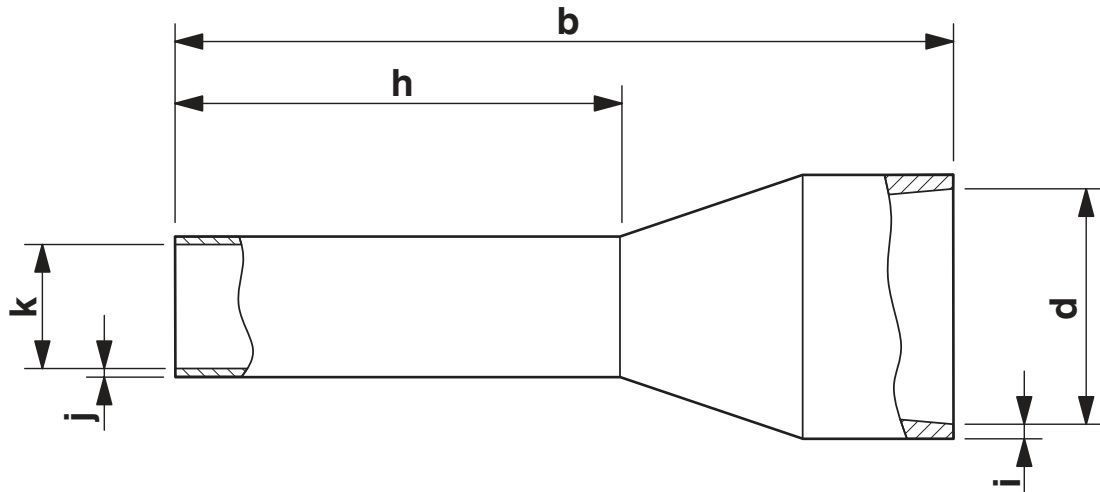
## Standards and regulations

Design according to standard

DIN 46228-4, UL 486F-E, NFC 63-023

Drawings

Dimensional drawing



Length (b), sleeve length (h), insulating collar inner dimension (d), sleeve diameter (k), insulating collar thickness (i), sleeve wall thickness (j)

# AI 1 -10 RD-1000 - Ferrule



3203121

<https://www.phoenixcontact.com/us/products/3203121>

## Approvals

To download certificates, visit the product detail page: <https://www.phoenixcontact.com/us/products/3203121>



**UL Listed**

Approval ID: E488001



**cUL Listed**

Approval ID: E488001

**cULus Listed**

# AI 1 -10 RD-1000 - Ferrule



3203121

<https://www.phoenixcontact.com/us/products/3203121>

## Classifications

### ECLASS

ECLASS-11.0	27400201
ECLASS-13.0	27400201
ECLASS-12.0	27400201

### ETIM

ETIM 8.0	EC000005
----------	----------

### UNSPSC

UNSPSC 21.0	27121700
-------------	----------

# AI 1 -10 RD-1000 - Ferrule

3203121

<https://www.phoenixcontact.com/us/products/3203121>



## Environmental product compliance

China RoHS	Environmentally friendly use period: unlimited = EFUP-e
	No hazardous substances above threshold values

# AI 1 -10 RD-1000 - Ferrule

3203121

<https://www.phoenixcontact.com/us/products/3203121>



## Accessories

### CRIMPFOX CENTRUS 6S - Crimping pliers

1213144

<https://www.phoenixcontact.com/us/products/1213144>



Crimping pliers, for uninsulated and insulated ferrules, DIN 46228 Part 1 and 4, from 0.14 mm<sup>2</sup> ... 6 mm<sup>2</sup>, also for TWIN ferrules up to 2 x 4 mm<sup>2</sup>, automatic cross section adjustment, lateral insertion, equipped with fall protection

---

### CRIMPFOX CENTRUS 6H - Crimping pliers

1213146

<https://www.phoenixcontact.com/us/products/1213146>



Crimping pliers, for uninsulated and insulated ferrules, DIN 46228 Part 1 and 4, from 0.14 mm<sup>2</sup> ... 6 mm<sup>2</sup>, also for TWIN ferrules up to 2 x 4 mm<sup>2</sup>, automatic cross section adjustment, lateral insertion, equipped with fall protection



# AI 1 -10 RD-1000 - Ferrule

3203121

<https://www.phoenixcontact.com/us/products/3203121>



## CRIMPFOX CENTRUS 10S - Crimping pliers

1213154

<https://www.phoenixcontact.com/us/products/1213154>



Crimping pliers, for uninsulated and insulated ferrules, DIN 46228 Part 1 and 4, from 0.14 mm<sup>2</sup> ... 10 mm<sup>2</sup>, also for TWIN ferrules up to 2 x 4 mm<sup>2</sup>, automatic cross section adjustment, lateral insertion, equipped with fall protection

---

## CRIMPFOX CENTRUS 10H - Crimping pliers

1213156

<https://www.phoenixcontact.com/us/products/1213156>



Crimping pliers, for uninsulated and insulated ferrules, DIN 46228 Part 1 and 4, from 0.14 mm<sup>2</sup> ... 10 mm<sup>2</sup>, also for TWIN ferrules up to 2 x 4 mm<sup>2</sup>, automatic cross section adjustment, lateral insertion, equipped with fall protection

# AI 1 -10 RD-1000 - Ferrule

3203121

<https://www.phoenixcontact.com/us/products/3203121>



## CRIMPFOX 10S - Crimping pliers

1212045

<https://www.phoenixcontact.com/us/products/1212045>



Crimping pliers, for ferrules without insulating collar according to DIN 46228 Part 1 and ferrules with insulating collar according to DIN 46228 Part 4, 0.14 mm<sup>2</sup> ... 10 mm<sup>2</sup>, unlockable pressure lock, lateral entry

---

## CRIMPFOX 6H - Crimping pliers

1212046

<https://www.phoenixcontact.com/us/products/1212046>



Crimping pliers, for ferrules without insulating collar according to DIN 46228 Part 1 and ferrules with insulating collar according to DIN 46228 Part 4, 0.14 mm<sup>2</sup> ... 6 mm<sup>2</sup>, unlockable pressure lock, lateral entry

# AI 1 -10 RD-1000 - Ferrule

3203121

<https://www.phoenixcontact.com/us/products/3203121>



## CRIMPFOX 2,5-M - Crimping pliers

1212719

<https://www.phoenixcontact.com/us/products/1212719>



Crimping pliers, for ferrules without insulating collar according to DIN 46228 Part 1 and ferrules with insulating collar according to DIN 46228 Part 4, 0.25 mm<sup>2</sup> ... 2.5 mm<sup>2</sup>, lateral entry, trapezoidal crimp

---

## CRIMPFOX 6-M - Crimping pliers

1212720

<https://www.phoenixcontact.com/us/products/1212720>



Crimping pliers, for ferrules without insulating collar according to DIN 46228 Part 1 and ferrules with insulating collar according to DIN 46228 Part 4, 0.25 mm<sup>2</sup> ... 6.0 mm<sup>2</sup>, lateral entry, trapezoidal crimp

# AI 1 -10 RD-1000 - Ferrule

3203121

<https://www.phoenixcontact.com/us/products/3203121>



## CRIMPFOX 6 - Crimping pliers

1212034

<https://www.phoenixcontact.com/us/products/1212034>



Crimping pliers, for ferrules without insulating collar according to DIN 46228 Part 1 and ferrules with insulating collar according to DIN 46228 Part 4, 0.25 mm<sup>2</sup> ... 6.0 mm<sup>2</sup>, lateral entry, trapezoidal crimp

---

## CRIMPFOX 6T - Crimping pliers

1212037

<https://www.phoenixcontact.com/us/products/1212037>



Crimping pliers, for ferrules without insulating collar according to DIN 46228 Part 1 and ferrules with insulating collar according to DIN 46228 Part 4, 0.25 mm<sup>2</sup> ... 6 mm<sup>2</sup>, lateral entry, trapezoidal crimp

# AI 1 -10 RD-1000 - Ferrule

3203121

<https://www.phoenixcontact.com/us/products/3203121>



## CRIMPFOX 6T-F - Crimping pliers

1212038

<https://www.phoenixcontact.com/us/products/1212038>



Crimping pliers, for ferrules without insulating collar according to DIN 46228 Part 1 and ferrules with insulating collar according to DIN 46228 Part 4, 0.25 mm<sup>2</sup> ... 6 mm<sup>2</sup>, front entry, trapezoidal crimp

---

## CRIMPFOX 6S-F - Crimping pliers

1212043

<https://www.phoenixcontact.com/us/products/1212043>



Crimping pliers, for ferrules without insulating collar according to DIN 46228 Part 1 and ferrules with insulating collar according to DIN 46228 Part 4, 0.5 mm<sup>2</sup> ... 6 mm<sup>2</sup>, front entry, square crimp

# AI 1 -10 RD-1000 - Ferrule

3203121

<https://www.phoenixcontact.com/us/products/3203121>



## CRIMPFOX 16 S - Crimping pliers

1207983

<https://www.phoenixcontact.com/us/products/1207983>



Crimping pliers for ferrules up to 16 mm<sup>2</sup>

---

Phoenix Contact 2023 © - all rights reserved

<https://www.phoenixcontact.com>

Phoenix Contact USA  
586 Fulling Mill Road  
Middletown, PA 17057, United States  
(+717) 944-1300  
[info@phoenixcon.com](mailto:info@phoenixcon.com)