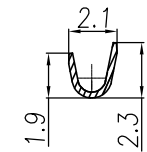
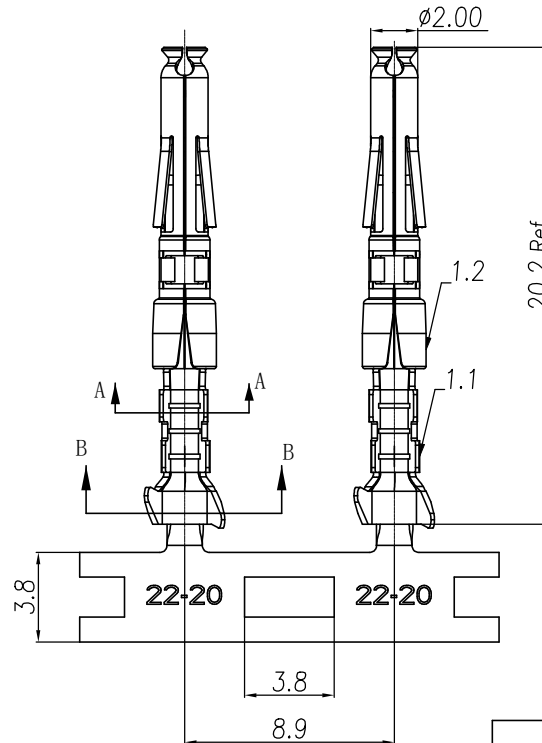
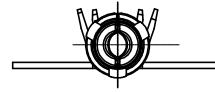


CONTACT ORIENTATION ON ROLL

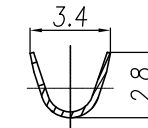
NOTES: (UNLESS OTHERWISE SPECIFIED)

1. MATERIAL:
 - 1.1. CONTACT BODY: COPPER ALLOY.
 - 1.2. OUTER SPRING: STAINLESS STEEL.
2. SPECIFICATIONS:
 - 2.1 CURRENT RATING: 5A MAX.
 - 2.2 TERMINATION TYPE: CRIMPING.
 - 2.3 WIRE RANGE: 22~20AWG.
 - 2.4 WIRE INSULATION DIA(MAX): Ø2.6mm.
3. RoHS COMPLIANT.
4. ALL DIMENSIONS ARE FOR REFERENCE USE ONLY.
5. AVAILABLE TOOLS:
 - 5.1 HAND CRIMPER: MFX-3958. ^(A3)
 - 5.2 CRIMP APPLICATOR: MFX-3957.
 - 5.3 EXTRACTION TOOL: QXRT20.

REVISIONS					
REV	ECO	DESCRIPTION	DATE	BY	APPR
A1	-	RELEASED DRAWING	Nov-9-17	Rookie	Tommy
A2	-	ADD THE G5 PART NUMBER	Jan-28-19	Blink	Tommy
A3	-	CHANGE HAND CRIMPER	Nov-8-19	Flan	Tommy



SECTION A-A



SECTION B-B

P/N	CONTACT PLATING(MATING AREA)
SS20W2T	TIN PLATING OVER NICKEL.
SS20W2N	NICKEL PLATING OVER COPPERIZE.
SS20W2F	GOLD FLASH PLATING OVER NICKEL.
SS20W2G5	5μ"GOLD PLATING OVER NICKEL.
SS20W2G10	10μ"GOLD PLATING OVER NICKEL.
SS20W2G15	15μ"GOLD PLATING OVER NICKEL.
SS20W2G30	30μ"GOLD PLATING OVER NICKEL.

QUANTITY	PART NUMBER	DESCRIPTION	ITEM
MATERIALS LIST			
UNLESS OTHERWISE SPECIFIED		SIGNATURES DATE	
1) All dimensions are in metric(mm).		DRAWN: Flan	Nov-8-19
2) Tolerances are as follows:		CHECKED: Flan	Nov-8-19
1 PL DEC ±0.30		ENGINEER:	
2 PL DEC ±0.15		APPROVAL: Tommy	Nov-8-19
3 PL DEC ±0.08		CUSTOMER:	
3) Note reference =		THIS DRAWING IS SUPPLIED FOR INFORMATION ONLY. DESIGN FEATURES, SPECIFICATIONS AND PERFORMANCE DATA SHOWN HEREON ARE THE PROPERTY OF THE AMPHENOL CORPORATION. NO RIGHTS OF REPRODUCTION ARE IMPLIED. ALL DIMENSIONS ARE SUBJECT TO NORMAL MANUFACTURING VARIATIONS.	
MATERIAL SPECIFICATIONS:		SINE SYSTEMS - www.amphenol-sine.com 44724 Morley Drive Clinton Township, MI 48036	
PROCESS SPECIFICATIONS:		ECO-MATE, SOCKET CONTACT, STAMPED, 20-22AWG, SIZE 20	
NEXT ASSY:		SIZE: B C-	DWG NO: SS20W2XX
		SCALE: NONE	REVISION: A3
		SHEET 1 OF 1	

TITLE: ECO-MATE, SOCKET CONTACT, STAMPED, 20-22AWG, SIZE 20
DWG NO: SS20W2XX
REV: A3
SH: 1
OF: 1

(A2)