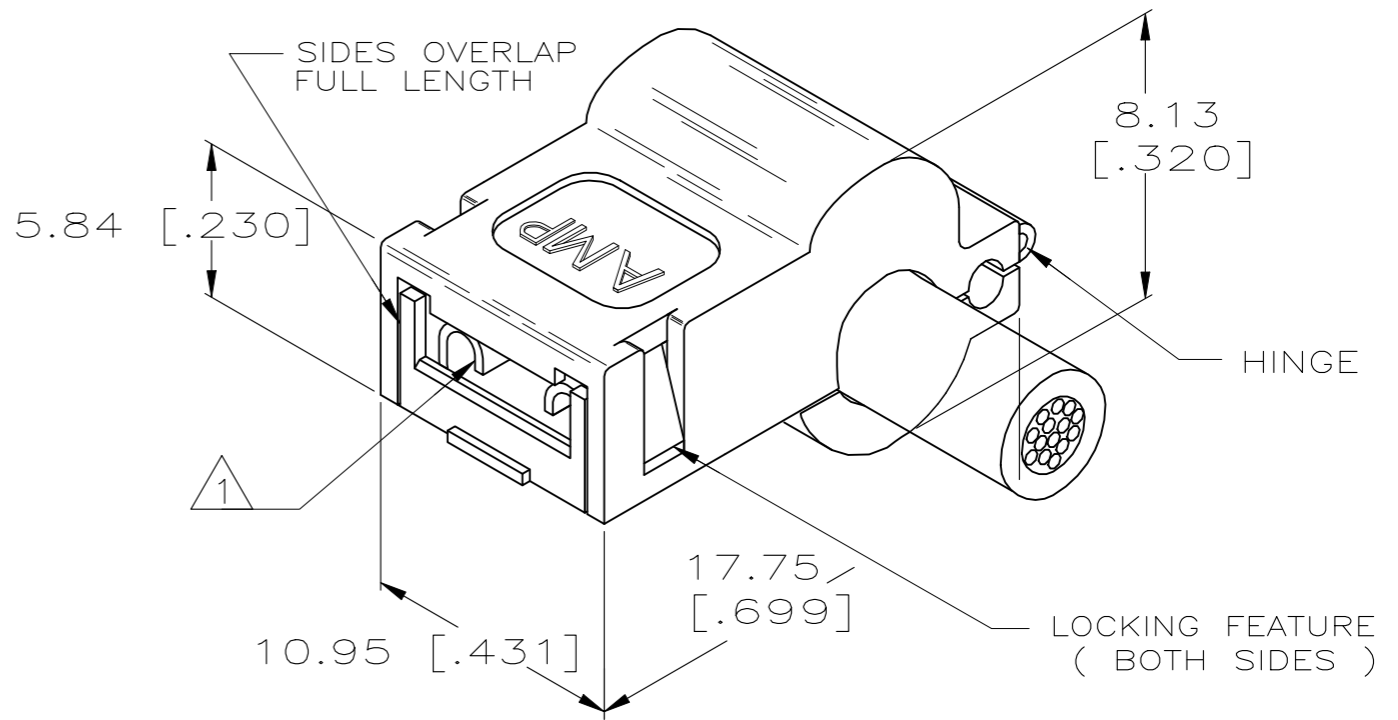
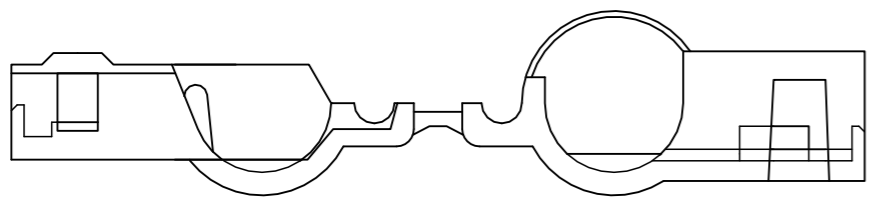
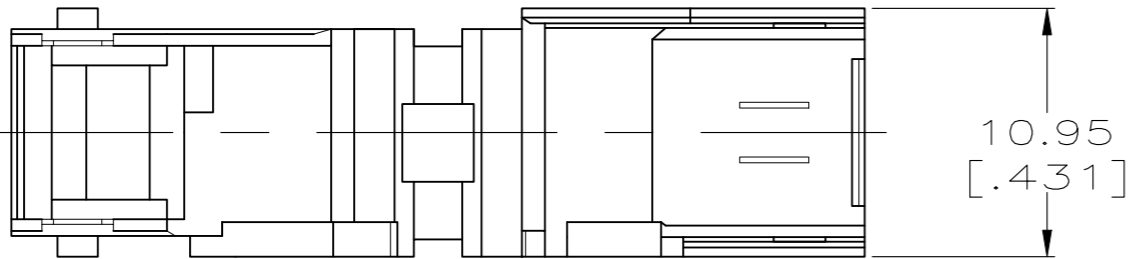
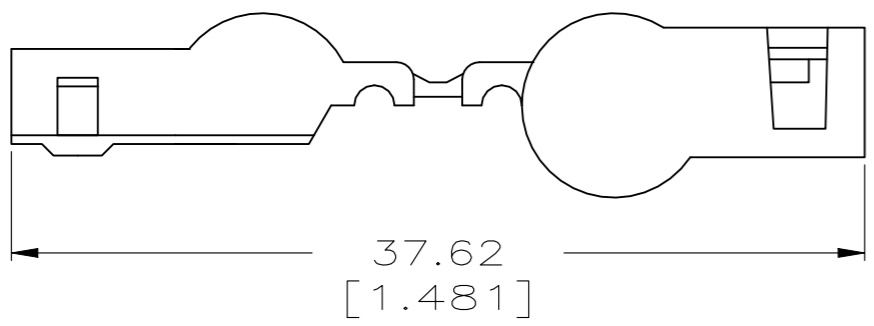


THIS DRAWING IS UNPUBLISHED. RELEASED FOR PUBLICATION
 © COPYRIGHT - TE Connectivity Ltd. ALL RIGHTS RESERVED.

REVISIONS				
P	LTR	DESCRIPTION	DATE	APVD
H		REVISED PER ECN-22-147652	07APR2022	MK ES



NOTES:

- 1 4.75 [.187] SERIES TAB-LOK FLAG FASTON RECEPTACLE. TERMINAL NUMBERS 42486, 42618, 42800, AND 60820.
- 2 SEE CP-29349 FOR RECOMMENDED TAB DETAILS.
- 3 CONTINUOUS STRIP ON REELS.
- 4 LOOSE PIECE (ONE POD).
- 5 GLOW WIRE APPROVED, CONTACT TYCO ELECTRONICS FOR ENGN SPECIFICATIONS, ALL WALL THICKNESSES ARE BETWEEN 0.4mm AND 3.0mm.
- 6 SUPERSEDED BY 480487-4
- 7 REFER TO SPECIFICATION 408-143119 FOR GUIDANCE ON RE-MOISTURIZATION AND PART STORAGE

TYPE	MATERIAL	PART NO.
4 LOOSE PIECE	5 66 NYLON VOGWT 130C	480487-4
4 LOOSE PIECE	5	1-480487-4
OBSOLETE 4 LOOSE PIECE	6/6 NYLON, VO	1-480487-3
4 LOOSE PIECE	6/6 NYLON	1-480487-2
OBSOLETE 3 STRIP	6/6 NYLON	1-480487-0

THIS DRAWING IS A CONTROLLED DOCUMENT.		DWN JR RUTH 6/27/97	STE TE Connectivity	
		CHK MS FEHER 6/27/97		
DIMENSIONS: mm [INCHES]		APVD R BEAVER 6/27/97	NAME	
TOLERANCES UNLESS OTHERWISE SPECIFIED:		PRODUCT SPEC	HOUSING, AMPIP, FASTON, TAB-LOK, 4.75 [.187] SERIES	
0 PLC ± -		APPLICATION SPEC	SIZE	RESTRICTED TO
1 PLC ± -		WEIGHT	A3	—
2 PLC ± 0.38 [.015]		CUSTOMER DRAWING	CAGE CODE 00779	DRAWING NO C-480487
3 PLC ± -		SCALE 3:1	SHEET 1 OF 1	REV H
4 PLC ± -				
4 PLC ANGLES ± -				
FINISH				
MATERIAL SEE TABLE				
NATURAL				