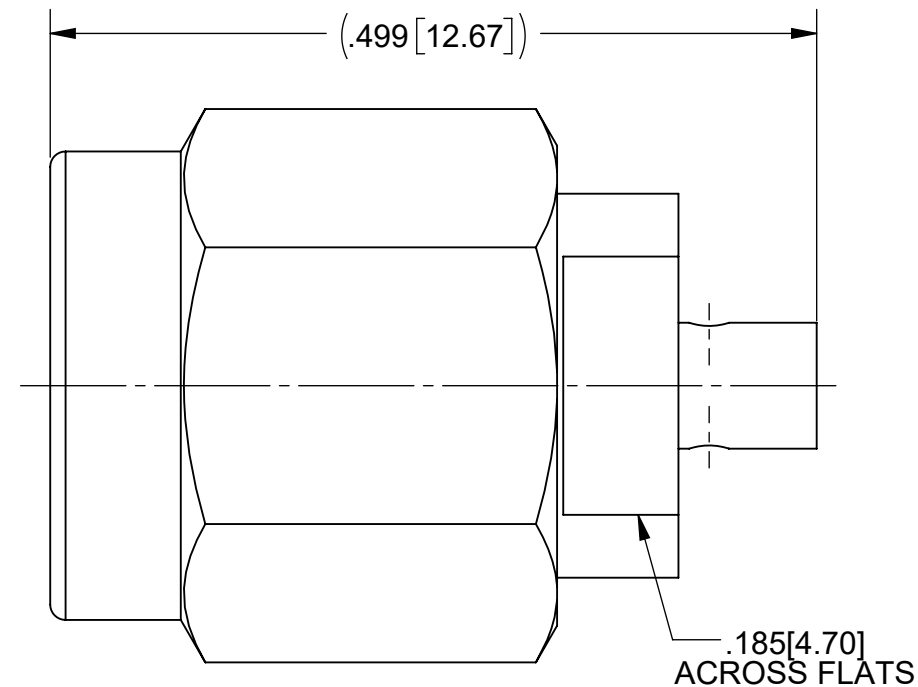
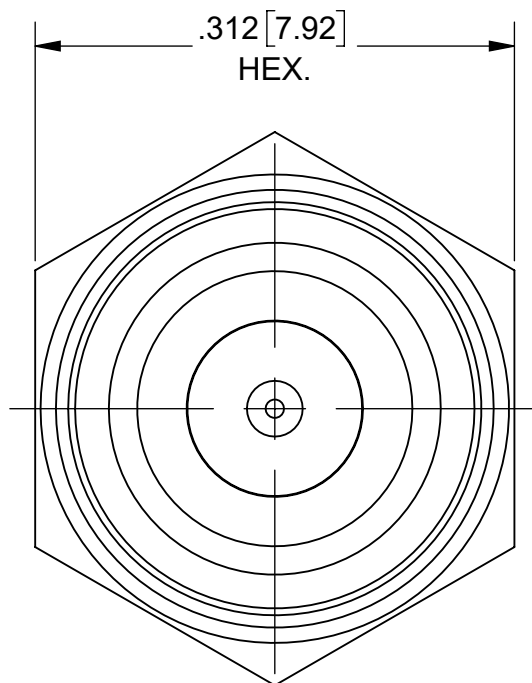
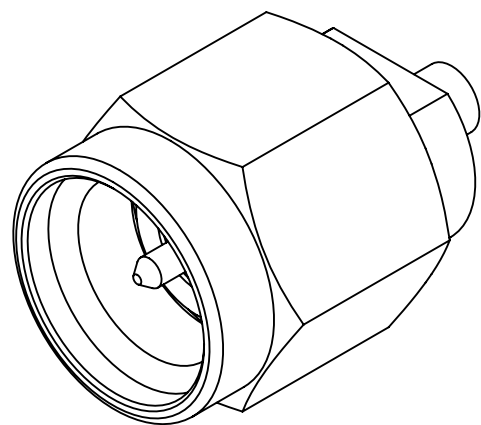


PRODUCT DATA DRAWING

| REVISION HISTORY | | | |
|------------------|-------------|-------|----------|
| REV | DESCRIPTION | DATE | APPROVED |
| A | DCN 41517 | 07/15 | SEE PDM |
| B | DCN 51187 | 11/21 | |



MATERIAL:


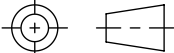
| | |
|----------------------|------------------|
| BODY & COUPLING NUT: | STAINLESS STEEL |
| LOCK RING & CONTACT: | BERYLLIUM COPPER |
| INSULATOR: | PTFE |
| GASKET: | SILICONE RUBBER |

FINISH:

| | |
|-----------------|------------------|
| COUPLING NUT: | PASSIVATED |
| BODY & CONTACT: | GOLD OVER NICKEL |

PERFORMANCE:

| | |
|--------------|-----------------|
| IMPEDANCE: | 50 OHMS |
| FREQ. RANGE: | DC TO 26.5 GHz. |

| | | | |
|---|---|--|---|
| MATERIAL: SEE NOTES | DIMENSIONS ARE IN INCHES TOLERANCES: FRACTIONAL: $\pm 1/64$ ANGULAR: X° $\pm 1'0''$ X°X' $\pm 15''$ | UNLESS OTHERWISE SPECIFIED 1) ALL DIMENSIONS ARE IN INCHES (MILLIMETERS) 2) ALL DIMENSIONS ARE AFTER PLATING. 3) BREAK CORNERS & EDGES .005 R. MAX. 4) CHAM. 1ST & LAST THREADS. 5) SURFACE ROUGHNESS 63-MIL-STD-10. 6) DIA: 'S ON COMMON CENTERS TO BE CONCENTRIC WITHIN .005 T.I.R. 7) REMOVE ALL BURRS |  www.svmicrowave.com TITLE: SMA PLUG FOR .047 FLEX CABLE |
| FINISH: SEE NOTES | DECIMAL: X $\pm .030$.XX $\pm .010$.XXX $\pm .005$ | | |
| SURFACE AREA: N/A | INTERPRET DIMENSIONS AND TOLERANCES PER ASME Y14.5M - 1994 | DRAWN: ELA 10/16/12 | SIZE DWG. NO. SF2911-60172 |
| PROPRIETARY THE INFORMATION CONTAINED IN THIS DRAWING IS THE SOLE PROPERTY OF SV MICROWAVE, INC. ANY REPRODUCTION IN PART OR AS A WHOLE WITHOUT THE WRITTEN PERMISSION OF SV MICROWAVE, INC IS PROHIBITED. | THIRD ANGLE PROJECTION | CHECKED: SEE PDM | SCALE: 8:1 |
| |  | APPROVED: SEE PDM | SHEET 1 OF 1 |