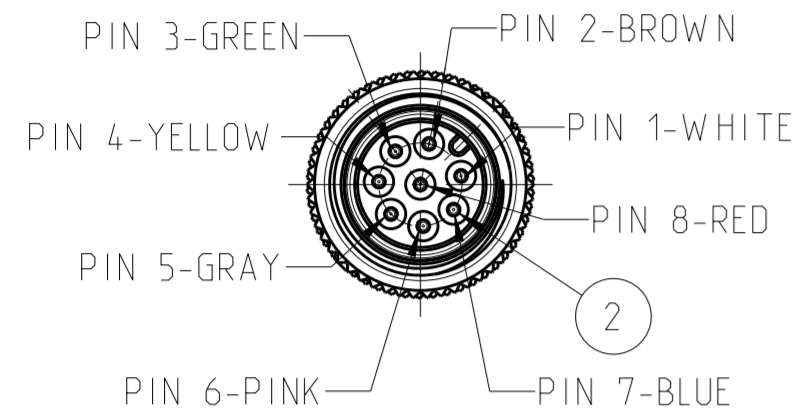
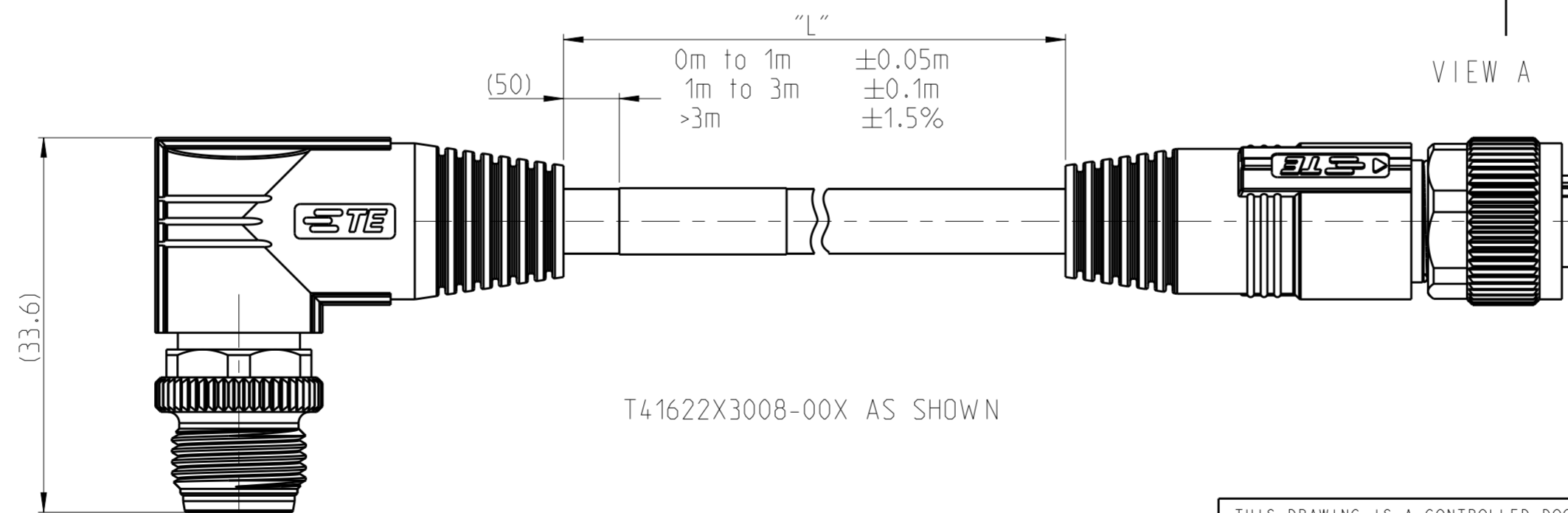
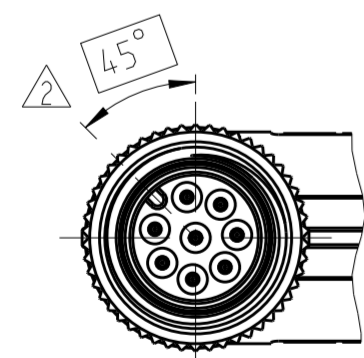
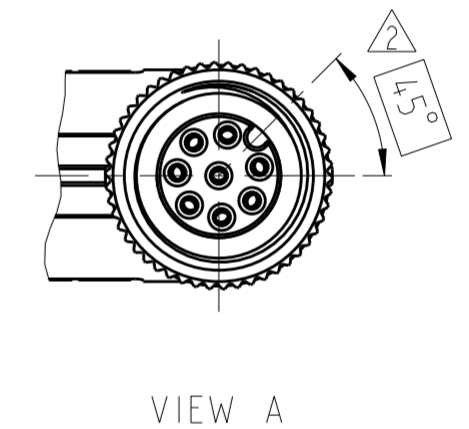
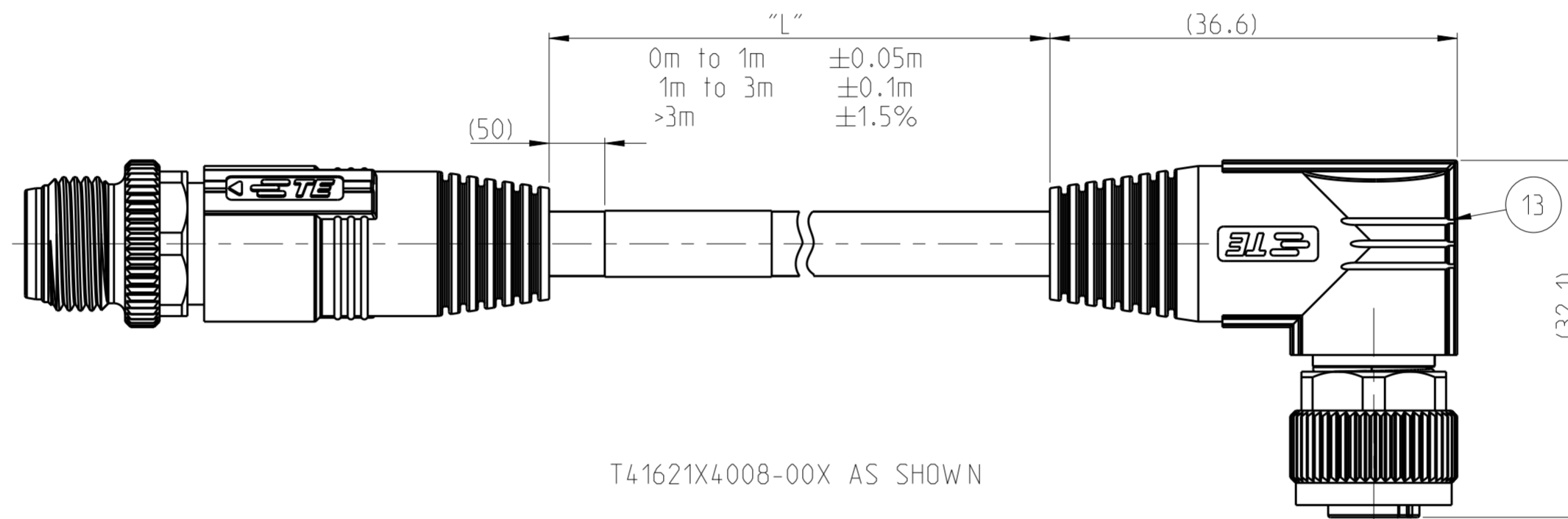
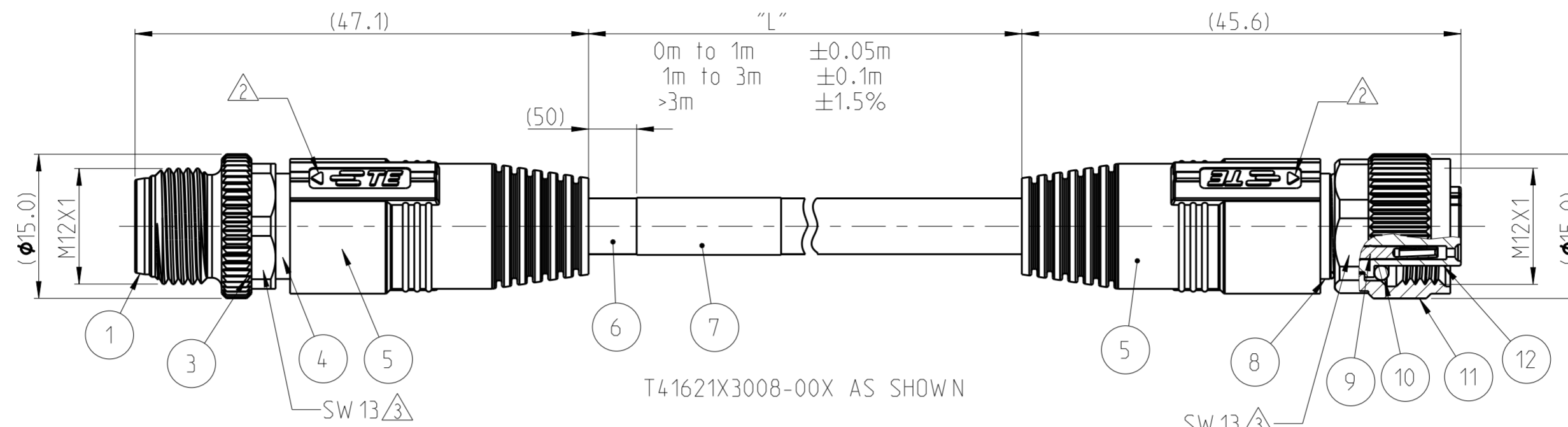
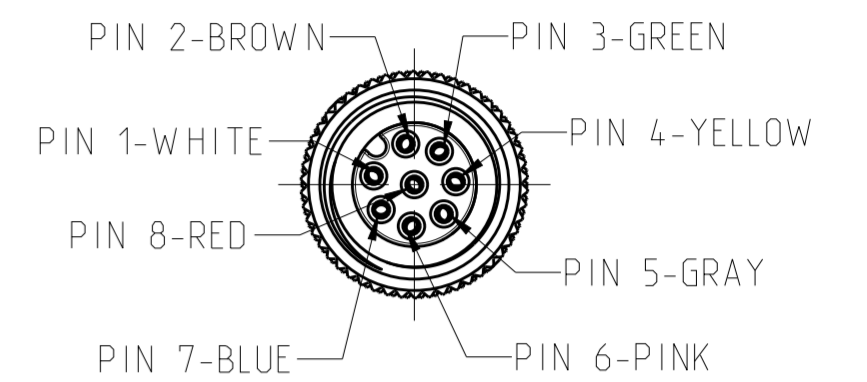


P	LTR	DESCRIPTION	DATE	DWN	APVD
A		INITIAL RELEASE	19APR2019	G.W	C.W

S1: MALE SIDES FACE VIEWS



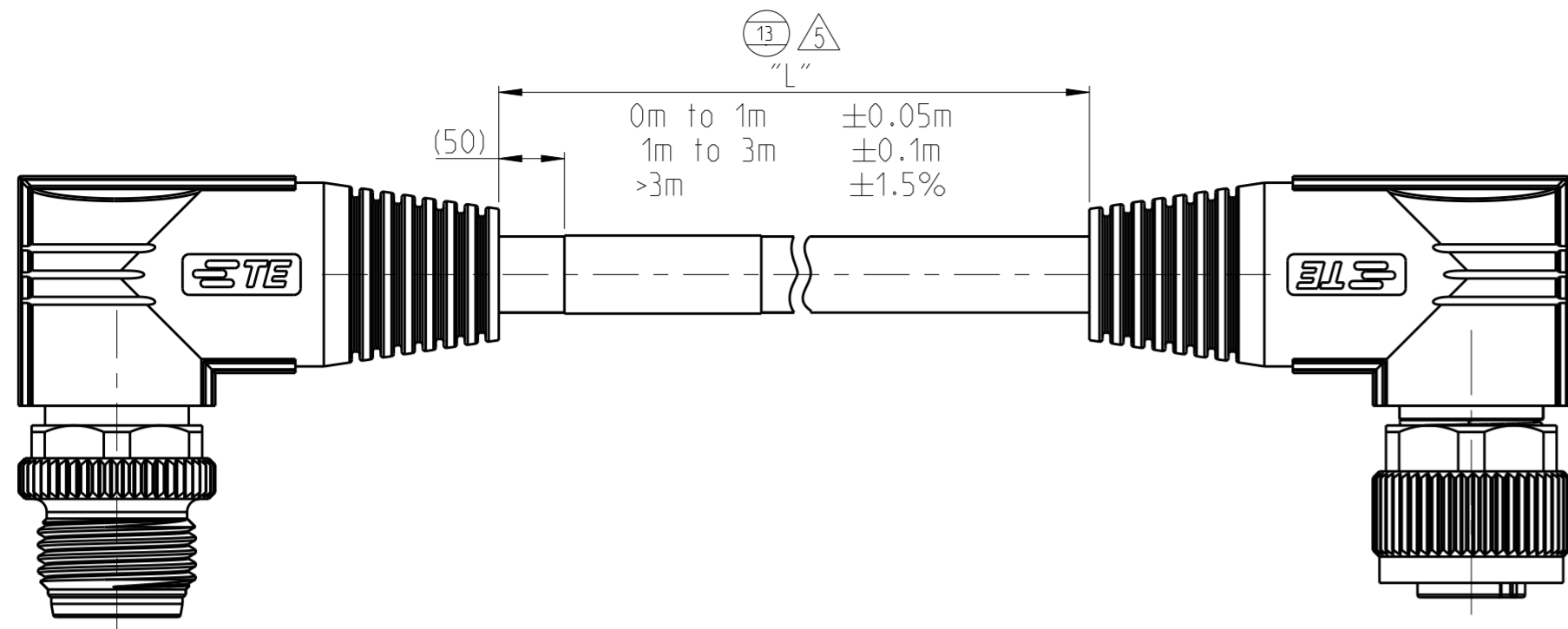
S2: FEMALE SIDES FACE VIEWS



ITEM	DESCRIPTION	MATERIAL	OTHERS
13	RA OVER-MOLDING	POLYURETHANE	BLUE
12	FEMALE HOUSING	NYLON	BLACK
11	FEMALE NUT	COPPER ALLOY	NICKEL PLATED
10	O-RING	SILICON	GRAY
9	FEMALE CONTACT	COPPER ALLOY	FLASH GOLD
8	FEMALE SHELL	COPPER ALLOY	-
7	LABEL	-	-
6	CABLE	-	-
5	STRAIGHT OVER-MOLDING	POLYURETHANE	BLUE
4	MALE SHELL	COPPER ALLOY	-
3	MALE NUT	COPPER ALLOY	NICKEL PLATED
2	MALE CONTACT	COPPER ALLOY	FLASH GOLD
1	MALE HOUSING	NYLON	BLACK

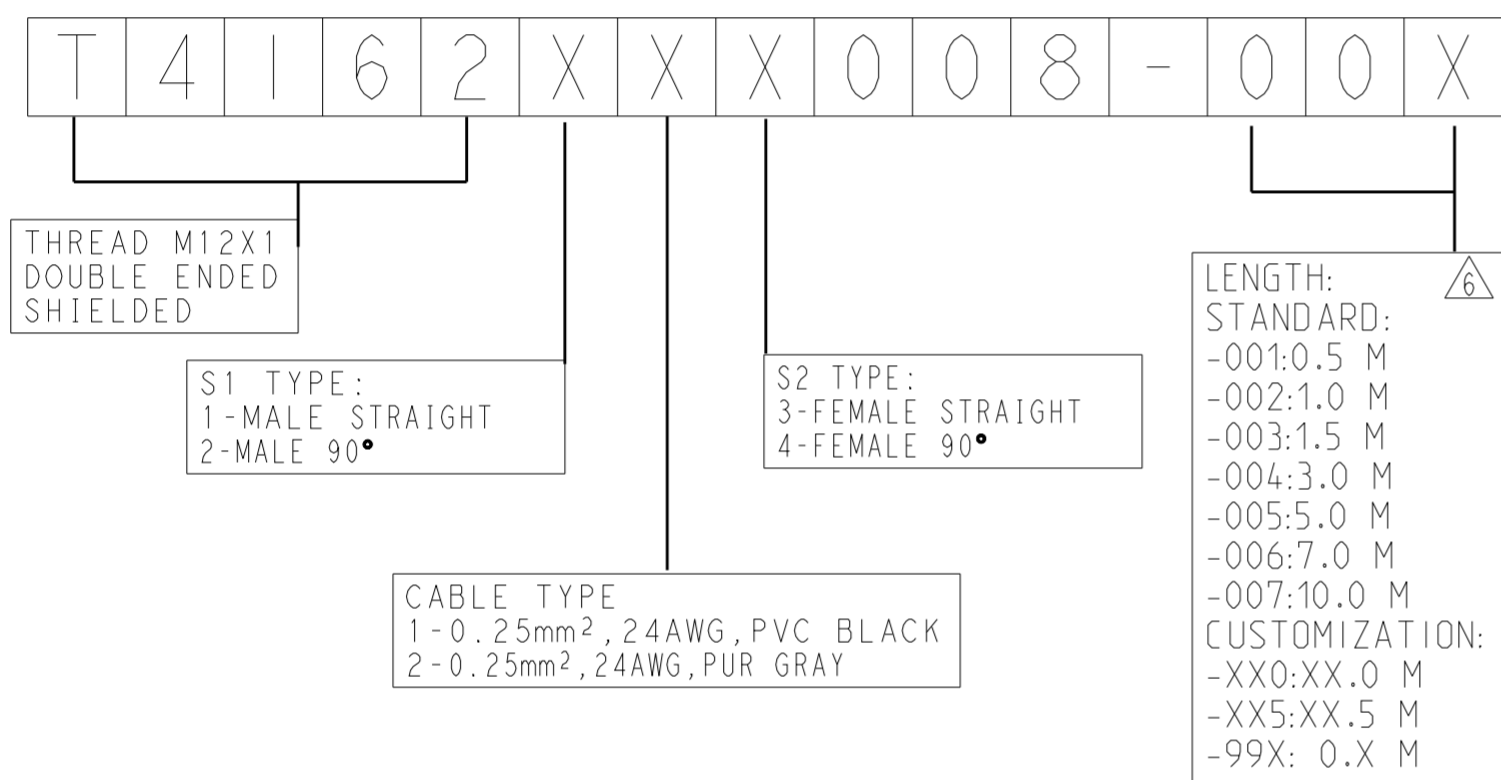
THIS DRAWING IS A CONTROLLED DOCUMENT.

DWN GAVIN WANG 18APR2019	TE Connectivity	NAME M12X1 MALE TO FEMALE, 8P A-CODE, SHIELDED
CHK KEVIN HUANG 18APR2019		
APVD CHRIS WANG 18APR2019		
PRODUCT SPEC 108-106140		
MATERIAL	RESTRICTED CUSTOMER	RESTRICTED TO
DIMENSIONS: mm	TOLERANCES UNLESS OTHERWISE SPECIFIED: 0 PLC ± 1 PLC ± 2 PLC ± 3 PLC ± 4 PLC ± ANGLES ± FINISH	SIZE A2 CAGE CODE - DRAWING NO. G-T4162XXX00800X SCALE 1:1 SHEET 1 OF 2 REV A



T41622X4008-00X AS SHOWN

TE PN CODING:



NOTE:

- 1. TECHNICAL DATA: SEE TABLE 1
- 2. CODE POSITION INDICATOR
- 3. RECOMMENDED TORQUE 0.6 Nm
- 4. CABLE ASSEMBLY TO BE PACKAGED IN POLYBAGS
- 5. LABEL CONTAINS: PN, DATE CODE...
- 6. CABLE LENGTH CODE:
STANDARD LENGTH:001...007
CUSTOMIZATION LENGTH: >1.0M;XX0 OR XX5
EXAMPLE:3.5M:035;15.0M:150...
<1.0M;99X
EXAMPLE:0.4M:994;...0.9M:999

注释:

- 1. 技术参数: 参考表 1
- 2. CODE位置指示
- 3. 推荐扭矩0.6 Nm
- 4. 线缆组件塑料袋包装
- 5. 标签包含: 产品编号, 日期代码...
- 6. 线缆长度编码:
标准长度: 001...007
定制长度: >1.0M; XX0 或 XX5
例如: 3.5M:035; 15.0M:150...
<1.0M; 99X
例如: 0.4M:994; ...0.9M:999

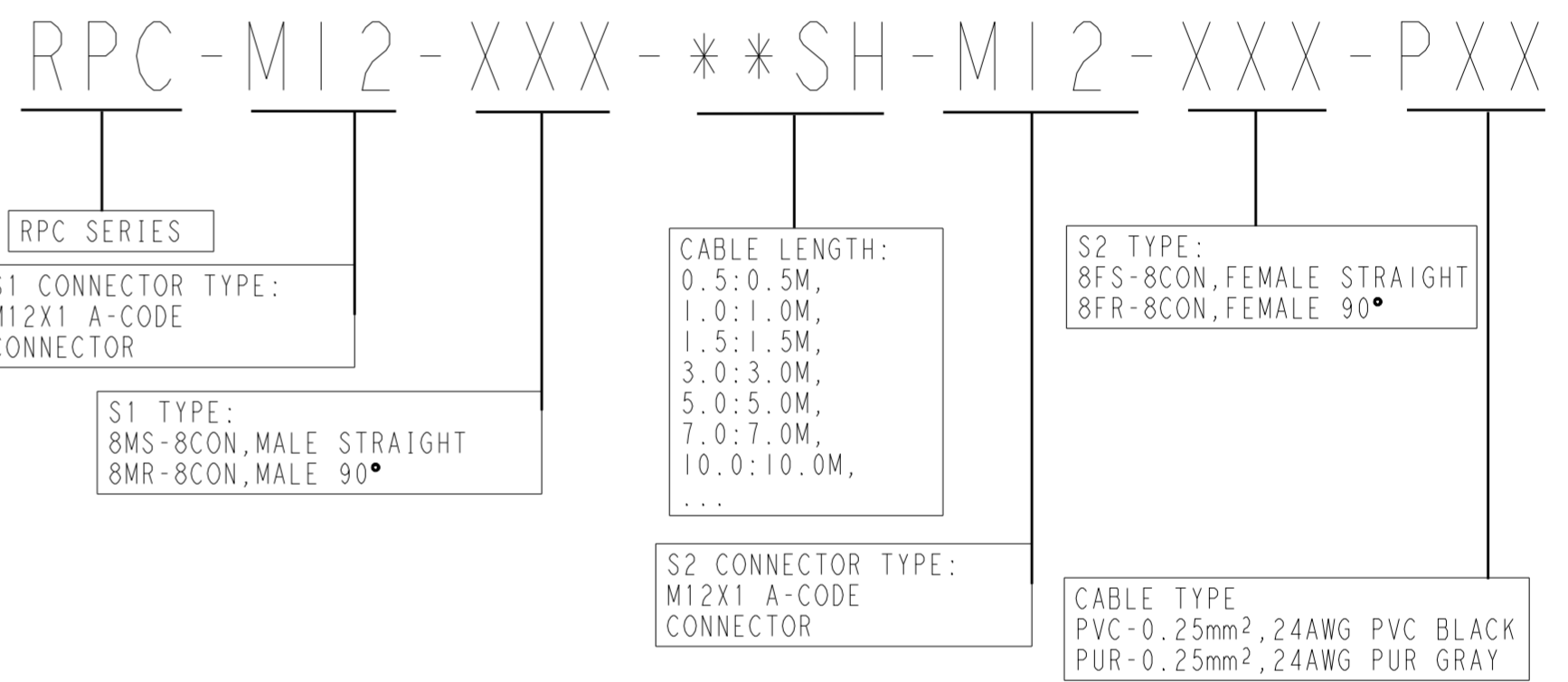
REVISIONS

P	LTR	DESCRIPTION	DATE	DWN	APVD
		SEE SHEET 1			

TABLE 1

TECHNICAL DATA	T4162XX008-00X
RATED VOLTAGE	30V
RATED IMPULSE VOLTAGE	800V
RATED CURRENT	2A
POLLUTION DEGREE	3
OVERVOLTAGE CATEGORY	II
MATERIAL GROUP	II
DEGREE OF PROTECTION	IP67

TE TYPE CODING:



CABLE TEMP. RANGE	JACKET COLOR	JACKET MATERIAL	TYPE	POS.	TE PART NUMBER
FIXED: -40°C~+80°C FLXIBLE: -25°C~+80°C	GRAY	PUR (UL)	RPC-M12-8MR-**SH-M12-8FR-PUR	8	T4162224008-00X
	BLACK	PVC (UL)	RPC-M12-8MR-**SH-M12-8FR-PVC	8	T4162214008-00X
	GRAY	PUR (UL)	RPC-M12-8MR-**SH-M12-8FS-PUR	8	T4162223008-00X
	BLACK	PVC (UL)	RPC-M12-8MR-**SH-M12-8FS-PVC	8	T4162213008-00X
	GRAY	PUR (UL)	RPC-M12-8MS-**SH-M12-8FR-PUR	8	T4162124008-00X
	BLACK	PVC (UL)	RPC-M12-8MS-**SH-M12-8FR-PVC	8	T4162114008-00X
	GRAY	PUR (UL)	RPC-M12-8MS-**SH-M12-8FS-PUR	8	T4162123008-00X
	BLACK	PVC (UL)	RPC-M12-8MS-**SH-M12-8FS-PVC	8	T4162113008-00X

THIS DRAWING IS A CONTROLLED DOCUMENT.

DIMENSIONS: mm	TOLERANCES UNLESS OTHERWISE SPECIFIED:	DWN: GAVIN WANG 18APR2019	TE Connectivity
	0 PLC ± 1 PLC ± 2 PLC ± 3 PLC ± 4 PLC ± ANGLES ± FINISH ±	CHK: KEVIN HUANG 18APR2019	
		APVD: CHRIS WANG 18APR2019	
MATERIAL		PRODUCT SPEC: 108-106140	NAME: M12X1 MALE TO FEMALE, 8P A-CODE, SHIELDED
		APPLICATION SPEC: 114-137144	SIZE: A2
		WEIGHT: -	CAGE CODE: -
		RESTRICTED CUSTOMER	DRAWING NO: T4162XXX00800X
			RESTRICTED TO: A
			SCALE: 2:1
			SHEET: 2 OF 2
			REV: A