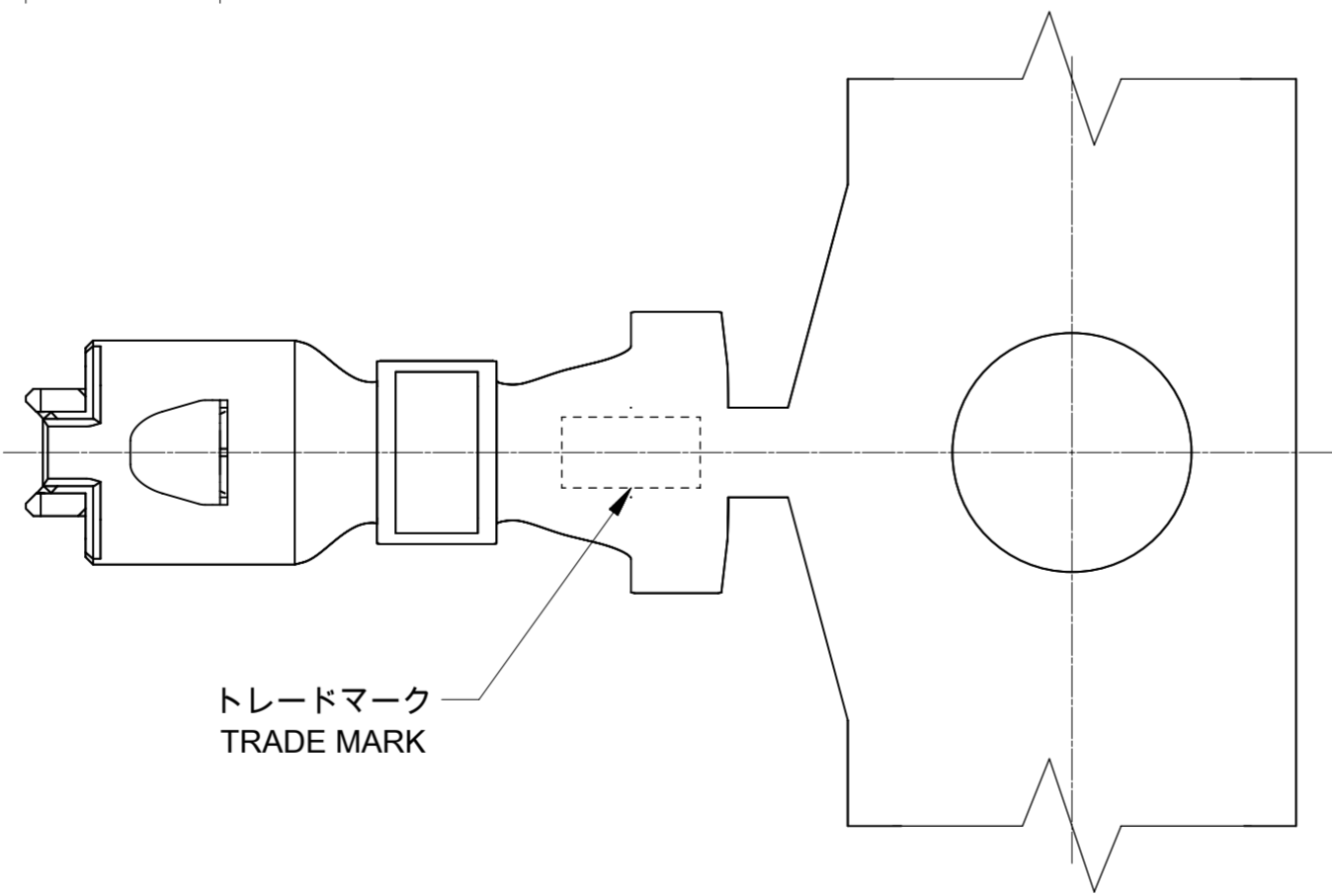


SECTION Z-Z

SECTION Y-Y



NOTES

- 1. 材料及び仕上げ（めっき仕様）：TABLE 1 参考  
MATERIAL AND FINISHES：SEE TABLE 1
- 2. 適用製品及び各種仕様書はSHEET 2をご参照ください。  
PLEASE REFER TO SHEET 2 FOR APPLICABLE PRODUCTS AND VARIOUS SPECIFICATIONS.
- 3. 本製品は錫めっき品です。金めっき品は593540000-SD/PSD/000をご参照ください。  
THIS PRODUCT IS A TIN PLATING.  
PLEASE REFER TO 593540000-SD/PSD/000 FOR GOLD PLATING.

Ø0.8 - Ø1.40	AWG#24-30	ポリ袋 POLY BAG	502128100	バラ状 LOOSE
		リール REEL	502128000	連鎖状 CHAIN
絶縁被覆外径範囲 INS RANGE	適用電線範囲 WIRE RANGE	梱包形態 PACKAGING	発注番号 ENG NO	端子形状 FORM

THIS DRAWING CONTAINS INFORMATION THAT IS PROPRIETARY TO MOLEX ELECTRONIC TECHNOLOGIES, LLC AND SHOULD NOT BE USED WITHOUT WRITTEN PERMISSION

DIMENSION UNITS	SCALE	CURRENT REV DESC: REDRAWN AND REVISED					
mm	NTS	<div style="text-align: center; font-size: 2em; font-weight: bold;">molex</div> <p>MICRO-LATCH 2.0 TIN RECEPTACLE CRIMP TERMINAL</p> <p>PRODUCT CUSTOMER DRAWING</p>					
GENERAL TOLERANCES (UNLESS SPECIFIED)							
ANGULAR TOL ± 3.0°							
4 PLACES ± 0.2	EC NO: 636761						
3 PLACES ± 0.2	DRWN: HHUSSIN 2019/09/20						
2 PLACES ± 0.2	CHK'D: SAKIYAMA 2020/04/30	APPR: KOMURAKAMI 2020/05/01		DOCUMENT NUMBER	DOC TYPE	DOC PART	REVISION
1 PLACE ± 0.2	INITIAL REVISION:	DRWN: HHUSSIN 2019/09/20		502120000-SD	PSD	000	A
0 PLACES ± 0.2	APPR: KOMURAKAMI 2020/05/01	MATERIAL NUMBER		CUSTOMER		SHEET NUMBER	
DRAFT WHERE APPLICABLE MUST REMAIN WITHIN DIMENSIONS	THIRD ANGLE PROJECTION	DRAWING	SERIES	GENERAL		1 OF 2	
		A2-SIZE	50212				

TABLE 1

部品 PART	材質 MATERIAL	
ターミナル TERMINAL	MATERIAL	リン青銅 PHOSPHOR BRONZE
	全面めっき OVERALL PLATING	錫めっき : 0.9 micro-meters MIN リフロー処理 (前めっき) REFLOW TREATMENT (PRE-PLATING)

△ 適用製品及び各種仕様書  
**APPLICABLE PRODUCTS AND VARIOUS SPECIFICATIONS**

梱包仕様書 PACKING SPECIFICATION	PART NUMBER		SPECIFICATION NUMBER			
	502128000/8100		SPK-50212-001			
適用ハウジング APPLICABLE HOUSING	SINGLE TYPE		SINGLE TYPE		SINGLE TYPE	
シリーズ番号 SERIES NO	51065 (MICRO-LATCH)		35507 (SHERLOCK)		502351 (DURACLICK)	
適用嵌合相手 MATE WITH	THROUGH HOLE		THROUGH HOLE		THROUGH HOLE	
	TIN PLATING		TIN PLATING		TIN PLATING	
	VERTICAL	RIGHT ANGLE	VERTICAL	RIGHT ANGLE	VERTICAL	RIGHT ANGLE
シリーズ番号 SERIES NO	53253	53254	35362	35363	560020	502352
製品仕様書 PRODUCT SPECIFICATION	510650000-PS/PS/000		PS-35507-003		PS-502351-001	

製品嵌合図は各"適用嵌合相手"図面参照のこと  
 MATING VIEW : REFER TO EACH "MATE WITH" PART DRAWING

THIS DRAWING CONTAINS INFORMATION THAT IS PROPRIETARY TO MOLEX ELECTRONIC TECHNOLOGIES, LLC AND SHOULD NOT BE USED WITHOUT WRITTEN PERMISSION										
DIMENSION UNITS	SCALE	CURRENT REV DESC: REDRAWN AND REVISED				<b>molex</b>				
mm	NTS									
GENERAL TOLERANCES (UNLESS SPECIFIED)		EC NO: 636761 DRWN: HHUSSIN 2019/09/20 CHK'D: SAKIYAMA 2020/04/30 APPR: KOMURAKAMI 2020/05/01 INITIAL REVISION: DRWN: HHUSSIN 2019/09/20 APPR: KOMURAKAMI 2020/05/01				MICRO-LATCH 2.0 TIN RECEPTACLE CRIMP TERMINAL				
ANGULAR TOL ± 3.0°						PRODUCT CUSTOMER DRAWING				
4 PLACES ± 0.2						DOCUMENT NUMBER		DOC TYPE	DOC PART	REVISION
3 PLACES ± 0.2						502120000-SD		PSD	000	A
2 PLACES ± 0.2						MATERIAL NUMBER		CUSTOMER		SHEET NUMBER
1 PLACE ± 0.2						50212		GENERAL		2 OF 2
0 PLACES ± 0.2		DRAWING		SERIES						
DRAFT WHERE APPLICABLE MUST REMAIN WITHIN DIMENSIONS		THIRD ANGLE PROJECTION	DRAWING	SERIES	MATERIAL NUMBER	CUSTOMER	SHEET NUMBER			
			A2-SIZE	50212						

DOCUMENT STATUS	P1	RELEASE DATE	2020/05/01	01:51:27
-----------------	----	--------------	------------	----------