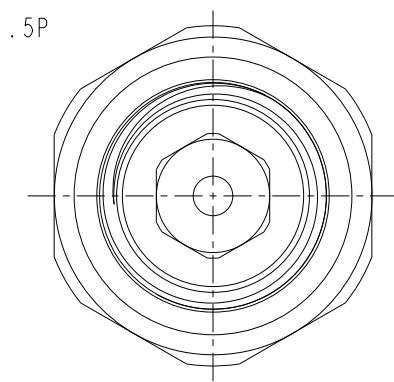
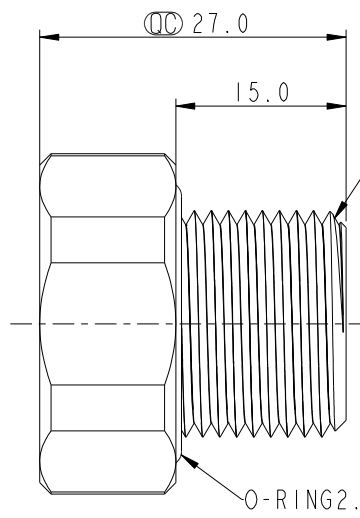
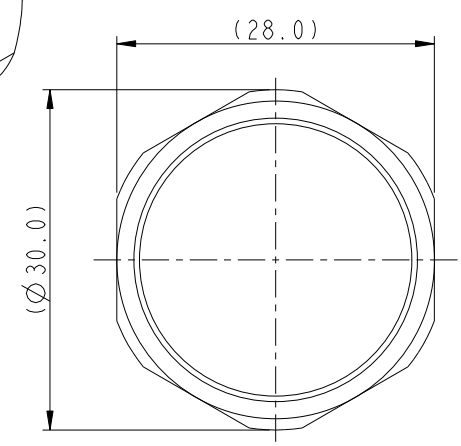
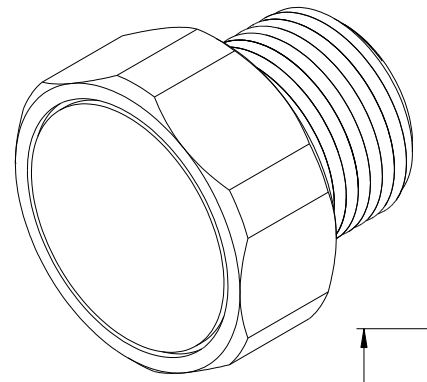


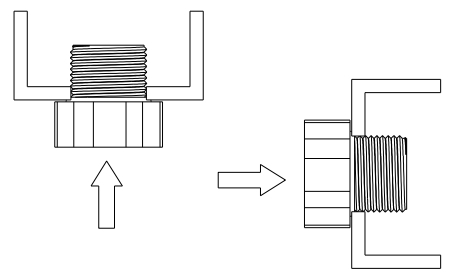
THIS DOCUMENT IS SUBJECT TO CHANGE WITHOUT NOTICE. IT IS CONFIDENTIAL AND A PROPERTY OF Amphenol LTW. DISCLOSURE TO THIRD PARTY HAS TO BE AUTHORIZED BY Amphenol LTW.

REV.	ECN NO.	DATE	SIGN	DESCRIPTION
A		2023-01-06	Kyle Huang	New Item

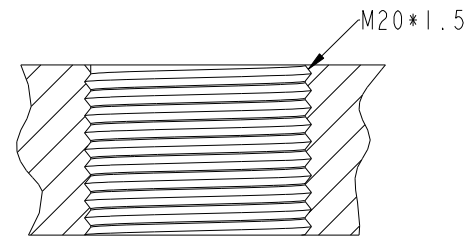


VENT-MS4NME-08002

S4: M20*1.5 — ME: Metallic



Recommended
installation orientation
建議安裝朝向



Recommended Panel Cut-Out
建議開孔尺寸

- Note:
- * (Ø) Important Dimension.
 - * Waterproof Rate: IP68(2m/1h), IP69K
 - * Body: Aluminum Alloy, Anodizing
 - * Cap: Aluminum Alloy, Anodizing
 - * Membrane: ePTFE
 - * O-Ring: Silicone, UL94V-0
 - * Air Permeability: >1400ml/min@70mbar
 - * Opening Pressure: 12±2KPa
 - * Recommended Torque: 3.0~5.0N.m

UNIT: mm		
TOLERANCE	.X ±0.25	
.XX ±0.1		
.XXX ±0.05		
ANGLES	±1°	

TITLE VENT, M20, METAL, SPRING LOADED			
SCALE 3:2	SIZE A4	SHEET 1 OF 1	
REV. A	WC-REV. .0	QC: Inspection item	

Amphenol LTW
安費諾亮泰企業股份有限公司

ITEM NO. VENT-MS4NME-08002	DRAWN BY Kyle Huang	DATE 2023-01-06
DWG NO. VENT-MS4NME-08002	CHECKED BY Fisher Wang	DATE 2023-01-06
CUSTOMER ALTW	APPROVED BY Max Yang	DATE 2023-01-06