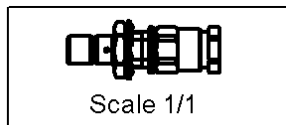
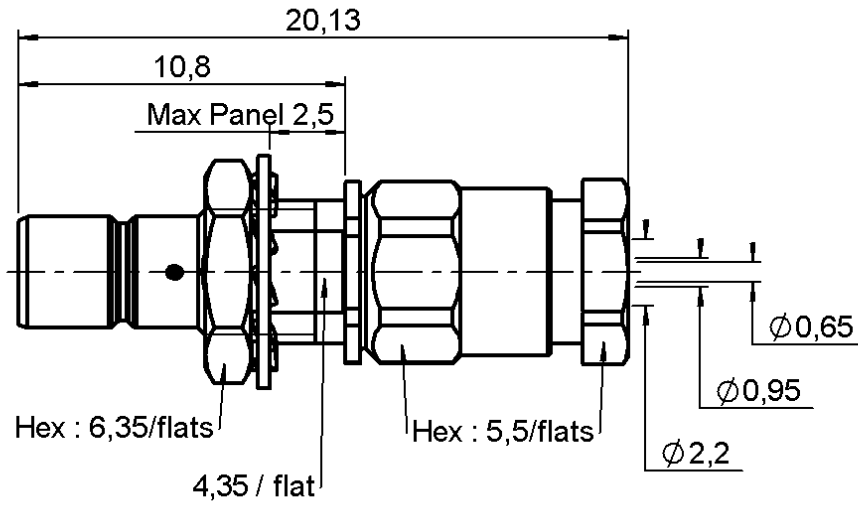


**STRAIGHT BULKHEAD JACK CLAMP TYPE**

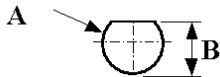
**R114.303.133**

**REAR MOUNT - CABLE 2/50 S**

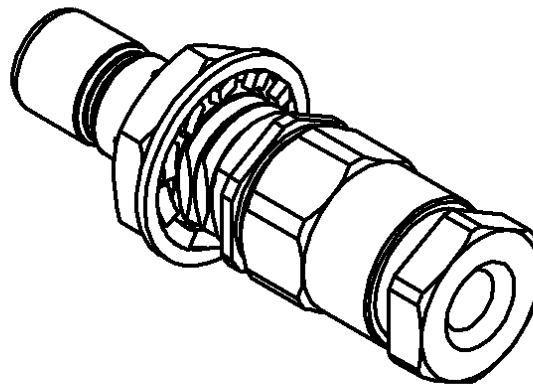
Series : SMB



**PANEL CUT OUT**



mm		
	Maxi	mini
A	5	4.9
B	4.55	4.45



All dimensions are in mm.

COMPONENTS	MATERIALS	PLATINGS (µm)
BODY	BRASS	GOLD 0.2 OVER NICKEL 2
CENTER CONTACT	BRASS	GOLD 1.3 OVER NICKEL 2
OUTER CONTACT	-	-
INSULATOR	PTFE	-
GASKET	-	-
OTHERS PARTS	BRASS	GOLD 0.2 OVER NICKEL 2
-	-	-
-	-	-

Issue : 0217 B

In the effort to improve our products, we reserve the right to make changes judged to be necessary.



**STRAIGHT BULKHEAD JACK CLAMP TYPE**

**R114.303.133**

**REAR MOUNT - CABLE 2/50 S**

Series : SMB

**PACKAGING**

Standard	Unit	Other
<b>100</b>	<b>'W' option</b>	<b>Contact us</b>

**SPECIFICATION**

**ELECTRICAL CHARACTERISTICS**

Impedance		<b>50</b> Ω
Frequency		<b>0-4</b> GHz
VSWR	<b>1.30</b> +	<b>0.040</b> x F(GHz) Maxi
Insertion loss		<b>0.25</b> √F(GHz) dB Maxi
RF leakage	- (	<b>57</b> - F(GHz)) dB mini
Voltage rating		<b>250</b> Veff Maxi
Dielectric withstanding voltage		<b>750</b> Veff mini
Insulation resistance		<b>1000</b> MΩ mini

**CABLE ASSEMBLY**

Stripping	a	b	c	d	e	f
mm	2.00	1.00	4.00	3.18	2.00	0.00

Assembly instruction :

Recommended cable(s)

RG 178  
KX 21  
RG 196  
RG 178 LC

Cable retention

- pull off **58** N mini  
- torque **NA** N.cm

**MECHANICAL CHARACTERISTICS**

Center contact retention		
Axial force – Mating end	<b>10</b>	N mini
Axial force – Opposite end	<b>10</b>	N mini
Torque	<b>NA</b>	N.cm mini

**TOOLING**

Part Number	Description	Hexagon
.	.	.
R282.317.010	TORQUEMETER WRENCH5.5 MM	5.5

Recommended torque		
Mating	<b>NA</b>	N.cm
Panel nut	<b>60</b>	N.cm
Clamp nut	<b>63</b>	N.cm
A/F clamp nut	<b>5.500</b>	mm

**OTHERS CHARACTERISTICS**

Mating life	<b>500</b>	Cycles mini
Weight	<b>2.700</b>	g

**ENVIRONMENTAL**

Operating temperature	<b>-65/+165</b>	° C
Hermetic seal	<b>NA</b>	Atm.cm3/s
Panel leakage	<b>NA</b>	

Issue : 0217 B

In the effort to improve our products, we reserve the right to make changes judged to be necessary.



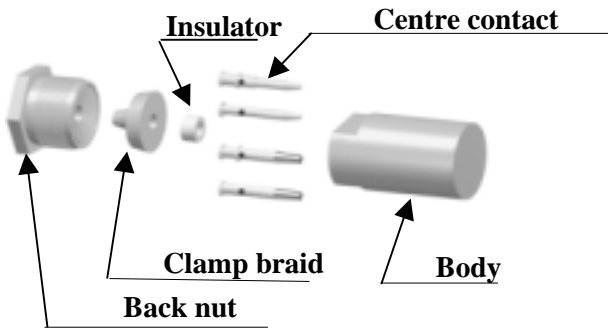
**STRAIGHT BULKHEAD JACK CLAMP TYPE**

**R114.303.133**

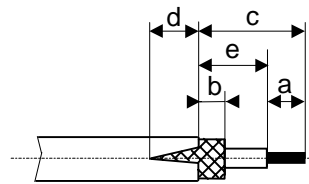
**REAR MOUNT - CABLE 2/50 S**

Series : SMB

**COMPONENTS**



**STRIPPING DIMENSIONS**



**1**

Slide the back nut onto the cable.  
Strip the cable.  
Cut 2 slots in the jacket if necessary.

**4**

Solder the centre contact onto the inner conductor.  
Slide the back nut over the cable assembly.

**2**

Slide the clamp braid sleeve between the cable dielectric and the braid.

**5**

Screw sub-assembly into the connector body with the adapted wrench.  
Recommended coupling torque ( see connector TDS ).

**3**

Cut the braid flush with the clamp braid sleeve.  
Slide the spacer onto the cable.  
Slide the centre contact on until it bottoms against the cable dielectric.

Issue : 0217 B

In the effort to improve our products, we reserve the right to make changes judged to be necessary.

