



UL Approved Illuminated Anti-Vandal Pushbutton – 19mm

Specifications

Electrical Ratings	3A @ 125VAC, 65°C, 50K cycles 3A @ 250VAC, 65°C, 50K cycles	Actuation Force	200 ±50gF SPDT 250 ±50gF DPDT
Sealing Degree	IP67	Actuation Travel	3.2 ± .25mm
Electrical Life	50,000 cycles typical	Dielectric Strength	2,000Vrms min between contacts
Mechanical Life	1,000,000 cycles typical momentary 500,000 cycles typical latching	Insulation Resistance	≥ 1,000MΩ min @ 500VDC
Contact Resistance	≤ 50mΩ initial	Operating Temperature	-20°C to 65°C
		Storage Temperature	-20°C to 65°C

Materials

Actuator	Stainless Steel, Anodized Aluminum
LED Lens	Polycarbonate (PC)
Threaded Body	Stainless Steel, Anodized Aluminum
Terminal Support	Polybutylene Terephthalate (PBT)
Inner Switch Body	Polybutylene Terephthalate (PBT)
Contacts	Silver plated Copper Alloy
Terminals	Silver plated Copper Alloy
Hardware	One Hex Nut & One "O" Ring Supplied

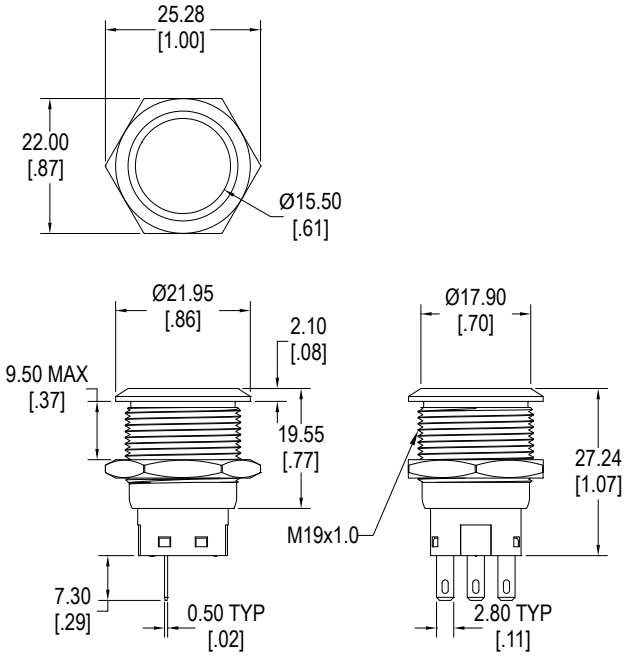
Ordering Information

1. Series	AHU	1	N	B	S	R	12
AHU							
2. Number of Poles							
1 = SPDT							
2 = DPDT							
3. Latching Option							
N = Momentary							
L = Latching							
4. Actuator Style:							
A = Flush actuator, non-illuminated							
B = Flush actuator, ring illuminated							
C = Flush actuator, dot illuminated							
K = Flush actuator, international standby symbol illuminated							
5. Switch Finish							
S = Stainless Steel							
B = Black Anodized Aluminum							
6. LED Color							
Z = No LED	G = Green						
R = Red	B = Blue						
Y = Yellow	W = White						
7. LED Voltage							
Z = No LED	110 = 110V						
6 = 6V	220 = 220V						
12 = 12V	N = No internal resistor in series with the LED						
24 = 24V							

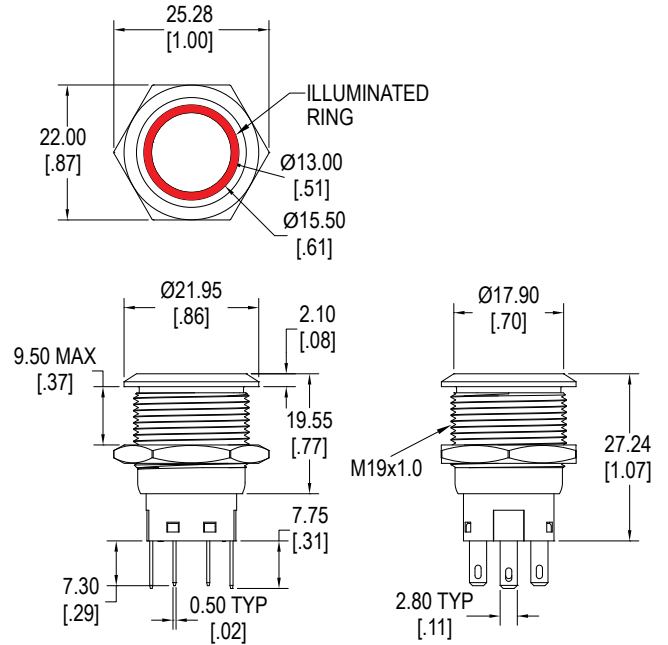
OPTIONAL Socket Housing available

Dimensions

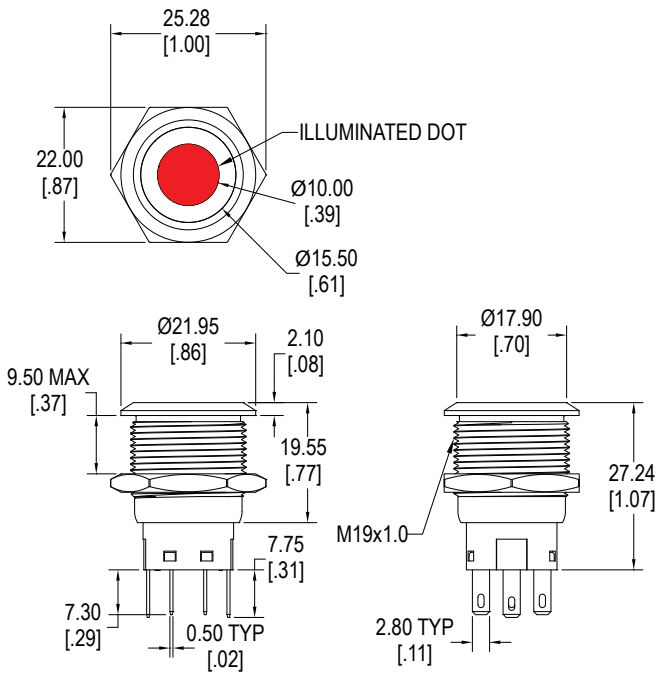
A Actuator



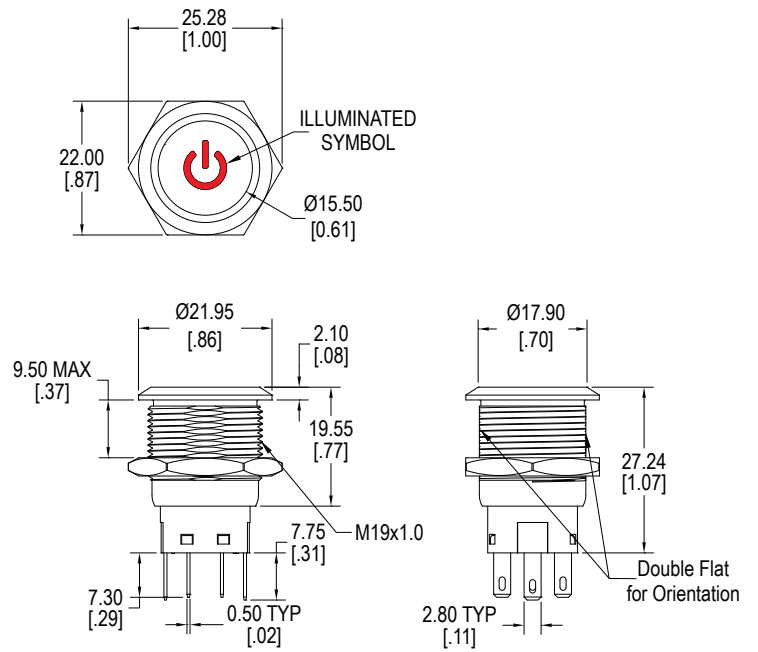
B Actuator



C Actuator

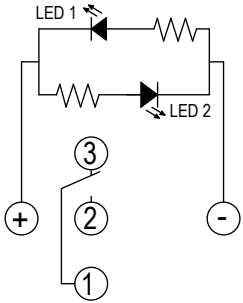


K Actuator

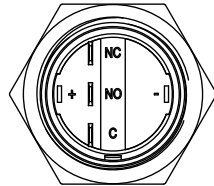


Schematics

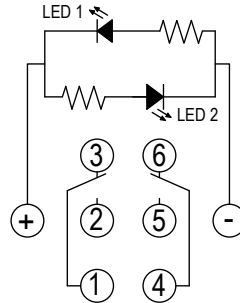
Single Pole



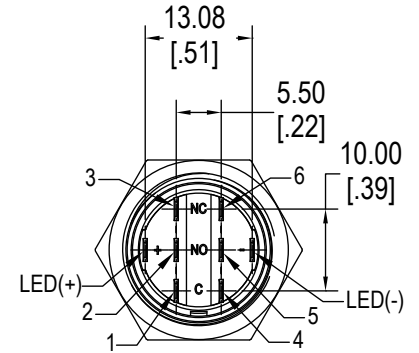
Bottom View



Double Pole

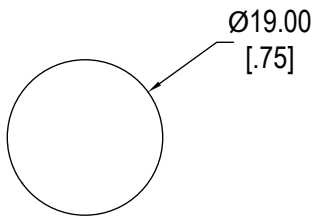


Bottom View

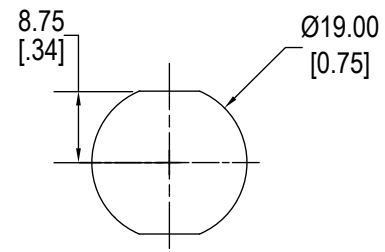


Panel Cut-Out

A, B, C Actuators

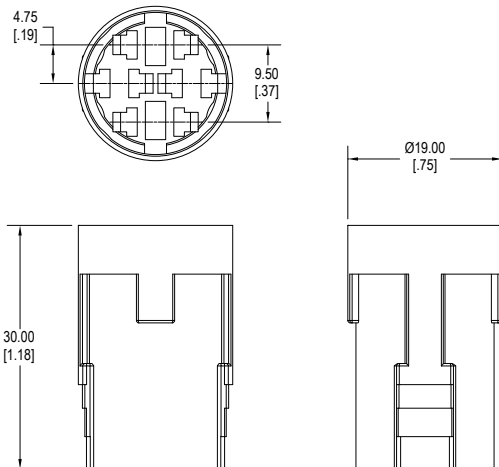


K Actuator



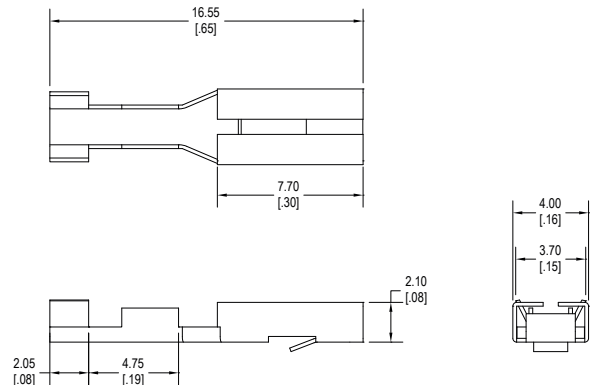
Optional Socket Housing

SS2002



SS Terminal

for use with wire size 18AWG to 24AWG



LED Characteristics

LED Ratings		Color					Units
		R	Y	G	B	W	
Reverse Voltage	V_R	5	5	5	5	5	V
Forward Current (peak)	I_{FS}	120	120	160	160	160	mA
Reverse Current $V_R = 5V$	I_R	10	10	10	10	10	μA
Power Dissipation	P_T	80	80	120	120	120	mW
Forward Voltage (typ) $I_F = 20mA$	V_F	2.1	2.1	3.3	3.3	3.0	V
Luminous Intensity, $I_F = 20mA$	LI	120	120	170	100	700	mcd

Custom Capabilities Contact Factory

Cable Assemblies



Shine Through Symbols



Custom Laser Etching



Custom Plastic Convex Actuators

