

P/N: 64501-0302

Copyright

© 2014, FLIR Systems, Inc.

All rights reserved worldwide. Names and marks appearing herein are either registered trademarks or trademarks of FLIR Systems and/or its subsidiaries. All other trademarks, trade names or company names referenced herein are used for identification only and are the property of their respective owners.

Document identity

Publ. No.: 64501-0302
 Release: -
 Commit: 15419
 Language: en-US
 Modified: 2014-06-19
 Formatted: 2014-06-22

Corporate Headquarters

FLIR Systems, Inc.
 27700 SW Parkway Ave.
 Wilsonville, OR 97070
 USA
 Telephone: +1-503-498-3547

Website

<http://www.flir.com>

Customer support

<http://support.flir.com>

Disclaimer

Specifications subject to change without further notice. Camera models and accessories subject to regional market considerations. License procedures may apply. Products described herein may be subject to US Export Regulations. Please refer to exportquestions@flir.com with any questions.



General description

The FLIR Exx-Series is a compact and rugged infrared camera that can be used in harsh environments while still providing you with the latest technology such as a modern touchscreen and wireless connectivity. The Exx-Series is the perfect choice when you are looking for a robust but feature-rich camera at an affordable price.

Benefits:

- Robust and sophisticated: The Exx-Series has a robust and light-weight design and can withstand a 2 meter drop. Big buttons combined with a modern touch screen and broad measuring capabilities, it is the right choice for demanding inspections in the field.
- Easy communication: The Wi-Fi connectivity of the FLIR Exx allows you to connect to smart phones and tablet PCs, for the wireless transfer of images or remote control of the camera. The Bluetooth-based MeterLink® function transfers readings from external measurement instruments to the infrared image.
- Best value for money: The FLIR Exx-Series combines good performance (up to 320 × 240 pixels), a user-friendly interface, and a rugged point-and-shoot design with an affordable price.

Imaging and optical data

| | |
|--------------------------|----------------------------------|
| IR resolution | 320 × 240 pixels |
| Thermal sensitivity/NETD | < 0.05°C @ +30°C (+86°F) / 50 mK |

P/N: 64501-0302

© 2014, FLIR Systems, Inc.

#64501-0302; r. -/15419; en-US

| Imaging and optical data | |
|------------------------------------|---------------------------------------------------------------------------------------|
| Field of view (FOV) | 25° × 19° |
| Minimum focus distance | 0.4 m (1.31 ft.) |
| Focal length | 18 mm (0.7 in.) |
| Spatial resolution (IFOV) | 1.36 mrad |
| F-number | 1.3 |
| Image frequency | 60 Hz |
| Focus | Manual |
| Digital zoom | 2× and 4× |
| Panning | Panning over zoomed-in images |
| Detector data | |
| Detector type | Focal plane array (FPA), uncooled microbolometer |
| Spectral range | 7.5–13 μm |
| Image presentation | |
| Display | Touch screen, 3.5 in. LCD, 320 × 240 pixels |
| Image adjustment | Auto or manual |
| Image presentation modes | |
| Image modes | IR image, visual image, MSX, picture in picture, thumbnail gallery |
| Picture in Picture | Scalable IR area on visual image |
| Measurement | |
| Object temperature range | –20°C to +120°C (–4°F to +248°F) 0°C to +650°C (+32°F to +1202°F) |
| Accuracy | ±2°C (±3.6°F) or ±2% of reading, for ambient temperature 10°C to 35°C (+50°F to 95°F) |
| Measurement analysis | |
| Spotmeter | 3 |
| Area | 3 boxes with max./min./average |
| Automatic hot/cold detection | Auto hot or cold spotmeter markers within area |
| Difference temperature | Delta temperature between measurement functions or reference temperature |
| Reference temperature | Manually set or captured from any measurement function |
| Emissivity correction | Variable from 0.01 to 1.0 or selected from materials list |
| External optics/windows correction | Automatic, based on inputs of optics/window transmission and temperature |
| Measurement corrections | Reflected temperature, optics transmission and atmospheric transmission |

P/N: 64501-0302

© 2014, FLIR Systems, Inc.

#64501-0302; r. -/15419; en-US

| Set-up | |
|------------------------------------|----------------------------------------------------------------------------------------------------------------------------------------------------------------------------------------------------------------------------|
| Color palettes | Arctic, Gray, Iron, Lava, Rainbow and Rainbow HC |
| Set-up commands | Local adaptation of units, language, date and time formats |
| Storage of images | |
| Image storage | Standard JPEG, including measurement data, on memory card |
| Image storage mode | Simultaneous storage of images in IR, visual and MSX |
| Image annotations | |
| Voice | 60 seconds (via Bluetooth) |
| Text | Text from predefined list or soft keyboard on touch screen |
| Meterlink | Wireless connection (Bluetooth®) to: FLIR meters with MeterLink |
| Report generation | <ul style="list-style-type: none"> FLIR Tools software specifically designed to provide an easy way to create inspection reports. It is available on the major platforms – Android, Windows, MacOS and iOS. |
| Video recording in camera | |
| Non-radiometric IR-video recording | MPEG-4 to memory card |
| Video streaming | |
| Radiometric IR-video streaming | Full dynamic to PC using USB |
| Non-radiometric IR-video streaming | Uncompressed colorized video using USB |
| Digital camera | |
| Built-in digital camera | 3.1 Mpixel (2048 × 1536 pixels), and one LED light |
| Digital camera, focus | Fixed focus |
| Built-in digital lens data | FOV 53° × 41° |
| Digital camera, aspect ratio | 4:3 |
| Laser pointer | |
| Laser | Activated by dedicated button |
| Laser alignment | Position is automatic displayed on the IR image |
| Laser classification | Class 2 |
| Laser type | Semiconductor AlGaInP diode laser |
| Laser power | 1 mW |
| Laser wavelength | 635 nm (red) |

P/N: 64501-0302

© 2014, FLIR Systems, Inc.

#64501-0302; r. -/15419; en-US

| Data communication interfaces | |
|-------------------------------|-----------------------------------------------------------------|
| Wi-Fi | Peer to peer (ad-hoc) or infrastructure (network) |
| SD Card | One card slot for removable SD memory cards |
| Audio | Microphone headset via Bluetooth for voice annotation of images |

| USB | |
|---------------------|---------------------------------------------------------------------------------------------------------------------------------------------------------------------------|
| USB | <ul style="list-style-type: none"> • USB-A: Connect external USB device • USB Mini-B: Data transfer to and from PC / Uncompressed colorized video |
| USB, standard | USB Mini-B: 2.0 |
| USB, connector type | <ul style="list-style-type: none"> • USB-A connector • USB Mini-B connector |

| Composite video | |
|-----------------------|-----------------------------------------|
| Video out | Composite |
| Video, standard | CVBS (ITU-R-BT.470 PAL/SMPTE 170M NTSC) |
| Video, connector type | 4-pole 3.5 mm jack |

| Radio | |
|-----------|------------------------------------------------------------------------------------|
| Wi-Fi | Standard: 802.11 b/g Frequency range: 2412–2462 MHz Max output power: 15 dBm |
| Bluetooth | Frequency range: 2402–2480 MHz |
| Antenna | Internal |

| Power system | |
|-------------------------------|----------------------------------------------------------------------|
| Battery type | Rechargeable Li Ion battery |
| Battery voltage | 3.7 V |
| Battery capacity | 4.4 Ah, at +20°C to +25°C (+68°F to +77°F) |
| Battery operating time | Approx. 4 hours at +25°C (+77°F) ambient temperature and typical use |
| Charging system | In camera (AC adapter or 12 V from a vehicle) or 2-bay charger |
| Charging time | 4 h to 90% capacity, charging status indicated by LED's |
| Charging temperature | 0°C to +45°C (+32°F to +113°F) |
| Power management | Automatic shutdown and sleep mode (user selectable) |
| AC operation | AC adapter, 90–260 VAC input, 12 V output to camera |
| Start-up time from sleep mode | Instant on |

| Environmental data | |
|----------------------------------|---------------------------------------------------------------------------------------|
| Operating temperature range | –15°C to +50°C (+5°F to +122°F) |
| Storage temperature range | –40°C to +70°C (–40°F to +158°F) |
| Humidity (operating and storage) | IEC 60068-2-30/24 h 95% relative humidity +25°C to +40°C (+77°F to +104°F) / 2 cycles |

P/N: 64501-0302

© 2014, FLIR Systems, Inc.

#64501-0302; r. -/15419; en-US

| Environmental data | |
|-----------------------------------------------------------------------------------------------------------------------------------------------------------------------------------------------------------------------------------------------------------------------------------------------------------------------------------------------------------------------------------------|--------------------------------------------------------------------------------------------------------------------------------------------------------------------------------------------------------------------------------------|
| EMC | <ul style="list-style-type: none"> ETSI EN 301 489-1 (radio) ETSI EN 301 489-17 EN 61000-6-2 (Immunity) EN 61000-6-3 (Emission) FCC 47 CFR Part 15 B (Emission) ICES-003 |
| Radio spectrum | <ul style="list-style-type: none"> ETSI EN 300 328 FCC Part 15.247 RSS-210 |
| Magnetic fields | EN 61 000-4-8, Test level 5 for continuous field (Severe industrial environment) |
| Encapsulation | IP 54 (IEC 60529) |
| Bump | 25 g (IEC 60068-2-29) |
| Vibration | 2 g (IEC 60068-2-6) |
| Safety | EN/UL/CSA/PSE 60950-1 |
| Physical data | |
| Camera weight, incl. battery | 0.880 kg (1.94 lb.) |
| Camera size (L x W x H) | 246 x 97 x 184 mm (9.7 x 3.8 x 7.2 in.) |
| Tripod mounting | UNC ¼"-20 (adapter needed) |
| Material | Polycarbonate + acrylonitrile butadiene styrene (PC-ABS) Thixomold magnesium Thermoplastic elastomer (TPE) |
| Color | Graphite gray and black |
| Shipping information | |
| <ul style="list-style-type: none"> Hard transport case Infrared camera with lens Battery (2 ea.) Battery charger FLIR Tools download card Handstrap Memory card Power supply, incl. multi-plugs Printed documentation USB cable User documentation CD-ROM Video cable | |
| Packaging, weight | 5.0 kg (11.02 lb.) |
| Packaging, size | 500 x 350 x 190 mm (19.7 x 13.8 x 7.5 in.) |
| EAN-13 | 4743254001152 |
| UPC-12 | 845188005184 |

Supplies & accessories:

- 1196961; IR lens, f = 30 mm, 15° incl. case
- 1196960; IR lens, f = 10 mm, 45° incl. case
- T910814; Power supply, incl. multi plugs
- T911230ACC; Memory card SDHC 4 GB
- 1910423; USB cable Std A <-> Mini-B

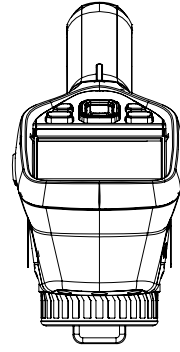
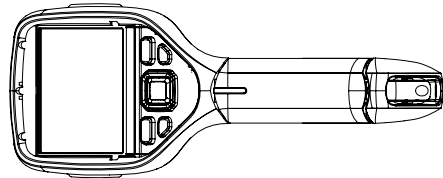
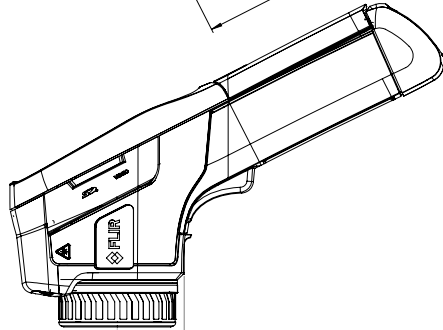
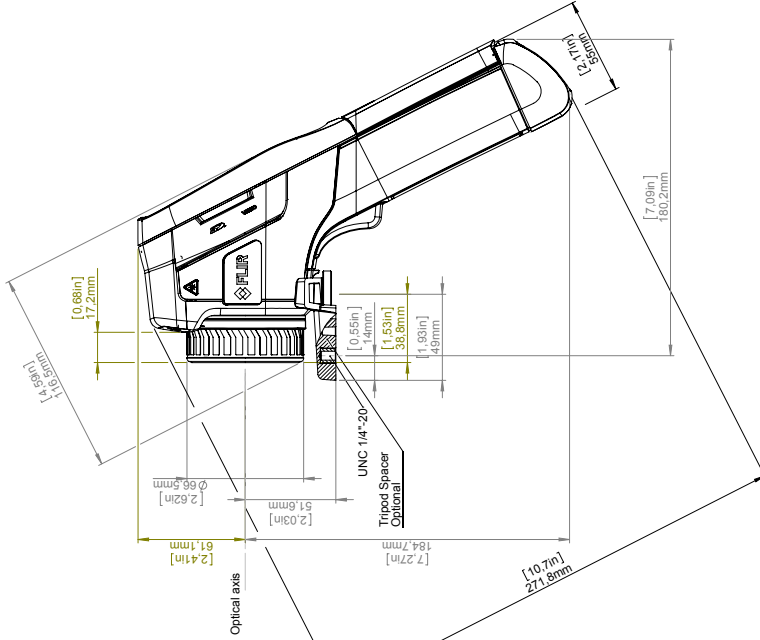
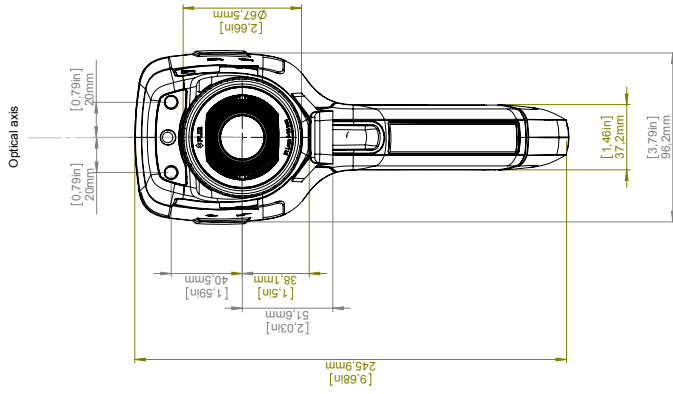
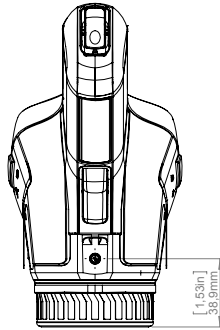
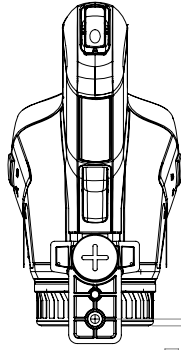
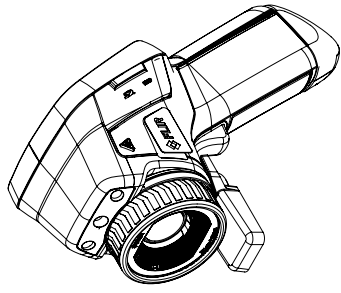
P/N: 64501-0302

© 2014, FLIR Systems, Inc.

#64501-0302; r. -/15419; en-US

- T198509; Cigarette lighter adapter kit, 12 VDC, 1.2 m/3.9 ft.
- 1910582ACC; Video cable
- T197771ACC; Bluetooth Headset
- T910972; EX845: Clamp meter + IR therm TRMS 1000A AC/DC
- T910973; MO297: Moisture meter, pinless with memory
- T911093; Tool belt
- T198125; Battery charger, incl. power supply with multi plugs Exx
- T198113; IR lens, 76 mm (6°) with case and mounting support for Exx
- T198487; Li-Ion Battery pack 3.7V 17Wh
- T198484; Pouch for FLIR Exx series
- T198486; Tripod Adapter
- T198485; Sun shield
- T198341ACC; Transport case Exx
- T198586; FLIR Reporter Professional (license only)
- T198584; FLIR Tools
- T198583; FLIR Tools+ (license only)
- DSW-10000; FLIR IR Camera Player
- APP-10002; FLIR Tools Mobile (Android Application)
- APP-10004; FLIR Tools (MacOS Application)
- T127597L5; FLIR ResearchIR 3 (license only), 5 user licenses
- T127597L10; FLIR ResearchIR 3 (license only), 10 user licenses
- T127598L5; FLIR ResearchIR 3 Max (license only), 5 user licenses
- T127598L10; FLIR ResearchIR 3 Max (license only), 10 user licenses
- T198696; FLIR ResearchIR Max 4
- T198697; FLIR ResearchIR Max + HSDR 4
- T198579; FLIR ResearchIR 3 (CD)
- T198578; FLIR ResearchIR 3 (license only)
- T198575; FLIR ResearchIR 3 Max (CD)
- T198574; FLIR ResearchIR 3 Max (license only)
- T198292; Upgrade previous version to FLIR ResearchIR 3
- T198291; Upgrade previous version to FLIR ResearchIR 3 Max
- T198290; Upgrade FLIR ResearchIR 3 to FLIR ResearchIR 3 Max

Camera with built-in IR lens f=18 mm (25°)

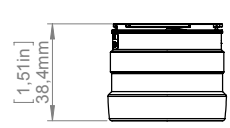
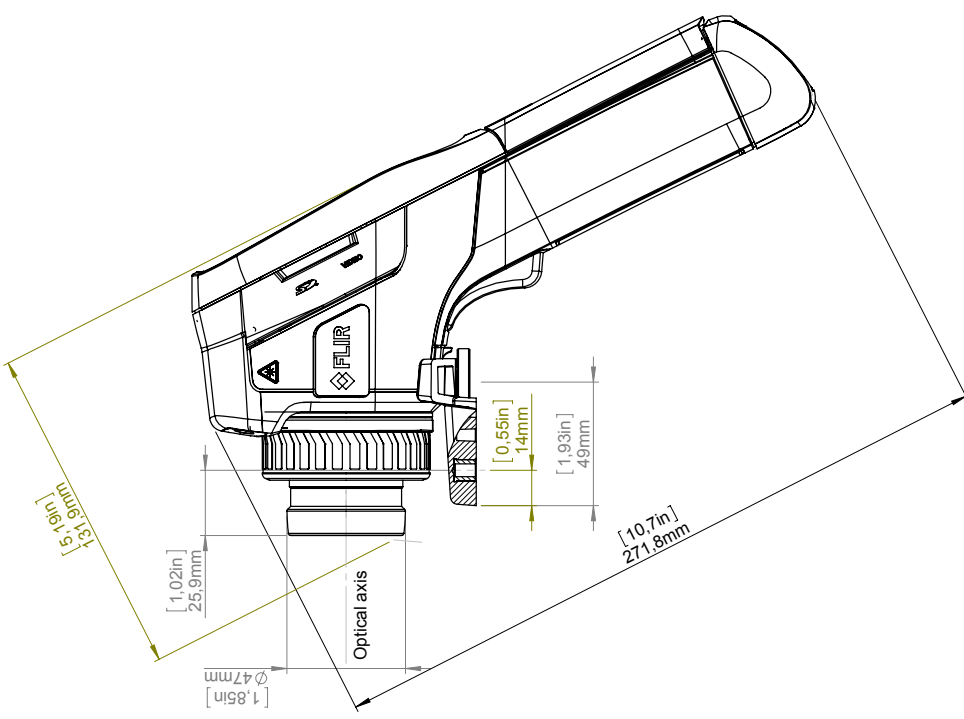
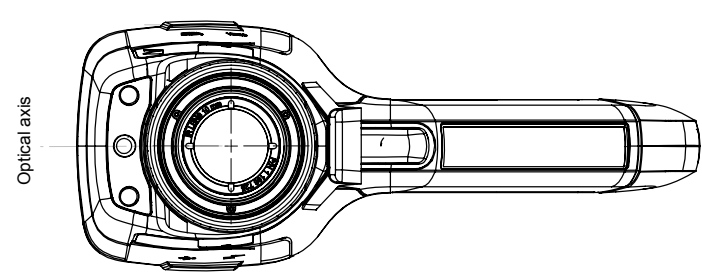
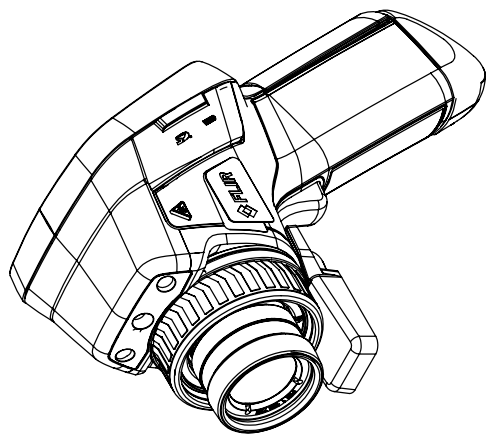


FLIR
 Model: 2013-04-18
 Check: CAHA
 Drawn by: R&D Thermography
 Sheet: A3
 Scale: 1:2
 Sheet Size: 1(4)
 Drawing No.: T127869

Basic dimensions Flir Exx series

© 2012 FLIR Systems, Inc. All rights reserved worldwide. No part of this drawing may be reproduced, stored in a retrieval system, or transmitted in any form, or by any means, electronic, mechanical, photocopying, recording, or otherwise, without written permission from FLIR Systems, Inc. Specifications subject to change without further notice. Dimensional data is based on nominal values. Products may be subject to regional market considerations. License procedures may apply. Product may be subject to US Export regulations. Please refer to exportcontrols@flir.com with any questions. Division authority to US law is provided.

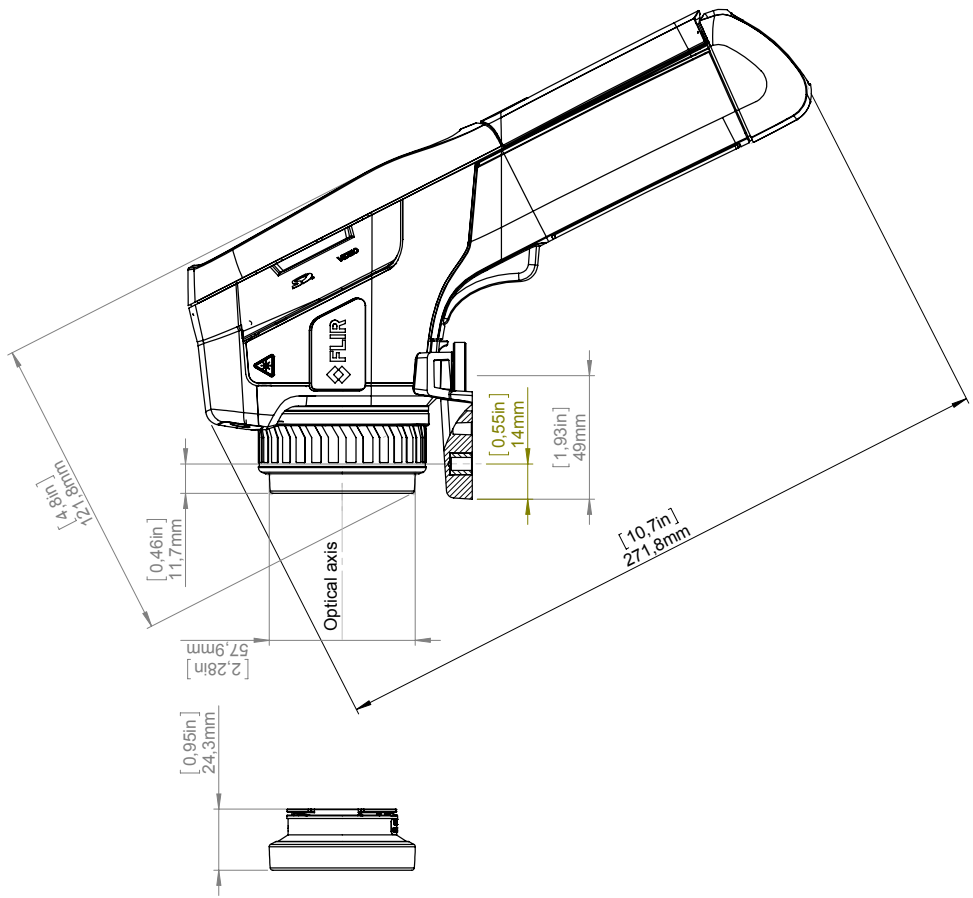
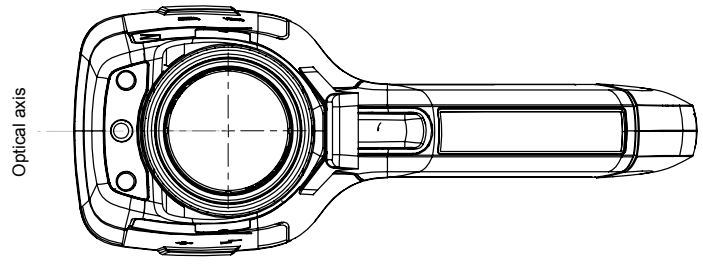
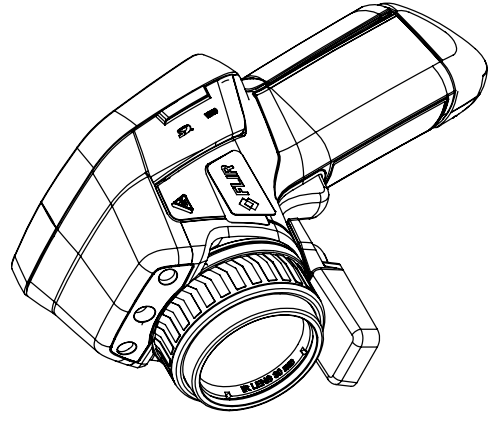
Camera with Lens IR f=10 mm (45°)



© 2012, FLIR Systems, Inc. All rights reserved worldwide. No part of this drawing may be reproduced, stored in a retrieval system, or transmitted in any form, or by any means, electronic, mechanical, photocopying, recording, or otherwise, without written permission from FLIR Systems, Inc. Specifications subject to change without further notice. Dimensional data is based on nominal values. Products may be subject to regional market considerations. License procedures may apply. Product may be subject to US Export Regulations. Please refer to exportquestions@flir.com with any questions. Diversion contrary to US law is prohibited.

| | | | | | |
|----------------------------------|-------|------------------|-------|--------------------------------------|------|
| Modified | Check | Drawn by | Size | For additional dimensions see page 1 | |
| 2013-04-18 | CAHA | R&D Thermography | A3 | FLIR | |
| Denomination | | | Scale | Sheet | Size |
| | | | 1:2 | 2(4) | A |
| Basic dimensions Flir Exx series | | | | Drawing No. | |
| | | | | T1127869 | |

Camera with Lens IR f=30 mm (15°)



For additional dimensions see page 1

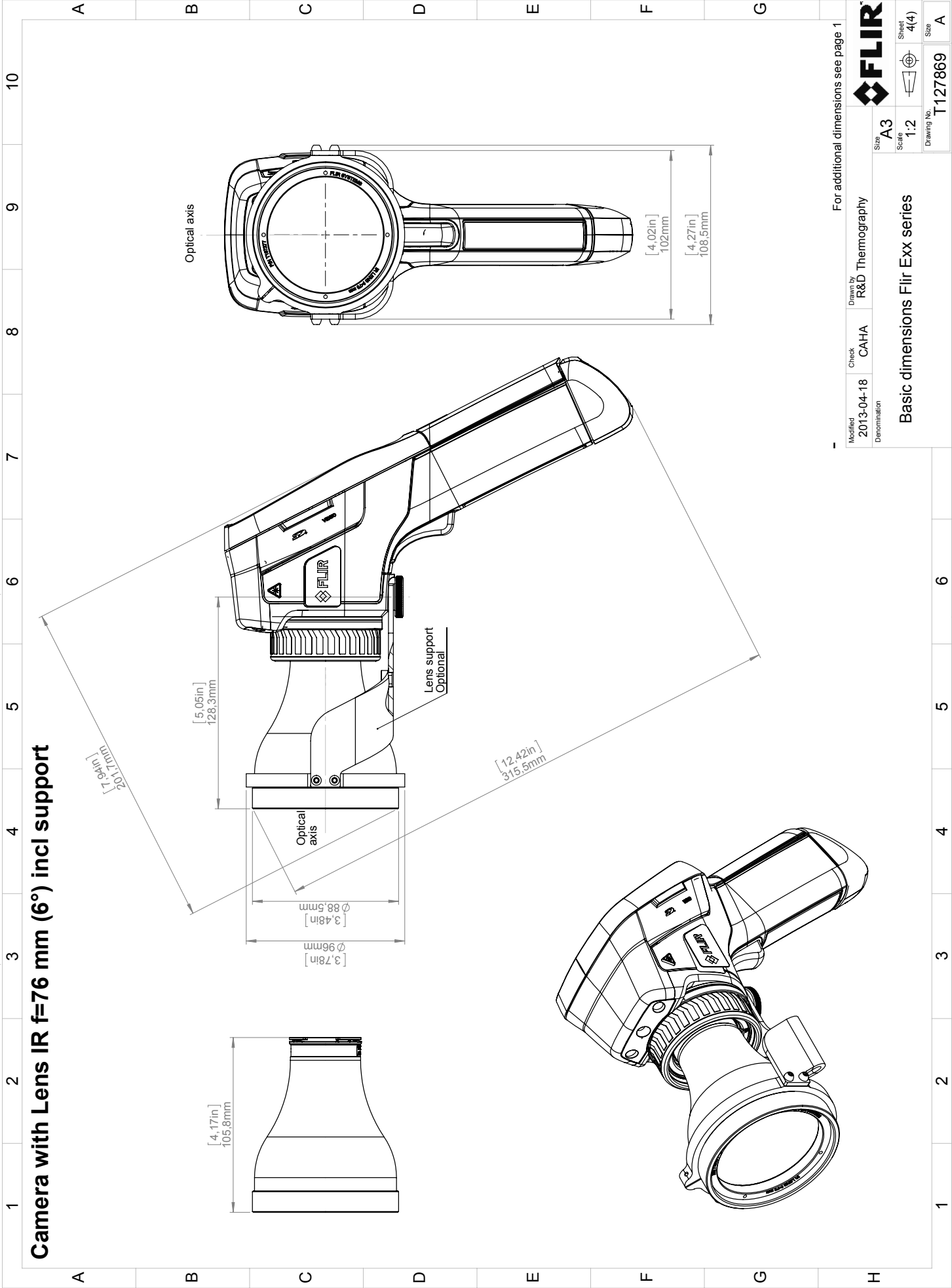
| | | | |
|--------------------------------------------------|---------------|------------------------------|------------------------|
| Modified 2013-04-18 | Check CAHA | Drawn by R&D Thermography | Size A3 |
| Denomination Basic dimensions Flir Exx series | | | Sheet 3(4) |
| | | | Scale 1:2 |
| | | | Drawing No. T127869 |
| | | | Size A |



© 2012, FLIR Systems, Inc. All rights reserved worldwide. No part of this drawing may be reproduced, stored in a retrieval system, or transmitted in any form, or by any means, electronic, mechanical, photocopying, recording, or otherwise, without written permission from FLIR Systems, Inc. Specifications subject to change without further notice. Dimensional data is based on nominal values. Products may be subject to regional market considerations. License procedures may apply. Product may be subject to US Export Regulations. Please refer to exportquestions@flir.com with any questions. Diversion contrary to US law is prohibited.

Camera with Lens IR f=76 mm (6°) incl support

© 2012, FLIR Systems, Inc. All rights reserved worldwide. No part of this drawing may be reproduced, stored in a retrieval system, or transmitted in any form, or by any means, electronic, mechanical, photocopying, recording, or otherwise, without written permission from FLIR Systems, Inc. Specifications subject to change without further notice. Dimensional data is based on nominal values. Products may be subject to regional market considerations. License procedures may apply. Product may be subject to US Export Regulations. Please refer to exportquestions@flir.com with any questions. Diversion contrary to US law is prohibited.



| | | | | | |
|----------------------------------------|---------------|------------------------------|--------------|------------------------|-----------|
| Modified 2013-04-18 Denomination | Check CAHA | Drawn by R&D Thermography | Size A3 | Sheet 4(4) | Size A |
| Basic dimensions Flir Exx series | | | Scale 1:2 | Drawing No. T127869 | |

For additional dimensions see page 1

