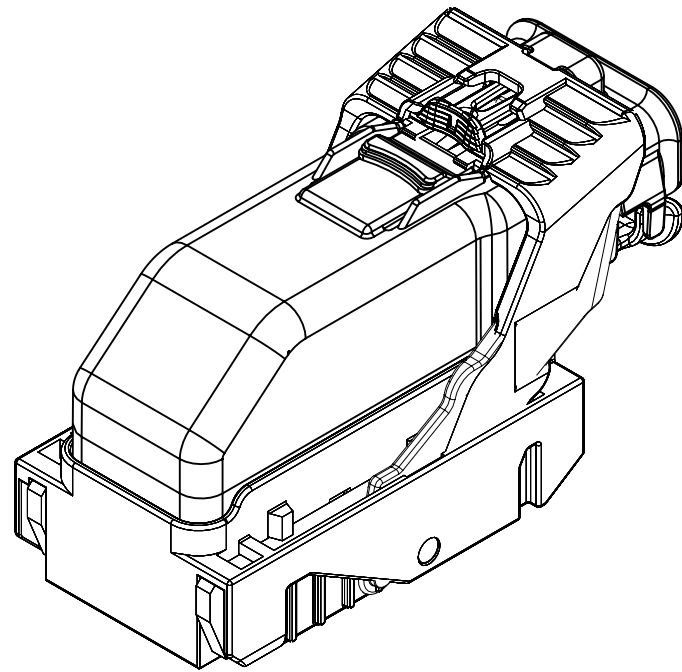

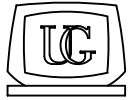


INDEX	
PAGE TITLE	PAGE
TITLE BLOCK	1
REVISION BLOCK	2
PART BLOCK	3
KPC BLOCK	4
COMPONENT TABLE	5
NOTES	6
NOTES	7
WIRE DRESS PACKAGING DIMENSIONS	8
LOCATION AND PACKAGING DIMENSIONS REFERENCING INTERFACE DATUMS B & C	9
LOCATION AND PACKAGING DIMENSIONS REFERENCING INTERFACE DATUM A	10
KEY ID REF - WIRE DRESS OPTION 0	11
KEY ID REF - WIRE DRESS OPTION 9	12
CIRCUIT CONFIGURATIONS	13
CIRCUIT CONFIGURATIONS	14
COMPONENT CONNECTOR INTERFACE	15
COMPONENT CONNECTOR INTERFACE	16
COMPONENT CONNECTOR INTERFACE	17
COMPONENT CONNECTOR INTERFACE	18
COMPONENT CONNECTOR INTERFACE	19
COMPONENT CONNECTOR INTERFACE	20
COMPONENT CONNECTOR INTERFACE	21



ISO VIEW

	<p><b>UNLESS OTHERWISE SPECIFIED:</b> THIS DOCUMENT IS IN ACCORDANCE WITH ASME Y14.5M-1994 AS AMMENDED BY THE GM GLOBAL DIMENSIONING AND TOLERANCING ADDENDUM-1997. ALL GEOMETRIC TOLERANCES AND RELATED DATUMS APPLY RFS. RULE #1 (PERFECT FORM AT MMC) DOES NOT APPLY WHEN A RELATIONSHIP BETWEEN FEATURES IS ESTABLISHED BY ORIENTATION OR LOCATION TOLERANCES. SEPARATE POSITION CALLOUTS MAY BE GAGED SEPARATELY REGARDLESS OF DATUM REFERENCES.</p>			DATE
	 CHANGE RESTRICTED NO MANUAL CHANGES	REFERENCE 12H (MOLEX AUTOMOTIVE)	DRAFTER J SZYMKOWSKI APVD1 D PFAFFINGER APVD2 B BURT APVD3 APVD4 APVD5	22DE05 22DE05 22DE05    
DO NOT SCALE	DRAWING NAME			
METRIC DIMENSIONS SHOWN IN MILLIMETERS UNLESS OTHERWISE SPECIFIED	HARNES CONN ASM 66/73/80 CKTS			
	DRAWING NUMBER  12642695	DWG STATUS		PAGE NUMBER  1 OF 21
		ST	REV	
		R	002	

PAGE	DWG STATUS					REVISION HISTORY	AUTH	DR	CK	ENG
	DATE	ST	REV	CHG	PDI					
	19DE11	R	001			RELEASED TO PRODUCTION AT DLS A	CRMRJB	SC	MRO	GF
3	08MY15	R	002	A		REORDERED PART BLOCK AND ADDED MASS CORRECTED P/N TYPO FROM 12562676 TO 12582676				
3, 5		R	002	B		ADDED 12659312, 12659313, 12653574 AND 12653575				
6		R	002	C		REMOVED NOTE 1 . D . 3 . C				
20		R	002	D		DIM 125 WAS 3.25 DIM 131 WAS 5.5	CRMRJD	DFK	MRO	GF

PAGE	DWG STATUS					REVISION HISTORY	AUTH	DR	CK	ENG
	DATE	ST	REV	CHG	PDI					



KEY PRODUCT CHARACTERISTICS  
(IN ACCORDANCE WITH QN 1805 OR ON 1050)



SAFETY/COMPLIANCE

TOTAL ON  
DRAWING

5



FIT/FUNCTION

LAST NO.  
USED

5

NO	TYPE	DESCRIPTION	RATIONALE	PAGE/ZONE
1	F/F	32.68	IMPROVE CONNECTOR SYSTEM MATING	15
2	F/F	29.00	INSURE PROPER RELEASE OF LEVER	15
3	F/F	15.25	INSURE FINAL MATE POSITION	16
5	F/F	POSITIONAL TOLERANCE (2 PLACES)	INSURE CONNECTOR SYSTEM MATEABILITY	19



PAGE TITLE  
KPC BLOCK

DRAWING NUMBER

12642695

DWG STATUS

ST	REV	PDI
----	-----	-----

R	002	
---	-----	--

PAGE NUMBER


4 OF 21



LINE	MFG.	MFG. P/N	GM P/N	EFFECTIVE DATE	APPLICABLE COMPONENTS	KEY OPTION	WIRE DRESS OPTION	KEY CONFIG.	COLOR	STATUS
					DESCRIPTION					
-										
1	MOLEX	34565-0003	12582676	02JN03	MX123 DRESS COVER 66/73/80 CKT	N/A	N/A	N/A	BLACK	AVAILABLE
2	MOLEX	34822-0013	12642692	01SP13	MX123 HRNS CONN ASSY 66 CKT	A	0	1458	BLACK	AVAILABLE
3	MOLEX	34822-0033	12659312	01SP13	MX123 HRNS CONN ASSY 66 CKT	C	0	2467	BLUE	AVAILABLE
4	MOLEX	34822-0023	12642693	01SP13	MX123 HRNS CONN ASSY 66 CKT	A	9	1458	BLACK	AVAILABLE
5	MOLEX	34822-0043	12659313	01SP13	MX123 HRNS CONN ASSY 66 CKT	C	9	2467	BLUE	AVAILABLE
6	MOLEX	34566-0103	12582677	11JN04	MX123 HRNS CONN ASSY 73 CKT	A	0	1458	BLACK	AVAILABLE
7	MOLEX	34566-0203	12582678	11JN04	MX123 HRNS CONN ASSY 73 CKT	B	0	1468	ST GRAY	AVAILABLE
8	MOLEX	34566-0303	12615654	09AP08	MX123 HRNS CONN ASSY 73 CKT	C	0	2467	BLUE	AVAILABLE
9	MOLEX	34566-0403	12647268	T.B.D	MX123 HRNS CONN ASSY 73 CKT	D	0	2367	BROWN	NOT ACTIVE
10	MOLEX	34566-0503	AMJ28633	T.B.D	MX123 HRNS CONN ASSY 73 CKT	E	0	2468	GREEN	NOT ACTIVE
11	MOLEX	34566-0603	12653574	05DC14	MX123 HRNS CONN ASSY 73 CKT	F	0	1357	NATURAL	AVAILABLE
12	MOLEX	34566-0703	12588057	09AP08	MX123 HRNS CONN ASSY 80 CKT	G	0	1358	BLUE	AVAILABLE
13	MOLEX	34566-0803	12588058	11JN04	MX123 HRNS CONN ASSY 80 CKT	H	0	2458	ST GRAY	AVAILABLE
14	MOLEX	34566-0903	12615656	T.B.D	MX123 HRNS CONN ASSY 80 CKT	J	0	2457	BLACK	NOT ACTIVE
15	MOLEX	34566-1003	AMJ28595	T.B.D	MX123 HRNS CONN ASSY 80 CKT	K	0	2357	BROWN	NOT ACTIVE
16	MOLEX	34566-1103	AMJ29057	T.B.D	MX123 HRNS CONN ASSY 80 CKT	L	0	2368	GREEN	NOT ACTIVE
17	MOLEX	34566-1203	AMJ28669	T.B.D	MX123 HRNS CONN ASSY 80 CKT	M	0	2358	NATURAL	NOT ACTIVE
18	MOLEX	34566-1303	12603596	11JN04	MX123 HRNS CONN ASSY 73 CKT	A	9	1458	BLACK	AVAILABLE
19	MOLEX	34566-1403	12603597	11JN04	MX123 HRNS CONN ASSY 73 CKT	B	9	1468	ST GRAY	AVAILABLE
20	MOLEX	34566-1503	12615655	09AP08	MX123 HRNS CONN ASSY 73 CKT	C	9	2467	BLUE	AVAILABLE
21	MOLEX	34566-1603	12647269	T.B.D	MX123 HRNS CONN ASSY 73 CKT	D	9	2367	BROWN	NOT ACTIVE
22	MOLEX	34566-1703	AMJ28698	T.B.D	MX123 HRNS CONN ASSY 73 CKT	E	9	2468	GREEN	NOT ACTIVE
23	MOLEX	34566-1803	12653575	05DC14	MX123 HRNS CONN ASSY 73 CKT	F	9	1357	NATURAL	AVAILABLE
24	MOLEX	34566-1903	12603598	09AP08	MX123 HRNS CONN ASSY 80 CKT	G	9	1358	BLUE	AVAILABLE
25	MOLEX	34566-2003	12603599	11JN04	MX123 HRNS CONN ASSY 80 CKT	H	9	2458	ST GRAY	AVAILABLE
26	MOLEX	34566-2103	12615657	T.B.D	MX123 HRNS CONN ASSY 80 CKT	J	9	2457	BLACK	NOT ACTIVE
27	MOLEX	34566-2203	AMJ29117	T.B.D	MX123 HRNS CONN ASSY 80 CKT	K	9	2357	BROWN	NOT ACTIVE
28	MOLEX	34566-2303	AMJ29136	T.B.D	MX123 HRNS CONN ASSY 80 CKT	L	9	2368	GREEN	NOT ACTIVE
29	MOLEX	34566-2403	AMJ29214	T.B.D	MX123 HRNS CONN ASSY 80 CKT	M	9	2358	NATURAL	NOT ACTIVE
30	MOLEX	34736-2002	12642697	01AU10	MX64 RCPT TERM Ag 18/20 GAGE B (RIGHT PAYOFF)	N/A	N/A	N/A	N/A	AVAILABLE
31	MOLEX	34736-2001	12642696	01AU10	MX64 RCPT TERM Ag 22 GAGE B (RIGHT PAYOFF)	N/A	N/A	N/A	N/A	AVAILABLE
32	MOLEX	34586-0001	T.B.D.	11JN04	MX123 0.64MM GROMMET PLUG	N/A	N/A	N/A	NATURAL	AVAILABLE
33	YAZAKI	7116-4150-02	12588066	02JN03	2.8mm YESC SEALED FEMALE TERMINAL TIN 20/22 GAGE (CABLE RANGE 0.30mm-0.60mm)	N/A	N/A	N/A	N/A	NOT ACTIVE
34	YAZAKI	7116-4151-02	12588067	02JN03	2.8mm YESC SEALED FEMALE TERMINAL TIN 16/18 GAGE (CABLE RANGE 0.75mm-1.40mm)	N/A	N/A	N/A	N/A	NOT ACTIVE
35	YAZAKI	7116-4152-02	12582685	02JN03	2.8mm YESC SEALED FEMALE TERMINAL TIN 14 GAGE (CABLE RANGE 1.50mm-2.50mm)	N/A	N/A	N/A	N/A	AVAILABLE
36	YAZAKI	7158-3111-60	12588068	02JN03	2.8mm CABLE SEAL (wire O.D. range 1.20mm-1.90mm)	N/A	N/A	N/A	GREEN	NOT ACTIVE
37	YAZAKI	7158-3112-70	12588069	02JN03	2.8mm CABLE SEAL (wire O.D. range 1.80mm-2.30mm)	N/A	N/A	N/A	YELLOW	NOT ACTIVE
38	YAZAKI	7158-3113-40	12582686	02JN03	2.8mm CABLE SEAL (wire O.D. range 2.18mm-3.00mm)	N/A	N/A	N/A	WHITE	AVAILABLE
39	YAZAKI	7158-3114-90	T.B.D	02JN03	2.8mm YESC CAVITY PLUG	N/A	N/A	N/A	BLUE	AVAILABLE
40	MOLEX	63811-4200	XX019825	02JN03	MX64 TERM HAND CRIMP TOOL	N/A	N/A	N/A	N/A	AVAILABLE
41	MOLEX	63813-1400	XX019826	02JN03	MX64 TERM SERVICE TOOL	N/A	N/A	N/A	N/A	AVAILABLE
42	MOLEX	63865-8000	XX019827	02JN03	MX64 CRIMP APPLICATOR with TOOL KIT 18/20 GAGE PAYOFF DIRECTION D (left payoff) (contact Molex for payoff detail)	N/A	N/A	N/A	N/A	AVAILABLE
43	MOLEX	63865-8070	XX019828	02JN03	MX64 APPLICATOR TOOL KIT 18/20 GAGE	N/A	N/A	N/A	N/A	AVAILABLE
44	MOLEX	63865-8100	XX019829	02JN03	MX64 CRIMP APPLICATOR with TOOL KIT 22 GAGE PAYOFF DIRECTION D (left payoff) (contact Molex for payoff detail)	N/A	N/A	N/A	N/A	AVAILABLE
45	MOLEX	63865-8170	XX019830	02JN03	MX64 APPLICATOR TOOL KIT 22 GAGE	N/A	N/A	N/A	N/A	AVAILABLE
46	SPX	J35616-64	T.B.D.	02JN03	0.64mm PROBE TOOL (for rcpt)	N/A	N/A	N/A	N/A	AVAILABLE
47	SPX	J35616-64A	T.B.D.	02JN03	0.64mm PROBE TOOL WITH EXT (for rcpt)	N/A	N/A	N/A	N/A	AVAILABLE
48	SPX	J35616-65	T.B.D.	02JN03	0.64mm PROBE TOOL WITH EXT (for pin)	N/A	N/A	N/A	N/A	AVAILABLE
49	SPX	J35616-4A	T.B.D.	02JN03	2.8mm PROBE TOOL (for rcpt)	N/A	N/A	N/A	N/A	AVAILABLE
50	YAZAKI	X39899-J374	12094430	02JN03	2.8mm TERM SERVICE TOOL	N/A	N/A	N/A	N/A	AVAILABLE

002B

\* - MX123 DRESS COVER 73/80/66 CKT MATES TO ANY MX123 HARN CONN ASSY SHOWN ON TABLE ABOVE

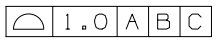
	PAGE TITLE	DRAWING NUMBER	DWG STATUS			PAGE NUMBER	
	COMPONENT TABLE		12642695	ST	REV		PDI
				R	002		

NOTES: UNLESS OTHERWISE SPECIFIED

1. MATERIAL FOR INTERFACE:

- A. RESIN:
  - 1. 30% G.F. PBT; 20% MAX. (BY WEIGHT) REGRIND.
  - 2. MATING CONNECTOR INTERFACE PART COLOR MUST BE SAME AS MATCHING KEYED HARNESS CONNECTOR ASSEMBLY.
  - 3. MUST BE VALIDATED FOR INDIVIDUAL DEVICE APPLICATION REQUIREMENTS.
- B. 0.64MM PINS:
  - 1. BASE MATERIAL: COPPER ALLOY; CONDUCTIVITY >= 28% IACS AT 20°C; TENSILE STRENGTH >= 635 N/mm<sup>2</sup>; SURFACE ROUGHNESS R<sub>a</sub> 6 MAX.
  - 2. PLATING FINISH: SILVER (Ag). PLATING TO BE 1.9-3.3 μm ELECTRODEPOSITED SEMI-BRIGHT SILVER OVER 1.25-2.25 μm DUCTILE SULPHAMATE NICKEL PER NOTE 1(D).
  - 3. ANTI-TARNISH: SYNTHETIC HYDROCARBON CONTACT SURFACE FINISH OR EQUIVALENT APPLIED WITHOUT VOID TO CONTACT AREA (MIN 3.7mm FROM PIN TIP).
- C. 2.8MM BLADE:
  - 1. BASE MATERIAL: COPPER ALLOY; CONDUCTIVITY >= 28% IACS AT 20°C; TENSILE STRENGTH >= 350 N/mm<sup>2</sup>; SURFACE ROUGHNESS R<sub>a</sub> 6 MAX.
  - 2. PLATING FINISH: TIN. PLATING TO BE 2.5-5.0 μm ELECTRODEPOSITED TIN, MATTE FINISH OVER 1.25-2.5 μm DUCTILE SULPHAMATE NICKEL PER NOTE 1(D).
- D. PLATING REQUIREMENTS:
  - 1. SILVER PLATING
    - a. 99.5% PURE SEMI-BRIGHT WITH NO ORGANIC BRIGHTNERS OR CHROMATES.
  - 2. NICKEL PLATING
    - a. ELECTRODEPOSITED DUCTILE SULFAMATE NICKEL WITH A NON-BRIGHTENED FINISH. NO ORGANIC OR BRIGHTENING AGENTS SHALL BE ALLOWED.
    - b. SHALL ONLY BE USED AS AN UNDERLYING PLATING AND MAY NOT BE USED AS AN ELECTRICAL CONTACT SURFACE PLATING.
    - c. SHALL BE NODULE FREE WHEN VIEWED AT 10X MAGNIFICATION IN MEASURED IN CONTACT SURFACE AREA PLUS 0.5MM PERIMETER AROUND THE CONTACT SURFACE AREA.
    - d. ALL PLATINGS SHALL HAVE A 1.0% MAXIMUM BY WEIGHT IMPURITIES. IMPURITIES ARE DEFINED AS ALL ELEMENTS NOT THE PRIMARY PLATING OR HARDENING AGENT IF APPLICABLE, AS DETERMINED BY WET CHEMICAL ANALYSIS OR AUGER METHOD. NO SINGLE IMPURITY SHALL EXCEED 0.1% MAXIMUM BY WEIGHT.
  - 3. TESTING
    - a. THICKNESS TO BE MEASURED IN CONTACT SURFACE AREA PLUS 0.5MM PERIMETER AROUND THE CONTACT SURFACE AREA AS DESIGNATED IN THE DRAWING. THICKNESS SHALL BE DETERMINED BY METHOD OF X-RAY (XRF).
    - b. PLATING ADHESION SHALL BE TESTED BY A BEND TEST FOR ALL METALS. THE TEST SAMPLE SHALL BE BENT 90 DEGREES TO DETERMINE DEPOSIT ADHESION. TESTING SHALL BE COMPLETED IN ACCORDANCE WITH ASTM SPEC B571.


2. DESIGN - GENERAL:

- A. THIS IS A 100% CAD GENERATED PART. THE CAD MATHEMATICAL DATA IS THE MASTER FOR THIS PART. FOR DIMENSIONAL OR ANY INFORMATION NOT SHOWN ON THIS DRAWING, ANALYZE THE CAD MODEL.
- B. TOLERANCES:
  - 1. LINEAR
    - 0.X ± 0.30
    - 0.XX ± 0.10
    - 0.XXX ± 0.10
  - 2. ANGULAR X° ± 3°
  - 3. 
- C. MINIMUM WALL THICKNESS REQUIRED: 1.3mm.
- D. CORNERS SHOWN AS SHARP TO BE R 0.2 MAX.
- E. LETTERING SHALL BE 0.15 MAX RAISED IN 0.20 MAX RECESS PAD. THIS INCLUDES MATERIAL CODE, RECYCLING CODE, CAVITY ID AND DATE CODE.
- F-1. PARTS MUST BE FREE OF DISCOLORATION, SALT RESIDUE AND OTHER IMPERFECTIONS THAT AFFECT FIT OR FUNCTION.
- F-2. SCRATCHES OR DENTS NOT TO EXCEED 0.013mm IN DEPTH.
- G. FOLLOWING PRODUCTION CODES TO BE PERMANENTLY MARKED & HUMAN READABLE TO A LETTER HEIGHT OF 1.5 ± 0.5MM X 0.3 MAX DEEP
  - 1. MATERIAL #: XXXXX-XXXX
  - 2. DATE CODE: JJYY (JULIAN DAY, LAST DIGIT OF YEAR)
  - 3. INSPECTION MACHINE CODE + SERIAL #: X\_XXXXX

3. DESIGN - MANUFACTURING:

- A. DRAFT TO BE WITHIN TOLERANCE.
- B. ALLOWABLE FLASH MAX 0.2 HIGH X MAX 0.13 THICK.
- C. ALLOWABLE PARTING LINE MISMATCH 0.2 MAX.
- D. EJECTOR PINS MARK TO BE FLUSH TO 0.25 MAX DEPRESSED.
- E. ALLOWABLE GATE VESTIGE FLUSH TO 0.25 MAX PROTRUSION.
- F. NO EXTERNAL MOLD RELEASE AGENT ALLOWED DURING MANUFACTURING.
- G. STEEL THAT FORMS THE INDICATED SURFACE MUST BE POLISHED WITH A DIAMOND FINISH (SPI A-2) OVER THE FULL PERIPHERY OF THE TOOL. SURFACE MUST HAVE NO MISMATCH.
- H. ANY PROCESS LUBRICANT REMAINING ON THE TERMINAL MUST NOT VARNISH OR DEGRADE IT'S ELECTRICAL PERFORMANCE UP TO A MAXIMUM CLASS AMBIENT TEMPERATURE PER SAE USCAR-2 FOR 1008 HOURS. PROCESS LUBRICANTS SHOULD BE APPROVED BY THE RESPONSIBLE ENGINEER.
- J. OPTIONAL FEATURES PROVIDED FOR AUTOMATION.
- K. PART MUST BE FREE FROM BURRS AND SHARP EDGES, WHICH MIGHT BE DETRIMENTAL TO SATISFACTORY ASSEMBLY, SAFE HANDLING OR FUNCTION OF PART.
- L. PARTS AS DELIVERED TO ASSEMBLY SHALL BE CLEAN AND FREE OF DEBRIS, RESIDUAL ABRASIVE MATERIAL AND CORROSION PRODUCTS ADVERESLY AFFECTING FUNCTION OR APPEARANCE.
- M. RESTRICTED AND REPORTABLE SUBSTANCES FOR PARTS PER GMW3059.

002C

	PAGE TITLE	DRAWING NUMBER	DWG STATUS			PAGE NUMBER	
	NOTES		12642695	ST	REV	PDI	6 OF 21
				R	002		

NOTES: UNLESS OTHERWISE SPECIFIED

4. SYSTEM REQUIREMENTS:

A. HARNESS CONNECTOR IS COMPATIBLE WITH THE FOLLOWING SAE WIRE SIZE NO'S:

- 14, MEETING SAE J1128
- 18, MEETING SAE J1128, MAX O.D. OF 2.06 MM
- 20, MEETING SAE J1128
- 22, MEETING SAE J1128, MIN O.D. OF 1.47 MM

B. CABLE TIE SPECIFICATIONS:

- 1. CABLE TIE:
  - TENSILE RATING: 220N / (50lbs) MIN
  - TIE LENGTH: 186mm MIN
  - TIE WIDTH: 4.75mm MAX
  - MATERIAL: NYLON
- 2. INSTALLATION:
  - CABLE TIE TENSION: 190N MIN
- 3. DRESSED WIRE BUNDLE PACKAGING: SEE FIG. 1

C. WHEN MATED WITH COMPONENT CONNECTOR INTERFACE AND/OR DRESS COVER, HARNESS CONNECTOR SYSTEM CONFORMS TO THE FOLLOWING:

- 1. SAE/USCAR-2, REV: 3 APRIL, 2001; CLASS 3
- 2. FIELD CORRELATED LIFE TEST, SAE/USCAR-20, NOV. 2001
- 3. GMW #3191 AUGUST 22, 2000 (DRAFT); TEMPERATURE CLASS 3, SEALING CLASS 1, VIBRATION CLASS 2
- 4. RESTRICTED AND REPORTABLE CHEMICALS PER GMW #3059, REV: D AUGUST 2002
- 5. TPA USER FORCES (FULLY POPULATED WITH TERMINALS)
  - a. REMOVAL FROM LOCK TO PRE-SET: <=120N

D. WIRE SPECIFICATIONS:

- 1. WIRE SURFACE MUST BE FREE OF SCRATCHES, GROOVES OR DENTS WHERE FUNCTIONAL

5. TERMINAL CURRENT RATINGS:

ALL TESTING DONE IN ACCORDANCE WITH USCAR-2 REV5 SECTION 5.3

A. MX64 RCPT TERM

- 1. MX64 RCPT TERM Ag 18/20 GAGE CRIMPED TO SAE WIRE SIZE NO.18 AND MATED TO MX123 0.64MM PIN: 11.3 AMPS
- 2. MX64 RCPT TERM Ag 22 GAGE CRIMPED TO SAE WIRE SIZE NO.22 AND MATED TO MX123 0.64MM PIN:8.5 AMPS

WIRE	CURRENT RATING			
	23°C	85°C	105°C	125°C
18AWG	11.3A	11.3A	9.5A	6.6A
20AWG	10.0A	10.0A	8.3A	5.7A
22AWG	8.6A	8.6A	7.1A	5.0A

B. 2.8MM RCPT TERM

- 1. 2.8MM RCPT TERM TIN 14 GAGE CRIMPED TO SAE WIRE SIZE NO.14 AND MATED TO MX123 2.8MM BLADE: 25.6 AMPS

6. CONTACT MOLEX AUTOMOTIVE FOR AVAILABLE CUSTOM PATTERNS OF CAVITIES OPEN FOR CIRCUITS



PAGE TITLE  
NOTES

DRAWING NUMBER

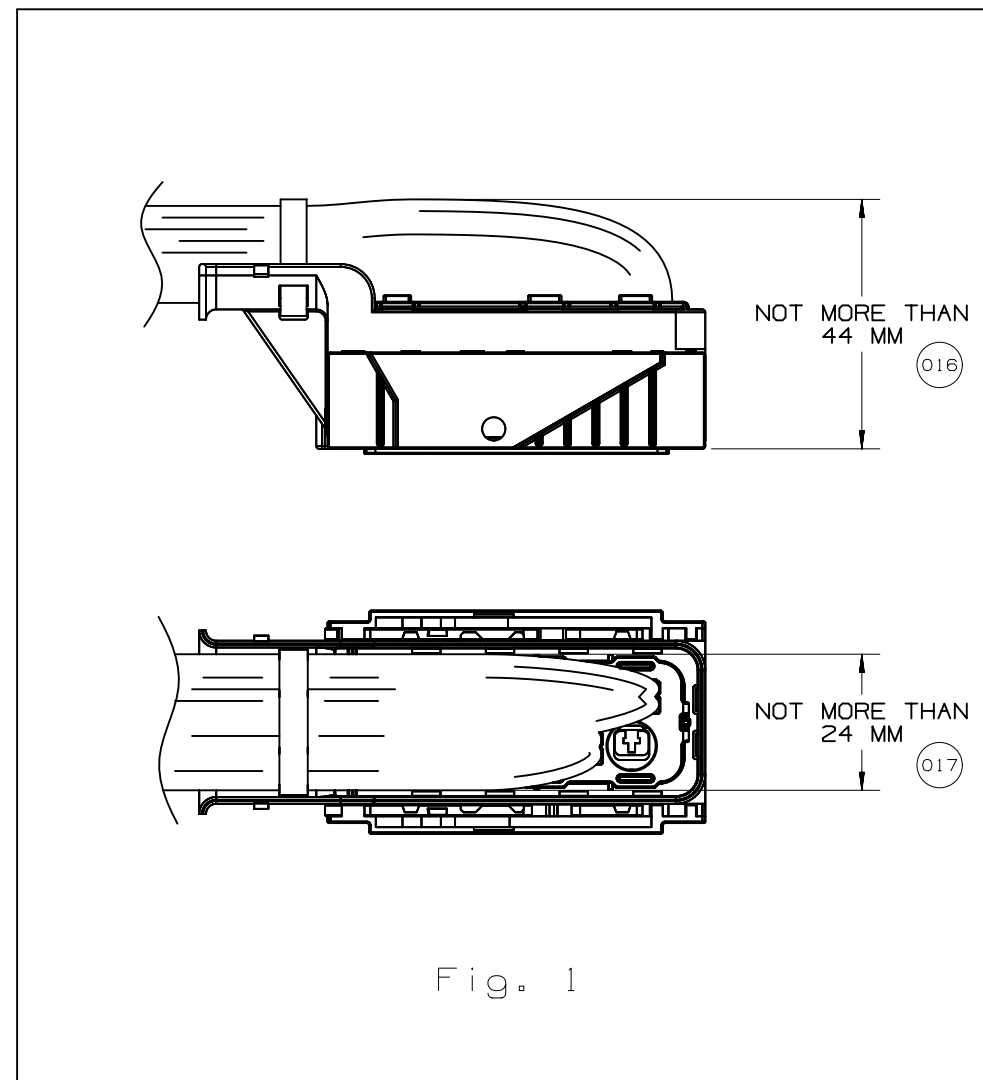
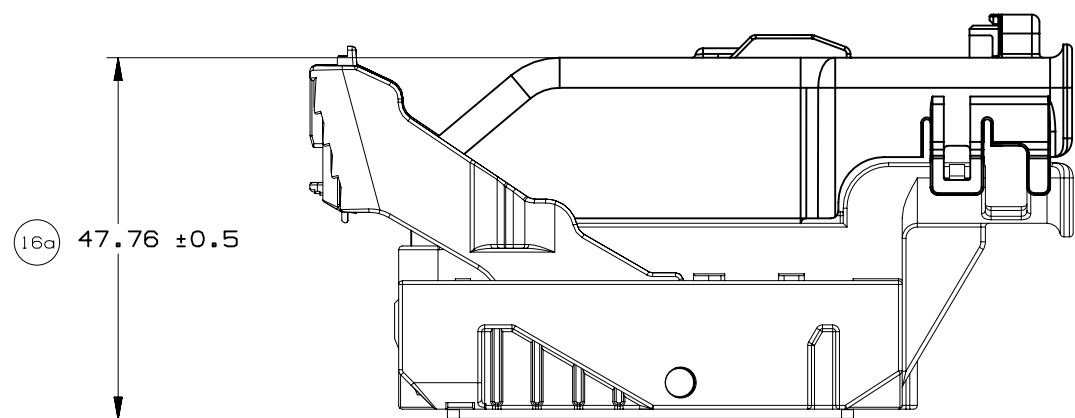
12642695

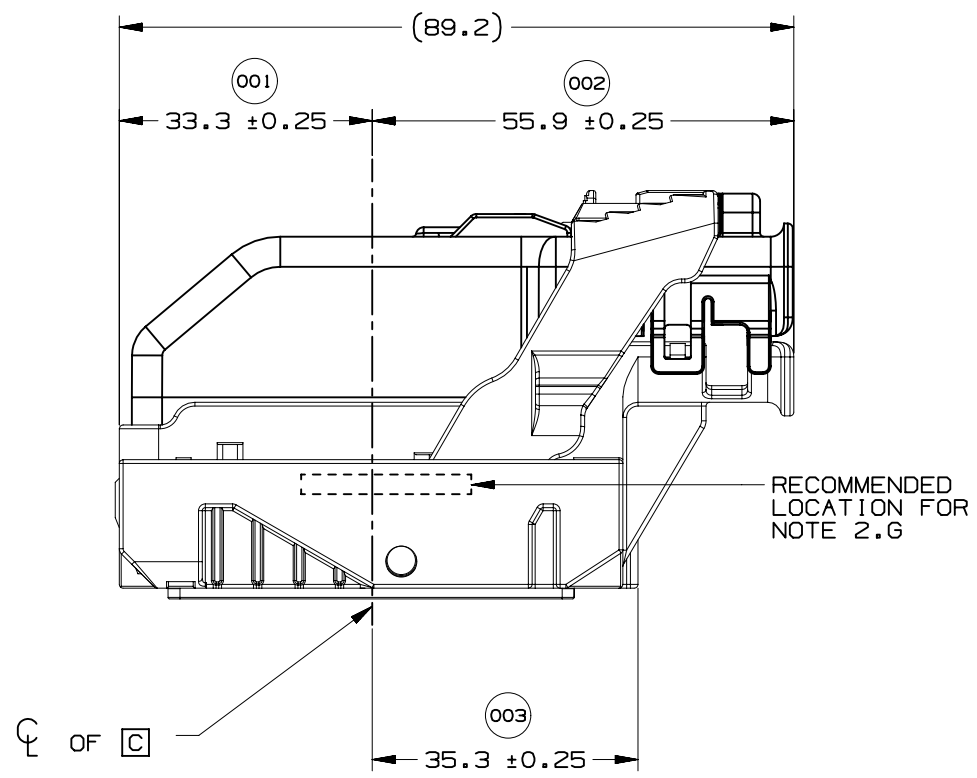
DWG STATUS

ST	REV	PDI
R	002	

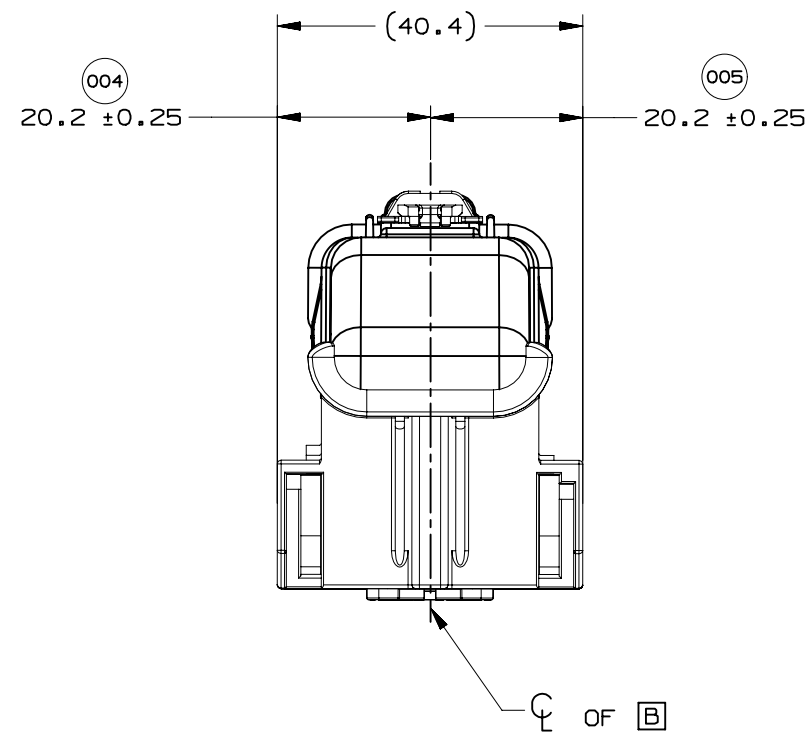
PAGE NUMBER

7 OF 21

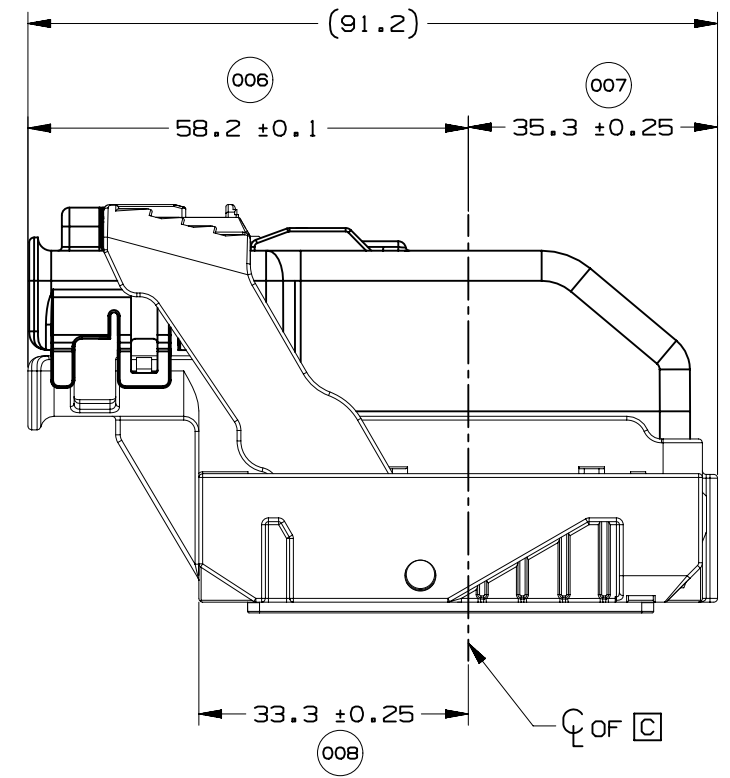




WIRE DRESS OPTION 0 SHOWN

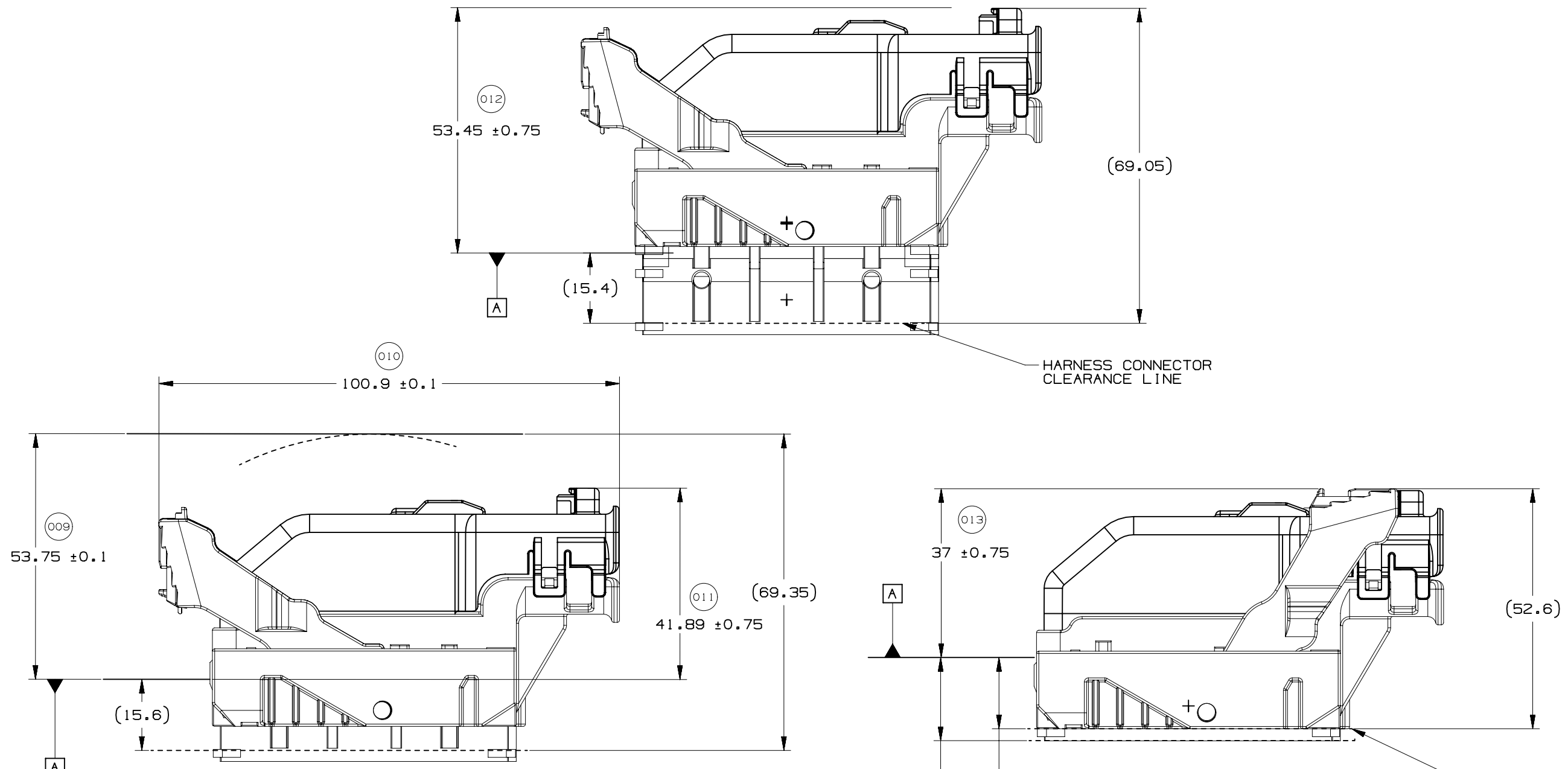


WIRE DRESS OPTION 0 SHOWN



WIRE DRESS OPTION 9 SHOWN





HARNESS CONNECTOR CLEARANCE LINE

HARNESS CONNECTOR ASSEMBLY IN FULLY-MATED POSITION

HARNESS CONNECTOR CLEARANCE LINE

15.6 MIN. ALL AROUND CLEARANCE REQUIRED FOR HARNESS CONNECTOR (014)

17.9 MIN. AT PAD LOCATION CLEARANCE REQUIRED FOR HARNESS CONNECTOR CONSTRUCTION BELOW THIS PLANE IS NOT CONTROLLED (015)

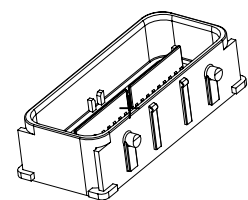
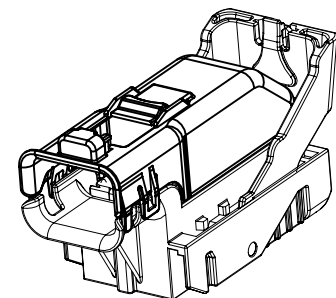
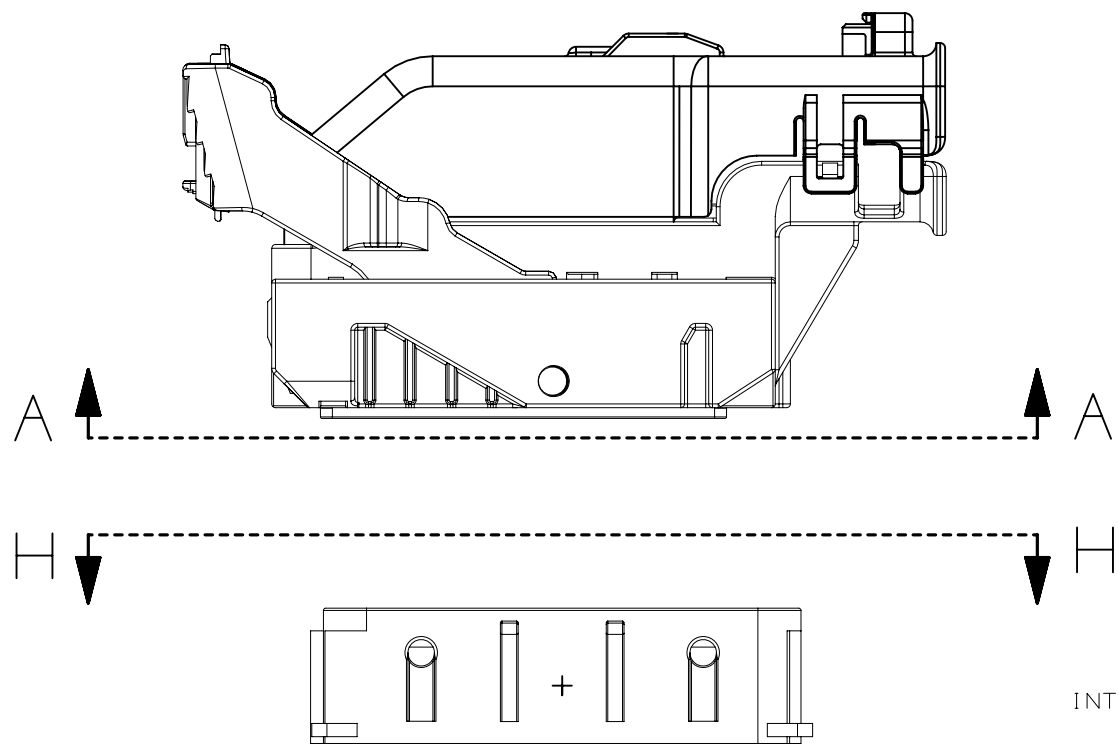


PAGE TITLE  
 LOCATION AND PACKAGING DIMENSIONS  
 REFERENCING INTERFACE DATUM A

DRAWING NUMBER  
 12642695

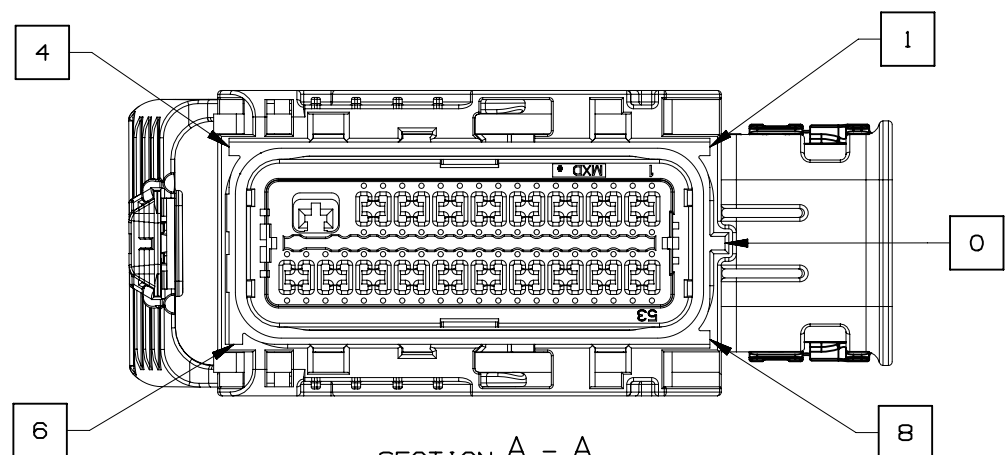
DWG STATUS		
ST	REV	PD1
R	002	

PAGE NUMBER  
 10 OF 21

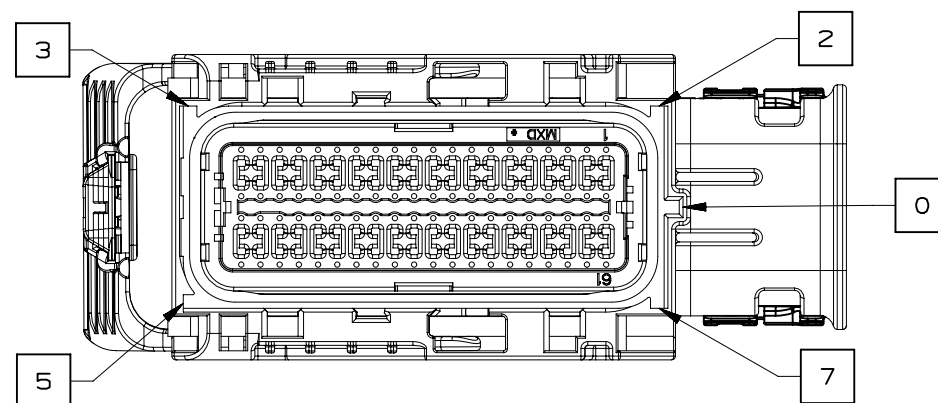


NOTE: REFERENCE THE COMPONENT TABLE FOR KEY OPTIONS AND CONFIGURATIONS

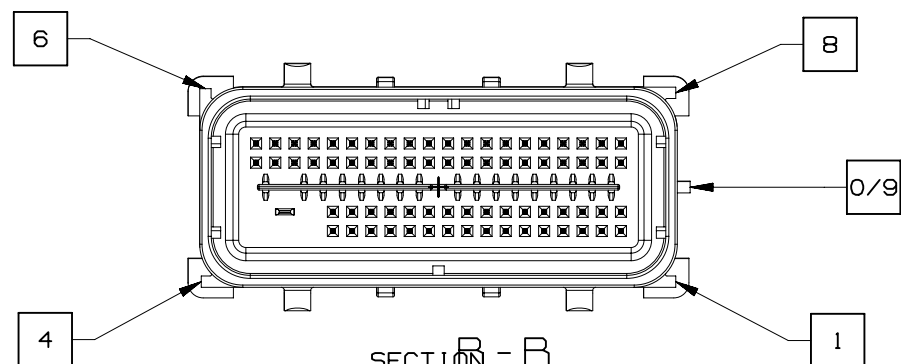
INTERFACE SIDE SHOWN ON ALL SECTION VIEWS



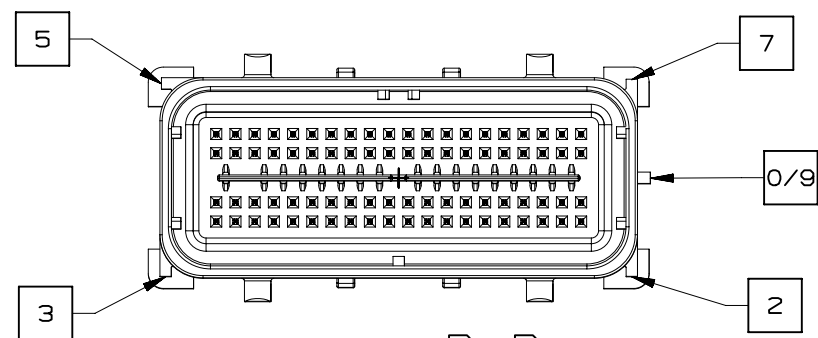
SECTION A - A  
KEY OPTION B SHOWN



SECTION A - A  
KEY OPTION K SHOWN



SECTION B - B  
KEY OPTION B SHOWN



SECTION B - B  
KEY OPTION K SHOWN

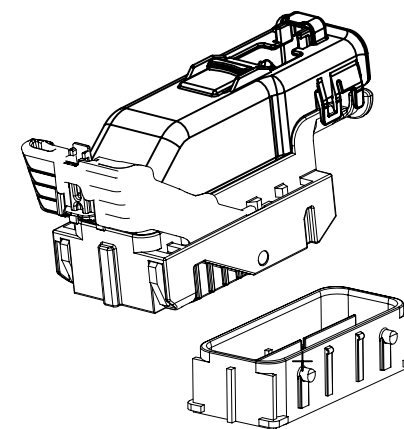
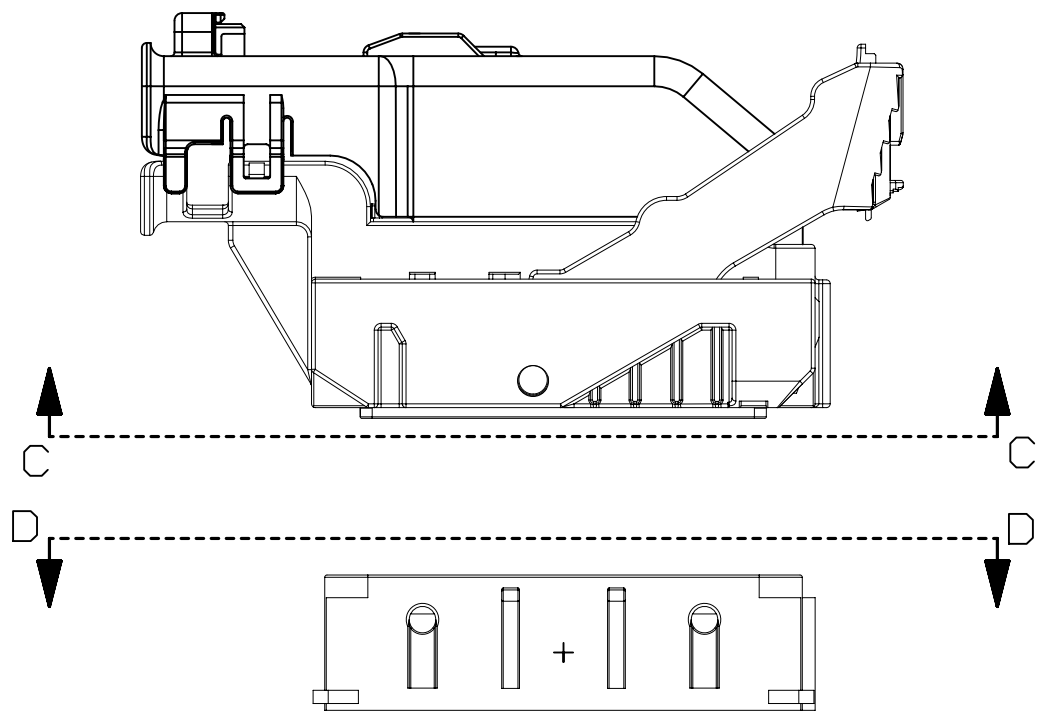


PAGE TITLE  
KEY ID REF - WIRE DRESS OPTION 0

DRAWING NUMBER  
12642695

DWG STATUS		
ST	REV	PD1
R	002	

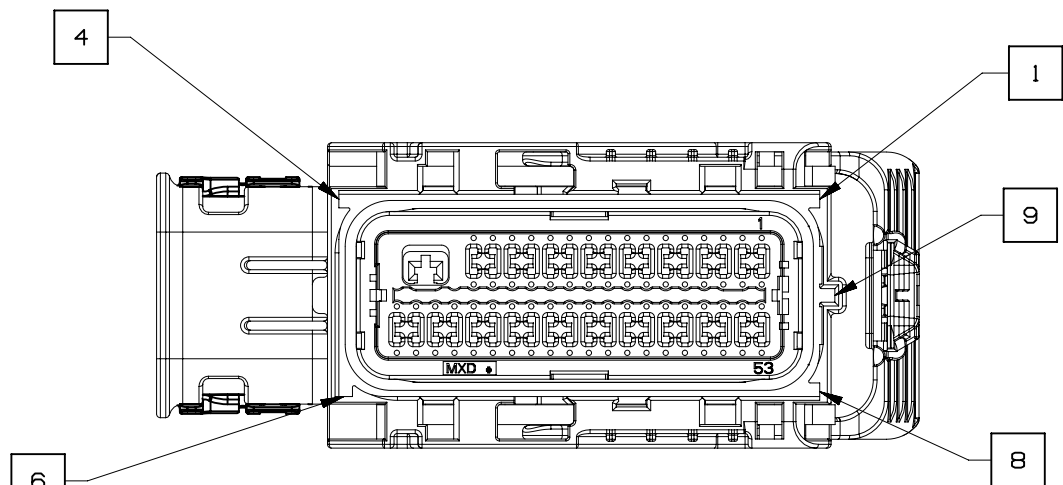
PAGE NUMBER  
11 OF 21



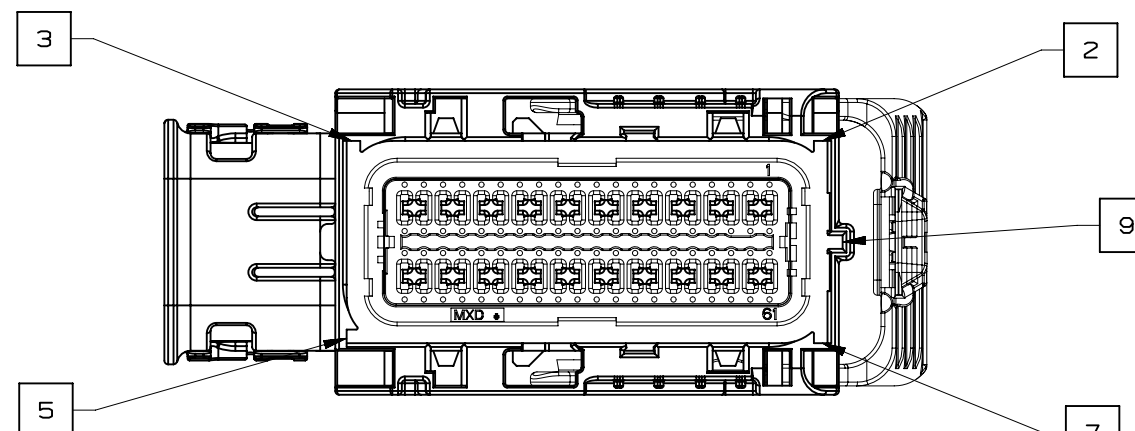
NOTE: REFERENCE THE COMPONENT TABLE FOR KEY OPTIONS AND CONFIGURATIONS

VIEW V

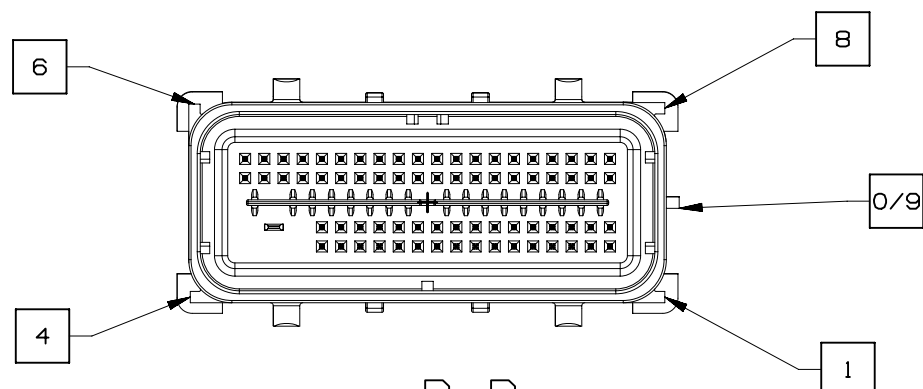
INTERFACE SIDE SHOWN ON ALL SECTION VIEWS



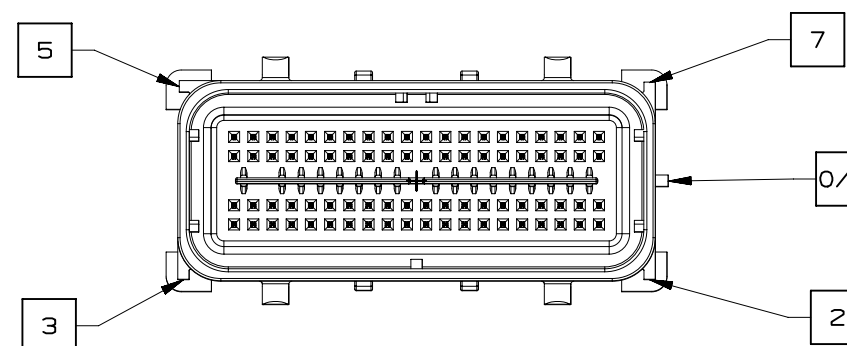
SECTION C-C  
KEY OPTION B SHOWN



SECTION C-C  
KEY OPTION K SHOWN



SECTION D-D  
KEY OPTION B SHOWN



SECTION D-D  
KEY OPTION K SHOWN



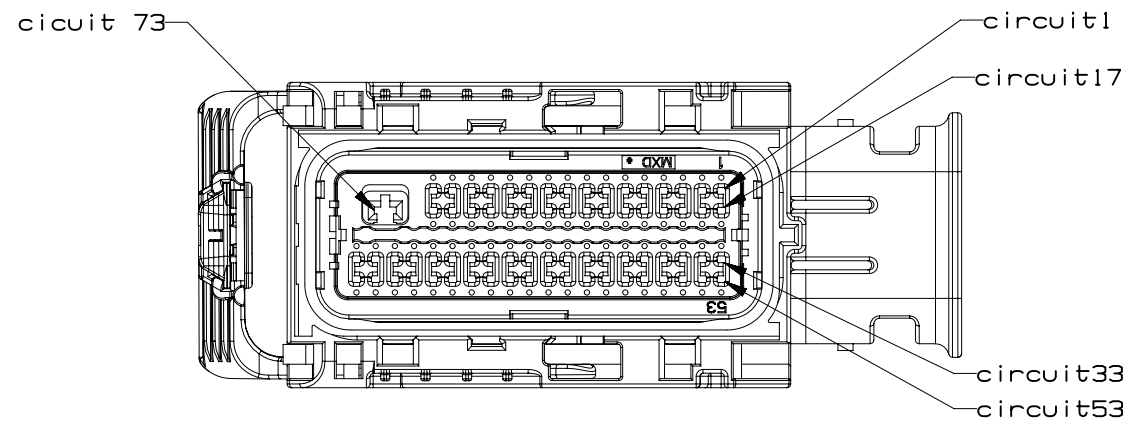
PAGE TITLE  
KEY ID REF - WIRE DRESS OPTION 9

DRAWING NUMBER  
12642695

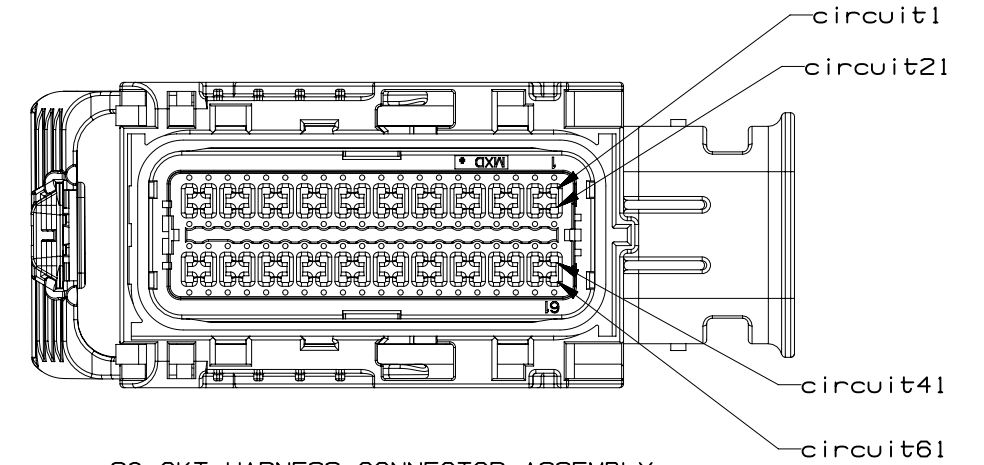
DWG STATUS		
ST	REV	PD1
R	002	

PAGE NUMBER  
12 OF 21



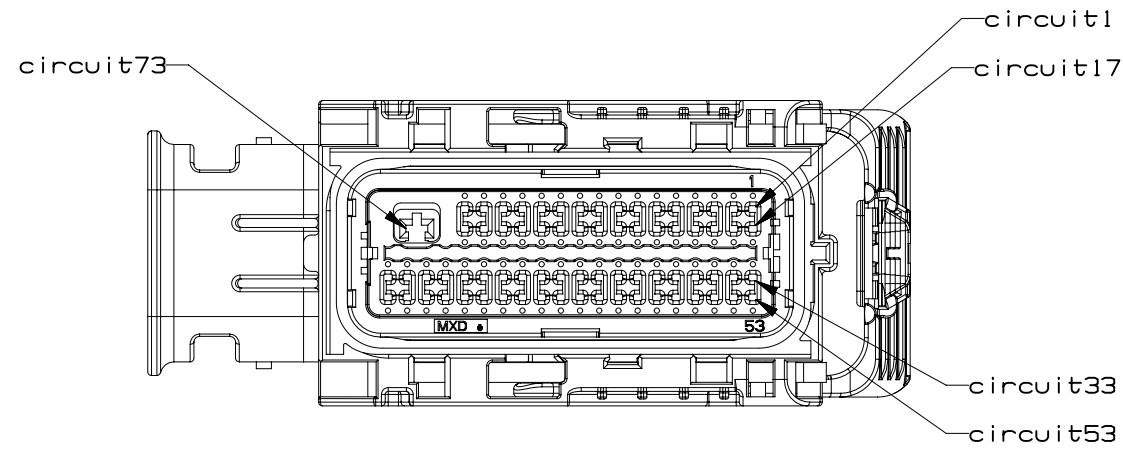


73 CKT HARNESS CONNECTOR ASSEMBLY  
WIRE DRESS OPTION 0

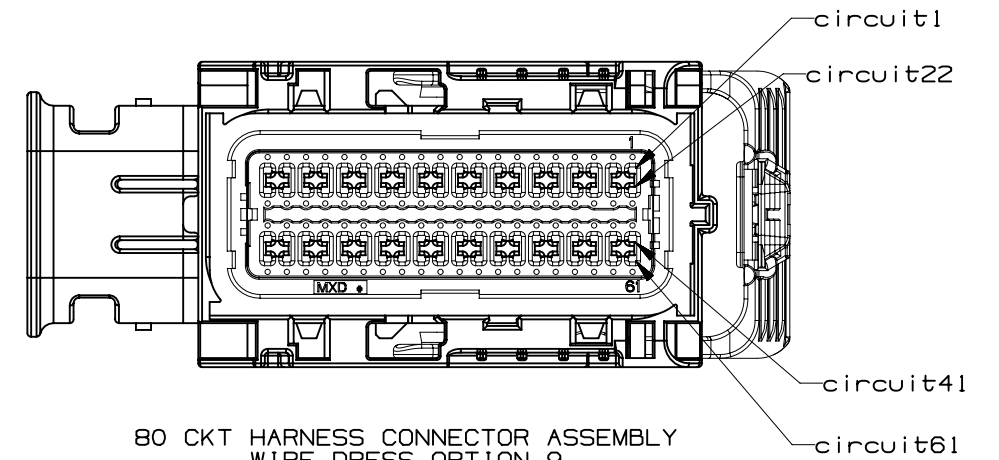


80 CKT HARNESS CONNECTOR ASSEMBLY  
WIRE DRESS OPTION 0

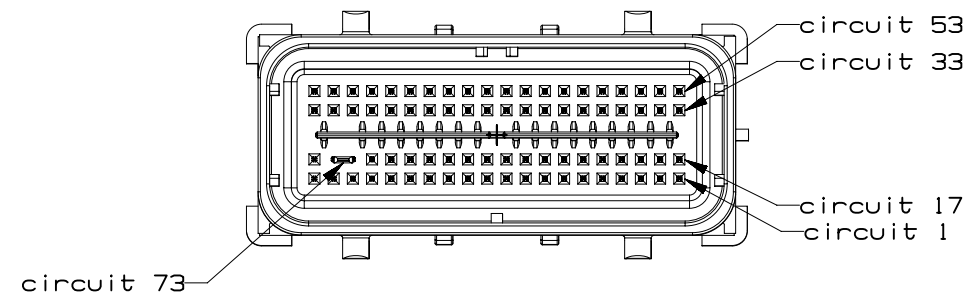
INTERFACE SIDE SHOWN ON ALL VIEWS



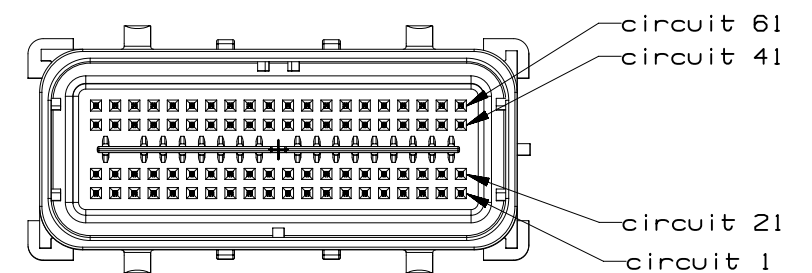
73 CKT HARNESS CONNECTOR ASSEMBLY  
WIRE DRESS OPTION 9



80 CKT HARNESS CONNECTOR ASSEMBLY  
WIRE DRESS OPTION 9

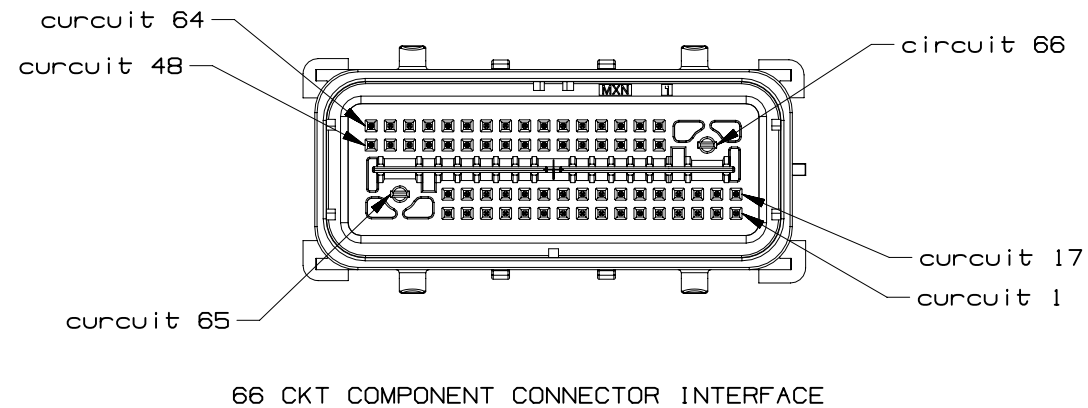
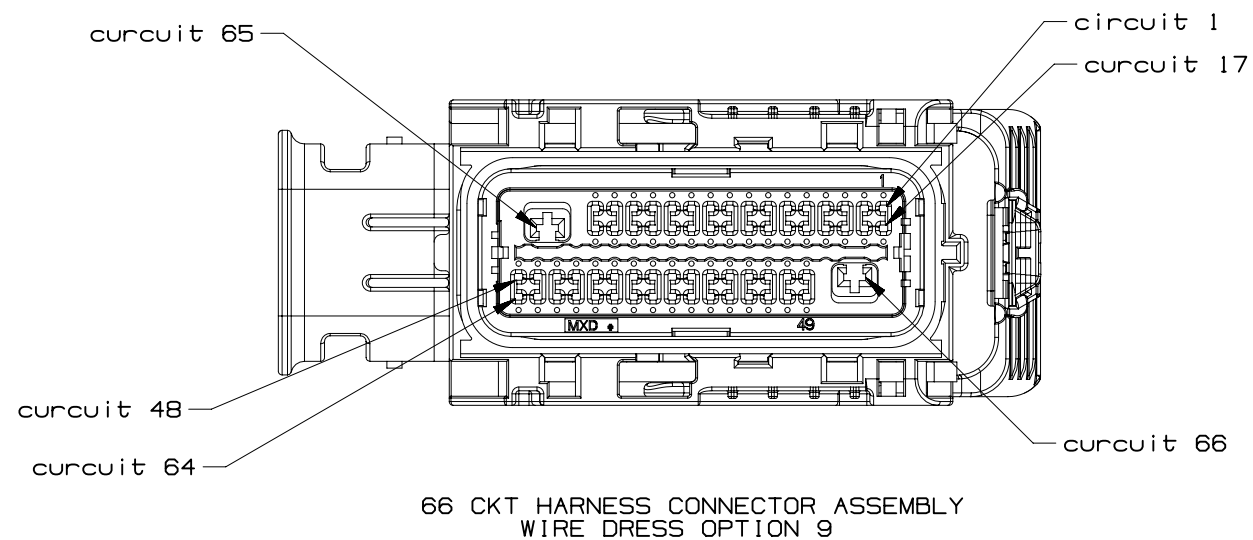
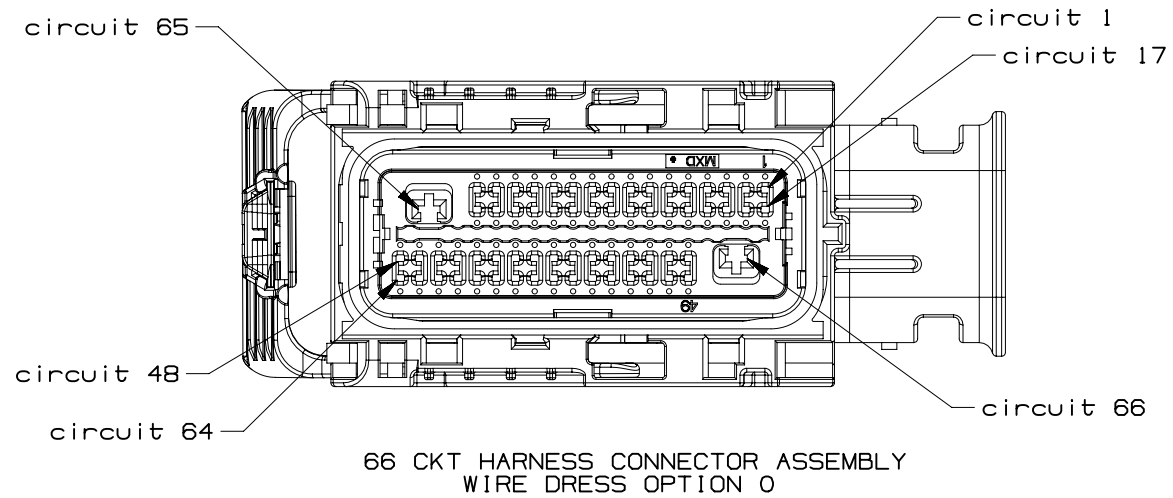



73 CKT COMPONENT CONNECTOR INTERFACE

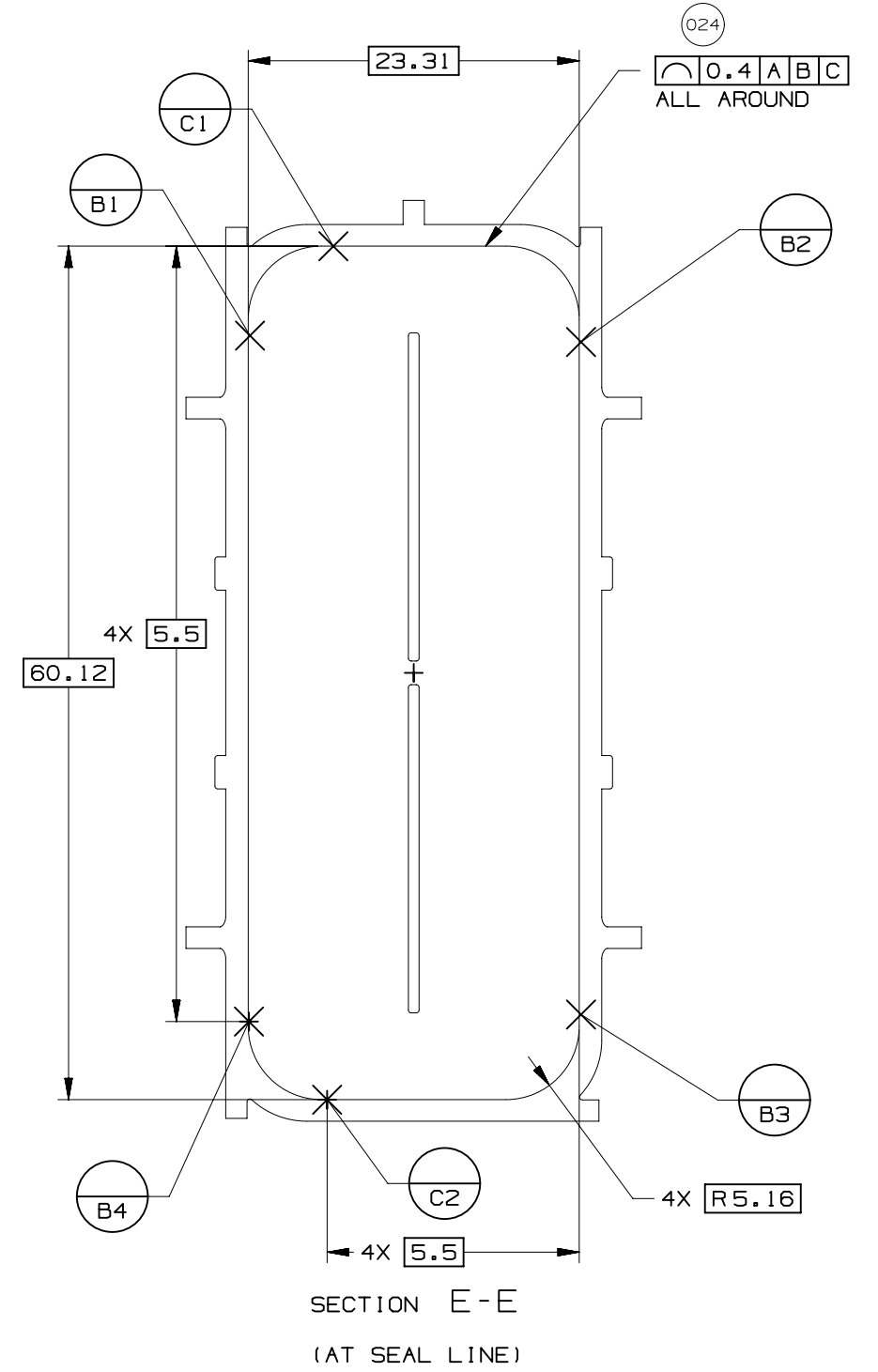
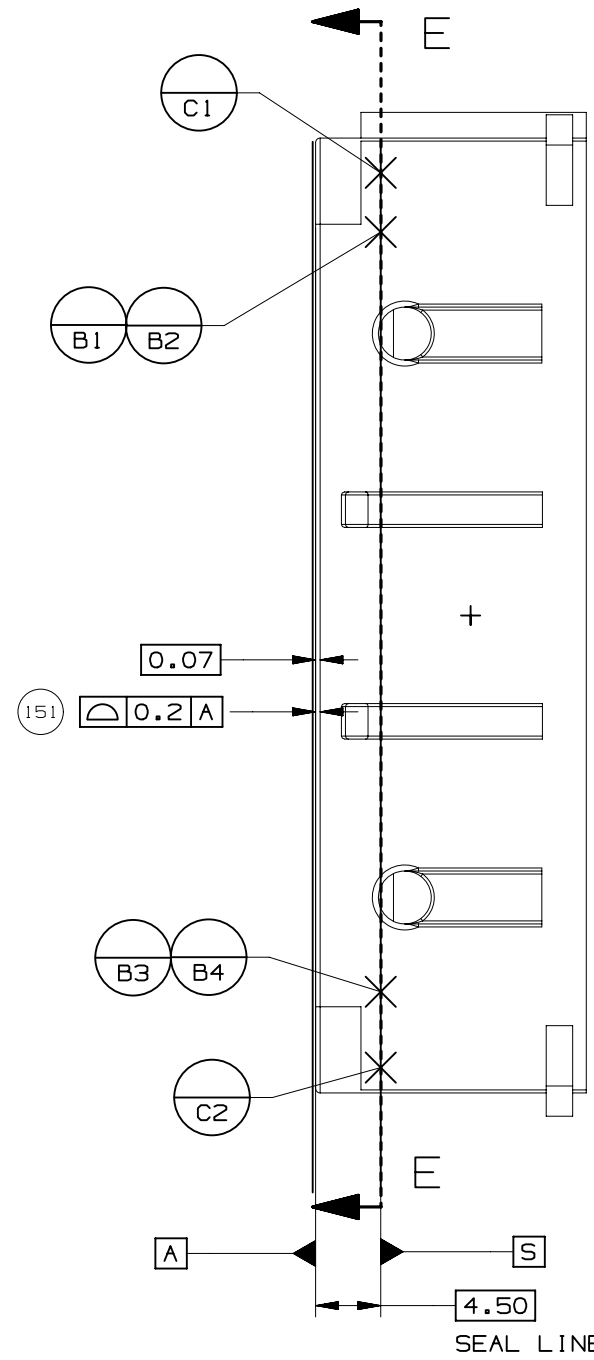
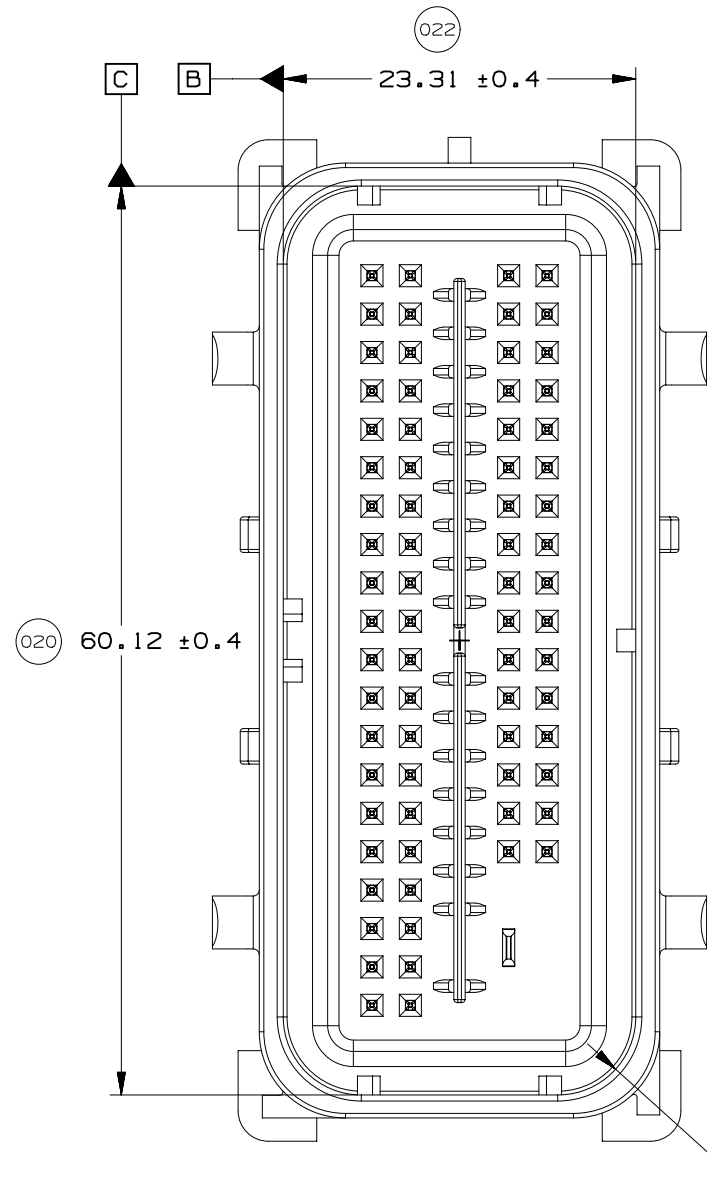
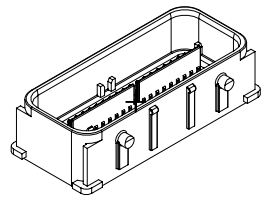


80 CKT COMPONENT CONNECTOR INTERFACE





	PAGE TITLE	DRAWING NUMBER	DWG STATUS			PAGE NUMBER	
	CIRCUIT CONFIGURATIONS		12642695	ST	REV	PDI	14 of 21
				R	002		



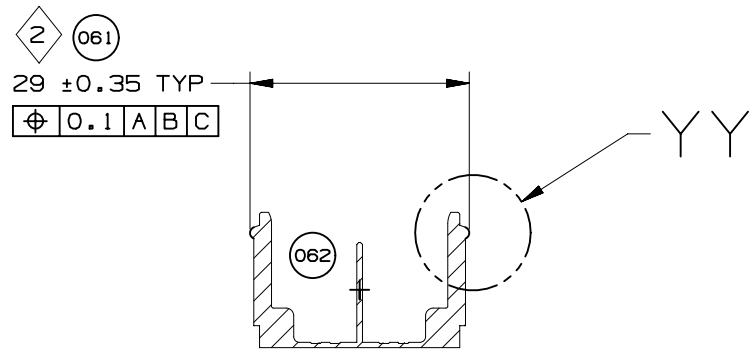
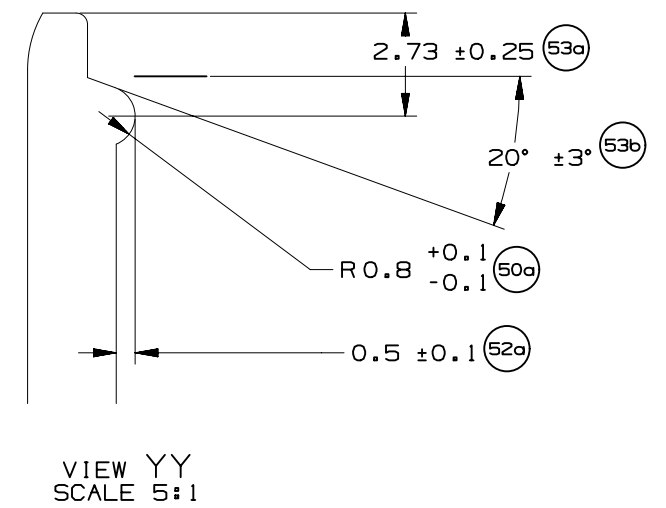
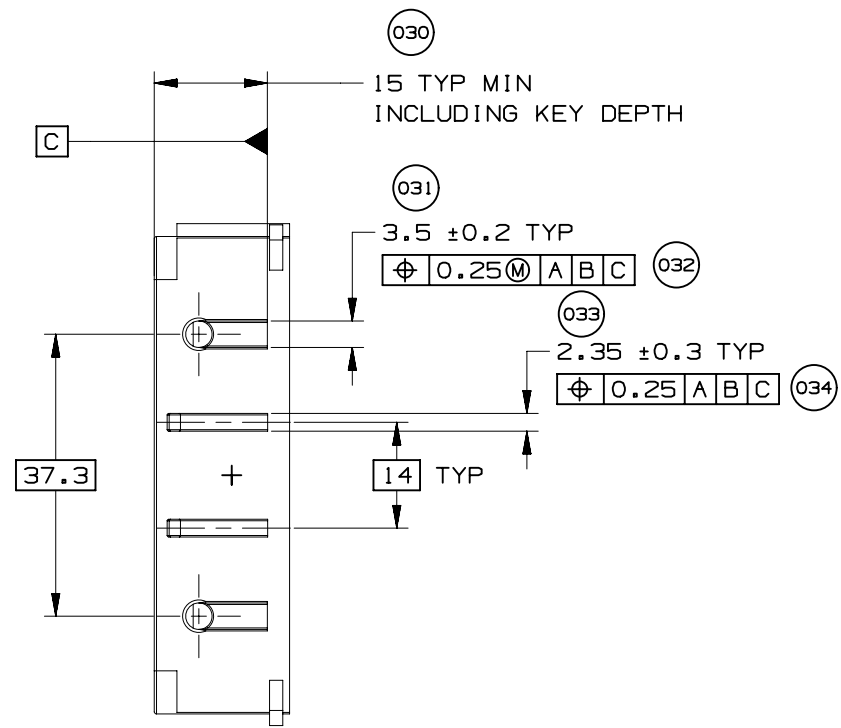
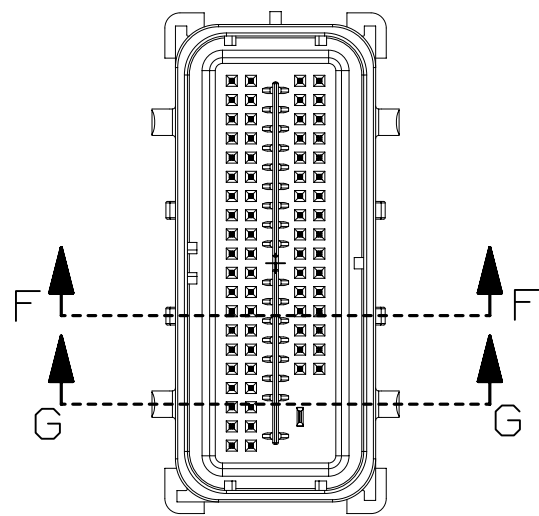
UNLESS SPECIFIED, TOLERANCE OF THE COMPONENT CONNECTOR INTERFACE TO BE  $\sqrt[0.13]{A B C}$



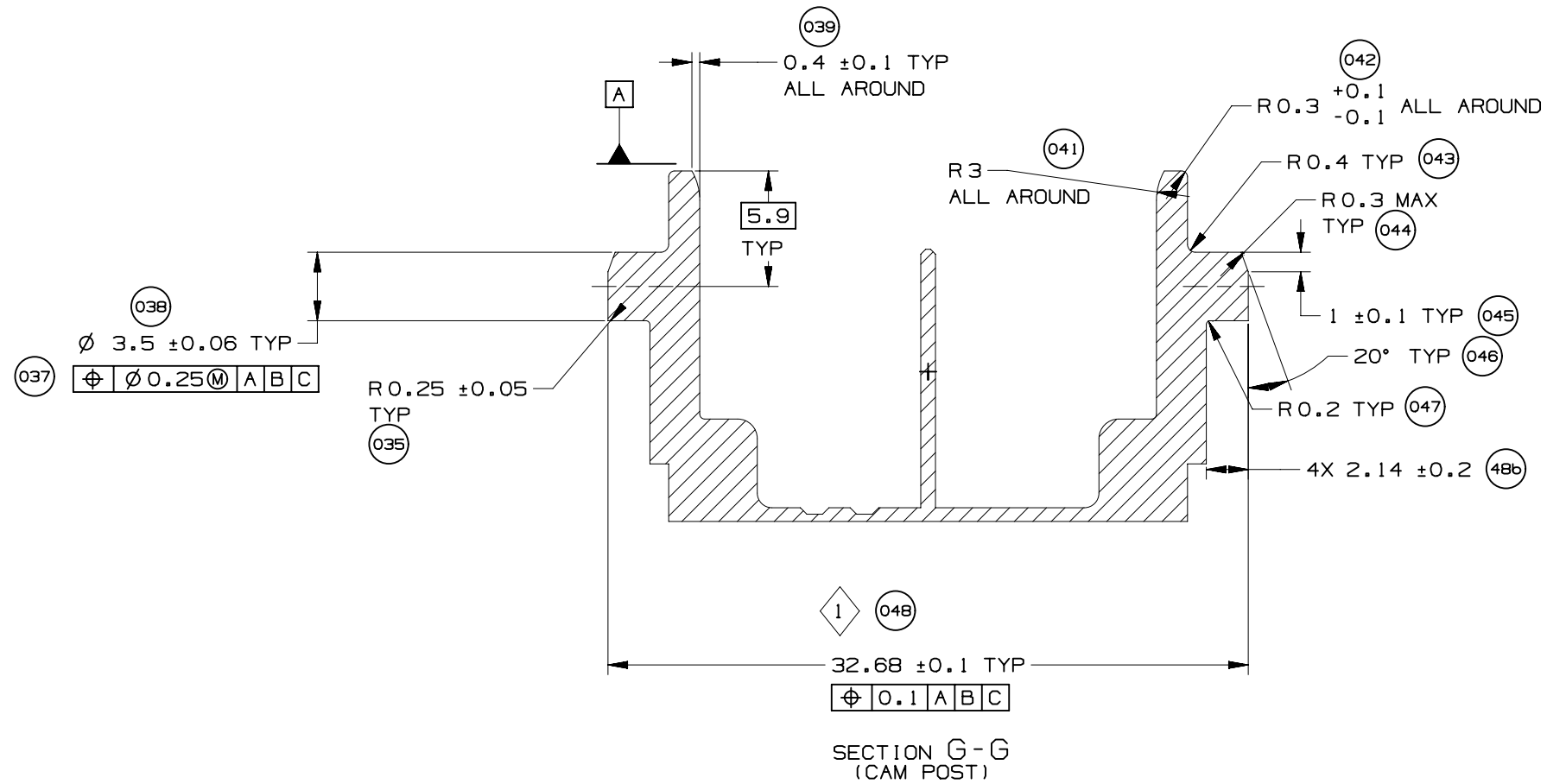
PAGE TITLE  
COMPONENT CONNECTOR INTERFACE

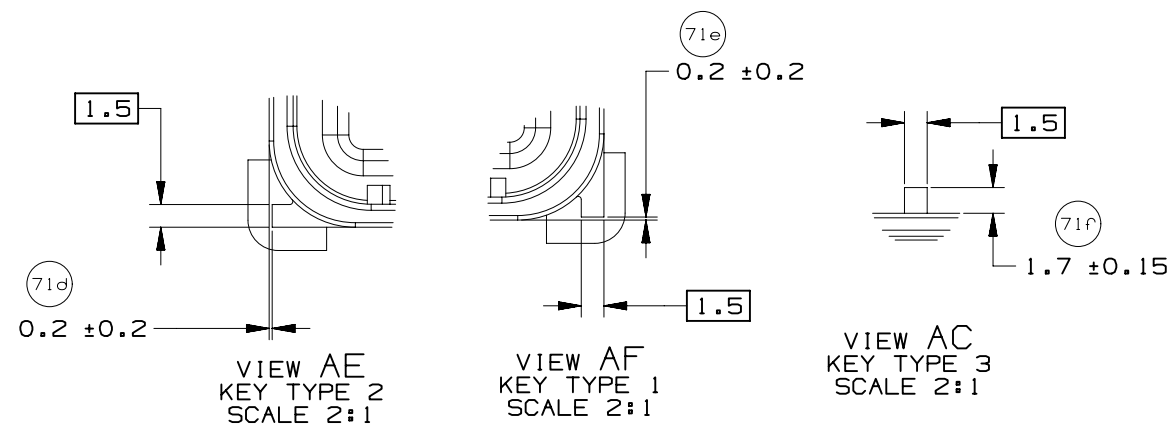
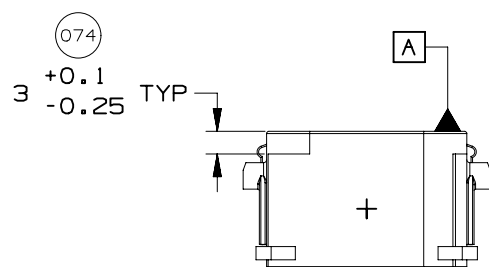
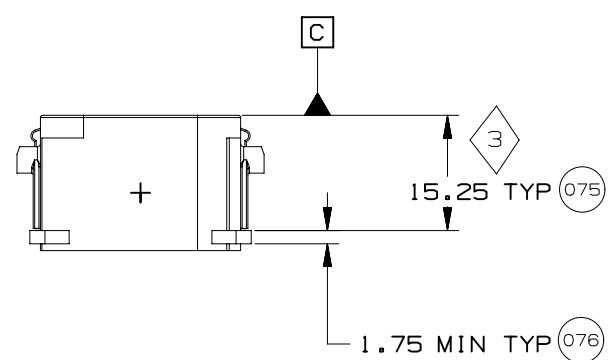
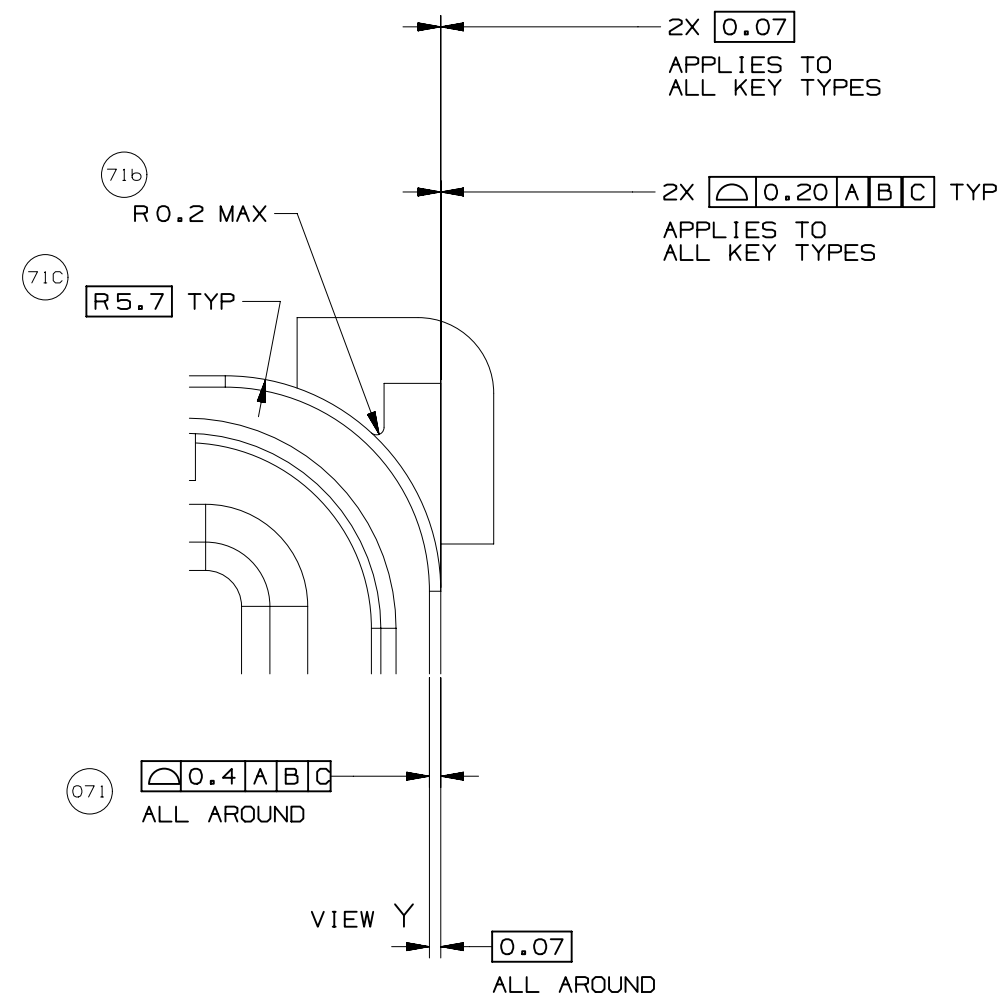
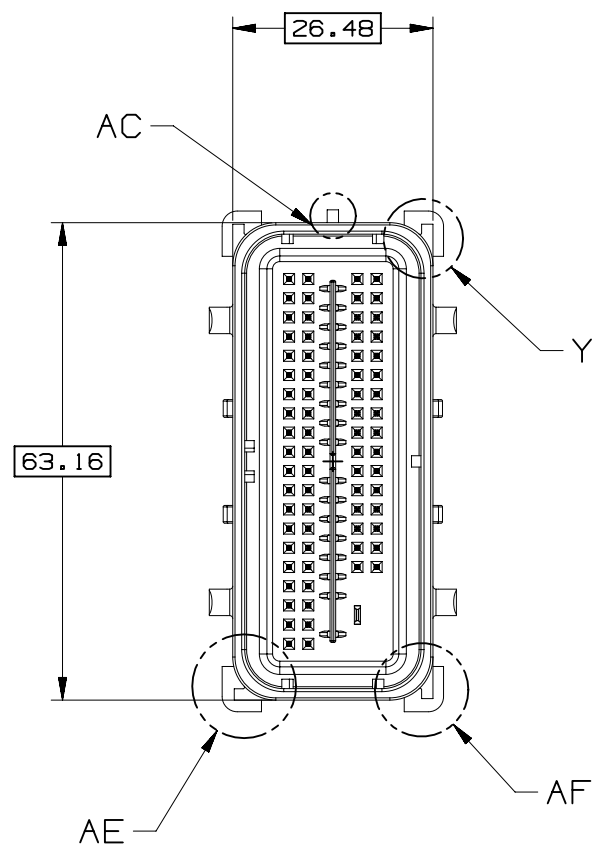
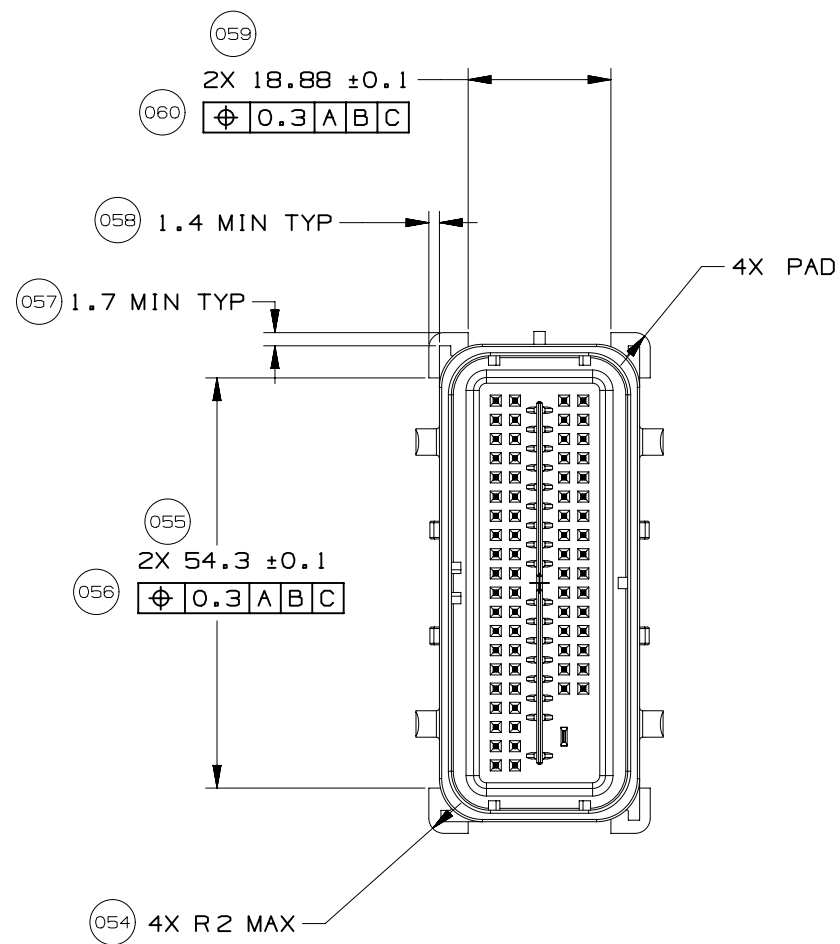
DRAWING NUMBER  
12642695

DWG STATUS			PAGE NUMBER
ST	REV	PD1	
R	002		15 OF 21



SECTION F-F

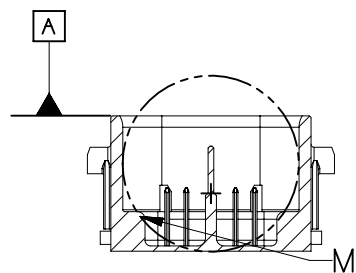
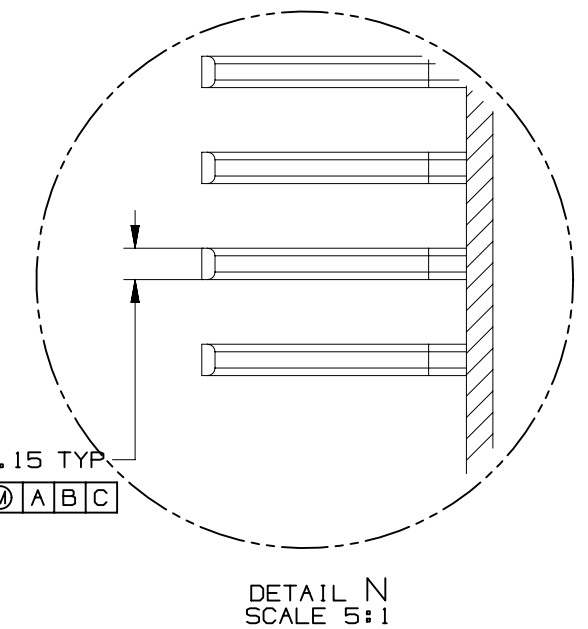
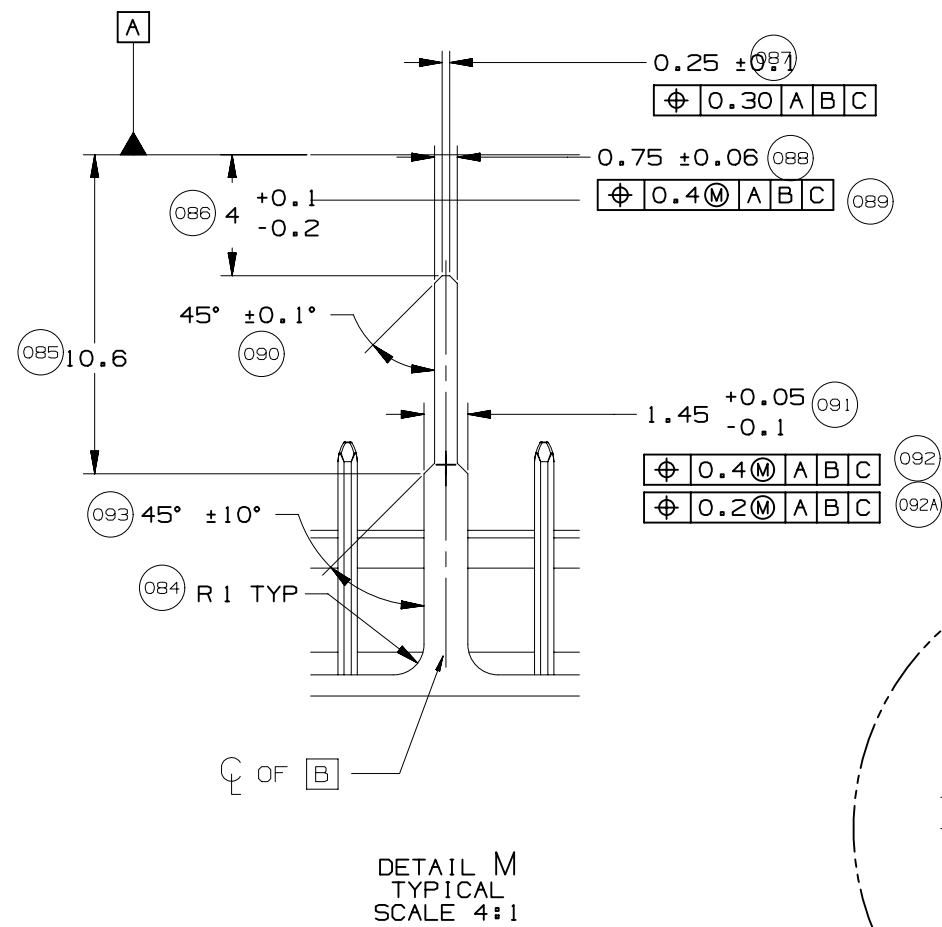
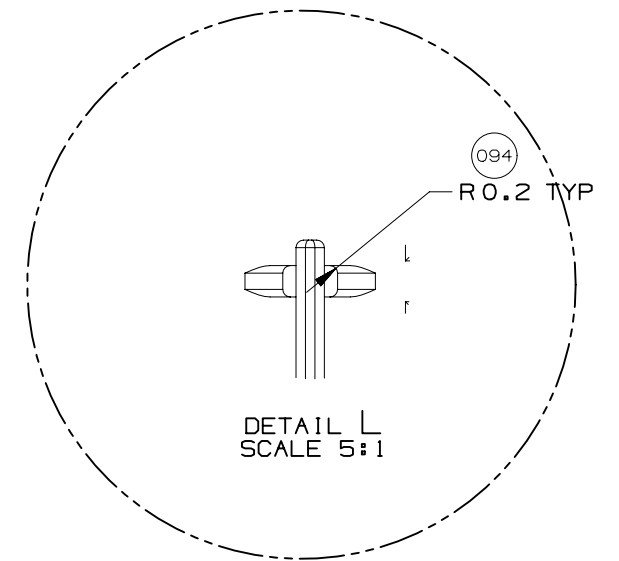
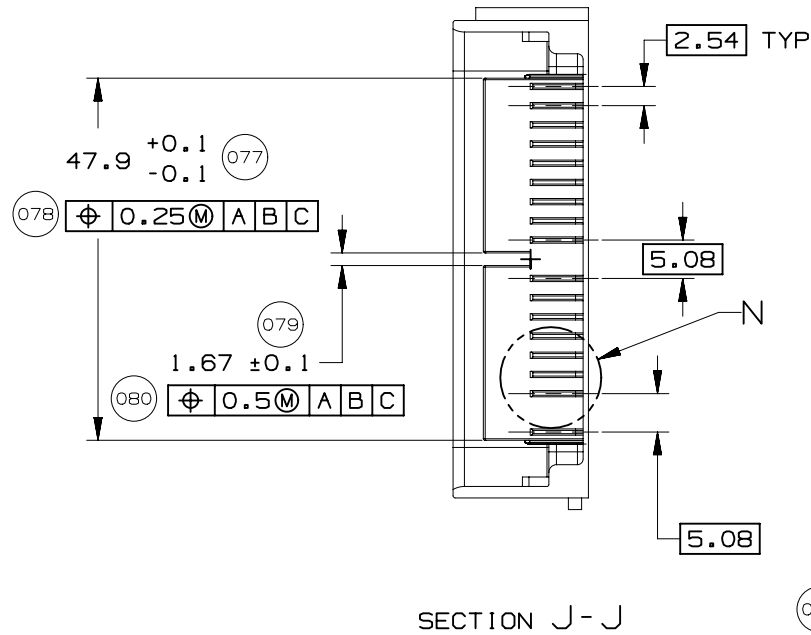
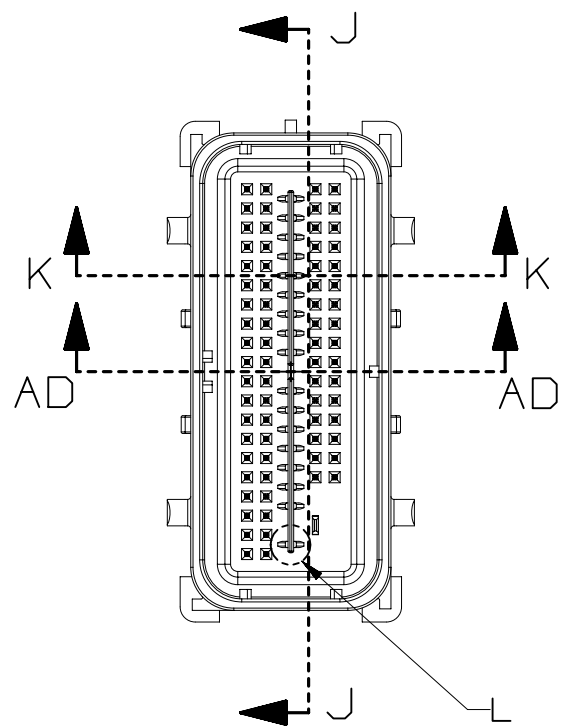




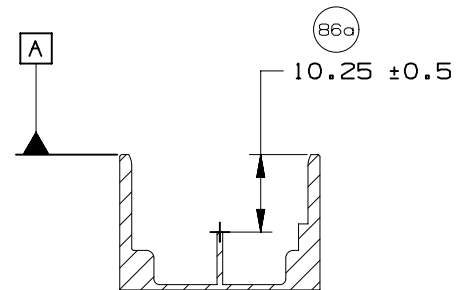
PAGE TITLE  
 COMPONENT CONNECTOR INTERFACE

DRAWING NUMBER  
 12642695

DWG STATUS			PAGE NUMBER
ST	REV	PD1	
R	002		17 OF 21

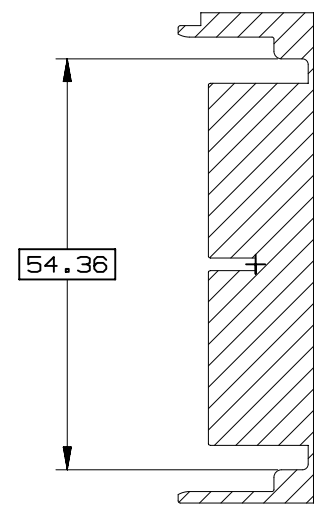
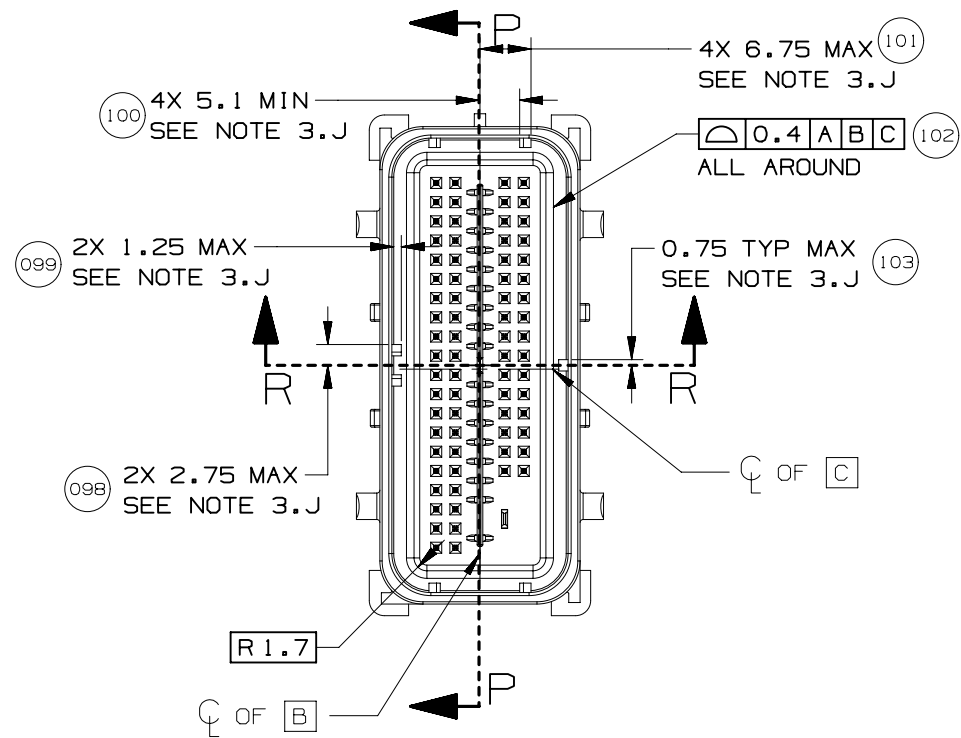


SECTION K-K

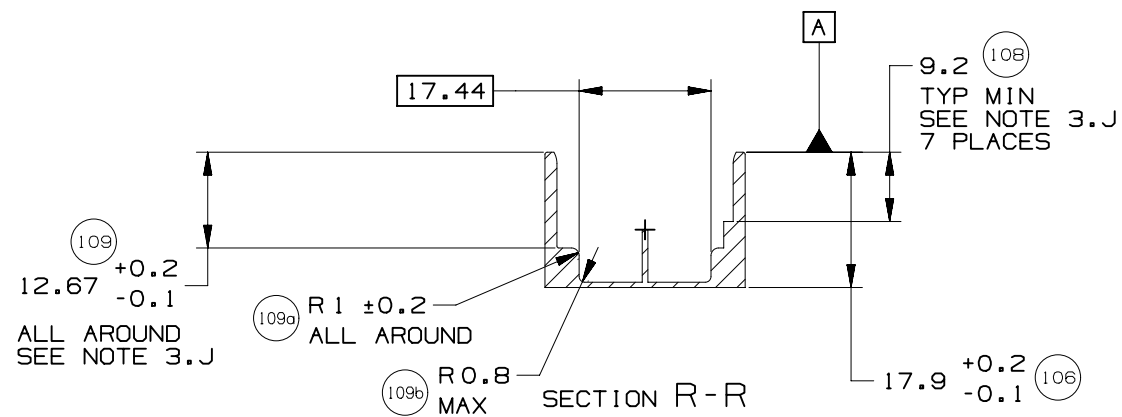


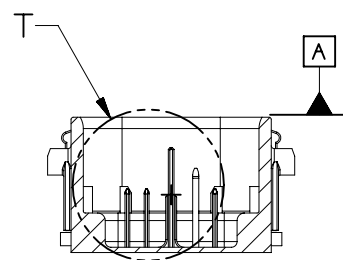
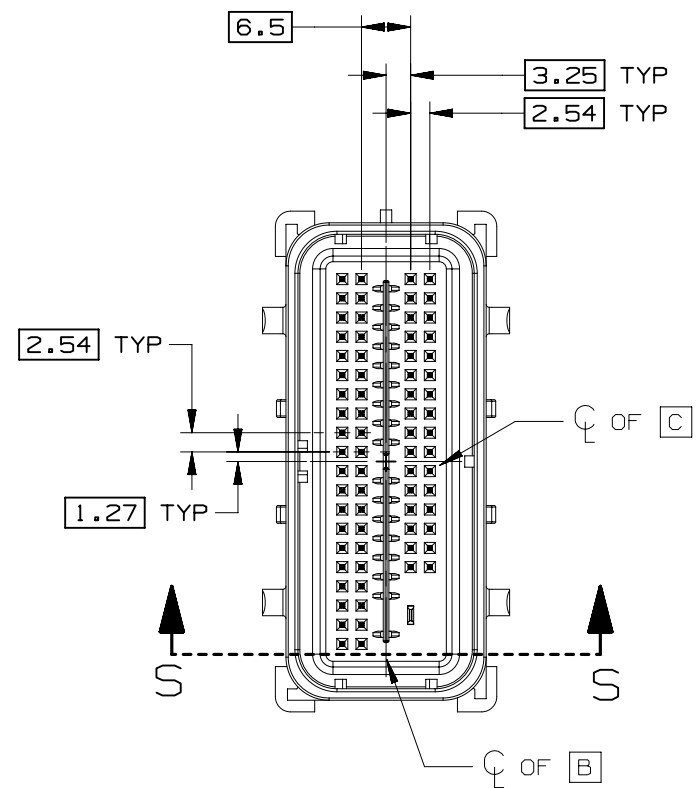
SECTION AD-AD



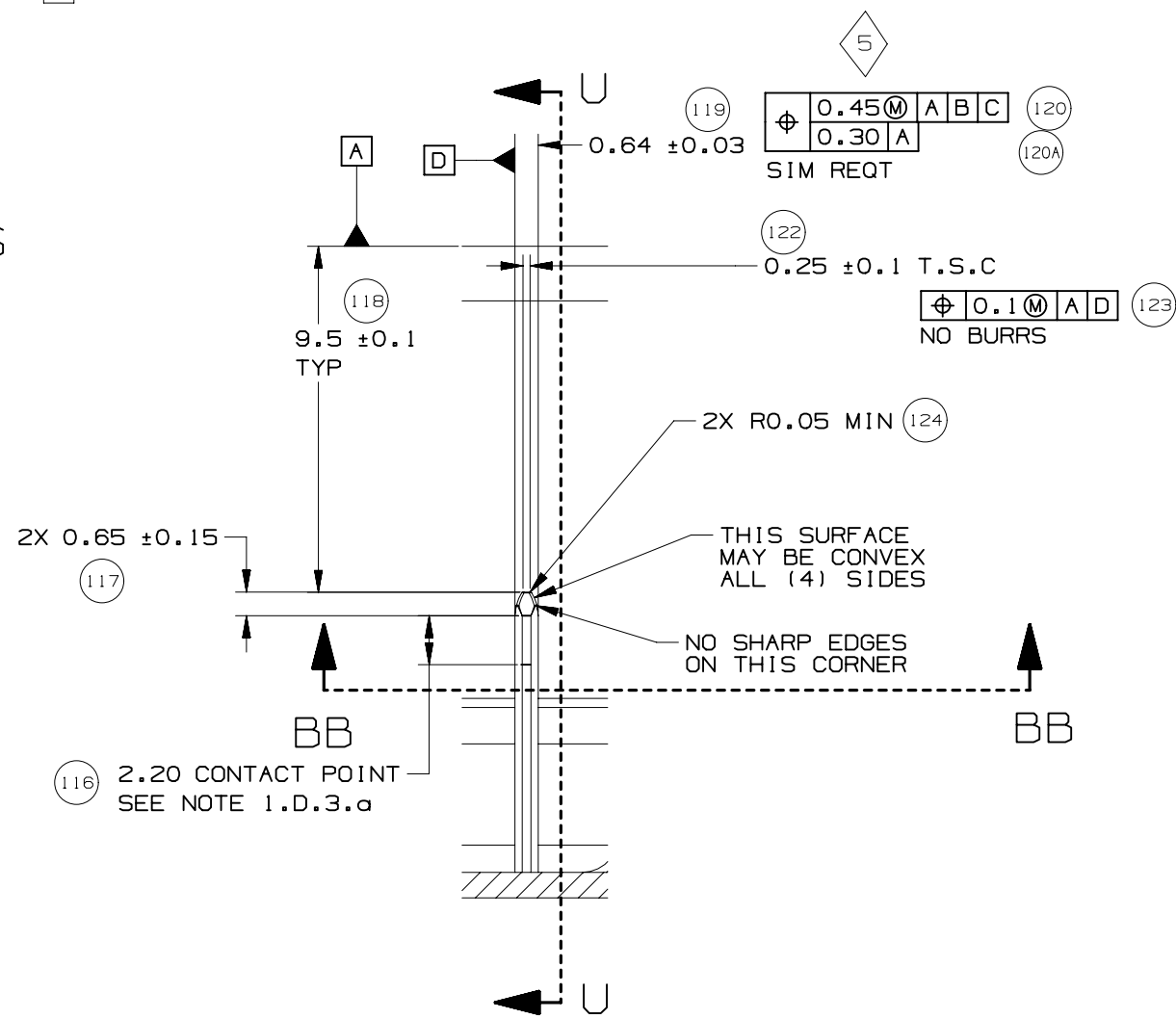


SECTION P-P

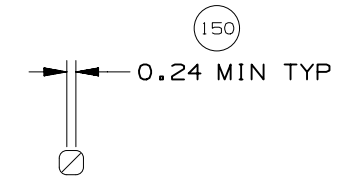




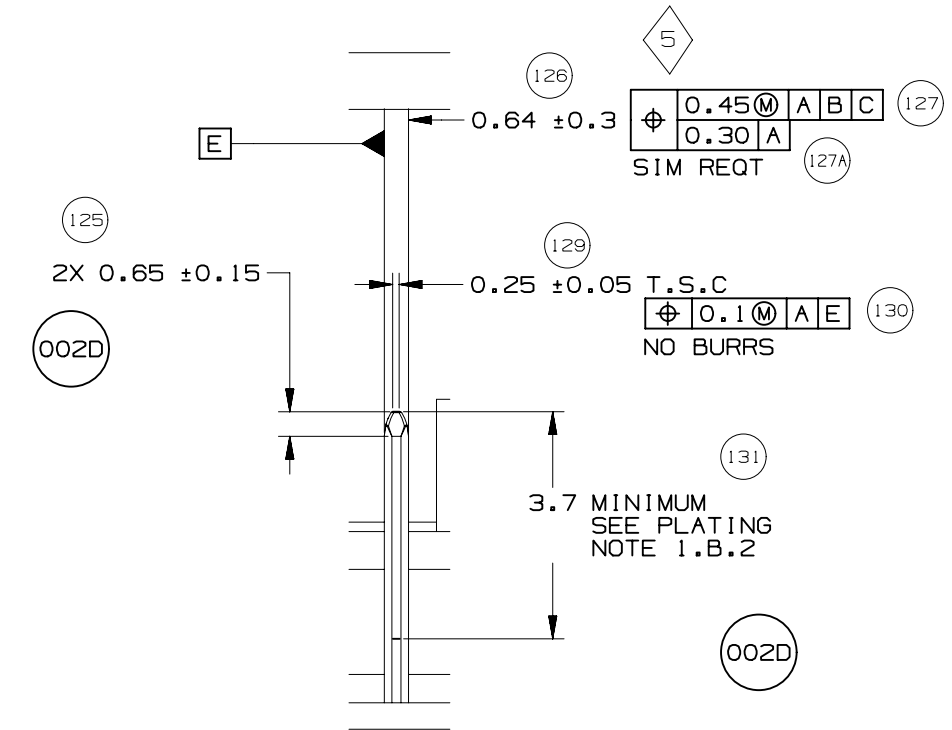
SECTION S-S



DETAIL T  
TYPICAL  
SCALE 5:1



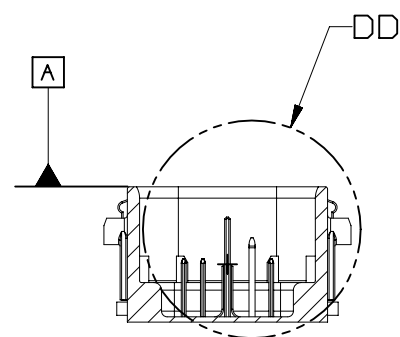
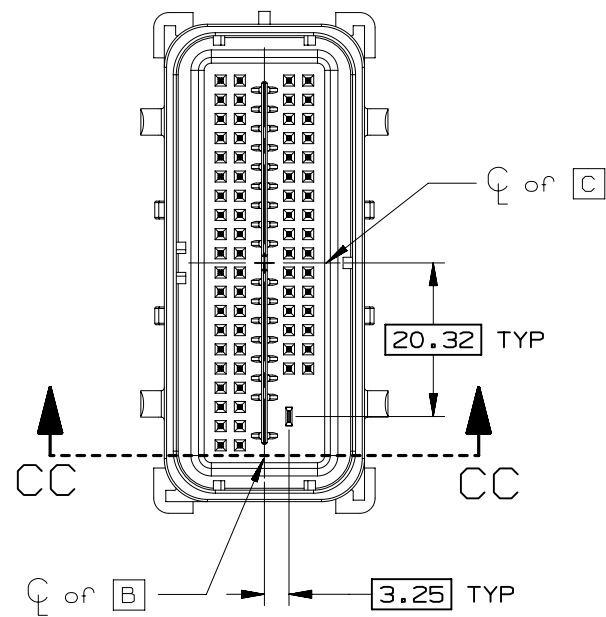
SECTION BB-BB



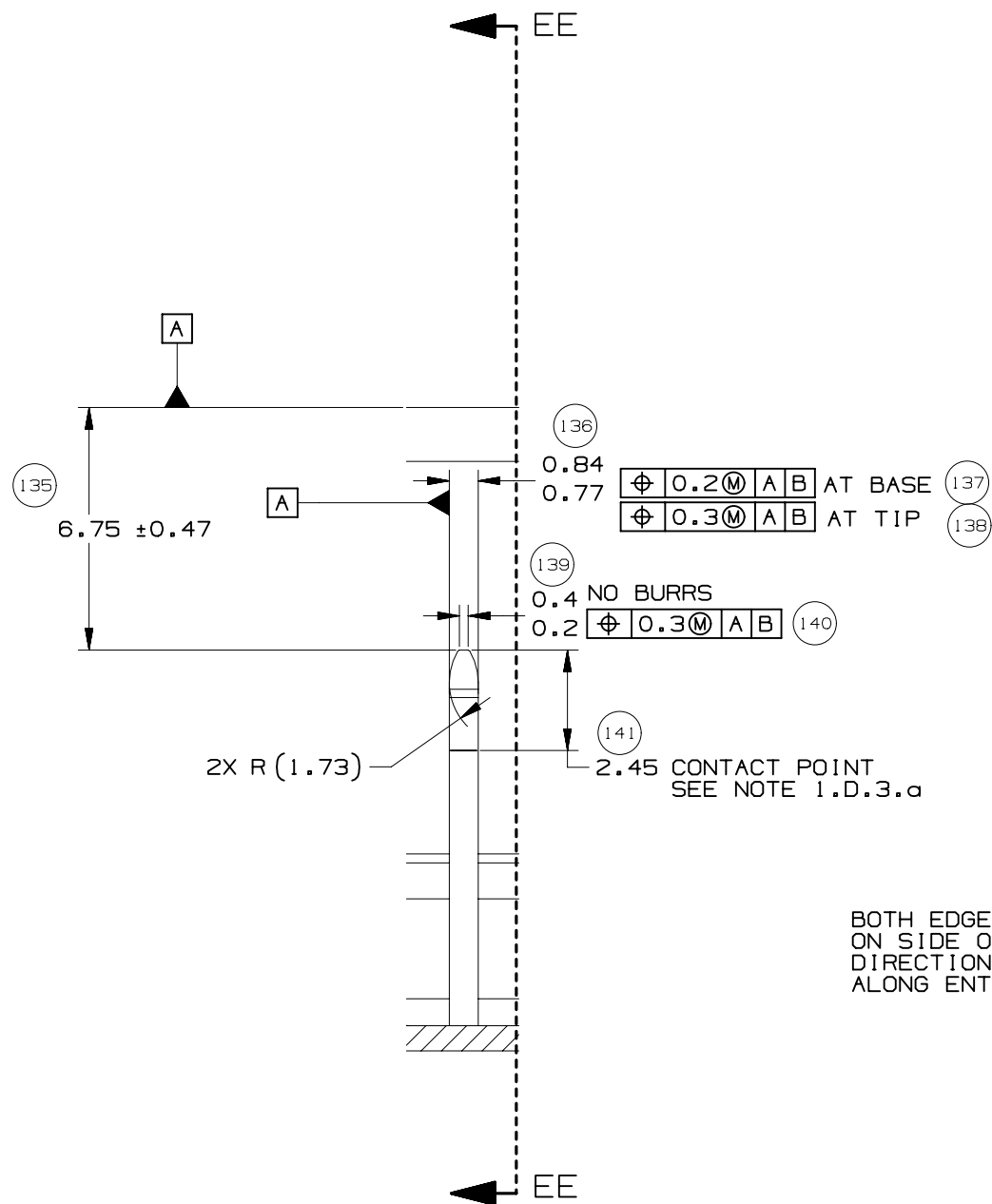
SECTION U-U



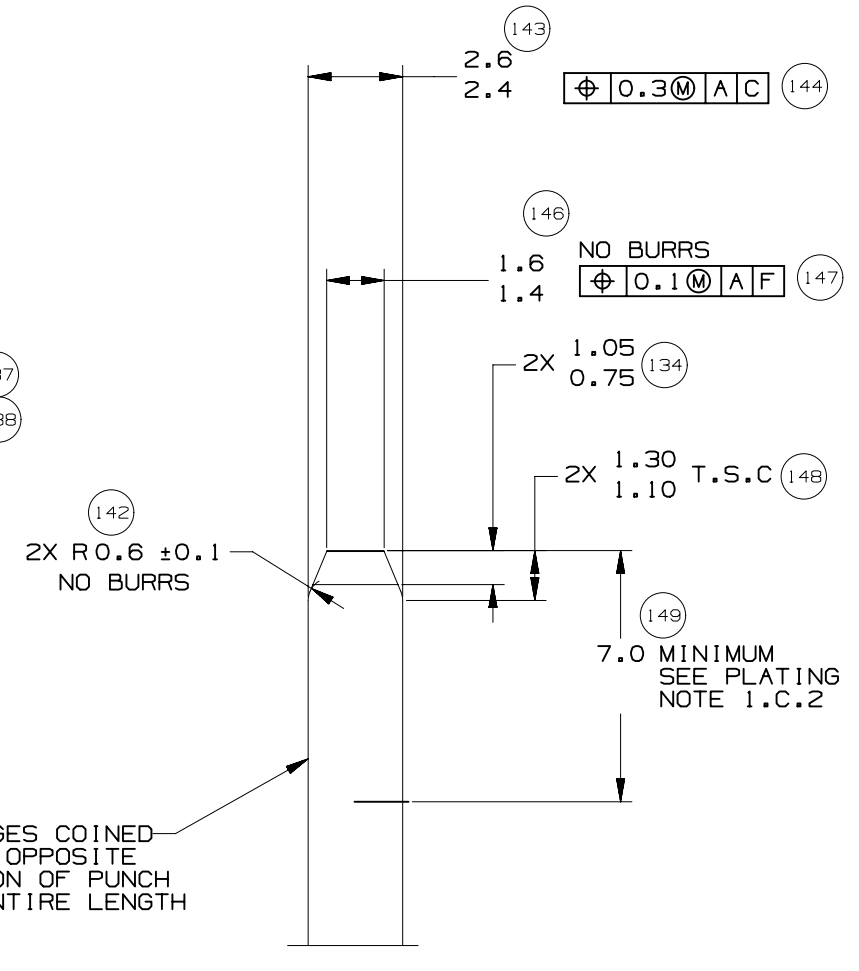




SECTION CC-CC



DETAIL DD  
TYPICAL  
SCALE 5:1

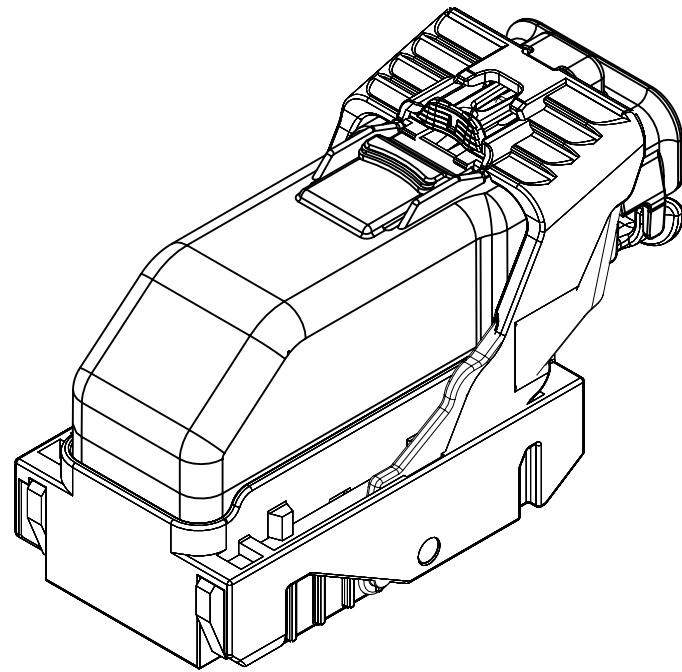


SECTION EE-EE  
TYPICAL


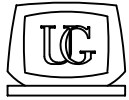
BOTH EDGES COINED  
ON SIDE OPPOSITE  
DIRECTION OF PUNCH  
ALONG ENTIRE LENGTH



INDEX	
PAGE TITLE	PAGE
TITLE BLOCK	1
REVISION BLOCK	2
PART BLOCK	3
KPC BLOCK	4
COMPONENT TABLE	5
NOTES	6
NOTES	7
WIRE DRESS PACKAGING DIMENSIONS	8
LOCATION AND PACKAGING DIMENSIONS REFERENCING INTERFACE DATUMS B & C	9
LOCATION AND PACKAGING DIMENSIONS REFERENCING INTERFACE DATUM A	10
KEY ID REF - WIRE DRESS OPTION 0	11
KEY ID REF - WIRE DRESS OPTION 9	12
CIRCUIT CONFIGURATIONS	13
CIRCUIT CONFIGURATIONS	14
COMPONENT CONNECTOR INTERFACE	15
COMPONENT CONNECTOR INTERFACE	16
COMPONENT CONNECTOR INTERFACE	17
COMPONENT CONNECTOR INTERFACE	18
COMPONENT CONNECTOR INTERFACE	19
COMPONENT CONNECTOR INTERFACE	20
COMPONENT CONNECTOR INTERFACE	21




ISO VIEW

	<p><b>UNLESS OTHERWISE SPECIFIED:</b> THIS DOCUMENT IS IN ACCORDANCE WITH ASME Y14.5M-1994 AS AMMENDED BY THE GM GLOBAL DIMENSIONING AND TOLERANCING ADDENDUM-1997. ALL GEOMETRIC TOLERANCES AND RELATED DATUMS APPLY RFS. RULE #1 (PERFECT FORM AT MMC) DOES NOT APPLY WHEN A RELATIONSHIP BETWEEN FEATURES IS ESTABLISHED BY ORIENTATION OR LOCATION TOLERANCES. SEPARATE POSITION CALLOUTS MAY BE GAGED SEPARATELY REGARDLESS OF DATUM REFERENCES.</p>			DATE
	 CHANGE RESTRICTED NO MANUAL CHANGES	REFERENCE 12H (MOLEX AUTOMOTIVE)	DRAFTER J SZYMKOWSKI APVD1 D PFAFFINGER APVD2 B BURT APVD3 APVD4 APVD5	22DE05 22DE05 22DE05    
DO NOT SCALE	DRAWING NAME			
METRIC DIMENSIONS SHOWN IN MILLIMETERS UNLESS OTHERWISE SPECIFIED	HARNES CONN ASM 66/73/80 CKTS			
	DRAWING NUMBER 12642695	DWG STATUS		PAGE NUMBER 1 OF 21
		ST	REV	
		R	002	

PAGE	DWG STATUS					REVISION HISTORY	AUTH	DR	CK	ENG
	DATE	ST	REV	CHG	PDI					
	19DE11	R	001			RELEASED TO PRODUCTION AT DLS A	CRMRJB	SC	MRO	GF
3	08MY15	R	002	A		REORDERED PART BLOCK AND ADDED MASS CORRECTED P/N TYPO FROM 12562676 TO 12582676				
3, 5		R	002	B		ADDED 12659312, 12659313, 12653574 AND 12653575				
6		R	002	C		REMOVED NOTE 1 . D . 3 . C				
20		R	002	D		DIM 125 WAS 3.25 DIM 131 WAS 5.5	CRMRJD	DFK	MRO	GF

PAGE	DWG STATUS					REVISION HISTORY	AUTH	DR	CK	ENG
	DATE	ST	REV	CHG	PDI					

	PAGE TITLE	DRAWING NUMBER	DWG STATUS			PAGE NUMBER	
	REVISION BLOCK		12642695	ST	REV	PDI	2 OF 21
				R	002		



KEY PRODUCT CHARACTERISTICS  
(IN ACCORDANCE WITH QN 1805 OR ON 1050)



SAFETY/COMPLIANCE

TOTAL ON  
DRAWING

5



FIT/FUNCTION

LAST NO.  
USED

5

NO	TYPE	DESCRIPTION	RATIONALE	PAGE/ZONE
1	F/F	32.68	IMPROVE CONNECTOR SYSTEM MATING	15
2	F/F	29.00	INSURE PROPER RELEASE OF LEVER	15
3	F/F	15.25	INSURE FINAL MATE POSITION	16
5	F/F	POSITIONAL TOLERANCE (2 PLACES)	INSURE CONNECTOR SYSTEM MATEABILITY	19



PAGE TITLE  
KPC BLOCK

DRAWING NUMBER

12642695

DWG STATUS

ST	REV	PD1
----	-----	-----

R	002	
---	-----	--

PAGE NUMBER

4 OF 21

LINE	MFG.	MFG. P/N	GM P/N	EFFECTIVE DATE	APPLICABLE COMPONENTS		KEY OPTION	WIRE DRESS OPTION	KEY CONFIG.	COLOR	STATUS
						DESCRIPTION					
-											
1	MOLEX	34565-0003	12582676	02JN03		MX123 DRESS COVER 66/73/80 CKT	N/A	N/A	N/A	BLACK	AVAILABLE
2	MOLEX	34822-0013	12642692	01SP13		MX123 HRNS CONN ASSY 66 CKT	A	0	1458	BLACK	AVAILABLE
3	MOLEX	34822-0033	12659312	01SP13		MX123 HRNS CONN ASSY 66 CKT	C	0	2467	BLUE	AVAILABLE
4	MOLEX	34822-0023	12642693	01SP13		MX123 HRNS CONN ASSY 66 CKT	A	9	1458	BLACK	AVAILABLE
5	MOLEX	34822-0043	12659313	01SP13		MX123 HRNS CONN ASSY 66 CKT	C	9	2467	BLUE	AVAILABLE
6	MOLEX	34566-0103	12582677	11JN04		MX123 HRNS CONN ASSY 73 CKT	A	0	1458	BLACK	AVAILABLE
7	MOLEX	34566-0203	12582678	11JN04		MX123 HRNS CONN ASSY 73 CKT	B	0	1468	ST GRAY	AVAILABLE
8	MOLEX	34566-0303	12615654	09AP08		MX123 HRNS CONN ASSY 73 CKT	C	0	2467	BLUE	AVAILABLE
9	MOLEX	34566-0403	12647268	T.B.D		MX123 HRNS CONN ASSY 73 CKT	D	0	2367	BROWN	NOT ACTIVE
10	MOLEX	34566-0503	AMJ28633	T.B.D		MX123 HRNS CONN ASSY 73 CKT	E	0	2468	GREEN	NOT ACTIVE
11	MOLEX	34566-0603	12653574	05DC14		MX123 HRNS CONN ASSY 73 CKT	F	0	1357	NATURAL	AVAILABLE
12	MOLEX	34566-0703	12588057	09AP08		MX123 HRNS CONN ASSY 80 CKT	G	0	1358	BLUE	AVAILABLE
13	MOLEX	34566-0803	12588058	11JN04		MX123 HRNS CONN ASSY 80 CKT	H	0	2458	ST GRAY	AVAILABLE
14	MOLEX	34566-0903	12615656	T.B.D		MX123 HRNS CONN ASSY 80 CKT	J	0	2457	BLACK	NOT ACTIVE
15	MOLEX	34566-1003	AMJ28595	T.B.D		MX123 HRNS CONN ASSY 80 CKT	K	0	2357	BROWN	NOT ACTIVE
16	MOLEX	34566-1103	AMJ29057	T.B.D		MX123 HRNS CONN ASSY 80 CKT	L	0	2368	GREEN	NOT ACTIVE
17	MOLEX	34566-1203	AMJ28669	T.B.D		MX123 HRNS CONN ASSY 80 CKT	M	0	2358	NATURAL	NOT ACTIVE
18	MOLEX	34566-1303	12603596	11JN04		MX123 HRNS CONN ASSY 73 CKT	A	9	1458	BLACK	AVAILABLE
19	MOLEX	34566-1403	12603597	11JN04		MX123 HRNS CONN ASSY 73 CKT	B	9	1468	ST GRAY	AVAILABLE
20	MOLEX	34566-1503	12615655	09AP08		MX123 HRNS CONN ASSY 73 CKT	C	9	2467	BLUE	AVAILABLE
21	MOLEX	34566-1603	12647269	T.B.D		MX123 HRNS CONN ASSY 73 CKT	D	9	2367	BROWN	NOT ACTIVE
22	MOLEX	34566-1703	AMJ28698	T.B.D		MX123 HRNS CONN ASSY 73 CKT	E	9	2468	GREEN	NOT ACTIVE
23	MOLEX	34566-1803	12653575	05DC14		MX123 HRNS CONN ASSY 73 CKT	F	9	1357	NATURAL	AVAILABLE
24	MOLEX	34566-1903	12603598	09AP08		MX123 HRNS CONN ASSY 80 CKT	G	9	1358	BLUE	AVAILABLE
25	MOLEX	34566-2003	12603599	11JN04		MX123 HRNS CONN ASSY 80 CKT	H	9	2458	ST GRAY	AVAILABLE
26	MOLEX	34566-2103	12615657	T.B.D		MX123 HRNS CONN ASSY 80 CKT	J	9	2457	BLACK	NOT ACTIVE
27	MOLEX	34566-2203	AMJ29117	T.B.D		MX123 HRNS CONN ASSY 80 CKT	K	9	2357	BROWN	NOT ACTIVE
28	MOLEX	34566-2303	AMJ29136	T.B.D		MX123 HRNS CONN ASSY 80 CKT	L	9	2368	GREEN	NOT ACTIVE
29	MOLEX	34566-2403	AMJ29214	T.B.D		MX123 HRNS CONN ASSY 80 CKT	M	9	2358	NATURAL	NOT ACTIVE
30	MOLEX	34736-2002	12642697	01AU10		MX64 RCPT TERM Ag 18/20 GAGE B (RIGHT PAYOFF)	N/A	N/A	N/A	N/A	AVAILABLE
31	MOLEX	34736-2001	12642696	01AU10		MX64 RCPT TERM Ag 22 GAGE B (RIGHT PAYOFF)	N/A	N/A	N/A	N/A	AVAILABLE
32	MOLEX	34586-0001	T.B.D.	11JN04		MX123 0.64MM GROMMET PLUG	N/A	N/A	N/A	NATURAL	AVAILABLE
33	YAZAKI	7116-4150-02	12588066	02JN03		2.8mm YESC SEALED FEMALE TERMINAL TIN 20/22 GAGE (CABLE RANGE 0.30mm-0.60mm)	N/A	N/A	N/A	N/A	NOT ACTIVE
34	YAZAKI	7116-4151-02	12588067	02JN03		2.8mm YESC SEALED FEMALE TERMINAL TIN 16/18 GAGE (CABLE RANGE 0.75mm-1.40mm)	N/A	N/A	N/A	N/A	NOT ACTIVE
35	YAZAKI	7116-4152-02	12582685	02JN03		2.8mm YESC SEALED FEMALE TERMINAL TIN 14 GAGE (CABLE RANGE 1.50mm-2.50mm)	N/A	N/A	N/A	N/A	AVAILABLE
36	YAZAKI	7158-3111-60	12588068	02JN03		2.8mm CABLE SEAL (wire O.D. range 1.20mm-1.90mm)	N/A	N/A	N/A	GREEN	NOT ACTIVE
37	YAZAKI	7158-3112-70	12588069	02JN03		2.8mm CABLE SEAL (wire O.D. range 1.80mm-2.30mm)	N/A	N/A	N/A	YELLOW	NOT ACTIVE
38	YAZAKI	7158-3113-40	12582686	02JN03		2.8mm CABLE SEAL (wire O.D. range 2.18mm-3.00mm)	N/A	N/A	N/A	WHITE	AVAILABLE
39	YAZAKI	7158-3114-90	T.B.D	02JN03		2.8mm YESC CAVITY PLUG	N/A	N/A	N/A	BLUE	AVAILABLE
40	MOLEX	63811-4200	XX019825	02JN03		MX64 TERM HAND CRIMP TOOL	N/A	N/A	N/A	N/A	AVAILABLE
41	MOLEX	63813-1400	XX019826	02JN03		MX64 TERM SERVICE TOOL	N/A	N/A	N/A	N/A	AVAILABLE
42	MOLEX	63865-8000	XX019827	02JN03		MX64 CRIMP APPLICATOR with TOOL KIT 18/20 GAGE PAYOFF DIRECTION D (left payoff) (contact Molex for payoff detail)	N/A	N/A	N/A	N/A	AVAILABLE
43	MOLEX	63865-8070	XX019828	02JN03		MX64 APPLICATOR TOOL KIT 18/20 GAGE	N/A	N/A	N/A	N/A	AVAILABLE
44	MOLEX	63865-8100	XX019829	02JN03		MX64 CRIMP APPLICATOR with TOOL KIT 22 GAGE PAYOFF DIRECTION D (left payoff) (contact Molex for payoff detail)	N/A	N/A	N/A	N/A	AVAILABLE
45	MOLEX	63865-8170	XX019830	02JN03		MX64 APPLICATOR TOOL KIT 22 GAGE	N/A	N/A	N/A	N/A	AVAILABLE
46	SPX	J35616-64	T.B.D.	02JN03		0.64mm PROBE TOOL (for rcpt)	N/A	N/A	N/A	N/A	AVAILABLE
47	SPX	J35616-64A	T.B.D.	02JN03		0.64mm PROBE TOOL WITH EXT (for rcpt)	N/A	N/A	N/A	N/A	AVAILABLE
48	SPX	J35616-65	T.B.D.	02JN03		0.64mm PROBE TOOL WITH EXT (for pin)	N/A	N/A	N/A	N/A	AVAILABLE
49	SPX	J35616-4A	T.B.D.	02JN03		2.8mm PROBE TOOL (for rcpt)	N/A	N/A	N/A	N/A	AVAILABLE
50	YAZAKI	X39899-J374	12094430	02JN03		2.8mm TERM SERVICE TOOL	N/A	N/A	N/A	N/A	AVAILABLE

002B

\* - MX123 DRESS COVER 73/80/66 CKT MATES TO ANY MX123 HARN CONN ASSY SHOWN ON TABLE ABOVE



PAGE TITLE  
COMPONENT TABLE

DRAWING NUMBER  
12642695

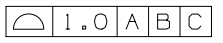
DWG STATUS			PAGE NUMBER
ST	REV	PD1	
R	002		5 OF 21

NOTES: UNLESS OTHERWISE SPECIFIED

1. MATERIAL FOR INTERFACE:

- A. RESIN:
  - 1. 30% G.F. PBT; 20% MAX. (BY WEIGHT) REGRIND.
  - 2. MATING CONNECTOR INTERFACE PART COLOR MUST BE SAME AS MATCHING KEYED HARNESS CONNECTOR ASSEMBLY.
  - 3. MUST BE VALIDATED FOR INDIVIDUAL DEVICE APPLICATION REQUIREMENTS.
- B. 0.64MM PINS:
  - 1. BASE MATERIAL: COPPER ALLOY; CONDUCTIVITY >= 28% IACS AT 20°C; TENSILE STRENGTH >= 635 N/mm<sup>2</sup>; SURFACE ROUGHNESS R<sub>a</sub> 6 MAX.
  - 2. PLATING FINISH: SILVER (Ag). PLATING TO BE 1.9-3.3 μm ELECTRODEPOSITED SEMI-BRIGHT SILVER OVER 1.25-2.25 μm DUCTILE SULPHAMATE NICKEL PER NOTE 1(D).
  - 3. ANTI-TARNISH: SYNTHETIC HYDROCARBON CONTACT SURFACE FINISH OR EQUIVALENT APPLIED WITHOUT VOID TO CONTACT AREA (MIN 3.7mm FROM PIN TIP).
- C. 2.8MM BLADE:
  - 1. BASE MATERIAL: COPPER ALLOY; CONDUCTIVITY >= 28% IACS AT 20°C; TENSILE STRENGTH >= 350 N/mm<sup>2</sup>; SURFACE ROUGHNESS R<sub>a</sub> 6 MAX.
  - 2. PLATING FINISH: TIN. PLATING TO BE 2.5-5.0 μm ELECTRODEPOSITED TIN, MATTE FINISH OVER 1.25-2.5 μm DUCTILE SULPHAMATE NICKEL PER NOTE 1(D).
- D. PLATING REQUIREMENTS:
  - 1. SILVER PLATING
    - a. 99.5% PURE SEMI-BRIGHT WITH NO ORGANIC BRIGHTNERS OR CHROMATES.
  - 2. NICKEL PLATING
    - a. ELECTRODEPOSITED DUCTILE SULFAMATE NICKEL WITH A NON-BRIGHTENED FINISH. NO ORGANIC OR BRIGHTENING AGENTS SHALL BE ALLOWED.
    - b. SHALL ONLY BE USED AS AN UNDERLYING PLATING AND MAY NOT BE USED AS AN ELECTRICAL CONTACT SURFACE PLATING.
    - c. SHALL BE NODULE FREE WHEN VIEWED AT 10X MAGNIFICATION IN MEASURED IN CONTACT SURFACE AREA PLUS 0.5MM PERIMETER AROUND THE CONTACT SURFACE AREA.
    - d. ALL PLATINGS SHALL HAVE A 1.0% MAXIMUM BY WEIGHT IMPURITIES. IMPURITIES ARE DEFINED AS ALL ELEMENTS NOT THE PRIMARY PLATING OR HARDENING AGENT IF APPLICABLE, AS DETERMINED BY WET CHEMICAL ANALYSIS OR AUGER METHOD. NO SINGLE IMPURITY SHALL EXCEED 0.1% MAXIMUM BY WEIGHT.
  - 3. TESTING
    - a. THICKNESS TO BE MEASURED IN CONTACT SURFACE AREA PLUS 0.5MM PERIMETER AROUND THE CONTACT SURFACE AREA AS DESIGNATED IN THE DRAWING. THICKNESS SHALL BE DETERMINED BY METHOD OF X-RAY (XRF).
    - b. PLATING ADHESION SHALL BE TESTED BY A BEND TEST FOR ALL METALS. THE TEST SAMPLE SHALL BE BENT 90 DEGREES TO DETERMINE DEPOSIT ADHESION. TESTING SHALL BE COMPLETED IN ACCORDANCE WITH ASTM SPEC B571.


2. DESIGN - GENERAL:

- A. THIS IS A 100% CAD GENERATED PART. THE CAD MATHEMATICAL DATA IS THE MASTER FOR THIS PART. FOR DIMENSIONAL OR ANY INFORMATION NOT SHOWN ON THIS DRAWING, ANALYZE THE CAD MODEL.
- B. TOLERANCES:
  - 1. LINEAR
    - 0.X ± 0.30
    - 0.XX ± 0.10
    - 0.XXX ± 0.10
  - 2. ANGULAR X° ± 3°
  - 3. 
- C. MINIMUM WALL THICKNESS REQUIRED: 1.3mm.
- D. CORNERS SHOWN AS SHARP TO BE R 0.2 MAX.
- E. LETTERING SHALL BE 0.15 MAX RAISED IN 0.20 MAX RECESS PAD. THIS INCLUDES MATERIAL CODE, RECYCLING CODE, CAVITY ID AND DATE CODE.
- F-1. PARTS MUST BE FREE OF DISCOLORATION, SALT RESIDUE AND OTHER IMPERFECTIONS THAT AFFECT FIT OR FUNCTION.
- F-2. SCRATCHES OR DENTS NOT TO EXCEED 0.013mm IN DEPTH.
- G. FOLLOWING PRODUCTION CODES TO BE PERMANENTLY MARKED & HUMAN READABLE TO A LETTER HEIGHT OF 1.5 ± 0.5MM X 0.3 MAX DEEP
  - 1. MATERIAL #: XXXXX-XXXX
  - 2. DATE CODE: JJYY (JULIAN DAY, LAST DIGIT OF YEAR)
  - 3. INSPECTION MACHINE CODE + SERIAL #: X\_XXXXX

3. DESIGN - MANUFACTURING:

- A. DRAFT TO BE WITHIN TOLERANCE.
- B. ALLOWABLE FLASH MAX 0.2 HIGH X MAX 0.13 THICK.
- C. ALLOWABLE PARTING LINE MISMATCH 0.2 MAX.
- D. EJECTOR PINS MARK TO BE FLUSH TO 0.25 MAX DEPRESSED.
- E. ALLOWABLE GATE VESTIGE FLUSH TO 0.25 MAX PROTRUSION.
- F. NO EXTERNAL MOLD RELEASE AGENT ALLOWED DURING MANUFACTURING.
- G. STEEL THAT FORMS THE INDICATED SURFACE MUST BE POLISHED WITH A DIAMOND FINISH (SPI A-2) OVER THE FULL PERIPHERY OF THE TOOL. SURFACE MUST HAVE NO MISMATCH.
- H. ANY PROCESS LUBRICANT REMAINING ON THE TERMINAL MUST NOT VARNISH OR DEGRADE IT'S ELECTRICAL PERFORMANCE UP TO A MAXIMUM CLASS AMBIENT TEMPERATURE PER SAE USCAR-2 FOR 1008 HOURS. PROCESS LUBRICANTS SHOULD BE APPROVED BY THE RESPONSIBLE ENGINEER.
- J. OPTIONAL FEATURES PROVIDED FOR AUTOMATION.
- K. PART MUST BE FREE FROM BURRS AND SHARP EDGES, WHICH MIGHT BE DETRIMENTAL TO SATISFACTORY ASSEMBLY, SAFE HANDLING OR FUNCTION OF PART.
- L. PARTS AS DELIVERED TO ASSEMBLY SHALL BE CLEAN AND FREE OF DEBRIS, RESIDUAL ABRASIVE MATERIAL AND CORROSION PRODUCTS ADVERESLY AFFECTING FUNCTION OR APPEARENCE.
- M. RESTRICTED AND REPORTABLE SUBSTANCES FOR PARTS PER GMW3059.

002C

	PAGE TITLE	DRAWING NUMBER	DWG STATUS			PAGE NUMBER	
	NOTES		12642695	ST	REV	PDI	6 OF 21
				R	002		

NOTES: UNLESS OTHERWISE SPECIFIED

4. SYSTEM REQUIREMENTS:

- A. HARNESS CONNECTOR IS COMPATIBLE WITH THE FOLLOWING SAE WIRE SIZE NO'S:
  - 14, MEETING SAE J1128
  - 18, MEETING SAE J1128, MAX O.D. OF 2.06 MM
  - 20, MEETING SAE J1128
  - 22, MEETING SAE J1128, MIN O.D. OF 1.47 MM
- B. CABLE TIE SPECIFICATIONS:
  - 1. CABLE TIE:
    - TENSILE RATING: 220N / (50lbs) MIN
    - TIE LENGTH: 186mm MIN
    - TIE WIDTH: 4.75mm MAX
    - MATERIAL: NYLON
  - 2. INSTALLATION:
    - CABLE TIE TENSION: 190N MIN
  - 3. DRESSED WIRE BUNDLE PACKAGING: SEE FIG. 1
- C. WHEN MATED WITH COMPONENT CONNECTOR INTERFACE AND/OR DRESS COVER, HARNESS CONNECTOR SYSTEM CONFORMS TO THE FOLLOWING:
  - 1. SAE/USCAR-2, REV: 3 APRIL, 2001; CLASS 3
  - 2. FIELD CORRELATED LIFE TEST, SAE/USCAR-20, NOV. 2001
  - 3. GMW #3191 AUGUST 22, 2000 (DRAFT); TEMPERATURE CLASS 3, SEALING CLASS 1, VIBRATION CLASS 2
  - 4. RESTRICTED AND REPORTABLE CHEMICALS PER GMW #3059, REV: D AUGUST 2002
  - 5. TPA USER FORCES (FULLY POPULATED WITH TERMINALS)
    - a. REMOVAL FROM LOCK TO PRE-SET: <=120N
- D. WIRE SPECIFICATIONS:
  - 1. WIRE SURFACE MUST BE FREE OF SCRATCHES, GROOVES OR DENTS WHERE FUNCTIONAL

5. TERMINAL CURRENT RATINGS:

ALL TESTING DONE IN ACCORDANCE WITH USCAR-2 REV5 SECTION 5.3

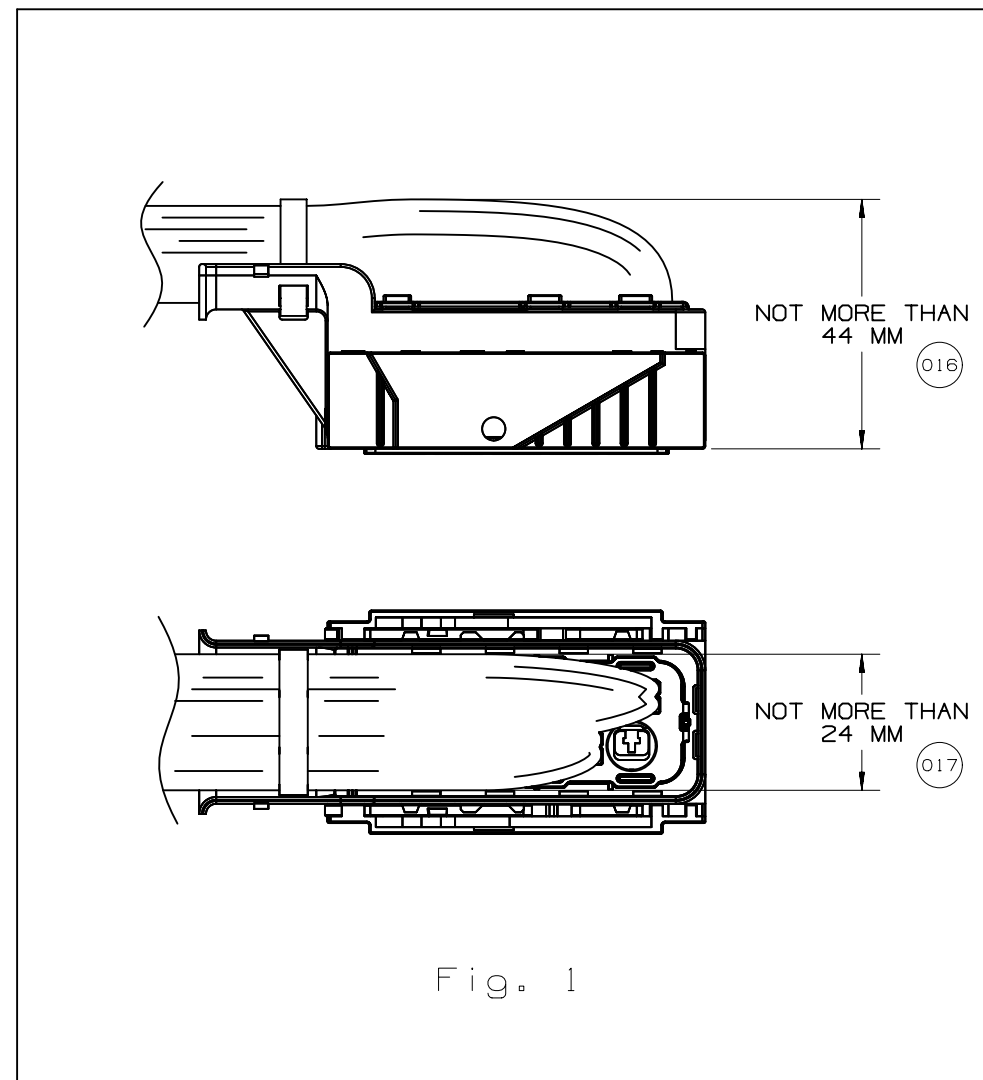
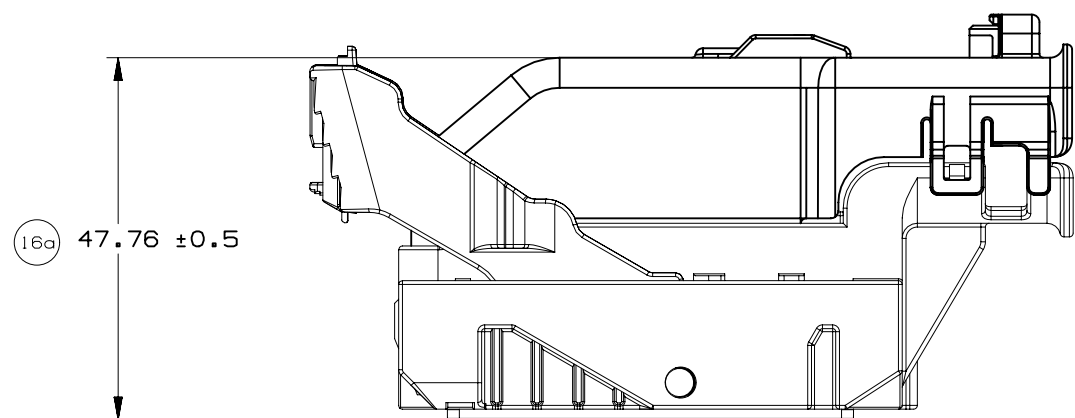
- A. MX64 RCPT TERM
  - 1. MX64 RCPT TERM Ag 18/20 GAGE CRIMPED TO SAE WIRE SIZE NO.18 AND MATED TO MX123 0.64MM PIN: 11.3 AMPS
  - 2. MX64 RCPT TERM Ag 22 GAGE CRIMPED TO SAE WIRE SIZE NO.22 AND MATED TO MX123 0.64MM PIN:8.5 AMPS

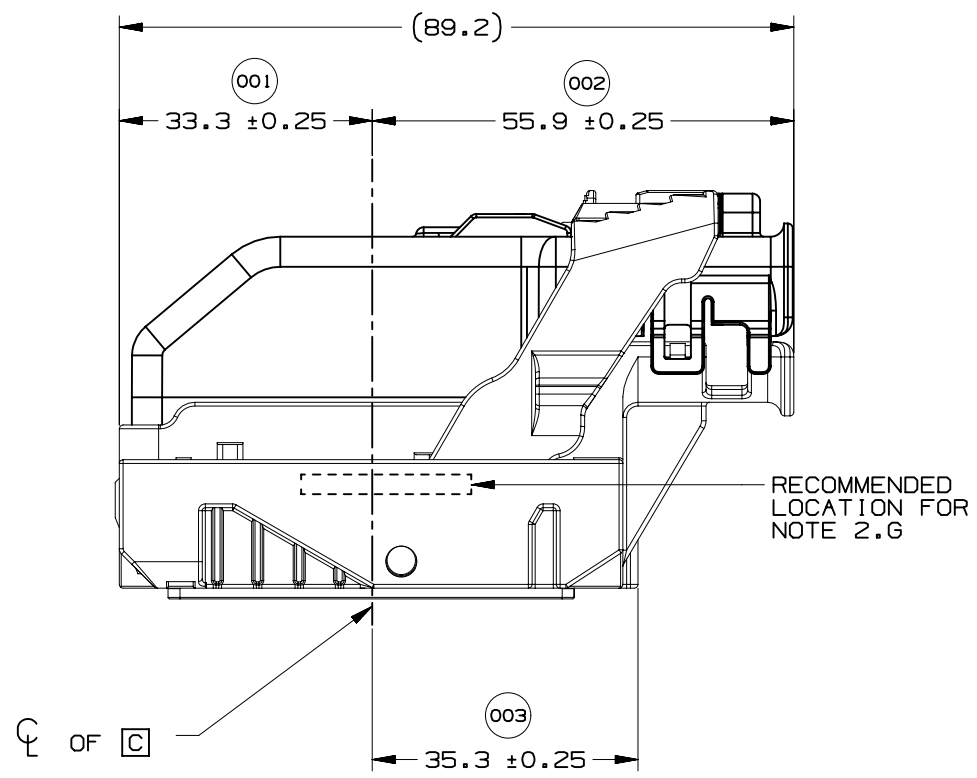
WIRE	CURRENT RATING			
	23°C	85°C	105°C	125°C
18AWG	11.3A	11.3A	9.5A	6.6A
20AWG	10.0A	10.0A	8.3A	5.7A
22AWG	8.6A	8.6A	7.1A	5.0A

- B. 2.8MM RCPT TERM
  - 1. 2.8MM RCPT TERM TIN 14 GAGE CRIMPED TO SAE WIRE SIZE NO.14 AND MATED TO MX123 2.8MM BLADE: 25.6 AMPS

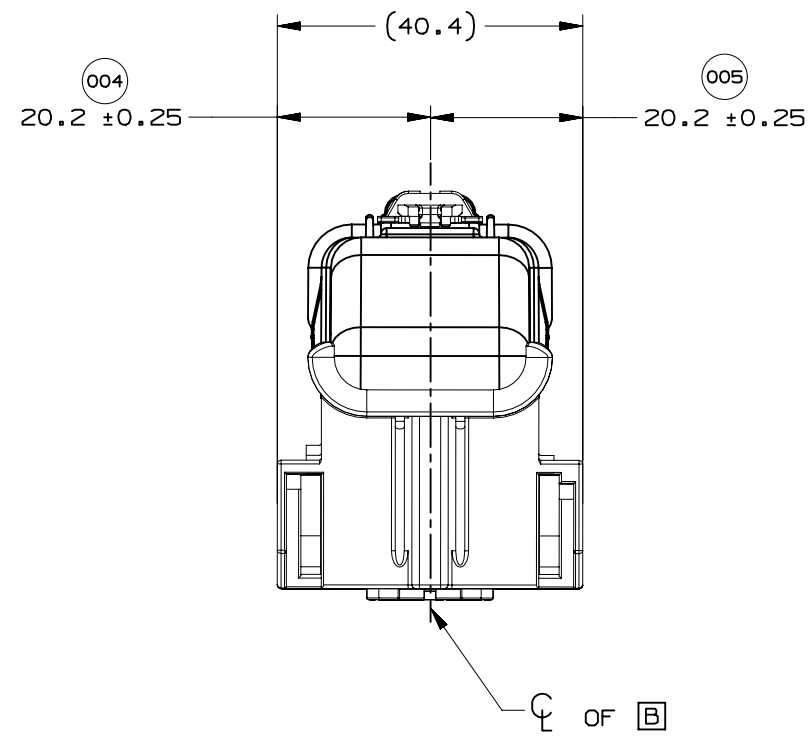
6. CONTACT MOLEX AUTOMOTIVE FOR AVAILABLE CUSTOM PATTERNS OF CAVITIES OPEN FOR CIRCUITS



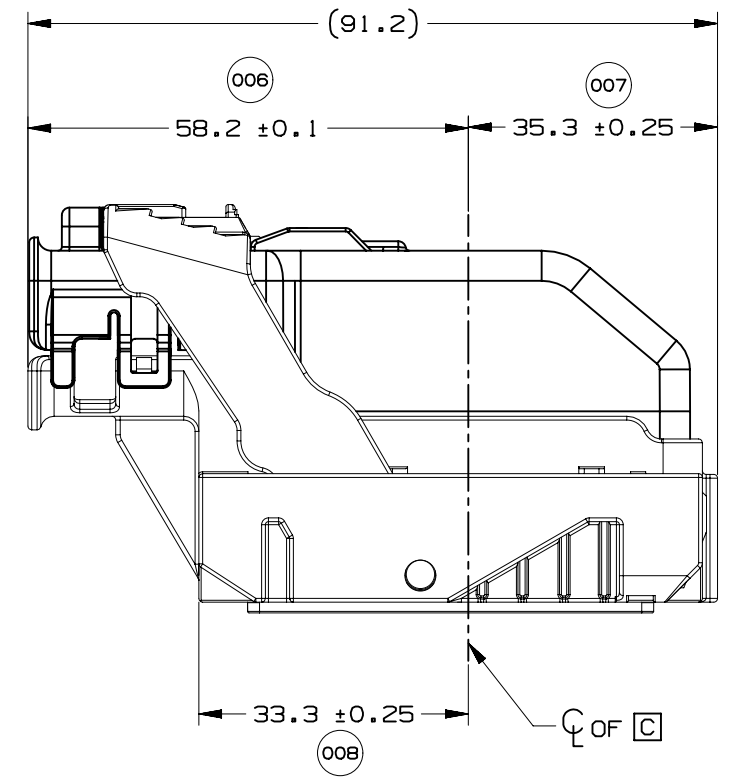




WIRE DRESS OPTION 0 SHOWN

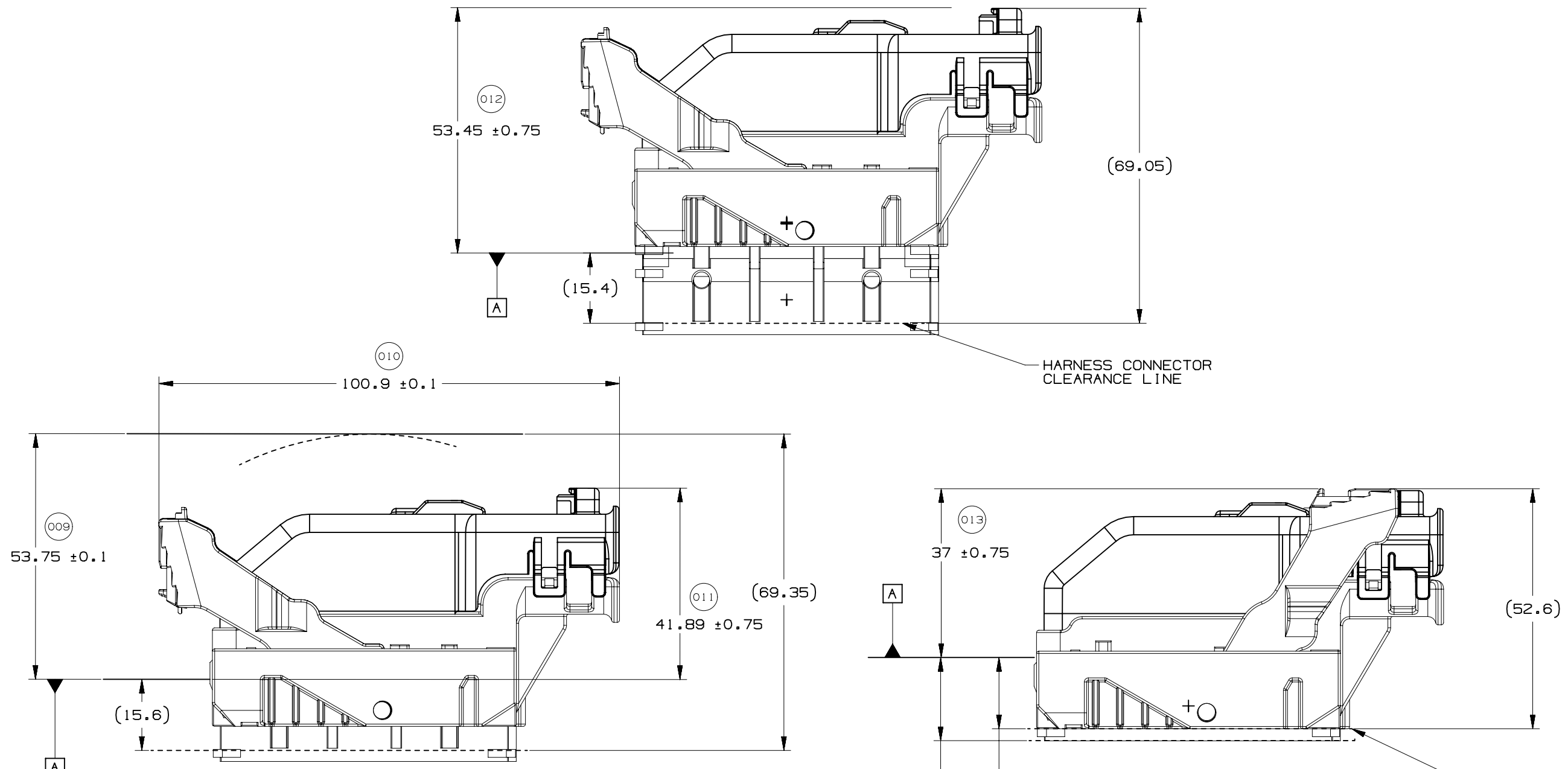


WIRE DRESS OPTION 0 SHOWN



WIRE DRESS OPTION 9 SHOWN





HARNESS CONNECTOR CLEARANCE LINE

HARNESS CONNECTOR ASSEMBLY IN FULLY-MATED POSITION

HARNESS CONNECTOR CLEARANCE LINE

15.6 MIN. ALL AROUND CLEARANCE REQUIRED FOR HARNESS CONNECTOR (014)

17.9 MIN. AT PAD LOCATION CLEARANCE REQUIRED FOR HARNESS CONNECTOR CONSTRUCTION BELOW THIS PLANE IS NOT CONTROLLED (015)

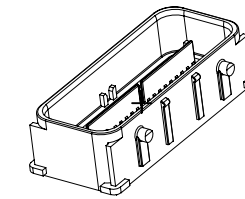
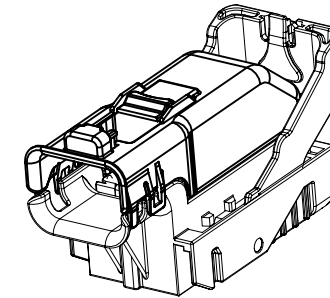
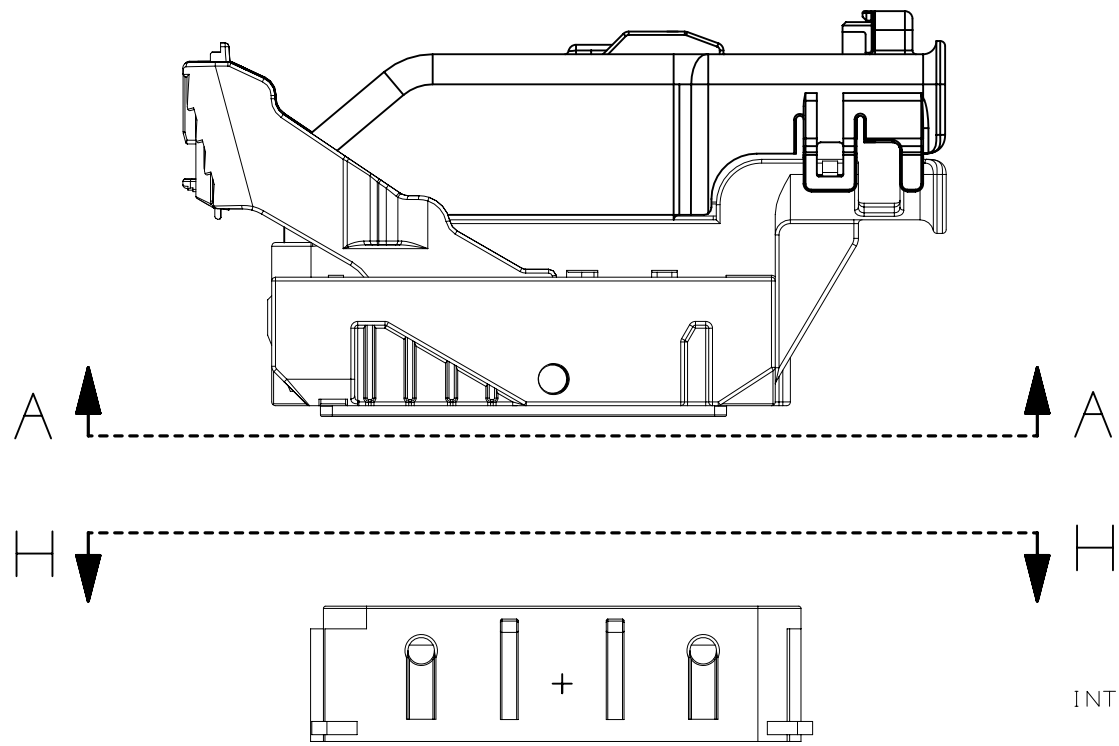


PAGE TITLE  
 LOCATION AND PACKAGING DIMENSIONS  
 REFERENCING INTERFACE DATUM A

DRAWING NUMBER  
 12642695

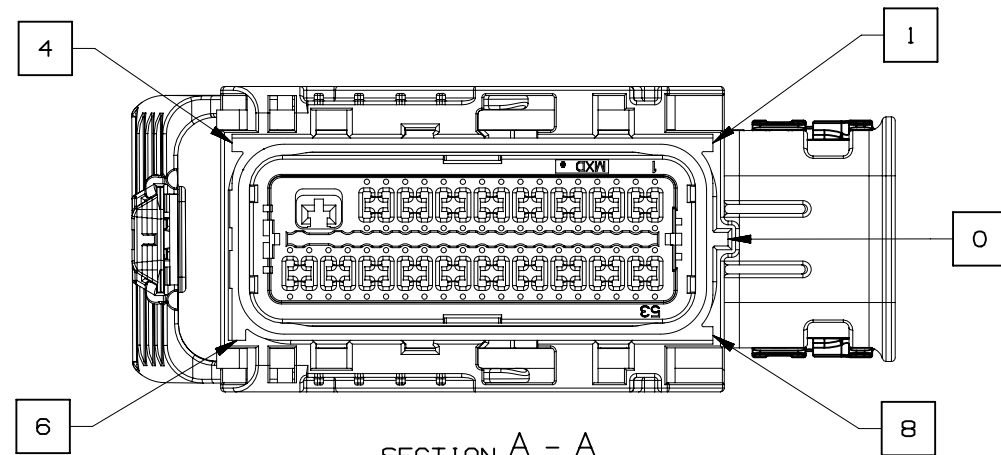
DWG STATUS		
ST	REV	PD1
R	002	

PAGE NUMBER  
 10 OF 21

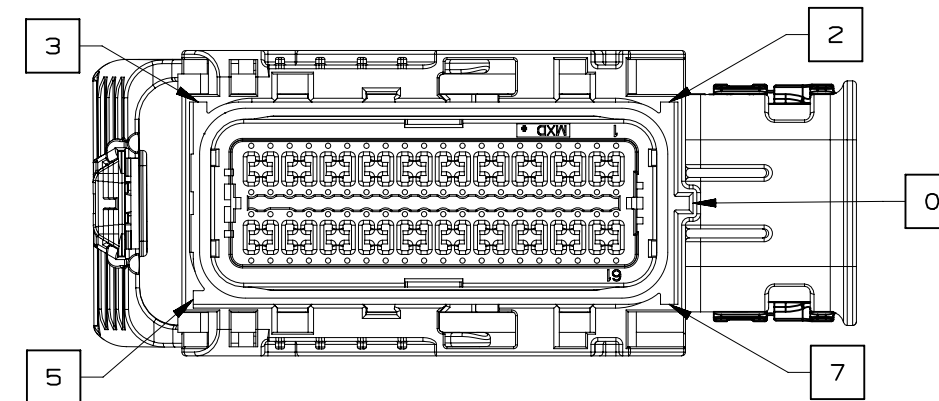


NOTE: REFERENCE THE COMPONENT TABLE FOR KEY OPTIONS AND CONFIGURATIONS

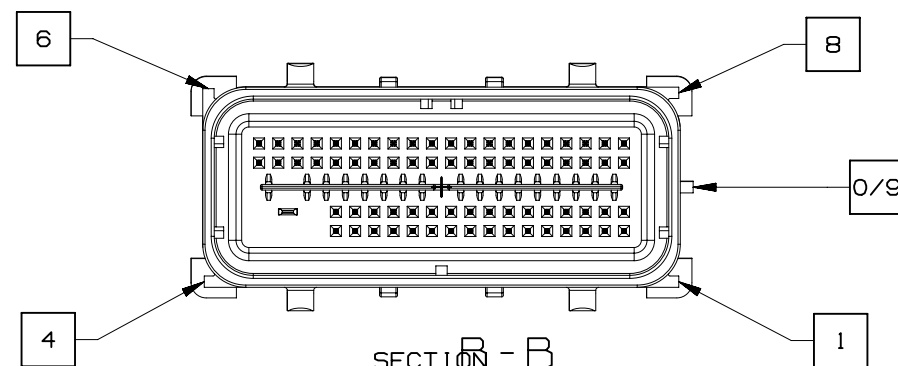
INTERFACE SIDE SHOWN ON ALL SECTION VIEWS



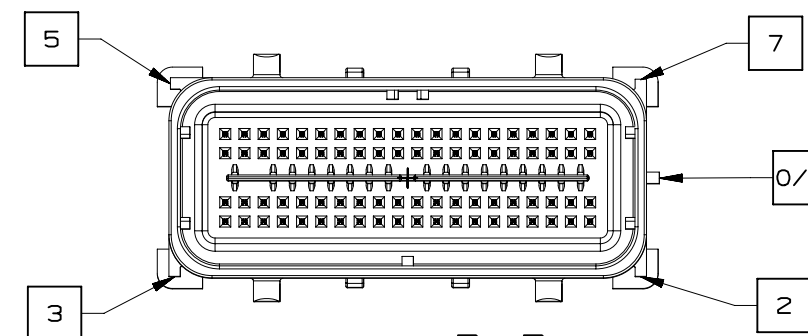
SECTION A - A  
KEY OPTION B SHOWN



SECTION A - A  
KEY OPTION K SHOWN



SECTION B - B  
KEY OPTION B SHOWN



SECTION B - B  
KEY OPTION K SHOWN

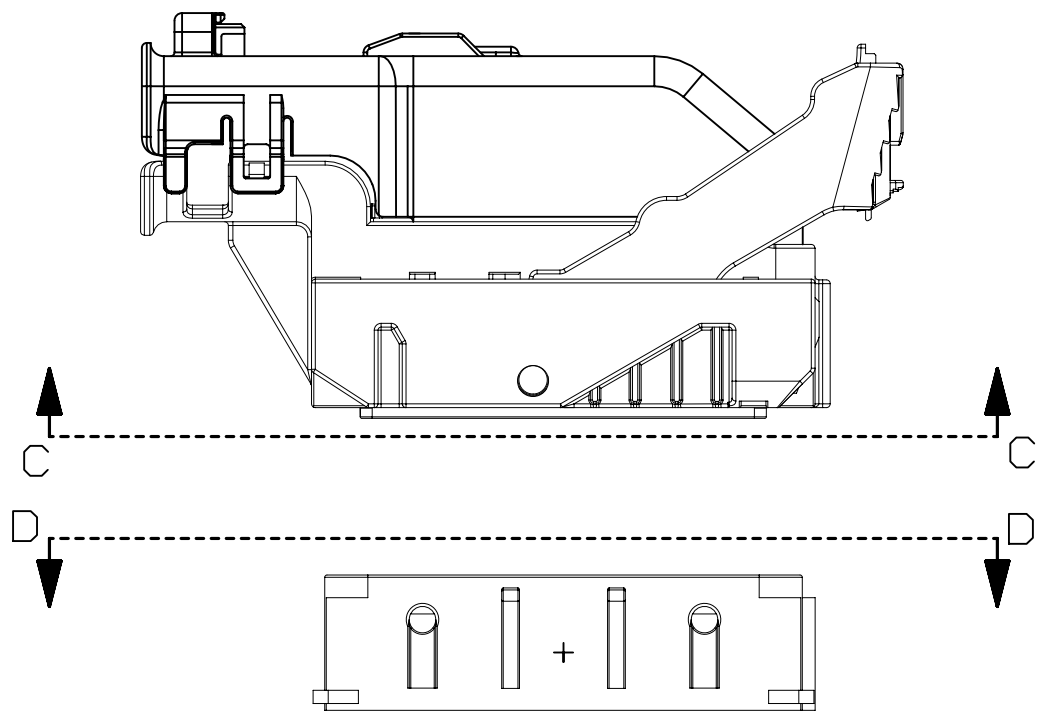


PAGE TITLE  
KEY ID REF - WIRE DRESS OPTION 0

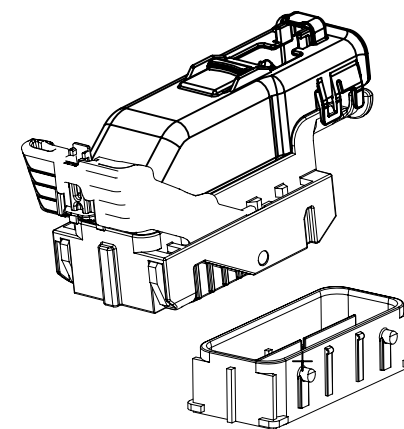
DRAWING NUMBER  
12642695

DWG STATUS		
ST	REV	PD1
R	002	

PAGE NUMBER  
11 OF 21

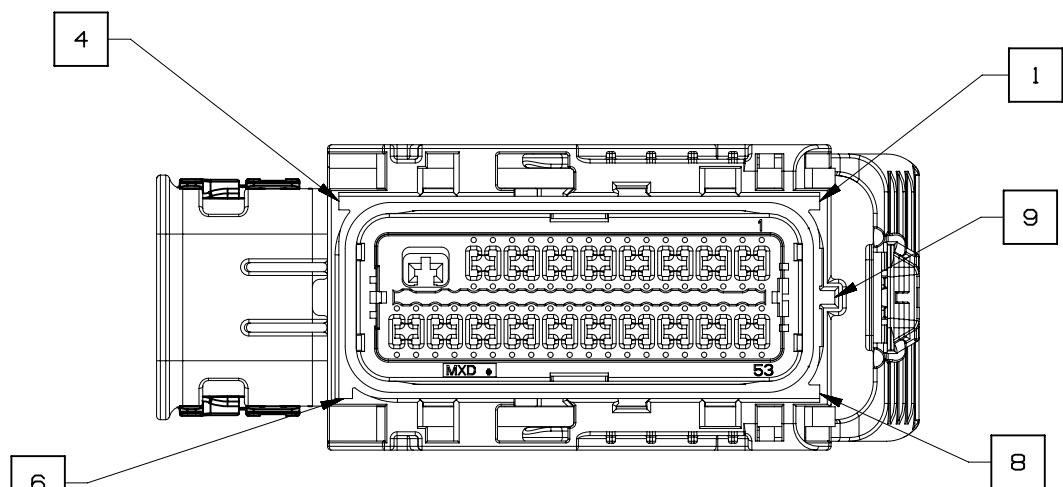


INTERFACE SIDE SHOWN ON ALL SECTION VIEWS

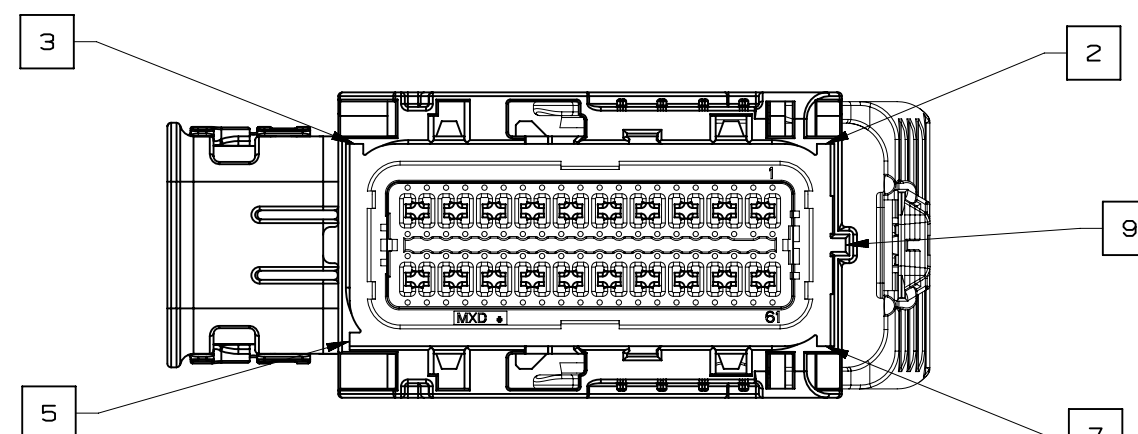


NOTE: REFERENCE THE COMPONENT TABLE FOR KEY OPTIONS AND CONFIGURATIONS

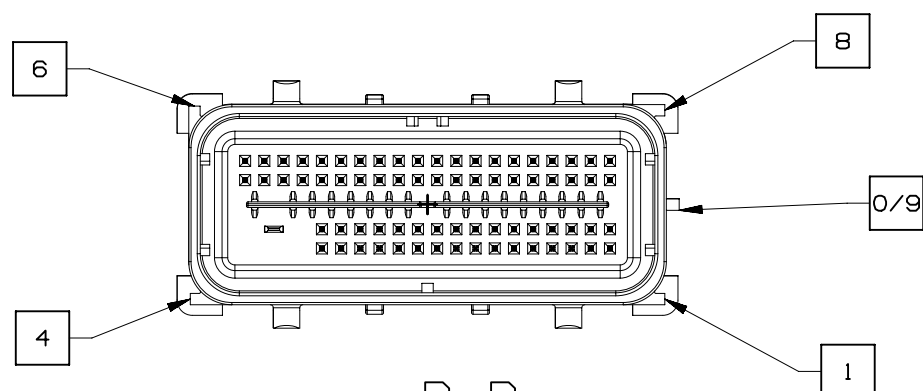
VIEW V



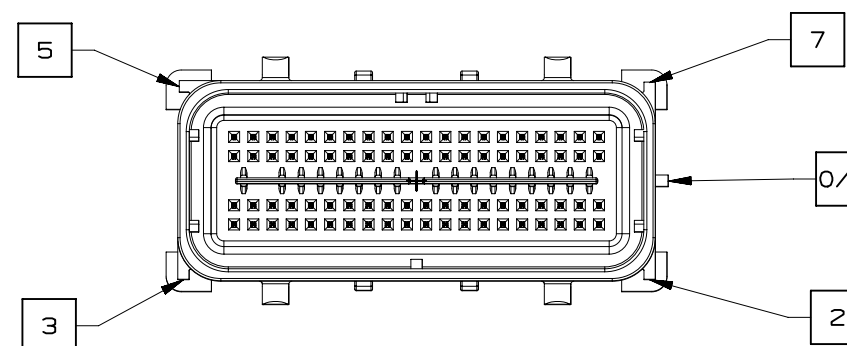
SECTION C-C  
KEY OPTION B SHOWN



SECTION C-C  
KEY OPTION K SHOWN



SECTION D-D  
KEY OPTION B SHOWN



SECTION D-D  
KEY OPTION K SHOWN

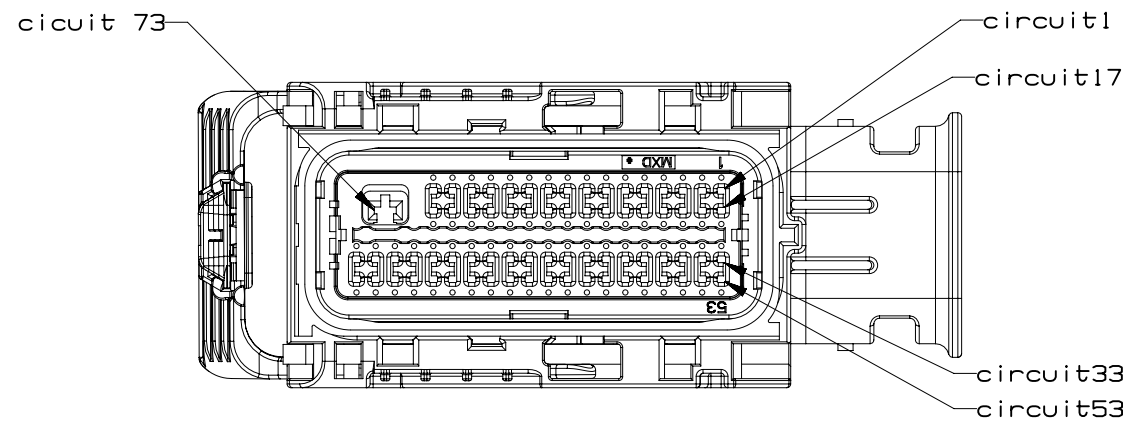


PAGE TITLE  
KEY ID REF - WIRE DRESS OPTION 9

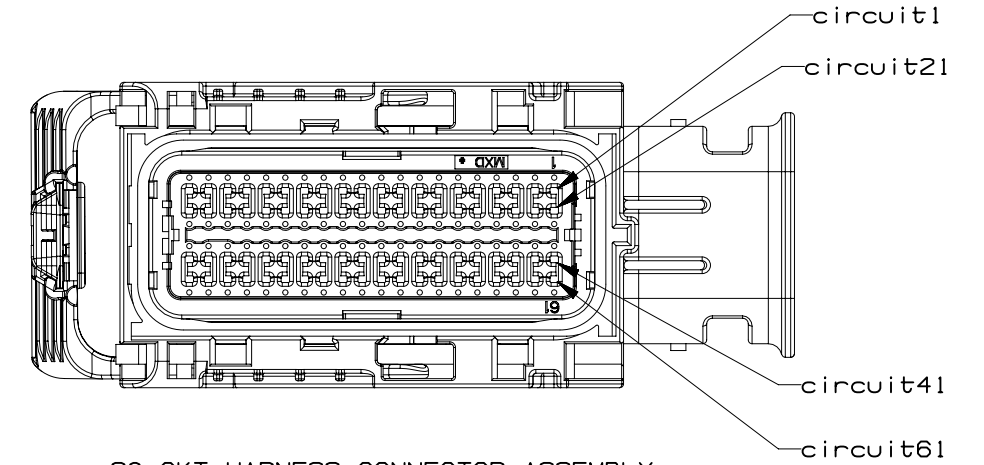
DRAWING NUMBER  
12642695

DWG STATUS		
ST	REV	PD1
R	002	

PAGE NUMBER  
12 OF 21

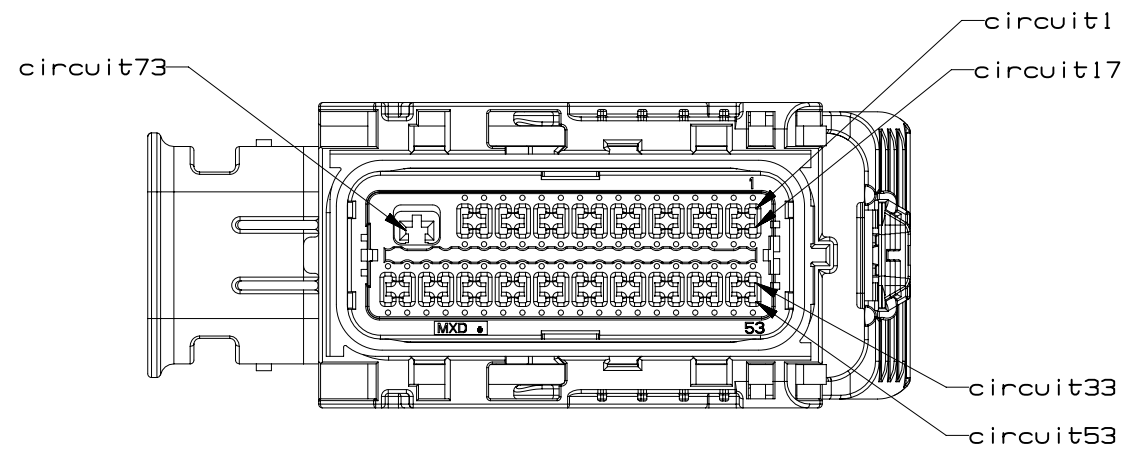


73 CKT HARNESS CONNECTOR ASSEMBLY  
WIRE DRESS OPTION 0

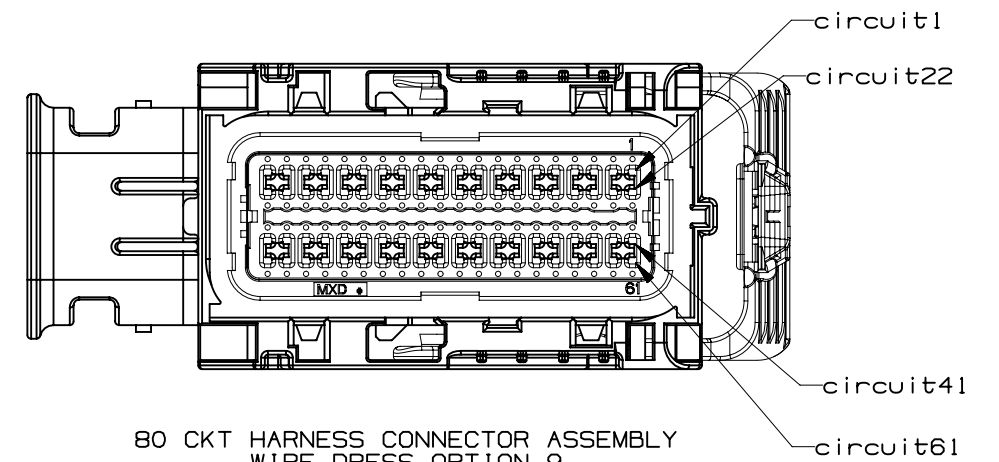


80 CKT HARNESS CONNECTOR ASSEMBLY  
WIRE DRESS OPTION 0

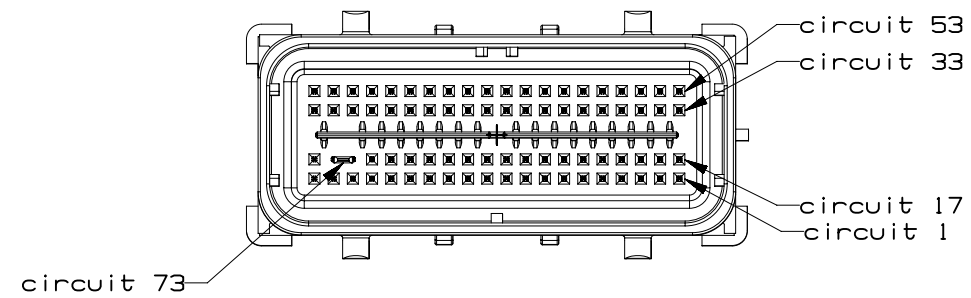
INTERFACE SIDE SHOWN ON ALL VIEWS



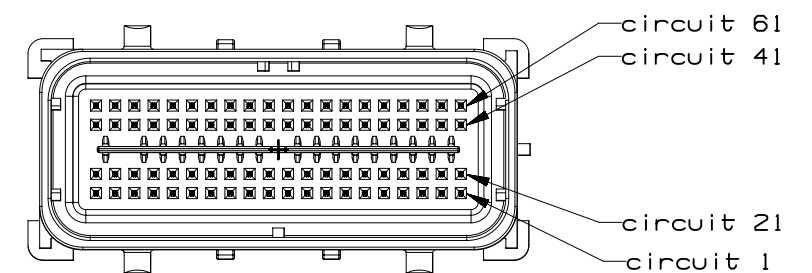
73 CKT HARNESS CONNECTOR ASSEMBLY  
WIRE DRESS OPTION 9



80 CKT HARNESS CONNECTOR ASSEMBLY  
WIRE DRESS OPTION 9

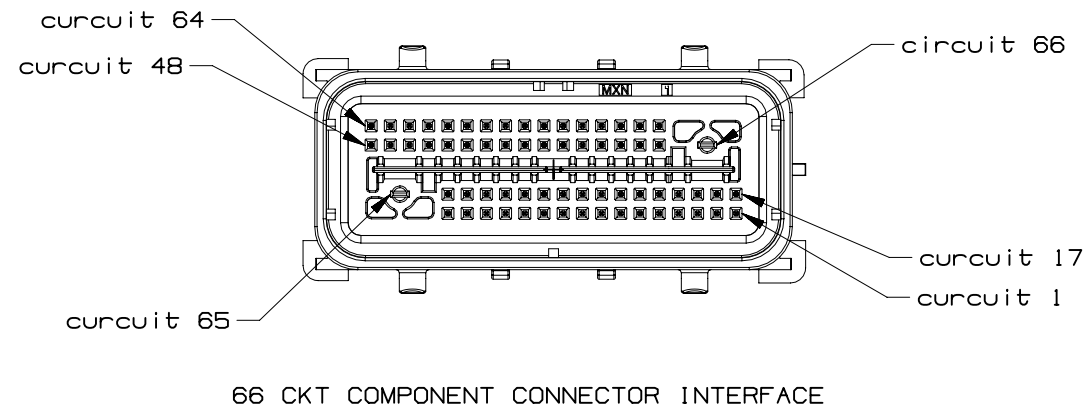
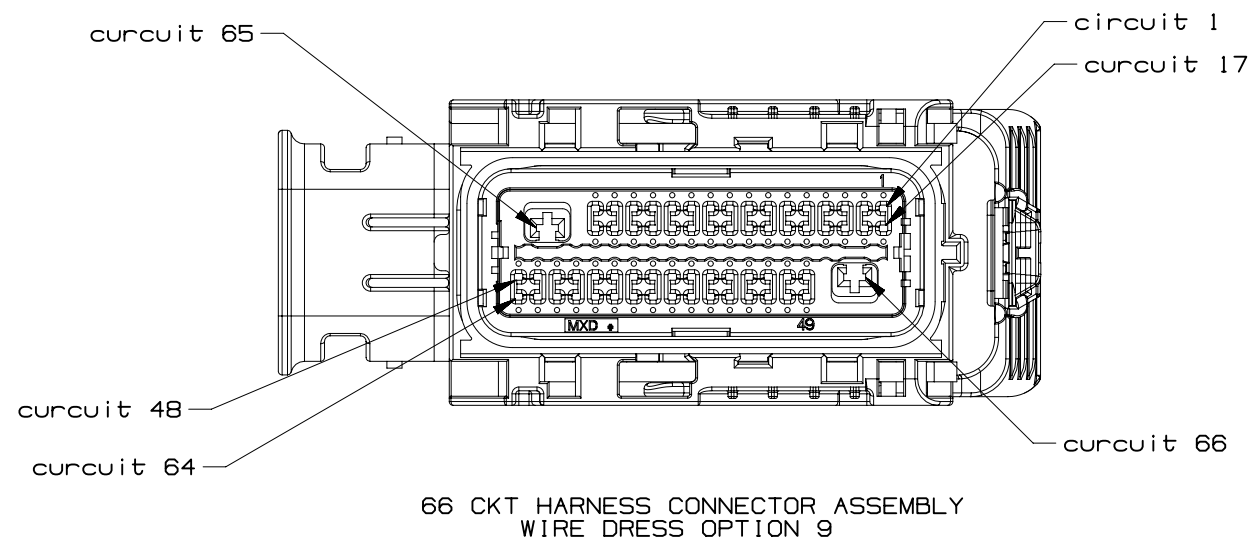
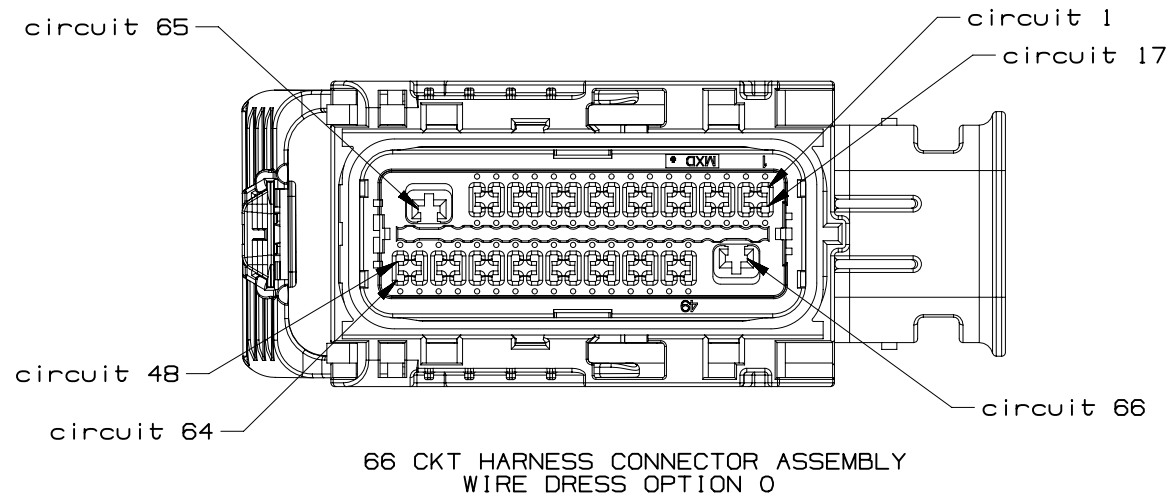


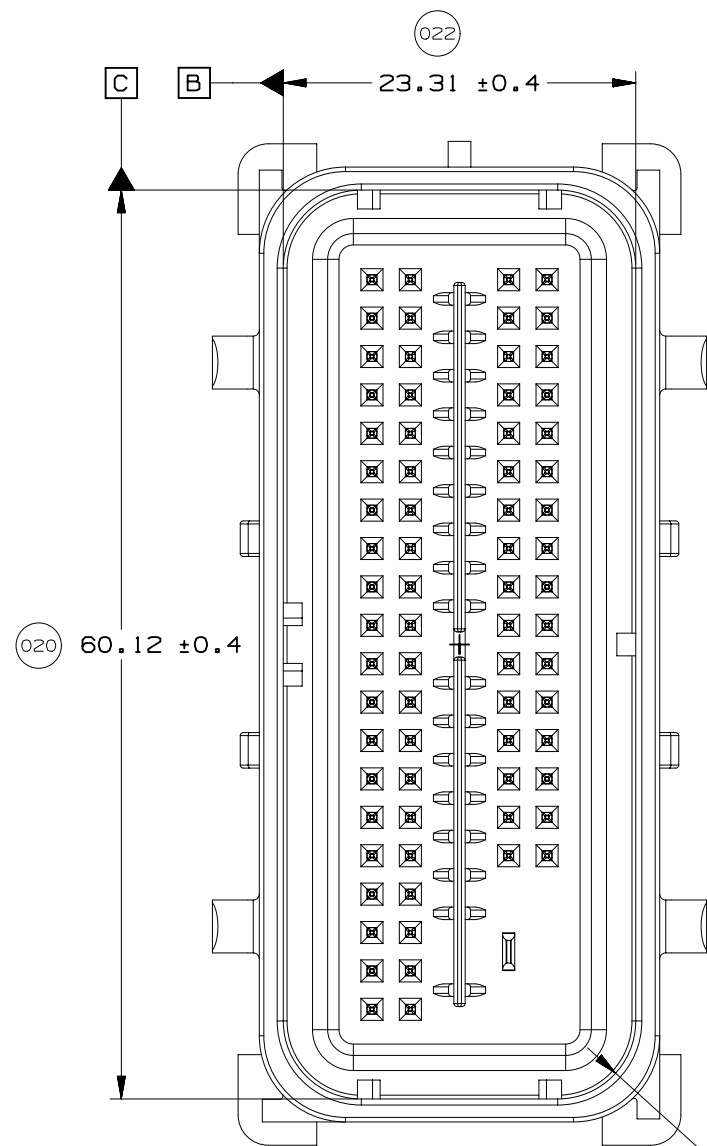
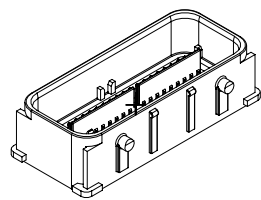
73 CKT COMPONENT CONNECTOR INTERFACE



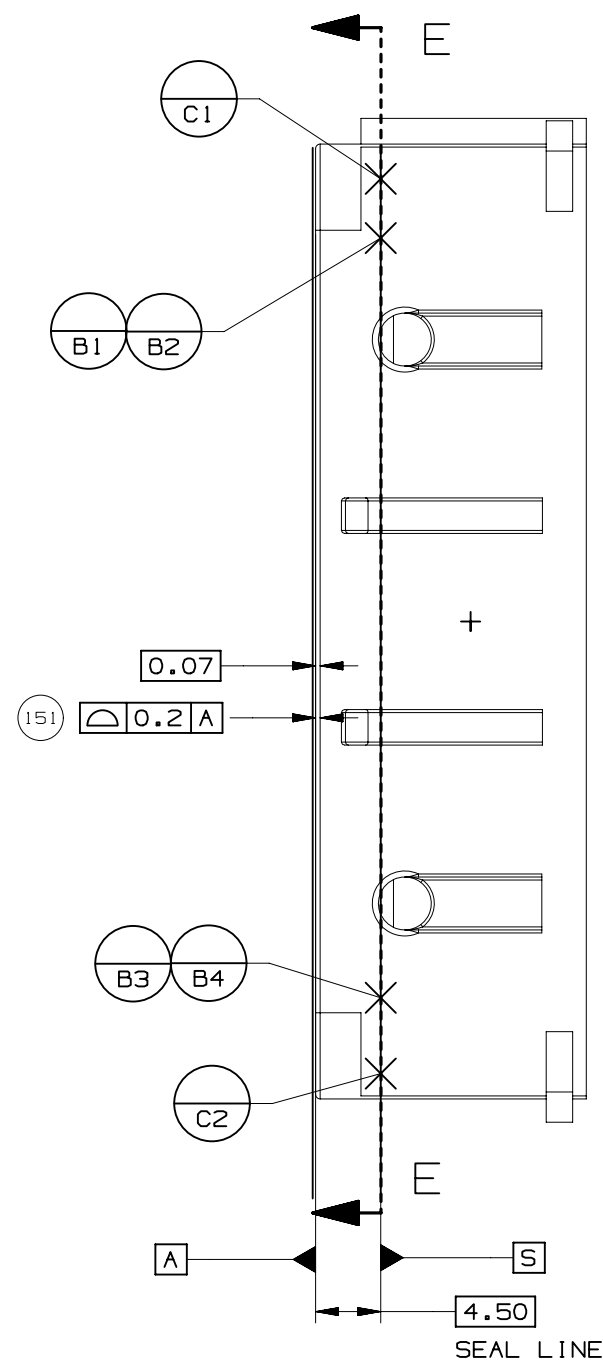
80 CKT COMPONENT CONNECTOR INTERFACE



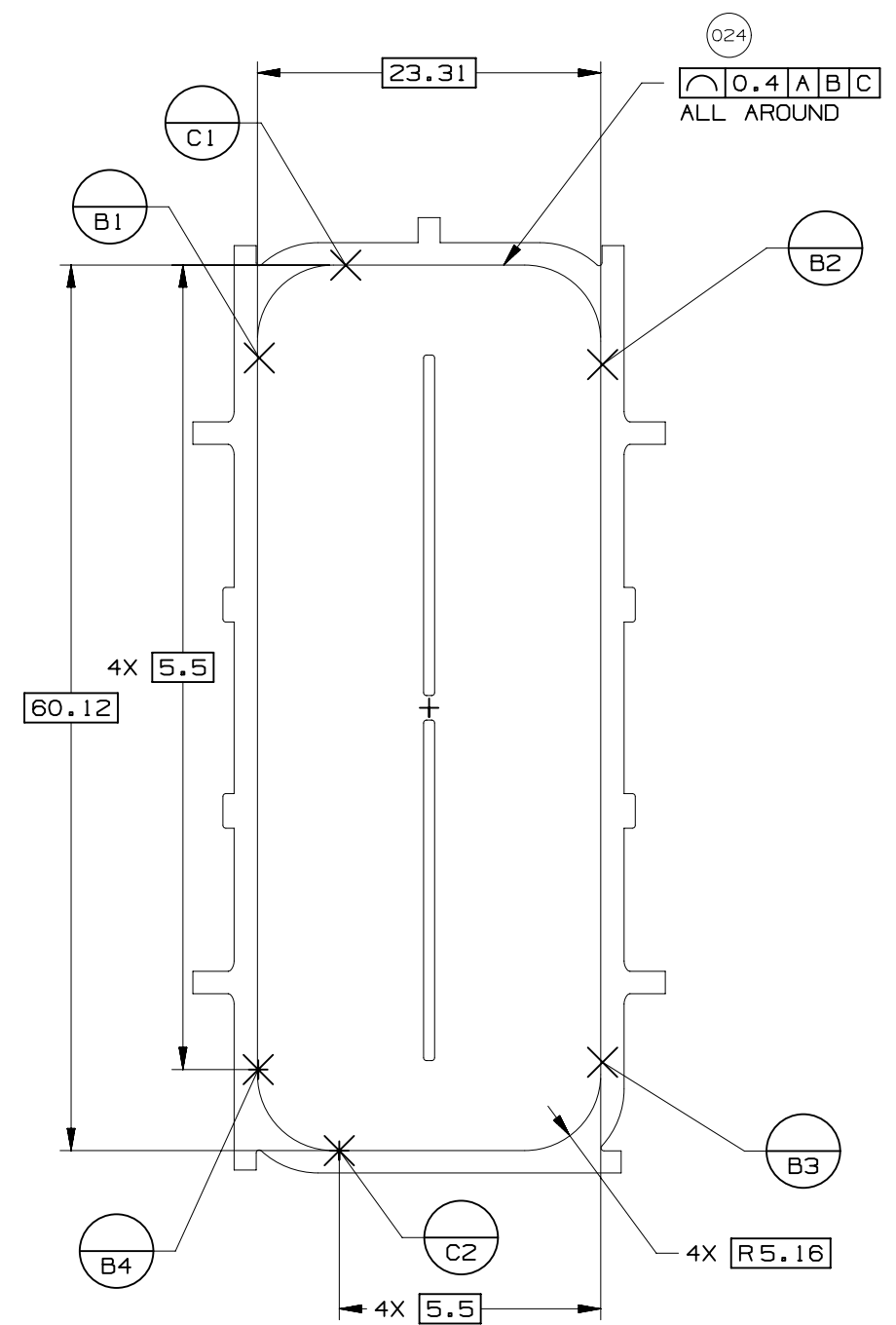




023 4X R5.16 ± 0.3



SEAL LINE

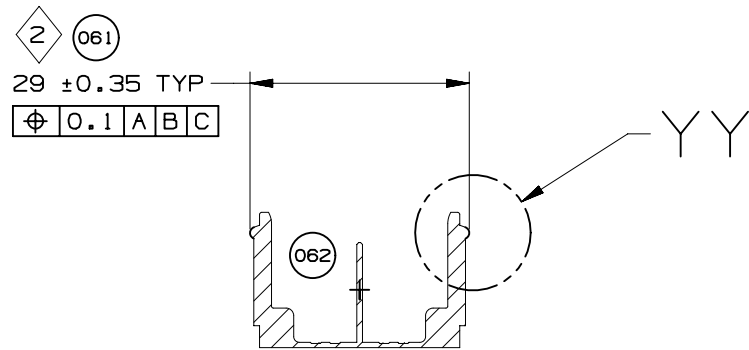
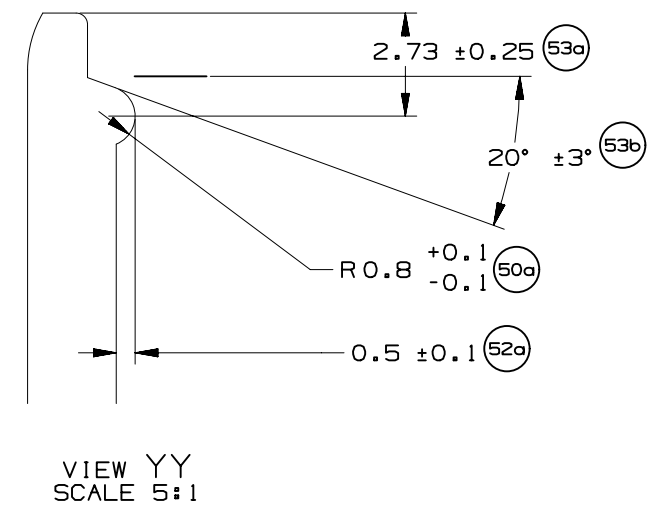
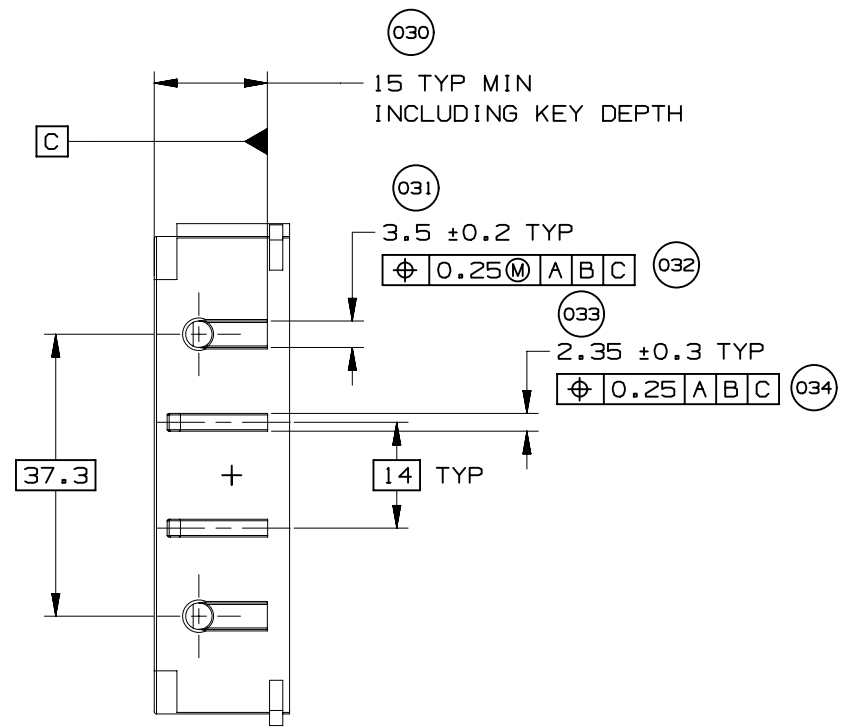
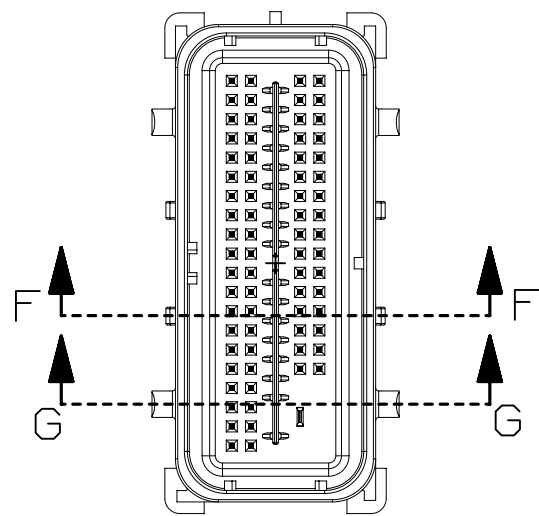


SECTION E-E  
(AT SEAL LINE)

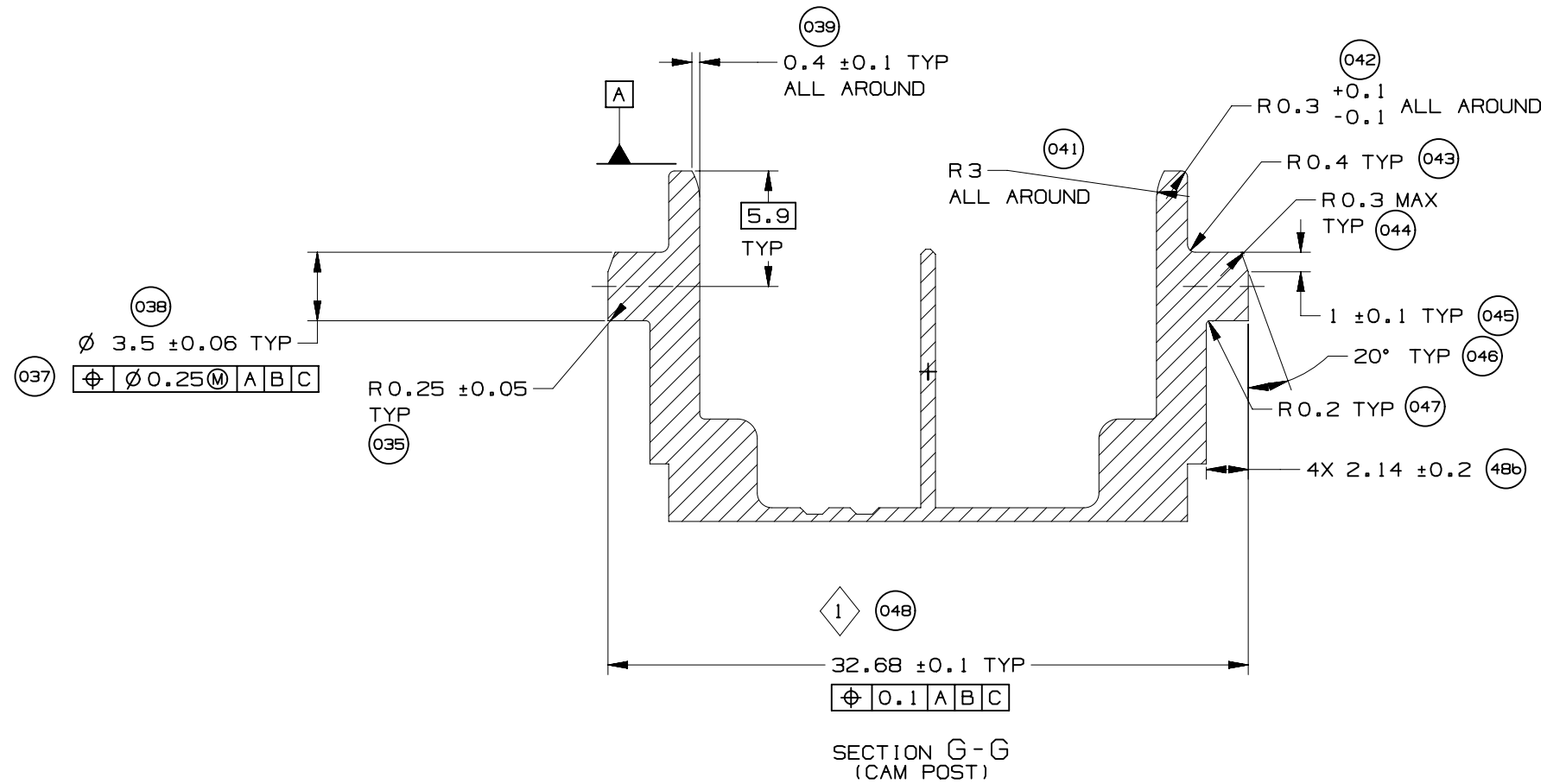
UNLESS SPECIFIED, TOLERANCE OF THE COMPONENT CONNECTOR INTERFACE TO BE  $\sqrt[0.13]{A|B|C}$

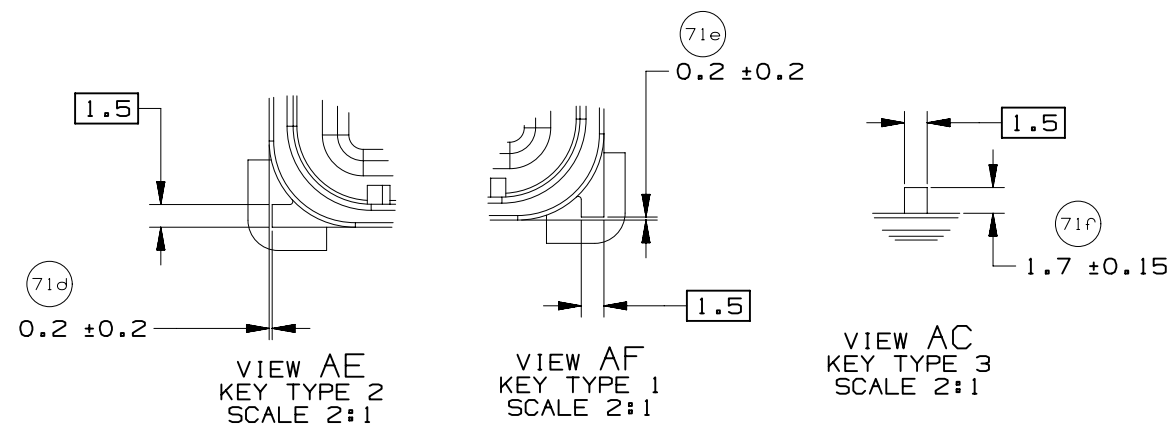
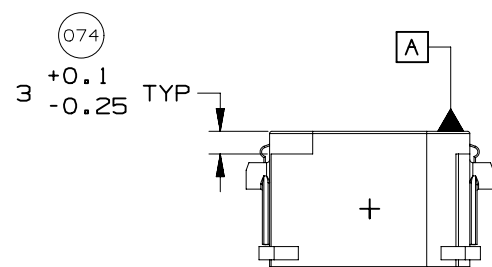
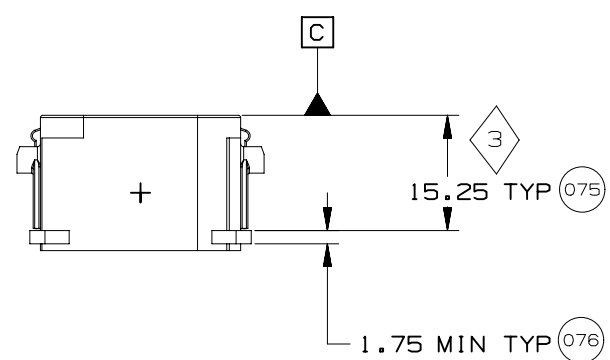
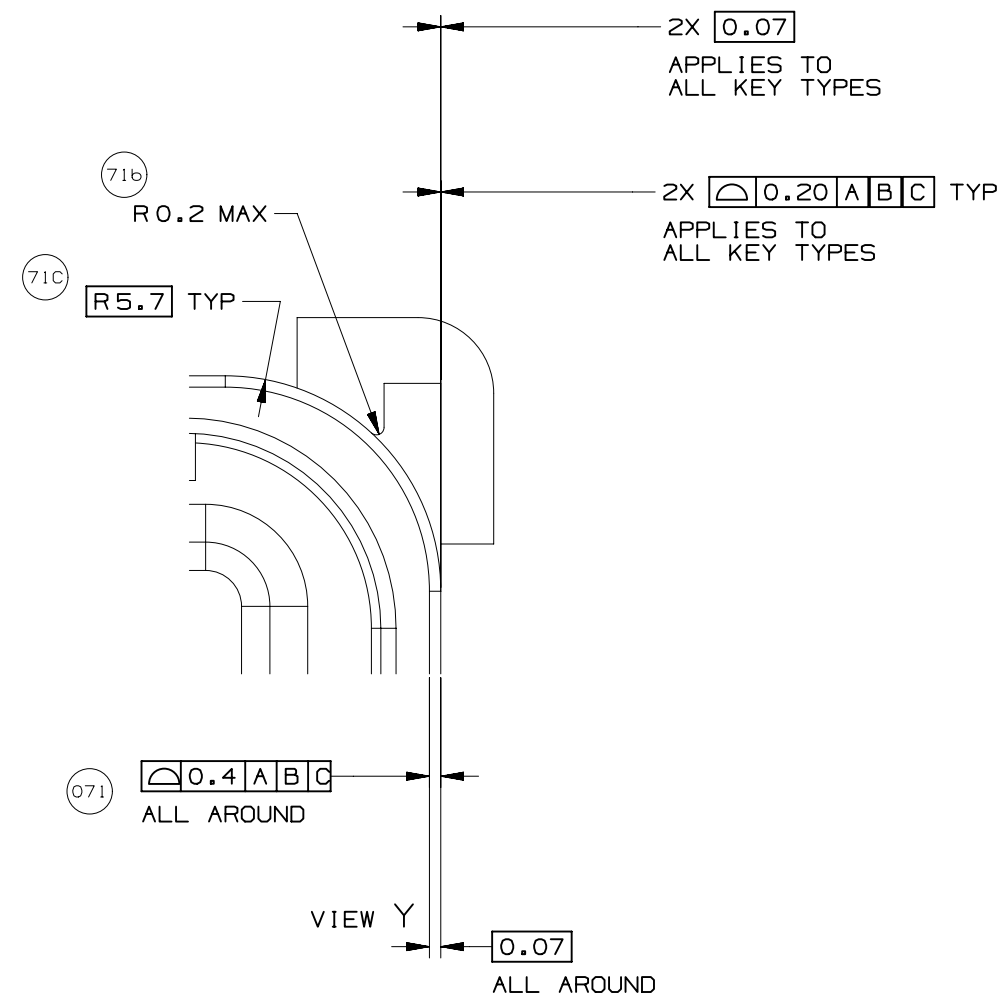
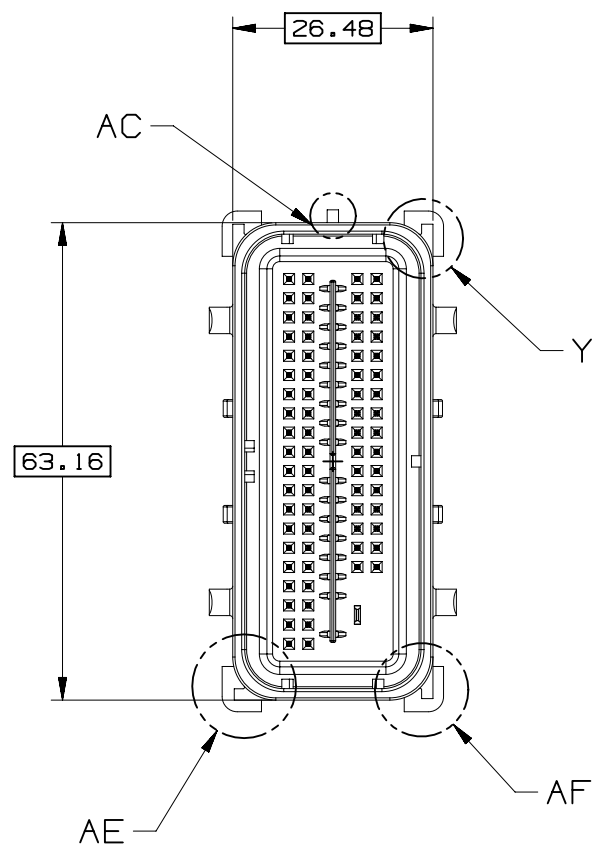
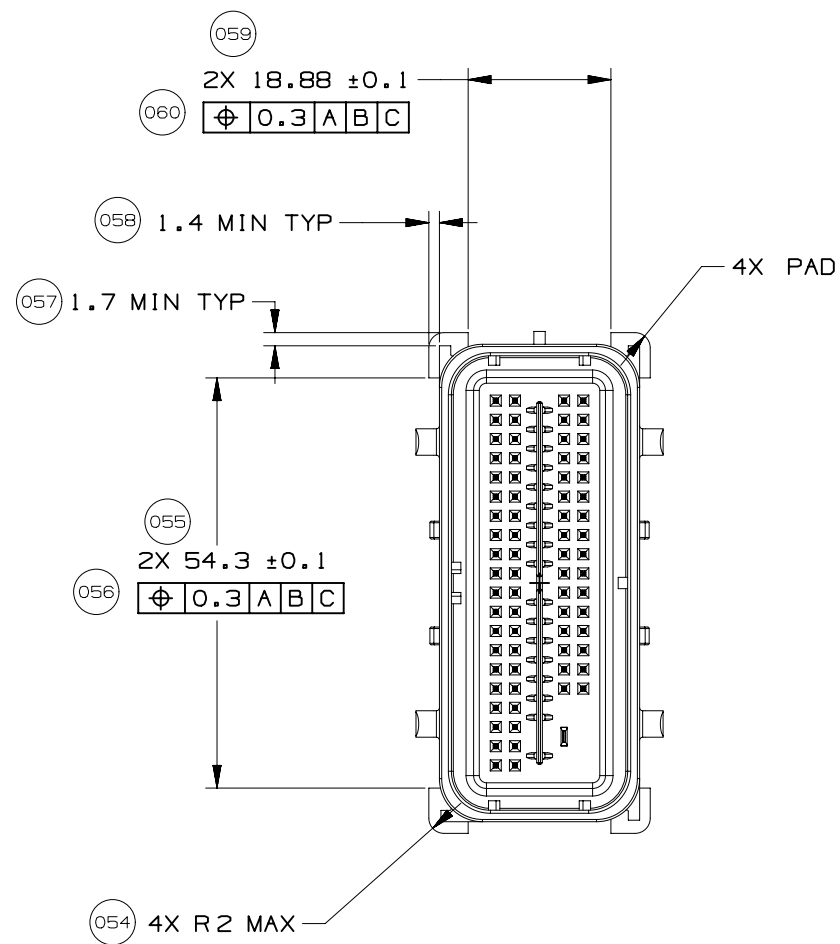
	PAGE TITLE	DRAWING NUMBER	DWG STATUS			PAGE NUMBER
	COMPONENT CONNECTOR INTERFACE	12642695	ST	REV	PD1	15 OF 21
			R	002		





SECTION F-F

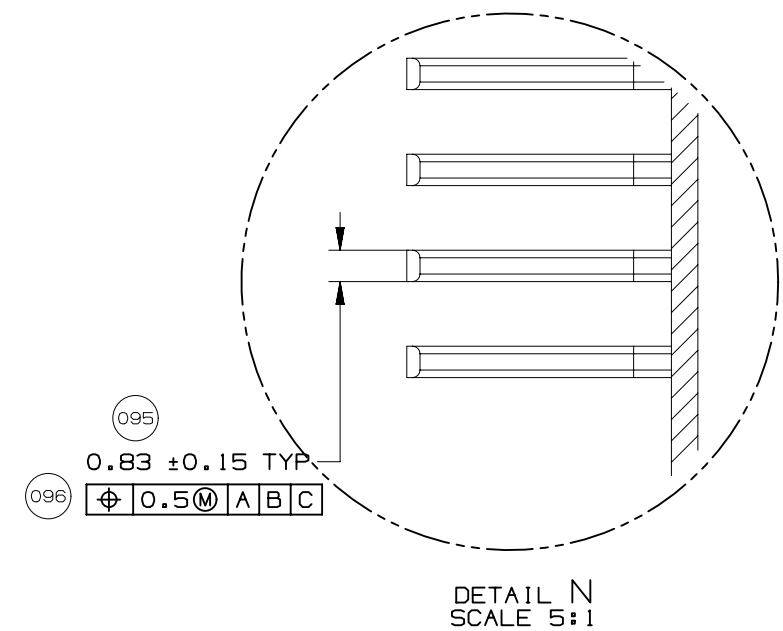
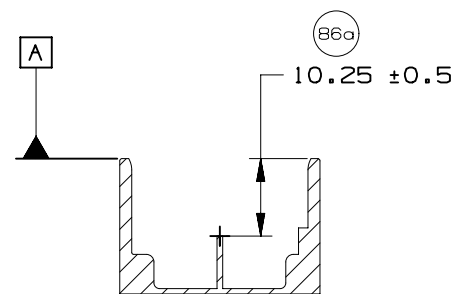
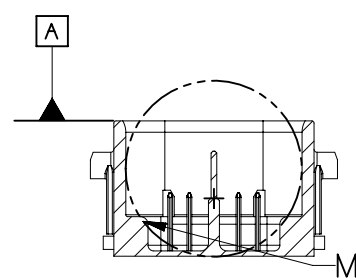
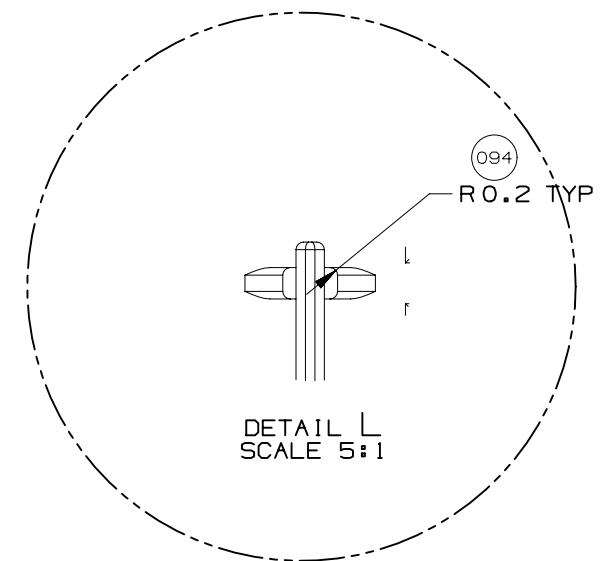
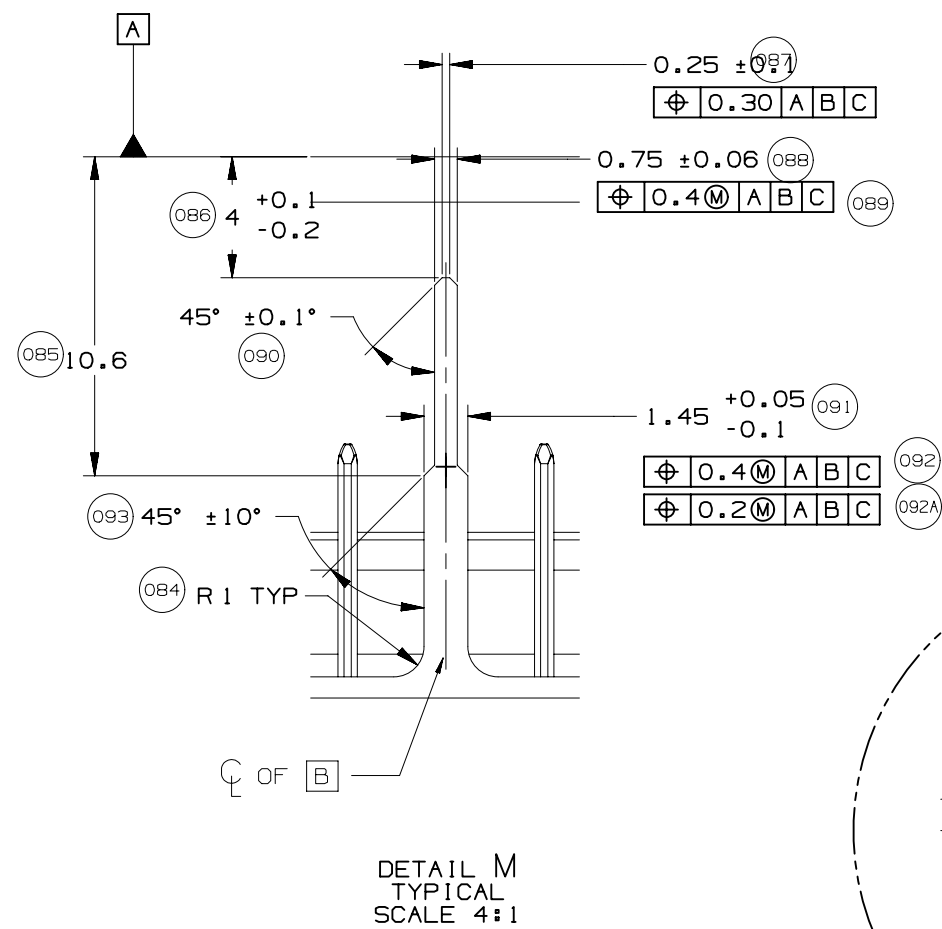
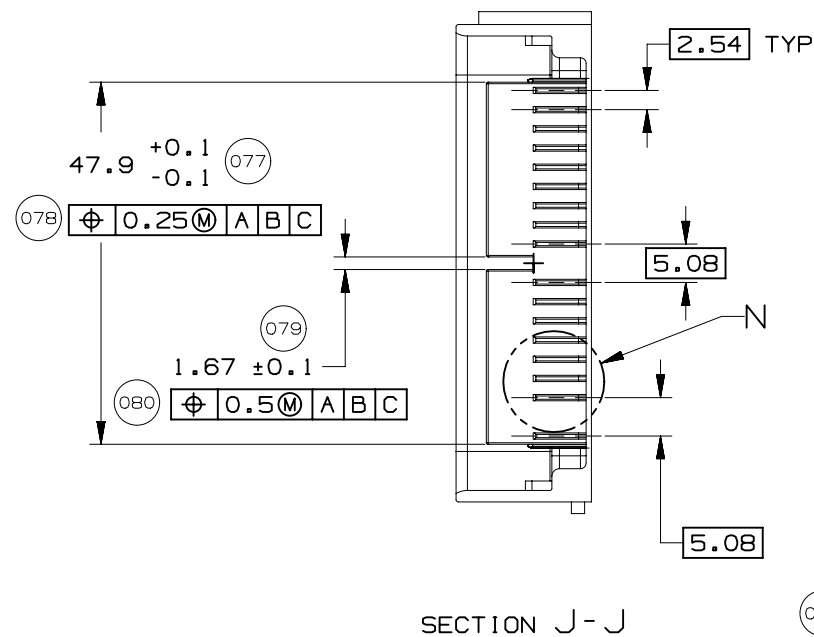
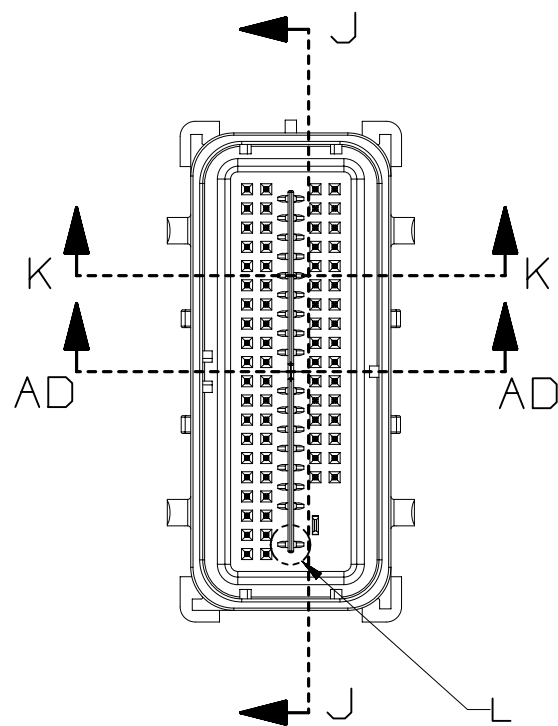




PAGE TITLE  
 COMPONENT CONNECTOR INTERFACE

DRAWING NUMBER  
 12642695

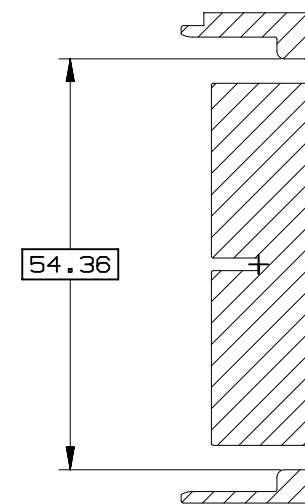
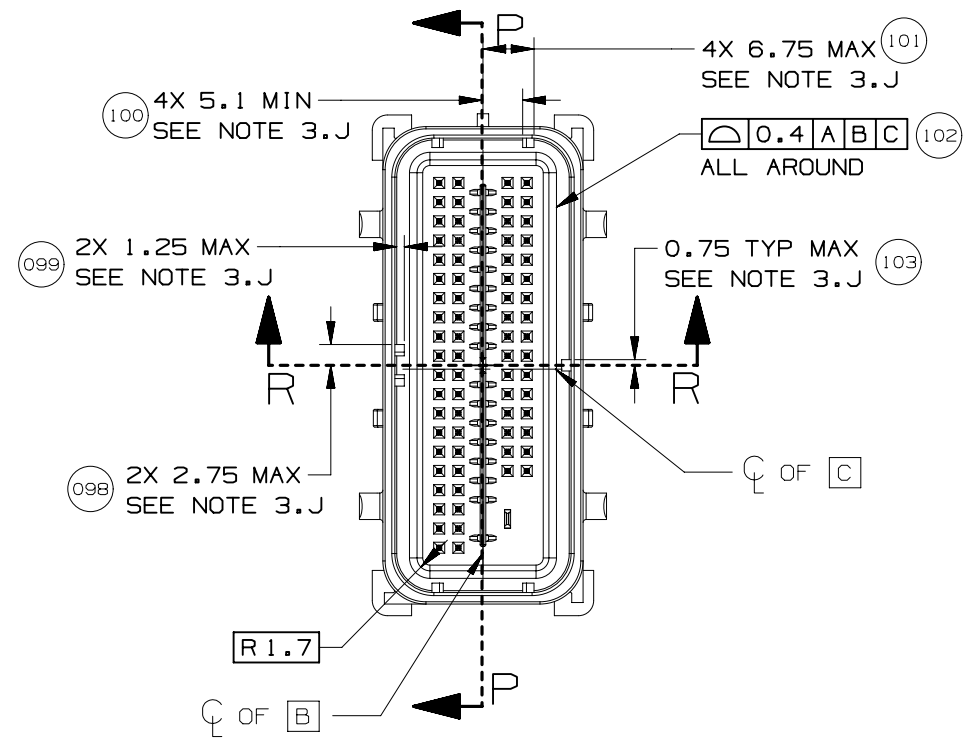
DWG STATUS			PAGE NUMBER
ST	REV	PD1	
R	002		17 OF 21



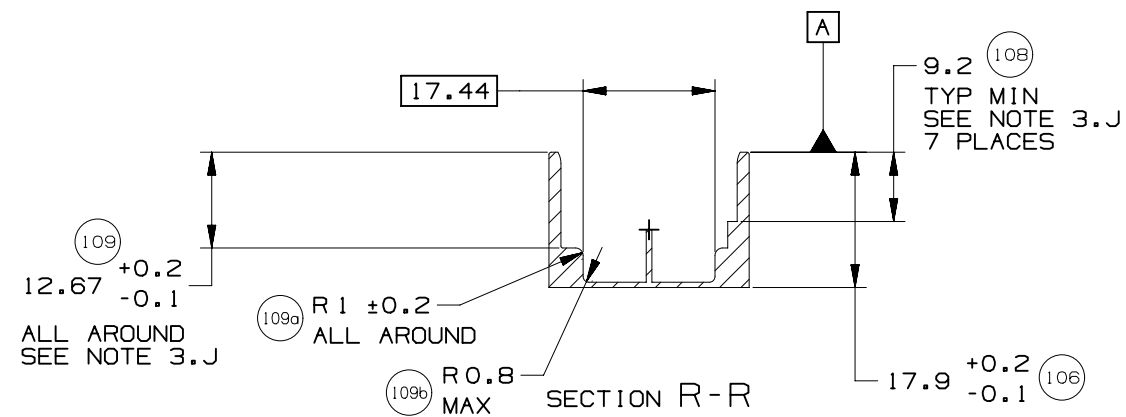
PAGE TITLE  
COMPONENT CONNECTOR INTERFACE

DRAWING NUMBER  
12642695

DWG STATUS			PAGE NUMBER
ST	REV	PD1	
R	002		18 OF 21



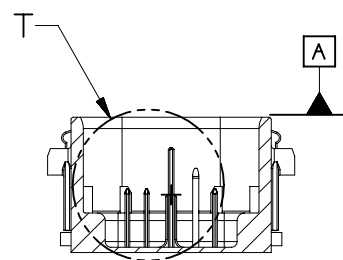
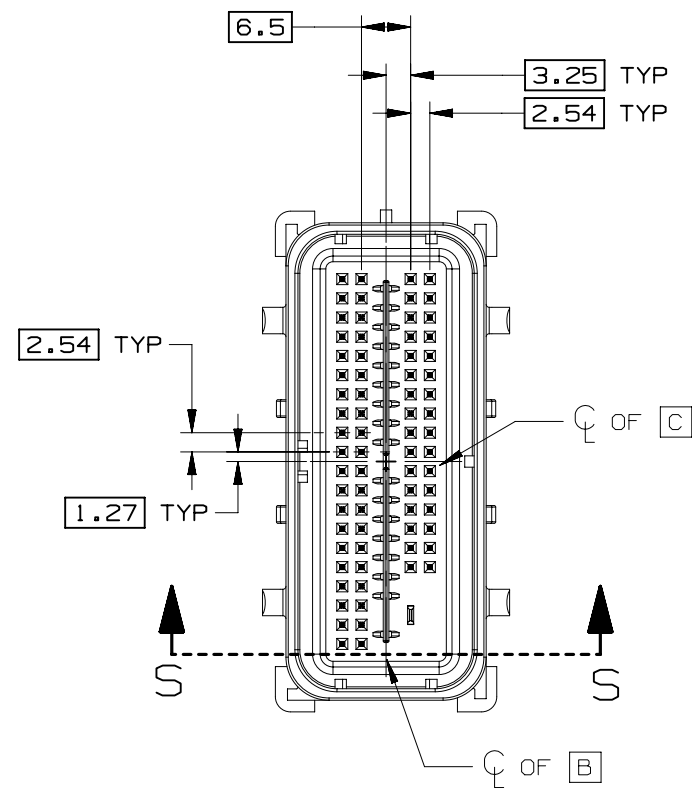
SECTION P-P



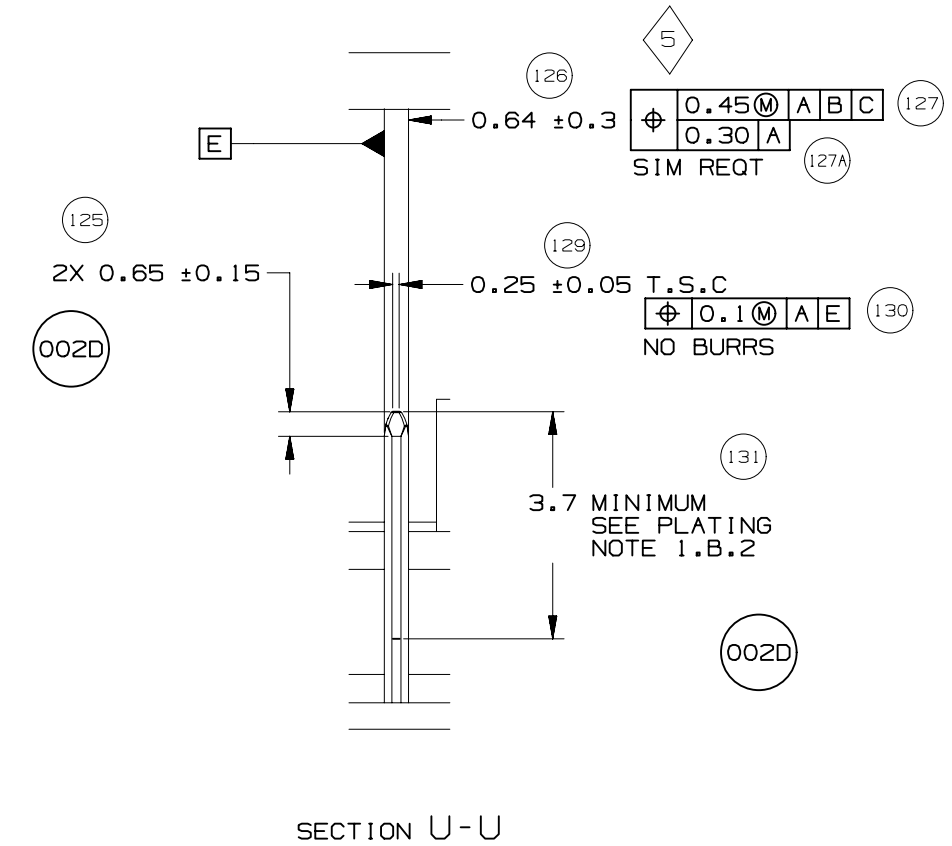
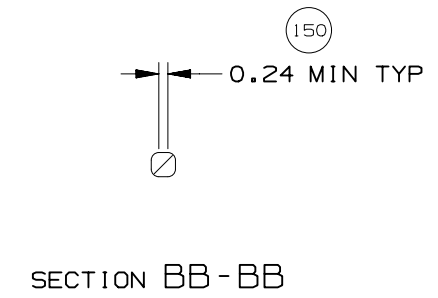
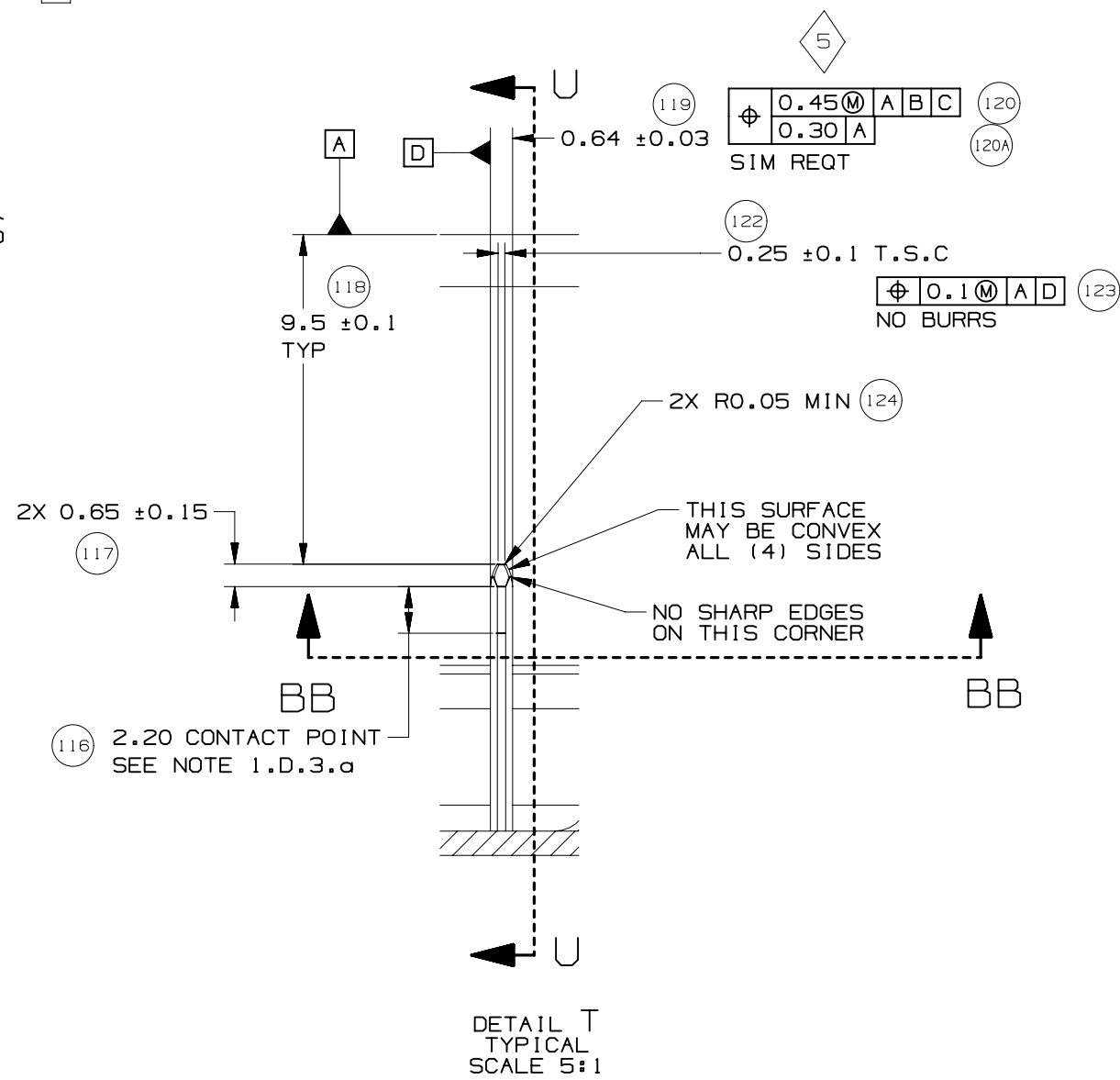
PAGE TITLE  
COMPONENT CONNECTOR INTERFACE

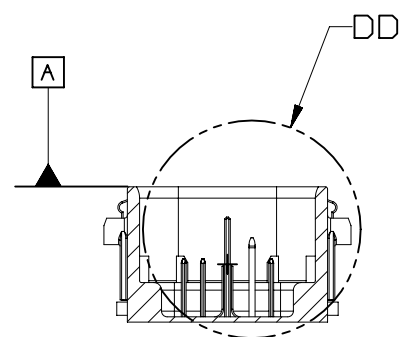
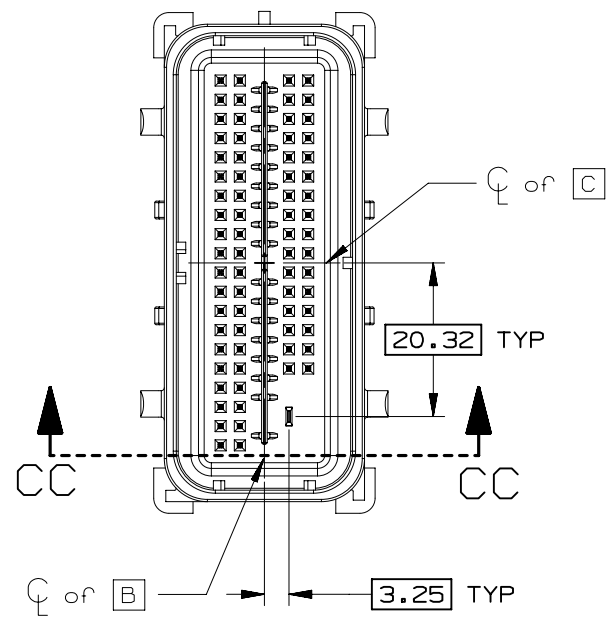
DRAWING NUMBER  
12642695

DWG STATUS			PAGE NUMBER
ST	REV	PD1	
R	002		19 OF 21

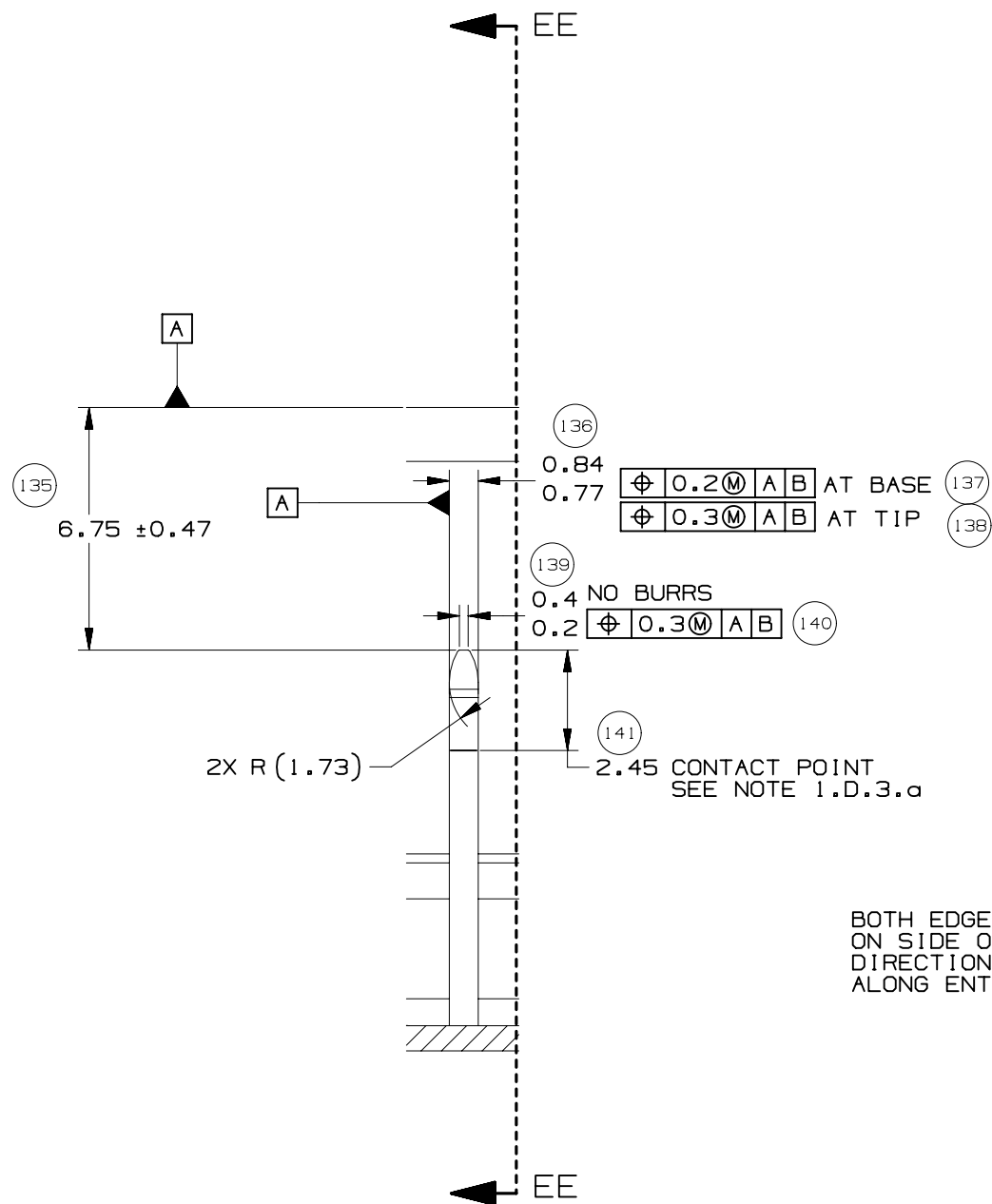


SECTION S-S

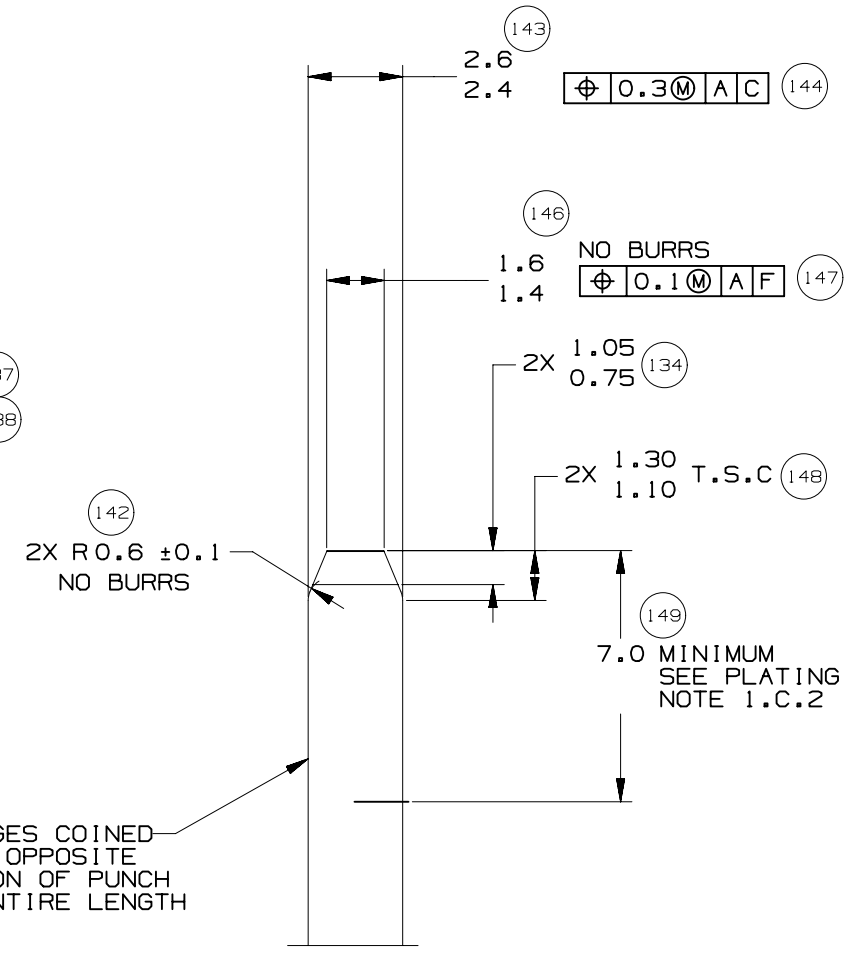




SECTION CC-CC



DETAIL DD  
TYPICAL  
SCALE 5:1

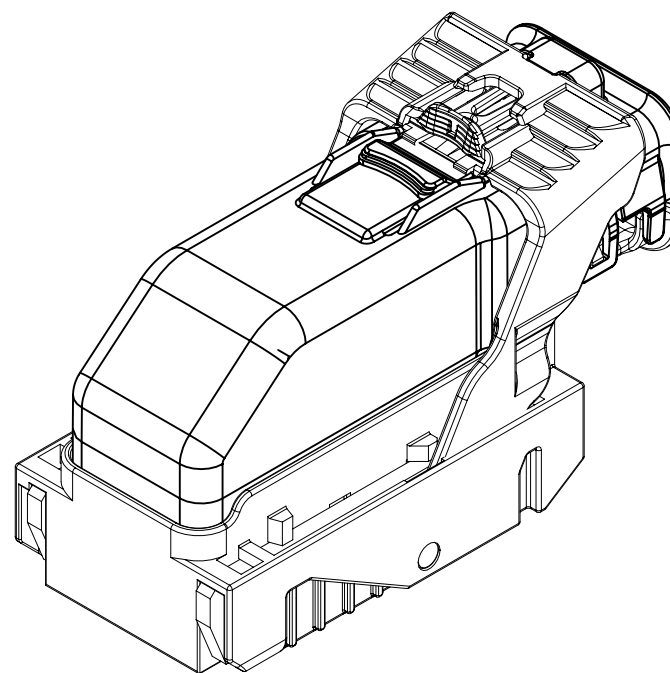


SECTION EE-EE  
TYPICAL


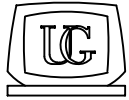
BOTH EDGES COINED  
ON SIDE OPPOSITE  
DIRECTION OF PUNCH  
ALONG ENTIRE LENGTH



INDEX	
PAGE TITLE	PAGE
TITLE BLOCK	1
REVISION BLOCK	2
PART BLOCK	3
KPC BLOCK	4
COMPONENT TABLE	5
NOTES	6
NOTES	7
WIRE DRESS PACKAGING DIMENSIONS	8
LOCATION AND PACKAGING DIMENSIONS REFERENCING INTERFACE DATUMS B & C	9
LOCATION AND PACKAGING DIMENSIONS REFERENCING INTERFACE DATUM A	10
KEY ID REF - WIRE DRESS OPTION 0	11
KEY ID REF - WIRE DRESS OPTION 9	12
CIRCUIT CONFIGURATIONS	13
CIRCUIT CONFIGURATIONS	14
COMPONENT CONNECTOR INTERFACE	15
COMPONENT CONNECTOR INTERFACE	16
COMPONENT CONNECTOR INTERFACE	17
COMPONENT CONNECTOR INTERFACE	18
COMPONENT CONNECTOR INTERFACE	19
COMPONENT CONNECTOR INTERFACE	20
COMPONENT CONNECTOR INTERFACE	21
ADDITIONAL COMPONENTS REQUIRED	22




ISO VIEW

	<b>UNLESS OTHERWISE SPECIFIED:</b> THIS DOCUMENT IS IN ACCORDANCE WITH ASME Y14.5M-1994 AS AMMENDED BY THE GM GLOBAL DIMENSIONING AND TOLERANCING ADDENDUM-1997. ALL GEOMETRIC TOLERANCES AND RELATED DATUMS APPLY RFS. RULE #1 (PERFECT FORM AT MMC) DOES NOT APPLY WHEN A RELATIONSHIP BETWEEN FEATURES IS ESTABLISHED BY ORIENTATION OR LOCATION TOLERANCES. SEPARATE POSITION CALLOUTS MAY BE GAGED SEPARATELY REGARDLESS OF DATUM REFERENCES.			DATE
	 CHANGE RESTRICTED NO MANUAL CHANGES	REFERENCE 12H (MOLEX AUTOMOTIVE)	DRAFTER APVD1 APVD2 APVD3 APVD4 APVD5	05JN15
DO NOT SCALE		DRAWING NAME		
METRIC DIMENSIONS SHOWN IN MILLIMETERS UNLESS OTHERWISE SPECIFIED		HARNESS CONN ASM-SEALED 52/66/73/80 CKTS, MX123		
DRAWING NUMBER		DWG STATUS		PAGE NUMBER
12672833		ST	REV	PD1
		R	001	
				1 OF 22

PAGE	DWG STATUS					REVISION HISTORY	AUTH	DR	CK	ENG
	DATE	ST	REV	CHG	PDI					
	05JN15	R	001			RELEASED TO PRODUCTION AT DLS A	CRMRJE	DFK		

PAGE	DWG STATUS					REVISION HISTORY	AUTH	DR	CK	ENG
	DATE	ST	REV	CHG	PDI					

	PAGE TITLE	DRAWING NUMBER	DWG STATUS			PAGE NUMBER	
	REVISION BLOCK		12672833	ST	REV		PDI
			R	001			2 OF 22





KEY PRODUCT CHARACTERISTICS  
(IN ACCORDANCE WITH QN 1805 OR ON 1050)



SAFETY/COMPLIANCE

TOTAL ON  
DRAWING

4



FIT/FUNCTION

LAST NO.  
USED

4

NO	TYPE	DESCRIPTION	RATIONALE	PAGE/ZONE
1	F/F	32.68	IMPROVE CONNECTOR SYSTEM MATING	16
2	F/F	29.00	INSURE PROPER RELEASE OF LEVER	16
3	F/F	15.25	INSURE FINAL MATE POSITION	17
4	F/F	POSITIONAL TOLERANCE (2 PLACES)	INSURE CONNECTOR SYSTEM MATEABILITY	20



PAGE TITLE  
KPC BLOCK

DRAWING NUMBER

12672833

DWG STATUS

ST	REV	PDI
----	-----	-----

R	001	
---	-----	--

PAGE NUMBER

4 OF 22

LINE	MFG.	MFG. P/N	GM P/N	EFFECTIVE DATE	APPLICABLE COMPONENTS	KEY OPTION	WIRE DRESS OPTION	KEY CONFIG.	COLOR	STATUS
					DESCRIPTION					
-										
1	MOLEX	34565-0003	12582676	02JN03	MX123 DRESS COVER 52/66/73/80 CKT	N/A	N/A	N/A	BLACK	AVAILABLE
2	MOLEX	160094-0001	12672852	01SP13	MX123 HRNS CONN ASSY 52 CKT	A	0	1458	BLACK	AVAILABLE
3	MOLEX	160094-0003	12672854	01SP13	MX123 HRNS CONN ASSY 52 CKT	C	0	2467	BLUE	AVAILABLE
4	MOLEX	160094-0013	12672853	01SP13	MX123 HRNS CONN ASSY 52 CKT	A	9	1458	BLACK	AVAILABLE
5	MOLEX	160094-0015	12672855	01SP13	MX123 HRNS CONN ASSY 52 CKT	C	9	2467	BLUE	AVAILABLE
6	MOLEX	34822-0013	12672856	01SP13	MX123 HRNS CONN ASSY 66 CKT	A	0	1458	BLACK	AVAILABLE
7	MOLEX	34822-0033	12672858	01SP13	MX123 HRNS CONN ASSY 66 CKT	C	0	2467	BLUE	AVAILABLE
8	MOLEX	34822-0023	12672857	01SP13	MX123 HRNS CONN ASSY 66 CKT	A	9	1458	BLACK	AVAILABLE
9	MOLEX	34822-0043	12672859	01SP13	MX123 HRNS CONN ASSY 66 CKT	C	9	2467	BLUE	AVAILABLE
10	MOLEX	34566-0103	12672860	11JN04	MX123 HRNS CONN ASSY 73 CKT	A	0	1458	BLACK	AVAILABLE
11	MOLEX	34566-0203	12672862	11JN04	MX123 HRNS CONN ASSY 73 CKT	B	0	1468	ST GRAY	AVAILABLE
12	MOLEX	34566-0303	12672864	09AP08	MX123 HRNS CONN ASSY 73 CKT	C	0	2467	BLUE	AVAILABLE
13	MOLEX	34566-0603	12672866	05DC14	MX123 HRNS CONN ASSY 73 CKT	F	0	1357	NATURAL	AVAILABLE
14	MOLEX	34566-1303	12672861	11JN04	MX123 HRNS CONN ASSY 73 CKT	A	9	1458	BLACK	AVAILABLE
15	MOLEX	34566-1403	12672863	11JN04	MX123 HRNS CONN ASSY 73 CKT	B	9	1468	ST GRAY	AVAILABLE
16	MOLEX	34566-1503	12672865	09AP08	MX123 HRNS CONN ASSY 73 CKT	C	9	2467	BLUE	AVAILABLE
17	MOLEX	34566-1803	12672867	05DC14	MX123 HRNS CONN ASSY 73 CKT	F	9	1357	NATURAL	AVAILABLE
18	MOLEX	34566-0703	12672872	09AP08	MX123 HRNS CONN ASSY 80 CKT	G	0	1358	BLUE	AVAILABLE
19	MOLEX	34566-0803	12672870	11JN04	MX123 HRNS CONN ASSY 80 CKT	H	0	2458	ST GRAY	AVAILABLE
20	MOLEX	34566-0903	12672868	T.B.D	MX123 HRNS CONN ASSY 80 CKT	J	0	2457	BLACK	NOT ACTIVE
21	MOLEX	34566-1903	12672873	09AP08	MX123 HRNS CONN ASSY 80 CKT	G	9	1358	BLUE	AVAILABLE
22	MOLEX	34566-2003	12672871	11JN04	MX123 HRNS CONN ASSY 80 CKT	H	9	2458	ST GRAY	AVAILABLE
23	MOLEX	34566-2103	12672869	T.B.D	MX123 HRNS CONN ASSY 80 CKT	J	9	2457	BLACK	NOT ACTIVE
24	MOLEX	34736-0028	12672851	01AU10	MX64 RCPT TERM Ag 0.5mm/0.75mm ISO GAGE B (RIGHT PAYOFF)	N/A	N/A	N/A	N/A	AVAILABLE
25	MOLEX	34736-0026	12672850	01AU10	MX64 RCPT TERM Ag 0.35mm ISO GAGE B (RIGHT PAYOFF)	N/A	N/A	N/A	N/A	AVAILABLE
26	MOLEX	34586-0001	12674820	11JN04	MX123 0.64mm GROMMET PLUG	N/A	N/A	N/A	NATURAL	AVAILABLE
27	YAZAKI	7116-4150-02	12588066	02JN03	2.8mm YESC SEALED FEMALE TERMINAL TIN 0.35mm2-0.50mm2	N/A	N/A	N/A	N/A	NOT ACTIVE
28	YAZAKI	7116-4151-02	12588067	02JN03	2.8mm YESC SEALED FEMALE TERMINAL TIN 0.75mm2-1.0mm2	N/A	N/A	N/A	N/A	NOT ACTIVE
29	YAZAKI	7116-4152-02	12582685	02JN03	2.8mm YESC SEALED FEMALE TERMINAL TIN 1.5mm2-2.5mm2	N/A	N/A	N/A	N/A	AVAILABLE
30	YAZAKI	7158-3111-60	12588068	02JN03	2.8mm CABLE SEAL (wire O.D. range 1.2mm-1.9mm)	N/A	N/A	N/A	GREEN	NOT ACTIVE
31	YAZAKI	7158-3112-70	12588069	02JN03	2.8mm CABLE SEAL (wire O.D. range 1.8mm-2.3mm)	N/A	N/A	N/A	YELLOW	NOT ACTIVE
32	YAZAKI	7158-3113-40	12582686	02JN03	2.8mm CABLE SEAL (wire O.D. range 2.1mm-3.0mm)	N/A	N/A	N/A	WHITE	AVAILABLE
33	YAZAKI	7158-3114-90	12674821	02JN03	2.8mm YESC CAVITY PLUG	N/A	N/A	N/A	BLUE	AVAILABLE
34	MOLEX	63825-8400	N/A	02JN03	MX64 TERM HAND CRIMP TOOL	N/A	N/A	N/A	N/A	AVAILABLE
35	MOLEX	63813-1400	XX019826	02JN03	MX64 TERM SERVICE TOOL	N/A	N/A	N/A	N/A	AVAILABLE
36	MOLEX	63902-5300	N/A	02JN03	MX64 CRIMP APPLICATOR with TOOL KIT 0.5/0.75mm2 PAYOFF DIRECTION D (left payoff) (contact Molex for payoff detail)	N/A	N/A	N/A	N/A	AVAILABLE
37	MOLEX	63902-5370	N/A	02JN03	MX64 APPLICATOR TOOL KIT 0.5/0.75mm2	N/A	N/A	N/A	N/A	AVAILABLE
38	MOLEX	63902-5100	N/A	02JN03	MX64 CRIMP APPLICATOR with TOOL KIT 0.35mm2 PAYOFF DIRECTION D (left payoff) (contact Molex for payoff detail)	N/A	N/A	N/A	N/A	AVAILABLE
39	MOLEX	63902-5170	N/A	02JN03	MX64 APPLICATOR TOOL KIT 0.35mm2	N/A	N/A	N/A	N/A	AVAILABLE
40	SPX	J35616-64	T.B.D.	02JN03	0.64mm PROBE TOOL (for rcpt)	N/A	N/A	N/A	N/A	AVAILABLE
41	SPX	J35616-64A	T.B.D.	02JN03	0.64mm PROBE TOOL WITH EXT (for rcpt)	N/A	N/A	N/A	N/A	AVAILABLE
42	SPX	J35616-65	T.B.D.	02JN03	0.64mm PROBE TOOL WITH EXT (for pin)	N/A	N/A	N/A	N/A	AVAILABLE
43	SPX	J35616-4A	T.B.D.	02JN03	2.8mm PROBE TOOL (for rcpt)	N/A	N/A	N/A	N/A	AVAILABLE
44	YAZAKI	X39899-J374	12094430	02JN03	2.8mm TERM SERVICE TOOL	N/A	N/A	N/A	N/A	AVAILABLE
45	TQI	7000-1006	N/A	15JN15	52 CKT PASS THROUGH ADAPTERS	N/A	N/A	N/A	BLACK	AVAILABLE
46	TQI	7000-1002	N/A	15JN15	66 CKT PASS THROUGH ADAPTERS	N/A	N/A	N/A	BLACK	AVAILABLE
47	TQI	79917-0061	N/A	15JN15	73 CKT PASS THROUGH ADAPTERS	N/A	N/A	N/A	BLACK	AVAILABLE
48	TQI	79917-0066	N/A	15JN15	80 CKT PASS THROUGH ADAPTERS	N/A	N/A	N/A	BLACK	AVAILABLE

\* - MX123 DRESS COVER 52/66/73/80 CKT MATES TO ANY MX123 HARN CONN ASSY SHOWN ON TABLE ABOVE



PAGE TITLE  
COMPONENT TABLE

DRAWING NUMBER

12672833

DWG STATUS

ST	REV	PD1
R	001	

PAGE NUMBER

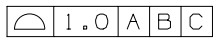
5 OF 22

NOTES: UNLESS OTHERWISE SPECIFIED

1. MATERIAL FOR INTERFACE:


- A. RESIN:
  - 1. 30% G.F. PBT; 20% MAX. (BY WEIGHT) REGRIND.
  - 2. MATING CONNECTOR INTERFACE PART COLOR MUST BE SAME AS MATCHING KEYED HARNESS CONNECTOR ASSEMBLY.
  - 3. MUST BE VALIDATED FOR INDIVIDUAL DEVICE APPLICATION REQUIREMENTS.
- B. 0.64MM PINS:
  - 1. BASE MATERIAL: COPPER ALLOY; CONDUCTIVITY >= 28% IACS AT 20°C; TENSILE STRENGTH >= 635 N/mm<sup>2</sup>; SURFACE ROUGHNESS R<sub>a</sub> 6 MAX.
  - 2. PLATING FINISH: SILVER (Ag). PLATING TO BE 1.9-3.3 μm ELECTRODEPOSITED SEMI-BRIGHT SILVER OVER 1.25-2.25 μm DUCTILE SULPHAMATE NICKEL PER NOTE 1(D).
  - 3. ANTI-TARNISH: SYNTHETIC HYDROCARBON CONTACT SURFACE FINISH OR EQUIVALENT APPLIED WITHOUT VOID TO CONTACT AREA (MIN 3.7mm FROM PIN TIP).
- C. 2.8MM BLADE:
  - 1. BASE MATERIAL: COPPER ALLOY; CONDUCTIVITY >= 28% IACS AT 20°C; TENSILE STRENGTH >= 350 N/mm<sup>2</sup>; SURFACE ROUGHNESS R<sub>a</sub> 6 MAX.
  - 2. PLATING FINISH: TIN. PLATING TO BE 2.5-5.0 μm ELECTRODEPOSITED TIN, MATTE FINISH OVER 1.25-2.5 μm DUCTILE SULPHAMATE NICKEL PER NOTE 1(D).
- D. PLATING REQUIREMENTS:
  - 1. SILVER PLATING
    - a. 99.5% PURE SEMI-BRIGHT WITH NO ORGANIC BRIGHTNERS OR CHROMATES.
  - 2. NICKEL PLATING
    - a. ELECTRODEPOSITED DUCTILE SULFAMATE NICKEL WITH A NON-BRIGHTENED FINISH. NO ORGANIC OR BRIGHTENING AGENTS SHALL BE ALLOWED.
    - b. SHALL ONLY BE USED AS AN UNDERLYING PLATING AND MAY NOT BE USED AS AN ELECTRICAL CONTACT SURFACE PLATING.
    - c. SHALL BE NODULE FREE WHEN VIEWED AT 10X MAGNIFICATION IN MEASURED IN CONTACT SURFACE AREA PLUS 0.5MM PERIMETER AROUND THE CONTACT SURFACE AREA.
    - d. ALL PLATINGS SHALL HAVE A 1.0% MAXIMUM BY WEIGHT IMPURITIES. IMPURITIES ARE DEFINED AS ALL ELEMENTS NOT THE PRIMARY PLATING OR HARDENING AGENT IF APPLICABLE, AS DETERMINED BY WET CHEMICAL ANALYSIS OR AUGER METHOD. NO SINGLE IMPURITY SHALL EXCEED 0.1% MAXIMUM BY WEIGHT.
  - 3. TESTING
    - a. THICKNESS TO BE MEASURED IN CONTACT SURFACE AREA PLUS 0.5MM PERIMETER AROUND THE CONTACT SURFACE AREA AS DESIGNATED IN THE DRAWING. THICKNESS SHALL BE DETERMINED BY METHOD OF X-RAY (XRF).
    - b. PLATING ADHESION SHALL BE TESTED BY A BEND TEST FOR ALL METALS. THE TEST SAMPLE SHALL BE BENT 90 DEGREES TO DETERMINE DEPOSIT ADHESION. TESTING SHALL BE COMPLETED IN ACCORDANCE WITH ASTM SPEC B571.

2. DESIGN - GENERAL:

- A. THIS IS A 100% CAD GENERATED PART. THE CAD MATHEMATICAL DATA IS THE MASTER FOR THIS PART. FOR DIMENSIONAL OR ANY INFORMATION NOT SHOWN ON THIS DRAWING, ANALYZE THE CAD MODEL.
- B. TOLERANCES:
  - 1. LINEAR
    - 0.X ± 0.30
    - 0.XX ± 0.10
    - 0.XXX ± 0.10
  - 2. ANGULAR X° ± 3°
  - 3. 
- C. MINIMUM WALL THICKNESS REQUIRED: 1.3mm.
- D. CORNERS SHOWN AS SHARP TO BE R 0.2 MAX.
- E. LETTERING SHALL BE 0.15 MAX RAISED IN 0.20 MAX RECESS PAD. THIS INCLUDES MATERIAL CODE, RECYCLING CODE, CAVITY ID AND DATE CODE.
- F-1. PARTS MUST BE FREE OF DISCOLORATION, SALT RESIDUE AND OTHER IMPERFECTIONS THAT AFFECT FIT OR FUNCTION.
- F-2. SCRATCHES OR DENTS NOT TO EXCEED 0.013mm IN DEPTH.
- G. FOLLOWING PRODUCTION CODES TO BE PERMANENTLY MARKED & HUMAN READABLE TO A LETTER HEIGHT OF 1.5 ± 0.5MM X 0.3 MAX DEEP
  - 1. MATERIAL #: XXXXX-XXXX
  - 2. DATE CODE: JJYY (JULIAN DAY, LAST DIGIT OF YEAR)
  - 3. INSPECTION MACHINE CODE + SERIAL #: X\_XXXXX

3. DESIGN - MANUFACTURING:

- A. DRAFT TO BE WITHIN TOLERANCE.
- B. ALLOWABLE FLASH MAX 0.2 HIGH X MAX 0.13 THICK.
- C. ALLOWABLE PARTING LINE MISMATCH 0.2 MAX.
- D. EJECTOR PINS MARK TO BE FLUSH TO 0.25 MAX DEPRESSED.
- E. ALLOWABLE GATE VESTIGE FLUSH TO 0.25 MAX PROTRUSION.
- F. NO EXTERNAL MOLD RELEASE AGENT ALLOWED DURING MANUFACTURING.
- G. STEEL THAT FORMS THE INDICATED SURFACE MUST BE POLISHED WITH A DIAMOND FINISH (SPI A-2) OVER THE FULL PERIPHERY OF THE TOOL. SURFACE MUST HAVE NO MISMATCH.
- H. ANY PROCESS LUBRICANT REMAINING ON THE TERMINAL MUST NOT VARNISH OR DEGRADE IT'S ELECTRICAL PERFORMANCE UP TO A MAXIMUM CLASS AMBIENT TEMPERATURE PER SAE USCAR-2 FOR 1008 HOURS. PROCESS LUBRICANTS SHOULD BE APPROVED BY THE RESPONSIBLE ENGINEER.
- J. OPTIONAL FEATURES PROVIDED FOR AUTOMATION.
- K. PART MUST BE FREE FROM BURRS AND SHARP EDGES, WHICH MIGHT BE DETRIMENTAL TO SATISFACTORY ASSEMBLY, SAFE HANDLING OR FUNCTION OF PART.
- L. PARTS AS DELIVERED TO ASSEMBLY SHALL BE CLEAN AND FREE OF DEBRIS, RESIDUAL ABRASIVE MATERIAL AND CORROSION PRODUCTS ADVERESLY AFFECTING FUNCTION OR APPEARANCE.
- M. RESTRICTED AND REPORTABLE SUBSTANCES FOR PARTS PER GMW3059.

	PAGE TITLE	DRAWING NUMBER	DWG STATUS			PAGE NUMBER	
	NOTES		12672833	ST	REV	PDI	6 OF 22
				R	001		

NOTES: UNLESS OTHERWISE SPECIFIED

4. SYSTEM REQUIREMENTS:

- A. HARNESS CONNECTOR IS COMPATIBLE WITH THE FOLLOWING ISO WIRE SIZE NO'S:  
 0.35mm<sup>2</sup>, MEETING GMW15626 - MIN OD OF 1.30MM  
 0.50mm<sup>2</sup>, MEETING GMW15626  
 0.75mm<sup>2</sup>, MEETING GMW15626 - MAX OD OF 2.06MM

B. CABLE TIE SPECIFICATIONS:

1. CABLE TIE:  
 TENSILE RATING: 220N / (50lbs) MIN  
 TIE LENGTH: 186mm MIN  
 TIE WIDTH: 4.75mm MAX  
 MATERIAL: NYLON  
 2. INSTALLATION:  
 CABLE TIE TENSION: 190N MIN  
 3. DRESSED WIRE BUNDLE PACKAGING: SEE FIG. 1

C. WHEN MATED WITH COMPONENT CONNECTOR INTERFACE AND/OR DRESS COVER, HARNESS CONNECTOR SYSTEM CONFORMS TO THE FOLLOWING:

1. SAE/USCAR-2, REV: 3 APRIL, 2001; CLASS 3  
 2. FIELD CORRELATED LIFE TEST, SAE/USCAR-20, NOV. 2001  
 3. GMW #3191 AUGUST 22, 2000 (DRAFT); TEMPERATURE CLASS 3, SEALING CLASS 1, VIBRATION CLASS 2  
 4. RESTRICTED AND REPORTABLE CHEMICALS PER GMW #3059, REV: D AUGUST 2002  
 5. TPA USER FORCES (FULLY POPULATED WITH TERMINALS)  
 a. REMOVAL FROM LOCK TO PRE-SET: <=120N

D. WIRE SPECIFICATIONS:

1. WIRE SURFACE MUST BE FREE OF SCRATCHES, GROOVES OR DENTS WHERE FUNCTIONAL

5. TERMINAL CURRENT RATINGS:

A. MX64 RCPT TERM

ALL TESTING DONE IN ACCORDANCE WITH USCAR-2 REV5 SECTION 5.3

1. MX64 RCPT TERM Ag 0.50/0.75mm<sup>2</sup> CRIMPED TO 0.75mm<sup>2</sup> ISO WIRE AND MATED TO MX123 0.64MM PIN: SEE TABLE BELOW  
 2. MX64 RCPT TERM Ag 0.35mm<sup>2</sup> CRIMPED TO 0.35mm<sup>2</sup> ISO WIRE AND MATED TO MX123 0.64MM PIN: SEE TABLE BELOW

WIRE	CURRENT RATING			
	23°C	85°C	105°C	125°C
0.75mm <sup>2</sup>	11.3A	11.3A	9.5A	6.6A
0.50mm <sup>2</sup>	10.0A	10.0A	8.3A	5.7A
0.35mm <sup>2</sup>	8.5A	8.5A	7.1A	5.0A

B. 2.8MM RCPT TERM

ALL TESTING DONE IN ACCORDANCE WITH MOLEX DVP&R 0279 (TR # 7125)

1. 2.8MM RCPT TERM TIN 2.0mm<sup>2</sup> CRIMPED TO 2.0mm<sup>2</sup> ISO WIRE AND MATED TO MX123 2.8MM BLADE: 25.6 AMPS AT 125°C

6. CONTACT MOLEX AUTOMOTIVE FOR AVAILABLE CUSTOM PATTERNS OF CAVITIES OPEN FOR CIRCUITS - SEE GM DRAWING 13507496



PAGE TITLE  
NOTES

DRAWING NUMBER

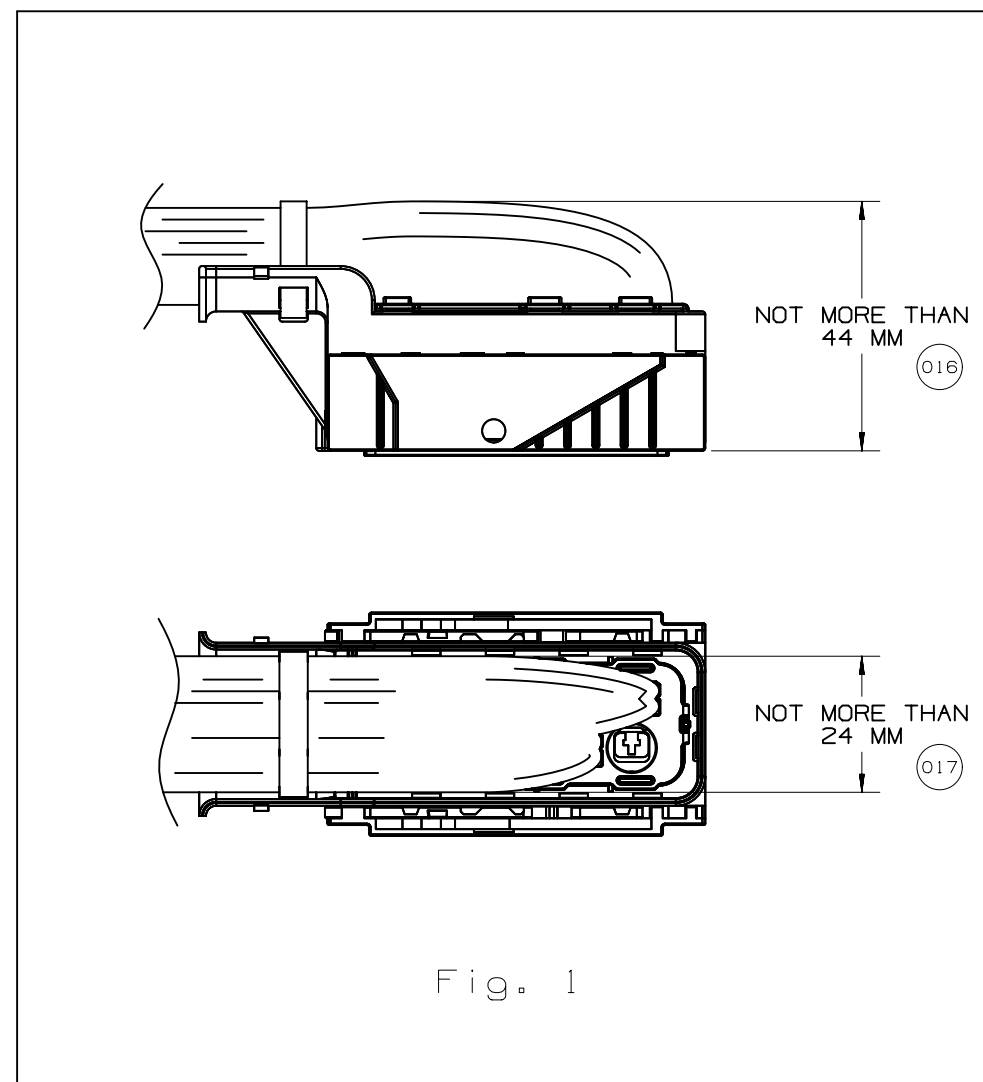
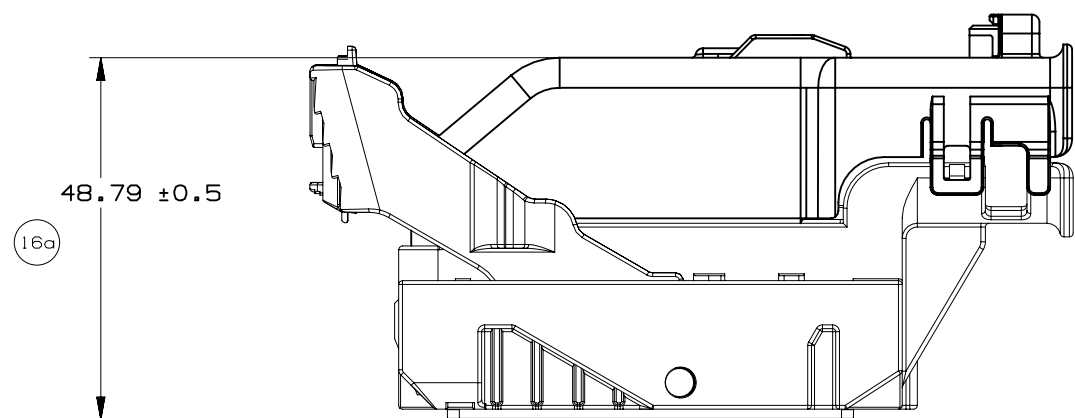
12672833

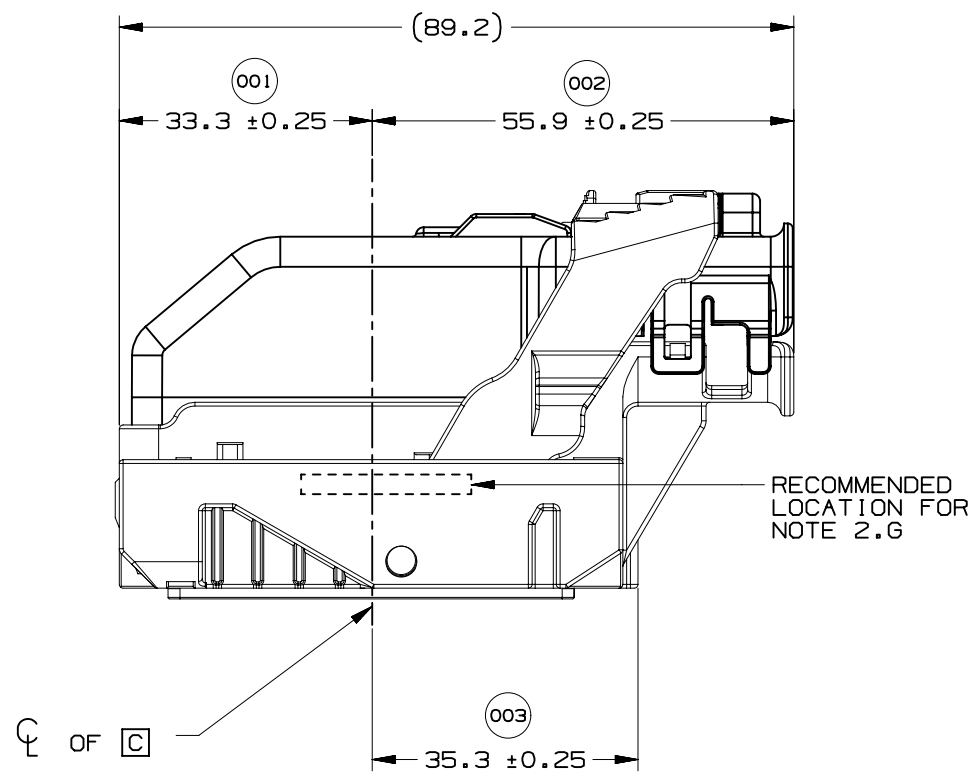
DWG STATUS

ST	REV	PDI
R	001	

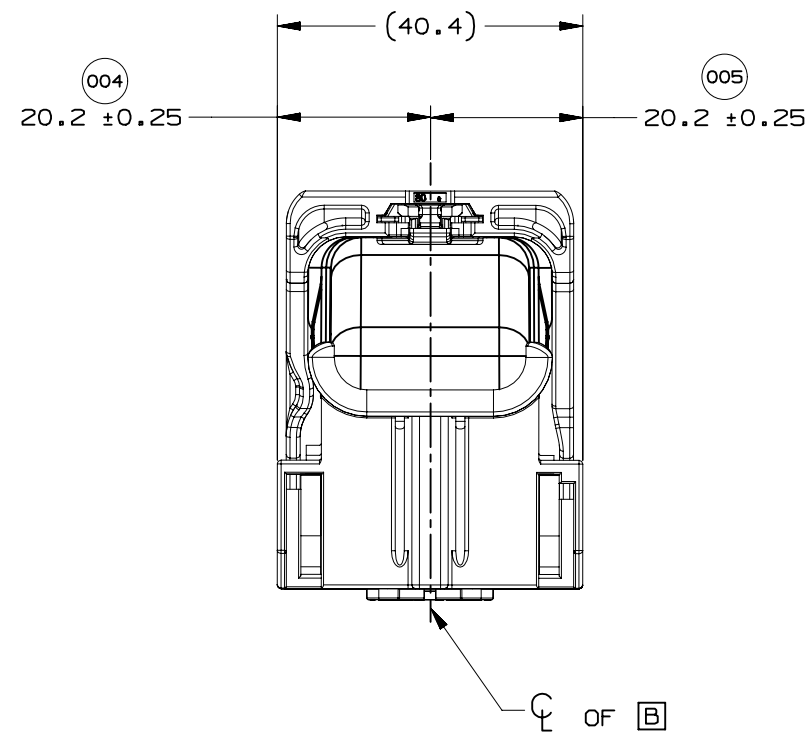
PAGE NUMBER

7 OF 22

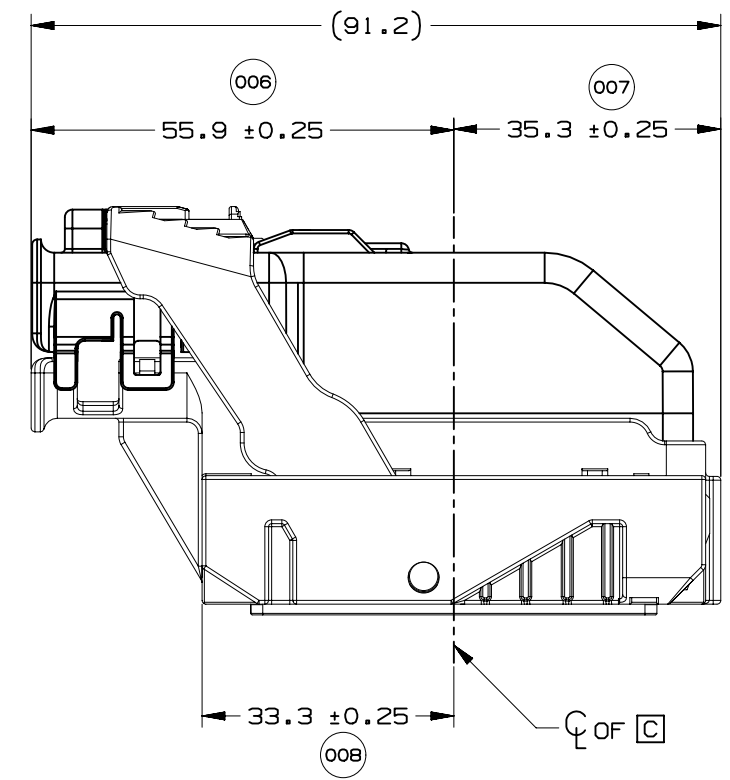




WIRE DRESS OPTION 0 SHOWN

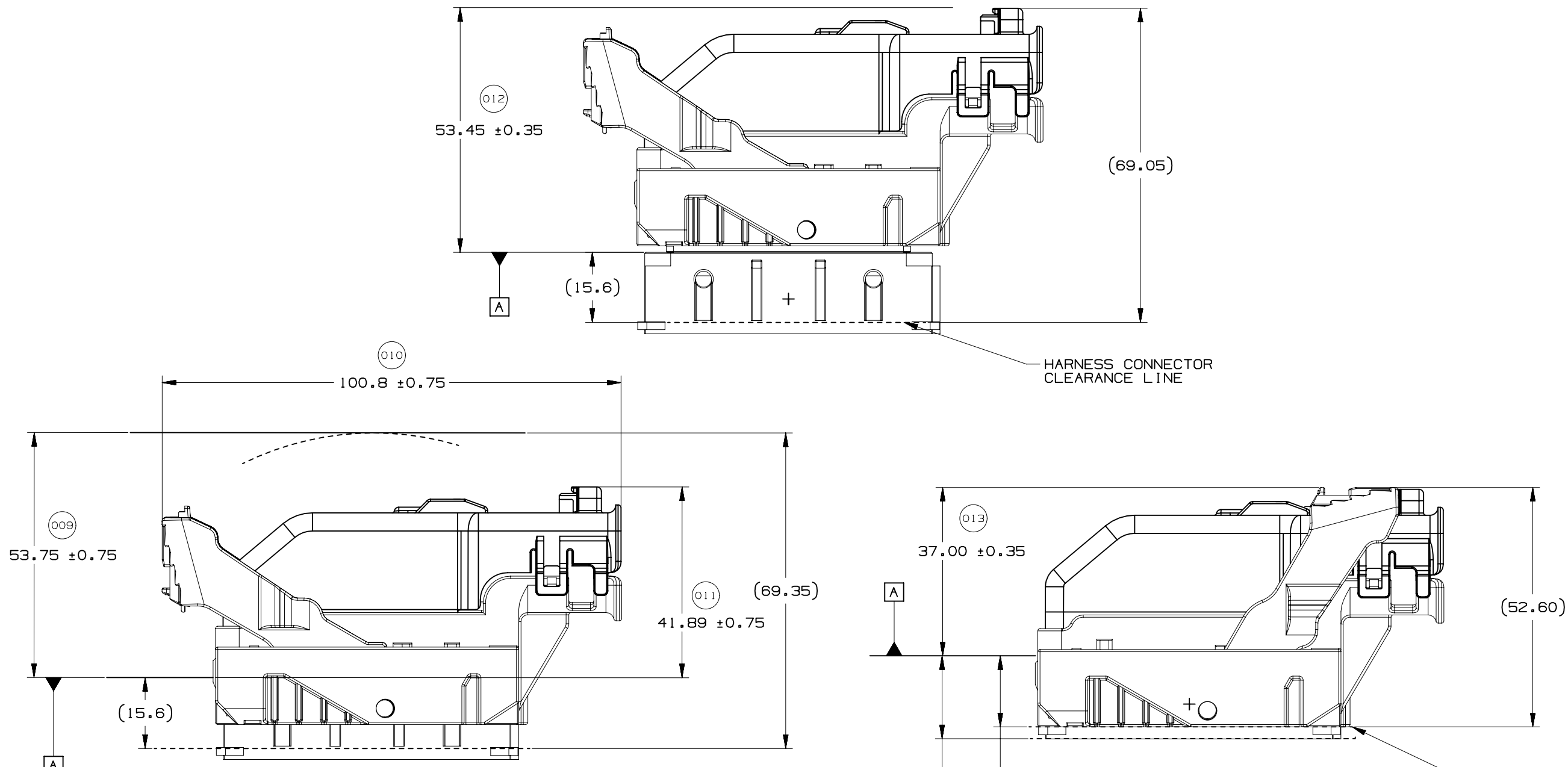


WIRE DRESS OPTION 0 SHOWN



WIRE DRESS OPTION 9 SHOWN





HARNESS CONNECTOR CLEARANCE LINE

HARNESS CONNECTOR ASSEMBLY IN FULLY-MATED POSITION

HARNESS CONNECTOR CLEARANCE LINE

15.6 MIN. ALL AROUND CLEARANCE REQUIRED FOR HARNESS CONNECTOR (014)

17.9 MIN. AT PAD LOCATION CLEARANCE REQUIRED FOR HARNESS CONNECTOR CONSTRUCTION BELOW THIS PLANE IS NOT CONTROLLED (015)



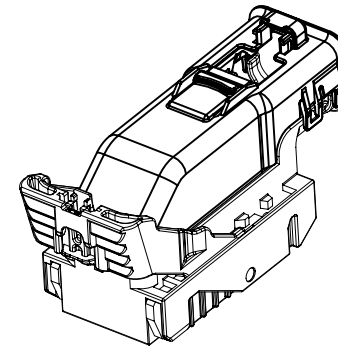
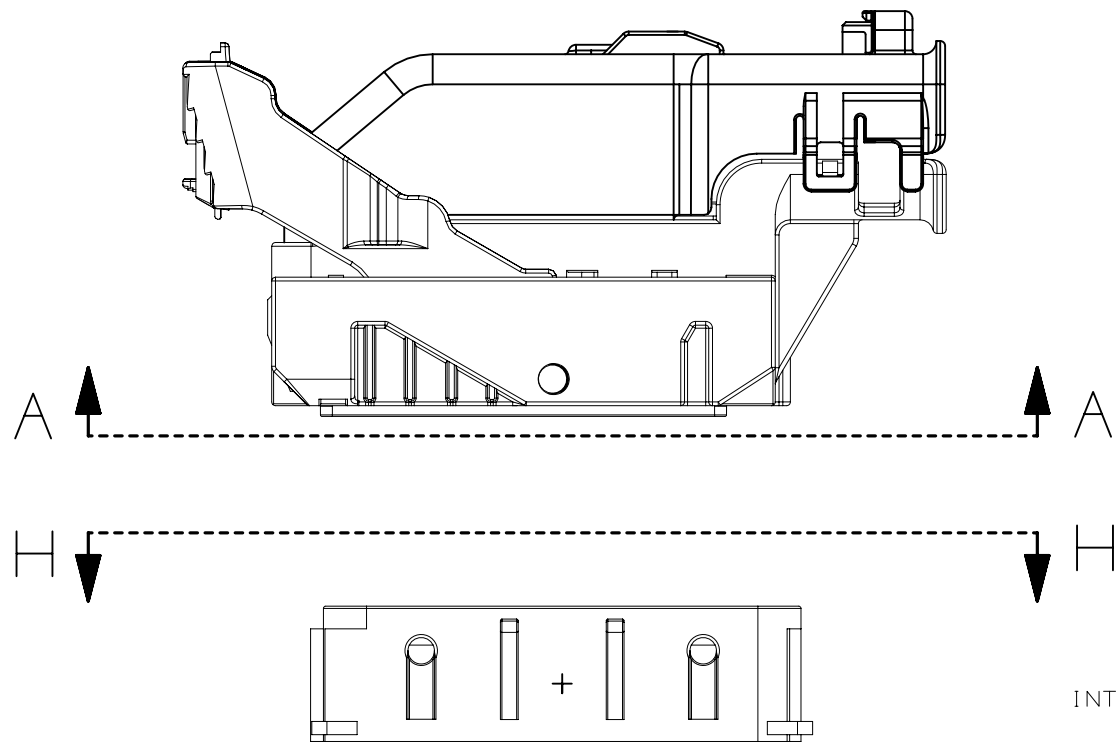
PAGE TITLE  
LOCATION AND PACKAGING DIMENSIONS  
REFERENCING INTERFACE DATUM A

DRAWING NUMBER  
12672833

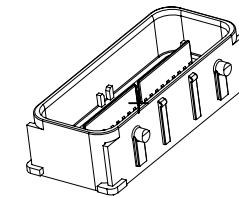
DWG STATUS		
ST	REV	PD1
R	001	

PAGE NUMBER  
10 OF 22

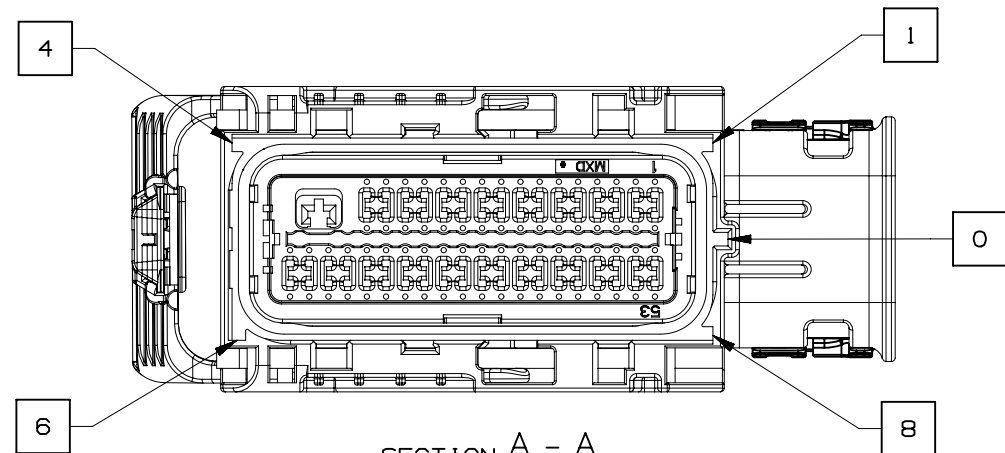




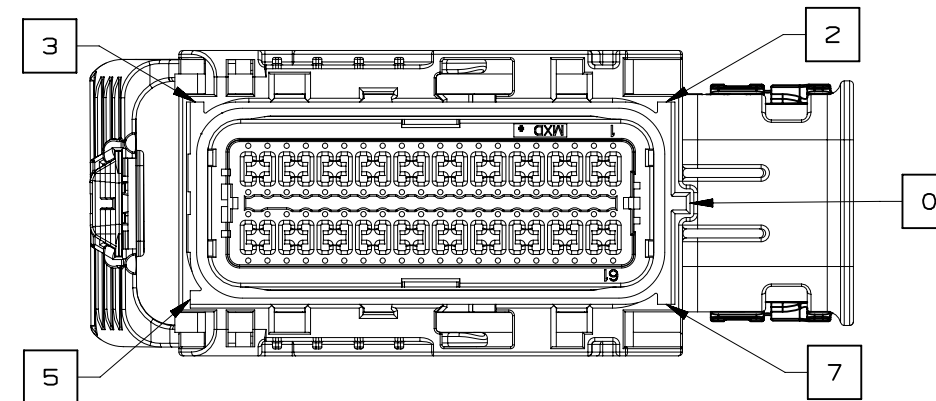
NOTE: REFERENCE THE COMPONENT TABLE FOR KEY OPTIONS AND CONFIGURATIONS



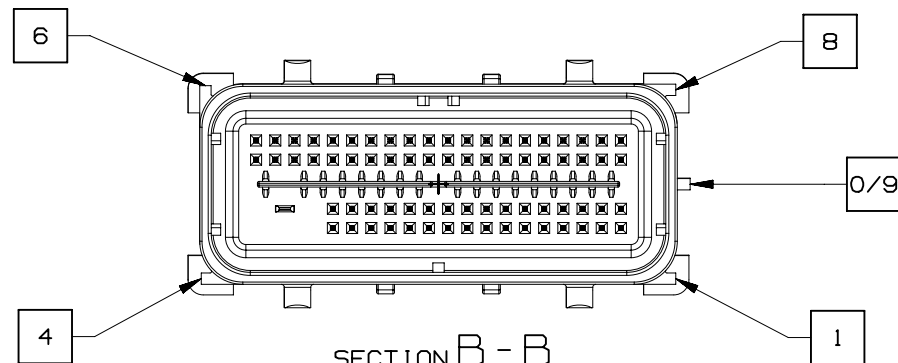
INTERFACE SIDE SHOWN ON ALL SECTION VIEWS



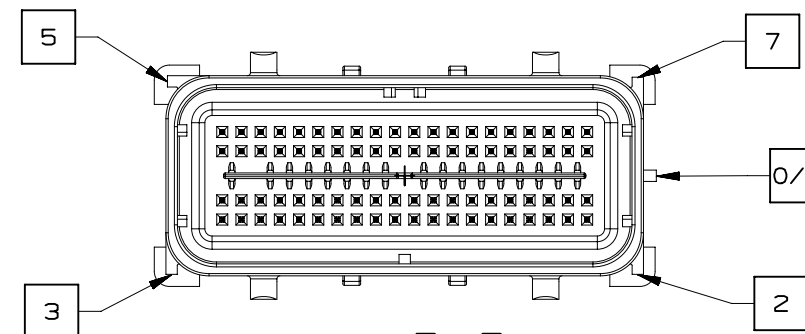
SECTION A - A  
73 CKT HARNESS CONNECTOR ASSEMBLY  
KEY OPTION B SHOWN



SECTION A - A  
80 CKT HARNESS CONNECTOR ASSEMBLY  
KEY OPTION K SHOWN



SECTION B - B  
73 CKT HARNESS CONNECTOR ASSEMBLY  
KEY OPTION B SHOWN



SECTION B - B  
80 CKT HARNESS CONNECTOR ASSEMBLY  
KEY OPTION K SHOWN

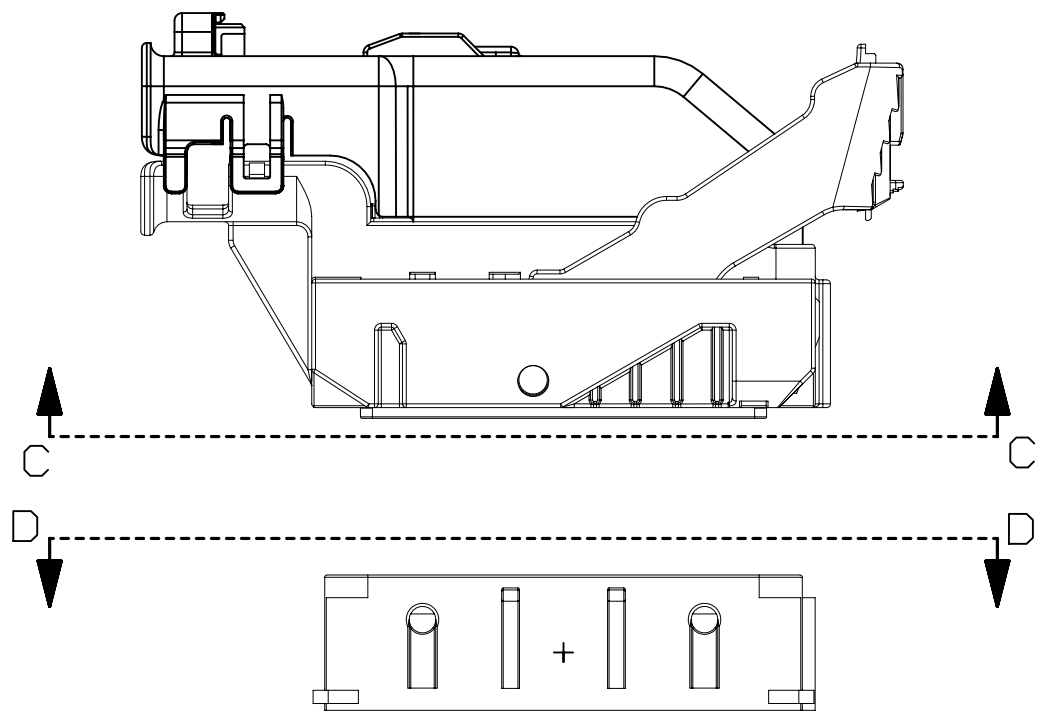


PAGE TITLE  
KEY ID REF - WIRE DRESS OPTION 0

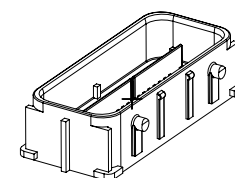
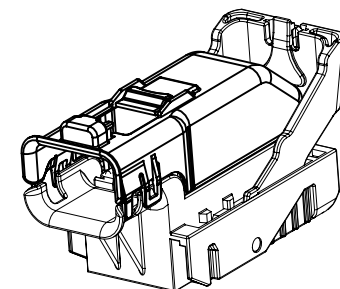
DRAWING NUMBER  
12672833

DWG STATUS		
ST	REV	PD1
R	001	

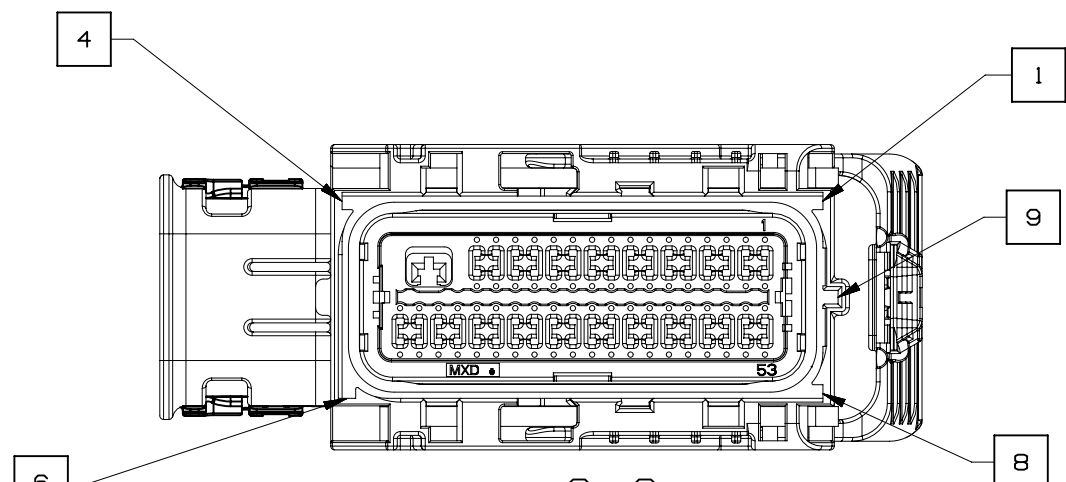
PAGE NUMBER  
11 OF 22



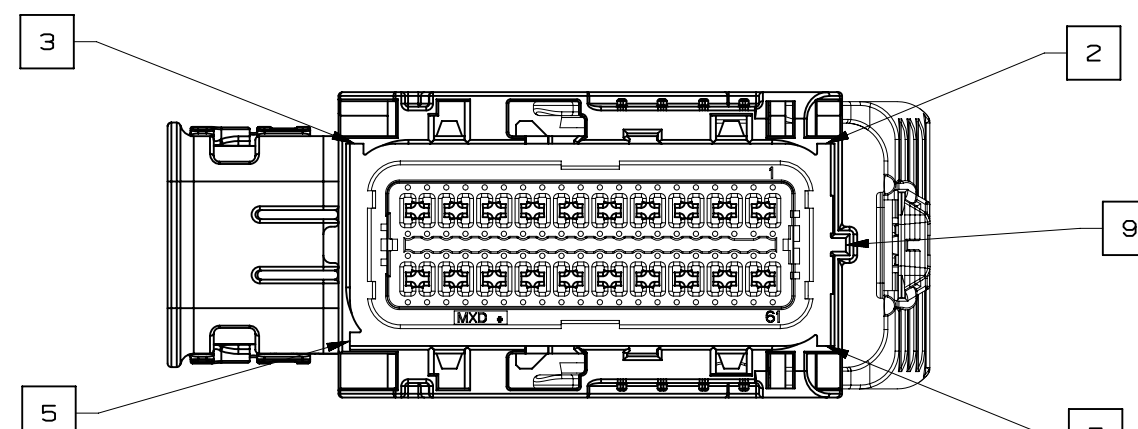
INTERFACE SIDE SHOWN ON ALL SECTION VIEWS



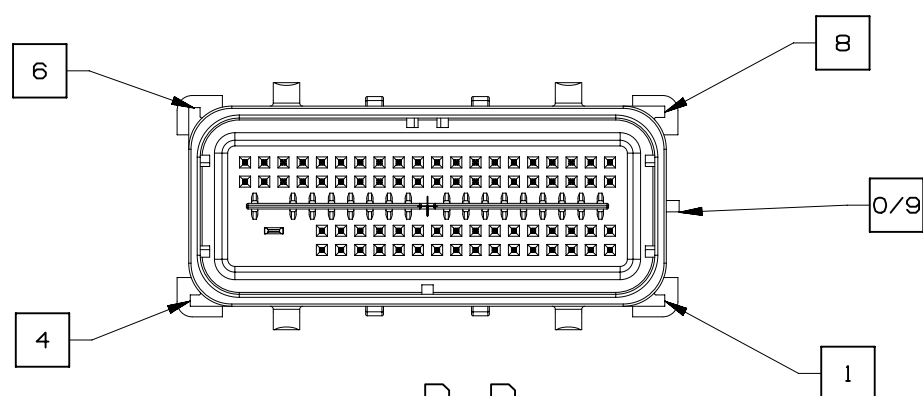
NOTE: REFERENCE THE COMPONENT TABLE FOR KEY OPTIONS AND CONFIGURATIONS



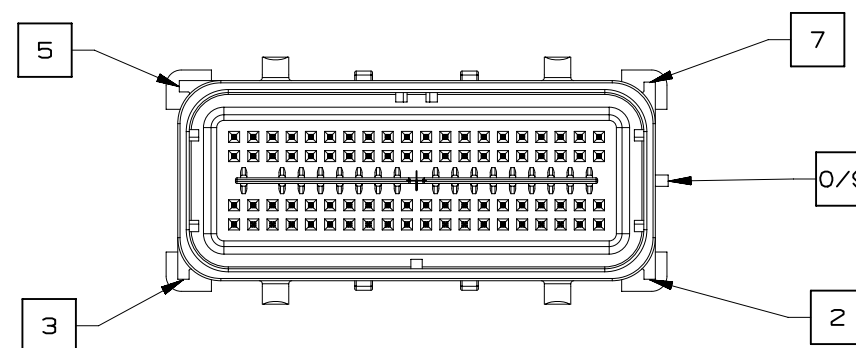
SECTION C - C  
73 CKT HARNESS CONNECTOR ASSEMBLY  
KEY OPTION B SHOWN



SECTION C - C  
80 CKT HARNESS CONNECTOR ASSEMBLY  
KEY OPTION K SHOWN



SECTION D - D  
73 CKT HARNESS CONNECTOR ASSEMBLY  
KEY OPTION B SHOWN



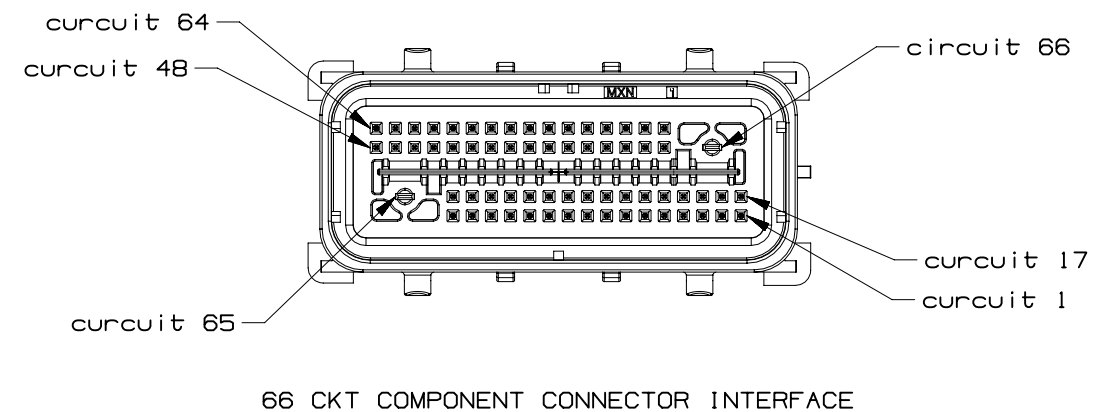
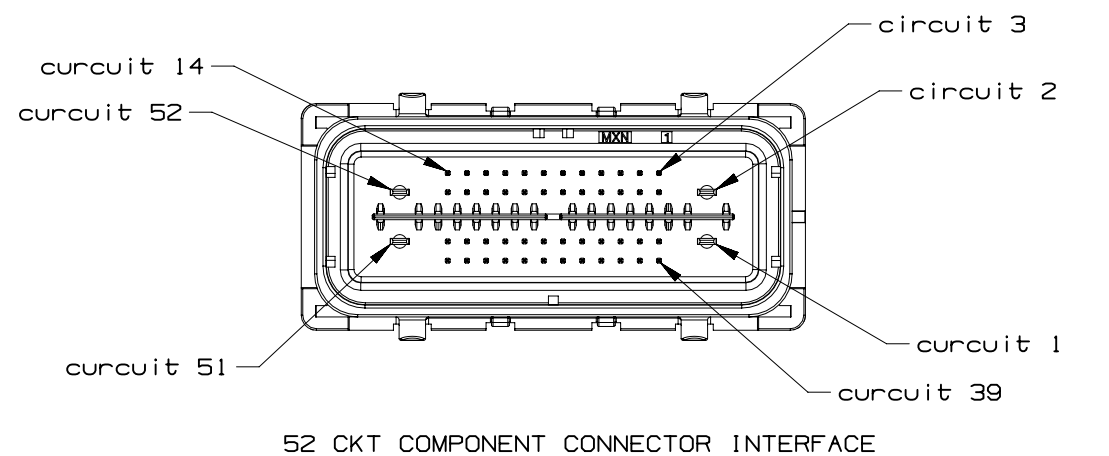
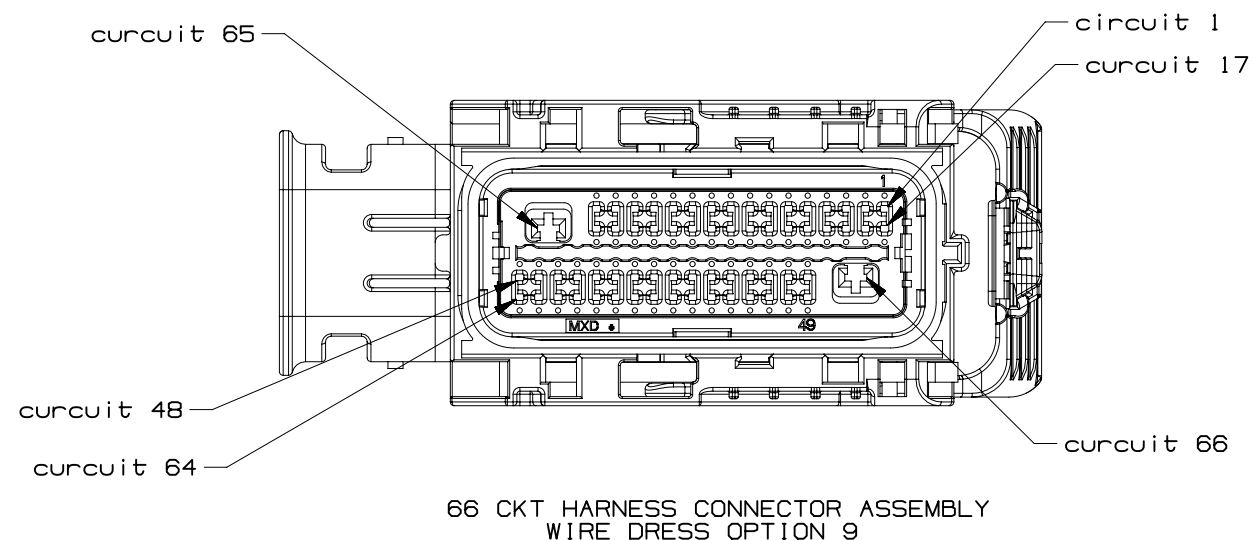
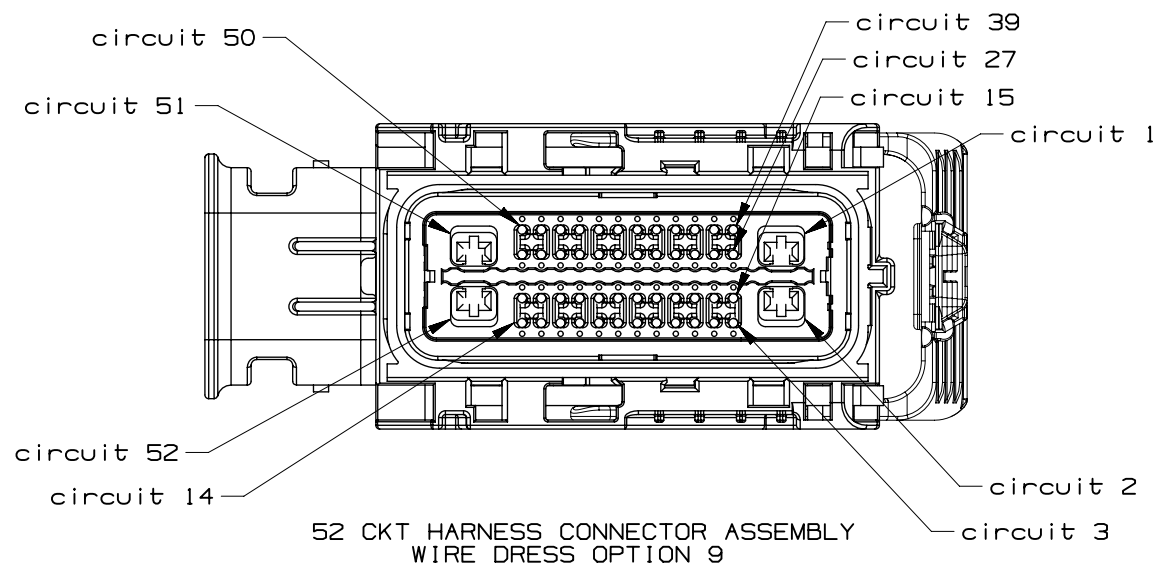
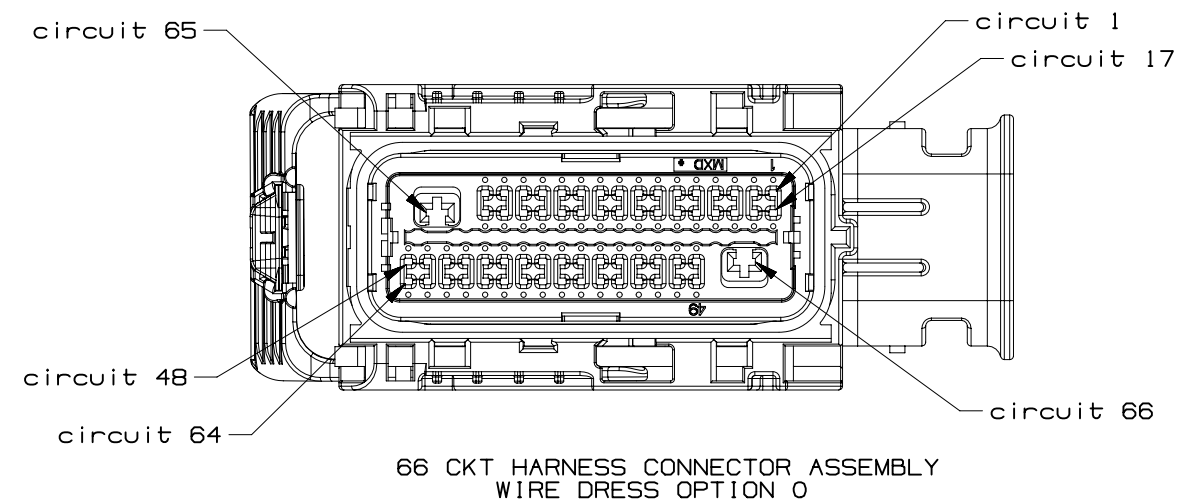
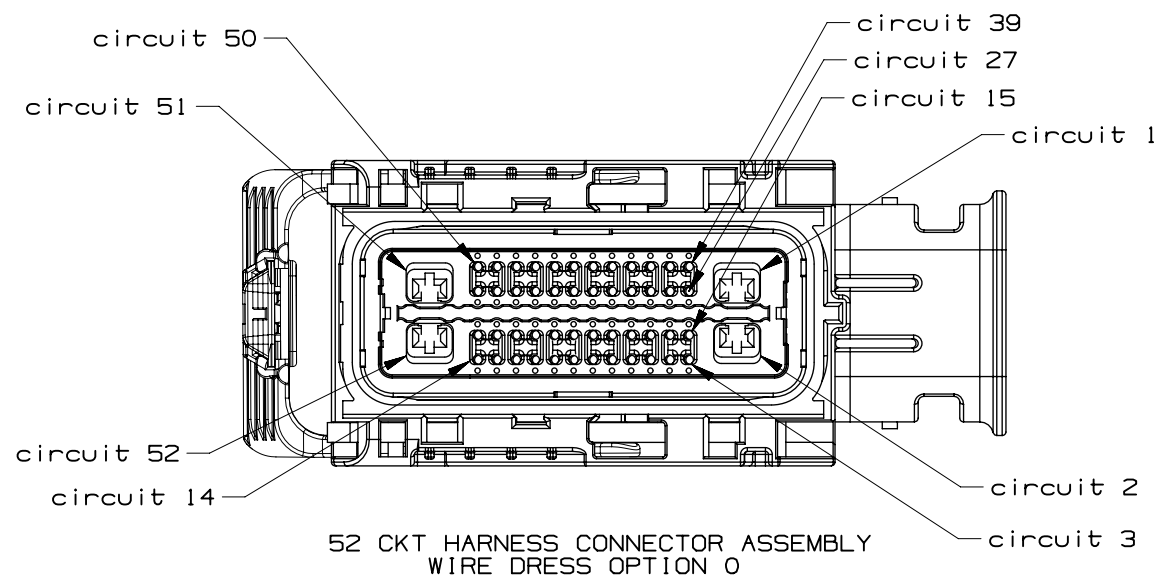
SECTION D - D  
80 CKT HARNESS CONNECTOR ASSEMBLY  
KEY OPTION K SHOWN

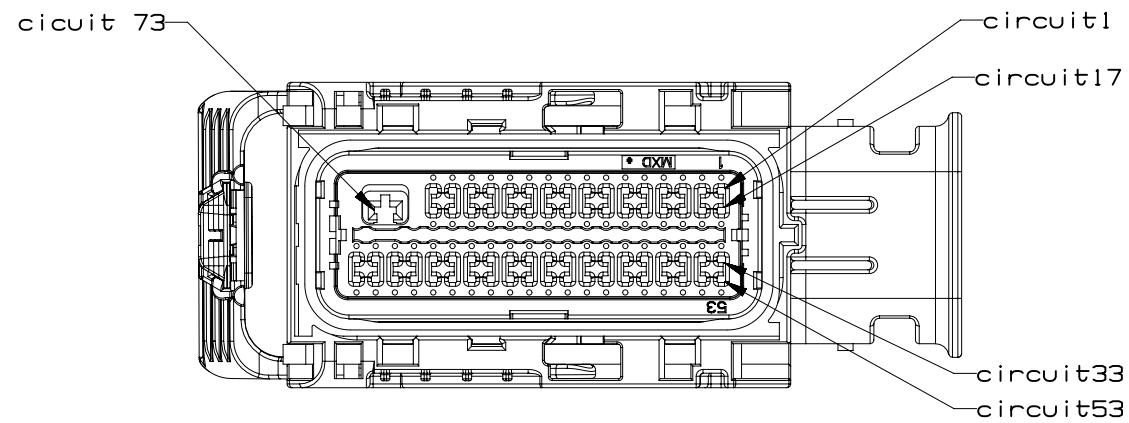


PAGE TITLE  
KEY ID REF - WIRE DRESS OPTION 9

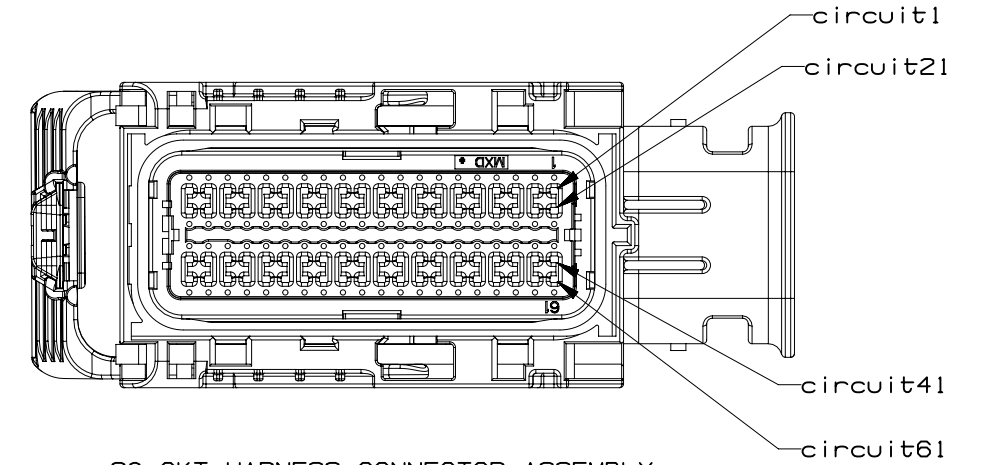
DRAWING NUMBER  
12672833

DWG STATUS			PAGE NUMBER
ST	REV	PD1	
R	001		12 OF 22



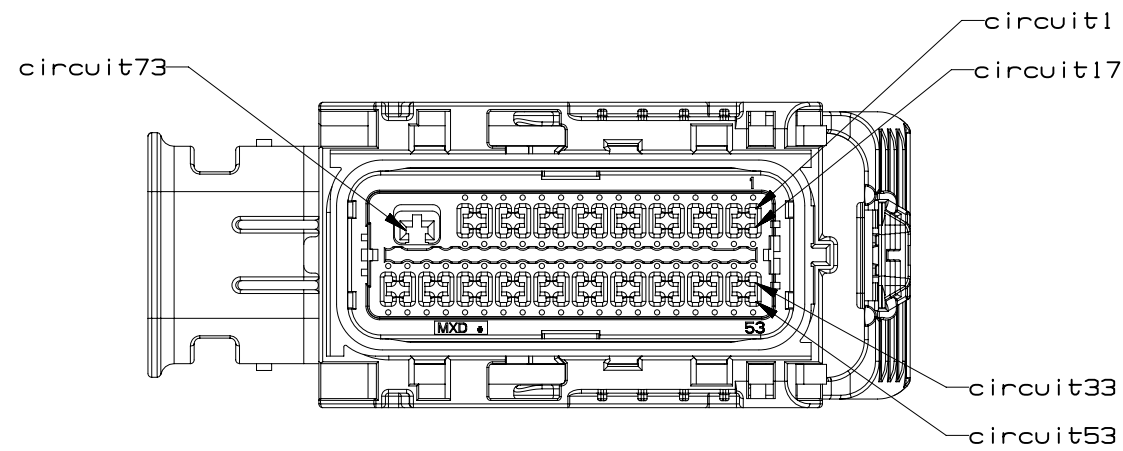


73 CKT HARNESS CONNECTOR ASSEMBLY  
WIRE DRESS OPTION 0

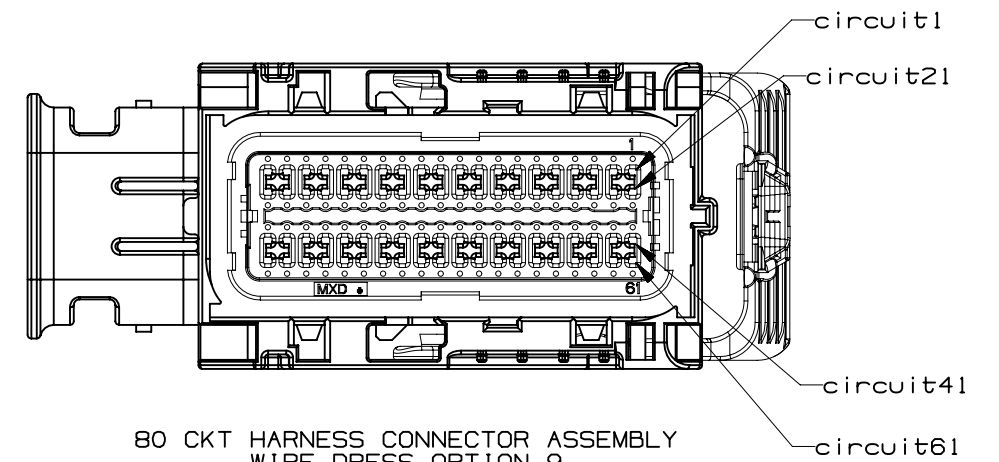


80 CKT HARNESS CONNECTOR ASSEMBLY  
WIRE DRESS OPTION 0

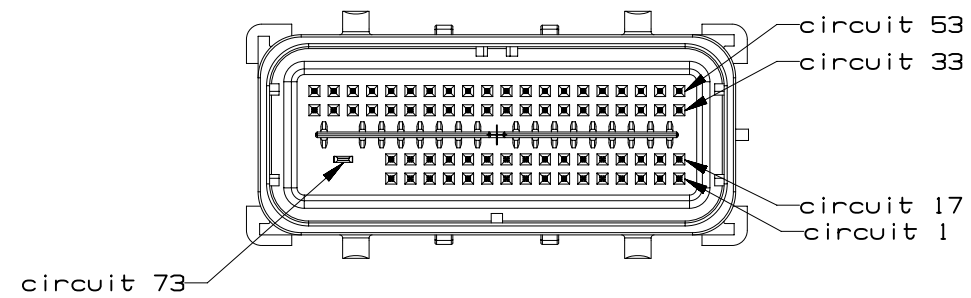
INTERFACE SIDE SHOWN ON ALL VIEWS



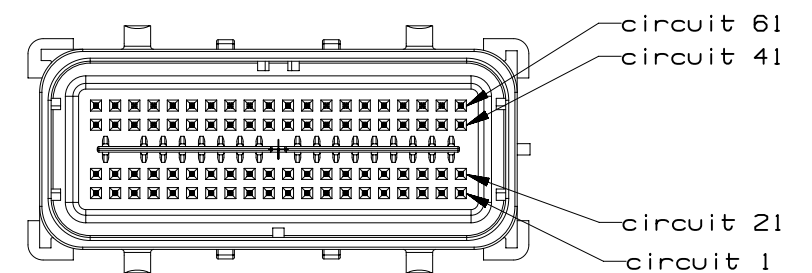
73 CKT HARNESS CONNECTOR ASSEMBLY  
WIRE DRESS OPTION 9



80 CKT HARNESS CONNECTOR ASSEMBLY  
WIRE DRESS OPTION 9

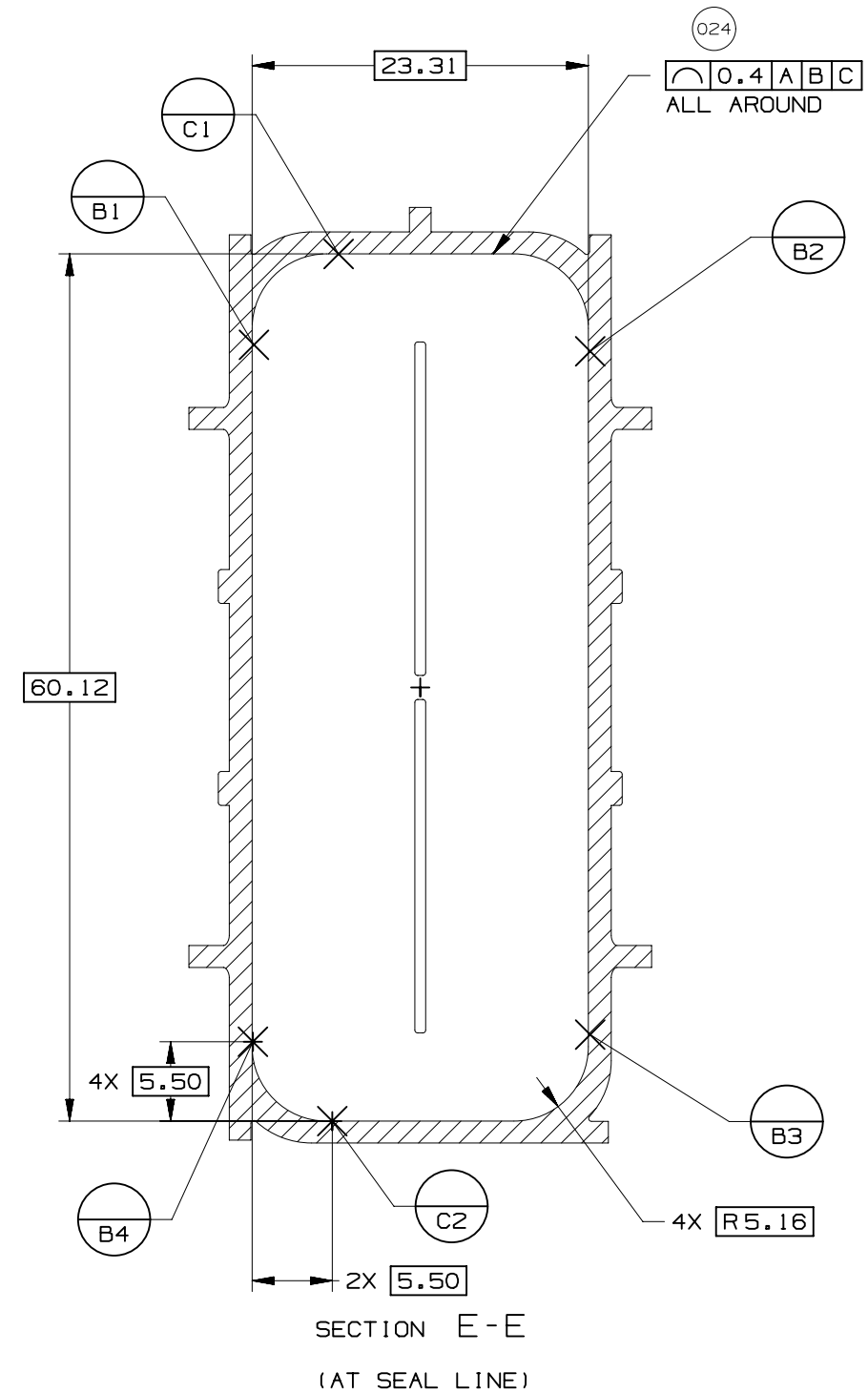
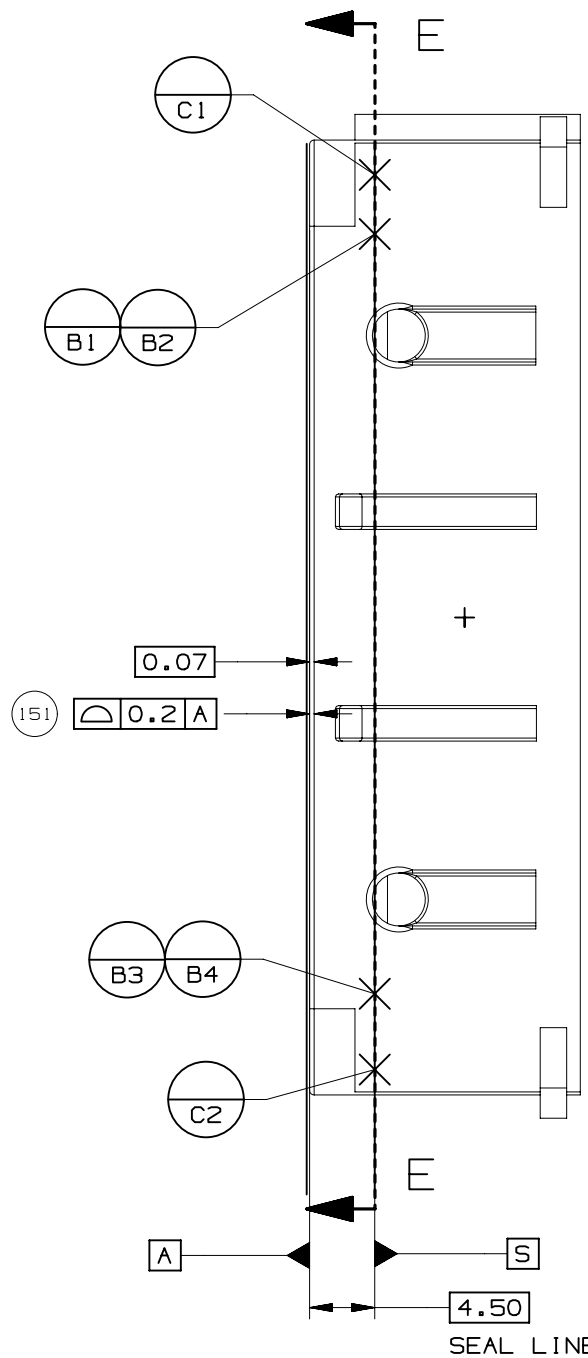
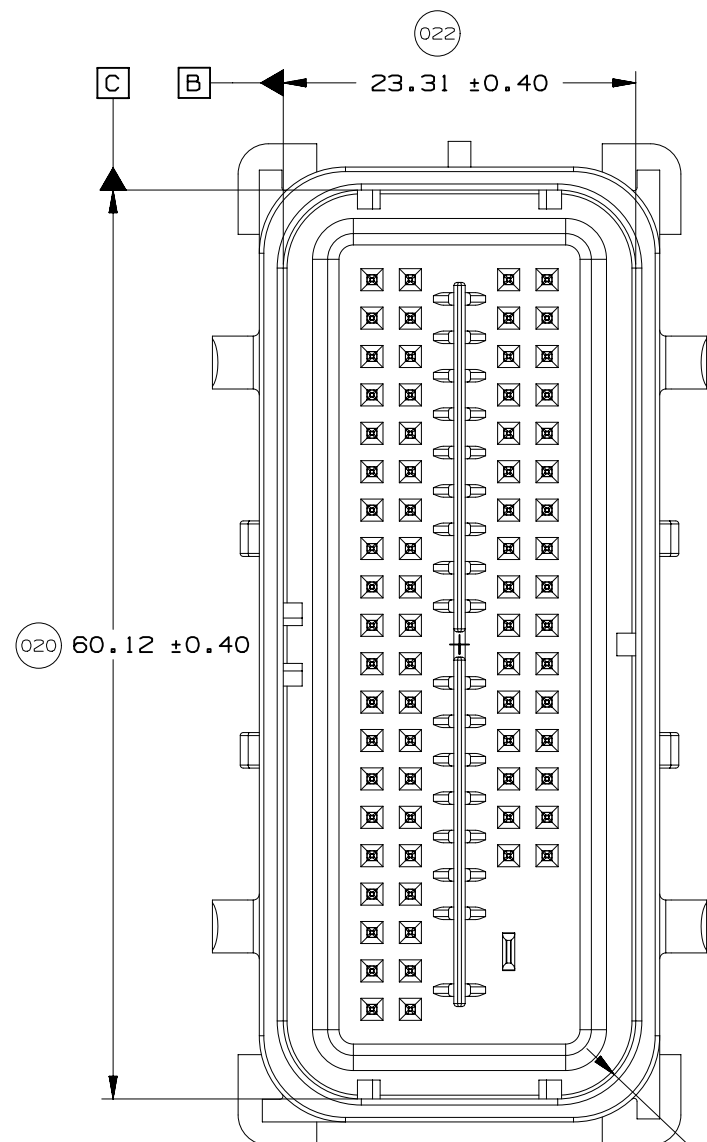
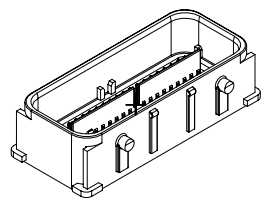


73 CKT COMPONENT CONNECTOR INTERFACE



80 CKT COMPONENT CONNECTOR INTERFACE





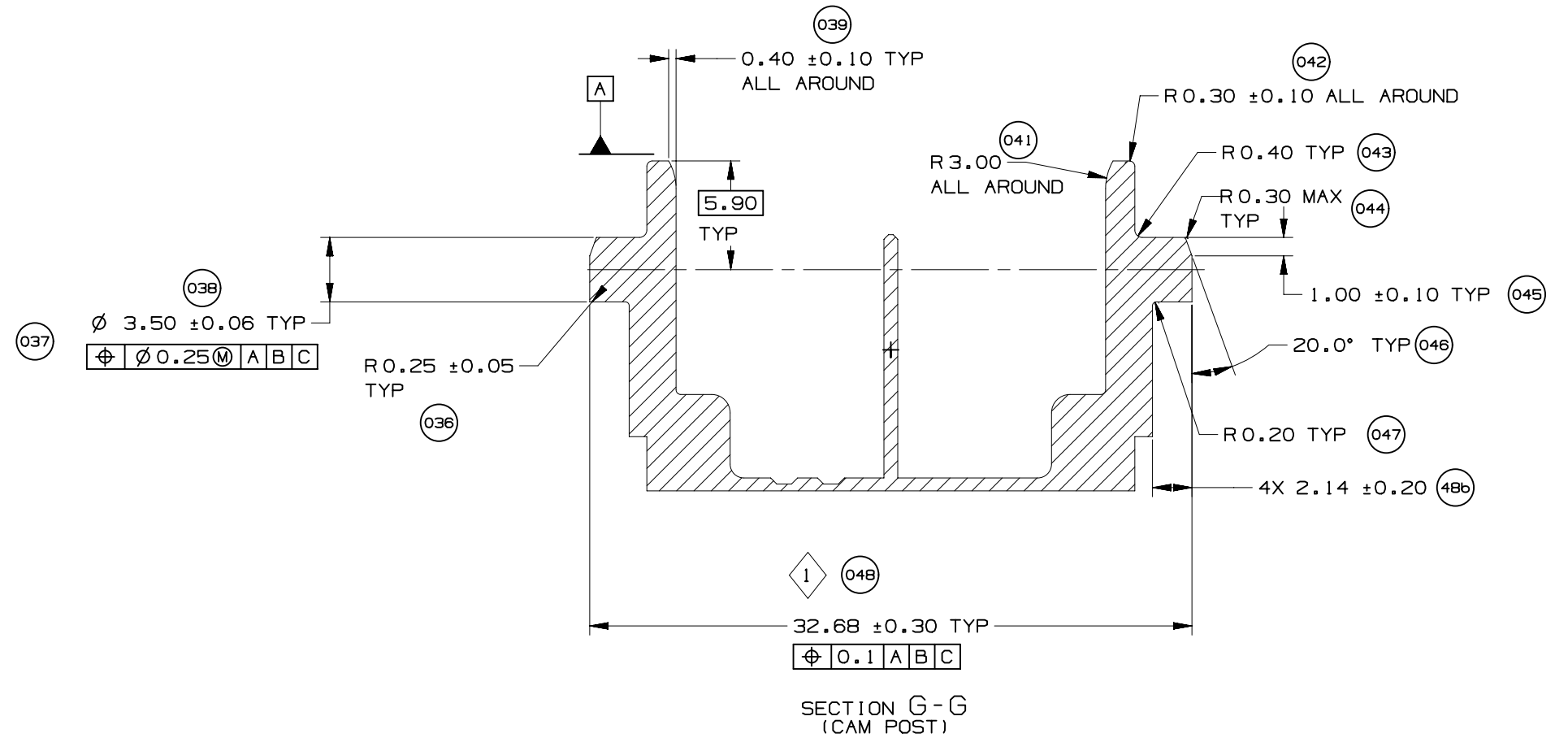
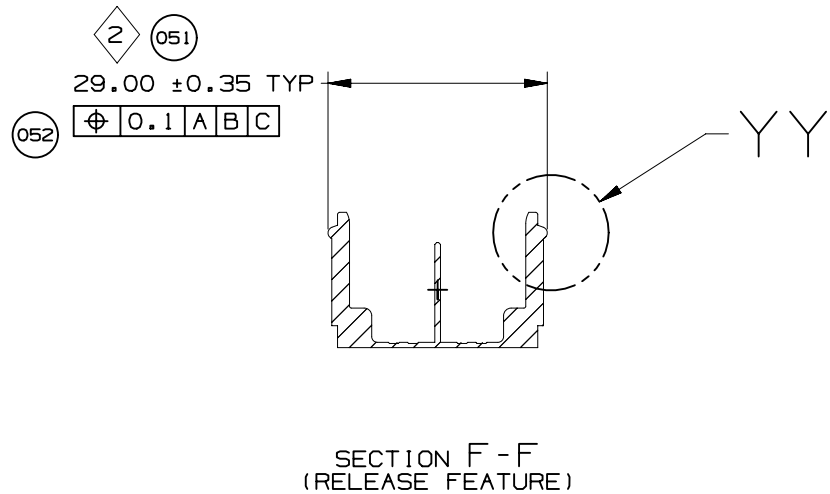
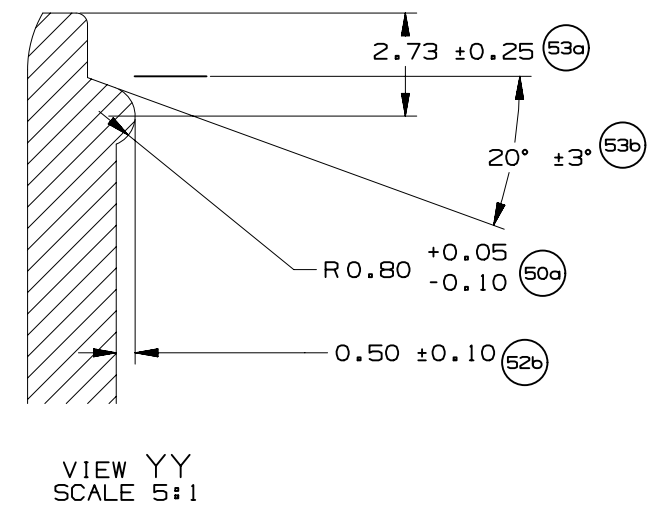
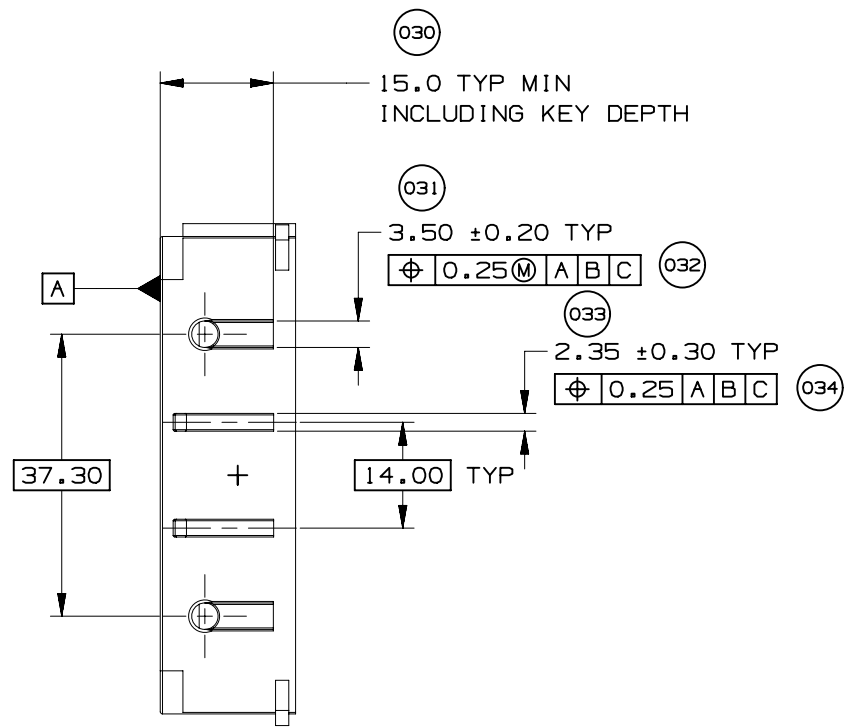
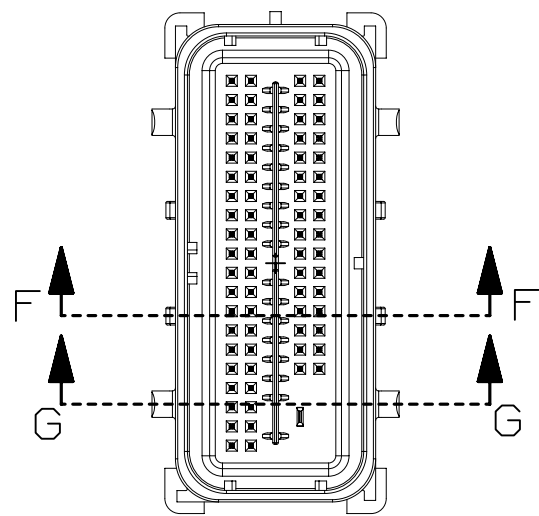
UNLESS SPECIFIED, TOLERANCE OF THE COMPONENT CONNECTOR INTERFACE TO BE  $\sqrt{0.13 A B C}$



PAGE TITLE  
COMPONENT CONNECTOR INTERFACE

DRAWING NUMBER  
12672833

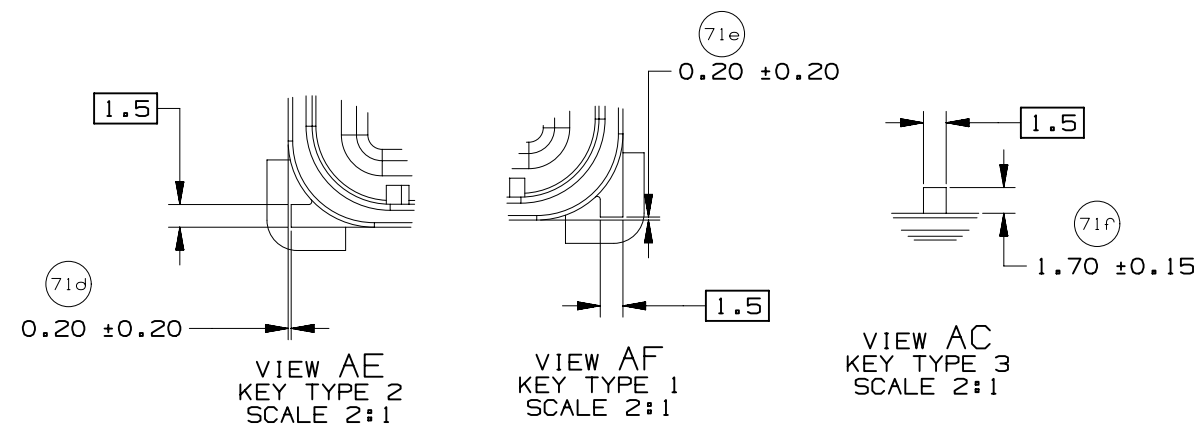
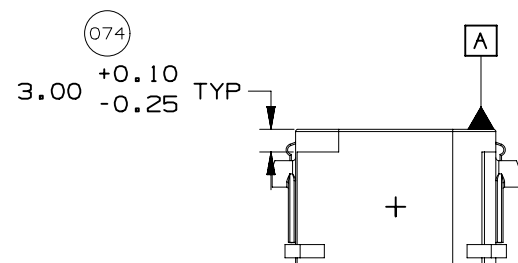
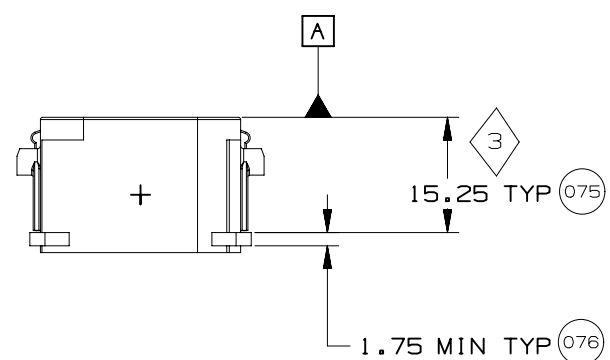
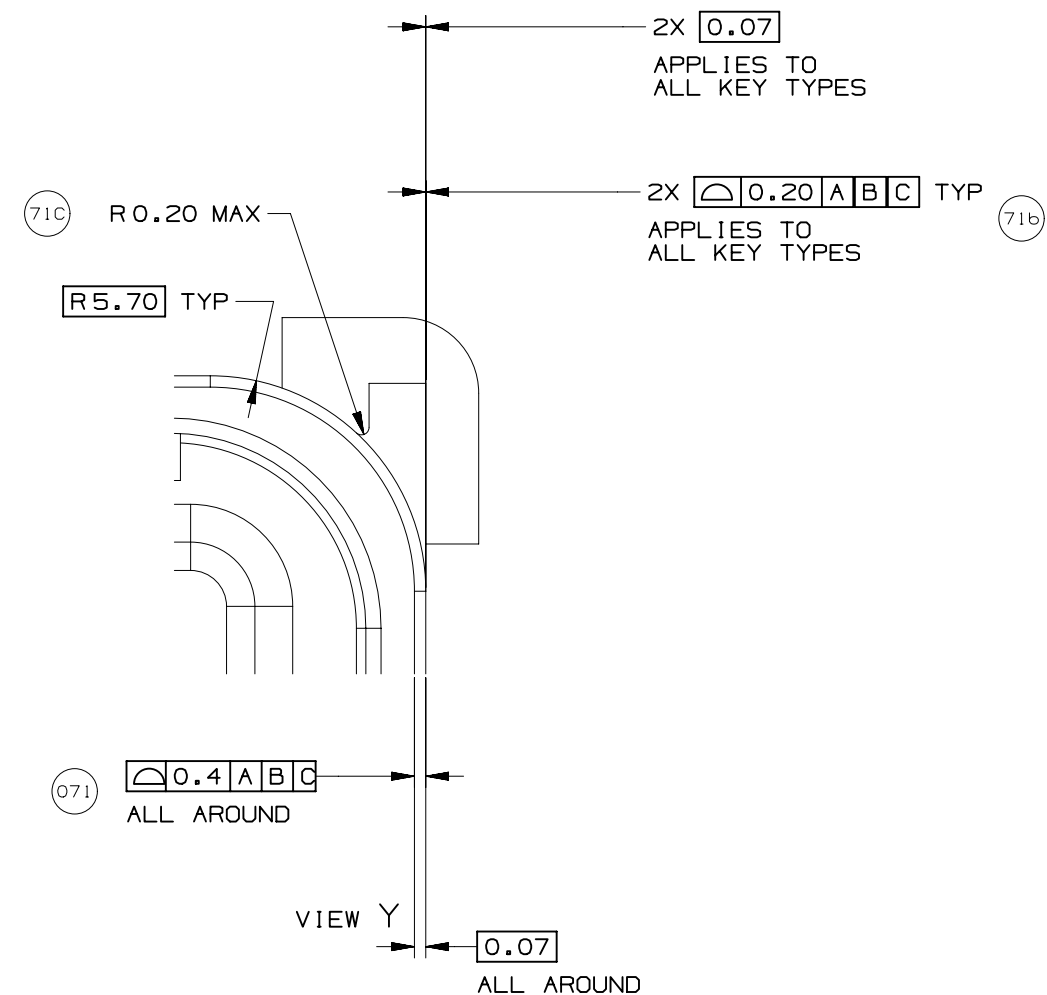
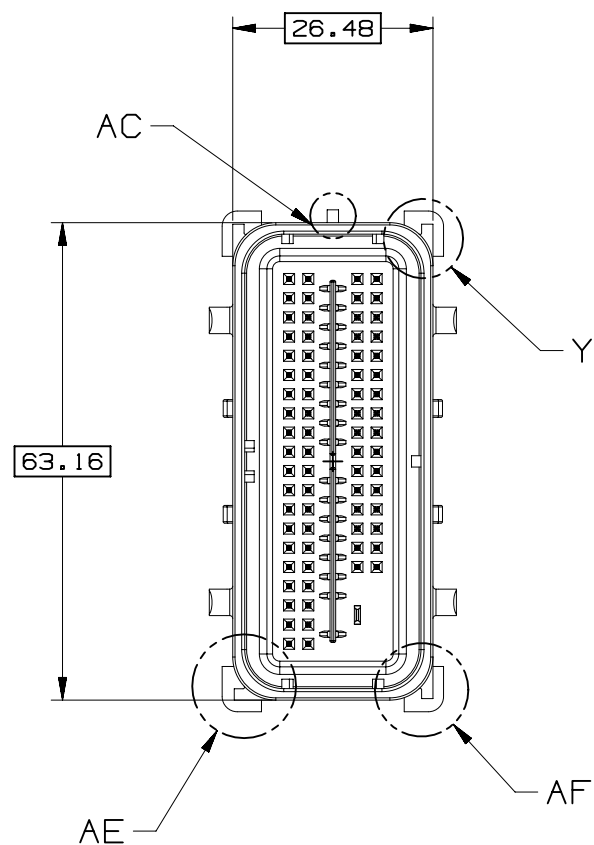
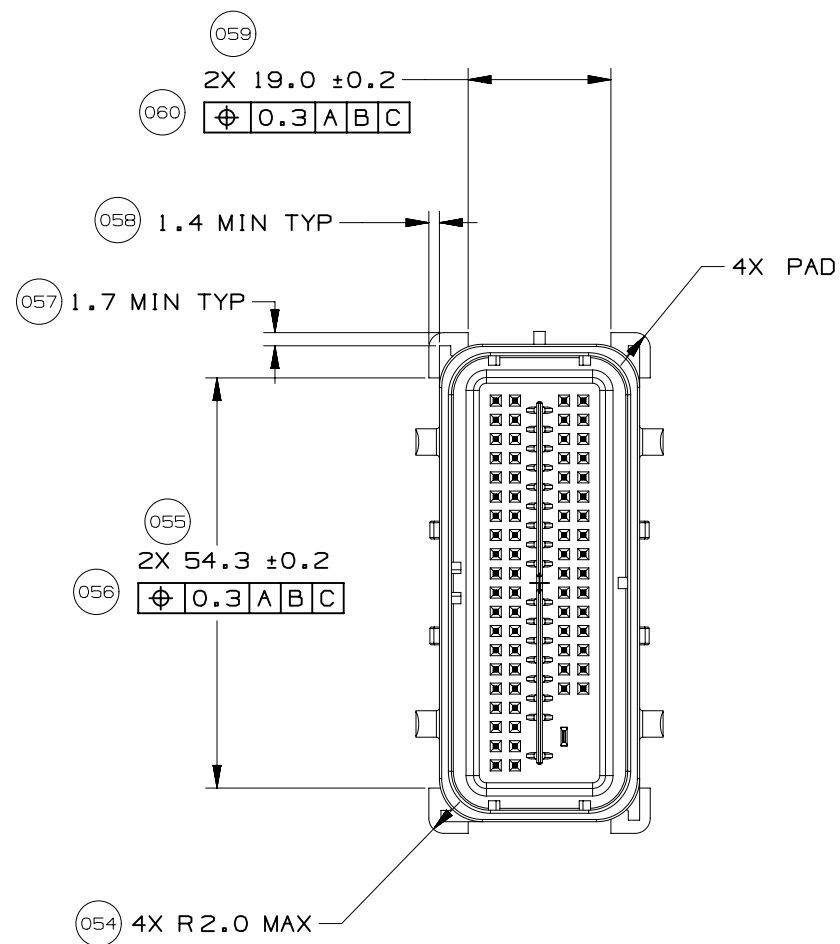
DWG STATUS			PAGE NUMBER
ST	REV	PD1	
R	001		15 OF 22



PAGE TITLE  
COMPONENT CONNECTOR INTERFACE

DRAWING NUMBER  
12672833

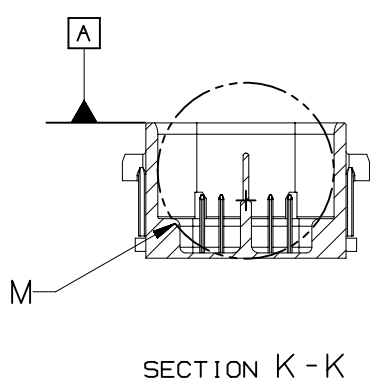
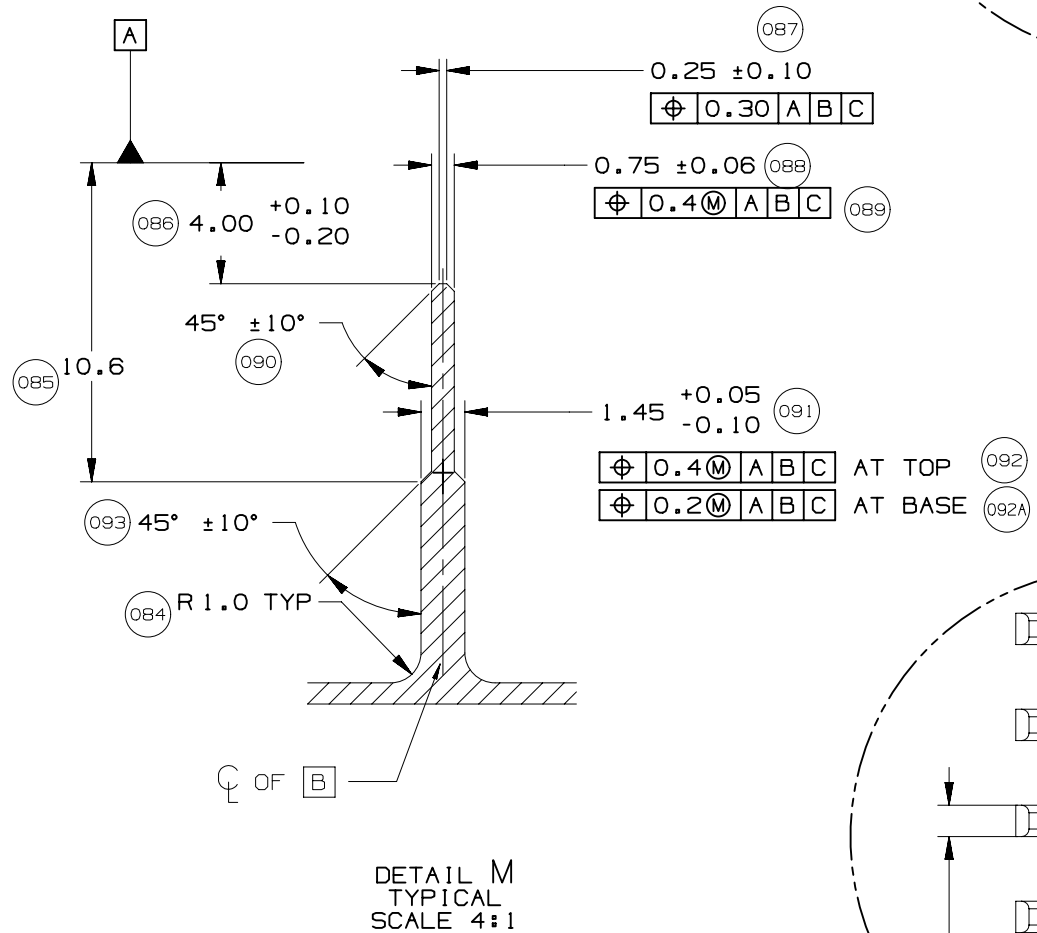
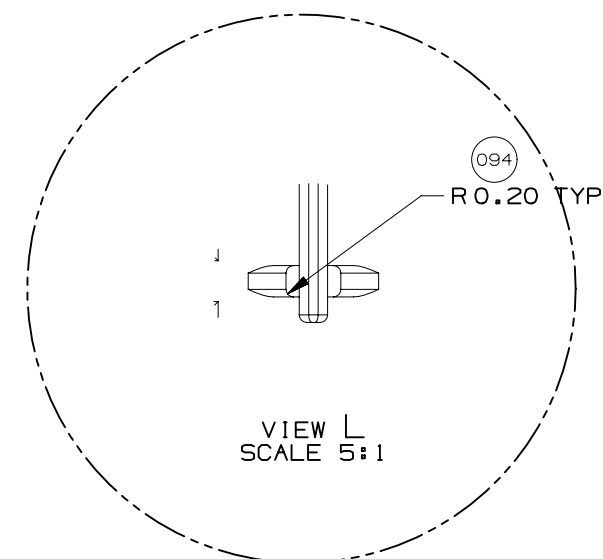
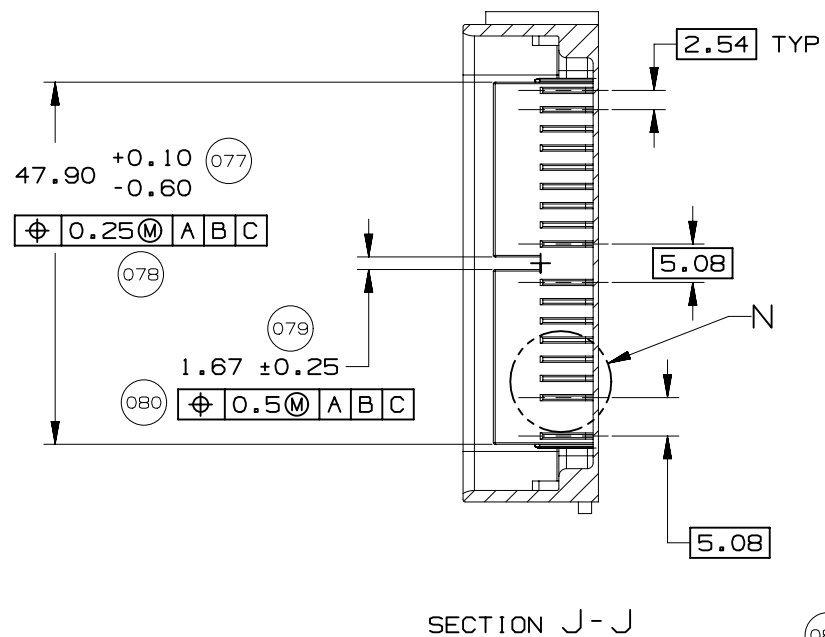
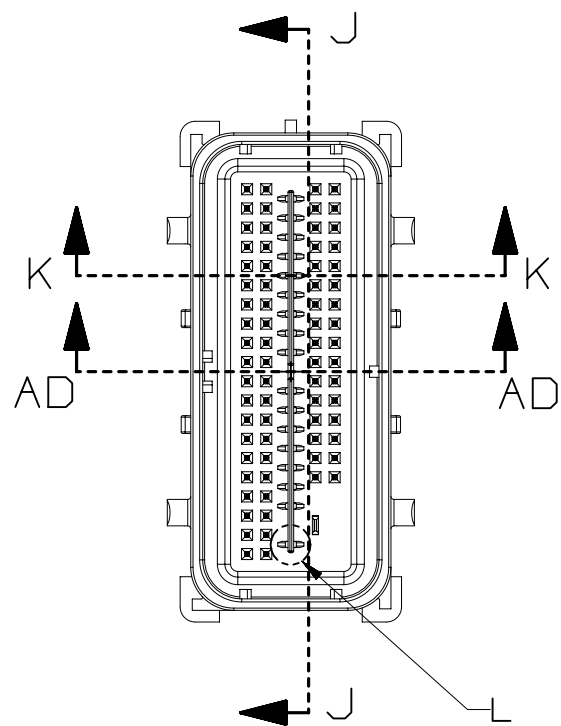
DWG STATUS			PAGE NUMBER
ST	REV	PDI	
R	001		16 OF 22



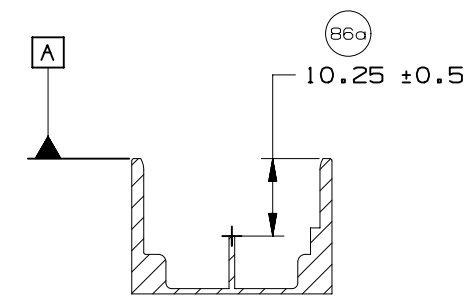
PAGE TITLE  
 COMPONENT CONNECTOR INTERFACE

DRAWING NUMBER  
 12672833

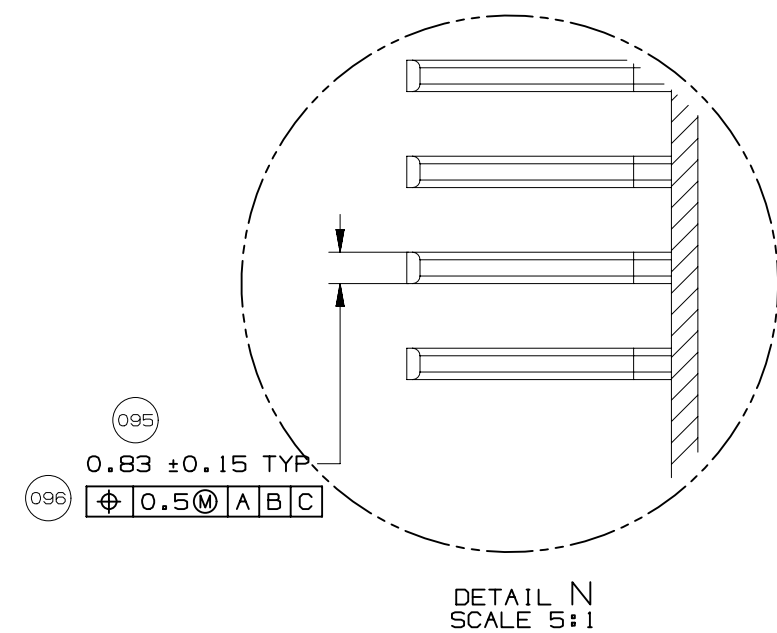
DWG STATUS			PAGE NUMBER	
ST	REV	PD1		
R	001		17	OF 22



SECTION K-K



SECTION AD-AD



DETAIL N  
SCALE 5:1



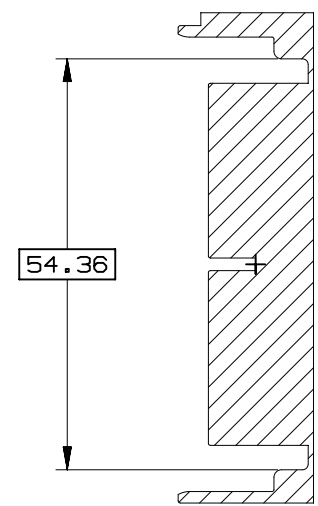
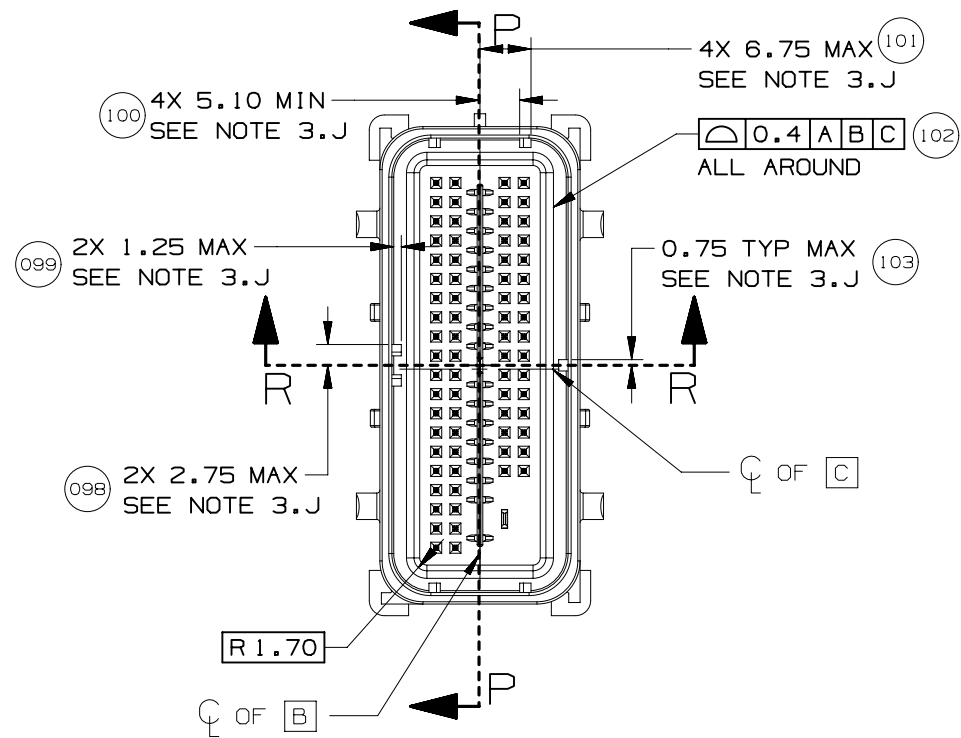
PAGE TITLE  
COMPONENT CONNECTOR INTERFACE

DRAWING NUMBER  
12672833

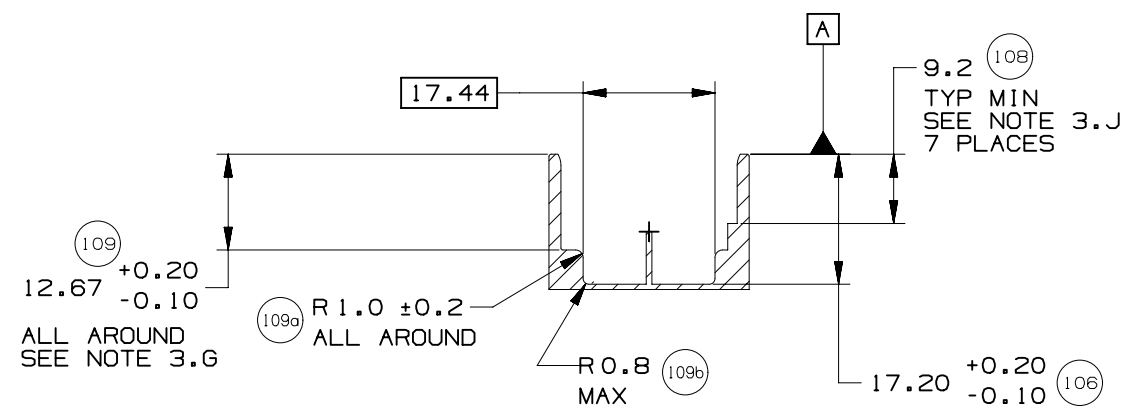
DWG STATUS		
ST	REV	PD1
R	001	

PAGE NUMBER  
18 OF 22





SECTION P-P



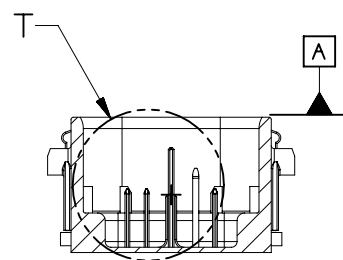
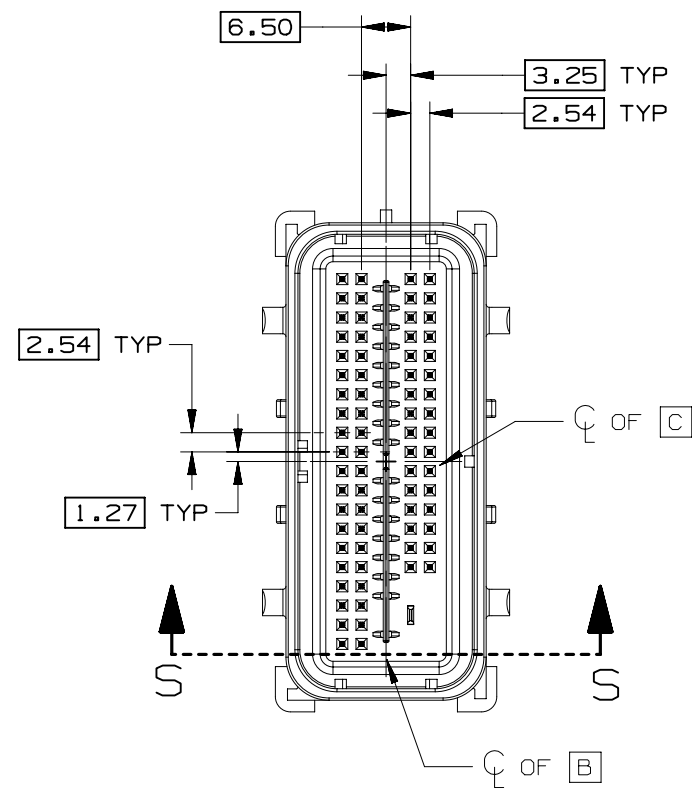
SECTION R-R



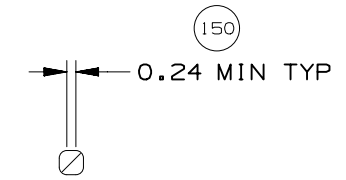
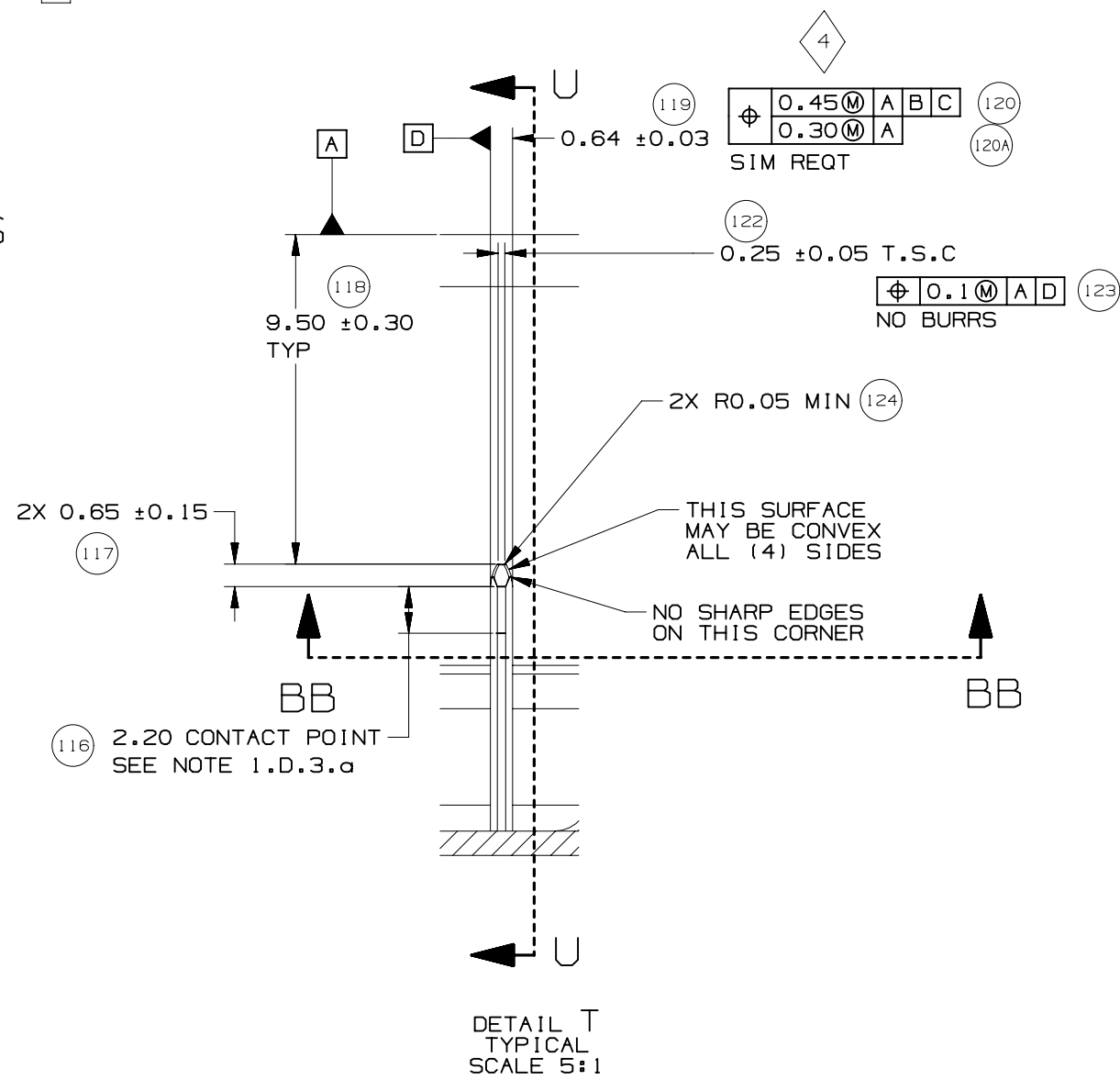
PAGE TITLE  
COMPONENT CONNECTOR INTERFACE

DRAWING NUMBER  
12672833

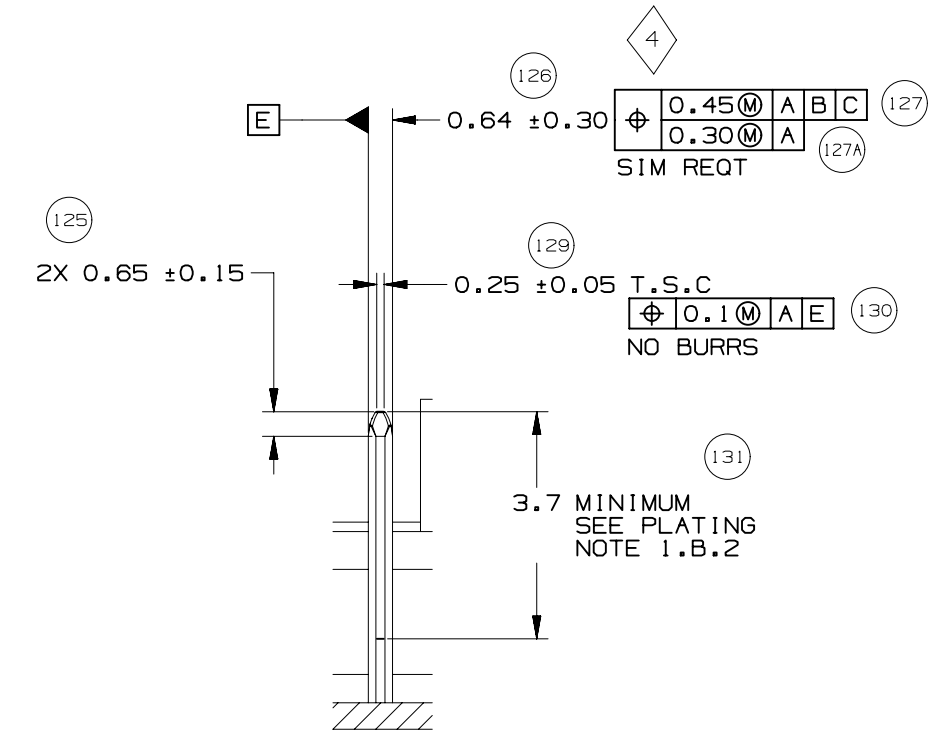
DWG STATUS			PAGE NUMBER	
ST	REV	PD1	19	OF 22
R	001			



SECTION S-S

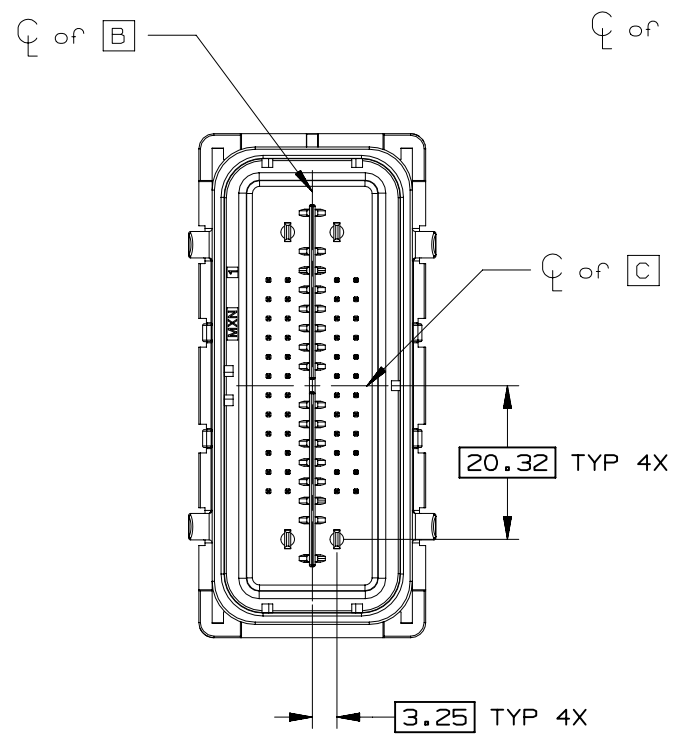


SECTION BB-BB

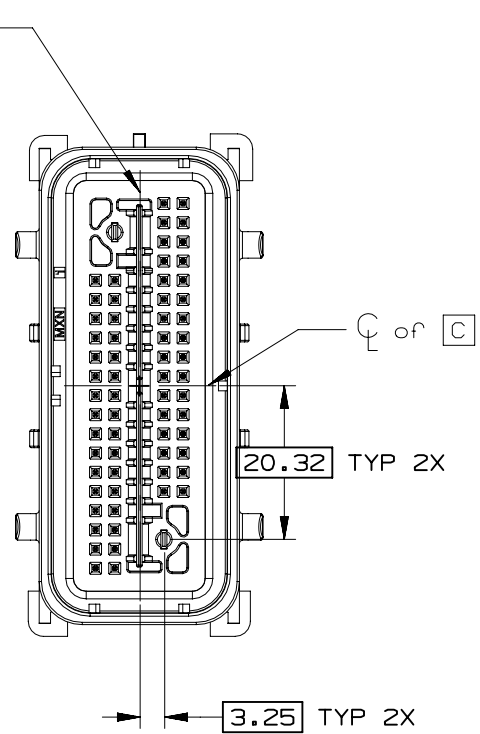


SECTION U-U TYPICAL

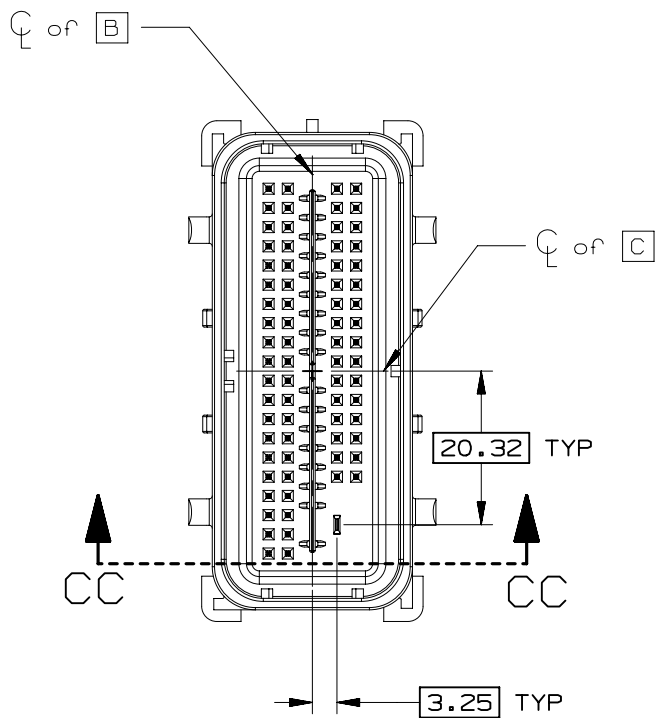




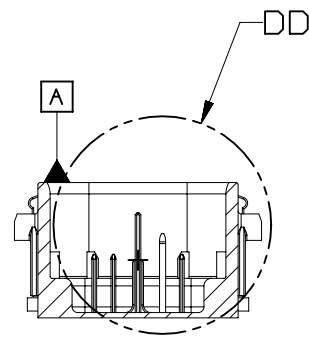
52 CKT COMPONENT  
CONNECTOR INTERFACE



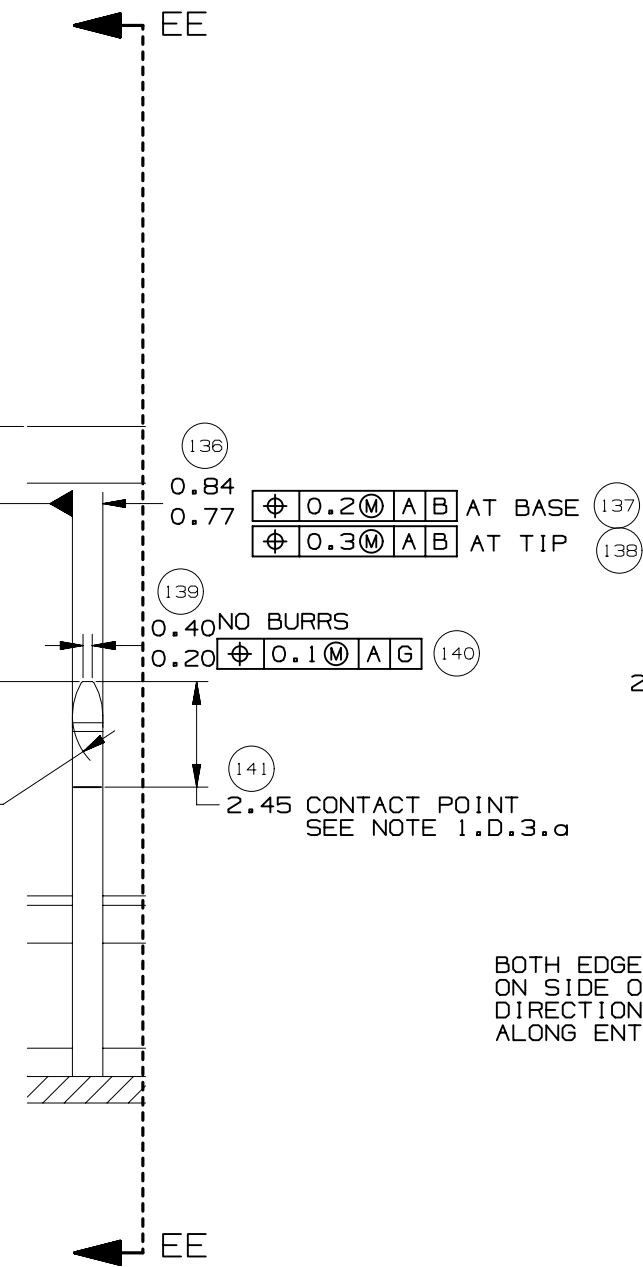
66 CKT COMPONENT  
CONNECTOR INTERFACE



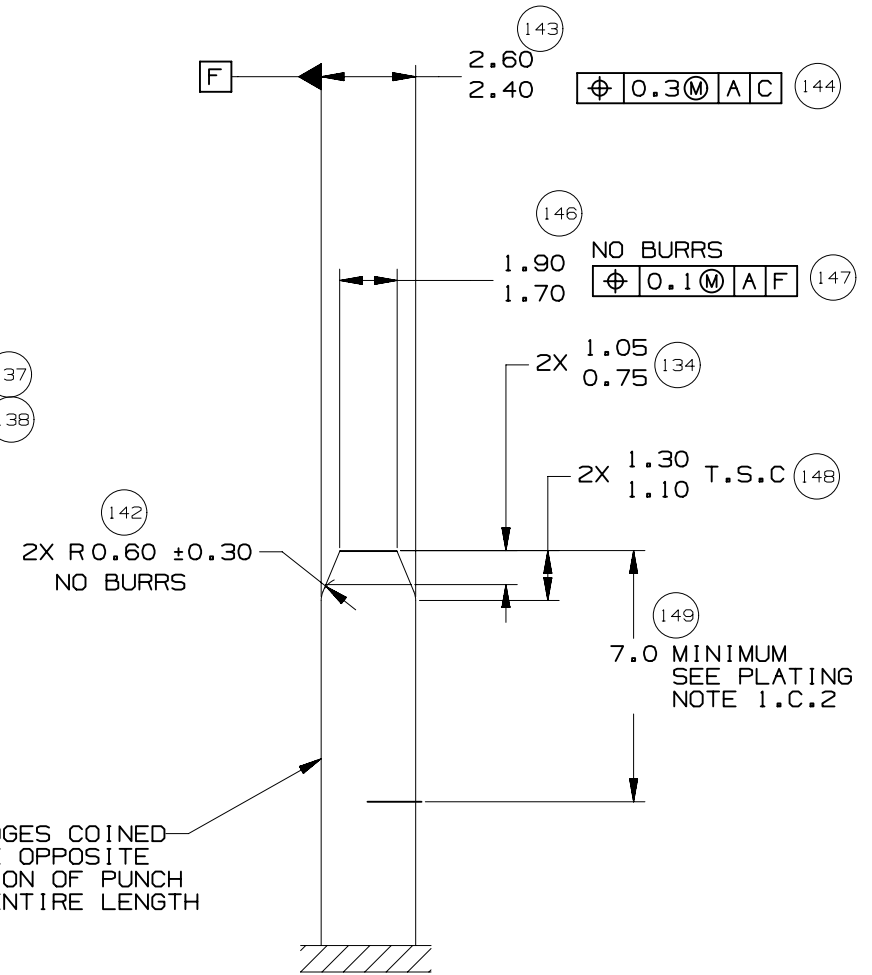
73 CKT COMPONENT  
CONNECTOR INTERFACE



SECTION CC-CC



DETAIL DD  
TYPICAL  
SCALE 5:1



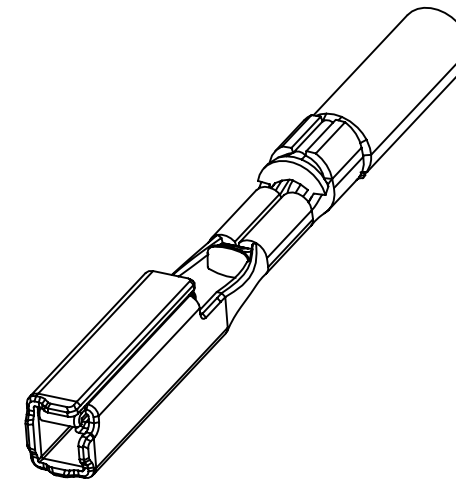
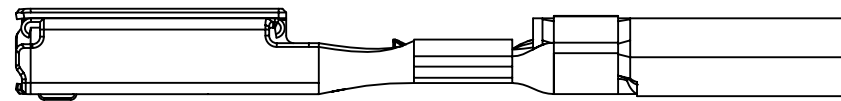
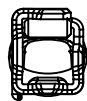
SECTION EE-EE  
TYPICAL

BOTH EDGES COINED  
ON SIDE OPPOSITE  
DIRECTION OF PUNCH  
ALONG ENTIRE LENGTH



MOLEX MX64 RECEPTACLE TERMINAL INFORMATION

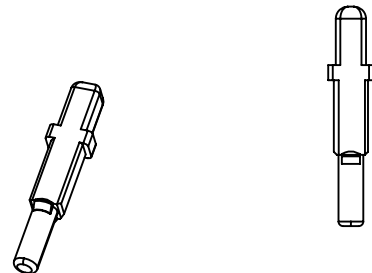
ITEM	MOLEX P/N	GM P/N	WIRE SIZE MM2	TYPE	PLATING	REEL WIND DIRECTION	COMMENTS
1	34736-0025		0.35	ISO	SILVER	LEFT	
2	34736-0026	12672850	0.35	ISO	SILVER	RIGHT	
3	34736-0027		0.5 / 0.75	ISO	SILVER	LEFT	
4	34736-0028	12672851	0.5 / 0.75	ISO	SILVER	RIGHT	



CAVITY PLUGS

ITEM	MFG	MFG P/N	GM P/N RD	SIZE	COLOR	MFG DRAWING	PROD SPEC	APP SPEC	COMMENTS
1	MOLEX	34586-0001	12674820	0.64	NATURAL	SD-34586-001	PS-34566-0000	AS-34566-001	
2	YAZAKI	7158-3114-90	12674821	2.8	BLUE	7158-3114-90	YPES-11-04-062	YPES-15-299	

ITEM 1



ITEM 2



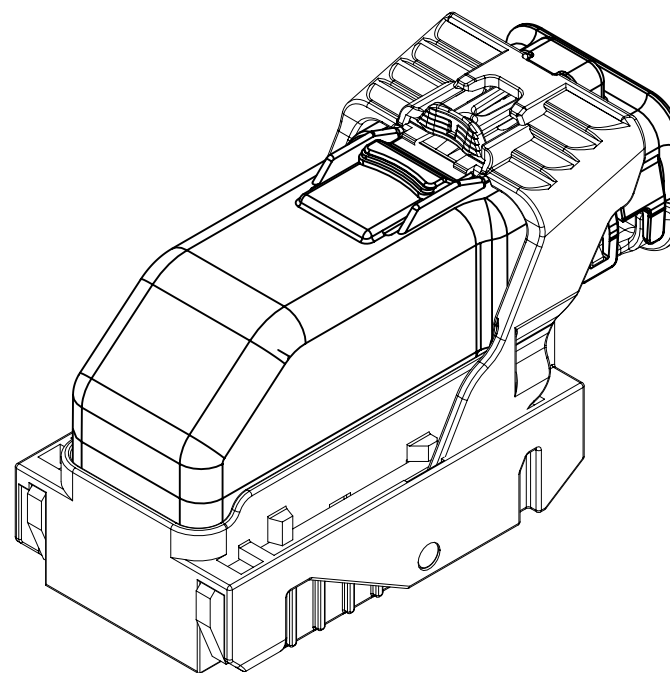
PAGE TITLE  
ADDITIONAL COMPONENTS REQUIRED

DRAWING NUMBER  
12672833


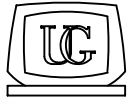
DWG STATUS		
ST	REV	PD1
R	001	

PAGE NUMBER  
22 OF 22

INDEX	
PAGE TITLE	PAGE
TITLE BLOCK	1
REVISION BLOCK	2
PART BLOCK	3
KPC BLOCK	4
COMPONENT TABLE	5
NOTES	6
NOTES	7
WIRE DRESS PACKAGING DIMENSIONS	8
LOCATION AND PACKAGING DIMENSIONS REFERENCING INTERFACE DATUMS B & C	9
LOCATION AND PACKAGING DIMENSIONS REFERENCING INTERFACE DATUM A	10
KEY ID REF - WIRE DRESS OPTION 0	11
KEY ID REF - WIRE DRESS OPTION 9	12
CIRCUIT CONFIGURATIONS	13
CIRCUIT CONFIGURATIONS	14
COMPONENT CONNECTOR INTERFACE	15
COMPONENT CONNECTOR INTERFACE	16
COMPONENT CONNECTOR INTERFACE	17
COMPONENT CONNECTOR INTERFACE	18
COMPONENT CONNECTOR INTERFACE	19
COMPONENT CONNECTOR INTERFACE	20
COMPONENT CONNECTOR INTERFACE	21
ADDITIONAL COMPONENTS REQUIRED	22




ISO VIEW

	<p><b>UNLESS OTHERWISE SPECIFIED:</b> THIS DOCUMENT IS IN ACCORDANCE WITH ASME Y14.5M-1994 AS AMMENDED BY THE GM GLOBAL DIMENSIONING AND TOLERANCING ADDENDUM-1997. ALL GEOMETRIC TOLERANCES AND RELATED DATUMS APPLY RFS. RULE #1 (PERFECT FORM AT MMC) DOES NOT APPLY WHEN A RELATIONSHIP BETWEEN FEATURES IS ESTABLISHED BY ORIENTATION OR LOCATION TOLERANCES. SEPARATE POSITION CALLOUTS MAY BE GAGED SEPARATELY REGARDLESS OF DATUM REFERENCES.</p>			DATE
	 CHANGE RESTRICTED NO MANUAL CHANGES	REFERENCE 12H (MOLEX AUTOMOTIVE)	DRAFTER APVD1 APVD2 APVD3 APVD4 APVD5	05JN15
DO NOT SCALE		DRAWING NAME		
METRIC DIMENSIONS SHOWN IN MILLIMETERS UNLESS OTHERWISE SPECIFIED		HARNESS CONN ASM-SEALED 52/66/73/80 CKTS, MX123		
DRAWING NUMBER		DWG STATUS		PAGE NUMBER
12672833		ST	REV	PD1
		R	001	
				1 OF 22

PAGE	DWG STATUS					REVISION HISTORY	AUTH	DR	CK	ENG
	DATE	ST	REV	CHG	PDI					
	05JN15	R	001			RELEASED TO PRODUCTION AT DLS A	CRMRJE	DFK		

PAGE	DWG STATUS					REVISION HISTORY	AUTH	DR	CK	ENG
	DATE	ST	REV	CHG	PDI					

	PAGE TITLE	DRAWING NUMBER	DWG STATUS			PAGE NUMBER	
	REVISION BLOCK		12672833	ST	REV		PDI
			R	001			2 OF 22



KEY PRODUCT CHARACTERISTICS  
(IN ACCORDANCE WITH QN 1805 OR ON 1050)



SAFETY/COMPLIANCE

TOTAL ON  
DRAWING

4



FIT/FUNCTION

LAST NO.  
USED

4

NO	TYPE	DESCRIPTION	RATIONALE	PAGE/ZONE
1	F/F	32.68	IMPROVE CONNECTOR SYSTEM MATING	16
2	F/F	29.00	INSURE PROPER RELEASE OF LEVER	16
3	F/F	15.25	INSURE FINAL MATE POSITION	17
4	F/F	POSITIONAL TOLERANCE (2 PLACES)	INSURE CONNECTOR SYSTEM MATEABILITY	20



PAGE TITLE  
KPC BLOCK

DRAWING NUMBER

12672833

DWG STATUS

ST	REV	PDI
----	-----	-----

R	001	
---	-----	--

PAGE NUMBER

4 OF 22



LINE	MFG.	MFG. P/N	GM P/N	EFFECTIVE DATE	APPLICABLE COMPONENTS	KEY OPTION	WIRE DRESS OPTION	KEY CONFIG.	COLOR	STATUS
					DESCRIPTION					
-										
1	MOLEX	34565-0003	12582676	02JN03	MX123 DRESS COVER 52/66/73/80 CKT	N/A	N/A	N/A	BLACK	AVAILABLE
2	MOLEX	160094-0001	12672852	01SP13	MX123 HRNS CONN ASSY 52 CKT	A	0	1458	BLACK	AVAILABLE
3	MOLEX	160094-0003	12672854	01SP13	MX123 HRNS CONN ASSY 52 CKT	C	0	2467	BLUE	AVAILABLE
4	MOLEX	160094-0013	12672853	01SP13	MX123 HRNS CONN ASSY 52 CKT	A	9	1458	BLACK	AVAILABLE
5	MOLEX	160094-0015	12672855	01SP13	MX123 HRNS CONN ASSY 52 CKT	C	9	2467	BLUE	AVAILABLE
6	MOLEX	34822-0013	12672856	01SP13	MX123 HRNS CONN ASSY 66 CKT	A	0	1458	BLACK	AVAILABLE
7	MOLEX	34822-0033	12672858	01SP13	MX123 HRNS CONN ASSY 66 CKT	C	0	2467	BLUE	AVAILABLE
8	MOLEX	34822-0023	12672857	01SP13	MX123 HRNS CONN ASSY 66 CKT	A	9	1458	BLACK	AVAILABLE
9	MOLEX	34822-0043	12672859	01SP13	MX123 HRNS CONN ASSY 66 CKT	C	9	2467	BLUE	AVAILABLE
10	MOLEX	34566-0103	12672860	11JN04	MX123 HRNS CONN ASSY 73 CKT	A	0	1458	BLACK	AVAILABLE
11	MOLEX	34566-0203	12672862	11JN04	MX123 HRNS CONN ASSY 73 CKT	B	0	1468	ST GRAY	AVAILABLE
12	MOLEX	34566-0303	12672864	09AP08	MX123 HRNS CONN ASSY 73 CKT	C	0	2467	BLUE	AVAILABLE
13	MOLEX	34566-0603	12672866	05DC14	MX123 HRNS CONN ASSY 73 CKT	F	0	1357	NATURAL	AVAILABLE
14	MOLEX	34566-1303	12672861	11JN04	MX123 HRNS CONN ASSY 73 CKT	A	9	1458	BLACK	AVAILABLE
15	MOLEX	34566-1403	12672863	11JN04	MX123 HRNS CONN ASSY 73 CKT	B	9	1468	ST GRAY	AVAILABLE
16	MOLEX	34566-1503	12672865	09AP08	MX123 HRNS CONN ASSY 73 CKT	C	9	2467	BLUE	AVAILABLE
17	MOLEX	34566-1803	12672867	05DC14	MX123 HRNS CONN ASSY 73 CKT	F	9	1357	NATURAL	AVAILABLE
18	MOLEX	34566-0703	12672872	09AP08	MX123 HRNS CONN ASSY 80 CKT	G	0	1358	BLUE	AVAILABLE
19	MOLEX	34566-0803	12672870	11JN04	MX123 HRNS CONN ASSY 80 CKT	H	0	2458	ST GRAY	AVAILABLE
20	MOLEX	34566-0903	12672868	T.B.D	MX123 HRNS CONN ASSY 80 CKT	J	0	2457	BLACK	NOT ACTIVE
21	MOLEX	34566-1903	12672873	09AP08	MX123 HRNS CONN ASSY 80 CKT	G	9	1358	BLUE	AVAILABLE
22	MOLEX	34566-2003	12672871	11JN04	MX123 HRNS CONN ASSY 80 CKT	H	9	2458	ST GRAY	AVAILABLE
23	MOLEX	34566-2103	12672869	T.B.D	MX123 HRNS CONN ASSY 80 CKT	J	9	2457	BLACK	NOT ACTIVE
24	MOLEX	34736-0028	12672851	01AU10	MX64 RCPT TERM Ag 0.5mm/0.75mm ISO GAGE B (RIGHT PAYOFF)	N/A	N/A	N/A	N/A	AVAILABLE
25	MOLEX	34736-0026	12672850	01AU10	MX64 RCPT TERM Ag 0.35mm ISO GAGE B (RIGHT PAYOFF)	N/A	N/A	N/A	N/A	AVAILABLE
26	MOLEX	34586-0001	12674820	11JN04	MX123 0.64mm GROMMET PLUG	N/A	N/A	N/A	NATURAL	AVAILABLE
27	YAZAKI	7116-4150-02	12588066	02JN03	2.8mm YESC SEALED FEMALE TERMINAL TIN 0.35mm2-0.50mm2	N/A	N/A	N/A	N/A	NOT ACTIVE
28	YAZAKI	7116-4151-02	12588067	02JN03	2.8mm YESC SEALED FEMALE TERMINAL TIN 0.75mm2-1.0mm2	N/A	N/A	N/A	N/A	NOT ACTIVE
29	YAZAKI	7116-4152-02	12582685	02JN03	2.8mm YESC SEALED FEMALE TERMINAL TIN 1.5mm2-2.5mm2	N/A	N/A	N/A	N/A	AVAILABLE
30	YAZAKI	7158-3111-60	12588068	02JN03	2.8mm CABLE SEAL (wire O.D. range 1.2mm-1.9mm)	N/A	N/A	N/A	GREEN	NOT ACTIVE
31	YAZAKI	7158-3112-70	12588069	02JN03	2.8mm CABLE SEAL (wire O.D. range 1.8mm-2.3mm)	N/A	N/A	N/A	YELLOW	NOT ACTIVE
32	YAZAKI	7158-3113-40	12582686	02JN03	2.8mm CABLE SEAL (wire O.D. range 2.1mm-3.0mm)	N/A	N/A	N/A	WHITE	AVAILABLE
33	YAZAKI	7158-3114-90	12674821	02JN03	2.8mm YESC CAVITY PLUG	N/A	N/A	N/A	BLUE	AVAILABLE
34	MOLEX	63825-8400	N/A	02JN03	MX64 TERM HAND CRIMP TOOL	N/A	N/A	N/A	N/A	AVAILABLE
35	MOLEX	63813-1400	XX019826	02JN03	MX64 TERM SERVICE TOOL	N/A	N/A	N/A	N/A	AVAILABLE
36	MOLEX	63902-5300	N/A	02JN03	MX64 CRIMP APPLICATOR with TOOL KIT 0.5/0.75mm2 PAYOFF DIRECTION D (left payoff) (contact Molex for payoff detail)	N/A	N/A	N/A	N/A	AVAILABLE
37	MOLEX	63902-5370	N/A	02JN03	MX64 APPLICATOR TOOL KIT 0.5/0.75mm2	N/A	N/A	N/A	N/A	AVAILABLE
38	MOLEX	63902-5100	N/A	02JN03	MX64 CRIMP APPLICATOR with TOOL KIT 0.35mm2 PAYOFF DIRECTION D (left payoff) (contact Molex for payoff detail)	N/A	N/A	N/A	N/A	AVAILABLE
39	MOLEX	63902-5170	N/A	02JN03	MX64 APPLICATOR TOOL KIT 0.35mm2	N/A	N/A	N/A	N/A	AVAILABLE
40	SPX	J35616-64	T.B.D.	02JN03	0.64mm PROBE TOOL (for rcpt)	N/A	N/A	N/A	N/A	AVAILABLE
41	SPX	J35616-64A	T.B.D.	02JN03	0.64mm PROBE TOOL WITH EXT (for rcpt)	N/A	N/A	N/A	N/A	AVAILABLE
42	SPX	J35616-65	T.B.D.	02JN03	0.64mm PROBE TOOL WITH EXT (for pin)	N/A	N/A	N/A	N/A	AVAILABLE
43	SPX	J35616-4A	T.B.D.	02JN03	2.8mm PROBE TOOL (for rcpt)	N/A	N/A	N/A	N/A	AVAILABLE
44	YAZAKI	X39899-J374	12094430	02JN03	2.8mm TERM SERVICE TOOL	N/A	N/A	N/A	N/A	AVAILABLE
45	TQI	7000-1006	N/A	15JN15	52 CKT PASS THROUGH ADAPTERS	N/A	N/A	N/A	BLACK	AVAILABLE
46	TQI	7000-1002	N/A	15JN15	66 CKT PASS THROUGH ADAPTERS	N/A	N/A	N/A	BLACK	AVAILABLE
47	TQI	79917-0061	N/A	15JN15	73 CKT PASS THROUGH ADAPTERS	N/A	N/A	N/A	BLACK	AVAILABLE
48	TQI	79917-0066	N/A	15JN15	80 CKT PASS THROUGH ADAPTERS	N/A	N/A	N/A	BLACK	AVAILABLE

\* - MX123 DRESS COVER 52/66/73/80 CKT MATES TO ANY MX123 HARN CONN ASSY SHOWN ON TABLE ABOVE



PAGE TITLE  
COMPONENT TABLE

DRAWING NUMBER

12672833

DWG STATUS

ST	REV	PD1
R	001	

PAGE NUMBER

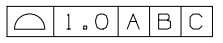
5 OF 22

NOTES: UNLESS OTHERWISE SPECIFIED

1. MATERIAL FOR INTERFACE:


- A. RESIN:
  - 1. 30% G.F. PBT; 20% MAX. (BY WEIGHT) REGRIND.
  - 2. MATING CONNECTOR INTERFACE PART COLOR MUST BE SAME AS MATCHING KEYED HARNESS CONNECTOR ASSEMBLY.
  - 3. MUST BE VALIDATED FOR INDIVIDUAL DEVICE APPLICATION REQUIREMENTS.
- B. 0.64MM PINS:
  - 1. BASE MATERIAL: COPPER ALLOY; CONDUCTIVITY >= 28% IACS AT 20°C; TENSILE STRENGTH >= 635 N/mm<sup>2</sup>; SURFACE ROUGHNESS R<sub>a</sub> 6 MAX.
  - 2. PLATING FINISH: SILVER (Ag). PLATING TO BE 1.9-3.3 μm ELECTRODEPOSITED SEMI-BRIGHT SILVER OVER 1.25-2.25 μm DUCTILE SULPHAMATE NICKEL PER NOTE 1(D).
  - 3. ANTI-TARNISH: SYNTHETIC HYDROCARBON CONTACT SURFACE FINISH OR EQUIVALENT APPLIED WITHOUT VOID TO CONTACT AREA (MIN 3.7mm FROM PIN TIP).
- C. 2.8MM BLADE:
  - 1. BASE MATERIAL: COPPER ALLOY; CONDUCTIVITY >= 28% IACS AT 20°C; TENSILE STRENGTH >= 350 N/mm<sup>2</sup>; SURFACE ROUGHNESS R<sub>a</sub> 6 MAX.
  - 2. PLATING FINISH: TIN. PLATING TO BE 2.5-5.0 μm ELECTRODEPOSITED TIN, MATTE FINISH OVER 1.25-2.5 μm DUCTILE SULPHAMATE NICKEL PER NOTE 1(D).
- D. PLATING REQUIREMENTS:
  - 1. SILVER PLATING
    - a. 99.5% PURE SEMI-BRIGHT WITH NO ORGANIC BRIGHTNERS OR CHROMATES.
  - 2. NICKEL PLATING
    - a. ELECTRODEPOSITED DUCTILE SULFAMATE NICKEL WITH A NON-BRIGHTENED FINISH. NO ORGANIC OR BRIGHTENING AGENTS SHALL BE ALLOWED.
    - b. SHALL ONLY BE USED AS AN UNDERLYING PLATING AND MAY NOT BE USED AS AN ELECTRICAL CONTACT SURFACE PLATING.
    - c. SHALL BE NODULE FREE WHEN VIEWED AT 10X MAGNIFICATION IN MEASURED IN CONTACT SURFACE AREA PLUS 0.5MM PERIMETER AROUND THE CONTACT SURFACE AREA.
    - d. ALL PLATINGS SHALL HAVE A 1.0% MAXIMUM BY WEIGHT IMPURITIES. IMPURITIES ARE DEFINED AS ALL ELEMENTS NOT THE PRIMARY PLATING OR HARDENING AGENT IF APPLICABLE, AS DETERMINED BY WET CHEMICAL ANALYSIS OR AUGER METHOD. NO SINGLE IMPURITY SHALL EXCEED 0.1% MAXIMUM BY WEIGHT.
  - 3. TESTING
    - a. THICKNESS TO BE MEASURED IN CONTACT SURFACE AREA PLUS 0.5MM PERIMETER AROUND THE CONTACT SURFACE AREA AS DESIGNATED IN THE DRAWING. THICKNESS SHALL BE DETERMINED BY METHOD OF X-RAY (XRF).
    - b. PLATING ADHESION SHALL BE TESTED BY A BEND TEST FOR ALL METALS. THE TEST SAMPLE SHALL BE BENT 90 DEGREES TO DETERMINE DEPOSIT ADHESION. TESTING SHALL BE COMPLETED IN ACCORDANCE WITH ASTM SPEC B571.

2. DESIGN - GENERAL:

- A. THIS IS A 100% CAD GENERATED PART. THE CAD MATHEMATICAL DATA IS THE MASTER FOR THIS PART. FOR DIMENSIONAL OR ANY INFORMATION NOT SHOWN ON THIS DRAWING, ANALYZE THE CAD MODEL.
- B. TOLERANCES:
  - 1. LINEAR
    - 0.X ± 0.30
    - 0.XX ± 0.10
    - 0.XXX ± 0.10
  - 2. ANGULAR X° ± 3°
  - 3. 
- C. MINIMUM WALL THICKNESS REQUIRED: 1.3mm.
- D. CORNERS SHOWN AS SHARP TO BE R 0.2 MAX.
- E. LETTERING SHALL BE 0.15 MAX RAISED IN 0.20 MAX RECESS PAD. THIS INCLUDES MATERIAL CODE, RECYCLING CODE, CAVITY ID AND DATE CODE.
- F-1. PARTS MUST BE FREE OF DISCOLORATION, SALT RESIDUE AND OTHER IMPERFECTIONS THAT AFFECT FIT OR FUNCTION.
- F-2. SCRATCHES OR DENTS NOT TO EXCEED 0.013mm IN DEPTH.
- G. FOLLOWING PRODUCTION CODES TO BE PERMANENTLY MARKED & HUMAN READABLE TO A LETTER HEIGHT OF 1.5 ± 0.5MM X 0.3 MAX DEEP
  - 1. MATERIAL #: XXXXX-XXXX
  - 2. DATE CODE: JJYY (JULIAN DAY, LAST DIGIT OF YEAR)
  - 3. INSPECTION MACHINE CODE + SERIAL #: X\_XXXXX

3. DESIGN - MANUFACTURING:

- A. DRAFT TO BE WITHIN TOLERANCE.
- B. ALLOWABLE FLASH MAX 0.2 HIGH X MAX 0.13 THICK.
- C. ALLOWABLE PARTING LINE MISMATCH 0.2 MAX.
- D. EJECTOR PINS MARK TO BE FLUSH TO 0.25 MAX DEPRESSED.
- E. ALLOWABLE GATE VESTIGE FLUSH TO 0.25 MAX PROTRUSION.
- F. NO EXTERNAL MOLD RELEASE AGENT ALLOWED DURING MANUFACTURING.
- G. STEEL THAT FORMS THE INDICATED SURFACE MUST BE POLISHED WITH A DIAMOND FINISH (SPI A-2) OVER THE FULL PERIPHERY OF THE TOOL. SURFACE MUST HAVE NO MISMATCH.
- H. ANY PROCESS LUBRICANT REMAINING ON THE TERMINAL MUST NOT VARNISH OR DEGRADE IT'S ELECTRICAL PERFORMANCE UP TO A MAXIMUM CLASS AMBIENT TEMPERATURE PER SAE USCAR-2 FOR 1008 HOURS. PROCESS LUBRICANTS SHOULD BE APPROVED BY THE RESPONSIBLE ENGINEER.
- J. OPTIONAL FEATURES PROVIDED FOR AUTOMATION.
- K. PART MUST BE FREE FROM BURRS AND SHARP EDGES, WHICH MIGHT BE DETRIMENTAL TO SATISFACTORY ASSEMBLY, SAFE HANDLING OR FUNCTION OF PART.
- L. PARTS AS DELIVERED TO ASSEMBLY SHALL BE CLEAN AND FREE OF DEBRIS, RESIDUAL ABRASIVE MATERIAL AND CORROSION PRODUCTS ADVERESLY AFFECTING FUNCTION OR APPEARANCE.
- M. RESTRICTED AND REPORTABLE SUBSTANCES FOR PARTS PER GMW3059.

	PAGE TITLE	DRAWING NUMBER	DWG STATUS			PAGE NUMBER	
	NOTES		12672833	ST	REV	PDI	6 OF 22
				R	001		

NOTES: UNLESS OTHERWISE SPECIFIED

4. SYSTEM REQUIREMENTS:

- A. HARNESS CONNECTOR IS COMPATIBLE WITH THE FOLLOWING ISO WIRE SIZE NO'S:  
 0.35mm<sup>2</sup>, MEETING GMW15626 - MIN OD OF 1.30MM  
 0.50mm<sup>2</sup>, MEETING GMW15626  
 0.75mm<sup>2</sup>, MEETING GMW15626 - MAX OD OF 2.06MM

B. CABLE TIE SPECIFICATIONS:

1. CABLE TIE:
  - TENSILE RATING: 220N / (50lbs) MIN
  - TIE LENGTH: 186mm MIN
  - TIE WIDTH: 4.75mm MAX
  - MATERIAL: NYLON
2. INSTALLATION:
  - CABLE TIE TENSION: 190N MIN
3. DRESSED WIRE BUNDLE PACKAGING: SEE FIG. 1

C. WHEN MATED WITH COMPONENT CONNECTOR INTERFACE AND/OR DRESS COVER, HARNESS CONNECTOR SYSTEM CONFORMS TO THE FOLLOWING:

1. SAE/USCAR-2, REV: 3 APRIL, 2001; CLASS 3
2. FIELD CORRELATED LIFE TEST, SAE/USCAR-20, NOV. 2001
3. GMW #3191 AUGUST 22, 2000 (DRAFT); TEMPERATURE CLASS 3, SEALING CLASS 1, VIBRATION CLASS 2
4. RESTRICTED AND REPORTABLE CHEMICALS PER GMW #3059, REV: D AUGUST 2002
5. TPA USER FORCES (FULLY POPULATED WITH TERMINALS)
  - a. REMOVAL FROM LOCK TO PRE-SET: <=120N

D. WIRE SPECIFICATIONS:

1. WIRE SURFACE MUST BE FREE OF SCRATCHES, GROOVES OR DENTS WHERE FUNCTIONAL

5. TERMINAL CURRENT RATINGS:

A. MX64 RCPT TERM

ALL TESTING DONE IN ACCORDANCE WITH USCAR-2 REV5 SECTION 5.3

1. MX64 RCPT TERM Ag 0.50/0.75mm<sup>2</sup> CRIMPED TO 0.75mm<sup>2</sup> ISO WIRE AND MATED TO MX123 0.64MM PIN: SEE TABLE BELOW
2. MX64 RCPT TERM Ag 0.35mm<sup>2</sup> CRIMPED TO 0.35mm<sup>2</sup> ISO WIRE AND MATED TO MX123 0.64MM PIN: SEE TABLE BELOW

WIRE	CURRENT RATING			
	23°C	85°C	105°C	125°C
0.75mm <sup>2</sup>	11.3A	11.3A	9.5A	6.6A
0.50mm <sup>2</sup>	10.0A	10.0A	8.3A	5.7A
0.35mm <sup>2</sup>	8.5A	8.5A	7.1A	5.0A

B. 2.8MM RCPT TERM

ALL TESTING DONE IN ACCORDANCE WITH MOLEX DVP&R 0279 (TR # 7125)

1. 2.8MM RCPT TERM TIN 2.0mm<sup>2</sup> CRIMPED TO 2.0mm<sup>2</sup> ISO WIRE AND MATED TO MX123 2.8MM BLADE: 25.6 AMPS AT 125°C

6. CONTACT MOLEX AUTOMOTIVE FOR AVAILABLE CUSTOM PATTERNS OF CAVITIES OPEN FOR CIRCUITS - SEE GM DRAWING 13507496



PAGE TITLE  
NOTES

DRAWING NUMBER

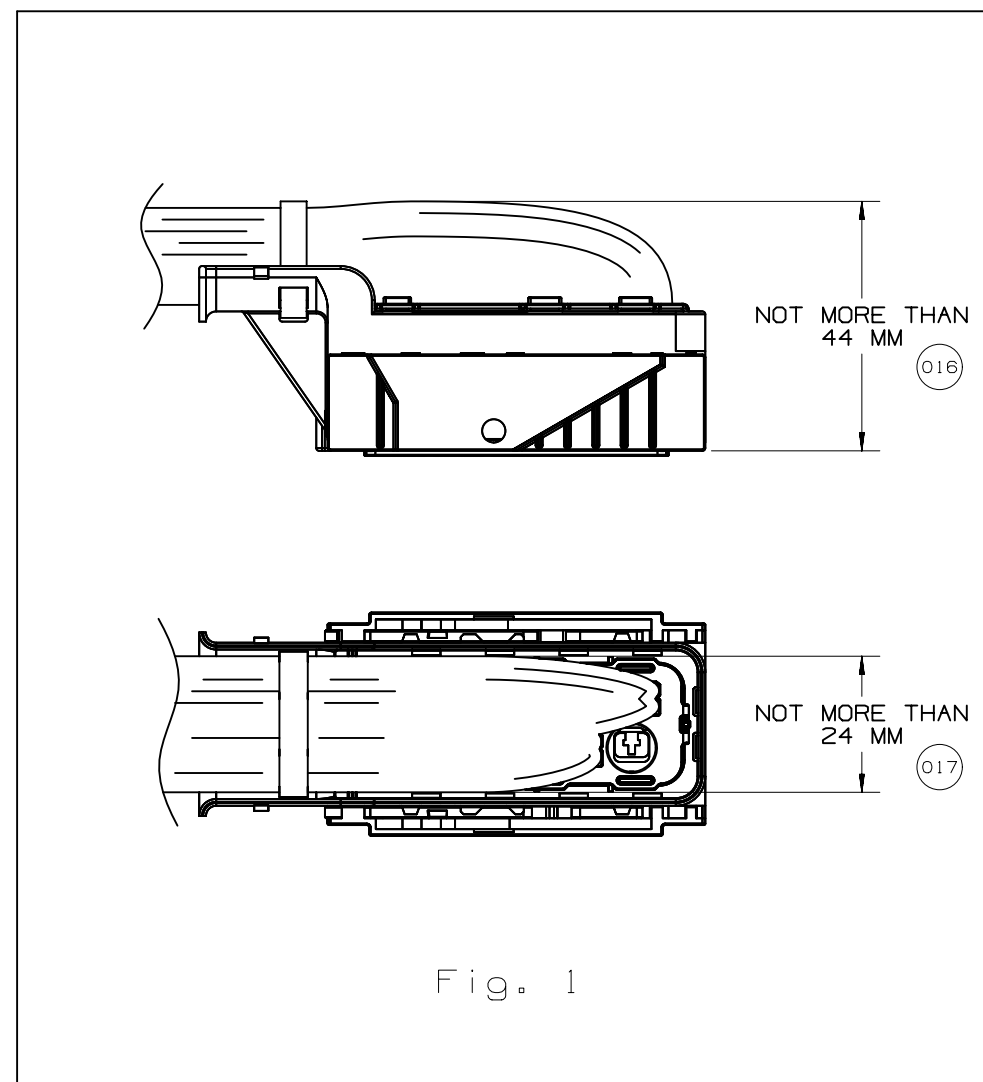
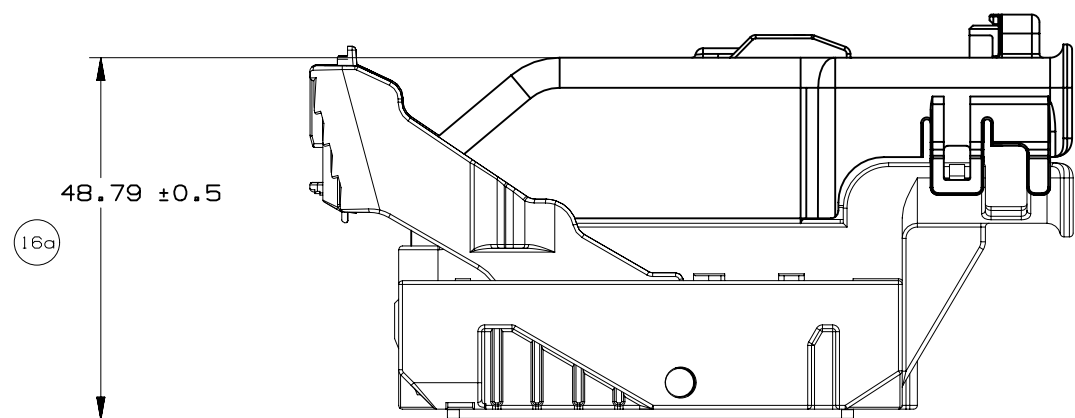
12672833

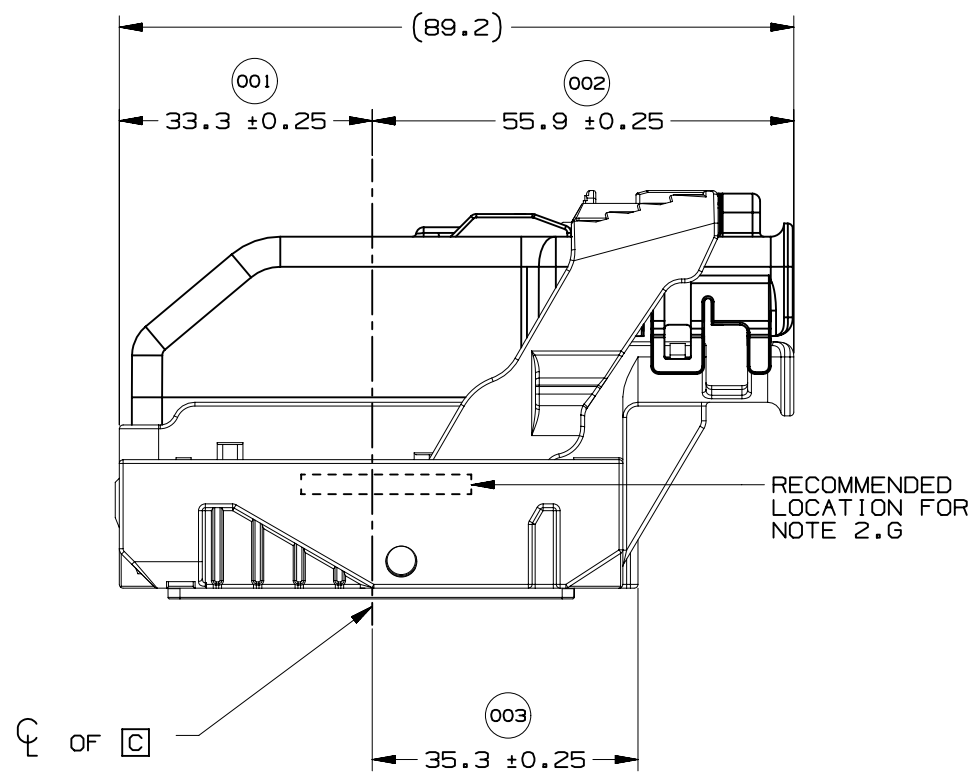
DWG STATUS

ST	REV	PDI
R	001	

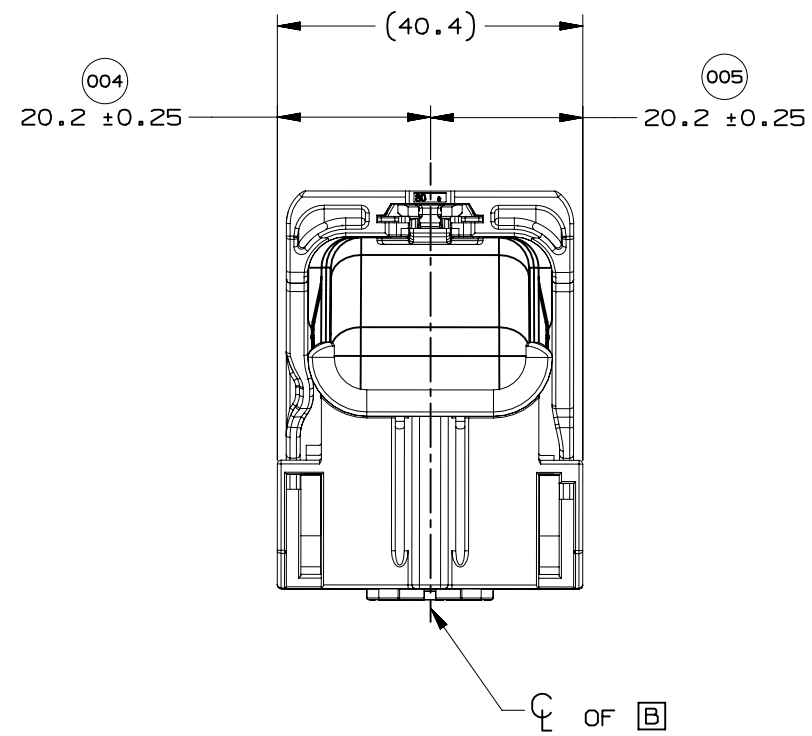
PAGE NUMBER

7 OF 22

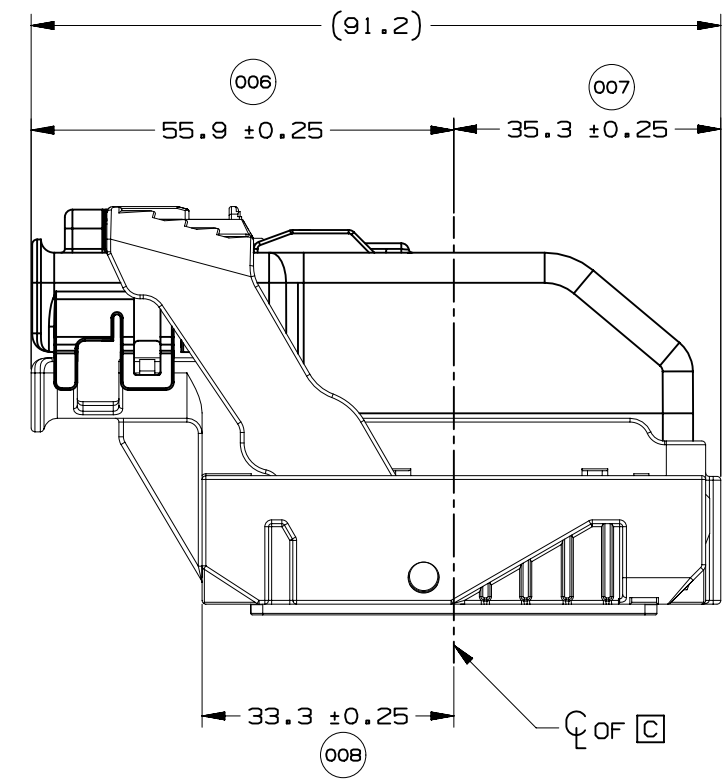




WIRE DRESS OPTION 0 SHOWN

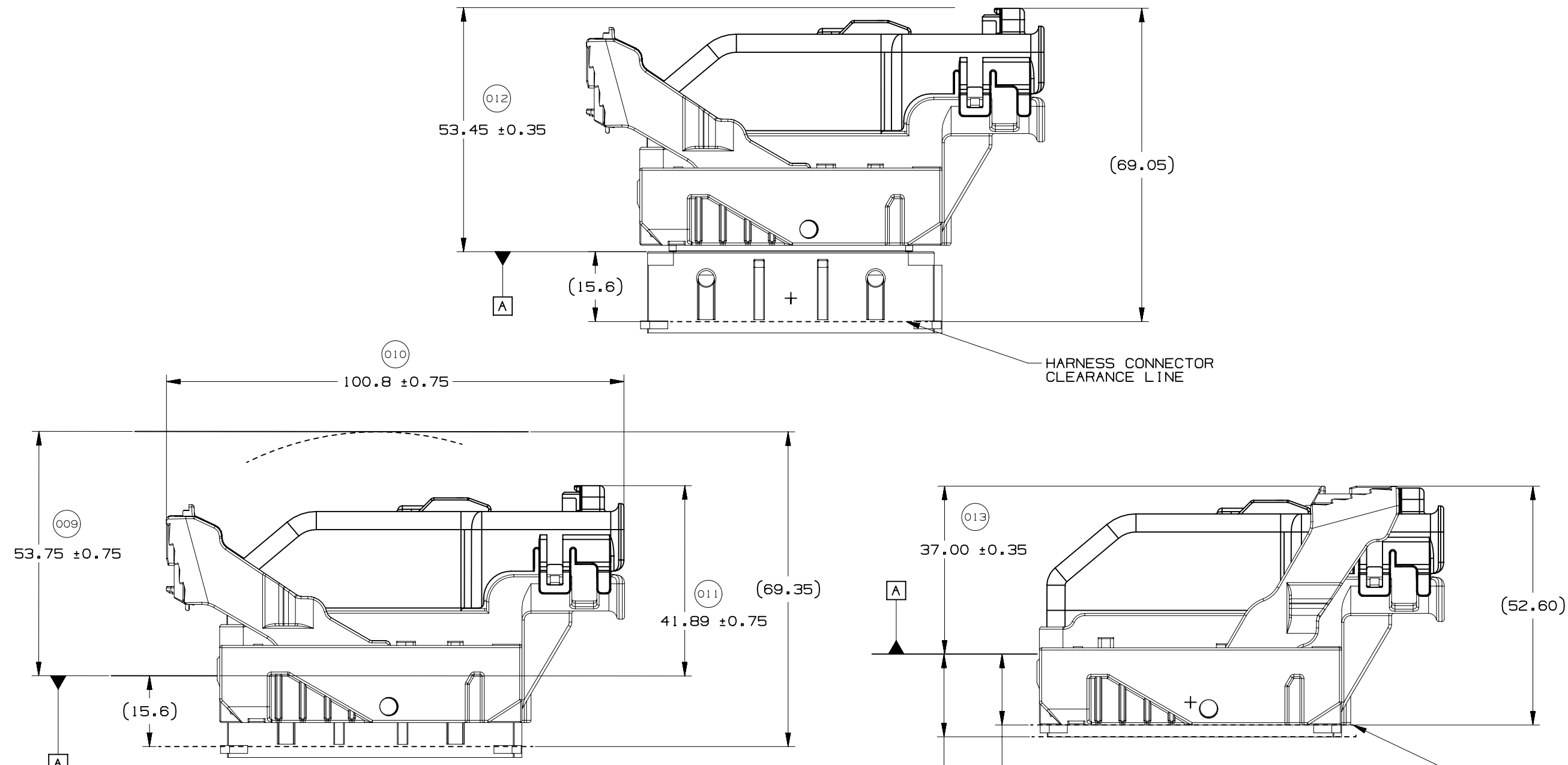


WIRE DRESS OPTION 0 SHOWN



WIRE DRESS OPTION 9 SHOWN





HARNESS CONNECTOR CLEARANCE LINE

HARNESS CONNECTOR ASSEMBLY IN FULLY-MATED POSITION

HARNESS CONNECTOR CLEARANCE LINE

15.6 MIN. ALL AROUND CLEARANCE REQUIRED FOR HARNESS CONNECTOR (014)

17.9 MIN. AT PAD LOCATION CLEARANCE REQUIRED FOR HARNESS CONNECTOR CONSTRUCTION BELOW THIS PLANE IS NOT CONTROLLED (015)

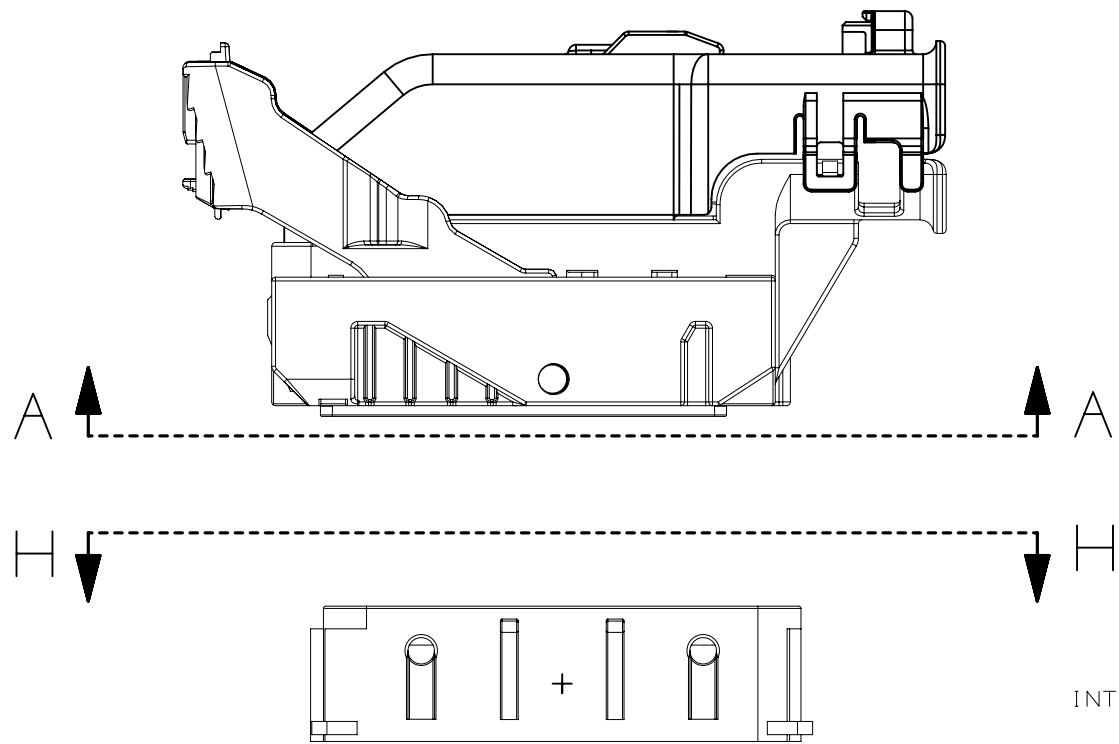


PAGE TITLE  
LOCATION AND PACKAGING DIMENSIONS  
REFERENCING INTERFACE DATUM A

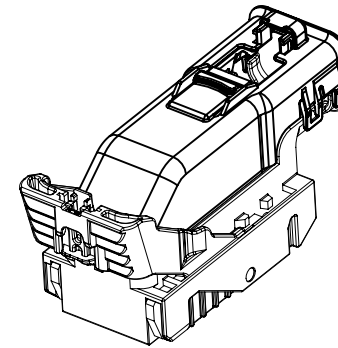
DRAWING NUMBER  
12672833

DWG STATUS		
ST	REV	PD1
R	001	

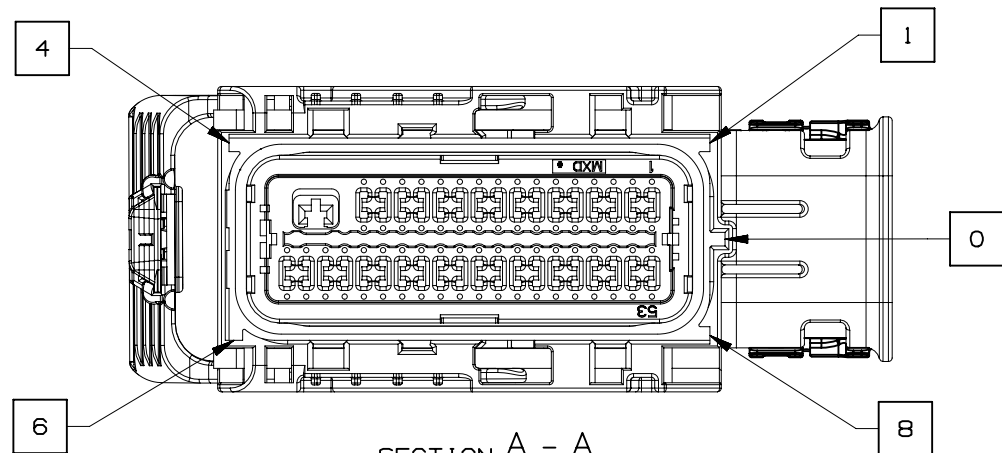
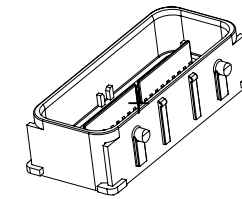
PAGE NUMBER  
10 OF 22



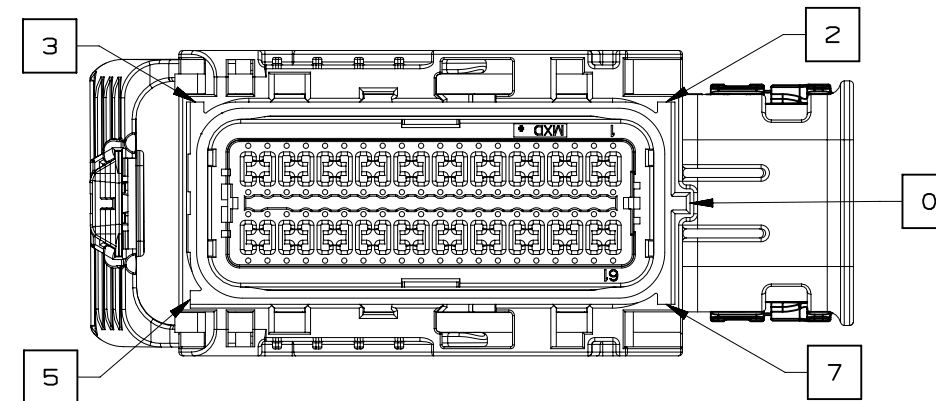
INTERFACE SIDE SHOWN ON ALL SECTION VIEWS



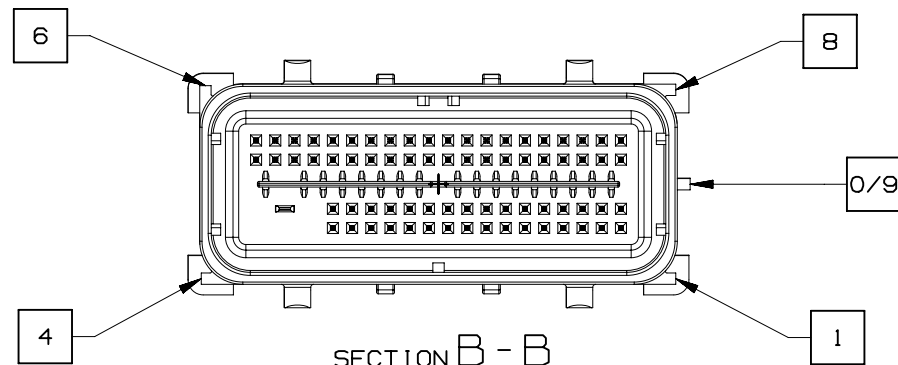
NOTE: REFERENCE THE COMPONENT TABLE FOR KEY OPTIONS AND CONFIGURATIONS



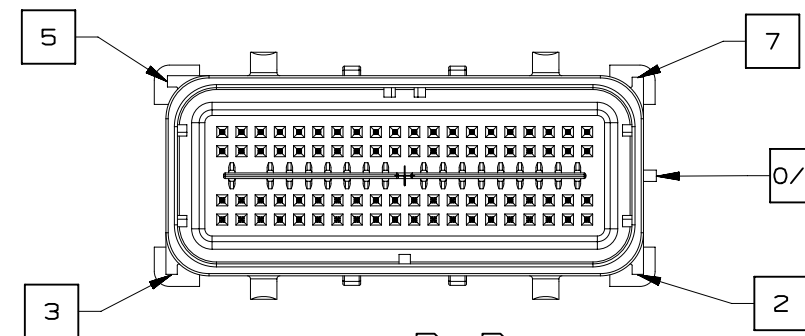
SECTION A - A  
73 CKT HARNESS CONNECTOR ASSEMBLY  
KEY OPTION B SHOWN



SECTION A - A  
80 CKT HARNESS CONNECTOR ASSEMBLY  
KEY OPTION K SHOWN



SECTION B - B  
73 CKT HARNESS CONNECTOR ASSEMBLY  
KEY OPTION B SHOWN



SECTION B - B  
80 CKT HARNESS CONNECTOR ASSEMBLY  
KEY OPTION K SHOWN

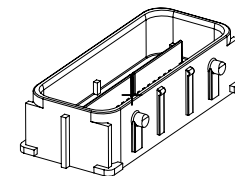
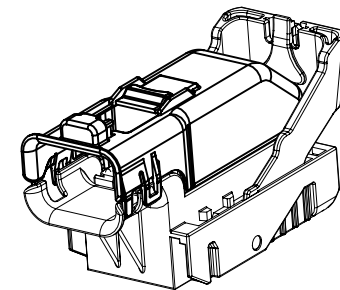
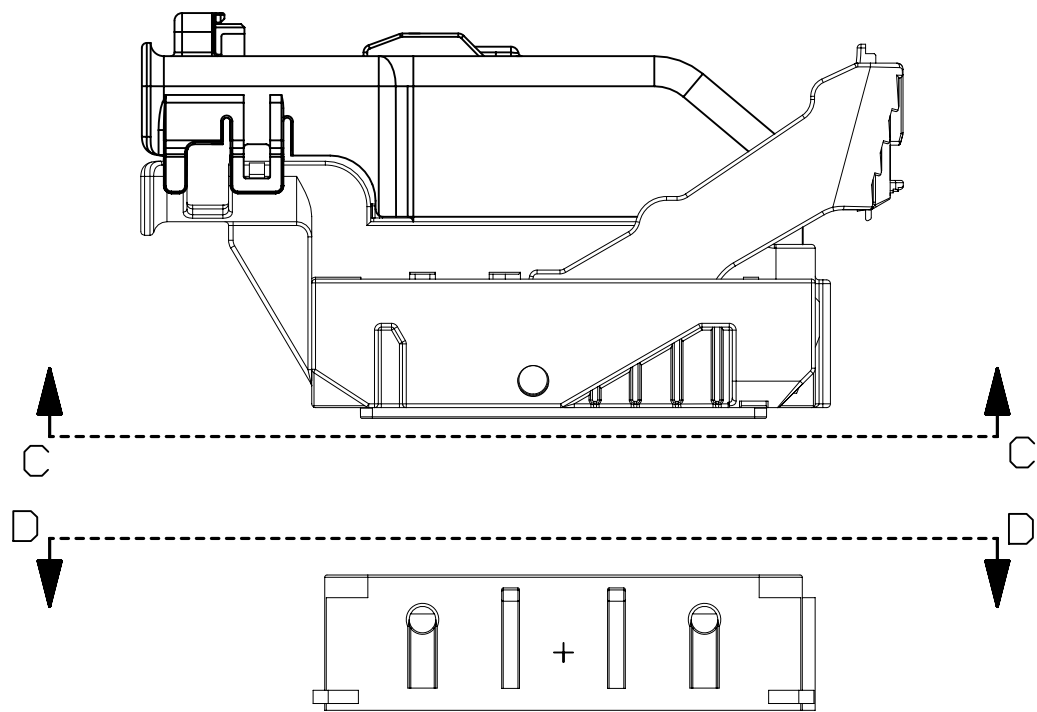


PAGE TITLE  
KEY ID REF - WIRE DRESS OPTION 0

DRAWING NUMBER  
12672833

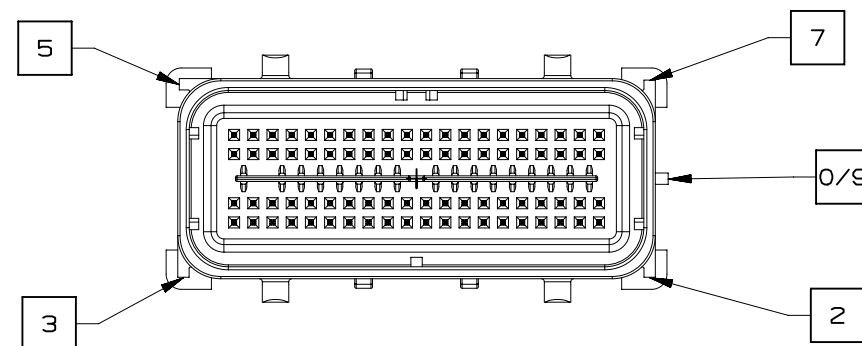
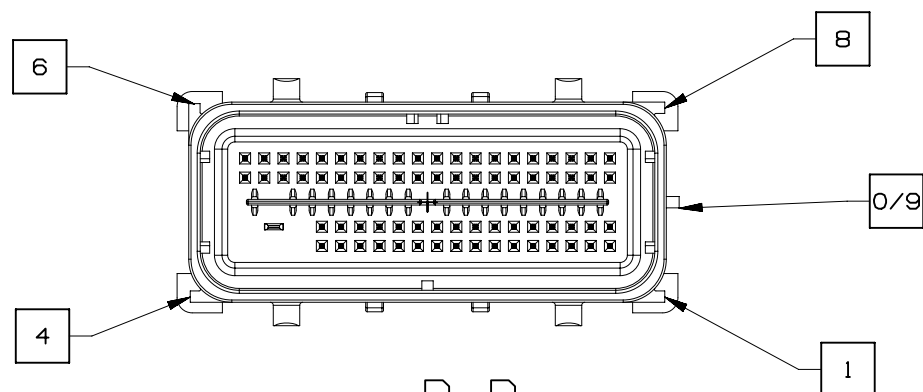
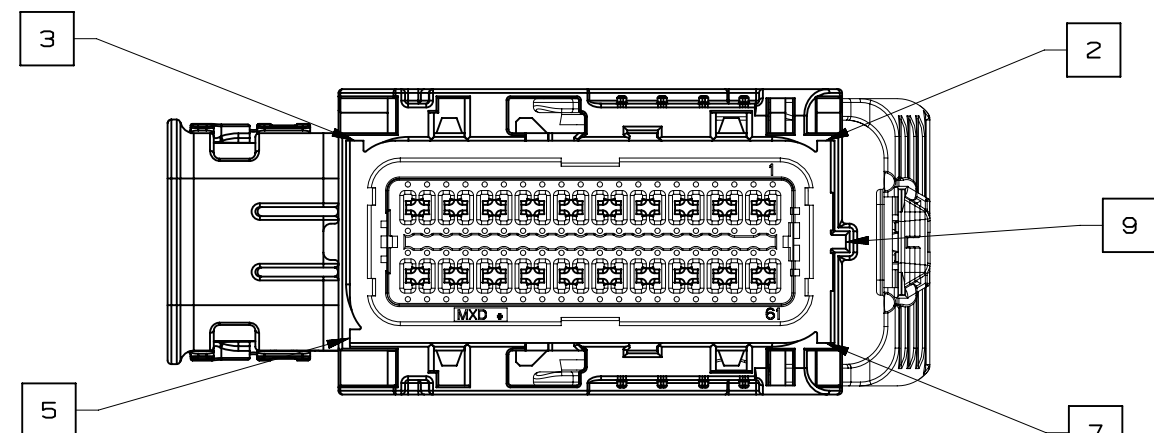
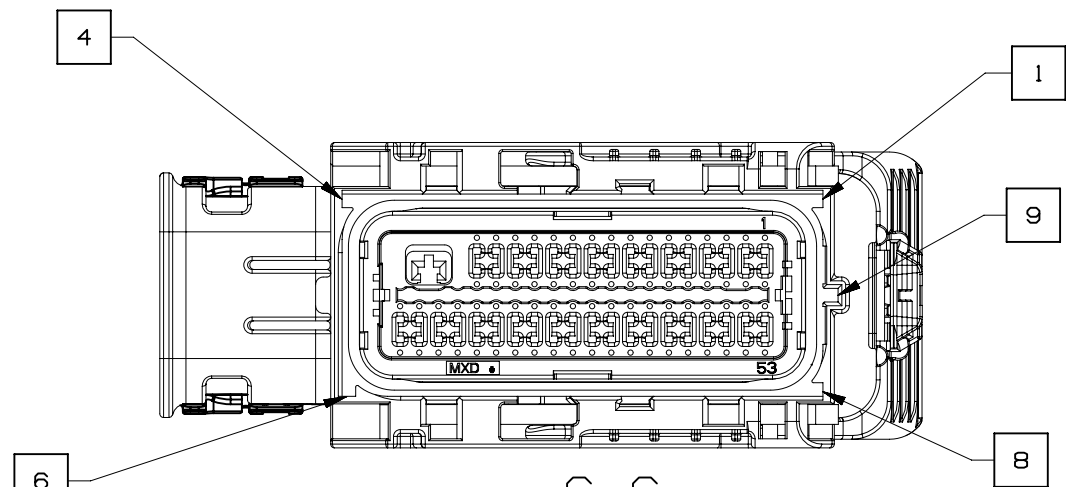
DWG STATUS		
ST	REV	PD1
R	001	

PAGE NUMBER  
11 OF 22



NOTE: REFERENCE THE COMPONENT TABLE FOR KEY OPTIONS AND CONFIGURATIONS

INTERFACE SIDE SHOWN ON ALL SECTION VIEWS



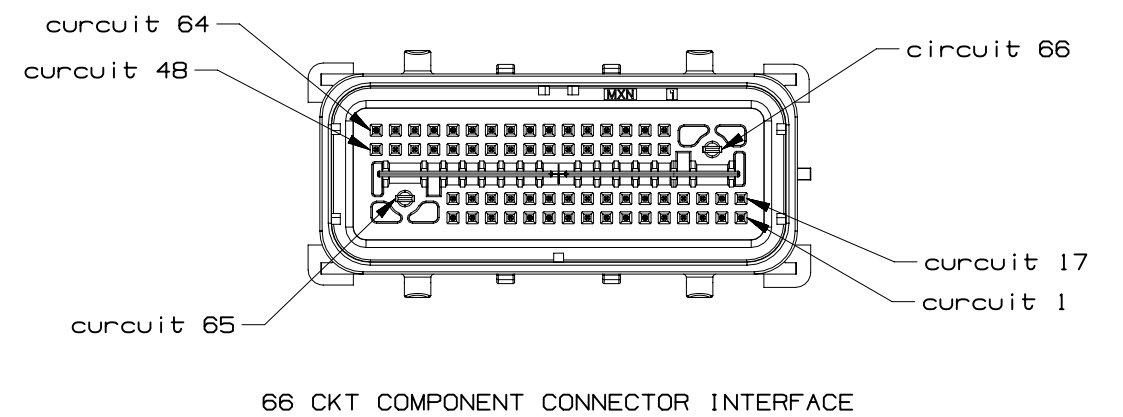
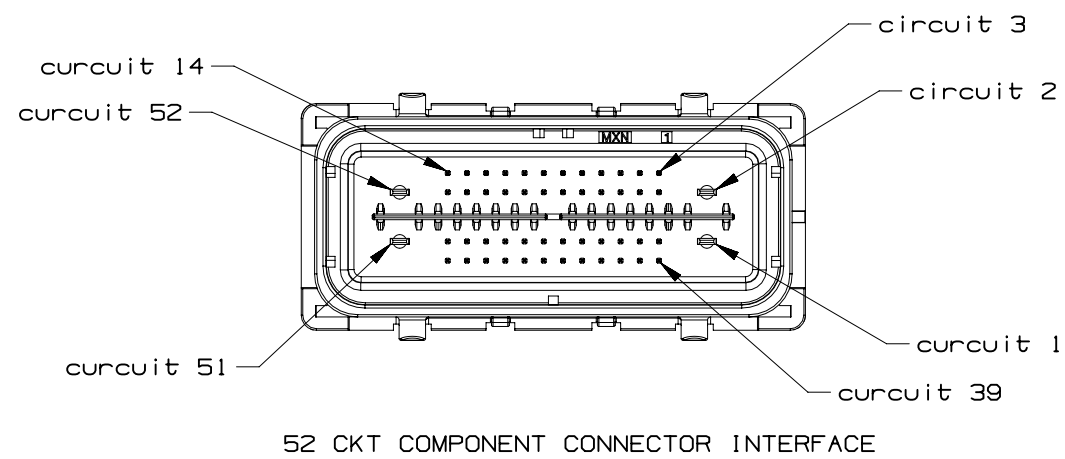
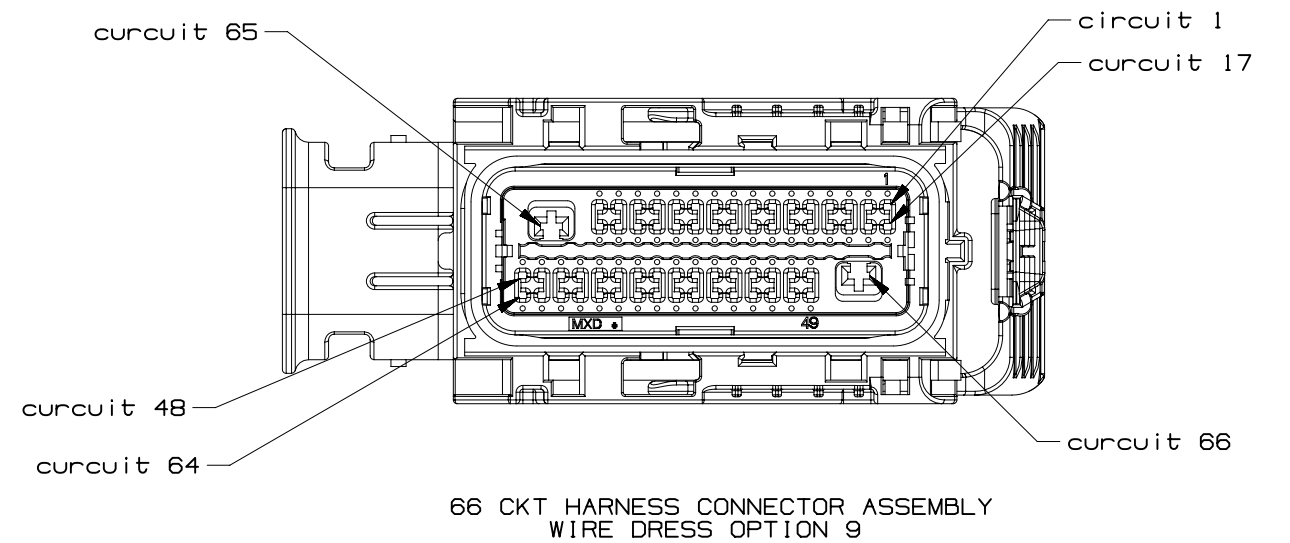
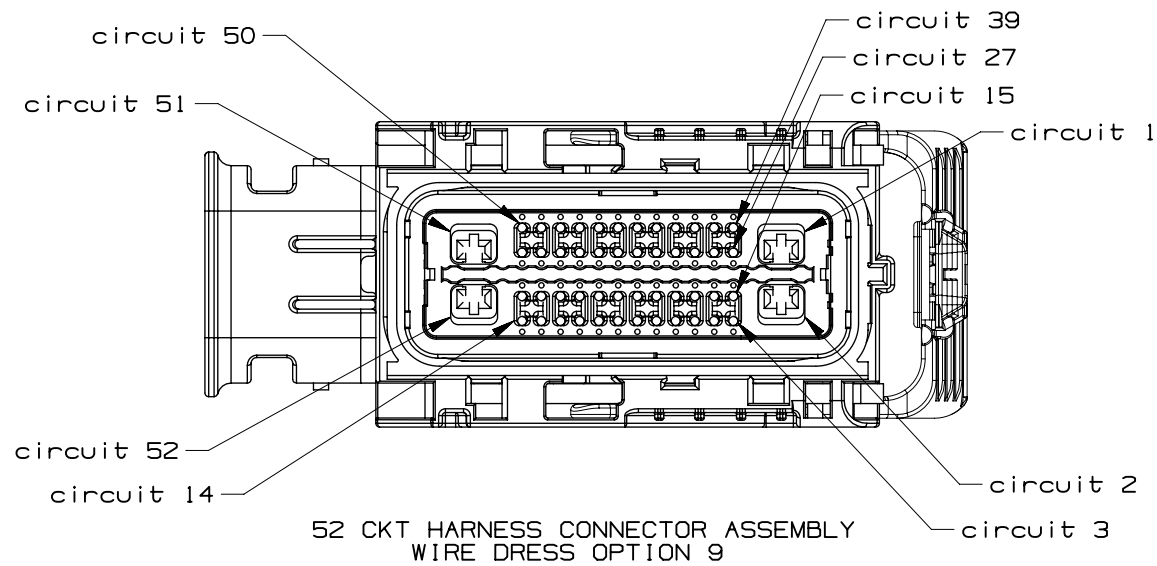
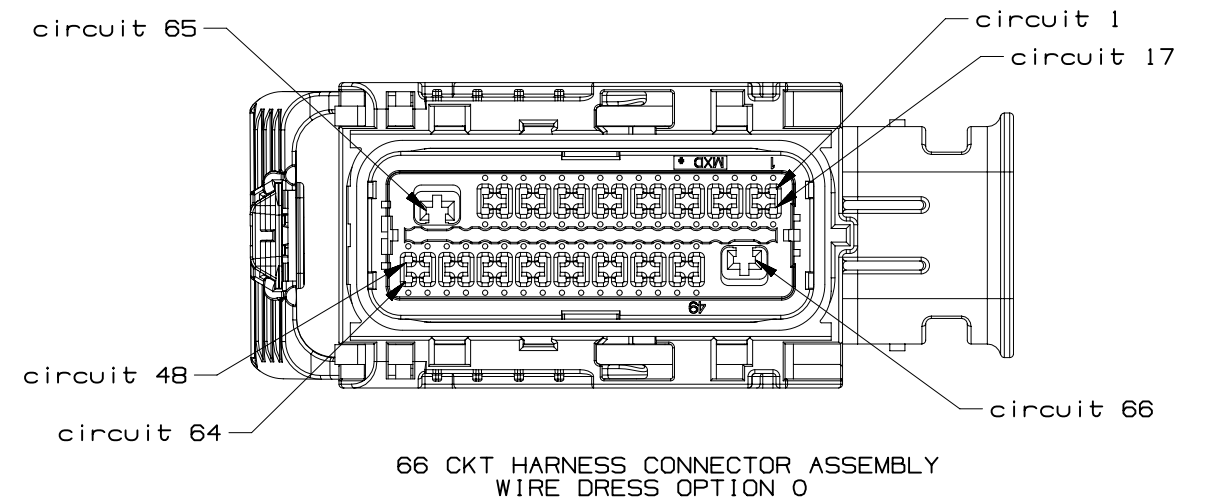
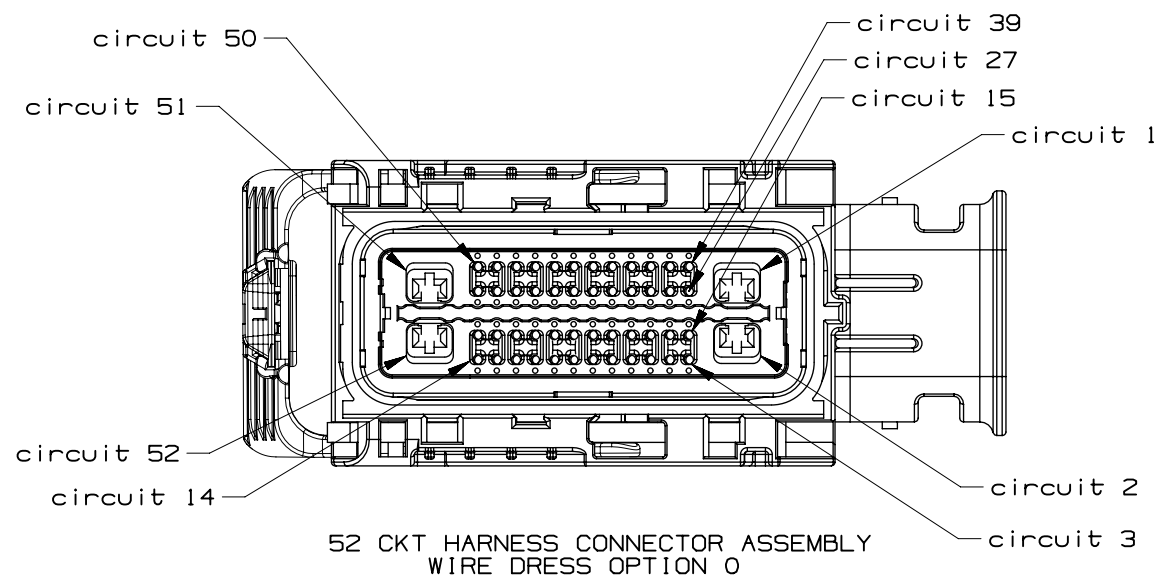
PAGE TITLE  
KEY ID REF - WIRE DRESS OPTION 9

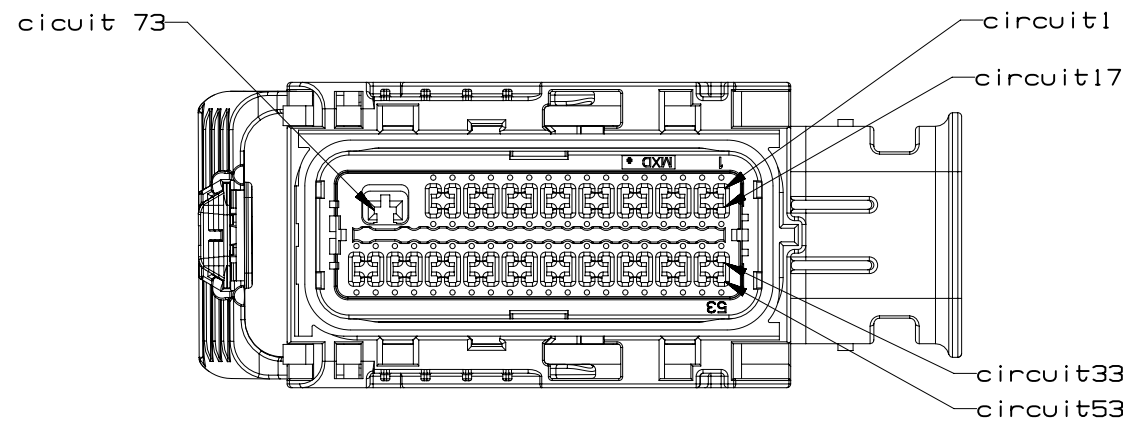
DRAWING NUMBER  
12672833

DWG STATUS		
ST	REV	PD1
R	001	

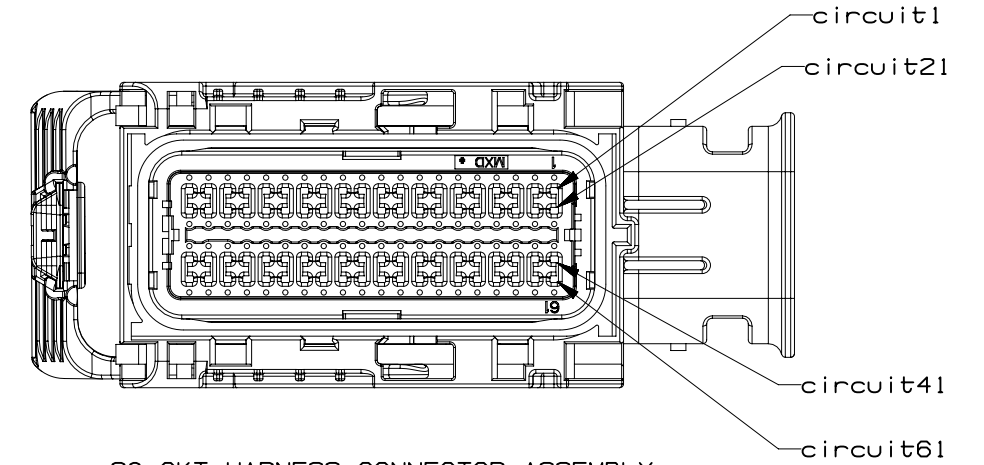
PAGE NUMBER  
12 OF 22





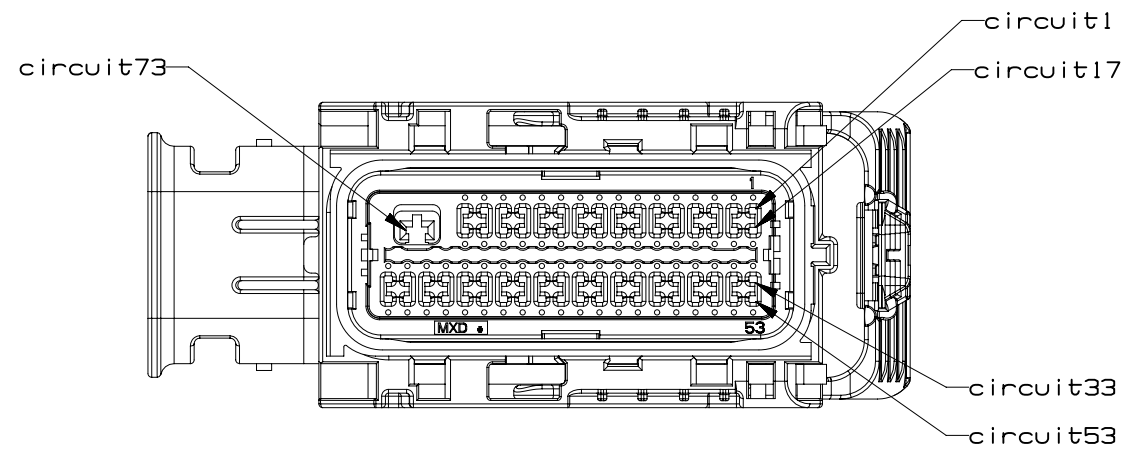


73 CKT HARNESS CONNECTOR ASSEMBLY  
WIRE DRESS OPTION 0

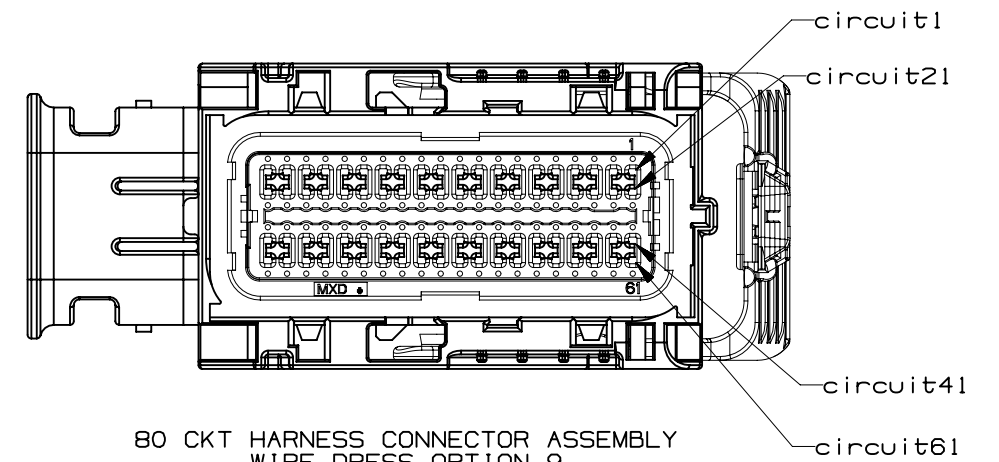


80 CKT HARNESS CONNECTOR ASSEMBLY  
WIRE DRESS OPTION 0

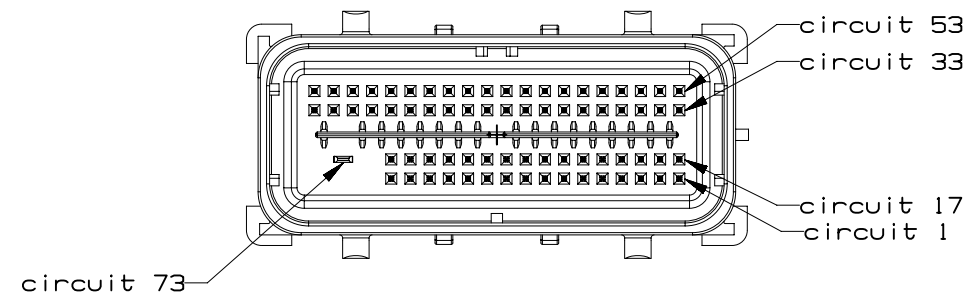
INTERFACE SIDE SHOWN ON ALL VIEWS



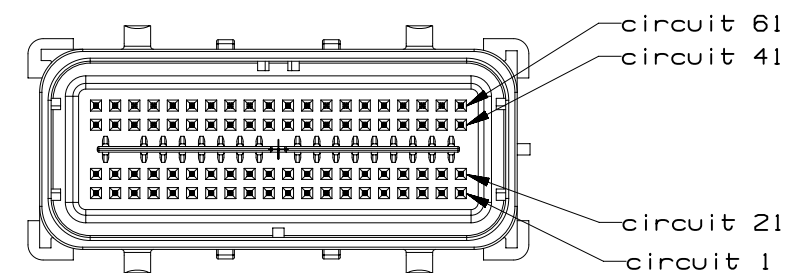
73 CKT HARNESS CONNECTOR ASSEMBLY  
WIRE DRESS OPTION 9



80 CKT HARNESS CONNECTOR ASSEMBLY  
WIRE DRESS OPTION 9

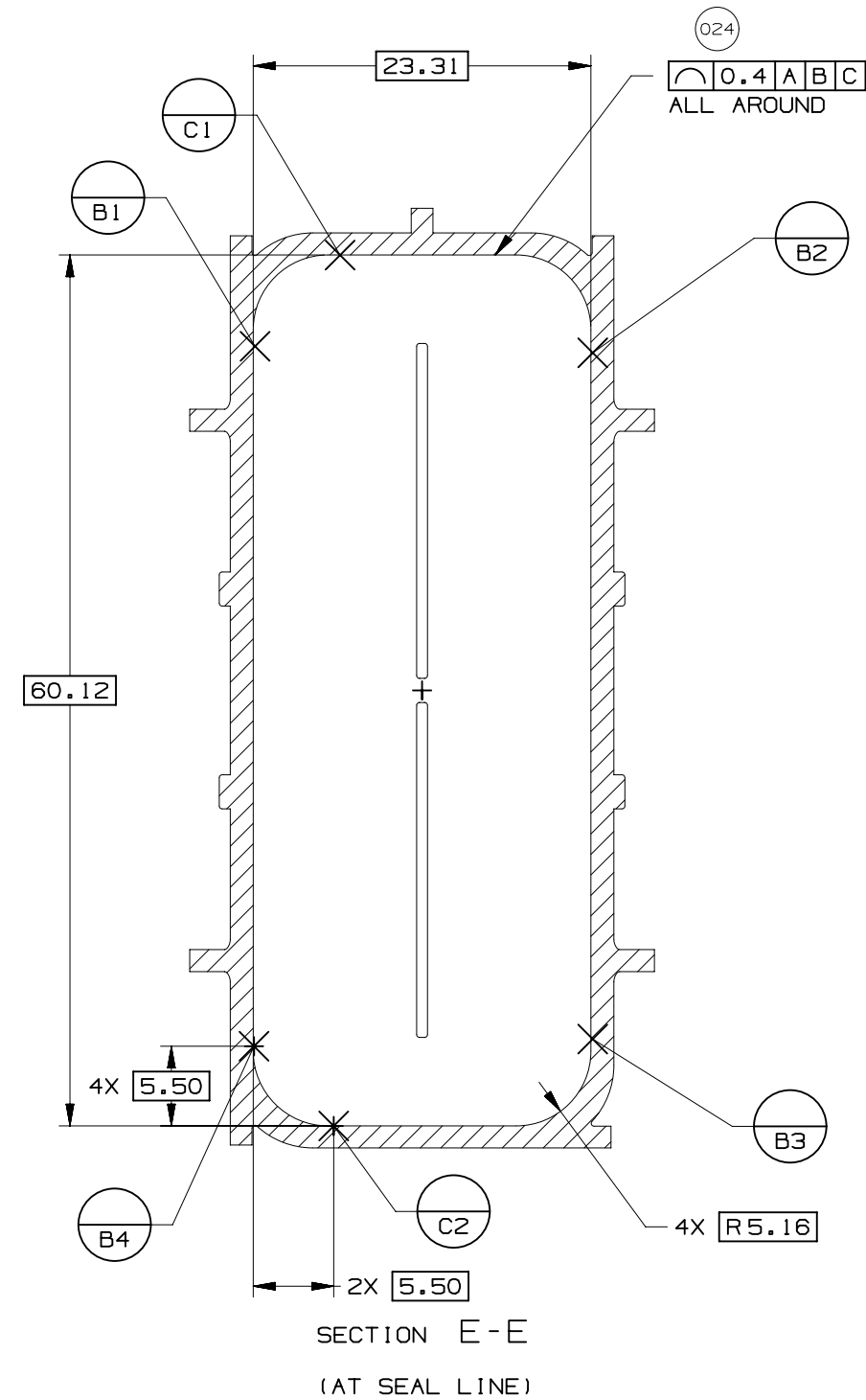
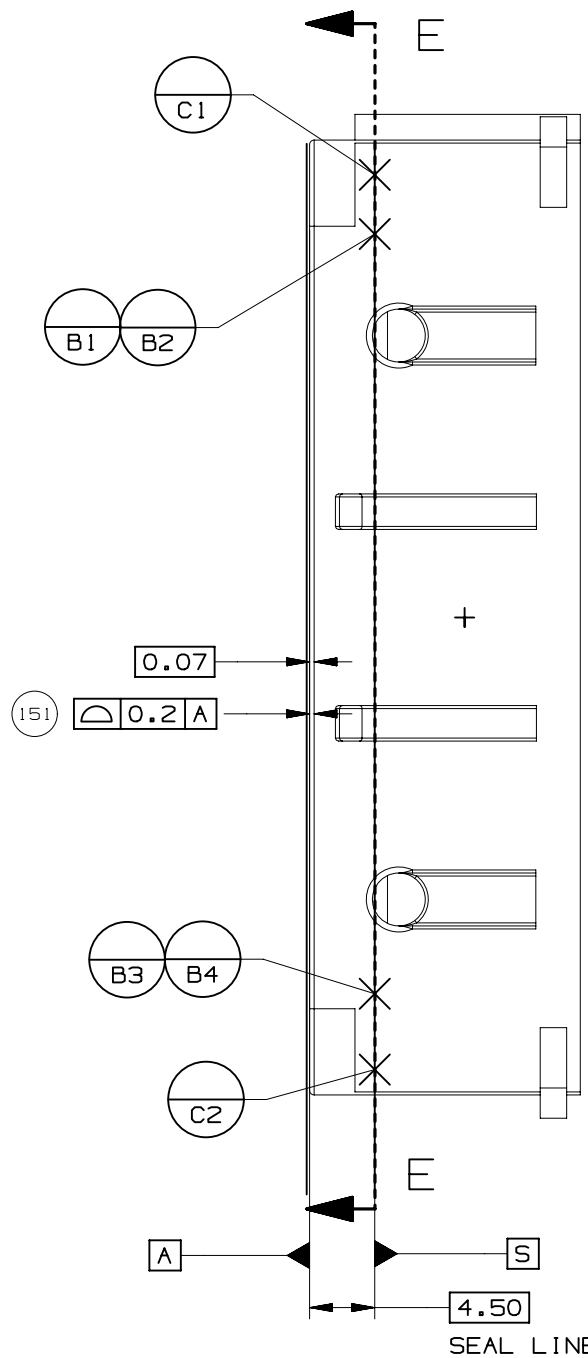
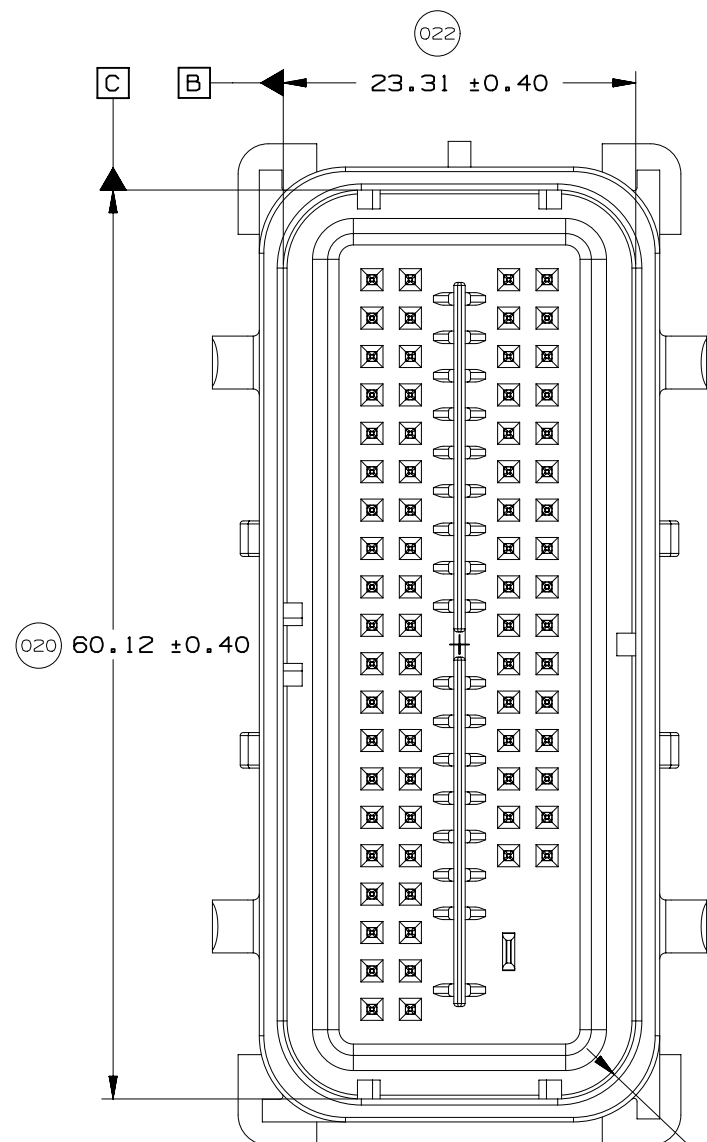
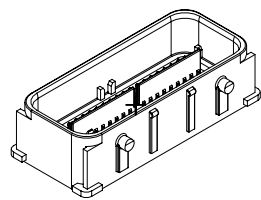


73 CKT COMPONENT CONNECTOR INTERFACE



80 CKT COMPONENT CONNECTOR INTERFACE





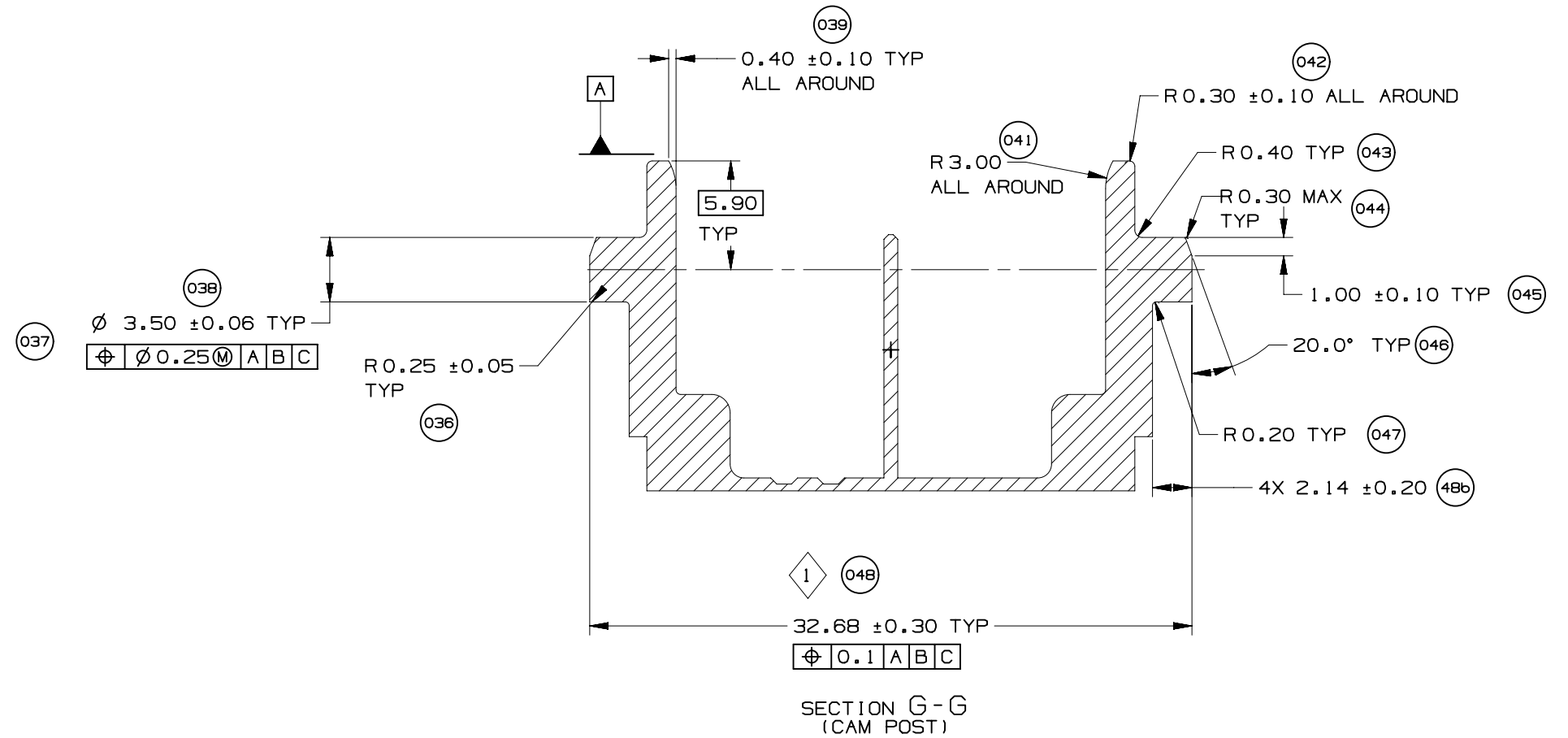
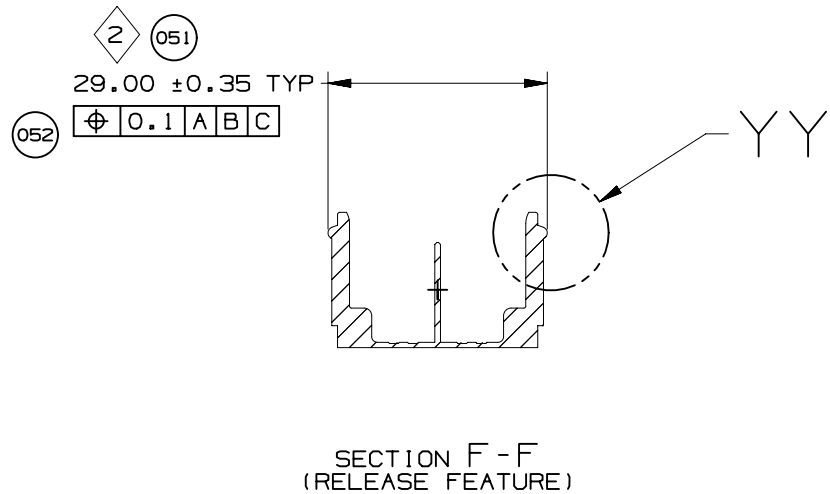
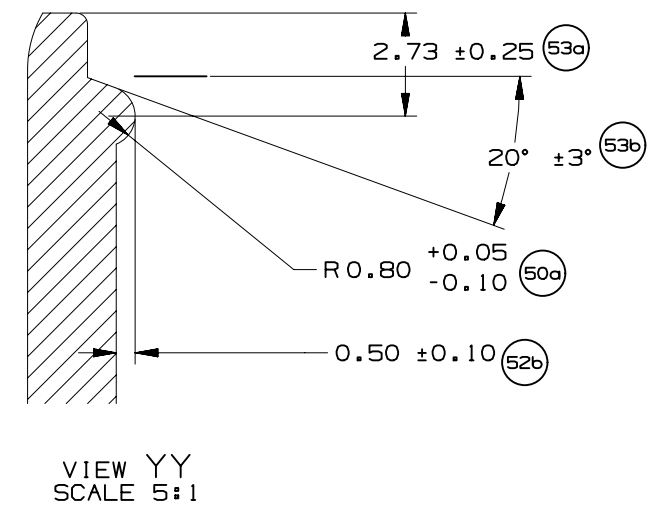
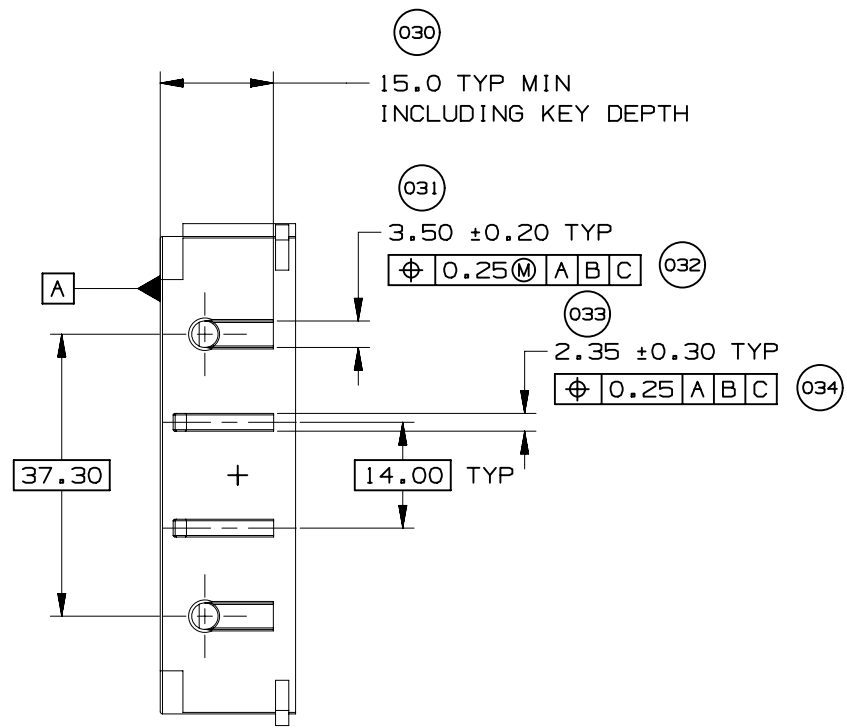
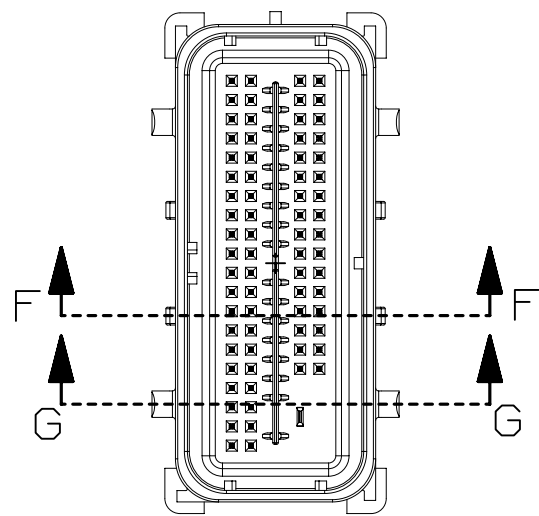
UNLESS SPECIFIED, TOLERANCE OF THE COMPONENT CONNECTOR INTERFACE TO BE  $\sqrt[0.13]{A B C}$



PAGE TITLE  
COMPONENT CONNECTOR INTERFACE

DRAWING NUMBER  
12672833

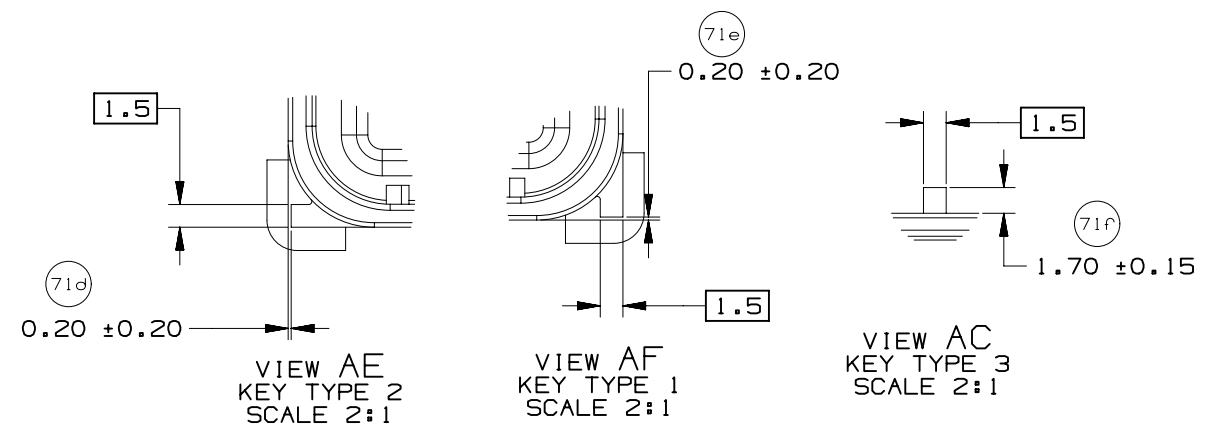
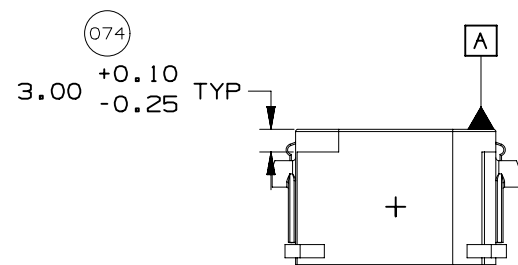
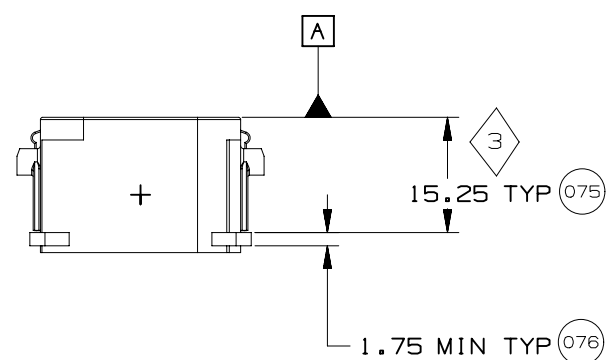
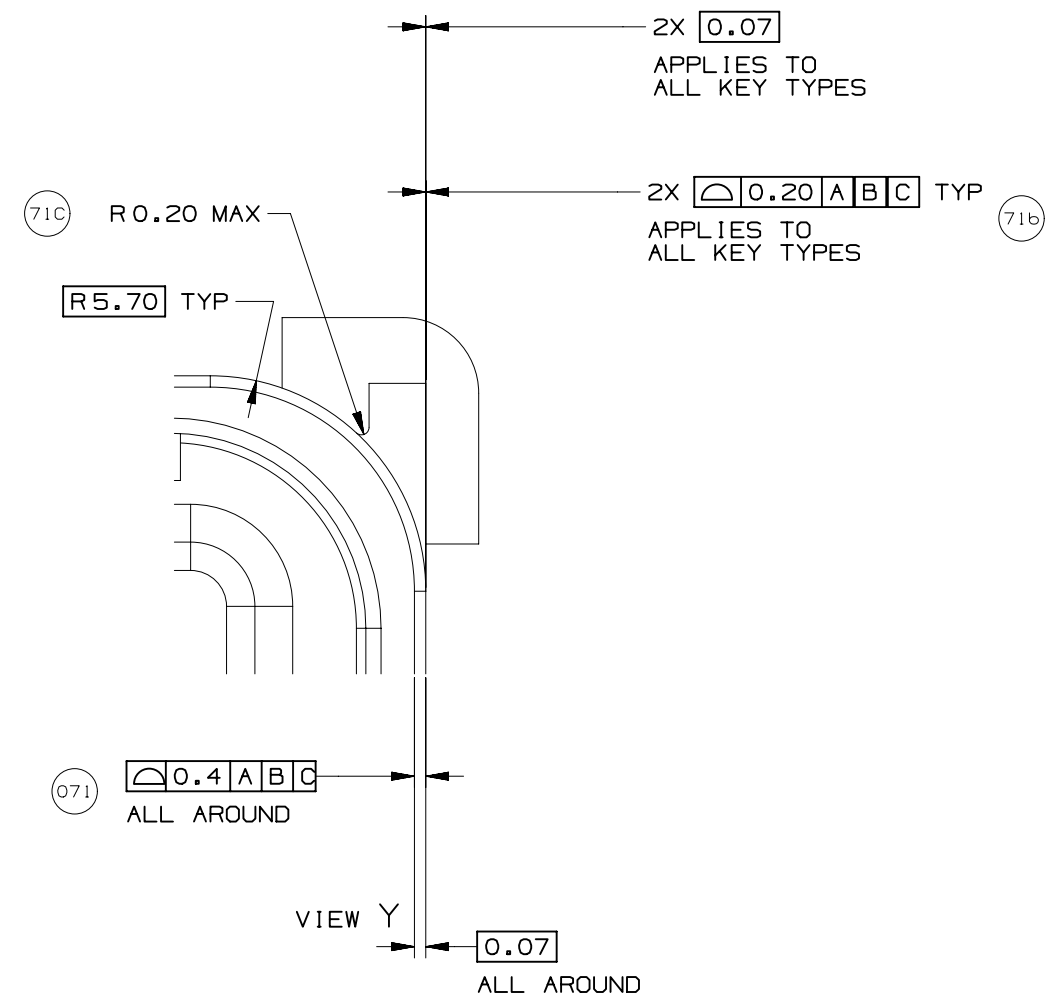
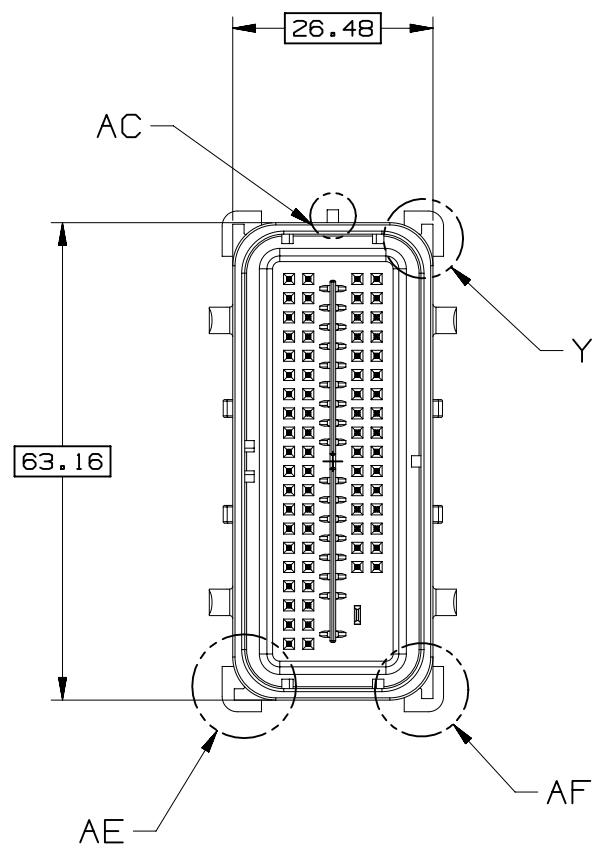
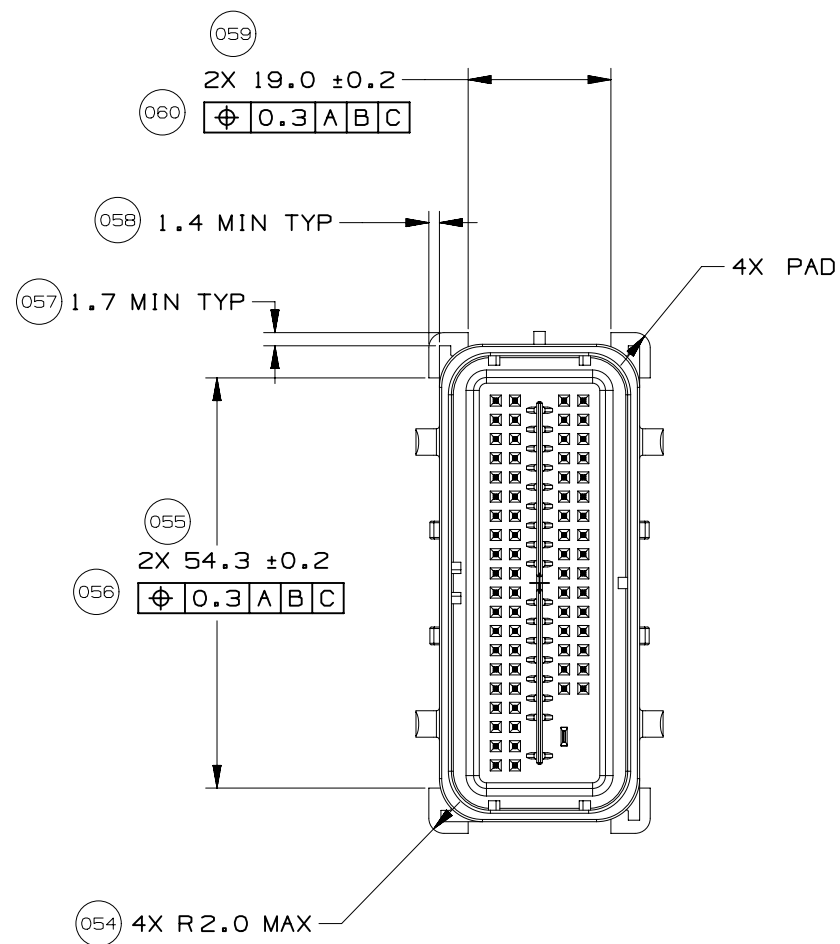
DWG STATUS			PAGE NUMBER
ST	REV	PD1	
R	001		15 OF 22



PAGE TITLE  
COMPONENT CONNECTOR INTERFACE

DRAWING NUMBER  
12672833

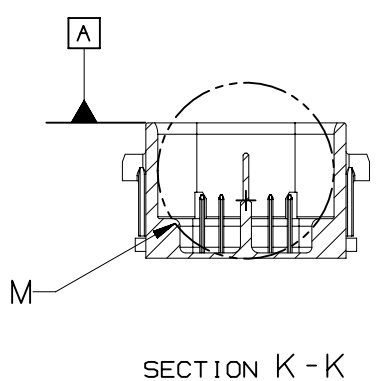
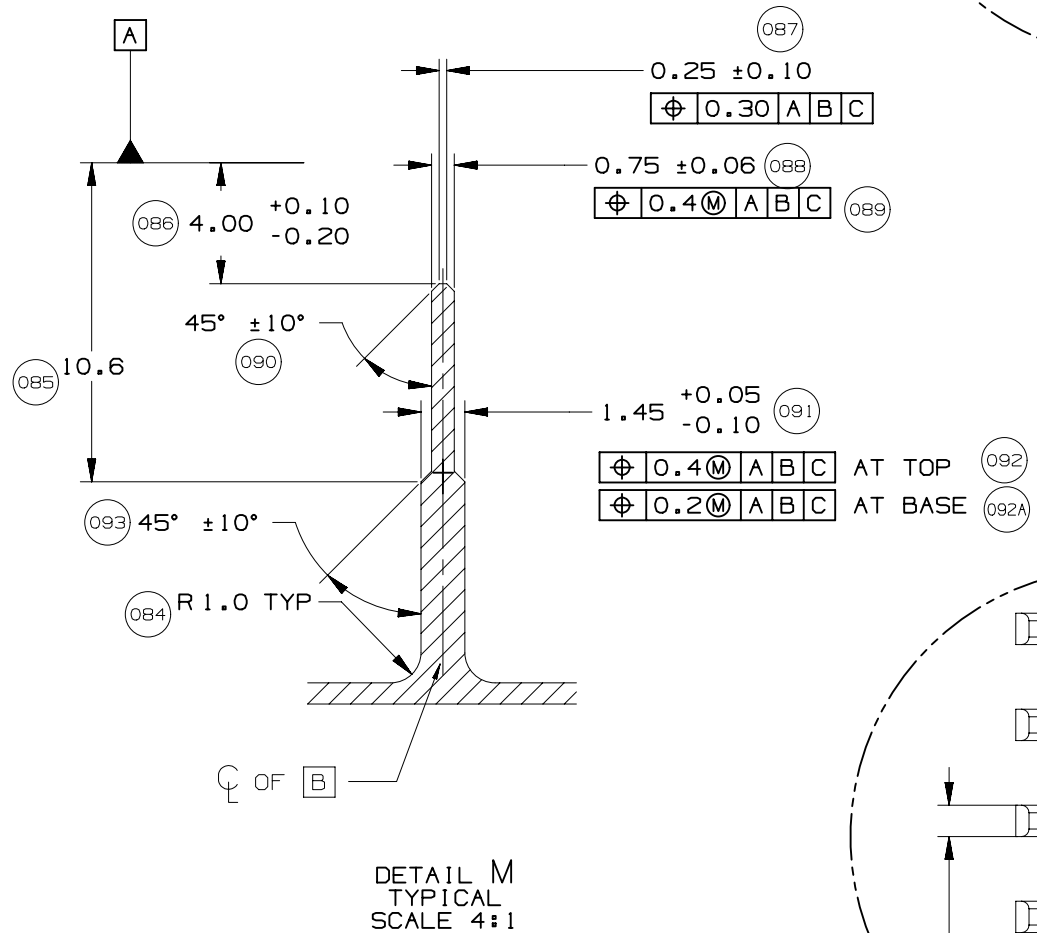
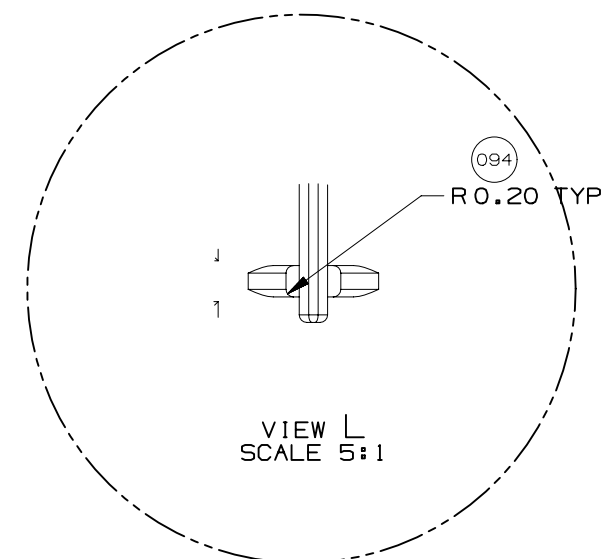
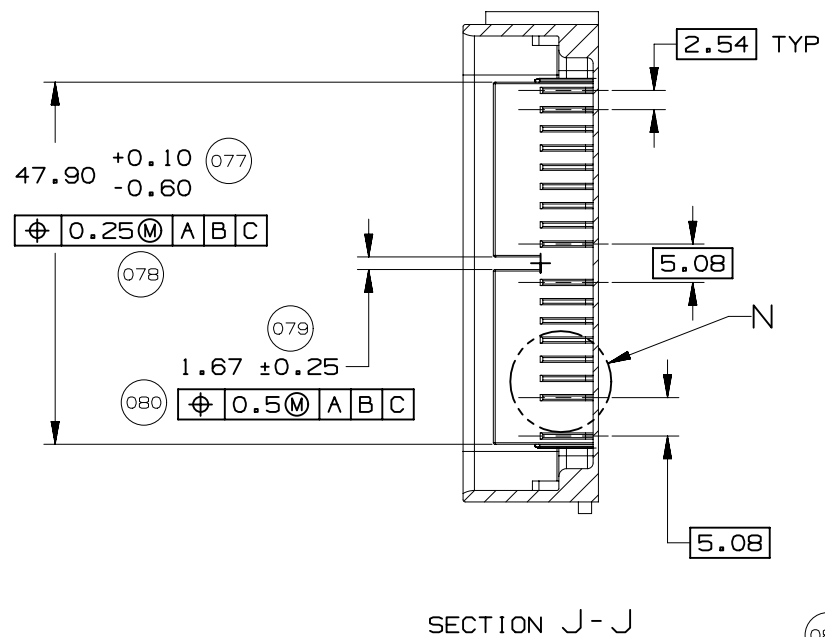
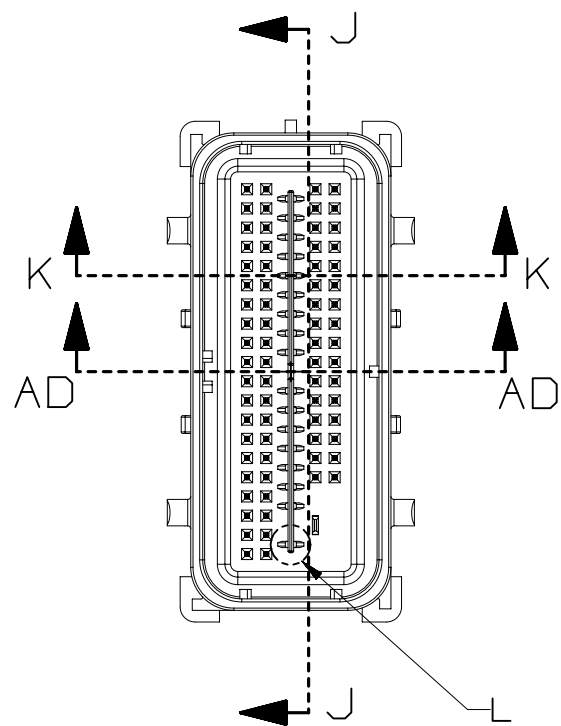
DWG STATUS			PAGE NUMBER
ST	REV	PDI	
R	001		16 OF 22



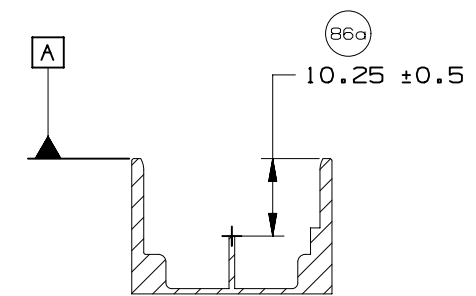
PAGE TITLE  
 COMPONENT CONNECTOR INTERFACE

DRAWING NUMBER  
 12672833

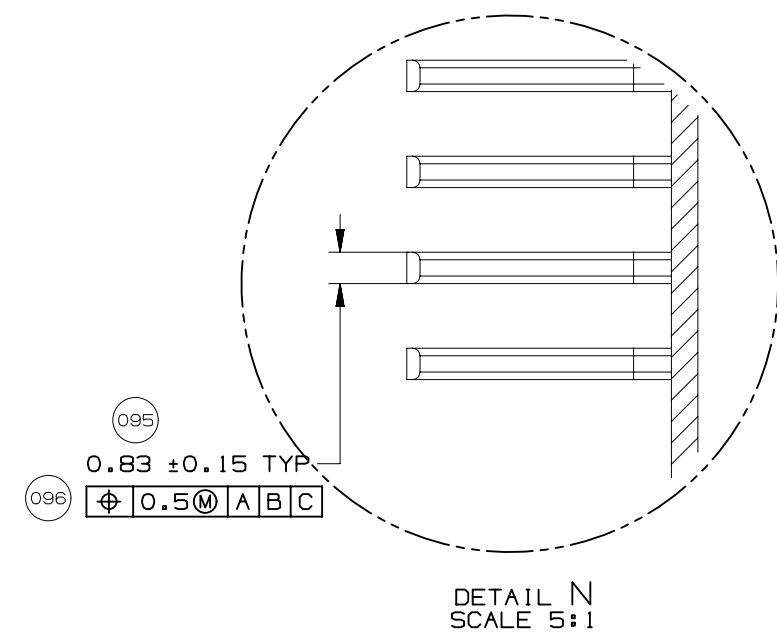
DWG STATUS			PAGE NUMBER
ST	REV	PD1	
R	001		17 OF 22



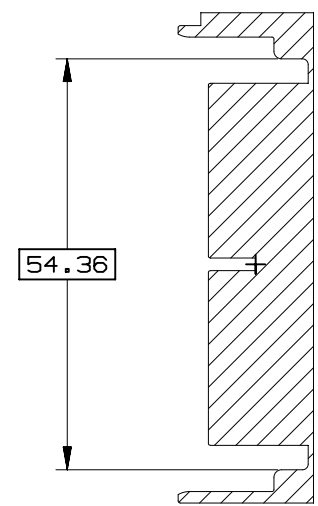
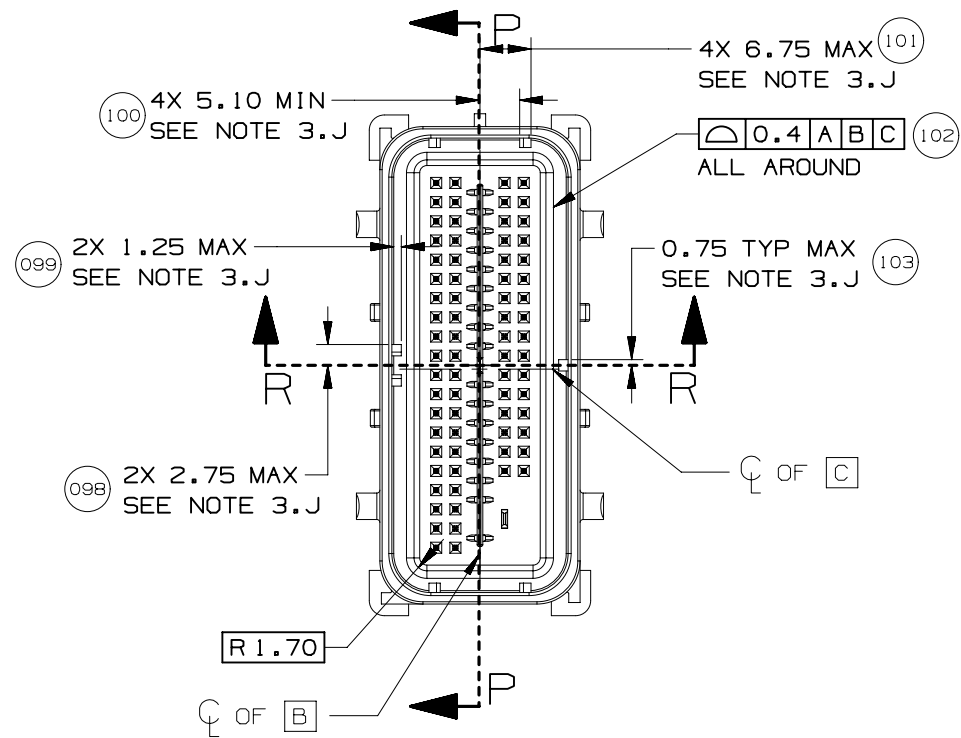
SECTION K-K



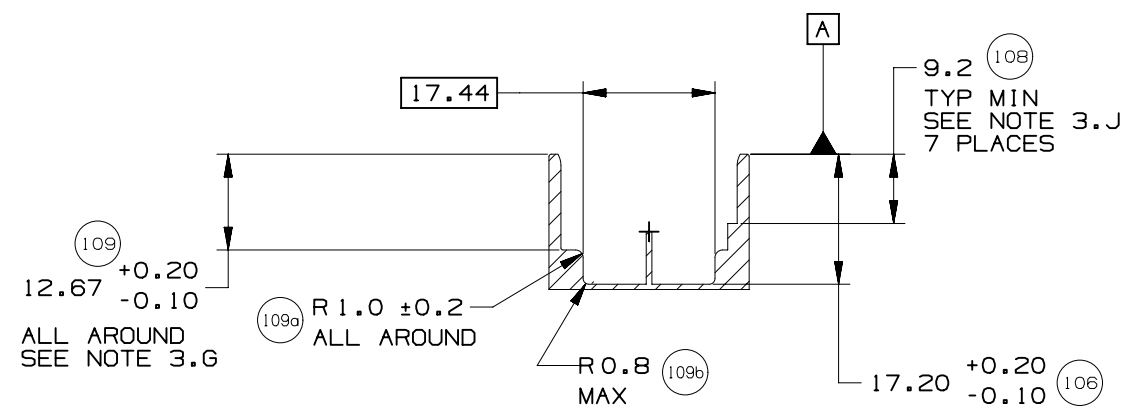
SECTION AD-AD



DETAIL N  
SCALE 5:1



SECTION P-P



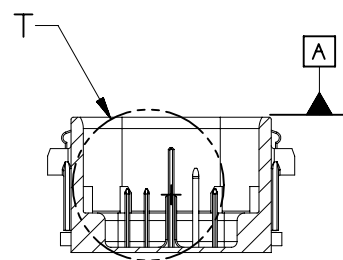
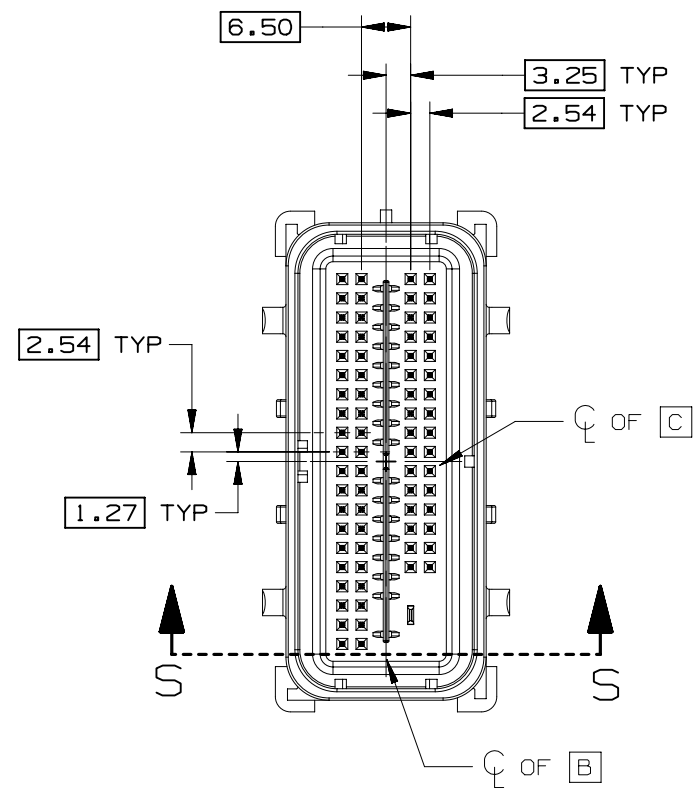
SECTION R-R



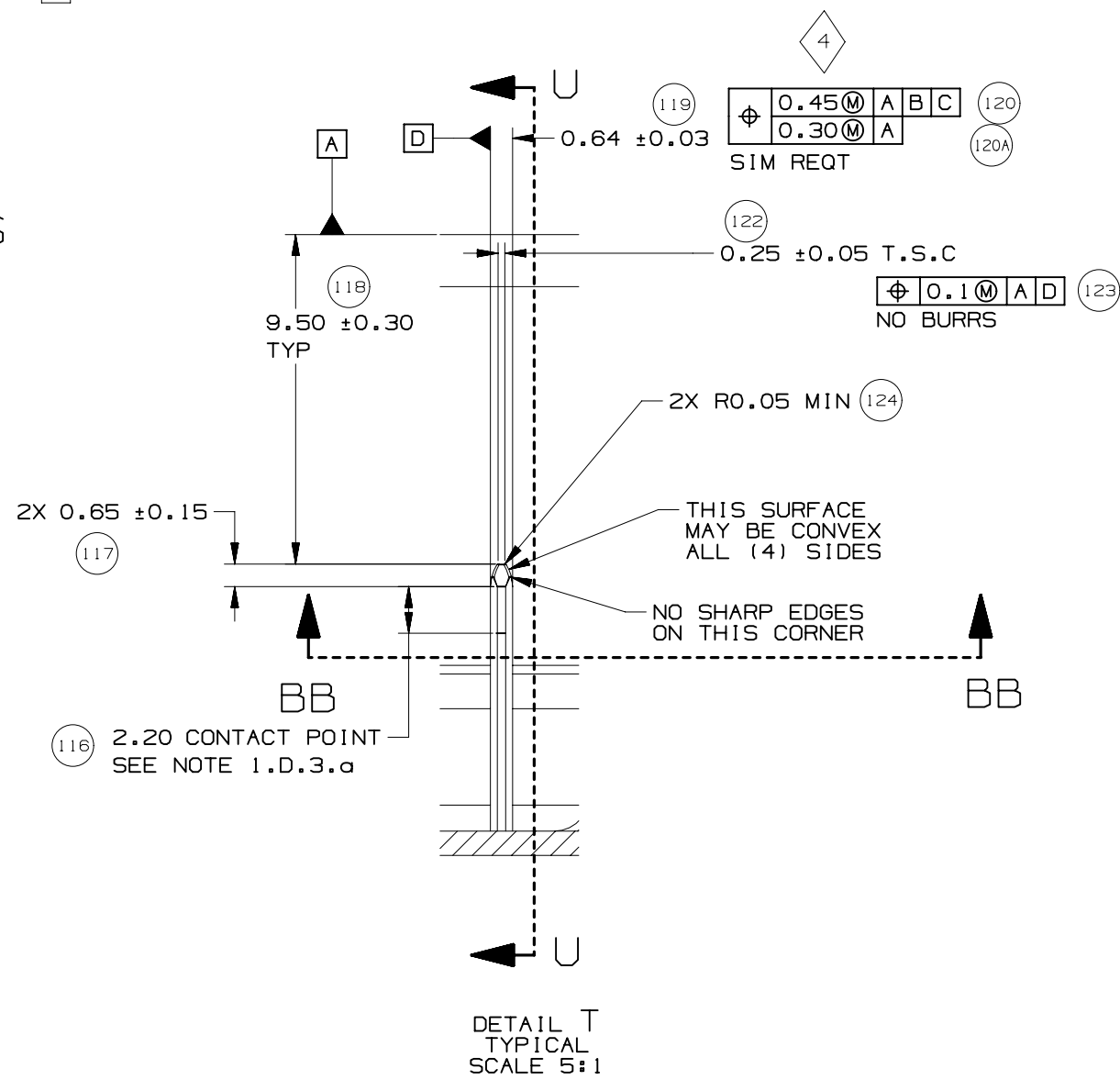
PAGE TITLE  
COMPONENT CONNECTOR INTERFACE

DRAWING NUMBER  
12672833

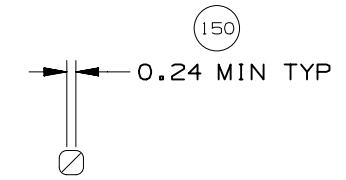
DWG STATUS			PAGE NUMBER	
ST	REV	PD1	19	OF 22
R	001			



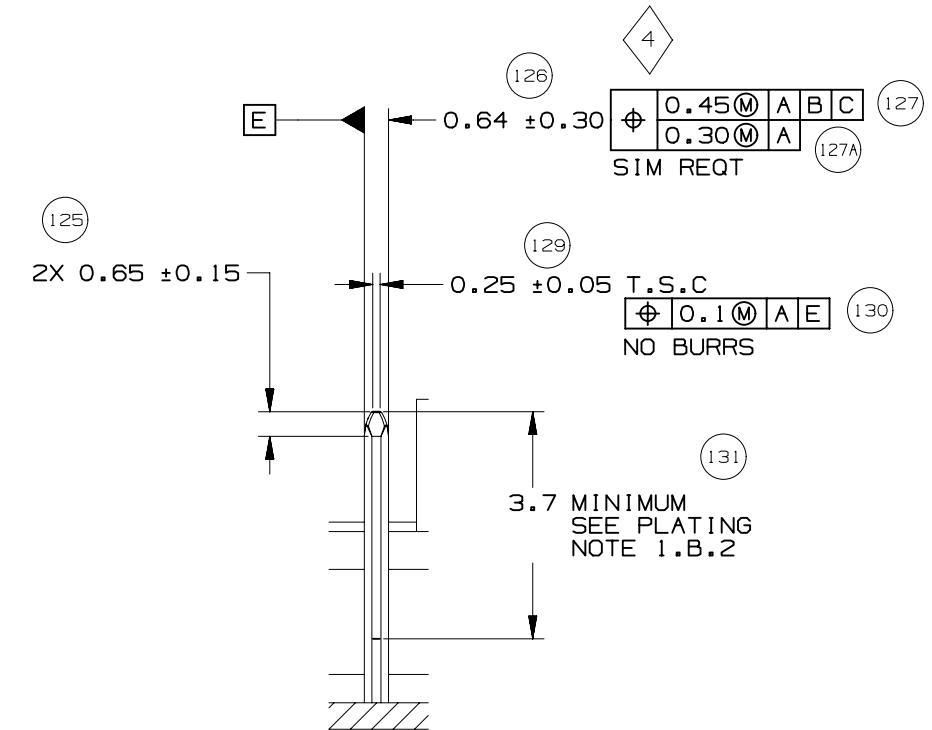
SECTION S-S



DETAIL T  
TYPICAL  
SCALE 5:1



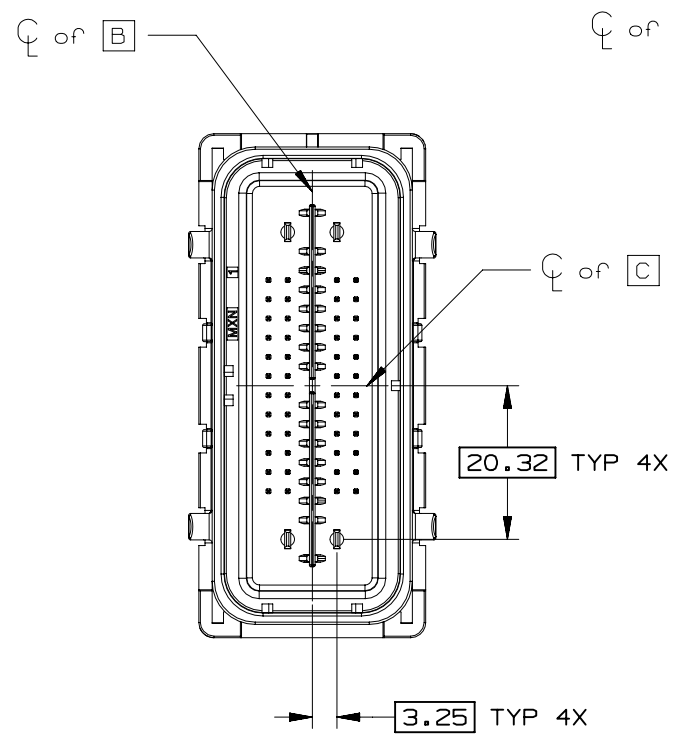
SECTION BB-BB



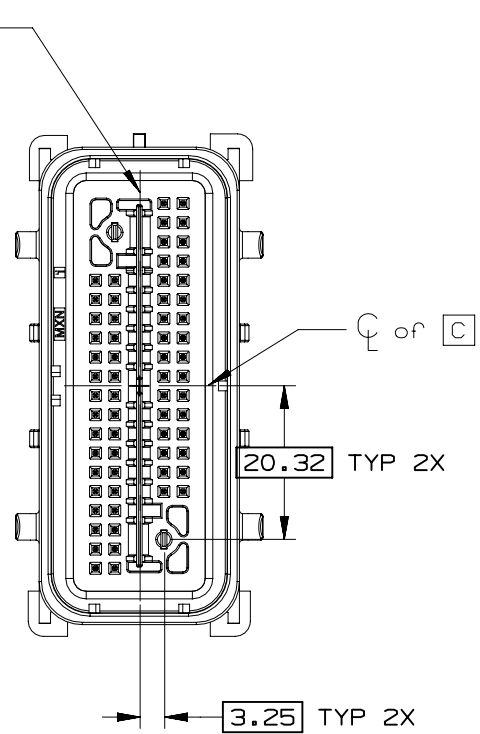
SECTION U-U  
TYPICAL



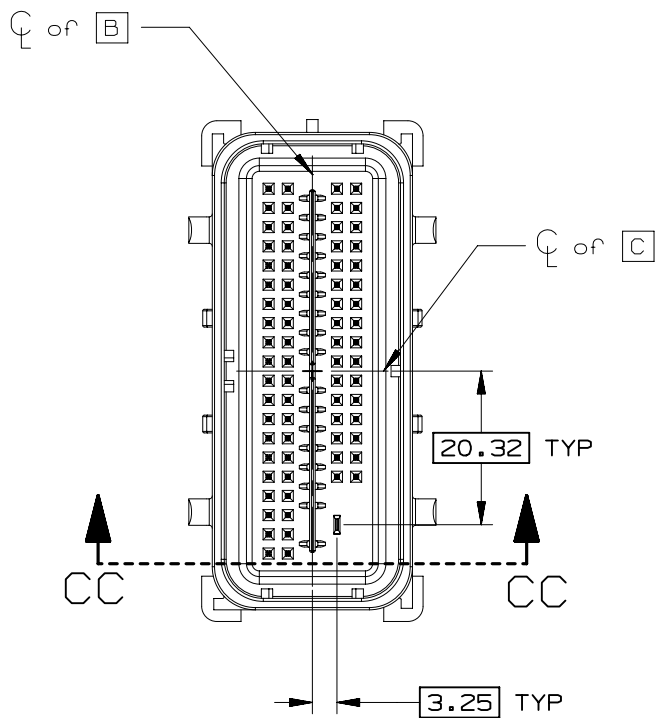




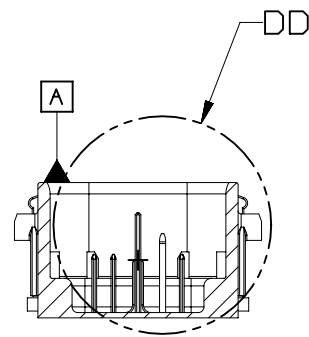
52 CKT COMPONENT  
CONNECTOR INTERFACE



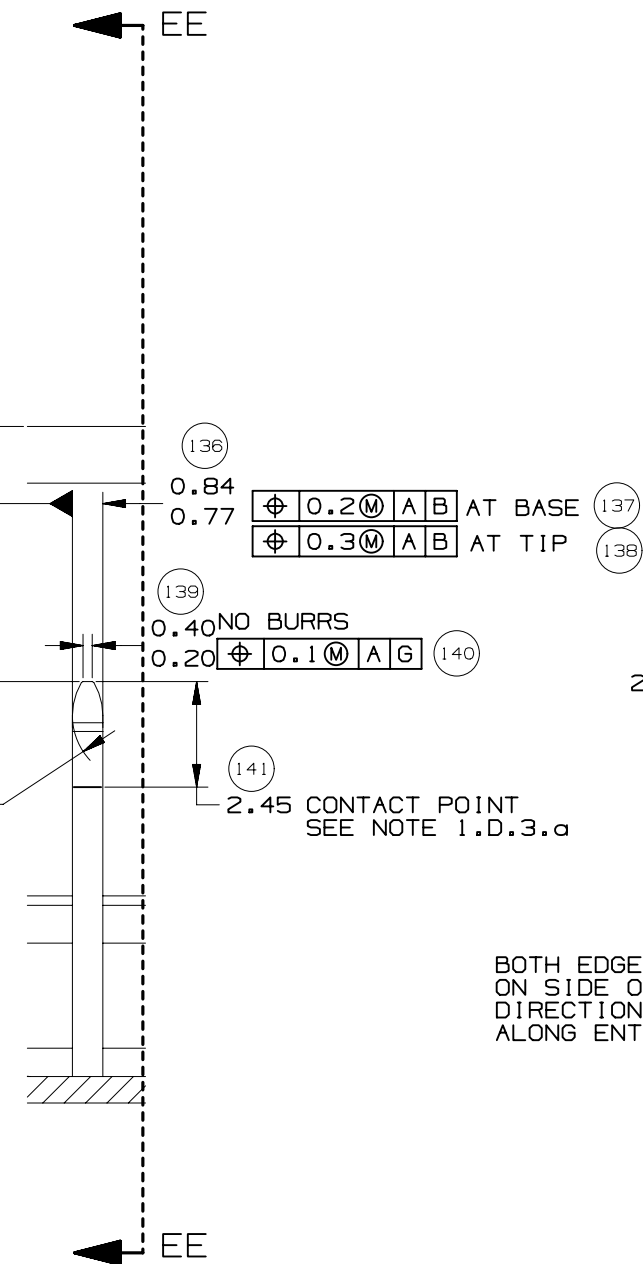
66 CKT COMPONENT  
CONNECTOR INTERFACE



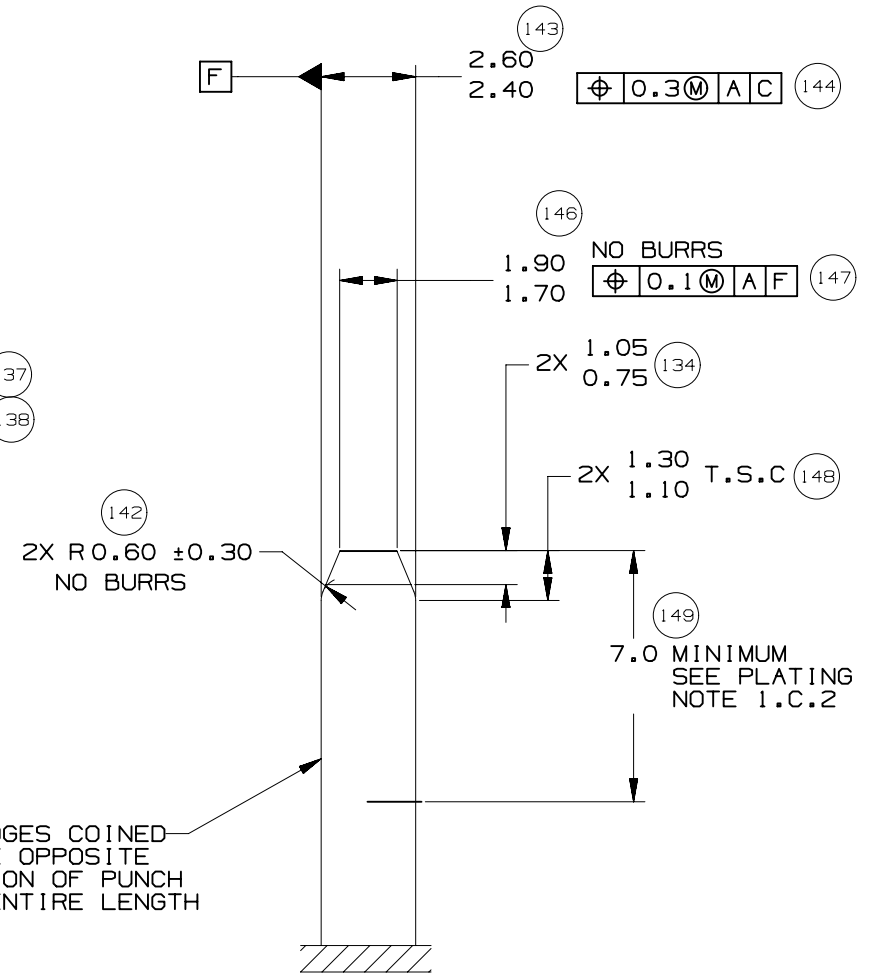
73 CKT COMPONENT  
CONNECTOR INTERFACE



SECTION CC-CC



DETAIL DD  
TYPICAL  
SCALE 5:1

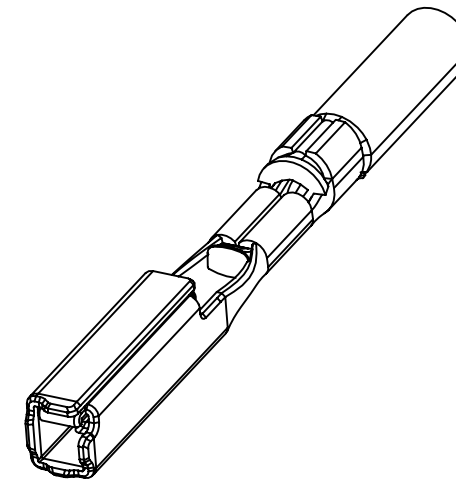
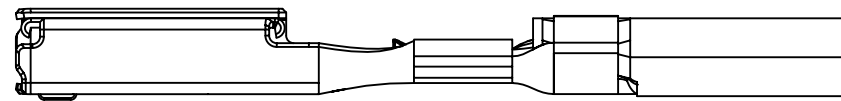
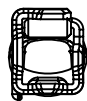


SECTION EE-EE  
TYPICAL



MOLEX MX64 RECEPTACLE TERMINAL INFORMATION

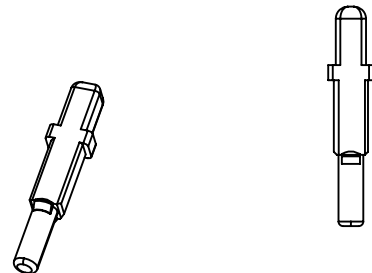
ITEM	MOLEX P/N	GM P/N	WIRE SIZE MM2	TYPE	PLATING	REEL WIND DIRECTION	COMMENTS
1	34736-0025		0.35	ISO	SILVER	LEFT	
2	34736-0026	12672850	0.35	ISO	SILVER	RIGHT	
3	34736-0027		0.5 / 0.75	ISO	SILVER	LEFT	
4	34736-0028	12672851	0.5 / 0.75	ISO	SILVER	RIGHT	



CAVITY PLUGS

ITEM	MFG	MFG P/N	GM P/N RD	SIZE	COLOR	MFG DRAWING	PROD SPEC	APP SPEC	COMMENTS
1	MOLEX	34586-0001	12674820	0.64	NATURAL	SD-34586-001	PS-34566-0000	AS-34566-001	
2	YAZAKI	7158-3114-90	12674821	2.8	BLUE	7158-3114-90	YPES-11-04-062	YPES-15-299	

ITEM 1



ITEM 2

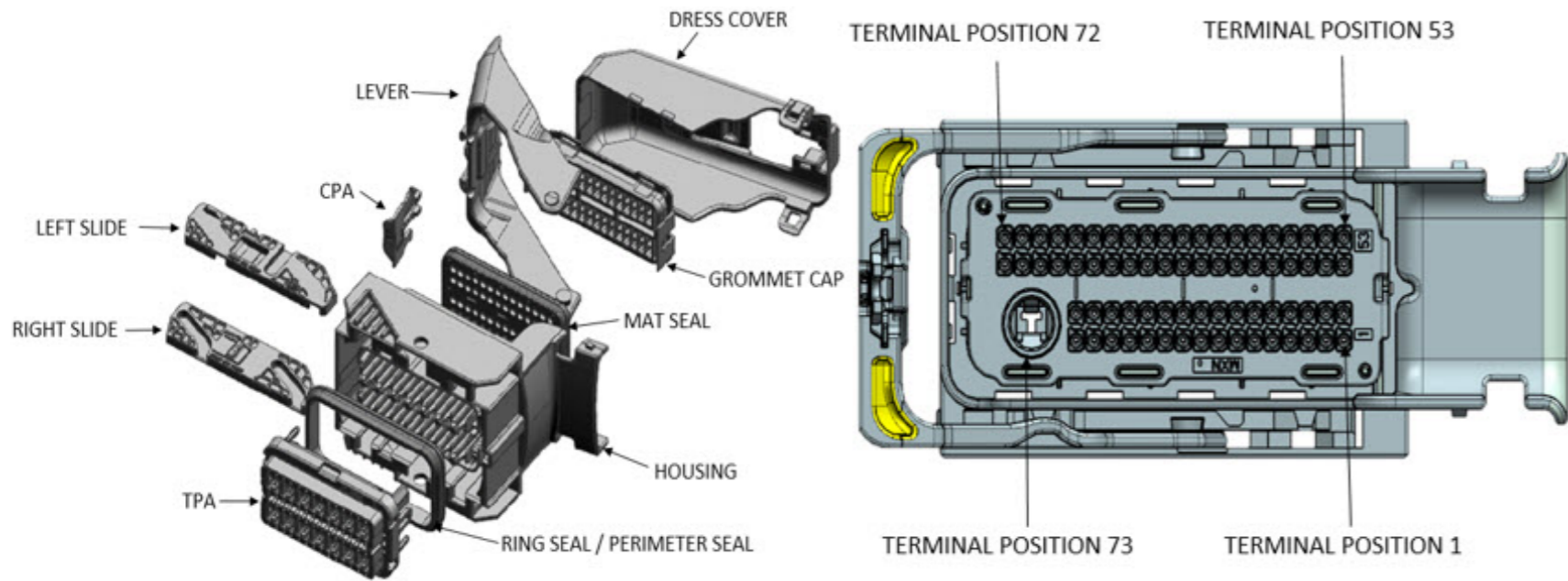


PAGE TITLE  
ADDITIONAL COMPONENTS REQUIRED

DRAWING NUMBER  
12672833

DWG STATUS		
ST	REV	PD1
R	001	

PAGE NUMBER  
22 OF 22



ABBREVIATION	DESCRIPTION	COLOR	MATERIAL
G-CAP-0-P	GROMMET CAP OPTION 0 PLUGGED	BLACK	SPS/PA, G.F 30%
G-CAP-0-O	GROMMET CAP OPTION 0 ALL OPEN	BLACK	SPS/PA, G.F 30%
G-CAP-9-P	GROMMET CAP OPTION 9 PLUGGED	BLACK	SPS/PA, G.F 30%
G-CAP-9-O	GROMMET CAP OPTION 9 ALL OPEN	BLACK	SPS/PA, G.F 30%
C-HSG-A0	CONNECTOR HOUSING KEY A - WDC OPT 0	BLACK	SPS/PA, G.F 30%
C-HSG-B0	CONNECTOR HOUSING KEY B - WDC OPT 0	BLACK	SPS/PA, G.F 30%
C-HSG-C0	CONNECTOR HOUSING KEY C - WDC OPT 0	BLACK	SPS/PA, G.F 30%
C-HSG-D0	CONNECTOR HOUSING KEY D - WDC OPT 0	BLACK	SPS/PA, G.F 30%
C-HSG-E0	CONNECTOR HOUSING KEY E - WDC OPT 0	BLACK	SPS/PA, G.F 30%
C-HSG-F0	CONNECTOR HOUSING KEY F - WDC OPT 0	BLACK	SPS/PA, G.F 30%
C-HSG-A9	CONNECTOR HOUSING KEY A - WDC OPT 9	BLACK	SPS/PA, G.F 30%
C-HSG-B9	CONNECTOR HOUSING KEY B - WDC OPT 9	BLACK	SPS/PA, G.F 30%
C-HSG-C9	CONNECTOR HOUSING KEY C - WDC OPT 9	BLACK	SPS/PA, G.F 30%
C-HSG-D9	CONNECTOR HOUSING KEY D - WDC OPT 9	BLACK	SPS/PA, G.F 30%
C-HSG-E9	CONNECTOR HOUSING KEY E - WDC OPT 9	BLACK	SPS/PA, G.F 30%
C-HSG-F9	CONNECTOR HOUSING KEY F - WDC OPT 9	BLACK	SPS/PA, G.F 30%
TPA-A0	TERMINAL POSITION ASSURANCE (TPA) OPTION 0	BLACK	SPS/PA, G.F 30%
TPA-B0	TERMINAL POSITION ASSURANCE (TPA) OPTION 0	STONE GRAY	SPS/PA, G.F 30%
TPA-C0	TERMINAL POSITION ASSURANCE (TPA) OPTION 0	BLUE	SPS/PA, G.F 30%
TPA-D0	TERMINAL POSITION ASSURANCE (TPA) OPTION 0	BROWN	SPS/PA, G.F 30%
TPA-E0	TERMINAL POSITION ASSURANCE (TPA) OPTION 0	GREEN	SPS/PA, G.F 30%
TPA-F0	TERMINAL POSITION ASSURANCE (TPA) OPTION 0	NATURAL	SPS/PA, G.F 30%
TPA-A0-1	TERMINAL POSITION ASSURANCE (TPA) OPTION 0	BLACK	SPS/PA, G.F 30%
TPA-B0-1	TERMINAL POSITION ASSURANCE (TPA) OPTION 0	STONE GRAY	SPS/PA, G.F 30%
TPA-C0-1	TERMINAL POSITION ASSURANCE (TPA) OPTION 0	BLUE	SPS/PA, G.F 30%
TPA-A9	TERMINAL POSITION ASSURANCE (TPA) OPTION 9	BLACK	SPS/PA, G.F 30%
TPA-B9	TERMINAL POSITION ASSURANCE (TPA) OPTION 9	STONE GRAY	SPS/PA, G.F 30%
TPA-C9	TERMINAL POSITION ASSURANCE (TPA) OPTION 9	BLUE	SPS/PA, G.F 30%
TPA-D9	TERMINAL POSITION ASSURANCE (TPA) OPTION 9	BROWN	SPS/PA, G.F 30%
TPA-E9	TERMINAL POSITION ASSURANCE (TPA) OPTION 9	GREEN	SPS/PA, G.F 30%
TPA-F9	TERMINAL POSITION ASSURANCE (TPA) OPTION 9	NATURAL	SPS/PA, G.F 30%
MAL	MATE ASSIST LEVER	BLACK	SPS/NYLON GF30
RS	SLIDE - RIGHT	BLACK	PBT W/PTFE, G.F. 30%
LS	SLIDE - LEFT	BLACK	PBT W/PTFE, G.F. 30%
CVRBLACK	DRESS COVER BLACK	BLACK	PBT, G.F. 30%
CVRGRAY	DRESS COVER GRAY	GRAY	PBT, G.F. 30%
CVRBLUE	DRESS COVER BLUE	BLUE	PBT, G.F. 30%
CVRBROWN	DRESS COVER BROWN	BROWN	PBT, G.F. 30%
CVRGREEN	DRESS COVER GREEN	GREEN	PBT, G.F. 30%
CVRNATURAL	DRESS COVER NATURAL	NATURAL	PBT, G.F. 30%
CVRYELLOW	DRESS COVER YELLOW	YELLOW	PBT, G.F. 30%
CPA	CONNECTOR POSITION ASSURANCE (CPA)	RED	PPE/PA 10% GF
MSEAL	MAT SEAL	RUST RED	INHERENTLY LUBRICATED SILICONE RUBBER
RSEAL	RING SEAL	RUST RED	INHERENTLY LUBRICATED SILICONE RUBBER

FOR ADDITIONAL INFORMATION SEE SD-34566-001

ASSEMBLY DESCRIPTION	ASSEMBLY PART NUMBER	CONNECTOR HOUSING	GROMMET CAP	TPA	RIGHT SLIDE	LEFT SLIDE	MATE ASSIST LEVER	CPA	MAT SEAL	RING SEAL	BLOCKED TERMINALS																STATUS	COMMENTS	INTEGRAL COMPONENTS SOLD SEPARATELY									
											CAVITY WITH A NUMBER INDICATES BLOCKED TERMINAL POSITION CAVITY WITHOUT A NUMBER INDICATES OPEN TERMINAL POSITION																											
											DRESS COVER																											
MX123 CONN ASSY 73 CKT BLK OPT0 KEY A/54	345660004	C-HSG-A0	G-CAP-0-P	TPA-A0	RS	LS	MAL	CPA	MSEAL	RSEAL	-	-	-	-	68	-	66	65	-	-	62	-	-	-	58	-	-	-	-	-								
											-	-	50	49	-	47	46	-	-	42	-	-	-	-	-	-	-	-	-	-	-	-	-	-	-	-	-	-
											-	-	-	-	-	-	-	28	-	-	-	24	23	-	21	20	-	-	17	-	-	-	-	-	-	-	-	-
											-	-	-	-	-	-	-	-	-	-	-	-	-	-	-	4	3	-	-	-	-	-	-	-	-	-	-	-
MX123 CONN ASSY 73 CKT BLK OPT0 KEY A/52	345660044	C-HSG-A0	G-CAP-0-P	TPA-A0	RS	LS	MAL	CPA	MSEAL	RSEAL	-	-	-	-	68	-	66	65	-	63	62	-	-	-	58	-	-	-	-	-								
											-	-	50	49	-	47	46	-	-	42	-	-	-	-	-	-	-	-	-	-	-	-	-	-	-	-		
											-	-	-	-	-	-	-	28	-	-	-	24	23	-	21	20	-	-	17	-	-	-	-	-	-	-	-	
											-	-	-	-	-	-	-	-	-	-	-	-	-	-	-	4	-	-	1	-	-	-	-	-	-	-	-	
MX123 CONN ASSY 73 CKT BLK OPT0 KEY A/53	345660064	C-HSG-A0	G-CAP-0-P	TPA-A0	RS	LS	MAL	CPA	MSEAL	RSEAL	-	-	-	-	68	-	66	65	-	-	62	-	-	-	58	-	-	-	-	-								
											-	-	50	49	-	47	46	-	-	42	-	-	-	-	-	-	-	-	-	-	-	-	-	33	-	-		
											-	-	-	-	-	-	-	28	-	-	-	24	23	-	21	20	-	-	17	-	-	-	-	-	-	-	-	
											-	-	-	-	-	-	-	-	-	-	-	-	-	-	-	4	3	-	-	-	-	-	-	-	-	-	-	

ASSEMBLY DESCRIPTION	ASSEMBLY PART NUMBER	CONNECTOR HOUSING	GROMMET CAP	TPA	RIGHT SLIDE	LEFT SLIDE	MATE ASSIST LEVER	CPA	MAT SEAL	RING SEAL	BLOCKED TERMINALS																		STATUS	COMMENTS	INTEGRAL COMPONENTS SOLD SEPARATELY				
											CAVITY WITH A NUMBER INDICATES BLOCKED TERMINAL POSITION CAVITY WITHOUT A NUMBER INDICATES OPEN TERMINAL POSITION																				DRESS COVER				
MX123 CONN ASSY 73 CKT BLK OPT0 KEY A/48	345660084	C-HSG-A0	G-CAP-0-P	TPA-A0	RS	LS	MAL	CPA	MSEAL	RSEAL	72	71	-	-	68	-	66	65	-	63	62	-	-	-	58	-	-	-	-	-					
											-	-	50	49	-	47	46	-	-	43	42	-	-	-	-	-	-	-	-	-	-	-	-	-	-
															32	-	-	-	28	-	-	-	24	23	-	21	20	-	18	17					
MX123 CONN ASSY 73 CKT GRY OPT0 KEY B/61	345660094	C-HSG-B0	G-CAP-0-P	TPA-B0	RS	LS	MAL	CPA	MSEAL	RSEAL	-	-	-	-	-	-	66	-	-	-	-	-	-	-	58	-	-	-	-	-					
											-	-	-	-	-	-	-	-	-	-	-	41	-	-	38	37	-	-	-	-	-	-	-	-	-
															-	-	-	-	-	-	-	-	-	-	-	20	19	18	17						
MX123 CONN ASSY 73 CKT BLK OPT0 KEY A/73	345660103	C-HSG-A0	G-CAP-0-P	TPA-A0	RS	LS	MAL	CPA	MSEAL	RSEAL	-	-	-	-	-	-	-	-	-	-	-	-	-	-	-	-	-	-	-						
											-	-	-	-	-	-	-	-	-	-	-	-	-	-	-	-	-	-	-	-	-	-	-	-	-
															-	-	-	-	-	-	-	-	-	-	-	-	-	-	-	-	-	-	-	-	-
MX123 CONN ASSY 73 CKT GRY OPT0 KEY B/58	345660104	C-HSG-B0	G-CAP-0-P	TPA-B0	RS	LS	MAL	CPA	MSEAL	RSEAL	-	-	-	-	-	-	66	-	-	-	-	-	-	-	58	-	-	-	-	-					
											52	51	-	-	-	-	-	45	-	-	-	41	-	-	38	37	-	-	-	-	-	-	-	-	-
															-	-	-	-	-	-	-	-	-	-	-	20	19	18	17						
MX123 CONN ASSY 73 CKT GRY OPT0 KEY B/46	345660114	C-HSG-B0	G-CAP-0-P	TPA-B0	RS	LS	MAL	CPA	MSEAL	RSEAL	-	-	-	-	68	67	66	65	-	-	62	-	60	59	-	-	-	-	54	53					
											-	-	-	-	48	47	46	45	44	-	42	41	40	39	-	-	-	-	35	34	-	-	-	-	-
															-	31	-	-	-	27	-	-	-	-	-	-	-	19	18	17					
MX123 CONN ASSY 73 CKT GRY OPT0 KEY B/26	345660124	C-HSG-B0	G-CAP-0-P	TPA-B0	RS	LS	MAL	CPA	MSEAL	RSEAL	-	71	70	69	68	67	66	65	64	63	-	-	-	-	58	57	56	-	54	53					
											-	51	50	49	-	-	-	45	44	43	42	41	-	39	38	37	36	35	34	-	-	-	-	-	-
															32	31	-	29	28	27	26	25	24	23	-	-	-	-	-	-	-	-	-	-	2
MX123 CONN ASSY 73 CKT GRY OPT0 KEY B/30	345660134	C-HSG-B0	G-CAP-0-P	TPA-B0	RS	LS	MAL	CPA	MSEAL	RSEAL	-	71	70	69	68	67	66	65	64	63	-	-	-	-	58	57	56	-	54	53					
											-	51	50	49	-	-	-	45	44	43	42	-	-	39	-	-	-	-	34	33	-	-	-	-	-
															32	31	-	29	28	27	26	25	24	23	-	-	-	-	-	-	17				
MX123 CONN ASSY 73 CKT GRY OPT9 KEY B/14	345660144	C-HSG-B9	G-CAP-9-P	TPA-B9	RS	LS	MAL	CPA	MSEAL	RSEAL	72	71	70	69	68	67	-	65	64	63	62	61	60	59	-	57	56	55	54	53					
											52	51	50	49	48	47	46	45	44	43	42	-	40	39	-	-	36	35	34	33	-	-	-	-	-
															32	31	30	29	28	27	26	25	24	23	22	21	-	-	-	-	-	-	-	-	-
MX123 CONN ASSY 73 CKT GRY OPT9 KEY B/62	345660154	C-HSG-B9	G-CAP-9-P	TPA-B9	RS	LS	MAL	CPA	MSEAL	RSEAL	-	-	-	-	-	-	-	-	-	-	-	-	-	-	58	-	-	-	-	-					
											-	-	-	-	-	-	-	-	-	-	-	-	41	-	-	38	37	-	-	-	-	-	-	-	-
															-	-	-	-	-	-	-	-	-	-	-	-	20	19	18	17					
MX123 CONN ASSY 73 CKT GRY OPT9 KEY B/34	345660174	C-HSG-B9	G-CAP-9-P	TPA-B9	RS	LS	MAL	CPA	MSEAL	RSEAL	-	-	-	69	68	-	-	65	64	63	62	61	-	59	58	-	56	55	54	-					
											-	-	-	49	48	-	-	45	44	43	42	41	40	-	38	-	36	-	34	-	-	-	-	-	-
															32	31	-	-	-	27	26	-	-	-	-	21	-	-	18	-	-	-	-	-	-
MX123 CONN ASSY 73 CKT GRY OPT9 KEY B/52	345660184	C-HSG-B9	G-CAP-9-P	TPA-B9	RS	LS	MAL	CPA	MSEAL	RSEAL	-	-	-	-	-	-	-	-	-	-	62	-	60	59	-	-	-	-	-						
											-	-	-	-	-	-	-	-	-	-	-	-	-	39	38	-	-	35	34	33	-	-	-	-	-
															-	31	-	-	-	27	-	-	-	23	22	-	20	19	18	17					
MX123 CONN ASSY 73 CKT BLU OPT0 KEY C/40	345660194	C-HSG-C0	G-CAP-0-P	TPA-C0	RS	LS	MAL	CPA	MSEAL	RSEAL	-	-	-	-	68	-	-	-	-	63	62	61	60	59	58	57	-	55	54	53					
											-	-	-	-	48	-	-	-	-	43	42	41	40	-	38	37	36	35	34	33	-	-	-	-	-
															32	-	-	29	-	27	-	-	-	-	-	-	-	19	18	17					



ASSEMBLY DESCRIPTION	ASSEMBLY PART NUMBER	CONNECTOR HOUSING	GROMMET CAP	TPA	RIGHT SLIDE	LEFT SLIDE	MATE ASSIST LEVER	CPA	MAT SEAL	RING SEAL	BLOCKED TERMINALS																STATUS	COMMENTS	INTEGRAL COMPONENTS SOLD SEPARATELY																		
											CAVITY WITH A NUMBER INDICATES BLOCKED TERMINAL POSITION																		DRESS COVER																		
											CAVITY WITHOUT A NUMBER INDICATES OPEN TERMINAL POSITION																																				
MX123 CONN ASSY 73 CKT GRY OPT9 KEY B/53	345660304	C-HSG-B9	G-CAP-9-P	TPA-B9	RS	LS	MAL	CPA	MSEAL	RSEAL	-	-	-	-	-	-	-	-	-	-	-	62	-	60	59	-	-	-	-	-	-	-	-	-	-												
											-	-	-	-	-	-	-	-	-	-	-	-	-	-	-	-	-	-	-	-	-	-	-	-	-	-	-	-	-	-	-	-	-	-	-		
											-	-	-	-	-	-	-	-	-	-	-	-	-	-	-	-	-	-	-	-	-	-	-	-	-	-	-	-	-	-	-	-	-	-	-		
MX123 CONN ASSY 73 CKT GRY OPT9 KEY B/61	345660314	C-HSG-B9	G-CAP-9-P	TPA-B9	RS	LS	MAL	CPA	MSEAL	RSEAL	-	-	-	-	-	-	-	-	-	-	-	-	-	-	-	58	-	-	-	-	-	-	-	-	-	-	-	-									
											-	-	-	-	-	-	-	-	-	-	-	-	-	-	-	-	-	-	-	-	-	-	-	-	-	-	-	-	-	-	-	-	-	-			
											-	-	-	-	-	-	-	-	-	-	-	-	-	-	-	-	-	-	-	-	-	-	-	-	-	-	-	-	-	-	-	-	-	-	-		
MX123 CONN ASSY 73 CKT GRY OPT9 KEY B/43	345660324	C-HSG-B9	G-CAP-9-P	TPA-B9	RS	LS	MAL	CPA	MSEAL	RSEAL	-	-	-	-	-	68	67	66	65	-	-	62	-	60	59	-	-	-	-	-	-	54	53														
											-	-	-	-	-	48	47	46	45	44	-	42	41	40	39	-	-	-	-	-	-	-	-	-	-	-	-	-	-	-	-	-	-	-			
											-	-	-	-	-	-	-	-	-	-	-	-	-	-	-	-	-	-	-	-	-	-	-	-	-	-	-	-	-	-	-	-	-	-	-		
MX123 CONN ASSY 73 CKT GRY OPT0 KEY B/50	345660334	C-HSG-B0	G-CAP-0-P	TPA-B0	RS	LS	MAL	CPA	MSEAL	RSEAL	-	-	-	-	-	-	-	-	-	-	-	-	-	-	-	-	-	-	-	-	-	-	-	-	-	-	-	-	-								
											-	-	-	-	-	-	-	-	-	-	-	-	-	-	-	-	-	-	-	-	-	-	-	-	-	-	-	-	-	-	-	-	-	-	-		
											-	-	-	-	-	-	-	-	-	-	-	-	-	-	-	-	-	-	-	-	-	-	-	-	-	-	-	-	-	-	-	-	-	-	-	-	
MX123 CONN ASSY 73 CKT GRY OPT0 KEY B/68	345660344	C-HSG-B0	G-CAP-0-P	TPA-B0	RS	LS	MAL	CPA	MSEAL	RSEAL	-	-	-	-	-	-	-	-	-	-	-	-	-	-	-	-	-	-	-	-	-	-	-	-	-	-	-	-	-	-	-						
											-	-	-	-	-	-	-	-	-	-	-	-	-	-	-	-	-	-	-	-	-	-	-	-	-	-	-	-	-	-	-	-	-	-	-	-	
											-	-	-	-	-	-	-	-	-	-	-	-	-	-	-	-	-	-	-	-	-	-	-	-	-	-	-	-	-	-	-	-	-	-	-	-	-
MX123 CONN ASSY 73 CKT GRY OPT0 KEY B/54	345660354	C-HSG-B0	G-CAP-0-P	TPA-B0	RS	LS	MAL	CPA	MSEAL	RSEAL	-	-	-	-	-	-	-	-	-	-	-	-	-	-	-	-	-	-	-	-	-	-	-	-	-	-	-	-	-	-	-						
											-	-	-	-	-	-	-	-	-	-	-	-	-	-	-	-	-	-	-	-	-	-	-	-	-	-	-	-	-	-	-	-	-	-	-	-	
											-	-	-	-	-	-	-	-	-	-	-	-	-	-	-	-	-	-	-	-	-	-	-	-	-	-	-	-	-	-	-	-	-	-	-	-	-
MX123 CONN ASSY 73 CKT GRY OPT0 KEY B/49	345660364	C-HSG-B0	G-CAP-0-P	TPA-B0	RS	LS	MAL	CPA	MSEAL	RSEAL	-	-	-	-	-	-	-	-	-	-	-	-	-	-	-	-	-	-	-	-	-	-	-	-	-	-	-	-	-	-	-						
											-	-	-	-	-	-	-	-	-	-	-	-	-	-	-	-	-	-	-	-	-	-	-	-	-	-	-	-	-	-	-	-	-	-	-	-	
											-	-	-	-	-	-	-	-	-	-	-	-	-	-	-	-	-	-	-	-	-	-	-	-	-	-	-	-	-	-	-	-	-	-	-	-	-
MX123 CONN ASSY 73 CKT BLK OPT0 KEY A/53	345660374	C-HSG-A0	G-CAP-0-P	TPA-A0	RS	LS	MAL	CPA	MSEAL	RSEAL	-	-	-	-	-	-	-	-	-	-	-	-	-	-	-	-	-	-	-	-	-	-	-	-	-	-	-	-	-	-	-						
											-	-	-	-	-	-	-	-	-	-	-	-	-	-	-	-	-	-	-	-	-	-	-	-	-	-	-	-	-	-	-	-	-	-	-	-	
											-	-	-	-	-	-	-	-	-	-	-	-	-	-	-	-	-	-	-	-	-	-	-	-	-	-	-	-	-	-	-	-	-	-	-	-	-
MX123 CONN ASSY 73 CKT GRY OPT0 KEY B/59	345660384	C-HSG-B0	G-CAP-0-P	TPA-B0	RS	LS	MAL	CPA	MSEAL	RSEAL	-	-	-	-	-	-	-	-	-	-	-	-	-	-	-	-	-	-	-	-	-	-	-	-	-	-	-	-	-	-	-						
											-	-	-	-	-	-	-	-	-	-	-	-	-	-	-	-	-	-	-	-	-	-	-	-	-	-	-	-	-	-	-	-	-	-	-	-	
											-	-	-	-	-	-	-	-	-	-	-	-	-	-	-	-	-	-	-	-	-	-	-	-	-	-	-	-	-	-	-	-	-	-	-	-	-
MX123 CONN ASSY 73 CKT GRY OPT9 KEY B/58	345660394	C-HSG-B9	G-CAP-9-P	TPA-B9	RS	LS	MAL	CPA	MSEAL	RSEAL	-	-	-	-	-	-	-	-	-	-	-	-	-	-	-	-	-	-	-	-	-	-	-	-	-	-	-	-	-	-	-						
											-	-	-	-	-	-	-	-	-	-	-	-	-	-	-	-	-	-	-	-	-	-	-	-	-	-	-	-	-	-	-	-	-	-	-	-	-
											-	-	-	-	-	-	-	-	-	-	-	-	-	-	-	-	-	-	-	-	-	-	-	-	-	-	-	-	-	-	-	-	-	-	-	-	-
MX123 CONN ASSY 73 CKT GRY OPT0 KEY B/48	345660404	C-HSG-B0	G-CAP-0-P	TPA-B0	RS	LS	MAL	CPA	MSEAL	RSEAL	-	-	-	-	-	-	-	-	-	-	-	-	-	-	-	-	-	-	-	-	-	-	-	-	-	-	-	-	-	-	-						
											-	-	-	-	-	-	-	-	-	-	-	-	-	-	-	-	-	-	-	-	-	-	-	-	-	-	-	-	-	-	-	-	-	-	-	-	
											-	-	-	-	-	-	-	-	-	-	-	-	-	-	-	-	-	-	-	-	-	-	-	-	-	-	-	-	-	-	-	-	-	-	-	-	-
MX123 CONN ASSY 73 CKT BLK OPT0 KEY A/56	345660484	C-HSG-A0	G-CAP-0-P	TPA-A0	RS	LS	MAL	CPA	MSEAL	RSEAL	-	-	-	-	-	68	-	66	65	-	-	62	-	-	-	58	-	-	-	-	-	-	-	-	-	-	-	-	-	-	-	-					
											-	-	50	49	-	47	46	-	-	42	-	-	-	-	-	-	-	-	-	-	-	-	-	-	-	-	-	-	-	-	-	-	-	-	-	-	
											-	-	-	-	-	-	-	-	-	-	-	-	-	-	-	-	-	-	-	-	-	-	-	-	-	-	-	-	-	-	-	-	-	-	-	-	-



ASSEMBLY DESCRIPTION	ASSEMBLY PART NUMBER	CONNECTOR HOUSING	GROMMET CAP	TPA	RIGHT SLIDE	LEFT SLIDE	MATE ASSIST LEVER	CPA	MAT SEAL	RING SEAL	BLOCKED TERMINALS																		STATUS	COMMENTS	INTEGRAL COMPONENTS SOLD SEPARATELY						
											CAVITY WITH A NUMBER INDICATES BLOCKED TERMINAL POSITION																				DRESS COVER						
											CAVITY WITHOUT A NUMBER INDICATES OPEN TERMINAL POSITION																										
MX123 CONN ASSY 73 CKT GRY OPT0 KEY B/46	345660514	C-HSG-B0	G-CAP-0-P	TPA-B0	RS	LS	MAL	CPA	MSEAL	RSEAL	-	-	-	-	-	-	-	-	-	-	-	-	-	62	-	60	59	-	-	-	-	-	54	53	SALEABLE		345650003
											-	-	-	-	-	-	-	-	-	-	-	-	42	41	-	39	38	-	-	35	34	33					
											-	-	-	-	-	-	-	-	-	-	-	-	27	-	-	-	23	22	-	20	19	18	17				
											-	-	-	-	-	-	-	-	-	-	-	-	15	-	-	12	-	-	-	7	-	-	4	3			
MX123 CONN ASSY 73 CKT BLK OPT0 KEY A/30	345660524	C-HSG-A0	G-CAP-0-P	TPA-A0	RS	LS	MAL	CPA	MSEAL	RSEAL	-	-	-	69	68	-	-	65	64	63	62	61	60	59	58	57	56	55	54	-	SALEABLE		345650003				
											-	-	-	49	48	-	-	45	44	43	42	41	40	-	38	-	36	-	34	-							
											-	-	-	-	32	31	-	-	-	-	-	25	24	23	22	21	20	19	18	-							
											-	-	-	-	16	15	14	-	-	-	-	9	-	-	6	5	4	-	2	-							
MX123 CONN ASSY 73 CKT BLK OPT9 KEY A/46	345660534	C-HSG-A9	G-CAP-9-P	TPA-A9	RS	LS	MAL	CPA	MSEAL	RSEAL	-	-	-	-	-	-	65	-	63	-	61	-	59	58	57	-	-	-	-	53	SALEABLE		345650003				
											-	-	-	-	48	-	-	-	43	42	41	-	-	38	37	-	-	34	-								
											-	-	-	-	32	31	30	29	28	-	-	-	-	23	22	-	-	19	-	17							
											-	-	-	-	15	-	-	-	11	-	-	-	7	-	-	-	-	2	-								
MX123 CONN ASSY 73 CKT GRY OPT9 KEY B/59	345660544	C-HSG-B9	G-CAP-9-P	TPA-B9	RS	LS	MAL	CPA	MSEAL	RSEAL	-	-	-	-	-	-	66	-	-	-	62	-	-	-	58	-	-	-	-	-	SALEABLE		345650003				
											-	-	-	-	-	-	-	-	-	-	-	-	41	-	-	38	37	-	-	-				-			
											-	-	-	-	-	-	-	-	-	-	-	-	-	-	-	-	20	19	18	17							
											-	-	-	-	-	-	-	-	-	-	-	-	8	-	-	5	4	-	-	1							
MX123 CONN ASSY 73 CKT NAT OPT0 KEY F/73	345660603	C-HSG-F0	G-CAP-0-P	TPA-F0	RS	LS	MAL	CPA	MSEAL	RSEAL	-	-	-	-	-	-	-	-	-	-	-	-	-	-	-	-	-	-	-	SALEABLE		345650003					
											-	-	-	-	-	-	-	-	-	-	-	-	-	-	-	-	-	-	-				-				
											-	-	-	-	-	-	-	-	-	-	-	-	-	-	-	-	-	-	-				-				
											-	-	-	-	-	-	-	-	-	-	-	-	-	-	-	-	-	-	-				-				
MX123 CONN ASSY 73 CKT BLK OPT0 KEY A/31	345661013	C-HSG-A0	G-CAP-0-P	TPA-A0	RS	LS	MAL	CPA	MSEAL	RSEAL	72	-	70	-	-	67	66	-	-	-	62	-	60	-	-	-	-	55	54	53	SALEABLE		345650003				
											-	51	-	-	48	-	46	45	44	43	42	-	40	39	-	-	-	35	-	-							
											-	-	-	-	-	-	-	-	-	26	25	-	-	22	21	-	-	-	-	-							
											-	-	-	-	-	-	-	-	-	-	-	8	7	6	5	4	-	-	-	-							
MX123 CONN ASSY 73 CKT BLK OPT0 KEY A/34	345661023	C-HSG-A0	G-CAP-0-P	TPA-A0	RS	LS	MAL	CPA	MSEAL	RSEAL	72	71	-	69	68	-	-	-	64	63	62	61	60	59	-	-	56	-	-	53	SALEABLE		345650003				
											52	51	-	-	48	-	46	45	-	-	-	-	40	-	38	-	36	-	34	33							
											-	-	-	-	-	31	-	29	28	-	26	-	-	23	22	-	-	-	-	-							
											-	-	-	-	-	-	14	-	12	11	-	-	-	7	-	-	4	-	-	-							
MX123 CONN ASSY 73 CKT BLK OPT0 KEY A/32	345661033	C-HSG-A0	G-CAP-0-P	TPA-A0	RS	LS	MAL	CPA	MSEAL	RSEAL	-	71	-	69	68	-	-	-	64	63	62	61	60	59	-	-	56	-	-	53	SALEABLE		345650003				
											52	51	-	-	48	-	46	45	-	-	-	-	40	-	38	-	36	-	34	33							
											-	-	-	-	-	31	-	29	28	-	-	-	-	23	22	-	-	-	-	-							
											-	-	-	-	-	-	14	-	12	11	-	-	-	7	-	-	4	-	-	-							
MX123 CONN ASSY 73 CKT GRY OPT0 KEY B/30	345661043	C-HSG-B0	G-CAP-0-P	TPA-B0	RS	LS	MAL	CPA	MSEAL	RSEAL	72	-	-	69	-	67	-	-	64	63	62	61	60	-	-	-	56	55	-	-	SALEABLE		345650003				
											52	-	-	-	-	47	-	-	44	-	42	-	-	-	-	-	-	34	-								
											-	-	-	-	-	-	-	29	28	27	26	25	-	-	-	21	-	19	18	17							
											-	-	-	-	-	-	15	14	-	-	-	-	-	-	-	-	-	3	2	1							
MX123 CONN ASSY 73 CKT GRY OPT0 KEY B/50	345661063	C-HSG-B0	G-CAP-0-P	TPA-B0	RS	LS	MAL	CPA	MSEAL	RSEAL	72	71	70	69	68	67	66	-	64	63	62	61	-	-	58	-	-	-	54	-	SALEABLE		345650003				
											52	51	50	-	-	-	46	45	-	43	42	41	-	-	38	-	-	-	34	-							
											-	-	-	-	-	32	31	30	-	-	27	26	25	-	-	22	-	20	19	18				17			
											-	-	-	-	-	16	15	14	13	12	11	10	9	8	7	6	5	4	3	-				1			
MX123 CONN ASSY 73 CKT BLK OPT0 KEY A/28	345661073	C-HSG-A0	G-CAP-0-P	TPA-A0	RS	LS	MAL	CPA	MSEAL	RSEAL	-	-	-	-	-	-	-	-	-	-	62	-	60	-	-	-	-	55	-	53	SALEABLE		345650003				
											52	51	-	-	-	-	46	45	44	43	-	-	40	39	-	-	-	35	-	-							
											-	-	-	-	-	-	-	-	-	-	-	25	-	-	22	21	-	-	-	17							
											-	-	-	-	-	-	15	14	-	-	-	-	8	7	6	5	4	3	2	1							
MX123 CONN ASSY 73 CKT GRY OPT0 KEY B/28	345661083	C-HSG-B0	G-CAP-0-P	TPA-B0	RS	LS	MAL	CPA	MSEAL	RSEAL	72	71	70	69	-	-	-	-	-	63	62	61	60	-	-	-	56	-	-	-	SALEABLE		345650003				
											52	-	-	-	-	47	-	-	44	-	-	-	-	-	-	-	36	-	34	-							
											-	-	-	-	-	-	-	29	28	27	-	25	-	-	-	21	-	19	18	17							
											-	-	-	-	-	-	15	14	-	12	11	-	-	-	-	-	-	-	-	1							

ASSEMBLY DESCRIPTION	ASSEMBLY PART NUMBER	CONNECTOR HOUSING	GROMMET CAP	TPA	RIGHT SLIDE	LEFT SLIDE	MATE ASSIST LEVER	CPA	MAT SEAL	RING SEAL	BLOCKED TERMINALS																			STATUS	COMMENTS	INTEGRAL COMPONENTS SOLD SEPARATELY								
											CAVITY WITH A NUMBER INDICATES BLOCKED TERMINAL POSITION																					DRESS COVER								
											CAVITY WITHOUT A NUMBER INDICATES OPEN TERMINAL POSITION																													
MX123 CONN ASSY 73 CKT BLK OPT0 KEY A/40	345661093	C-HSG-A0	G-CAP-0-P	TPA-A0	RS	LS	MAL	CPA	MSEAL	RSEAL	72	71	-	69	-	-	-	65	64	63	62	61	60	59	-	57	-	-	-	53	SALEABLE		345650003							
											52	51	50	-	48	-	46	45	-	-	-	-	40	-	38	-	-	35	-	33										
																						32	-	-	29	28	-	26	-	-				23	22	-	-	-	-	17
																						16	15	14	-	12	11	10	9	8				7	-	-	-	-	2	-
MX123 CONN ASSY 73 CKT BLK OPT0 KEY A/39	345661133	C-HSG-A0	G-CAP-0-P	TPA-A0	RS	LS	MAL	CPA	MSEAL	RSEAL	72	71	-	69	-	-	-	65	64	63	62	-	60	59	-	-	56	-	-	53	SALEABLE		345650003							
											52	51	50	-	48	-	46	-	-	-	-	40	-	38	-	36	35	-	33											
																						-	31	-	29	28	-	26	-	-				23	22	-	-	-	-	17
																						16	15	14	-	12	-	10	9	8				7	-	-	4	-	2	-
MX123 CONN ASSY 73 CKT BLK OPT0 KEY A/31	345661143	C-HSG-A0	G-CAP-0-P	TPA-A0	RS	LS	MAL	CPA	MSEAL	RSEAL	72	71	70	69	-	67	66	-	64	-	62	-	60	-	-	57	-	55	54	-	SALEABLE		345650003							
											-	51	-	49	48	-	46	45	44	43	42	-	40	39	-	-	-	-	-	-										
																						-	-	-	-	-	-	26	-	-				-	-	-	-	-	-	-
																						-	-	-	-	-	-	-	-	8				7	6	5	4	3	2	-
MX123 CONN ASSY 73 CKT BLK OPT0 KEY A/42	345661153	C-HSG-A0	G-CAP-0-P	TPA-A0	RS	LS	MAL	CPA	MSEAL	RSEAL	72	71	-	69	68	-	-	-	64	63	62	61	60	59	-	-	56	-	54	53	SALEABLE		345650003							
											52	51	50	-	48	-	46	45	-	-	-	-	40	-	38	-	36	35	34	33										
																						-	31	-	29	28	-	26	-	-				22	-	-	-	-	-	17
																						16	15	14	-	12	11	10	9	-				7	-	-	4	-	2	-
MX123 CONN ASSY 73 CKT BLK OPT0 KEY A/27	345661173	C-HSG-A0	G-CAP-0-P	TPA-A0	RS	LS	MAL	CPA	MSEAL	RSEAL	-	-	70	-	-	67	66	-	-	-	-	-	-	-	-	57	-	55	-	53	SALEABLE		345650003							
											-	51	-	-	-	-	46	-	44	43	-	-	40	39	-	-	-	35	-	-										
																						-	-	-	-	-	-	25	-	-				22	21	-	-	-	-	-
																						-	15	14	-	-	-	-	-	8				7	6	5	4	3	2	1
MX123 CONN ASSY 73 CKT GRY OPT0 KEY B/48	345661183	C-HSG-B0	G-CAP-0-P	TPA-B0	RS	LS	MAL	CPA	MSEAL	RSEAL	72	71	70	69	68	67	-	-	-	63	-	61	60	-	58	-	56	-	54	-	SALEABLE		345650003							
											52	51	50	-	-	-	46	45	-	43	-	41	40	-	38	-	36	-	34	-										
																						32	31	30	-	-	27	26	25	24				-	22	-	20	19	18	-
																						16	15	14	13	-	11	10	-	8				-	6	5	4	3	2	1
MX123 CONN ASSY 73 CKT BLK OPT0 KEY A/32	345661193	C-HSG-A0	G-CAP-0-P	TPA-A0	RS	LS	MAL	CPA	MSEAL	RSEAL	-	-	70	-	-	-	-	65	-	-	-	61	-	-	58	57	56	55	-	-	SALEABLE		345650003							
											-	51	50	-	-	47	-	45	-	-	-	41	40	-	38	37	36	35	-	-										
																						-	31	30	-	28	-	26	25	24				-	22	21	20	19	18	-
																						16	15	-	-	-	-	10	-	-				-	-	-	-	-	-	-
MX123 CONN ASSY 73 CKT BLK OPT0 KEY A/36	345661213	C-HSG-A0	G-CAP-0-P	TPA-A0	RS	LS	MAL	CPA	MSEAL	RSEAL	-	-	70	-	-	-	-	65	-	-	-	61	60	-	58	57	56	55	-	-	SALEABLE		345650003							
											-	51	50	49	-	47	-	45	-	-	-	41	40	-	38	37	36	35	34	-										
																						-	31	30	-	28	-	26	25	-				22	21	20	19	18	-	
																						16	15	-	-	-	-	10	-	-				7	6	-	-	-	-	-
MX123 CONN ASSY 73 CKT GRY OPT0 KEY B/48	345661223	C-HSG-B0	G-CAP-0-P	TPA-B0	RS	LS	MAL	CPA	MSEAL	RSEAL	72	71	70	69	68	-	-	-	64	-	-	61	60	-	58	-	56	-	54	-	SALEABLE		345650003							
											52	51	50	49	-	47	46	45	44	-	41	40	-	38	-	36	-	34	-											
																						32	31	30	-	28	-	25	24	-				22	-	20	19	18	-	
																						16	15	14	13	-	11	10	-	8				-	6	5	4	3	2	1
MX123 CONN ASSY 73 CKT GRY OPT0 KEY B/52	345661233	C-HSG-B0	G-CAP-0-P	TPA-B0	RS	LS	MAL	CPA	MSEAL	RSEAL	72	71	70	69	68	67	66	-	64	63	-	61	60	-	58	-	56	-	54	-	SALEABLE		345650003							
											52	51	50	49	-	47	-	45	44	43	-	41	40	-	38	-	36	-	34	-										
																						32	31	30	-	28	27	-	25	24				-	22	-	20	19	18	-
																						16	15	14	13	-	11	10	-	8				-	6	5	4	3	2	1
MX123 CONN ASSY 73 CKT GRY OPT0 KEY B/51	345661243	C-HSG-B0	G-CAP-0-P	TPA-B0	RS	LS	MAL	CPA	MSEAL	RSEAL	72	71	70	69	68	67	66	65	64	63	62	61	60	-	58	-	56	-	54	-	SALEABLE		345650003							
											52	51	-	49	-	47	-	45	44	43	42	41	40	-	38	-	36	-	34	-										
																						32	31	30	-	28	27	26	25	24				-	22	-	20	19	18	-
																						16	-	14	13	-	11	10	9	8				-	-	-	-	-	2	1
MX123 CONN ASSY 73 CKT GRY OPT9 KEY B/55	345661253	C-HSG-B9	G-CAP-9-P	TPA-B9	RS	LS	MAL	CPA	MSEAL	RSEAL	72	71	70	69	68	67	66	-	64	63	62	61	-	-	58	-	56	-	54	-	SALEABLE		345650003							
											52	51	50	-	-	47	-	45	44	43	42	41	-	-	38	-	36	-	34	-										
																						32	31	30	29	28	27	26	25	-				-	22	-	20	19	18	17
																						16	15	14	13	12	11	10	9	8				7	6	5	4	3	-	1



ASSEMBLY DESCRIPTION	ASSEMBLY PART NUMBER	CONNECTOR HOUSING	GROMMET CAP	TPA	RIGHT SLIDE	LEFT SLIDE	MATE ASSIST LEVER	CPA	MAT SEAL	RING SEAL	BLOCKED TERMINALS																		STATUS	COMMENTS	INTEGRAL COMPONENTS SOLD SEPARATELY				
											CAVITY WITH A NUMBER INDICATES BLOCKED TERMINAL POSITION CAVITY WITHOUT A NUMBER INDICATES OPEN TERMINAL POSITION																				DRESS COVER				
MX123 CONN ASSY 73 CKT BLK OPT9 KEY A/32	345661263	C-HSG-A9	G-CAP-9-P	TPA-A9	RS	LS	MAL	CPA	MSEAL	RSEAL	-	-	70	-	-	-	-	65	-	-	-	61	60	-	58	57	-	55	54	-	SALEABLE		345650003		
											52	51	-	49	-	47	-	45	-	-	-	41	40	-	38	37	-	-	34	-					
											-																								
MX123 CONN ASSY 73 CKT BLK OPT0 KEY A/33	345661273	C-HSG-A0	G-CAP-0-P	TPA-A0	RS	LS	MAL	CPA	MSEAL	RSEAL	72	71	-	-	-	67	66	-	-	-	62	-	60	-	-	-	-	55	54	53	SALEABLE		345650003		
											-	51	-	-	-	-	46	45	44	43	42	-	40	39	-	-	-	-	35	-				-	
											-																								
MX123 CONN ASSY 73 CKT BLK OPT0 KEY A/28	345661283	C-HSG-A0	G-CAP-0-P	TPA-A0	RS	LS	MAL	CPA	MSEAL	RSEAL	-	-	-	-	-	67	-	-	-	-	62	-	60	-	-	-	-	55	-	53	SALEABLE		345650003		
											-	51	-	-	-	-	46	45	44	43	-	-	40	39	-	-	-	-	35	-				-	
											-																								
MX123 CONN ASSY 73 CKT BLK OPT0 KEY A/38	345661293	C-HSG-A0	G-CAP-0-P	TPA-A0	RS	LS	MAL	CPA	MSEAL	RSEAL	72	71	70	69	-	67	66	-	64	-	62	-	60	-	-	57	-	55	54	53	SALEABLE		345650003		
											-	51	-	49	48	-	46	45	44	43	42	-	40	39	-	-	-	-	35	-				-	
											-																								
MX123 CONN ASSY 73 CKT BLK OPT9 KEY A/73	345661303	C-HSG-A9	G-CAP-9-P	TPA-A9	RS	LS	MAL	CPA	MSEAL	RSEAL	-	-	-	-	-	-	-	-	-	-	-	-	-	-	-	-	-	-	-	SALEABLE		345650003			
											-																								
											-																								
MX123 CONN ASSY 73 CKT BLK OPT0 KEY A/4	345661323	C-HSG-A0	G-CAP-0-P	TPA-A0	RS	LS	MAL	CPA	MSEAL	RSEAL	-	-	-	-	-	-	-	-	-	-	-	61	-	-	-	-	-	-	-	SALEABLE		345650003			
											-	-	-	-	-	-	-	-	-	-	-	-	-	-	-	-	-	-	-				-	-	-
											-																								
MX123 CONN ASSY 73 CKT BLK OPT0 KEY A/36	345661333	C-HSG-A0	G-CAP-0-P	TPA-A0	RS	LS	MAL	CPA	MSEAL	RSEAL	72	71	-	-	-	67	66	-	-	63	62	61	60	-	-	57	-	55	54	53	SALEABLE		345650003		
											-	51	-	-	48	-	46	45	44	43	42	-	40	39	-	-	-	-	35	-				33	
											-																								
MX123 CONN ASSY 73 CKT BLK OPT0 KEY A/31	345661343	C-HSG-A0	G-CAP-0-P	TPA-A0	RS	LS	MAL	CPA	MSEAL	RSEAL	-	-	70	-	68	-	66	-	-	-	62	61	60	-	-	-	-	55	54	53	SALEABLE		345650003		
											52	51	-	-	-	-	46	45	44	43	42	-	40	39	-	-	-	-	35	-				33	
											-																								
MX123 CONN ASSY 73 CKT BLK OPT0 KEY A/38	345661363	C-HSG-A0	G-CAP-0-P	TPA-A0	RS	LS	MAL	CPA	MSEAL	RSEAL	-	-	70	-	-	-	-	65	-	-	-	61	60	-	58	57	56	55	54	-	SALEABLE		345650003		
											52	51	50	49	-	47	-	45	-	-	-	41	40	-	38	37	36	35	34	-				-	
											-																								
MX123 CONN ASSY 73 CKT GRY OPT0 KEY B/51	345661373	C-HSG-B0	G-CAP-0-P	TPA-B0	RS	LS	MAL	CPA	MSEAL	RSEAL	72	71	70	69	68	67	-	-	64	63	-	61	60	-	58	-	56	-	54	-	SALEABLE		345650003		
											52	51	50	49	-	47	-	45	44	43	-	41	40	-	38	-	36	-	34	-				-	
											-																								
MX123 CONN ASSY 73 CKT GRY OPT0 KEY B/51	345661383	C-HSG-B0	G-CAP-0-P	TPA-B0	RS	LS	MAL	CPA	MSEAL	RSEAL	72	71	70	69	68	67	66	-	64	63	62	61	60	-	-	-	56	-	54	-	SALEABLE		345650003		
											52	51	50	-	-	-	-	45	44	43	42	41	40	-	-	-	-	36	-	34				-	
											-																								
MX123 CONN ASSY 73 CKT BLK OPT0 KEY A/41	345661393	C-HSG-A0	G-CAP-0-P	TPA-A0	RS	LS	MAL	CPA	MSEAL	RSEAL	72	71	-	69	68	-	-	65	64	63	62	-	60	59	-	-	56	-	-	53	SALEABLE		345650003		
											52	51	50	49	48	-	46	-	-	-	-	40	-	38	-	36	35	-	33	-				-	
											-																								

ASSEMBLY DESCRIPTION	ASSEMBLY PART NUMBER	CONNECTOR HOUSING	GROMMET CAP	TPA	RIGHT SLIDE	LEFT SLIDE	MATE ASSIST LEVER	CPA	MAT SEAL	RING SEAL	BLOCKED TERMINALS																STATUS	COMMENTS	INTEGRAL COMPONENTS SOLD SEPARATELY		
											CAVITY WITH A NUMBER INDICATES BLOCKED TERMINAL POSITION CAVITY WITHOUT A NUMBER INDICATES OPEN TERMINAL POSITION																		DRESS COVER		
MX123 CONN ASSY 73 CKT GRY OPT9 KEY B/73	345661403	C-HSG-B9	G-CAP-9-P	TPA-B9	RS	LS	MAL	CPA	MSEAL	RSEAL	-	-	-	-	-	-	-	-	-	-	-	-	-	-	-	-	-	SALEABLE		345650003	
MX123 CONN ASSY 73 CKT GRY OPT0 KEY B/25	345661423	C-HSG-B0	G-CAP-0-P	TPA-B0	RS	LS	MAL	CPA	MSEAL	RSEAL	72	71	70	69	-	-	-	-	64	63	62	-	-	-	-	-	-	56	55	-	-
											52	-	-	-	-	-	-	44	-	-	-	-	-	-	-	-	36	-	-	-	
											-	-	-	-	-	-	-	29	28	27	-	25	-	-	-	-	-	19	18	17	
											-	-	-	-	-	-	-	12	11	-	-	-	-	-	-	-	3	2	1		
MX123 CONN ASSY 73 CKT GRY OPT0 KEY B/52	345661433	C-HSG-B0	G-CAP-0-P	TPA-B0	RS	LS	MAL	CPA	MSEAL	RSEAL	72	71	70	69	68	67	-	65	-	63	62	61	60	-	58	-	56	-	54	-	
											52	51	50	-	-	47	-	45	44	43	42	41	40	-	38	-	36	-	34	-	
											-	-	-	-	-	31	30	-	28	27	26	25	24	-	22	-	20	19	-	-	
											-	-	-	-	-	16	15	14	13	-	11	10	9	8	-	6	5	4	3	2	1
MX123 CONN ASSY 73 CKT GRY OPT0 KEY B/51	345661443	C-HSG-B0	G-CAP-0-P	TPA-B0	RS	LS	MAL	CPA	MSEAL	RSEAL	72	71	70	-	-	67	-	65	64	63	62	61	60	-	58	-	56	-	54	-	
											52	51	50	-	-	47	-	45	44	43	42	41	40	-	38	-	36	-	34	-	
											-	-	-	-	-	32	31	30	-	28	27	26	25	24	-	22	-	20	19	18	-
											-	-	-	-	-	16	15	14	13	-	-	-	9	8	-	6	5	4	3	2	1
MX123 CONN ASSY 73 CKT GRY OPT0 KEY B/47	345661453	C-HSG-B0	G-CAP-0-P	TPA-B0	RS	LS	MAL	CPA	MSEAL	RSEAL	72	71	70	69	68	67	-	-	-	63	-	61	60	-	58	-	56	-	54	-	
											52	51	50	-	-	-	46	45	-	43	-	41	40	-	38	-	36	-	34	-	
											-	-	-	-	-	32	31	30	-	-	27	-	25	24	-	22	-	20	19	18	-
											-	-	-	-	-	16	15	14	13	-	11	10	-	8	-	6	5	4	3	2	1
MX123 CONN ASSY 73 CKT BLK OPT0 KEY A/31	345661463	C-HSG-A0	G-CAP-0-P	TPA-A0	RS	LS	MAL	CPA	MSEAL	RSEAL	72	71	70	-	-	67	66	-	-	-	-	-	-	-	-	57	-	55	54	53	
											-	51	-	-	-	-	46	-	44	43	42	-	40	39	-	-	-	35	-	-	
											-	-	-	-	-	-	-	-	-	26	25	-	-	22	21	-	-	-	-	-	
											-	-	-	-	-	15	14	-	-	-	-	-	-	8	7	6	5	4	3	2	-
MX123 CONN ASSY 73 CKT BLK OPT0 KEY A/32	345661473	C-HSG-A0	G-CAP-0-P	TPA-A0	RS	LS	MAL	CPA	MSEAL	RSEAL	-	-	70	-	-	-	-	65	-	-	-	61	60	-	58	57	56	55	-	-	
											-	51	50	-	-	47	-	45	-	-	-	41	40	-	38	37	36	35	-	-	
											-	-	-	-	-	31	30	-	28	-	26	25	-	-	22	21	20	19	18	-	
											-	-	-	-	-	16	15	-	-	-	10	-	-	-	-	-	-	-	-	-	
MX123 CONN ASSY 73 CKT BLK OPT0 KEY A/33	345661483	C-HSG-A0	G-CAP-0-P	TPA-A0	RS	LS	MAL	CPA	MSEAL	RSEAL	-	-	70	-	-	67	66	-	-	-	62	-	60	-	-	57	-	55	54	53	
											-	51	-	-	48	-	46	45	44	43	42	-	40	39	-	-	-	35	-	-	
											-	-	-	-	-	-	-	-	-	26	25	-	-	22	21	-	-	-	-	-	
											-	-	-	-	-	15	14	-	-	-	-	-	8	7	6	5	4	3	2	-	
MX123 CONN ASSY 73 CKT GRY OPT0 KEY B/49	345661493	C-HSG-B0	G-CAP-0-P	TPA-B0	RS	LS	MAL	CPA	MSEAL	RSEAL	72	71	70	69	-	67	66	65	64	63	62	61	60	-	-	-	56	-	54	-	
											52	51	50	-	-	47	-	45	44	43	42	41	40	-	-	-	36	-	34	-	
											-	-	-	-	-	32	31	30	-	28	27	26	25	24	-	-	-	20	19	-	-
											-	-	-	-	-	16	15	14	13	-	-	-	9	8	-	6	5	4	3	2	1
MX123 CONN ASSY 73 CKT BLU OPT9 KEY C/73	345661503	C-HSG-C9	G-CAP-9-P	TPA-C9	RS	LS	MAL	CPA	MSEAL	RSEAL	-	-	-	-	-	-	-	-	-	-	-	-	-	-	-	-	-	-	-	-	
											-	-	-	-	-	-	-	-	-	-	-	-	-	-	-	-	-	-	-	-	
											-	-	-	-	-	-	-	-	-	-	-	-	-	-	-	-	-	-	-	-	
MX123 CONN ASSY 73 CKT GRY OPT0 KEY B/55	345661513	C-HSG-B0	G-CAP-0-P	TPA-B0	RS	LS	MAL	CPA	MSEAL	RSEAL	72	71	70	69	68	67	66	-	64	63	62	61	60	-	58	-	56	-	54	-	
											52	51	50	-	-	47	-	45	44	43	42	41	40	-	38	-	36	-	34	-	
											-	-	-	-	-	32	31	30	-	28	27	26	25	24	-	22	-	20	19	18	-
											-	-	-	-	-	16	15	14	13	-	11	10	9	8	-	6	5	4	3	2	1
MX123 CONN ASSY 73 CKT BLK OPT0 KEY A/34	345661523	C-HSG-A0	G-CAP-0-P	TPA-A0	RS	LS	MAL	CPA	MSEAL	RSEAL	72	71	-	-	-	67	66	-	-	63	62	61	60	-	-	57	-	55	-	53	
											-	51	-	-	48	-	46	45	44	43	-	-	40	39	-	-	-	35	-	33	
											-	-	-	-	-	-	-	-	-	-	25	24	-	22	21	-	-	-	-	-	
											-	-	-	-	-	15	14	-	-	-	-	-	-	7	6	5	4	3	2	-	

ASSEMBLY DESCRIPTION	ASSEMBLY PART NUMBER	CONNECTOR HOUSING	GROMMET CAP	TPA	RIGHT SLIDE	LEFT SLIDE	MATE ASSIST LEVER	CPA	MAT SEAL	RING SEAL	BLOCKED TERMINALS																				STATUS	COMMENTS	INTEGRAL COMPONENTS SOLD SEPARATELY			
											CAVITY WITH A NUMBER INDICATES BLOCKED TERMINAL POSITION																						DRESS COVER			
											CAVITY WITHOUT A NUMBER INDICATES OPEN TERMINAL POSITION																									
MX123 CONN ASSY 73 CKT BLK OPT0 KEY A/28	345661533	C-HSG-A0	G-CAP-0-P	TPA-A0	RS	LS	MAL	CPA	MSEAL	RSEAL	-	-	-	-	-	67	66	-	-	-	-	62	-	60	-	-	-	-	-	55	54	53	SALEABLE		345650003	
											-	-	-	-	-	48	-	46	45	44	43	42	-	40	39	-	-	-	-	-	35	-				-
											-	-	-	-	-	-	-	-	-	-	-	26	25	-	-	22	21	-	-	-	-	-				-
MX123 CONN ASSY 73 CKT GRY OPT0 KEY B/53	345661543	C-HSG-B0	G-CAP-0-P	TPA-B0	RS	LS	MAL	CPA	MSEAL	RSEAL	72	71	70	-	-	67	-	65	64	63	62	61	60	-	58	-	56	-	54	-	SALEABLE		345650003			
											52	51	50	-	-	47	-	45	44	43	42	41	40	-	38	-	36	-	34	-						
											-	-	-	-	-	32	31	30	-	28	27	26	25	24	-	22	-	20	19	18				17		
MX123 CONN ASSY 73 CKT BLK OPT0 KEY A/73	345661553	C-HSG-A0	G-CAP-0-P	TPA-A0	RS	LS	MAL	CPA	MSEAL	RSEAL	72	71	70	69	68	67	66	65	64	63	62	61	60	59	58	57	56	55	54	53	SALEABLE		345650003			
											52	51	50	49	48	47	46	45	44	43	42	41	40	39	38	37	36	35	34	33						
											-	-	-	-	32	31	30	29	28	27	26	25	24	23	22	21	20	19	18	17						
MX123 CONN ASSY 73 CKT BLK OPT9 KEY A/73	345661563	C-HSG-A9	G-CAP-9-P	TPA-A9	RS	LS	MAL	CPA	MSEAL	RSEAL	72	71	70	69	68	67	66	65	64	63	62	61	60	59	58	57	56	55	54	53	SALEABLE		345650003			
											52	51	50	49	48	47	46	45	44	43	42	41	40	39	38	37	36	35	34	33						
											-	-	-	-	32	31	30	29	28	27	26	25	24	23	22	21	20	19	18	17						
MX123 CONN ASSY 73 CKT BLK OPT0 KEY A/35	345661583	C-HSG-A0	G-CAP-0-P	TPA-A0	RS	LS	MAL	CPA	MSEAL	RSEAL	72	71	-	69	68	-	-	-	64	63	62	-	60	59	-	-	56	-	-	53	SALEABLE		345650003			
											52	51	50	-	48	-	46	-	-	-	-	-	40	-	38	-	36	35	-	33						
											-	-	-	-	-	31	-	29	28	-	26	-	-	23	22	-	-	-	-	-						
MX123 CONN ASSY 73 CKT GRY OPT0 KEY B/30	345661593	C-HSG-B0	G-CAP-0-P	TPA-B0	RS	LS	MAL	CPA	MSEAL	RSEAL	72	71	70	69	68	-	66	-	64	63	62	-	-	-	-	-	56	55	-	-	SALEABLE		345650003			
											52	-	-	-	-	-	-	-	44	-	-	41	-	-	38	-	36	35	-	-						
											-	-	-	-	-	-	-	-	29	28	27	-	25	-	-	-	-	-	19	18				17		
MX123 CONN ASSY 73 CKT GRY OPT0 KEY B/51	345661623	C-HSG-B0	G-CAP-0-P	TPA-B0	RS	LS	MAL	CPA	MSEAL	RSEAL	72	71	70	69	68	67	-	-	64	63	-	61	60	-	58	-	56	-	54	-	SALEABLE		345650003			
											52	51	50	49	-	-	46	45	44	43	-	41	40	-	38	-	36	-	34	-						
											-	-	-	-	32	31	30	-	28	27	-	25	24	-	22	-	20	19	18	-						
MX123 CONN ASSY 73 CKT GRY OPT0 KEY B/46	345661633	C-HSG-B0	G-CAP-0-P	TPA-B0	RS	LS	MAL	CPA	MSEAL	RSEAL	72	71	70	-	-	67	-	65	64	63	62	61	60	-	58	-	56	-	54	-	SALEABLE		345650003			
											52	51	-	49	-	-	46	45	44	43	42	41	40	-	38	-	36	-	34	-						
											-	-	-	-	32	31	30	-	28	27	26	25	24	-	22	-	20	19	18	-						
MX123 CONN ASSY 73 CKT GRY OPT0 KEY B/46	345661643	C-HSG-B0	G-CAP-0-P	TPA-B0	RS	LS	MAL	CPA	MSEAL	RSEAL	72	71	70	-	-	67	-	65	64	63	62	61	60	-	58	-	56	-	54	-	SALEABLE		345650003			
											52	51	-	49	-	47	-	45	44	43	42	41	40	-	38	-	36	-	34	-						
											-	-	-	-	32	31	30	-	28	27	26	25	24	-	22	-	20	19	18	-						
MX123 CONN ASSY 73 CKT GRY OPT0 KEY B/50	345661653	C-HSG-B0	G-CAP-0-P	TPA-B0	RS	LS	MAL	CPA	MSEAL	RSEAL	72	71	70	69	68	67	-	65	64	63	62	61	60	-	58	-	56	-	54	-	SALEABLE		345650003			
											52	51	-	49	-	47	-	45	44	43	42	41	40	-	38	-	36	-	34	-						
											-	-	-	-	32	31	30	-	28	27	26	25	24	-	22	-	20	19	18	-						
MX123 CONN ASSY 73 CKT GRY OPT0 KEY B/52	345661663	C-HSG-B0	G-CAP-0-P	TPA-B0	RS	LS	MAL	CPA	MSEAL	RSEAL	72	71	70	69	68	67	-	65	64	63	62	61	60	-	58	-	56	-	54	-	SALEABLE		345650003			
											52	51	-	49	-	47	-	45	44	43	42	41	40	-	38	-	36	-	34	-						
											-	-	-	-	32	31	30	-	28	27	26	25	24	-	22	-	20	19	18	17						
MX123 CONN ASSY 73 CKT BLK OPT0 KEY A/22	345661673	C-HSG-A0	G-CAP-0-P	TPA-A0	RS	LS	MAL	CPA	MSEAL	RSEAL	-	-	-	-	-	-	-	-	-	-	-	61	-	-	58	57	56	-	-	-	SALEABLE		345650003			
											-	51	50	-	-	47	46	-	-	-	-	-	-	-	38	37	36	-	-	-						
											-	-	-	-	-	31	30	-	28	-	26	-	-	-	22	21	20	-	-	-						

ASSEMBLY DESCRIPTION	ASSEMBLY PART NUMBER	CONNECTOR HOUSING	GROMMET CAP	TPA	RIGHT SLIDE	LEFT SLIDE	MATE ASSIST LEVER	CPA	MAT SEAL	RING SEAL	BLOCKED TERMINALS																		STATUS	COMMENTS	INTEGRAL COMPONENTS SOLD SEPARATELY	
											CAVITY WITH A NUMBER INDICATES BLOCKED TERMINAL POSITION																				DRESS COVER	
											CAVITY WITHOUT A NUMBER INDICATES OPEN TERMINAL POSITION																					
MX123 CONN ASSY 73 CKT GRY OPT0 KEY B/39	345661683	C-HSG-B0	G-CAP-0-P	TPA-B0	RS	LS	MAL	CPA	MSEAL	RSEAL	72	71	70	69	68	-	-	65	64	-	62	61	60	-	-	-	-	-	54	-		
											52	51	-	-	-	47	46	45	44	-	42	41	40	-	-	-	-	-	-	-	34	-
															32	31	30	-	28	-	26	25	24	-	-	-	20	19	18	17	-	-
MX123 CONN ASSY 73 CKT GRY OPT0 KEY B/53	345661693	C-HSG-B0	G-CAP-0-P	TPA-B0	RS	LS	MAL	CPA	MSEAL	RSEAL	72	71	70	69	68	67	-	65	-	63	62	61	60	-	58	-	56	-	54	-		
											52	51	50	-	-	47	-	45	44	43	42	41	40	-	38	-	36	-	34	-	-	-
															-	31	30	-	28	27	26	25	24	-	22	-	20	19	18	-	-	-
MX123 CONN ASSY 73 CKT GRY OPT0 KEY B/21	345661713	C-HSG-B0	G-CAP-0-P	TPA-B0	RS	LS	MAL	CPA	MSEAL	RSEAL	72	-	-	69	-	67	-	-	-	-	62	61	-	-	-	-	-	-	-	-		
											52	-	-	-	-	47	-	-	44	-	42	-	-	-	-	-	-	-	34	-	-	-
															-	-	-	29	28	27	26	25	-	-	-	21	-	-	18	17	-	-
MX123 CONN ASSY 73 CKT GRY OPT0 KEY B/28	345661723	C-HSG-B0	G-CAP-0-P	TPA-B0	RS	LS	MAL	CPA	MSEAL	RSEAL	72	-	-	69	-	67	-	-	64	63	62	61	-	-	-	-	56	55	-	-		
											52	-	-	-	-	47	-	-	44	-	42	-	-	-	-	-	-	-	34	-	-	-
															-	-	-	29	28	27	26	25	-	-	-	21	-	19	18	17	-	-
MX123 CONN ASSY 73 CKT BLK OPT0 KEY A/35	345661733	C-HSG-A0	G-CAP-0-P	TPA-A0	RS	LS	MAL	CPA	MSEAL	RSEAL	72	71	-	69	-	-	-	64	63	62	61	60	59	-	-	56	-	54	53			
											52	51	50	-	48	-	46	45	-	-	-	-	40	-	38	-	36	-	34	33	-	-
															-	31	-	29	28	-	26	-	-	23	22	-	-	-	-	-	-	-
MX123 CONN ASSY 73 CKT BLK OPT0 KEY A/36	345661743	C-HSG-A0	G-CAP-0-P	TPA-A0	RS	LS	MAL	CPA	MSEAL	RSEAL	72	71	-	69	68	-	-	64	63	62	61	60	59	-	-	56	-	54	53			
											52	51	50	-	48	-	46	45	-	-	-	-	40	-	38	-	36	-	34	33	-	-
															-	31	-	29	28	-	26	-	-	23	22	-	-	-	-	-	-	-
MX123 CONN ASSY 73 CKT BLK OPT0 KEY A/40	345661753	C-HSG-A0	G-CAP-0-P	TPA-A0	RS	LS	MAL	CPA	MSEAL	RSEAL	72	71	-	69	68	-	-	64	63	62	61	60	59	-	-	56	-	54	53			
											52	51	50	-	48	-	46	45	-	-	-	-	40	-	38	-	36	-	34	33	-	-
															-	31	30	29	28	-	26	-	-	23	22	-	-	-	-	-	-	-
MX123 CONN ASSY 73 CKT GRY OPT0 KEY B/31	345661763	C-HSG-B0	G-CAP-0-P	TPA-B0	RS	LS	MAL	CPA	MSEAL	RSEAL	72	71	70	69	68	-	66	-	64	63	62	-	-	-	-	56	55	-	-			
											52	-	-	-	-	-	-	44	-	42	41	-	-	38	-	36	35	-	-	-	-	
															-	-	-	29	28	27	-	25	-	-	-	-	-	19	18	17	-	-
MX123 CONN ASSY 73 CKT BLU OPT0 KEY C/41	345661773	C-HSG-C0	G-CAP-0-P	TPA-C0	RS	LS	MAL	CPA	MSEAL	RSEAL	-	71	-	69	68	-	-	65	64	-	-	61	60	-	58	-	56	55	54	-		
											-	-	50	49	48	47	-	45	-	43	-	41	-	-	38	37	36	35	-	-	-	-
															32	31	-	29	28	-	-	-	24	23	-	-	-	19	18	17	-	-
MX123 CONN ASSY 73 CKT BLU OPT0 KEY C/42	345661783	C-HSG-C0	G-CAP-0-P	TPA-C0	RS	LS	MAL	CPA	MSEAL	RSEAL	-	71	-	69	68	-	-	65	64	-	-	61	60	-	58	-	56	55	54	-		
											-	-	50	49	48	47	-	45	-	43	-	41	-	-	38	37	36	35	-	-	-	-
															32	31	-	29	28	27	-	-	24	23	-	-	-	19	18	17	-	-
MX123 CONN ASSY 73 CKT BLK OPT0 KEY A/38	345661793	C-HSG-A0	G-CAP-0-P	TPA-A0	RS	LS	MAL	CPA	MSEAL	RSEAL	72	71	70	-	68	67	66	65	64	-	-	-	60	59	-	-	-	-	-	-		
											-	-	50	-	48	47	46	45	-	-	-	-	40	39	38	-	-	-	-	-	-	-
															-	31	30	-	-	-	-	25	24	23	22	21	20	-	-	17	-	-
MX123 CONN ASSY 73 CKT NAT OPT9 KEY F/73	345661803	C-HSG-F9	G-CAP-9-P	TPA-F9	RS	LS	MAL	CPA	MSEAL	RSEAL	-	-	-	-	-	-	-	-	-	-	-	-	-	-	-	-	-	-	-			
											-	-	-	-	-	-	-	-	-	-	-	-	-	-	-	-	-	-	-	-	-	-
															-	-	-	-	-	-	-	-	-	-	-	-	-	-	-	-	-	-

ASSEMBLY DESCRIPTION	ASSEMBLY PART NUMBER	CONNECTOR HOUSING	GROMMET CAP	TPA	RIGHT SLIDE	LEFT SLIDE	MATE ASSIST LEVER	CPA	MAT SEAL	RING SEAL	BLOCKED TERMINALS																		STATUS	COMMENTS	INTEGRAL COMPONENTS SOLD SEPARATELY																	
											CAVITY WITH A NUMBER INDICATES BLOCKED TERMINAL POSITION CAVITY WITHOUT A NUMBER INDICATES OPEN TERMINAL POSITION																				DRESS COVER																	
MX123 CONN ASSY 73 CKT GRY OPT0 KEY B/24	345661813	C-HSG-B0	G-CAP-0-P	TPA-B0	RS	LS	MAL	CPA	MSEAL	RSEAL	-	-	-	69	-	-	-	65	64	63	-	-	-	-	-	-	-	-	-	-	-	-	-	-	-	-	-	-	-	-	-	-	SALEABLE		345650003			
MX123 CONN ASSY 73 CKT BLK OPT0 KEY A/25	345661823	C-HSG-A0	G-CAP-0-P	TPA-A0	RS	LS	MAL	CPA	MSEAL	RSEAL	-	-	-	-	-	67	-	-	-	63	62	-	60	-	-	57	-	55	-	-	-	-	-	-	-	-	-	-	-	-	-	-	-	SALEABLE		345650003		
MX123 CONN ASSY 73 CKT BLK OPT0 KEY A/38	345661833	C-HSG-A0	G-CAP-0-P	TPA-A0	RS	LS	MAL	CPA	MSEAL	RSEAL	72	71	70	69	-	67	66	-	64	-	62	-	60	-	-	57	-	55	54	53	-	-	-	-	-	-	-	-	-	-	-	-	-	SALEABLE		345650003		
MX123 CONN ASSY 73 CKT BLK OPT0 KEY A/33	345661843	C-HSG-A0	G-CAP-0-P	TPA-A0	RS	LS	MAL	CPA	MSEAL	RSEAL	72	71	70	69	-	67	66	-	64	-	62	-	60	-	-	57	-	55	54	-	-	-	-	-	-	-	-	-	-	-	-	-	-	SALEABLE		345650003		
MX123 CONN ASSY 73 CKT BLK OPT0 KEY A/22	345661853	C-HSG-A0	G-CAP-0-P	TPA-A0	RS	LS	MAL	CPA	MSEAL	RSEAL	-	71	-	-	-	-	66	-	64	-	62	-	-	59	58	-	-	-	-	-	-	-	-	-	-	-	-	-	-	-	-	-	-	SALEABLE		345650003		
MX123 CONN ASSY 73 CKT GRY OPT0 KEY B/56	345661863	C-HSG-B0	G-CAP-0-P	TPA-B0	RS	LS	MAL	CPA	MSEAL	RSEAL	72	71	70	69	-	-	-	-	-	-	62	61	60	59	58	57	56	55	54	53	-	-	-	-	-	-	-	-	-	-	-	-	-	SALEABLE		345650003		
MX123 CONN ASSY 73 CKT BLU OPT0 KEY C/40	345661873	C-HSG-C0	G-CAP-0-P	TPA-C0	RS	LS	MAL	CPA	MSEAL	RSEAL	-	71	-	69	68	-	-	65	64	-	-	61	60	-	58	-	56	55	54	-	-	-	-	-	-	-	-	-	-	-	-	-	-	SALEABLE		345650003		
MX123 CONN ASSY 73 CKT BLK OPT0 KEY A/34	345661883	C-HSG-A0	G-CAP-0-P	TPA-A0	RS	LS	MAL	CPA	MSEAL	RSEAL	72	71	-	69	-	-	-	-	64	63	62	61	60	59	-	-	56	-	54	53	-	-	-	-	-	-	-	-	-	-	-	-	-	SALEABLE		345650003		
MX123 CONN ASSY 73 CKT BLU OPT0 KEY C/42	345661893	C-HSG-C0	G-CAP-0-P	TPA-C0	RS	LS	MAL	CPA	MSEAL	RSEAL	-	71	-	69	68	67	-	65	64	-	62	61	60	-	58	-	56	55	54	-	-	-	-	-	-	-	-	-	-	-	-	-	-	SALEABLE		345650003		
MX123 CONN ASSY 73 CKT GRY OPT0 KEY B/42	345661913	C-HSG-B0	G-CAP-0-P	TPA-B0	RS	LS	MAL	CPA	MSEAL	RSEAL	-	71	-	69	-	67	-	65	64	63	62	61	-	-	58	57	56	-	-	-	-	-	-	-	-	-	-	-	-	-	-	-	-	-	SALEABLE		345650003	
MX123 CONN ASSY 73 CKT BLK OPT0 KEY A/46	345661923	C-HSG-A0	G-CAP-0-P	TPA-A0	RS	LS	MAL	CPA	MSEAL	RSEAL	72	71	70	-	68	67	66	65	64	-	62	61	60	59	-	57	-	-	-	-	-	-	-	-	-	-	-	-	-	-	-	-	-	-	-	SALEABLE		345650003
MX123 CONN ASSY 73 CKT BLK OPT0 KEY A/35	345661933	C-HSG-A0	G-CAP-0-P	TPA-A0	RS	LS	MAL	CPA	MSEAL	RSEAL	72	71	-	69	68	-	-	-	64	63	62	61	60	59	-	-	56	-	54	53	-	-	-	-	-	-	-	-	-	-	-	-	-	-	SALEABLE		345650003	

ASSEMBLY DESCRIPTION	ASSEMBLY PART NUMBER	CONNECTOR HOUSING	GROMMET CAP	TPA	RIGHT SLIDE	LEFT SLIDE	MATE ASSIST LEVER	CPA	MAT SEAL	RING SEAL	BLOCKED TERMINALS																				STATUS	COMMENTS	INTEGRAL COMPONENTS SOLD SEPARATELY
											CAVITY WITH A NUMBER INDICATES BLOCKED TERMINAL POSITION																						DRESS COVER
											CAVITY WITHOUT A NUMBER INDICATES OPEN TERMINAL POSITION																						
MX123 CONN ASSY 73 CKT BLK OPT0 KEY A/34	345661943	C-HSG-A0	G-CAP-0-P	TPA-A0	RS	LS	MAL	CPA	MSEAL	RSEAL	72	71	-	69	68	-	-	-	64	63	62	61	60	59	-	-	56	-	54	53	SALEABLE		345650003
											52	-	50	-	48	-	46	45	-	-	-	-	-	38	-	36	-	34	33				
															-	31	-	29	28	-	26	-	-	23	22	-	-	-	-	-			
MX123 CONN ASSY 73 CKT BLU OPT0 KEY C/42	345661953	C-HSG-C0	G-CAP-0-P	TPA-C0	RS	LS	MAL	CPA	MSEAL	RSEAL	-	71	-	69	68	67	-	65	64	-	62	61	60	-	58	-	56	55	54	-	SALEABLE		345650003
											-	-	50	49	-	-	-	45	-	43	-	41	-	-	38	37	36	35	-	-			
															32	31	-	29	28	27	-	-	24	23	-	-	-	19	18	17			
MX123 CONN ASSY 73 CKT BLU OPT0 KEY C/44	345661963	C-HSG-C0	G-CAP-0-P	TPA-C0	RS	LS	MAL	CPA	MSEAL	RSEAL	-	71	-	69	68	67	-	65	64	-	62	61	60	-	58	-	56	55	54	-	SALEABLE		345650003
											-	-	50	49	48	47	-	45	-	43	-	41	-	-	38	37	36	35	-	-			
															32	31	-	29	28	27	-	-	24	23	-	-	-	19	18	17			
MX123 CONN ASSY 73 CKT BLK OPT0 KEY A/43	345661973	C-HSG-A0	G-CAP-0-P	TPA-A0	RS	LS	MAL	CPA	MSEAL	RSEAL	72	71	70	-	68	67	66	65	64	-	62	61	60	59	58	57	-	-	-	-	SALEABLE		345650003
											-	-	50	-	48	47	46	45	-	-	-	-	40	39	38	37	-	-	-	-			
															-	31	30	29	-	27	-	25	24	-	22	-	20	-	-	17			
MX123 CONN ASSY 73 CKT GRY OPT0 KEY B/73	345661983	C-HSG-B0	G-CAP-0-P	TPA-B0	RS	LS	MAL	CPA	MSEAL	RSEAL	72	71	70	69	68	67	66	65	64	63	62	61	60	59	58	57	56	55	54	53	SALEABLE		345650003
											52	51	50	49	48	47	46	45	44	43	42	41	40	39	38	37	36	35	34	33			
															32	31	30	29	28	27	26	25	24	23	22	21	20	19	18	17			
MX123 CONN ASSY 73 CKT BLU OPT0 KEY C/73	345661993	C-HSG-C0	G-CAP-0-P	TPA-C0	RS	LS	MAL	CPA	MSEAL	RSEAL	72	71	70	69	68	67	66	65	64	63	62	61	60	59	58	57	56	55	54	53	SALEABLE		345650003
											52	51	50	49	48	47	46	45	44	43	42	41	40	39	38	37	36	35	34	33			
															32	31	30	29	28	27	26	25	24	23	22	21	20	19	18	17			
MX123 CONN ASSY 73 CKT BLK OPT0 KEY A/31	345662013	C-HSG-A0	G-CAP-0-P	TPA-A0	RS	LS	MAL	CPA	MSEAL	RSEAL	72	-	-	69	68	67	66	-	64	63	62	61	-	-	-	-	56	55	-	-	SALEABLE		345650003
											52	-	-	-	-	47	-	-	44	-	42	-	-	-	38	-	-	-	34	-			
															-	-	-	29	28	27	26	25	-	-	-	21	-	19	18	17			
MX123 CONN ASSY 73 CKT BLK OPT0 KEY A/38	345662023	C-HSG-A0	G-CAP-0-P	TPA-A0	RS	LS	MAL	CPA	MSEAL	RSEAL	72	71	-	69	-	-	-	-	64	63	62	61	60	59	-	-	56	-	54	53	SALEABLE		345650003
											52	51	50	-	48	-	46	45	-	-	-	-	40	-	38	-	36	-	34	33			
															-	31	-	29	28	-	26	-	-	23	22	-	-	-	-	-			
MX123 CONN ASSY 73 CKT BLK OPT0 KEY A/27	345662033	C-HSG-A0	G-CAP-0-P	TPA-A0	RS	LS	MAL	CPA	MSEAL	RSEAL	72	-	-	69	68	67	66	-	-	63	62	61	-	-	-	-	56	-	-	-	SALEABLE		345650003
											52	-	-	-	-	47	-	-	44	-	42	-	-	-	38	-	-	-	34	-			
															-	-	-	29	28	27	26	25	-	-	-	21	-	19	18	17			
MX123 CONN ASSY 73 CKT BLK OPT0 KEY A/39	345662043	C-HSG-A0	G-CAP-0-P	TPA-A0	RS	LS	MAL	CPA	MSEAL	RSEAL	72	71	-	69	68	-	-	-	64	63	62	61	60	59	-	-	56	-	54	53	SALEABLE		345650003
											52	51	50	-	48	-	46	45	-	-	-	-	40	-	38	-	36	-	34	33			
															-	31	-	29	28	-	26	-	-	23	22	-	-	-	-	-			
MX123 CONN ASSY 73 CKT GRY OPT0 KEY B/41	345662053	C-HSG-B0	G-CAP-0-P	TPA-B0	RS	LS	MAL	CPA	MSEAL	RSEAL	72	71	-	69	-	-	-	-	64	63	62	61	60	59	-	-	56	-	54	53	SALEABLE		345650003
											52	51	50	-	48	-	46	45	-	-	-	-	40	-	38	-	36	35	34	33			
															-	31	-	29	28	-	26	-	-	22	-	-	-	-	-	17			
MX123 CONN ASSY 73 CKT BLK OPT0 KEY A/37	345662093	C-HSG-A0	G-CAP-0-P	TPA-A0	RS	LS	MAL	CPA	MSEAL	RSEAL	72	71	70	69	-	67	66	-	64	-	62	-	60	-	-	57	-	55	54	53	SALEABLE		345650003
											-	51	-	49	48	-	46	45	44	43	42	-	40	39	-	-	-	35	-	-			
															-	-	-	-	-	-	26	-	-	-	22	21	-	-	-	-			



ASSEMBLY DESCRIPTION	ASSEMBLY PART NUMBER	CONNECTOR HOUSING	GROMMET CAP	TPA	RIGHT SLIDE	LEFT SLIDE	MATE ASSIST LEVER	CPA	MAT SEAL	RING SEAL	BLOCKED TERMINALS																STATUS	COMMENTS	INTEGRAL COMPONENTS SOLD SEPARATELY							
											CAVITY WITH A NUMBER INDICATES BLOCKED TERMINAL POSITION																		DRESS COVER							
											CAVITY WITHOUT A NUMBER INDICATES OPEN TERMINAL POSITION																									
MX123 CONN ASSY 73 CKT GRY OPT0 KEY B/27	345662133	C-HSG-B0	G-CAP-0-P	TPA-B0	RS	LS	MAL	CPA	MSEAL	RSEAL	72	-	-	69	68	67	66	-	-	63	62	61	-	-	-	-	56	-	-	-						
											52	-	-	-	-	47	-	-	44	-	42	-	-	-	38	-	-	-	34	-						
											-																21	-	19	18	17					
											-																-	-	14	-	-	-	-	-	-	-
MX123 CONN ASSY 73 CKT GRY OPT0 KEY B/31	345662143	C-HSG-B0	G-CAP-0-P	TPA-B0	RS	LS	MAL	CPA	MSEAL	RSEAL	72	-	-	69	68	67	66	-	64	63	62	61	-	-	-	-	56	55	-	-						
											52	-	-	-	-	47	-	-	44	-	42	-	-	-	38	-	-	-	34	-						
											-																21	-	19	18	17					
											-																-	-	14	-	-	-	-	-	-	-
MX123 CONN ASSY 73 CKT BLK OPT0 KEY A/41	345662153	C-HSG-A0	G-CAP-0-P	TPA-A0	RS	LS	MAL	CPA	MSEAL	RSEAL	72	71	-	69	-	-	-	-	64	63	62	61	60	59	-	-	56	-	54	53						
											52	51	50	-	48	-	46	45	-	-	-	-	40	-	38	-	36	35	34	33						
											-																22	-	-	-	-	17				
											-																16	15	14	-	12	11	10	9	-	7
MX123 CONN ASSY 73 CKT BLK OPT0 KEY A/40	345662163	C-HSG-A0	G-CAP-0-P	TPA-A0	RS	LS	MAL	CPA	MSEAL	RSEAL	72	71	-	69	68	-	-	65	64	63	62	-	60	59	-	57	56	-	-	53						
											52	51	50	-	48	-	46	-	-	-	-	40	-	38	-	36	35	-	33							
											-																22	-	-	-	-	-				
											-																16	-	14	-	12	-	10	-	8	7
MX123 CONN ASSY 73 CKT BLK OPT0 KEY A/36	345662173	C-HSG-A0	G-CAP-0-P	TPA-A0	RS	LS	MAL	CPA	MSEAL	RSEAL	72	71	-	69	68	-	-	-	64	63	62	-	60	59	-	57	56	-	-	53						
											52	51	50	-	48	-	46	-	-	-	-	40	-	38	-	36	35	-	33							
											-																22	-	-	-	-	-				
											-																16	-	14	-	12	-	10	-	-	7
MX123 CONN ASSY 73 CKT BLK OPT0 KEY A/44	345662183	C-HSG-A0	G-CAP-0-P	TPA-A0	RS	LS	MAL	CPA	MSEAL	RSEAL	72	71	-	69	68	-	-	65	64	63	62	61	60	59	-	-	56	-	54	53						
											52	51	50	-	48	-	46	45	-	-	-	-	40	-	38	-	36	35	34	33						
											-																22	-	-	-	-	-				
											-																16	-	14	-	12	11	10	-	8	7
MX123 CONN ASSY 73 CKT BLK OPT0 KEY A/40	345662193	C-HSG-A0	G-CAP-0-P	TPA-A0	RS	LS	MAL	CPA	MSEAL	RSEAL	72	71	-	69	68	-	-	-	64	63	62	61	60	59	-	-	56	-	54	53						
											52	51	50	-	48	-	46	45	-	-	-	-	40	-	38	-	36	35	34	33						
											-																22	-	-	-	-	-				
											-																16	-	14	-	12	11	10	-	-	7
MX123 CONN ASSY 73 CKT BLK OPT0 KEY A/24	345662223	C-HSG-A0	G-CAP-0-P	TPA-A0	RS	LS	MAL	CPA	MSEAL	RSEAL	-	-	-	-	-	-	-	65	-	-	-	61	-	-	58	57	56	-	-	-						
											-	51	50	-	-	47	-	45	-	-	-	41	-	-	38	37	36	-	-	-						
											-																22	21	20	-	-	-				
											-																-	15	-	-	-	-	10	-	-	-
MX123 CONN ASSY 73 CKT BLK OPT0 KEY A/48	345662233	C-HSG-A0	G-CAP-0-P	TPA-A0	RS	LS	MAL	CPA	MSEAL	RSEAL	72	71	70	-	68	67	66	65	64	-	62	61	60	59	-	57	-	55	-	53						
											-	-	50	-	48	47	46	45	-	-	-	-	40	39	38	37	-	-	-	-						
											-																22	21	20	-	-	-	17			
											-																-	15	14	13	-	11	-	9	8	7
MX123 CONN ASSY 73 CKT BLK OPT0 KEY A/24	345662253	C-HSG-A0	G-CAP-0-P	TPA-A0	RS	LS	MAL	CPA	MSEAL	RSEAL	-	-	-	-	-	67	-	-	-	-	62	-	60	-	-	57	-	55	-	-						
											-	51	-	-	48	-	46	45	44	43	-	-	40	39	-	-	-	35	-	-						
											-																25	-	-	-	-	-	-			
											-																-	15	14	-	-	-	-	-	-	7
MX123 CONN ASSY 73 CKT BLK OPT0 KEY A/44	345662263	C-HSG-A0	G-CAP-0-P	TPA-A0	RS	LS	MAL	CPA	MSEAL	RSEAL	72	71	70	-	68	67	66	65	64	-	62	61	60	59	-	57	-	-	-							
											-	-	-	-	48	47	46	45	-	-	-	-	40	39	38	37	-	-	-	-						
											-																22	21	20	-	-	-	17			
											-																-	15	-	13	-	11	-	9	8	7
MX123 CONN ASSY 73 CKT BLK OPT0 KEY A/36	345662273	C-HSG-A0	G-CAP-0-P	TPA-A0	RS	LS	MAL	CPA	MSEAL	RSEAL	72	71	70	-	68	67	66	65	64	-	-	-	60	59	-	-	-	-								
											-	-	-	-	48	47	46	45	-	-	-	-	40	39	38	-	-	-	-							
											-																25	24	23	22	21	20	-	-	-	17
											-																-	15	-	-	-	-	-	9	8	7

ASSEMBLY DESCRIPTION	ASSEMBLY PART NUMBER	CONNECTOR HOUSING	GROMMET CAP	TPA	RIGHT SLIDE	LEFT SLIDE	MATE ASSIST LEVER	CPA	MAT SEAL	RING SEAL	BLOCKED TERMINALS																				STATUS	COMMENTS	INTEGRAL COMPONENTS SOLD SEPARATELY			
											CAVITY WITH A NUMBER INDICATES BLOCKED TERMINAL POSITION																						DRESS COVER			
											CAVITY WITHOUT A NUMBER INDICATES OPEN TERMINAL POSITION																									
MX123 CONN ASSY 73 CKT GRY OPT0 KEY B/52	345662283	C-HSG-B0	G-CAP-0-P	TPA-B0	RS	LS	MAL	CPA	MSEAL	RSEAL	72	71	70	69	-	-	-	-	-	-	62	61	60	59	58	57	56	-	54	53						
											52	51	50	-	-	47	-	-	-	-	42	41	40	39	38	37	36	35	34	33						
																					-	31	-	-	-	-	26	25	24	23	22	21	20	19	18	-
																					-	15	14	13	12	11	-	9	8	7	6	5	4	3	2	1
MX123 CONN ASSY 73 CKT BLU OPT0 KEY C/44	345662293	C-HSG-C0	G-CAP-0-P	TPA-C0	RS	LS	MAL	CPA	MSEAL	RSEAL	-	71	-	69	-	67	-	65	64	-	62	61	60	-	58	-	56	55	54	-						
											-	-	50	49	-	-	-	45	-	43	-	41	-	-	38	37	36	35	-	-						
																					32	31	-	29	28	27	-	-	24	23	-	-	20	19	18	17
																					16	-	-	13	12	11	-	-	8	7	-	5	4	3	2	1
MX123 CONN ASSY 73 CKT BLU OPT0 KEY C/47	345662313	C-HSG-C0	G-CAP-0-P	TPA-C0	RS	LS	MAL	CPA	MSEAL	RSEAL	-	71	-	69	68	67	-	65	64	-	62	61	60	-	58	-	56	55	54	-						
											-	-	50	49	48	47	-	45	-	43	-	41	-	-	38	37	36	35	-	-						
																					32	31	-	29	28	27	-	-	24	23	-	-	20	19	18	17
																					16	-	-	13	12	11	-	-	8	7	-	5	4	3	2	1
MX123 CONN ASSY 73 CKT BLU OPT0 KEY C/41	345662323	C-HSG-C0	G-CAP-0-P	TPA-C0	RS	LS	MAL	CPA	MSEAL	RSEAL	-	71	-	69	-	67	-	65	64	-	62	61	60	-	58	-	56	55	54	-						
											-	-	50	49	-	-	-	45	-	43	-	41	-	-	38	37	36	35	-	-						
																					32	31	-	29	28	27	-	-	24	23	-	-	19	18	17	
																					16	-	-	13	12	11	-	-	8	7	-	-	3	2	1	
MX123 CONN ASSY 73 CKT BLK OPT0 KEY A/33	345662333	C-HSG-A0	G-CAP-0-P	TPA-A0	RS	LS	MAL	CPA	MSEAL	RSEAL	72	-	70	-	-	67	66	-	-	-	62	-	60	-	58	-	-	55	54	53						
											-	51	-	-	48	-	46	45	44	43	42	-	40	-	-	-	-	35	-	-						
																					-	-	-	-	-	-	26	25	-	-	-	21	-	-	-	17
																					-	15	14	-	-	-	-	-	8	7	6	5	4	3	2	-
MX123 CONN ASSY 73 CKT BLK OPT0 KEY A/36	345662343	C-HSG-A0	G-CAP-0-P	TPA-A0	RS	LS	MAL	CPA	MSEAL	RSEAL	-	71	-	69	-	-	-	-	64	63	62	61	60	59	-	-	56	-	54	53						
											52	51	50	-	48	-	46	45	-	-	-	-	40	-	38	-	36	-	34	33						
																					-	31	-	29	28	-	26	-	-	23	22	-	-	-	-	-
																					16	-	-	-	12	11	10	-	-	7	-	-	4	-	2	-
MX123 CONN ASSY 73 CKT BLK OPT0 KEY A/37	345662353	C-HSG-A0	G-CAP-0-P	TPA-A0	RS	LS	MAL	CPA	MSEAL	RSEAL	-	71	-	69	68	-	-	-	64	63	62	61	60	59	-	-	56	-	54	53						
											52	51	50	-	48	-	46	45	-	-	-	-	40	-	38	-	36	-	34	33						
																					-	31	-	29	28	-	26	-	-	23	22	-	-	-	-	-
																					16	-	-	-	12	11	10	-	-	7	-	-	4	-	2	-
MX123 CONN ASSY 73 CKT BLU OPT0 KEY C/39	345662363	C-HSG-C0	G-CAP-0-P	TPA-C0	RS	LS	MAL	CPA	MSEAL	RSEAL	-	71	-	69	68	-	-	65	64	-	-	61	60	-	58	-	56	55	54	-						
											-	-	50	49	48	47	-	45	-	43	-	41	-	-	37	36	35	-	-							
																					-	31	-	29	28	-	-	24	23	-	-	-	19	18	17	
																					16	-	-	13	12	11	-	-	8	7	-	-	3	2	1	
MX123 CONN ASSY 73 CKT GRY OPT0 KEY B/21	345662373	C-HSG-B0	G-CAP-0-P	TPA-B0	RS	LS	MAL	CPA	MSEAL	RSEAL	72	71	70	69	-	-	-	-	63	62	-	-	-	-	-	56	-	-	-							
											52	-	-	-	-	-	-	-	44	-	-	-	-	-	-	-	36	-	-	-						
																					-	-	-	29	28	27	-	25	-	-	-	-	-	19	18	17
																					-	-	-	-	12	11	-	-	-	-	-	-	-	-	-	1
MX123 CONN ASSY 73 CKT GRY OPT0 KEY B/50	345662383	C-HSG-B0	G-CAP-0-P	TPA-B0	RS	LS	MAL	CPA	MSEAL	RSEAL	72	71	70	69	68	67	66	-	64	63	62	61	60	-	58	-	56	-	54	-						
											52	51	-	-	-	47	-	45	44	43	42	41	40	-	38	-	36	-	34	-						
																					32	31	30	-	28	27	26	25	-	-	22	-	20	19	18	17
																					16	-	14	13	12	11	10	9	8	-	-	-	-	2	1	
MX123 CONN ASSY 73 CKT GRY OPT0 KEY B/50	345662393	C-HSG-B0	G-CAP-0-P	TPA-B0	RS	LS	MAL	CPA	MSEAL	RSEAL	72	71	70	69	68	67	66	65	64	63	62	61	60	-	58	-	56	-	54	-						
											52	51	-	-	-	47	-	45	44	43	42	41	40	-	38	-	36	-	34	-						
																					32	31	30	-	28	27	26	25	24	-	22	-	20	19	18	-
																					16	-	14	13	-	11	10	9	8	-	-	-	-	2	1	
MX123 CONN ASSY 73 CKT BLK OPT0 KEY A/38	345662413	C-HSG-A0	G-CAP-0-P	TPA-A0	RS	LS	MAL	CPA	MSEAL	RSEAL	72	71	-	69	68	-	-	-	64	63	62	61	60	59	-	-	56	-	54	53						
											52	51	50	-	48	-	46	45	-	-	-	-	40	-	38	-	36	-	34	33						
																					-	31	-	29	28	-	26	-	-	23	22	-	-	-	-	-
																					16	-	-	-	12	11	10	-	-	7	-	-	4	-	2	-



ASSEMBLY DESCRIPTION	ASSEMBLY PART NUMBER	CONNECTOR HOUSING	GROMMET CAP	TPA	RIGHT SLIDE	LEFT SLIDE	MATE ASSIST LEVER	CPA	MAT SEAL	RING SEAL	BLOCKED TERMINALS																		STATUS	COMMENTS	INTEGRAL COMPONENTS SOLD SEPARATELY					
											CAVITY WITH A NUMBER INDICATES BLOCKED TERMINAL POSITION																				DRESS COVER					
											CAVITY WITHOUT A NUMBER INDICATES OPEN TERMINAL POSITION																									
MX123 CONN ASSY 73 CKT BLK OPT0 KEY A/44	345662423	C-HSG-A0	G-CAP-0-P	TPA-A0	RS	LS	MAL	CPA	MSEAL	RSEAL	72	71	70	69	68	67	66	65	64	-	62	61	60	59	-	-	-	-	-	-	-	-	-	SALEABLE		345650003
MX123 CONN ASSY 73 CKT BLK OPT0 KEY A/44	345662433	C-HSG-A0	G-CAP-0-P	TPA-A0	RS	LS	MAL	CPA	MSEAL	RSEAL	72	71	70	-	68	67	66	65	64	-	62	61	60	59	58	57	-	-	-	-	-	-	SALEABLE		345650003	
MX123 CONN ASSY 73 CKT BLU OPT0 KEY C/40	345662443	C-HSG-C0	G-CAP-0-P	TPA-C0	RS	LS	MAL	CPA	MSEAL	RSEAL	-	71	-	69	-	67	-	65	64	-	62	61	60	-	58	-	56	55	54	-	-	SALEABLE		345650003		
MX123 CONN ASSY 73 CKT BLK OPT0 KEY A/36	345662453	C-HSG-A0	G-CAP-0-P	TPA-A0	RS	LS	MAL	CPA	MSEAL	RSEAL	72	-	70	-	68	67	66	-	-	-	62	61	60	59	-	-	-	-	-	-	-	SALEABLE		345650003		
MX123 CONN ASSY 73 CKT BLK OPT0 KEY A/36	345662463	C-HSG-A0	G-CAP-0-P	TPA-A0	RS	LS	MAL	CPA	MSEAL	RSEAL	72	-	70	-	68	67	66	-	-	-	62	61	60	59	58	-	-	-	-	-	-	SALEABLE		345650003		
MX123 CONN ASSY 73 CKT BLK OPT0 KEY A/37	345662473	C-HSG-A0	G-CAP-0-P	TPA-A0	RS	LS	MAL	CPA	MSEAL	RSEAL	72	71	-	69	-	-	-	-	64	63	62	61	60	59	-	-	56	-	54	53	SALEABLE		345650003			
MX123 CONN ASSY 73 CKT BLK OPT0 KEY A/36	345662483	C-HSG-A0	G-CAP-0-P	TPA-A0	RS	LS	MAL	CPA	MSEAL	RSEAL	72	71	70	-	68	67	66	65	64	-	-	-	60	59	-	-	-	-	-	-	-	SALEABLE		345650003		
MX123 CONN ASSY 73 CKT GRY OPT0 KEY B/23	345662493	C-HSG-B0	G-CAP-0-P	TPA-B0	RS	LS	MAL	CPA	MSEAL	RSEAL	-	-	-	69	-	-	-	65	64	63	-	-	-	-	-	-	-	-	-	-	-	SALEABLE		345650003		
MX123 CONN ASSY 73 CKT BLK OPT0 KEY A/33	345662503	C-HSG-A0	G-CAP-0-P	TPA-A0	RS	LS	MAL	CPA	MSEAL	RSEAL	-	-	70	-	-	-	-	65	-	-	-	61	60	-	58	57	-	55	54	-	-	SALEABLE		345650003		
MX123 CONN ASSY 73 CKT BLU OPT0 KEY C/37	345662513	C-HSG-C0	G-CAP-0-P	TPA-C0	RS	LS	MAL	CPA	MSEAL	RSEAL	-	71	-	69	-	-	-	65	64	-	-	61	60	-	58	-	56	55	54	-	-	SALEABLE		345650003		
MX123 CONN ASSY 73 CKT BLK OPT0 KEY A/21	345662523	C-HSG-A0	G-CAP-0-P	TPA-A0	RS	LS	MAL	CPA	MSEAL	RSEAL	-	51	50	-	-	47	46	-	-	-	-	-	-	-	38	37	36	-	-	-	-	SALEABLE		345650003		
MX123 CONN ASSY 73 CKT GRY OPT0 KEY B/34	345662533	C-HSG-B0	G-CAP-0-P	TPA-B0	RS	LS	MAL	CPA	MSEAL	RSEAL	72	71	70	69	68	-	-	-	64	-	62	61	60	-	-	-	-	-	54	-	-	SALEABLE		345650003		

ASSEMBLY DESCRIPTION	ASSEMBLY PART NUMBER	CONNECTOR HOUSING	GROMMET CAP	TPA	RIGHT SLIDE	LEFT SLIDE	MATE ASSIST LEVER	CPA	MAT SEAL	RING SEAL	BLOCKED TERMINALS																		STATUS	COMMENTS	INTEGRAL COMPONENTS SOLD SEPARATELY
											CAVITY WITH A NUMBER INDICATES BLOCKED TERMINAL POSITION CAVITY WITHOUT A NUMBER INDICATES OPEN TERMINAL POSITION																				DRESS COVER
MX123 CONN ASSY 73 CKT BLU OPT0 KEY C/45	345662543	C-HSG-C0	G-CAP-0-P	TPA-C0	RS	LS	MAL	CPA	MSEAL	RSEAL	-	71	-	69	68	67	-	65	64	-	62	61	60	-	58	-	56	55	54	-	
											-	-	50	49	48	47	-	45	-	43	-	41	-	-	38	37	36	35	-	-	
															-	31	-	29	28	-	-	-	24	23	-	-	20	19	18	17	
				-	16	-	-	13	12	11	-	-	8	7	-	5	4	3	2	1											
MX123 CONN ASSY 73 CKT GRV OPT9 KEY B/24	345662553	C-HSG-B9	G-CAP-9-P	TPA-B9	RS	LS	MAL	CPA	MSEAL	RSEAL	-	-	-	69	-	-	-	65	64	63	-	-	-	-	-	-	-	-	-		
											-	-	-	49	-	-	-	45	44	43	-	-	-	-	-	-	-	-	-	-	
															-	-	-	-	-	-	-	-	-	22	21	20	19	18	17		
				-	-	-	-	12	11	-	-	-	7	6	5	4	3	2	1												
MX123 CONN ASSY 73 CKT BLK OPT9 KEY A/36	345662563	C-HSG-A9	G-CAP-9-P	TPA-A9	RS	LS	MAL	CPA	MSEAL	RSEAL	72	71	70	-	68	67	66	65	64	-	-	-	60	59	-	-	-	-	-		
											-	-	-	-	48	47	46	45	-	-	-	-	40	39	38	-	-	-	-	-	
															-	31	30	-	-	-	-	25	24	23	22	21	20	-	-	17	
				-	15	-	-	-	-	-	-	9	8	7	6	5	4	-	2	1											
MX123 CONN ASSY 73 CKT BLU OPT9 KEY C/42	345662573	C-HSG-C9	G-CAP-9-P	TPA-C9	RS	LS	MAL	CPA	MSEAL	RSEAL	-	71	-	69	68	-	-	65	64	-	-	61	60	-	58	-	56	55	54	-	
											-	-	50	49	48	47	-	45	-	43	-	41	-	-	38	37	36	35	-	-	
															32	31	-	29	28	27	-	-	24	23	-	-	-	19	18	17	
				16	-	-	13	12	11	-	-	8	7	-	-	-	3	2	1												
MX123 CONN ASSY 73 CKT BLK OPT0 KEY A/43	345662583	C-HSG-A0	G-CAP-0-P	TPA-A0	RS	LS	MAL	CPA	MSEAL	RSEAL	72	71	70	-	68	67	66	65	64	-	62	61	60	59	-	57	-	-	-	-	
											-	-	-	-	48	47	46	45	-	-	-	-	40	-	38	37	-	-	-	-	
															-	31	30	29	-	27	-	25	24	23	22	21	20	-	-	17	
				-	15	-	13	-	11	-	9	8	7	6	5	4	-	2	1												
MX123 CONN ASSY 73 CKT BLU OPT0 KEY C/44	345662593	C-HSG-C0	G-CAP-0-P	TPA-C0	RS	LS	MAL	CPA	MSEAL	RSEAL	-	71	-	69	68	67	-	65	64	-	-	61	60	-	58	-	56	55	54	-	
											-	-	50	49	48	47	-	45	-	43	-	41	-	-	38	37	36	35	-	-	
															-	31	-	29	28	-	-	-	24	23	-	-	20	19	18	17	
				16	-	-	13	12	11	-	-	8	7	-	5	4	3	2	1												
MX123 CONN ASSY 73 CKT GRV OPT0 KEY B/53	345662603	C-HSG-B0	G-CAP-0-P	TPA-B0	RS	LS	MAL	CPA	MSEAL	RSEAL	72	71	70	69	68	-	-	-	64	63	62	61	60	-	58	-	56	-	54	-	
											52	51	50	-	-	-	46	45	-	43	42	41	40	-	38	-	36	-	34	-	
															32	31	30	-	-	27	26	25	24	-	22	-	20	19	18	17	
				16	15	14	13	12	11	10	9	8	-	6	5	4	3	2	1												
MX123 CONN ASSY 73 CKT BLU OPT9 KEY C/41	345662613	C-HSG-C9	G-CAP-9-P	TPA-C9	RS	LS	MAL	CPA	MSEAL	RSEAL	-	71	-	69	68	-	-	65	64	-	-	61	60	-	58	-	56	55	54	-	
											-	-	50	49	48	47	-	45	-	43	-	41	-	-	38	37	36	35	-	-	
															32	31	-	29	28	-	-	-	24	23	-	-	-	19	18	17	
				16	-	-	13	12	11	-	-	8	7	-	-	-	3	2	1												
MX123 CONN ASSY 73 CKT BLK OPT0 KEY A/34	345662623	C-HSG-A0	G-CAP-0-P	TPA-A0	RS	LS	MAL	CPA	MSEAL	RSEAL	72	-	70	-	-	-	66	-	-	63	62	-	60	-	58	-	-	55	54	53	
											52	51	-	-	48	-	46	45	44	43	42	-	40	39	-	-	-	35	-	-	
															-	-	-	-	-	-	26	25	-	-	22	21	-	-	-	17	
				-	15	14	-	-	-	-	-	8	-	6	5	-	3	2	1												
MX123 CONN ASSY 73 CKT BLK OPT0 KEY A/38	345662633	C-HSG-A0	G-CAP-0-P	TPA-A0	RS	LS	MAL	CPA	MSEAL	RSEAL	72	-	70	-	-	-	66	-	-	63	62	-	60	-	58	-	-	55	54	53	
											52	51	-	-	48	-	46	45	44	43	42	-	40	39	-	-	-	35	34	-	
															-	-	-	-	-	-	26	25	-	-	22	21	-	-	-	17	
				-	15	14	13	12	-	-	-	8	-	6	5	-	3	2	1												
MX123 CONN ASSY 73 CKT BLK OPT0 KEY A/32	345662643	C-HSG-A0	G-CAP-0-P	TPA-A0	RS	LS	MAL	CPA	MSEAL	RSEAL	72	-	70	-	-	-	66	-	-	63	62	-	60	-	58	-	-	55	54	53	
											52	51	-	-	48	-	46	45	44	43	42	-	40	-	-	-	-	35	-	-	
															-	-	-	-	-	-	26	25	-	-	-	21	-	-	-	17	
				-	15	14	-	-	-	-	-	8	-	6	5	-	3	2	1												
MX123 CONN ASSY 73 CKT BLK OPT0 KEY A/36	345662653	C-HSG-A0	G-CAP-0-P	TPA-A0	RS	LS	MAL	CPA	MSEAL	RSEAL	72	-	70	-	-	-	66	-	-	63	62	-	60	-	58	-	-	55	54	53	
											52	51	-	-	48	-	46	45	44	43	42	-	40	-	-	-	-	35	34	-	
															-	-	-	-	-	-	26	25	-	-	-	21	-	-	-	17	
				-	15	14	13	12	-	-	-	8	-	6	5	-	3	2	1												

ASSEMBLY DESCRIPTION	ASSEMBLY PART NUMBER	CONNECTOR HOUSING	GROMMET CAP	TPA	RIGHT SLIDE	LEFT SLIDE	MATE ASSIST LEVER	CPA	MAT SEAL	RING SEAL	BLOCKED TERMINALS																		STATUS	COMMENTS	INTEGRAL COMPONENTS SOLD SEPARATELY						
											CAVITY WITH A NUMBER INDICATES BLOCKED TERMINAL POSITION CAVITY WITHOUT A NUMBER INDICATES OPEN TERMINAL POSITION																				DRESS COVER						
MX123 CONN ASSY 73 CKT GRY OPT0 KEY B/27	345662693	C-HSG-B0	G-CAP-0-P	TPA-B0	RS	LS	MAL	CPA	MSEAL	RSEAL	72	-	-	69	-	67	-	-	64	63	62	61	-	-	-	-	56	55	-	-							
											52	-	-	-	-	47	-	-	44	-	-	-	-	-	-	-	-	-	-	-	-	-	34	-			
																						-	-	-	29	28	27	26	25	-	-	-	21	-	19	18	17
																						-	-	14	-	-	-	-	-	-	-	-	-	-	-	3	2
MX123 CONN ASSY 73 CKT GRY OPT0 KEY B/55	345662703	C-HSG-B0	G-CAP-0-P	TPA-B0	RS	LS	MAL	CPA	MSEAL	RSEAL	72	71	70	69	68	67	66	-	64	63	62	61	60	-	58	-	56	-	54	-							
											52	51	50	-	-	-	46	45	-	43	42	41	40	-	38	-	36	-	34	-							
																						32	31	30	-	-	27	26	25	24	-	22	-	20	19	18	17
																						16	15	14	13	12	11	10	9	8	-	6	5	4	3	2	1
MX123 CONN ASSY 73 CKT BLK OPT0 KEY A/33	345662713	C-HSG-A0	G-CAP-0-P	TPA-A0	RS	LS	MAL	CPA	MSEAL	RSEAL	72	71	70	-	-	67	66	-	-	-	62	-	-	-	-	57	-	55	54	53							
											-	51	-	-	48	-	46	45	44	43	42	-	40	39	-	-	-	35	-	-							
																						-	-	-	-	-	26	-	-	-	22	21	-	-	-	-	
																						-	15	14	-	-	-	-	-	-	8	7	6	5	4	3	2
MX123 CONN ASSY 73 CKT GRY OPT0 KEY B/20	345662723	C-HSG-B0	G-CAP-0-P	TPA-B0	RS	LS	MAL	CPA	MSEAL	RSEAL	72	-	-	69	-	67	-	-	-	-	62	61	-	-	-	-	-	-	-	-							
											52	-	-	-	-	47	-	-	44	-	-	-	-	-	-	-	-	-	-	-	34	-					
																						-	-	-	29	28	27	26	25	-	-	-	21	-	-	18	17
																						-	-	14	-	-	-	-	-	-	-	-	-	-	-	-	-
MX123 CONN ASSY 73 CKT BLK OPT0 KEY A/35	345662733	C-HSG-A0	G-CAP-0-P	TPA-A0	RS	LS	MAL	CPA	MSEAL	RSEAL	72	71	-	69	-	-	-	-	64	63	62	61	60	59	-	-	56	-	54	53							
											52	51	50	-	48	-	46	45	-	-	-	-	40	-	38	-	36	35	34	33							
																						-	31	-	29	28	-	26	-	-	-	22	-	-	-	-	-
																						-	-	14	-	12	11	-	-	-	7	-	-	4	-	-	-
MX123 CONN ASSY 73 CKT BLU OPT0 KEY C/41	345662743	C-HSG-C0	G-CAP-0-P	TPA-C0	RS	LS	MAL	CPA	MSEAL	RSEAL	-	71	-	69	68	-	-	65	64	-	-	61	60	-	58	-	56	55	54	-							
											-	-	50	49	48	47	-	45	-	43	-	41	-	-	38	37	36	35	-	-							
																						-	31	-	29	28	27	-	24	23	-	-	-	19	18	17	
																						16	-	-	13	12	11	-	-	8	7	-	-	-	3	2	1
MX123 CONN ASSY 73 CKT BLK OPT0 KEY A/38	345662753	C-HSG-A0	G-CAP-0-P	TPA-A0	RS	LS	MAL	CPA	MSEAL	RSEAL	72	71	70	69	68	67	66	65	64	-	-	-	60	59	-	-	-	-	-	-							
											-	-	50	-	48	47	46	45	-	-	-	-	40	39	38	-	-	-	-	-							
																						-	31	30	-	-	-	25	24	23	22	21	20	-	-	17	
																						-	-	14	-	-	-	-	9	8	7	6	5	4	-	2	1
MX123 CONN ASSY 73 CKT GRY OPT0 KEY B/25	345662763	C-HSG-B0	G-CAP-0-P	TPA-B0	RS	LS	MAL	CPA	MSEAL	RSEAL	-	-	-	69	-	-	-	65	64	63	-	-	-	-	-	-	-	-	-								
											-	-	-	49	-	-	-	45	44	43	-	-	-	-	-	-	-	-	-								
																						-	-	-	-	-	-	-	-	23	22	21	20	19	18	17	
																						-	-	-	-	12	11	-	-	-	7	6	5	4	3	2	1
MX123 CONN ASSY 73 CKT BLK OPT9 KEY A/43	345662793	C-HSG-A9	G-CAP-9-P	TPA-A9	RS	LS	MAL	CPA	MSEAL	RSEAL	72	71	70	69	68	-	-	65	64	63	62	61	60	59	58	57	56	55	54	53							
											52	51	50	49	48	-	46	45	44	43	42	-	40	39	38	37	36	35	34	33							
																						-	-	-	-	28	-	26	-	24	23	-	-	20	-	-	
																						-	-	-	-	12	-	-	-	-	-	-	-	-	-	2	-
MX123 CONN ASSY 73 CKT GRY OPT9 KEY B/22	345662813	C-HSG-B9	G-CAP-9-P	TPA-B9	RS	LS	MAL	CPA	MSEAL	RSEAL	-	-	-	-	-	-	-	-	63	-	-	-	-	-	-	-	-	-	53								
											-	-	-	-	-	47	-	45	-	43	42	41	-	39	38	-	-	35	34	33							
																						-	-	-	-	-	-	26	-	-	23	22	-	-	19	-	17
																						-	15	-	-	-	-	-	-	-	8	-	-	5	-	-	-
MX123 CONN ASSY 73 CKT BLK OPT0 KEY A/46	345662823	C-HSG-A0	G-CAP-0-P	TPA-A0	RS	LS	MAL	CPA	MSEAL	RSEAL	72	71	70	69	68	-	-	65	64	63	62	61	60	59	58	57	56	55	54	53							
											52	51	50	49	48	-	46	45	44	43	42	-	40	39	38	37	36	35	34	33							
																						-	-	-	-	28	-	26	-	24	23	-	-	20	-	-	
																						-	-	-	-	12	11	-	-	-	-	-	-	-	-	2	1
MX123 CONN ASSY 73 CKT GRY OPT0 KEY B/26	345662833	C-HSG-B0	G-CAP-0-P	TPA-B0	RS	LS	MAL	CPA	MSEAL	RSEAL	-	-	-	-	-	-	-	-	64	63	62	-	-	59	58	-	-	-	-	53							
											-	-	-	-	-	47	-	45	-	43	42	41	-	39	38	-	-	35	34	33							
																						-	-	-	-	-	-	26	25	-	23	22	-	-	-	-	
																						-	15	-	-	-	-	-	-	-	8	-	-	5	-	3	-

ASSEMBLY DESCRIPTION	ASSEMBLY PART NUMBER	CONNECTOR HOUSING	GROMMET CAP	TPA	RIGHT SLIDE	LEFT SLIDE	MATE ASSIST LEVER	CPA	MAT SEAL	RING SEAL	BLOCKED TERMINALS																				STATUS	COMMENTS	INTEGRAL COMPONENTS SOLD SEPARATELY	
											CAVITY WITH A NUMBER INDICATES BLOCKED TERMINAL POSITION																						DRESS COVER	
											CAVITY WITHOUT A NUMBER INDICATES OPEN TERMINAL POSITION																							
MX123 CONN ASSY 73 CKT BLK OPT0 KEY A/44	345662843	C-HSG-A0	G-CAP-0-P	TPA-A0	RS	LS	MAL	CPA	MSEAL	RSEAL	72	71	70	69	68	-	-	65	64	63	62	61	60	59	58	57	56	55	54	53	SALEABLE		345650003	
											52	51	50	49	48	-	46	45	44	43	42	-	40	39	38	37	36	35	34	33				
																					-	-	-	-	28	-	26	-	24	23				-
MX123 CONN ASSY 73 CKT GRY OPT0 KEY B/24	345662853	C-HSG-B0	G-CAP-0-P	TPA-B0	RS	LS	MAL	CPA	MSEAL	RSEAL	-	-	-	-	-	-	-	-	-	-	62	-	-	59	58	-	-	-	-	53	SALEABLE		345650003	
											-	-	-	-	-	47	-	45	-	43	42	41	-	39	38	-	-	35	34	33				
																					-	-	-	-	-	26	25	-	23	22				-
MX123 CONN ASSY 73 CKT BLK OPT0 KEY A/23	345662863	C-HSG-A0	G-CAP-0-P	TPA-A0	RS	LS	MAL	CPA	MSEAL	RSEAL	-	-	-	-	-	-	65	-	-	-	61	-	-	58	57	56	-	-	-	SALEABLE		345650003		
											-	51	50	-	-	47	-	45	-	-	-	41	-	-	38	37	36	-	-				-	
																					-	31	30	-	-	-	26	25	-				-	22
MX123 CONN ASSY 73 CKT GRY OPT0 KEY B/37	345662873	C-HSG-B0	G-CAP-0-P	TPA-B0	RS	LS	MAL	CPA	MSEAL	RSEAL	-	-	-	-	-	-	65	64	63	62	61	60	-	-	-	-	-	54	-	SALEABLE		345650003		
											-	-	-	-	-	-	46	45	44	43	42	41	40	-	-	-	-	-	-				34	-
																					32	31	30	29	28	27	26	25	24				-	-
MX123 CONN ASSY 73 CKT BLK OPT0 KEY A/39	345662883	C-HSG-A0	G-CAP-0-P	TPA-A0	RS	LS	MAL	CPA	MSEAL	RSEAL	72	71	-	-	68	67	66	65	64	-	-	-	60	59	-	-	-	-	-	SALEABLE		345650003		
											-	-	50	-	48	47	46	45	-	-	-	-	40	39	38	-	-	35	-				33	
																					-	31	30	-	-	-	25	24	23				22	21
MX123 CONN ASSY 73 CKT BLK OPT0 KEY A/35	345662893	C-HSG-A0	G-CAP-0-P	TPA-A0	RS	LS	MAL	CPA	MSEAL	RSEAL	-	71	70	-	68	-	66	-	64	-	62	61	-	59	58	-	-	55	54	-	SALEABLE		345650003	
											52	51	50	-	48	-	45	-	-	42	41	-	39	38	-	-	-	34	-					
																					32	-	-	-	-	27	26	25	-	23				22
MX123 CONN ASSY 73 CKT BLK OPT0 KEY A/24	345662903	C-HSG-A0	G-CAP-0-P	TPA-A0	RS	LS	MAL	CPA	MSEAL	RSEAL	-	-	-	-	-	-	65	-	-	-	-	60	-	58	57	56	-	-	-	SALEABLE		345650003		
											-	-	50	-	-	47	46	45	-	-	-	-	40	-	38	37	36	-	-				-	
																					-	-	30	-	28	-	26	-	24				-	22
MX123 CONN ASSY 73 CKT GRY OPT0 KEY B/55	345662913	C-HSG-B0	G-CAP-0-P	TPA-B0	RS	LS	MAL	CPA	MSEAL	RSEAL	72	71	70	69	-	-	66	65	-	63	62	61	60	59	-	57	56	55	54	53	SALEABLE		345650003	
											52	51	50	49	48	47	-	-	44	43	42	41	40	39	-	37	36	35	34	33				
																					-	31	-	-	-	26	25	24	23	-				21
MX123 CONN ASSY 73 CKT GRY OPT0 KEY B/59	345662923	C-HSG-B0	G-CAP-0-P	TPA-B0	RS	LS	MAL	CPA	MSEAL	RSEAL	72	71	70	69	-	-	66	65	-	63	62	61	60	59	58	57	56	55	54	53	SALEABLE		345650003	
											52	51	50	49	48	47	-	-	44	43	42	41	40	39	38	37	36	35	34	33				
																					-	31	-	-	-	26	25	24	23	22				21
MX123 CONN ASSY 73 CKT BLK OPT0 KEY A/37	345662933	C-HSG-A0	G-CAP-0-P	TPA-A0	RS	LS	MAL	CPA	MSEAL	RSEAL	-	71	70	-	68	-	66	-	64	-	62	61	-	59	58	-	-	55	54	-	SALEABLE		345650003	
											52	51	50	-	48	-	46	45	-	-	42	41	-	39	38	-	-	-	34	-				
																					32	-	-	-	-	27	26	25	-	23				22
MX123 CONN ASSY 73 CKT GRY OPT0 KEY B/23	345662943	C-HSG-B0	G-CAP-0-P	TPA-B0	RS	LS	MAL	CPA	MSEAL	RSEAL	72	71	70	69	-	-	66	65	-	-	62	61	60	-	58	-	56	55	54	53	SALEABLE		345650003	
											52	51	50	49	48	47	-	-	44	-	42	41	40	-	38	-	36	35	34	33				
																					-	31	-	-	-	26	25	24	23	22				-
MX123 CONN ASSY 73 CKT GRY OPT0 KEY B/21	345662953	C-HSG-B0	G-CAP-0-P	TPA-B0	RS	LS	MAL	CPA	MSEAL	RSEAL	72	71	70	69	-	-	66	65	-	-	62	61	60	-	58	57	56	55	54	53	SALEABLE		345650003	
											52	51	50	49	48	47	-	-	44	-	42	41	40	-	38	37	36	35	-	33				
																					-	31	-	-	-	26	25	24	23	22				21



MX123 SEALED ROPT ASSY (73 Odt)  
BOM & PIN OUT SHEET

ASSEMBLY DESCRIPTION	ASSEMBLY PART NUMBER	CONNECTOR HOUSING	GROMMET CAP	TPA	RIGHT SLIDE	LEFT SLIDE	MATE ASSIST LEVER	CPA	MAT SEAL	RING SEAL	BLOCKED TERMINALS																			STATUS	COMMENTS	INTEGRAL COMPONENTS SOLD SEPARATELY
											CAVITY WITH A NUMBER INDICATES BLOCKED TERMINAL POSITION CAVITY WITHOUT A NUMBER INDICATES OPEN TERMINAL POSITION																					DRESS COVER
MX123 CONN ASSY 73 CKT BLK OPT9 KEY A/38	345662983	C-HSG-A9	G-CAP-9-P	TPA-A9	RS	LS	MAL	CPA	MSEAL	RSEAL	72	71	-	-	68	67	66	65	64	-	-	-	60	59	-	-	-	-	-	-	-	
											-	-	50	-	48	47	46	45	-	-	-	-	40	39	38	-	-	35	-	33		
											-																					
MX123 CONN ASSY 73 CKT GRY OPT9 KEY B/49	345662993	C-HSG-B9	G-CAP-9-P	TPA-B9	RS	LS	MAL	CPA	MSEAL	RSEAL	-	-	-	69	-	-	-	65	64	63	-	-	-	-	-	-	-	-	-			
											-	-	-	49	-	-	-	45	44	43	-	-	-	-	-	-	-	-	-	-	-	
											-																					
MX123 CONN ASSY 73 CKT BLK OPT0 KEY A/6	345663003	C-HSG-A0	G-CAP-0-P	TPA-A0	RS	LS	MAL	CPA	MSEAL	RSEAL	-	-	-	-	-	-	-	65	-	-	-	61	-	-	-	-	-	-	-			
											-	-	-	-	-	-	-	45	-	-	-	-	-	-	-	-	-	-	-	-	-	
											-																					
MX123 CONN ASSY 73 CKT BLU OPT9 KEY C/41	345663013	C-HSG-C9	G-CAP-9-P	TPA-C9	RS	LS	MAL	CPA	MSEAL	RSEAL	-	-	-	-	-	-	-	65	64	-	-	61	60	-	58	-	-	-	54	-		
											-	-	50	49	48	47	-	45	-	43	-	41	-	-	-	37	36	35	-	-		
											-																					
MX123 CONN ASSY 73 CKT BLU OPT0 KEY C/37	345663043	C-HSG-C0	G-CAP-0-P	TPA-C0	RS	LS	MAL	CPA	MSEAL	RSEAL	-	71	-	69	-	67	-	65	64	-	-	61	60	-	58	-	56	55	54	-		
											-	-	50	49	-	-	-	45	-	43	-	41	-	-	38	37	36	35	-	-		
											-																					
MX123 CONN ASSY 73 CKT BLU OPT0 KEY C/38	345663053	C-HSG-C0	G-CAP-0-P	TPA-C0	RS	LS	MAL	CPA	MSEAL	RSEAL	-	71	-	69	-	67	-	65	64	-	-	61	60	-	58	-	56	55	54	-		
											-	-	50	49	-	-	-	45	-	43	-	41	-	-	37	36	35	-	-			
											-																					
MX123 CONN ASSY 73 CKT BLK OPT0 KEY A/36	345663063	C-HSG-A0	G-CAP-0-P	TPA-A0	RS	LS	MAL	CPA	MSEAL	RSEAL	72	-	70	-	68	67	66	-	-	-	62	61	-	59	-	-	-	-	-			
											-	-	50	-	48	47	46	-	-	-	-	-	40	39	38	-	-	-	-	-		
											-																					
MX123 CONN ASSY 73 CKT BLK OPT0 KEY A/39	345663073	C-HSG-A0	G-CAP-0-P	TPA-A0	RS	LS	MAL	CPA	MSEAL	RSEAL	72	-	70	-	68	67	66	-	-	-	62	61	-	59	58	-	-	-	-	-		
											-	-	50	-	48	47	46	-	-	-	-	-	40	39	38	-	-	-	-	-		
											-																					
MX123 CONN ASSY 73 CKT BLK OPT0 KEY A/36	345663083	C-HSG-A0	G-CAP-0-P	TPA-A0	RS	LS	MAL	CPA	MSEAL	RSEAL	72	-	70	-	68	67	66	-	-	-	62	61	-	59	-	-	-	-	-			
											-	-	50	-	48	47	46	-	-	-	-	-	40	39	38	-	-	-	-	-		
											-																					
MX123 CONN ASSY 73 CKT BLK OPT0 KEY A/36	345663093	C-HSG-A0	G-CAP-0-P	TPA-A0	RS	LS	MAL	CPA	MSEAL	RSEAL	72	-	70	-	68	67	66	65	-	-	-	61	-	59	58	-	-	-	-	-		
											-	-	50	-	48	47	46	-	-	-	-	-	40	39	38	-	-	-	-	-		
											-																					
MX123 CONN ASSY 73 CKT GRY OPT0 KEY B/48	345663103	C-HSG-B0	G-CAP-0-P	TPA-B0	RS	LS	MAL	CPA	MSEAL	RSEAL	72	71	70	69	68	67	66	-	64	63	-	61	60	-	58	-	56	-	54	-		
											52	51	50	-	-	47	-	45	44	43	-	41	40	-	38	-	36	-	34	-		
											-																					
MX123 CONN ASSY 73 CKT BLK OPT0 KEY A/39	345663113	C-HSG-A0	G-CAP-0-P	TPA-A0	RS	LS	MAL	CPA	MSEAL	RSEAL	72	-	70	-	68	67	66	-	-	-	62	61	-	59	58	-	-	-	-	-		
											-	-	50	-	48	47	46	-	-	-	-	-	40	39	38	-	-	-	-	-		
											-																					

ASSEMBLY DESCRIPTION	ASSEMBLY PART NUMBER	CONNECTOR HOUSING	GROMMET CAP	TPA	RIGHT SLIDE	LEFT SLIDE	MATE ASSIST LEVER	CPA	MAT SEAL	RING SEAL	BLOCKED TERMINALS																		STATUS	COMMENTS	INTEGRAL COMPONENTS SOLD SEPARATELY		
											CAVITY WITH A NUMBER INDICATES BLOCKED TERMINAL POSITION																				DRESS COVER		
											CAVITY WITHOUT A NUMBER INDICATES OPEN TERMINAL POSITION																						
MX123 CONN ASSY 73 CKT GRY OPT0 KEY B/32	345663123	C-HSG-B0	G-CAP-0-P	TPA-B0	RS	LS	MAL	CPA	MSEAL	RSEAL	-	71	-	69	-	67	-	65	64	63	62	61	-	-	58	57	56	-	-	-			
											-	51	-	49	-	47	-	45	44	43	42	41	-	-	38	37	36	-	-	-			
											-																		23	22	21	20	19
MX123 CONN ASSY 73 CKT BLU OPT0 KEY C/36	345663133	C-HSG-C0	G-CAP-0-P	TPA-C0	RS	LS	MAL	CPA	MSEAL	RSEAL	-	71	-	69	-	-	-	65	64	-	-	61	60	-	58	-	56	55	54	-			
											-	-	50	49	-	-	-	45	-	43	-	41	-	-	38	37	36	35	-	-			
											-																		31	-	29	28	27
MX123 CONN ASSY 73 CKT BLU OPT0 KEY C/31	345663143	C-HSG-C0	G-CAP-0-P	TPA-C0	RS	LS	MAL	CPA	MSEAL	RSEAL	-	71	-	69	68	67	-	65	64	-	-	61	60	-	58	-	56	55	54	-			
											-	-	50	49	48	47	-	45	-	43	-	41	-	-	38	-	-	35	-	-			
											-																		31	-	29	28	27
MX123 CONN ASSY 73 CKT BLK OPT0 KEY A/26	345663153	C-HSG-A0	G-CAP-0-P	TPA-A0	RS	LS	MAL	CPA	MSEAL	RSEAL	72	71	-	-	68	67	66	65	64	-	62	61	60	59	-	57	-	55	-	53			
											-	-	50	-	48	-	46	45	-	-	-	-	40	39	38	37	-	35	-	33			
											-																		31	30	29	-	27
MX123 CONN ASSY 73 CKT BLU OPT0 KEY C/35	345663163	C-HSG-C0	G-CAP-0-P	TPA-C0	RS	LS	MAL	CPA	MSEAL	RSEAL	-	71	-	69	68	67	66	65	64	-	-	61	60	-	58	-	-	-	54	-			
											-	-	50	49	48	47	-	45	-	43	-	41	-	-	38	-	-	35	-	-			
											-																		31	-	29	28	27
MX123 CONN ASSY 73 CKT BLK OPT0 KEY A/29	345663173	C-HSG-A0	G-CAP-0-P	TPA-A0	RS	LS	MAL	CPA	MSEAL	RSEAL	72	71	-	-	68	67	66	65	64	-	62	61	60	59	-	57	-	55	-	53			
											-	-	50	-	48	-	46	45	-	-	-	-	40	39	38	37	-	35	-	33			
											-																		31	30	29	-	27
MX123 CONN ASSY 73 CKT BLU OPT0 KEY C/30	345663183	C-HSG-C0	G-CAP-0-P	TPA-C0	RS	LS	MAL	CPA	MSEAL	RSEAL	-	71	-	69	68	67	-	65	64	-	-	61	60	-	58	-	-	-	54	-			
											-	-	50	49	48	47	-	45	-	43	-	41	-	-	38	37	36	35	-	-			
											-																		32	31	-	29	28
MX123 CONN ASSY 73 CKT BLK OPT0 KEY A/31	345663193	C-HSG-A0	G-CAP-0-P	TPA-A0	RS	LS	MAL	CPA	MSEAL	RSEAL	72	71	70	-	68	67	66	65	64	-	62	61	60	59	-	57	-	-	-	-			
											-	-	50	-	48	47	46	45	-	-	-	-	40	39	38	37	-	-	-	-			
											-																		31	30	29	-	27
MX123 CONN ASSY 73 CKT GRY OPT0 KEY B/42	345663203	C-HSG-B0	G-CAP-0-P	TPA-B0	RS	LS	MAL	CPA	MSEAL	RSEAL	72	71	70	69	68	-	66	65	64	63	62	61	-	-	-	-	-	54	-				
											52	51	-	-	-	47	-	45	44	43	42	41	40	-	-	-	-	36	-	-			
											-																		32	31	30	-	28
MX123 CONN ASSY 73 CKT BLU OPT0 KEY C/31	345663213	C-HSG-C0	G-CAP-0-P	TPA-C0	RS	LS	MAL	CPA	MSEAL	RSEAL	-	71	-	69	68	-	-	65	64	-	-	61	60	-	58	57	-	55	54	-			
											-	-	50	49	48	47	-	45	-	43	-	41	-	39	38	37	36	35	-	-			
											-																		31	-	29	28	27
MX123 CONN ASSY 73 CKT BLU OPT0 KEY C/33	345663223	C-HSG-C0	G-CAP-0-P	TPA-C0	RS	LS	MAL	CPA	MSEAL	RSEAL	-	71	-	69	68	-	-	65	64	-	-	61	60	-	58	-	56	55	54	-			
											-	-	50	49	48	47	-	45	-	43	-	41	-	-	38	37	36	35	-	-			
											-																		31	-	29	28	-
MX123 CONN ASSY 73 CKT BLK OPT0 KEY A/36	345663233	C-HSG-A0	G-CAP-0-P	TPA-A0	RS	LS	MAL	CPA	MSEAL	RSEAL	72	71	-	-	68	67	66	65	64	-	-	-	60	59	-	-	-	-	-				
											-	-	50	-	48	47	46	45	-	-	-	-	40	39	38	-	-	35	-	33			
											-																		31	30	-	-	-



ASSEMBLY DESCRIPTION	ASSEMBLY PART NUMBER	CONNECTOR HOUSING	GROMMET CAP	TPA	RIGHT SLIDE	LEFT SLIDE	MATE ASSIST LEVER	CPA	MAT SEAL	RING SEAL	BLOCKED TERMINALS																		STATUS	COMMENTS	INTEGRAL COMPONENTS SOLD SEPARATELY
											CAVITY WITH A NUMBER INDICATES BLOCKED TERMINAL POSITION																				DRESS COVER
											CAVITY WITHOUT A NUMBER INDICATES OPEN TERMINAL POSITION																				
MX123 CONN ASSY 73 CKT BLU OPT0 KEY C/31	345663243	C-HSG-C0	G-CAP-0-P	TPA-C0	RS	LS	MAL	CPA	MSEAL	RSEAL	-	71	-	69	68	67	-	65	64	-	-	61	60	-	58	-	56	55	54	-	
											-	-	50	49	48	47	-	45	-	43	-	41	-	-	38	37	36	35	-	-	
															-	31	-	29	28	27	-	-	24	23	-	-	20	19	18	17	
											-	16	-	-	13	12	11	-	-	8	7	-	-	-	3	2	1				
MX123 CONN ASSY 73 CKT BLK OPT0 KEY A/28	345663253	C-HSG-A0	G-CAP-0-P	TPA-A0	RS	LS	MAL	CPA	MSEAL	RSEAL	72	71	-	-	68	67	66	65	64	-	62	61	60	59	-	57	-	-	-	-	
											-	-	50	-	48	47	46	45	-	-	-	-	40	39	38	37	-	35	-	33	
															-	31	30	29	-	27	-	25	24	23	22	21	20	-	-	17	
											-	-	14	13	-	11	-	9	8	7	6	5	4	-	2	1					
MX123 CONN ASSY 73 CKT BLU OPT0 KEY C/36	345663263	C-HSG-C0	G-CAP-0-P	TPA-C0	RS	LS	MAL	CPA	MSEAL	RSEAL	-	71	-	69	68	67	-	65	64	-	-	61	60	-	58	-	-	-	54	-	
											-	-	50	49	48	47	-	45	-	43	-	41	-	-	38	37	36	35	-	-	
															-	31	-	29	28	27	-	-	24	23	-	-	20	-	-	17	
											-	16	-	-	13	12	11	-	-	8	7	-	-	-	-	2	1				
MX123 CONN ASSY 73 CKT BLK OPT0 KEY A/31	345663273	C-HSG-A0	G-CAP-0-P	TPA-A0	RS	LS	MAL	CPA	MSEAL	RSEAL	72	71	-	-	68	67	66	65	64	-	62	61	60	59	-	57	-	-	-	-	
											-	-	50	-	48	47	46	45	-	-	-	-	40	39	38	37	-	35	-	33	
															-	31	30	29	-	27	-	25	24	23	22	21	20	-	-	-	
											-	-	14	13	-	11	-	9	8	7	6	5	4	-	-	-					
MX123 CONN ASSY 73 CKT BLU OPT0 KEY C/31	345663283	C-HSG-C0	G-CAP-0-P	TPA-C0	RS	LS	MAL	CPA	MSEAL	RSEAL	-	71	-	69	68	-	-	65	64	-	-	61	60	-	58	-	56	55	54	-	
											-	-	50	49	48	47	-	45	-	43	-	41	-	-	38	37	36	35	-	-	
															32	31	-	29	28	27	-	-	24	23	-	-	20	19	18	17	
											-	16	-	-	13	12	11	-	-	8	7	-	-	-	3	2	1				
MX123 CONN ASSY 73 CKT GRY OPT0 KEY B/49	345663293	C-HSG-B0	G-CAP-0-P	TPA-B0	RS	LS	MAL	CPA	MSEAL	RSEAL	-	-	-	69	-	-	-	65	64	63	-	-	-	-	-	-	-	-	-		
											-	-	-	49	-	-	46	45	44	43	-	-	-	-	-	-	-	-	-	-	
															-	-	-	-	-	-	-	-	-	-	22	21	20	19	18	17	
											-	-	-	-	12	11	-	-	-	7	6	5	4	3	2	1					
MX123 CONN ASSY 73 CKT GRY OPT0 KEY B/44	345663303	C-HSG-B0	G-CAP-0-P	TPA-B0	RS	LS	MAL	CPA	MSEAL	RSEAL	72	71	70	69	68	67	66	65	64	63	62	61	60	-	-	-	-	-	54	-	
											52	51	-	-	-	47	-	45	44	43	42	41	40	-	-	-	-	36	-	-	-
															32	31	30	-	28	27	26	25	24	-	-	-	20	19	-	17	
											-	-	-	13	12	11	10	9	8	-	-	-	-	-	2	1					
MX123 CONN ASSY 73 CKT BLU OPT0 KEY C/28	345663313	C-HSG-C0	G-CAP-0-P	TPA-C0	RS	LS	MAL	CPA	MSEAL	RSEAL	-	71	-	69	68	67	66	65	64	-	-	61	60	-	58	-	56	55	54	-	
											-	-	50	49	48	47	-	45	-	43	-	41	-	-	38	37	36	35	-	-	
															-	31	-	29	28	27	-	-	24	23	-	-	20	19	18	17	
											-	16	-	-	13	12	11	10	9	8	7	-	-	-	3	2	1				
MX123 CONN ASSY 73 CKT GRY OPT0 KEY B/25	345663323	C-HSG-B0	G-CAP-0-P	TPA-B0	RS	LS	MAL	CPA	MSEAL	RSEAL	72	71	70	69	-	-	-	-	-	62	61	60	59	-	57	56	-	54	53		
											52	51	50	-	-	47	-	-	-	-	42	41	40	39	-	37	36	35	34	33	
															-	31	-	-	-	-	26	25	24	23	-	21	20	19	18	-	
											-	15	14	13	12	11	-	9	8	7	6	5	4	3	2	1					
MX123 CONN ASSY 73 CKT BLK OPT0 KEY A/49	345663333	C-HSG-A0	G-CAP-0-P	TPA-A0	RS	LS	MAL	CPA	MSEAL	RSEAL	-	-	-	-	-	67	66	-	-	-	62	-	60	-	-	-	-	55	-	53	
											-	-	-	-	48	-	46	45	44	43	-	-	40	39	-	-	-	35	-	-	
															-	-	-	-	-	-	-	25	-	-	22	21	-	-	-	-	
											-	15	14	-	-	-	-	-	8	7	6	5	4	-	-	-					
MX123 CONN ASSY 73 CKT BLK OPT0 KEY A/41	345663343	C-HSG-A0	G-CAP-0-P	TPA-A0	RS	LS	MAL	CPA	MSEAL	RSEAL	-	71	70	-	68	-	-	-	64	-	62	61	-	59	58	-	-	55	54	-	
											52	51	50	-	48	-	46	45	-	-	-	41	-	39	38	-	-	-	34	-	
															32	-	-	-	-	27	-	25	-	23	22	-	-	19	18	-	
											-	-	-	-	12	-	-	9	8	7	6	-	-	-	-	-					
MX123 CONN ASSY 73 CKT GRY OPT0 KEY B/23	345663353	C-HSG-B0	G-CAP-0-P	TPA-B0	RS	LS	MAL	CPA	MSEAL	RSEAL	72	71	70	69	-	-	66	65	-	63	62	61	60	-	-	57	56	55	-	53	
											52	51	50	49	48	47	-	-	44	43	42	41	40	-	-	37	36	35	34	33	
															-	31	-	-	-	-	26	25	24	-	-	21	20	19	18	-	
											-	16	15	14	13	-	11	-	9	-	7	6	5	4	3	2	-				

ASSEMBLY DESCRIPTION	ASSEMBLY PART NUMBER	CONNECTOR HOUSING	GROMMET CAP	TPA	RIGHT SLIDE	LEFT SLIDE	MATE ASSIST LEVER	CPA	MAT SEAL	RING SEAL	BLOCKED TERMINALS																				STATUS	COMMENTS	INTEGRAL COMPONENTS SOLD SEPARATELY		
											CAVITY WITH A NUMBER INDICATES BLOCKED TERMINAL POSITION																						DRESS COVER		
											CAVITY WITHOUT A NUMBER INDICATES OPEN TERMINAL POSITION																								
MX123 CONN ASSY 73 CKT BLK OPT0 KEY A/45	345663363	C-HSG-A0	G-CAP-0-P	TPA-A0	RS	LS	MAL	CPA	MSEAL	RSEAL	72	-	70	-	-	67	66	-	-	-	62	-	60	-	58	-	-	55	-	53	SALEABLE		345650003		
											-	51	-	-	48	-	46	45	44	43	-	-	-	-	-	-	-	-	-	35				-	-
																					-	-	-	-	-	25	-	-	-	21				-	-
MX123 CONN ASSY 73 CKT BLU OPT9 KEY C/41	345663373	C-HSG-C9	G-CAP-9-P	TPA-C9	RS	LS	MAL	CPA	MSEAL	RSEAL	-	71	-	69	-	-	-	65	64	-	-	61	60	-	58	-	-	-	54	-	SALEABLE		345650003		
											-	-	50	49	-	-	-	45	-	43	-	41	-	-	-	37	36	35	-	-					
																					-	31	-	29	28	27	-	-	24	23				-	-
MX123 CONN ASSY 73 CKT BLK OPT0 KEY A/44	345663383	C-HSG-A0	G-CAP-0-P	TPA-A0	RS	LS	MAL	CPA	MSEAL	RSEAL	72	71	-	-	-	67	66	-	-	-	62	-	60	-	-	-	55	-	53	SALEABLE		345650003			
											-	51	-	-	-	-	46	45	44	43	-	-	40	39	-	-	-	35	-				-		
																					-	-	-	-	-	-	25	-	-				22	21	-
MX123 CONN ASSY 73 CKT BLU OPT0 KEY C/35	345663393	C-HSG-C0	G-CAP-0-P	TPA-C0	RS	LS	MAL	CPA	MSEAL	RSEAL	-	71	-	69	-	-	-	65	64	-	-	61	60	-	58	-	56	55	54	-	SALEABLE		345650003		
											-	-	50	49	-	-	-	45	-	43	-	41	-	-	38	37	36	35	-	-					
																					-	31	-	29	28	27	-	-	24	23				-	-
MX123 CONN ASSY 73 CKT BLK OPT0 KEY A/6	345663403	C-HSG-A0	G-CAP-0-P	TPA-A0	RS	LS	MAL	CPA	MSEAL	RSEAL	-	-	-	-	-	-	-	65	-	-	-	61	-	-	-	-	-	-	-	SALEABLE		345650003			
											-	-	-	-	-	-	-	45	-	-	-	-	-	-	-	-	-	-	-				-	-	
																					-	-	-	-	-	-	26	-	-				-	-	-
MX123 CONN ASSY 73 CKT BLK OPT0 KEY A/45	345663413	C-HSG-A0	G-CAP-0-P	TPA-A0	RS	LS	MAL	CPA	MSEAL	RSEAL	-	71	-	69	68	-	-	-	64	63	62	-	60	59	-	-	56	-	-	53	SALEABLE		345650003		
											52	51	-	-	48	-	46	-	-	-	-	-	40	-	38	-	36	-	34	33					
																					-	31	-	29	28	-	-	-	23	22				-	-
MX123 CONN ASSY 73 CKT BLU OPT9 KEY C/31	345663423	C-HSG-C9	G-CAP-9-P	TPA-C9	RS	LS	MAL	CPA	MSEAL	RSEAL	72	71	70	-	68	67	66	65	64	-	62	61	60	59	-	57	-	-	-	-	SALEABLE		345650003		
											-	-	50	-	48	47	46	45	-	-	-	-	40	39	38	37	-	-	-	-				-	
																					-	31	30	29	-	27	-	25	24	23				22	21
MX123 CONN ASSY 73 CKT BLU OPT9 KEY C/30	345663433	C-HSG-C9	G-CAP-9-P	TPA-C9	RS	LS	MAL	CPA	MSEAL	RSEAL	-	71	-	69	68	67	-	65	64	-	-	61	60	-	58	-	-	-	54	-	SALEABLE		345650003		
											-	-	50	49	48	47	-	45	-	43	-	41	-	-	38	37	36	35	-	-					
																					32	31	-	29	28	27	-	-	24	23				-	-
MX123 CONN ASSY 73 CKT BLK OPT0 KEY A/36	345663443	C-HSG-A0	G-CAP-0-P	TPA-A0	RS	LS	MAL	CPA	MSEAL	RSEAL	72	-	70	-	68	67	66	-	-	-	62	61	-	59	58	-	-	-	-	-	SALEABLE		345650003		
											-	-	50	-	48	47	46	-	-	-	-	-	40	39	38	-	-	-	-	-					
																					-	31	-	29	-	27	-	25	24	-				22	21
MX123 CONN ASSY 73 CKT BLK OPT0 KEY A/6	345663453	C-HSG-A0	G-CAP-0-P	TPA-A0	RS	LS	MAL	CPA	MSEAL	RSEAL	72	71	70	69	68	67	66	65	64	63	62	-	60	59	58	57	56	55	54	53	SALEABLE		345650003		
											52	51	50	49	48	47	46	45	44	43	42	41	40	39	38	37	36	35	34	33					
																					32	31	30	29	28	27	26	25	24	23				22	21
MX123 CONN ASSY 73 CKT GRY OPT9 KEY B/54	345663473	C-HSG-B9	G-CAP-9-P	TPA-B9	RS	LS	MAL	CPA	MSEAL	RSEAL	-	-	-	-	-	-	-	-	-	63	-	-	-	-	-	-	-	-	53	SALEABLE		345650003			
											-	-	-	-	48	47	-	45	-	43	42	41	-	39	-	-	-	35	34				33		
																					-	-	-	-	-	-	26	-	-				23	22	-
MX123 CONN ASSY 73 CKT GRY OPT0 KEY B/51	345663483	C-HSG-B0	G-CAP-0-P	TPA-B0	RS	LS	MAL	CPA	MSEAL	RSEAL	-	-	-	-	-	-	-	-	64	63	62	-	-	59	58	-	-	-	53	SALEABLE		345650003			
											-	-	-	-	-	47	-	45	-	43	42	41	-	39	-	-	-	35	34				33		
																					-	-	-	-	-	-	26	25	-				23	22	-



ASSEMBLY DESCRIPTION	ASSEMBLY PART NUMBER	CONNECTOR HOUSING	GROMMET CAP	TPA	RIGHT SLIDE	LEFT SLIDE	MATE ASSIST LEVER	CPA	MAT SEAL	RING SEAL	BLOCKED TERMINALS																		STATUS	COMMENTS	INTEGRAL COMPONENTS SOLD SEPARATELY		
											CAVITY WITH A NUMBER INDICATES BLOCKED TERMINAL POSITION CAVITY WITHOUT A NUMBER INDICATES OPEN TERMINAL POSITION																				DRESS COVER		
MX123 CONN ASSY 73 CKT BLK OPT0 KEY A/44	345663493	C-HSG-A0	G-CAP-0-P	TPA-A0	RS	LS	MAL	CPA	MSEAL	RSEAL	-	71	-	69	68	-	-	-	64	63	62	-	60	59	-	-	56	-	-	53	SALEABLE		345650003
											52	51	50	-	48	-	46	-	-	-	-	40	-	38	-	36	-	34	33				
											-																						
MX123 CONN ASSY 73 CKT BLK OPT0 KEY A/32	345663503	C-HSG-A0	G-CAP-0-P	TPA-A0	RS	LS	MAL	CPA	MSEAL	RSEAL	-	-	70	-	-	-	-	65	-	-	-	61	-	-	58	57	56	55	54	53	SALEABLE		345650003
											-	51	50	-	-	47	-	45	-	-	-	41	-	-	38	37	36	-	34	-			
											-																						
MX123 CONN ASSY 73 CKT BLK OPT0 KEY A/37	345663513	C-HSG-A0	G-CAP-0-P	TPA-A0	RS	LS	MAL	CPA	MSEAL	RSEAL	72	71	-	-	68	67	66	65	64	-	-	-	-	59	-	-	-	-	-	SALEABLE		345650003	
											-	-	50	-	48	47	46	45	-	-	-	-	40	39	38	-	-	35	-				33
											-																						
MX123 CONN ASSY 73 CKT BLK OPT0 KEY A/31	345663523	C-HSG-A0	G-CAP-0-P	TPA-A0	RS	LS	MAL	CPA	MSEAL	RSEAL	-	71	-	69	68	67	-	65	64	-	-	61	60	59	58	57	-	-	-	53	SALEABLE		345650003
											-	51	50	-	48	47	46	45	44	-	-	41	40	39	38	37	-	-	-	33			
											-																						
MX123 CONN ASSY 73 CKT BLK OPT9 KEY A/31	345663533	C-HSG-A9	G-CAP-9-P	TPA-A9	RS	LS	MAL	CPA	MSEAL	RSEAL	72	71	70	-	68	67	66	65	64	-	62	61	60	59	-	57	-	-	-	-	SALEABLE		345650003
											-	-	50	-	48	47	46	45	-	-	-	-	40	39	38	37	-	-	-	-			
											-																						
MX123 CONN ASSY 73 CKT BLK OPT9 KEY A/30	345663543	C-HSG-A9	G-CAP-9-P	TPA-A9	RS	LS	MAL	CPA	MSEAL	RSEAL	-	71	-	69	68	67	-	65	64	-	-	61	60	-	58	-	-	-	54	-	SALEABLE		345650003
											-	-	50	49	48	47	-	45	-	43	-	41	-	-	38	37	36	35	-	-			
											-																						
MX123 CONN ASSY 73 CKT BLU OPT9 KEY C/60	345663553	C-HSG-C9	G-CAP-9-P	TPA-C9	RS	LS	MAL	CPA	MSEAL	RSEAL	-	-	-	-	-	-	-	-	64	-	-	-	60	-	-	-	-	-	-	SALEABLE		345650003	
											52	-	-	-	-	47	-	-	-	-	-	-	-	-	37	-	-	-	-				-
											-																						
MX123 CONN ASSY 73 CKT BLU OPT9 KEY C/37	345663563	C-HSG-C9	G-CAP-9-P	TPA-C9	RS	LS	MAL	CPA	MSEAL	RSEAL	-	71	-	69	-	-	-	65	64	-	-	61	60	-	58	-	56	55	54	-	SALEABLE		345650003
											-	-	50	49	-	-	-	45	-	43	-	41	-	-	37	36	35	-	-	-			
											-																						
MX123 CONN ASSY 73 CKT BLU OPT9 KEY C/41	345663573	C-HSG-C9	G-CAP-9-P	TPA-C9	RS	LS	MAL	CPA	MSEAL	RSEAL	72	71	-	-	-	67	66	65	64	-	-	-	60	59	-	-	-	-	-	SALEABLE		345650003	
											-	-	-	-	-	-	46	45	-	-	-	-	40	39	38	-	-	35	-				33
											-																						
MX123 CONN ASSY 73 CKT BLK OPT9 KEY A/38	345663583	C-HSG-A9	G-CAP-9-P	TPA-A9	RS	LS	MAL	CPA	MSEAL	RSEAL	72	71	-	-	68	67	66	65	64	-	-	-	60	59	-	-	-	-	-	SALEABLE		345650003	
											-	-	-	-	48	47	46	45	-	-	-	-	40	39	38	-	-	35	-				33
											-																						
MX123 CONN ASSY 73 CKT BLK OPT0 KEY A/36	345663593	C-HSG-A0	G-CAP-0-P	TPA-A0	RS	LS	MAL	CPA	MSEAL	RSEAL	72	-	70	-	68	67	66	65	-	-	62	61	-	59	-	-	-	-	-	SALEABLE		345650003	
											-	-	50	-	48	47	46	-	-	-	-	40	39	38	-	-	-	-	-				-
											-																						
MX123 CONN ASSY 73 CKT GRY OPT0 KEY B/52	345663603	C-HSG-B0	G-CAP-0-P	TPA-B0	RS	LS	MAL	CPA	MSEAL	RSEAL	72	71	70	69	-	67	66	65	-	63	62	61	60	-	58	-	56	-	54	-	SALEABLE		345650003
											52	51	50	-	-	47	-	45	44	43	42	41	40	-	38	-	36	-	34	-			
											-																						

ASSEMBLY DESCRIPTION	ASSEMBLY PART NUMBER	CONNECTOR HOUSING	GROMMET CAP	TPA	RIGHT SLIDE	LEFT SLIDE	MATE ASSIST LEVER	CPA	MAT SEAL	RING SEAL	BLOCKED TERMINALS																				STATUS	COMMENTS	INTEGRAL COMPONENTS SOLD SEPARATELY	
											CAVITY WITH A NUMBER INDICATES BLOCKED TERMINAL POSITION																						DRESS COVER	
											CAVITY WITHOUT A NUMBER INDICATES OPEN TERMINAL POSITION																							
MX123 CONN ASSY 73 CKT GRY OPT0 KEY B/20	345663613	C-HSG-B0	G-CAP-0-P	TPA-B0	RS	LS	MAL	CPA	MSEAL	RSEAL	72	71	70	69	-	-	66	65	-	-	62	61	60	-	58	57	56	55	54	53	SALEABLE		345650003	
											52	51	50	49	48	47	-	-	44	-	42	41	40	-	38	37	36	35	34	33				
															-	31	-	-	-	26	25	24	23	22	21	20	19	18	17					
															16	15	14	13	12	11	-	9	8	7	-	-	-	-	2	1				
MX123 CONN ASSY 73 CKT BLK OPT0 KEY A/40	345663623	C-HSG-A0	G-CAP-0-P	TPA-A0	RS	LS	MAL	CPA	MSEAL	RSEAL	-	71	-	-	68	67	66	65	64	-	-	-	-	-	-	-	-	-	SALEABLE		345650003			
											-	-	50	-	48	47	46	45	-	-	-	-	40	39	38	-	-	35				-	33	
															-	31	30	-	-	-	25	24	23	22	21	20	-	-				17		
															-	-	14	-	-	-	9	-	7	6	5	4	-	2				1		
MX123 CONN ASSY 73 CKT BLU OPT0 KEY C/42	345663633	C-HSG-C0	G-CAP-0-P	TPA-C0	RS	LS	MAL	CPA	MSEAL	RSEAL	-	71	-	69	-	-	-	65	64	-	-	61	60	-	58	-	56	55	54	-	SALEABLE		345650003	
											-	-	50	49	-	-	-	45	-	43	42	41	-	-	-	-	35	-	-					
															-	31	-	29	28	27	-	-	-	-	-	20	19	18	17					
															16	-	-	13	12	11	-	-	-	-	-	-	3	-	1					
MX123 CONN ASSY 73 CKT GRY OPT0 KEY B/38	345663643	C-HSG-B0	G-CAP-0-P	TPA-B0	RS	LS	MAL	CPA	MSEAL	RSEAL	-	-	-	69	-	-	-	65	64	-	-	62	61	60	-	58	57	56	55	54	-	SALEABLE		345650003
											-	-	-	49	-	-	-	45	44	43	42	41	40	-	38	37	36	35	-	-				
															-	-	-	-	-	-	-	-	23	22	21	20	19	18	-					
															-	-	-	-	12	11	-	9	-	7	6	5	4	3	-	-				
MX123 CONN ASSY 73 CKT GRY OPT0 KEY B/44	345663653	C-HSG-B0	G-CAP-0-P	TPA-B0	RS	LS	MAL	CPA	MSEAL	RSEAL	-	-	-	-	-	67	-	-	-	-	62	61	60	-	58	57	56	55	54	-	SALEABLE		345650003	
											-	-	-	-	-	-	-	-	-	-	42	41	40	-	38	37	36	35	-	-				
															-	31	-	-	-	-	-	-	23	22	21	20	19	18	-					
															-	15	-	-	-	-	-	9	-	7	6	5	4	-	-	-				
MX123 CONN ASSY 73 CKT BLK OPT0 KEY A/41	345663663	C-HSG-A0	G-CAP-0-P	TPA-A0	RS	LS	MAL	CPA	MSEAL	RSEAL	-	71	-	-	68	67	66	65	64	-	-	-	-	-	-	-	-	-	SALEABLE		345650003			
											-	-	50	-	48	47	46	45	-	-	-	-	40	39	38	-	-	35				-	33	
															-	31	30	-	-	-	25	24	23	22	21	20	-	-				17		
															-	-	14	-	-	-	9	8	-	-	5	4	-	2				1		
MX123 CONN ASSY 73 CKT BLU OPT9 KEY C/54	345663673	C-HSG-C9	G-CAP-9-P	TPA-C9	RS	LS	MAL	CPA	MSEAL	RSEAL	72	-	-	-	-	-	66	-	64	-	-	-	60	-	-	-	-	-	-	SALEABLE		345650003		
											52	-	-	-	-	47	46	-	-	-	-	-	-	-	37	-	-	-	-					
															32	-	-	-	-	-	25	24	23	-	21	-	-	-	-					
															-	-	-	13	12	11	10	-	8	-	-	-	4	-	-				-	
MX123 CONN ASSY 73 CKT BLU OPT0 KEY C/37	345663693	C-HSG-C0	G-CAP-0-P	TPA-C0	RS	LS	MAL	CPA	MSEAL	RSEAL	-	71	-	69	-	-	-	65	64	-	-	61	60	-	58	-	56	55	54	-	SALEABLE		345650003	
											-	-	50	49	-	-	-	45	-	43	-	41	-	-	37	36	35	-	-					
															-	31	-	29	28	-	-	24	23	-	-	20	19	18	17					
															16	-	-	13	12	11	-	8	7	-	-	-	3	2	1					
MX123 CONN ASSY 73 CKT BLK OPT0 KEY A/55	345663703	C-HSG-A0	G-CAP-0-P	TPA-A0	RS	LS	MAL	CPA	MSEAL	RSEAL	72	71	70	69	-	-	-	-	64	63	62	61	60	-	58	57	56	-	54	-	SALEABLE		345650003	
											52	51	50	-	-	-	46	45	-	43	42	41	40	-	38	37	36	-	34	-				
															32	31	30	-	-	27	26	25	24	-	22	21	20	19	18	17				
															16	15	14	13	12	11	10	9	8	-	6	5	4	3	2	1				
MX123 CONN ASSY 73 CKT BLU OPT0 KEY C/36	345663713	C-HSG-C0	G-CAP-0-P	TPA-C0	RS	LS	MAL	CPA	MSEAL	RSEAL	-	71	-	69	-	-	-	65	64	-	-	61	60	-	58	-	56	55	54	-	SALEABLE		345650003	
											-	-	50	49	-	-	-	45	-	43	-	41	-	-	38	37	36	35	-	-				
															-	31	-	29	28	-	-	24	23	-	-	20	19	18	17					
															16	-	-	13	12	11	-	8	7	-	-	-	3	2	1					
MX123 CONN ASSY 73 CKT BLK OPT0 KEY A/38	345663723	C-HSG-A0	G-CAP-0-P	TPA-A0	RS	LS	MAL	CPA	MSEAL	RSEAL	72	71	-	-	68	67	66	65	64	-	-	-	60	59	-	-	-	-	-	SALEABLE		345650003		
											-	-	-	-	48	47	46	45	-	-	-	-	40	39	38	-	-	35	-				33	
															-	31	30	-	-	-	25	24	23	22	21	20	-	-	17					
															-	-	-	-	-	-	9	8	7	6	5	4	-	2	1					
MX123 CONN ASSY 73 CKT GRY OPT0 KEY B/50	345663733	C-HSG-B0	G-CAP-0-P	TPA-B0	RS	LS	MAL	CPA	MSEAL	RSEAL	-	-	-	69	-	-	-	65	64	63	-	-	-	-	-	-	-	-	SALEABLE		345650003			
											-	-	-	49	-	-	-	45	44	43	-	-	-	-	-	-	-	-				-		
															-	-	-	-	-	-	-	-	-	22	21	20	19	18				17		
															-	-	-	-	12	11	-	-	-	7	6	5	4	3				2	1	

ASSEMBLY DESCRIPTION	ASSEMBLY PART NUMBER	CONNECTOR HOUSING	GROMMET CAP	TPA	RIGHT SLIDE	LEFT SLIDE	MATE ASSIST LEVER	CPA	MAT SEAL	RING SEAL	BLOCKED TERMINALS																		STATUS	COMMENTS	INTEGRAL COMPONENTS SOLD SEPARATELY						
											CAVITY WITH A NUMBER INDICATES BLOCKED TERMINAL POSITION CAVITY WITHOUT A NUMBER INDICATES OPEN TERMINAL POSITION																				DRESS COVER						
MX123 CONN ASSY 73 CKT BLU OPT0 KEY C/36	345663743	C-HSG-00	G-CAP-0-P	TPA-00	RS	LS	MAL	CPA	MSEAL	RSEAL	-	71	-	69	-	67	-	65	64	-	-	61	60	-	58	-	56	55	54	-							
											-	-	50	49	-	-	-	45	-	43	-	41	-	-	-	37	36	35	-	-							
																						-	31	-	29	28	-	-	-	24	23	-	-	20	19	18	17
																						16	-	-	13	12	11	-	-	8	7	-	-	-	3	2	1
MX123 CONN ASSY 73 CKT BLU OPT0 KEY C/35	345663753	C-HSG-00	G-CAP-0-P	TPA-00	RS	LS	MAL	CPA	MSEAL	RSEAL	-	71	-	69	-	67	-	65	64	-	-	61	60	-	58	-	56	55	54	-							
											-	-	50	49	-	-	-	45	-	43	-	41	-	-	38	37	36	35	-	-							
																						-	31	-	29	28	-	-	-	24	23	-	-	20	19	18	17
																						16	-	-	13	12	11	-	-	8	7	-	-	-	3	2	1
MX123 CONN ASSY 73 CKT BLU OPT0 KEY C/37	345663763	C-HSG-00	G-CAP-0-P	TPA-00	RS	LS	MAL	CPA	MSEAL	RSEAL	-	71	-	69	-	67	-	65	64	-	-	61	60	-	58	-	56	55	54	-							
											-	-	50	49	-	-	-	45	-	43	-	41	-	-	38	37	36	35	-	-							
																						-	31	-	29	28	-	-	-	24	23	-	-	20	19	18	17
																						16	-	-	13	12	11	-	-	8	7	-	-	-	3	2	1
MX123 CONN ASSY 73 CKT BLK OPT0 KEY A/31	345663773	C-HSG-A0	G-CAP-0-P	TPA-A0	RS	LS	MAL	CPA	MSEAL	RSEAL	72	71	-	-	68	67	66	65	64	-	62	61	60	59	-	57	-	-	-	-							
											-	-	-	-	48	47	46	45	-	-	-	-	40	-	38	37	-	35	-	33							
																						-	31	30	29	-	27	-	25	24	23	22	21	20	-	-	17
																						-	-	-	13	-	11	-	9	8	7	6	5	4	-	2	1
MX123 CONN ASSY 73 CKT BLK OPT0 KEY A/34	345663783	C-HSG-A0	G-CAP-0-P	TPA-A0	RS	LS	MAL	CPA	MSEAL	RSEAL	72	71	-	-	68	67	66	65	64	-	62	61	60	59	-	57	-	-	-	-							
											-	-	-	-	48	47	46	45	-	-	-	-	40	-	38	37	-	35	-	33							
																						-	31	30	29	-	27	-	25	24	23	22	21	20	-	-	-
																						-	-	-	13	-	11	-	9	8	7	6	5	4	-	-	-
MX123 CONN ASSY 73 CKT BLK OPT0 KEY A/38	345663793	C-HSG-A0	G-CAP-0-P	TPA-A0	RS	LS	MAL	CPA	MSEAL	RSEAL	72	-	-	69	68	67	66	65	-	-	62	61	-	59	-	-	-	-	-								
											-	-	50	-	48	47	46	-	-	-	-	40	39	38	-	-	35	-	33								
																						-	31	-	29	-	27	-	25	24	-	22	-	20	-	-	17
																						-	-	14	13	-	11	-	9	-	7	6	-	4	-	2	1
MX123 CONN ASSY 73 CKT BLK OPT0 KEY A/32	345663803	C-HSG-A0	G-CAP-0-P	TPA-A0	RS	LS	MAL	CPA	MSEAL	RSEAL	-	-	70	-	-	-	-	65	-	-	-	61	60	-	58	57	-	55	54	-							
											52	51	-	49	-	47	-	45	-	-	-	41	40	-	38	37	-	-	34	-							
																						-	31	-	-	28	-	26	25	24	-	22	21	-	19	18	-
																						16	15	-	-	-	-	-	-	-	7	6	-	-	-	-	-
MX123 CONN ASSY 73 CKT BLU OPT0 KEY C/42	345663813	C-HSG-00	G-CAP-0-P	TPA-00	RS	LS	MAL	CPA	MSEAL	RSEAL	-	71	-	69	-	67	-	65	64	-	-	61	60	-	58	-	56	55	54	-							
											-	-	50	49	-	-	-	45	-	43	-	41	-	-	-	-	35	-	-								
																						-	31	-	29	28	27	-	-	-	23	-	-	-	19	18	17
																						16	-	-	-	12	11	-	-	-	7	-	-	-	3	-	1
MX123 CONN ASSY 73 CKT BLK OPT0 KEY A/30	345663823	C-HSG-A0	G-CAP-0-P	TPA-A0	RS	LS	MAL	CPA	MSEAL	RSEAL	72	71	-	-	68	67	66	65	64	-	62	-	60	59	-	-	-	-	-								
											-	-	50	-	48	47	46	45	-	-	42	-	40	39	38	-	-	35	-	33							
																						-	31	30	29	28	-	-	25	24	23	22	21	20	-	-	17
																						-	-	14	13	12	-	-	9	8	7	6	5	4	-	2	1
MX123 CONN ASSY 73 CKT BLK OPT0 KEY A/37	345663833	C-HSG-A0	G-CAP-0-P	TPA-A0	RS	LS	MAL	CPA	MSEAL	RSEAL	72	71	-	-	68	67	66	65	64	-	-	-	60	59	58	-	-	-	-								
											-	-	50	-	48	47	46	45	-	-	-	-	40	39	38	-	-	35	-	33							
																						-	31	30	-	-	-	25	24	-	22	21	20	-	-	17	
																						-	-	14	-	-	-	9	-	7	6	5	4	-	2	1	
MX123 CONN ASSY 73 CKT BLK OPT0 KEY A/51	345663843	C-HSG-A0	G-CAP-0-P	TPA-A0	RS	LS	MAL	CPA	MSEAL	RSEAL	-	-	-	-	-	-	-	65	-	-	-	61	-	-	58	57	56	-	-	-							
											-	51	50	-	-	47	46	45	-	-	-	-	-	-	38	37	36	-	-	-							
																						-	31	30	-	-	26	-	-	-	22	21	20	-	-	-	
																						-	15	14	-	-	-	10	-	-	-	-	-	-	-	-	-
MX123 CONN ASSY 73 CKT BLK OPT0 KEY A/53	345663853	C-HSG-A0	G-CAP-0-P	TPA-A0	RS	LS	MAL	CPA	MSEAL	RSEAL	-	-	-	-	-	-	-	-	-	-	-	61	-	-	58	57	56	-	-	-							
											-	51	50	-	-	47	46	-	-	-	-	-	-	-	38	37	36	-	-	-							
																						-	31	30	-	-	26	-	-	-	22	21	20	-	-	-	
																						-	15	14	-	-	-	10	-	-	-	-	-	-	-	-	-

ASSEMBLY DESCRIPTION	ASSEMBLY PART NUMBER	CONNECTOR HOUSING	GROMMET CAP	TPA	RIGHT SLIDE	LEFT SLIDE	MATE ASSIST LEVER	CPA	MAT SEAL	RING SEAL	BLOCKED TERMINALS																		STATUS	COMMENTS	INTEGRAL COMPONENTS SOLD SEPARATELY														
											CAVITY WITH A NUMBER INDICATES BLOCKED TERMINAL POSITION CAVITY WITHOUT A NUMBER INDICATES OPEN TERMINAL POSITION																				DRESS COVER														
MX123 CONN ASSY 73 CKT GRY OPT0 KEY B/51	345663863	C-HSG-B0	G-CAP-0-P	TPA-B0	RS	LS	MAL	CPA	MSEAL	RSEAL	-	-	-	69	-	-	-	65	64	63	-	-	-	-	-	-	-	-	-	-	-	-	-	-	-	-	-								
											-	-	-	49	-	-	-	45	44	43	-	-	-	-	-	-	-	-	-	-	-	-	-	-	-	-	-	-	-	-	-	-	-	-	-
											-	-	-	-	-	-	-	-	-	-	-	23	22	21	20	19	18	-	-	-	-	-	-	-	-	-	-	-	-	-	-	-	-	-	-
MX123 CONN ASSY 73 CKT GRY OPT0 KEY B/34	345663873	C-HSG-B0	G-CAP-0-P	TPA-B0	RS	LS	MAL	CPA	MSEAL	RSEAL	72	71	70	69	68	67	66	65	64	-	62	61	60	-	-	-	-	-	-	54	53														
											52	51	-	-	-	47	-	-	44	-	42	41	40	-	-	-	-	-	-	-	-	-	-	-	-	-	-	-	-	-	-	-	-	-	33
											-	-	-	-	32	31	30	-	28	-	26	25	24	-	-	-	20	19	-	17	-	-	-	-	-	-	-	-	-	-	-	-	-	2	1
MX123 CONN ASSY 73 CKT GRY OPT0 KEY B/35	345663883	C-HSG-B0	G-CAP-0-P	TPA-B0	RS	LS	MAL	CPA	MSEAL	RSEAL	72	71	70	69	68	-	-	65	64	63	62	61	60	-	-	-	-	-	54	-															
											52	51	-	-	-	47	46	-	44	43	42	41	40	-	-	-	-	-	-	-	-	-	-	-	-	-	-	-	-	-	-	-	-	-	
											-	-	-	-	32	31	30	-	28	27	26	25	24	-	-	-	20	19	-	17	-	-	-	-	-	-	-	-	-	-	-	-	-	-	2
MX123 CONN ASSY 73 CKT BLU OPT0 KEY C/34	345663893	C-HSG-C0	G-CAP-0-P	TPA-C0	RS	LS	MAL	CPA	MSEAL	RSEAL	-	71	-	69	-	-	-	65	64	-	-	61	60	-	58	-	56	55	54	-															
											-	-	50	49	-	-	-	45	-	43	-	41	40	39	38	37	36	35	-	-	-	-	-	-	-	-	-	-	-	-	-	-	-	-	-
											-	-	-	-	-	31	-	29	28	-	-	-	24	23	-	-	20	19	18	17	-	-	-	-	-	-	-	-	-	-	-	-	-	-	-
MX123 CONN ASSY 73 CKT GRY OPT0 KEY B/54	345663903	C-HSG-B0	G-CAP-0-P	TPA-B0	RS	LS	MAL	CPA	MSEAL	RSEAL	72	71	70	69	68	67	66	-	64	63	62	61	60	-	58	-	56	-	54	-															
											52	51	50	-	-	47	-	45	-	43	42	41	40	-	38	-	36	-	34	-	-	-	-	-	-	-	-	-	-	-	-	-	-	-	
											-	-	-	-	32	31	30	-	27	26	25	-	-	22	-	20	19	18	17	-	-	-	-	-	-	-	-	-	-	-	-	-	-	-	-
MX123 CONN ASSY 73 CKT BLK OPT0 KEY A/39	345663913	C-HSG-A0	G-CAP-0-P	TPA-A0	RS	LS	MAL	CPA	MSEAL	RSEAL	72	-	-	-	68	67	66	65	-	-	62	61	-	59	-	-	-	-	-	-	-														
											-	-	50	-	48	47	46	-	-	-	-	-	40	39	38	-	-	35	-	33	-	-	-	-	-	-	-	-	-	-	-	-	-	-	
											-	-	-	-	-	31	-	29	-	27	-	25	24	-	22	-	20	-	-	17	-	-	-	-	-	-	-	-	-	-	-	-	-	-	-
MX123 CONN ASSY 73 CKT GRY OPT0 KEY B/36	345663923	C-HSG-B0	G-CAP-0-P	TPA-B0	RS	LS	MAL	CPA	MSEAL	RSEAL	-	71	-	69	-	67	-	65	64	63	62	61	-	-	58	57	56	-	-	-															
											-	51	-	49	-	47	-	45	44	43	42	41	-	-	38	37	36	-	-	-	-	-	-	-	-	-	-	-	-	-	-	-	-	-	-
											-	-	-	-	-	-	-	-	-	-	-	-	-	-	22	21	20	-	-	17	-	-	-	-	-	-	-	-	-	-	-	-	-	-	-
MX123 CONN ASSY 73 CKT BLK OPT0 KEY A/35	345663933	C-HSG-A0	G-CAP-0-P	TPA-A0	RS	LS	MAL	CPA	MSEAL	RSEAL	72	-	-	-	68	67	66	65	-	-	62	61	-	59	-	-	-	-	-	-															
											-	-	50	-	48	47	46	-	-	-	-	-	40	39	38	-	-	35	-	33	-	-	-	-	-	-	-	-	-	-	-	-	-	-	
											-	-	-	-	-	31	-	29	-	27	-	25	24	23	22	21	20	-	-	17	-	-	-	-	-	-	-	-	-	-	-	-	-	-	-
MX123 CONN ASSY 73 CKT BLU OPT0 KEY C/32	345663943	C-HSG-C0	G-CAP-0-P	TPA-C0	RS	LS	MAL	CPA	MSEAL	RSEAL	-	71	-	69	-	67	-	65	64	63	62	61	-	-	58	57	56	-	-	-															
											-	51	-	49	-	47	-	45	44	43	42	41	-	-	38	37	36	-	-	-	-	-	-	-	-	-	-	-	-	-	-	-	-	-	-
											-	-	-	-	-	-	-	-	-	-	-	-	-	23	22	21	20	19	18	17	-	-	-	-	-	-	-	-	-	-	-	-	-	-	-
MX123 CONN ASSY 73 CKT BLU OPT0 KEY C/35	345663953	C-HSG-C0	G-CAP-0-P	TPA-C0	RS	LS	MAL	CPA	MSEAL	RSEAL	-	71	-	69	-	67	66	65	64	-	-	61	60	-	58	-	56	55	54	-															
											-	-	50	49	-	-	-	45	-	43	-	41	-	-	38	37	36	35	-	-	-	-	-	-	-	-	-	-	-	-	-	-	-	-	-
											-	-	-	-	-	31	-	29	28	27	-	-	24	-	-	-	-	-	19	18	17	-	-	-	-	-	-	-	-	-	-	-	-	-	-
MX123 CONN ASSY 73 CKT BLU OPT0 KEY C/36	345663963	C-HSG-C0	G-CAP-0-P	TPA-C0	RS	LS	MAL	CPA	MSEAL	RSEAL	-	71	-	69	-	-	-	65	64	-	-	61	60	-	58	-	56	55	54	-															
											-	-	50	49	-	-	-	45	-	43	-	41	-	-	-	37	36	35	-	-	-	-	-	-	-	-	-	-	-	-	-	-	-	-	-
											-	-	-	-	-	31	-	29	28	27	-	-	24	23	-	-	20	19	18	17	-	-	-	-	-	-	-	-	-	-	-	-	-	-	-
MX123 CONN ASSY 73 CKT BLU OPT0 KEY C/33	345663973	C-HSG-C0	G-CAP-0-P	TPA-C0	RS	LS	MAL	CPA	MSEAL	RSEAL	-	71	-	69	-	-	66	65	64	-	-	61	60	-	58	-	56	55	54	-															
											-	-	50	49	-	-	-	45	-	43	-	41	-	-	-	37	36	35	-	-	-	-	-	-	-	-	-	-	-	-	-	-	-	-	-
											-	-	-	-	-	31	-	29	28	27	-	-	24	23	-	-	20	19	18	17	-	-	-	-	-	-	-	-	-	-	-	-	-	-	-

ASSEMBLY DESCRIPTION	ASSEMBLY PART NUMBER	CONNECTOR HOUSING	GROMMET CAP	TPA	RIGHT SLIDE	LEFT SLIDE	MATE ASSIST LEVER	CPA	MAT SEAL	RING SEAL	BLOCKED TERMINALS																		STATUS	COMMENTS	INTEGRAL COMPONENTS SOLD SEPARATELY									
											CAVITY WITH A NUMBER INDICATES BLOCKED TERMINAL POSITION CAVITY WITHOUT A NUMBER INDICATES OPEN TERMINAL POSITION																				DRESS COVER									
MX123 CONN ASSY 73 CKT BLK OPT0 KEY A/38	345663983	C-HSG-A0	G-CAP-0-P	TPA-A0	RS	LS	MAL	CPA	MSEAL	RSEAL	-	-	-	-	68	67	66	65	-	-	62	61	-	-	-	-	-	-	-	-	-	-	-	-	-	-	SALEABLE		345650003	
MX123 CONN ASSY 73 CKT BLK OPT0 KEY A/38	345663993	C-HSG-A0	G-CAP-0-P	TPA-A0	RS	LS	MAL	CPA	MSEAL	RSEAL	72	71	-	-	68	67	66	65	64	-	-	-	-	59	-	-	-	-	-	-	-	-	-	-	-	-	SALEABLE		345650003	
MX123 CONN ASSY 73 CKT GRY OPT0 KEY B/44	345664003	C-HSG-B0	G-CAP-0-P	TPA-B0	RS	LS	MAL	CPA	MSEAL	RSEAL	72	71	70	69	68	-	-	65	-	-	62	61	60	-	58	-	56	-	54	-	-	-	-	-	-	SALEABLE		345650003		
MX123 CONN ASSY 73 CKT GRY OPT0 KEY B/34	345664013	C-HSG-B0	G-CAP-0-P	TPA-B0	RS	LS	MAL	CPA	MSEAL	RSEAL	-	71	-	69	-	67	-	65	64	63	62	61	-	-	58	57	56	-	-	-	-	-	-	-	-	-	SALEABLE		345650003	
MX123 CONN ASSY 73 CKT GRY OPT0 KEY B/49	345664023	C-HSG-B0	G-CAP-0-P	TPA-B0	RS	LS	MAL	CPA	MSEAL	RSEAL	-	-	-	69	-	-	-	65	64	63	-	-	-	-	-	-	-	-	-	-	-	-	-	-	-	-	SALEABLE		345650003	
MX123 CONN ASSY 73 CKT BLU OPT0 KEY C/36	345664033	C-HSG-C0	G-CAP-0-P	TPA-C0	RS	LS	MAL	CPA	MSEAL	RSEAL	-	71	-	69	-	67	66	65	64	-	-	61	60	-	-	-	56	55	54	-	-	-	-	-	-	-	SALEABLE		345650003	
MX123 CONN ASSY 73 CKT BLK OPT0 KEY A/36	345664043	C-HSG-A0	G-CAP-0-P	TPA-A0	RS	LS	MAL	CPA	MSEAL	RSEAL	72	-	-	-	68	-	66	65	-	-	62	61	-	59	58	-	-	-	-	-	-	-	-	-	-	-	SALEABLE		345650003	
MX123 CONN ASSY 73 CKT BLK OPT0 KEY A/43	345664053	C-HSG-A0	G-CAP-0-P	TPA-A0	RS	LS	MAL	CPA	MSEAL	RSEAL	-	71	70	-	68	-	-	-	64	-	-	61	60	-	59	58	-	-	55	54	-	-	-	-	-	-	SALEABLE		345650003	
MX123 CONN ASSY 73 CKT GRY OPT0 KEY B/24	345664063	C-HSG-B0	G-CAP-0-P	TPA-B0	RS	LS	MAL	CPA	MSEAL	RSEAL	72	71	70	69	-	-	66	65	-	63	62	61	60	-	-	57	56	55	-	53	-	-	-	-	-	-	SALEABLE		345650003	
MX123 CONN ASSY 73 CKT BLK OPT0 KEY A/36	345664073	C-HSG-A0	G-CAP-0-P	TPA-A0	RS	LS	MAL	CPA	MSEAL	RSEAL	-	71	-	69	68	67	-	65	64	-	-	61	60	-	58	-	-	-	-	54	-	-	-	-	-	-	-	SALEABLE		345650003
MX123 CONN ASSY 73 CKT BLU OPT0 KEY C/42	345664083	C-HSG-C0	G-CAP-0-P	TPA-C0	RS	LS	MAL	CPA	MSEAL	RSEAL	-	-	50	49	-	-	46	45	-	43	-	41	-	-	-	-	-	35	-	-	-	-	-	-	-	-	-	SALEABLE		345650003
MX123 CONN ASSY 73 CKT BLK OPT0 KEY A/37	345664093	C-HSG-A0	G-CAP-0-P	TPA-A0	RS	LS	MAL	CPA	MSEAL	RSEAL	72	-	-	-	68	-	66	65	-	-	62	61	-	59	58	-	-	-	-	-	-	-	-	-	-	-	-	SALEABLE		345650003

ASSEMBLY DESCRIPTION	ASSEMBLY PART NUMBER	CONNECTOR HOUSING	GROMMET CAP	TPA	RIGHT SLIDE	LEFT SLIDE	MATE ASSIST LEVER	CPA	MAT SEAL	RING SEAL	BLOCKED TERMINALS																				STATUS	COMMENTS	INTEGRAL COMPONENTS SOLD SEPARATELY
											CAVITY WITH A NUMBER INDICATES BLOCKED TERMINAL POSITION																						DRESS COVER
											CAVITY WITHOUT A NUMBER INDICATES OPEN TERMINAL POSITION																						
MX123 CONN ASSY 73 CKT BLK OPT0 KEY A/29	345664103	C-HSG-A0	G-CAP-0-P	TPA-A0	RS	LS	MAL	CPA	MSEAL	RSEAL	-	-	70	-	-	-	-	65	-	-	-	61	-	-	58	57	56	55	54	53	SALEABLE		345650003
											-	51	50	-	-	47	-	-	-	-	41	-	-	38	37	36	-	34	-				
															-	31	30	-	28	-	-	25	-	-	22	21	20	19	18	-			
				16	15	-	-	-	-	-	-	-	-	-	-	-	-	-	-	-	-												
MX123 CONN ASSY 73 CKT GRY OPT0 KEY B/19	345664113	C-HSG-B0	G-CAP-0-P	TPA-B0	RS	LS	MAL	CPA	MSEAL	RSEAL	72	71	70	69	-	-	66	65	-	63	62	61	60	59	-	57	56	55	54	53	SALEABLE		345650003
											52	51	50	49	48	47	-	-	44	43	42	41	40	39	-	37	36	35	34	33			
															-	31	-	-	-	-	26	25	24	23	-	21	20	19	18	-			
				16	-	14	-	12	11	-	9	8	7	6	5	4	3	2	-	-													
MX123 CONN ASSY 73 CKT BLK OPT9 KEY A/42	345664123	C-HSG-A9	G-CAP-9-P	TPA-A9	RS	LS	MAL	CPA	MSEAL	RSEAL	-	71	70	-	68	-	-	-	64	-	62	61	-	59	58	-	-	55	54	-	SALEABLE		345650003
											52	51	50	-	48	-	-	45	-	-	41	-	39	38	-	-	-	34	-				
															-	32	-	-	-	27	-	25	-	23	22	-	-	19	18	-			
				-	-	-	-	12	-	-	9	8	7	6	-	-	-	-	-	-													
MX123 CONN ASSY 73 CKT GRY OPT9 KEY B/25	345664133	C-HSG-B9	G-CAP-9-P	TPA-B9	RS	LS	MAL	CPA	MSEAL	RSEAL	72	71	70	69	-	-	66	65	-	63	62	61	60	-	-	57	56	55	-	53	SALEABLE		345650003
											52	51	50	49	48	47	-	-	44	43	42	41	40	-	-	37	36	35	34	33			
															-	31	-	-	-	-	26	25	24	-	-	21	20	19	18	-			
				16	-	14	-	12	11	-	-	-	7	6	5	4	3	2	-	-													
MX123 CONN ASSY 73 CKT GRY OPT0 KEY B/22	345664143	C-HSG-B0	G-CAP-0-P	TPA-B0	RS	LS	MAL	CPA	MSEAL	RSEAL	72	71	70	69	-	-	66	65	-	63	62	61	60	-	-	57	56	55	-	53	SALEABLE		345650003
											52	51	50	49	48	47	-	-	44	43	42	41	40	-	-	37	36	35	34	33			
															-	31	-	-	-	-	26	25	24	-	-	21	20	19	18	-			
				16	15	14	13	12	11	-	-	8	7	6	5	4	3	2	-	-													
MX123 CONN ASSY 73 CKT GRY OPT0 KEY B/37	345664153	C-HSG-B0	G-CAP-0-P	TPA-B0	RS	LS	MAL	CPA	MSEAL	RSEAL	-	71	-	69	-	67	-	65	64	63	62	61	-	-	58	57	56	-	-	-	SALEABLE		345650003
											-	51	-	49	-	47	-	45	-	43	42	41	-	-	38	37	36	-	-	-			
															-	-	-	-	-	-	-	-	-	22	21	20	-	-	17	-			
				-	15	14	13	12	11	-	-	-	-	6	5	4	3	2	1	-	-												
MX123 CONN ASSY 73 CKT GRY OPT0 KEY B/35	345664163	C-HSG-B0	G-CAP-0-P	TPA-B0	RS	LS	MAL	CPA	MSEAL	RSEAL	-	71	-	69	-	67	-	65	64	63	62	61	-	-	58	57	56	-	-	-	SALEABLE		345650003
											-	51	-	49	-	47	-	45	44	43	42	41	-	-	38	37	36	-	-	-			
															-	-	-	-	-	-	-	-	23	22	21	20	19	18	-	-			
				-	15	14	13	12	11	-	9	-	-	6	5	4	3	-	-	-													
MX123 CONN ASSY 73 CKT BLK OPT0 KEY A/42	345664173	C-HSG-A0	G-CAP-0-P	TPA-A0	RS	LS	MAL	CPA	MSEAL	RSEAL	-	-	-	-	68	67	66	65	-	-	62	61	-	-	-	57	-	-	-	-	SALEABLE		345650003
											-	-	50	-	48	-	46	-	-	-	-	40	39	-	37	-	35	-	33	-			
															-	31	-	29	-	27	-	-	24	23	22	-	20	-	-	17			
				-	-	14	13	-	11	-	-	-	7	6	-	4	-	2	1	-	-												
MX123 CONN ASSY 73 CKT BLU OPT0 KEY C/41	345664183	C-HSG-C0	G-CAP-0-P	TPA-C0	RS	LS	MAL	CPA	MSEAL	RSEAL	-	71	-	69	-	67	-	65	64	-	-	61	60	-	-	-	56	55	54	-	SALEABLE		345650003
											-	-	50	49	-	-	-	45	-	43	-	41	-	-	38	37	36	35	-	-			
															-	31	-	29	28	27	-	-	24	-	-	-	-	19	18	-			
				16	-	-	-	12	11	-	-	8	-	-	-	-	3	2	-	-	-												
MX123 CONN ASSY 73 CKT BLU OPT0 KEY C/38	345664193	C-HSG-C0	G-CAP-0-P	TPA-C0	RS	LS	MAL	CPA	MSEAL	RSEAL	72	-	70	-	68	67	66	-	-	63	62	-	-	59	-	57	-	-	-	53	SALEABLE		345650003
											52	51	-	-	48	47	46	-	44	-	42	-	40	39	-	-	-	-	34	33			
															32	-	30	-	-	27	26	25	-	-	22	21	-	-	-	-			
				-	15	14	-	-	-	10	9	-	-	6	5	4	-	-	-	-	-												
MX123 CONN ASSY 73 CKT GRY OPT0 KEY B/48	345664203	C-HSG-B0	G-CAP-0-P	TPA-B0	RS	LS	MAL	CPA	MSEAL	RSEAL	72	71	70	69	68	67	66	65	-	63	62	61	60	-	58	-	56	-	54	-	SALEABLE		345650003
											52	51	-	-	-	47	-	45	44	43	42	41	40	-	38	-	36	-	34	-			
															-	31	30	-	28	27	26	25	-	-	22	-	20	19	-	17			
				16	-	14	13	12	11	10	9	8	-	-	-	-	-	2	1	-	-												
MX123 CONN ASSY 73 CKT BLK OPT0 KEY A/36	345664213	C-HSG-A0	G-CAP-0-P	TPA-A0	RS	LS	MAL	CPA	MSEAL	RSEAL	-	-	70	69	-	-	-	-	-	63	62	61	-	-	-	57	56	55	54	53	SALEABLE		345650003
											52	51	-	49	-	-	-	44	43	42	41	-	-	-	37	36	-	34	33				
															32	-	-	29	28	27	26	-	-	23	-	-	-	19	18	-			
				16	15	-	13	12	11	10	-	8	-	-	-	-	3	-	-	-	-												



ASSEMBLY DESCRIPTION	ASSEMBLY PART NUMBER	CONNECTOR HOUSING	GROMMET CAP	TPA	RIGHT SLIDE	LEFT SLIDE	MATE ASSIST LEVER	CPA	MAT SEAL	RING SEAL	BLOCKED TERMINALS																				STATUS	COMMENTS	INTEGRAL COMPONENTS SOLD SEPARATELY
											CAVITY WITH A NUMBER INDICATES BLOCKED TERMINAL POSITION																						DRESS COVER
											CAVITY WITHOUT A NUMBER INDICATES OPEN TERMINAL POSITION																						
MX123 CONN ASSY 73 CKT BLK OPT0 KEY A/38	345664223	C-HSG-A0	G-CAP-0-P	TPA-A0	RS	LS	MAL	CPA	MSEAL	RSEAL	-	-	70	69	-	-	-	-	-	63	62	61	-	-	58	57	56	55	54	53	SALEABLE		345650003
											52	51	-	49	-	-	-	-	44	43	42	41	-	-	-	37	36	-	34	-			
															32	-	-	29	28	27	26	-	-	-	-	-	19	18	-				
															16	15	-	13	12	11	10	-	-	-	-	-	3	-	-				
MX123 CONN ASSY 73 CKT GRY OPT0 KEY B/23	345664233	C-HSG-B0	G-CAP-0-P	TPA-B0	RS	LS	MAL	CPA	MSEAL	RSEAL	72	71	70	-	68	67	66	-	-	-	62	61	60	59	58	57	56	55	54	53	SALEABLE		345650003
											52	51	50	-	48	47	46	-	-	-	42	41	40	39	38	37	36	35	34	33			
															32	31	30	29	28	27	26	25	24	-	-	-	-	-	17				
															16	15	14	13	-	-	10	-	8	-	-	-	-	-	2	1			
MX123 CONN ASSY 73 CKT BLK OPT0 KEY A/21	345664243	C-HSG-A0	G-CAP-0-P	TPA-A0	RS	LS	MAL	CPA	MSEAL	RSEAL	72	71	70	69	68	67	66	65	64	63	62	-	60	59	-	-	-	55	54	53	SALEABLE		345650003
											52	-	-	49	48	-	-	45	44	43	42	41	40	39	-	-	-	35	34	33			
															32	-	-	29	28	27	-	25	24	23	-	-	-	19	18	17			
															16	-	-	13	12	11	-	9	8	7	6	5	4	3	2	1			
MX123 CONN ASSY 73 CKT BLK OPT0 KEY A/23	345664253	C-HSG-A0	G-CAP-0-P	TPA-A0	RS	LS	MAL	CPA	MSEAL	RSEAL	72	71	70	69	68	67	66	-	64	63	62	-	60	59	-	-	-	55	54	53	SALEABLE		345650003
											52	-	-	49	48	-	-	-	44	43	42	41	40	39	-	-	-	35	34	33			
															32	-	-	29	28	27	-	25	24	23	-	-	-	19	18	17			
															16	-	-	13	12	11	-	9	8	7	6	5	4	3	2	1			
MX123 CONN ASSY 73 CKT GRY OPT0 KEY B/36	345664263	C-HSG-B0	G-CAP-0-P	TPA-B0	RS	LS	MAL	CPA	MSEAL	RSEAL	-	-	-	-	-	67	66	-	-	63	-	-	-	59	58	57	56	55	-	53	SALEABLE		345650003
											-	-	50	49	48	-	-	45	-	43	-	-	-	39	38	37	36	35	34	33			
															-	-	-	29	-	27	-	-	-	23	22	21	-	-	18	-			
															16	15	14	13	-	-	-	-	8	7	6	5	4	3	-	-			
MX123 CONN ASSY 73 CKT GRY OPT0 KEY B/40	345664273	C-HSG-B0	G-CAP-0-P	TPA-B0	RS	LS	MAL	CPA	MSEAL	RSEAL	-	-	-	-	-	-	-	-	-	63	-	-	-	59	58	57	56	55	-	53	SALEABLE		345650003
											-	-	50	49	48	-	46	-	-	43	-	-	-	39	38	37	36	35	34	33			
															-	-	-	29	-	27	-	-	-	23	22	21	-	-	18	-			
															16	15	14	-	-	-	-	-	7	6	5	4	3	-	-				
MX123 CONN ASSY 73 CKT BLK OPT0 KEY A/38	345664283	C-HSG-A0	G-CAP-0-P	TPA-A0	RS	LS	MAL	CPA	MSEAL	RSEAL	72	71	-	-	68	67	66	65	64	-	-	-	-	59	58	-	-	-	-	-	SALEABLE		345650003
											-	-	50	-	48	47	46	45	-	-	-	-	40	39	38	-	-	35	-	33			
															-	31	30	-	-	-	-	25	24	-	22	21	20	-	-	17			
															-	-	14	-	-	-	-	9	-	7	6	5	4	-	2	1			
MX123 CONN ASSY 73 CKT GRY OPT0 KEY B/38	345664293	C-HSG-B0	G-CAP-0-P	TPA-B0	RS	LS	MAL	CPA	MSEAL	RSEAL	72	71	70	69	68	-	-	65	64	-	62	61	60	-	-	-	-	-	54	-	SALEABLE		345650003
											52	51	-	-	-	47	46	-	44	-	42	41	40	-	-	-	-	-	-	-			
															32	31	30	-	28	-	26	25	24	-	-	-	20	19	-	17			
															-	-	-	-	12	11	10	9	-	-	-	-	-	-	2	1			
MX123 CONN ASSY 73 CKT BLK OPT0 KEY A/33	345664303	C-HSG-A0	G-CAP-0-P	TPA-A0	RS	LS	MAL	CPA	MSEAL	RSEAL	72	71	-	-	-	-	66	-	-	-	62	-	60	-	-	-	-	55	54	53	SALEABLE		345650003
											52	51	-	-	-	-	46	45	44	43	42	-	40	39	-	-	-	35	-	-			
															-	-	-	-	-	-	26	25	-	-	22	21	-	-	17				
															-	15	14	-	-	-	-	-	8	7	6	5	4	3	2	-			
MX123 CONN ASSY 73 CKT GRY OPT0 KEY B/35	345664313	C-HSG-B0	G-CAP-0-P	TPA-B0	RS	LS	MAL	CPA	MSEAL	RSEAL	72	71	70	69	68	67	66	65	64	-	62	61	60	-	-	-	-	-	54	-	SALEABLE		345650003
											52	51	-	-	-	47	-	45	44	-	42	41	40	-	-	-	-	-	-	-			
															32	31	30	-	28	-	26	25	24	-	-	-	20	19	-	17			
															-	-	-	-	12	11	10	9	8	-	-	-	-	-	2	1			
MX123 CONN ASSY 73 CKT GRY OPT0 KEY B/37	345664323	C-HSG-B0	G-CAP-0-P	TPA-B0	RS	LS	MAL	CPA	MSEAL	RSEAL	-	71	-	69	-	67	-	65	64	63	62	61	-	-	58	57	56	-	-	-	SALEABLE		345650003
											-	51	-	49	-	47	-	45	44	43	42	41	-	-	38	37	36	-	-	-			
															-	-	-	-	-	-	-	-	-	23	22	21	20	-	-	-			
															-	15	14	13	12	11	-	9	-	-	6	5	4	3	-	-			
MX123 CONN ASSY 73 CKT BLK OPT0 KEY A/40	345664333	C-HSG-A0	G-CAP-0-P	TPA-A0	RS	LS	MAL	CPA	MSEAL	RSEAL	-	-	-	-	68	-	66	65	-	-	62	61	-	-	58	57	-	-	-	SALEABLE		345650003	
											-	-	50	-	48	-	46	-	-	-	-	40	39	-	37	-	35	-	33				
															-	31	-	29	-	27	-	-	24	-	22	21	20	-	-				17
															-	-	14	13	-	11	-	-	8	7	6	5	4	-	2				1

ASSEMBLY DESCRIPTION	ASSEMBLY PART NUMBER	CONNECTOR HOUSING	GROMMET CAP	TPA	RIGHT SLIDE	LEFT SLIDE	MATE ASSIST LEVER	CPA	MAT SEAL	RING SEAL	BLOCKED TERMINALS																STATUS	COMMENTS	INTEGRAL COMPONENTS SOLD SEPARATELY														
											CAVITY WITH A NUMBER INDICATES BLOCKED TERMINAL POSITION																		DRESS COVER														
											CAVITY WITHOUT A NUMBER INDICATES OPEN TERMINAL POSITION																																
MX123 CONN ASSY 73 CKT BLK OPT0 KEY A/39	345664343	C-HSG-A0	G-CAP-0-P	TPA-A0	RS	LS	MAL	CPA	MSEAL	RSEAL	-	-	-	-	68	67	66	65	-	-	62	61	-	-	-	57	-	-	-	-													
											-	-	50	-	48	-	46	-	-	-	-	40	39	-	37	-	35	-	33														
											-																-	-	-	-	-	-	-	-	-	-	-	-	-	-	-	-	-
											-																-	-	14	13	-	11	-	-	8	7	6	5	4	-	2	1	
MX123 CONN ASSY 73 CKT BLU OPT0 KEY C/37	345664353	C-HSG-C0	G-CAP-0-P	TPA-C0	RS	LS	MAL	CPA	MSEAL	RSEAL	-	71	-	69	-	67	66	65	64	-	-	61	60	-	-	-	56	55	54	-													
											-	-	50	49	-	-	46	45	-	43	-	41	-	-	38	37	36	35	-	-													
											-																-	-	-	-	-	-	-	-	-	-	-	-	-	-	-	-	-
											-																16	-	-	-	12	11	10	9	8	-	-	-	-	-	3	2	-
MX123 CONN ASSY 73 CKT BLK OPT0 KEY A/39	345664363	C-HSG-A0	G-CAP-0-P	TPA-A0	RS	LS	MAL	CPA	MSEAL	RSEAL	72	71	-	-	68	67	66	65	64	-	-	-	59	-	-	-	-	-															
											-	-	50	-	48	47	46	45	-	-	-	40	39	38	-	-	35	-	33														
											-																-	-	-	-	-	-	-	-	-	-	-	-	-	-	-	-	-
											-																-	-	14	-	-	-	-	-	9	-	7	6	5	4	-	2	1
MX123 CONN ASSY 73 CKT BLK OPT0 KEY A/30	345664373	C-HSG-A0	G-CAP-0-P	TPA-A0	RS	LS	MAL	CPA	MSEAL	RSEAL	72	71	-	-	68	67	66	65	64	-	62	61	60	59	-	57	-	55	-	53													
											-	-	50	-	48	-	46	45	-	-	-	-	39	38	37	-	35	-	33														
											-																-	-	-	-	-	-	-	-	-	-	-	-	-	-	-	-	-
											-																-	15	14	13	-	11	-	9	8	7	6	5	4	-	-	-	-
MX123 CONN ASSY 73 CKT BLK OPT0 KEY A/29	345664403	C-HSG-A0	G-CAP-0-P	TPA-A0	RS	LS	MAL	CPA	MSEAL	RSEAL	-	-	-	-	-	-	-	-	-	-	62	-	60	-	-	-	-	55	54	53													
											52	51	-	-	-	-	46	45	44	43	42	-	40	39	-	-	-	35	-	-													
											-																-	-	-	-	-	-	26	25	-	-	22	21	-	-	-	-	17
											-																-	15	14	-	-	-	-	-	8	7	-	5	-	3	2	1	
MX123 CONN ASSY 73 CKT GRY OPT0 KEY B/34	345664413	C-HSG-B0	G-CAP-0-P	TPA-B0	RS	LS	MAL	CPA	MSEAL	RSEAL	72	71	70	69	68	67	66	65	64	-	62	61	60	-	-	-	-	-	54	-													
											52	51	-	-	-	47	-	45	44	-	42	41	40	-	-	-	-	-	-	-													
											-																32	31	30	-	28	-	26	25	24	-	-	-	20	19	-	17	
											-																-	-	-	13	12	11	10	9	8	-	-	-	-	-	-	2	1
MX123 CONN ASSY 73 CKT BLU OPT9 KEY C/42	345664423	C-HSG-C9	G-CAP-9-P	TPA-C9	RS	LS	MAL	CPA	MSEAL	RSEAL	-	71	-	69	-	-	-	65	64	-	-	61	60	-	58	-	56	55	54	-													
											-	-	50	49	-	-	-	45	-	43	-	41	-	-	-	-	-	35	-	-													
											-																-	-	-	-	-	-	-	-	-	23	-	-	20	19	18	17	
											-																16	-	-	13	12	11	-	-	-	7	-	-	-	3	-	1	
MX123 CONN ASSY 73 CKT BLK OPT9 KEY A/40	345664433	C-HSG-A9	G-CAP-9-P	TPA-A9	RS	LS	MAL	CPA	MSEAL	RSEAL	72	71	-	-	68	67	66	65	64	-	-	-	-	59	-	-	-	-	-														
											-	-	-	-	48	47	46	45	-	-	-	-	39	38	-	-	35	-	33														
											-																-	-	-	-	-	-	-	-	-	-	-	-	-	-	-	-	-
											-																-	-	-	-	-	-	-	9	8	7	6	5	4	-	2	1	
MX123 CONN ASSY 73 CKT BLK OPT9 KEY A/32	345664443	C-HSG-A9	G-CAP-9-P	TPA-A9	RS	LS	MAL	CPA	MSEAL	RSEAL	72	71	70	69	68	-	-	65	64	63	62	61	60	59	58	57	56	55	54	53													
											52	51	50	49	-	-	46	45	44	43	42	-	40	39	38	37	36	35	34	33													
											-																-	-	-	-	28	-	-	-	24	23	-	-	20	-	-	-	
											-																-	-	-	-	12	-	-	-	-	-	-	-	-	-	-	2	-
MX123 CONN ASSY 73 CKT BLK OPT0 KEY A/45	345664453	C-HSG-A0	G-CAP-0-P	TPA-A0	RS	LS	MAL	CPA	MSEAL	RSEAL	-	-	-	-	-	67	66	-	-	-	-	-	-	-	-	-	-	-															
											-	-	-	-	-	47	-	-	-	-	41	-	-	-	-	-	-	-	-														
											-																32	31	30	29	-	27	26	25	-	-	22	21	-	19	18	17	
											-																16	15	14	13	-	-	10	9	8	7	6	5	4	3	-	-	
MX123 CONN ASSY 73 CKT GRY OPT9 KEY B/18	345664463	C-HSG-B9	G-CAP-9-P	TPA-B9	RS	LS	MAL	CPA	MSEAL	RSEAL	72	71	70	69	68	67	66	65	64	-	62	61	60	59	58	57	56	55	54	-													
											52	51	50	49	-	-	46	-	44	-	41	40	-	38	37	36	-	-	-														
											-																32	31	30	29	28	27	-	25	24	-	-	21	20	-	18	17	
											-																16	15	14	13	12	-	10	9	8	7	6	5	4	3	2	-	
MX123 CONN ASSY 73 CKT GRY OPT0 KEY B/21	345664473	C-HSG-B0	G-CAP-0-P	TPA-B0	RS	LS	MAL	CPA	MSEAL	RSEAL	72	71	70	69	68	67	66	65	-	-	-	61	60	-	-	57	56	55	54	-													
											52	51	50	49	48	-	46	-	44	-	41	40	-	38	37	36	-	-	-														
											-																32	31	30	29	28	27	-	24	-	-	21	20	19	18	17		
											-																16	15	14	13	12	11	10	9	8	7	6	5	4	-	2	-	



ASSEMBLY DESCRIPTION	ASSEMBLY PART NUMBER	CONNECTOR HOUSING	GROMMET CAP	TPA	RIGHT SLIDE	LEFT SLIDE	MATE ASSIST LEVER	CPA	MAT SEAL	RING SEAL	BLOCKED TERMINALS																		STATUS	COMMENTS	INTEGRAL COMPONENTS SOLD SEPARATELY	
											CAVITY WITH A NUMBER INDICATES BLOCKED TERMINAL POSITION																				DRESS COVER	
											CAVITY WITHOUT A NUMBER INDICATES OPEN TERMINAL POSITION																					
MX123 CONN ASSY 73 CKT BLU OPT9 KEY C/54	345664483	C-HSG-C9	G-CAP-9-P	TPA-C9	RS	LS	MAL	CPA	MSEAL	RSEAL	-	71	-	69	-	-	-	65	64	-	-	61	60	-	-	-	-	-	54	-		
											-	-	50	-	-	-	-	45	-	43	42	41	-	-	-	-	-	-	-	35	-	-
																						-	31	-	29	28	-	-	-	-	-	-
											-	-	-	-	16	-	-	-	12	11	-	-	-	-	-	-	-	-	-	-	-	
MX123 CONN ASSY 73 CKT BLK OPT9 KEY A/58	345664493	C-HSG-A9	G-CAP-9-P	TPA-A9	RS	LS	MAL	CPA	MSEAL	RSEAL	-	-	-	-	68	-	66	65	-	-	-	-	-	-	-	-	-	-	-			
											-	-	-	-	-	-	46	-	-	-	-	-	-	38	-	-	35	-	33			
																						-	31	-	-	-	-	25	-	-	22	-
											-	-	-	-	-	-	-	9	-	7	6	-	4	-	-	-	-					
MX123 CONN ASSY 73 CKT GRY OPT9 KEY B/56	345664513	C-HSG-B9	G-CAP-9-P	TPA-B9	RS	LS	MAL	CPA	MSEAL	RSEAL	-	-	-	69	-	-	-	65	64	63	-	-	-	-	-	-	-	-	-			
											-	-	-	49	-	-	-	45	44	43	-	-	-	-	-	-	-	-	-			
																						-	-	-	-	-	-	-	-	22	21	20
											-	-	-	-	12	11	-	9	-	-	6	5	4	-	-	-						
MX123 CONN ASSY 73 CKT BLK OPT0 KEY A/38	345664533	C-HSG-A0	G-CAP-0-P	TPA-A0	RS	LS	MAL	CPA	MSEAL	RSEAL	-	71	70	-	68	-	66	-	64	-	62	61	-	59	58	-	-	55	54	-		
											52	51	50	-	48	-	46	45	-	-	42	41	-	39	38	-	-	-	34	-		
																						32	-	-	-	-	27	26	25	-	23	22
											-	-	-	-	12	-	-	9	8	7	6	-	-	-	-	-						
MX123 CONN ASSY 73 CKT GRY OPT0 KEY B/27	345664543	C-HSG-B0	G-CAP-0-P	TPA-B0	RS	LS	MAL	CPA	MSEAL	RSEAL	72	71	70	69	-	-	66	65	-	-	62	61	60	59	-	-	56	-	54	-		
											52	51	50	49	48	47	-	-	44	-	42	41	40	39	-	-	36	-	34	33		
																						-	31	-	-	-	-	26	25	24	23	-
											16	15	14	13	-	11	-	9	8	7	6	5	4	3	2	-						
MX123 CONN ASSY 73 CKT GRY OPT0 KEY B/23	345664553	C-HSG-B0	G-CAP-0-P	TPA-B0	RS	LS	MAL	CPA	MSEAL	RSEAL	72	71	70	69	-	-	66	65	-	-	62	61	60	59	-	-	56	55	54	-		
											52	51	50	49	48	47	-	-	44	-	42	41	40	39	-	-	36	35	34	33		
																						-	31	-	-	-	-	26	25	24	23	-
											16	15	14	13	-	11	-	9	8	7	6	5	4	3	2	1						
MX123 CONN ASSY 73 CKT GRY OPT0 KEY B/24	345664563	C-HSG-B0	G-CAP-0-P	TPA-B0	RS	LS	MAL	CPA	MSEAL	RSEAL	72	71	70	69	-	-	66	65	-	-	62	61	60	59	-	57	56	-	54	-		
											52	51	50	49	48	47	-	-	44	-	42	41	40	39	-	37	36	-	34	33		
																						-	31	-	-	-	-	26	25	24	23	-
											16	15	14	13	-	11	-	9	8	7	6	5	4	3	2	-						
MX123 CONN ASSY 73 CKT GRY OPT0 KEY B/20	345664573	C-HSG-B0	G-CAP-0-P	TPA-B0	RS	LS	MAL	CPA	MSEAL	RSEAL	72	71	70	69	-	-	66	65	-	-	62	61	60	59	-	57	56	55	54	-		
											52	51	50	49	48	47	-	-	44	-	42	41	40	39	-	37	36	35	34	33		
																						-	31	-	-	-	-	26	25	24	23	-
											16	15	14	13	-	11	-	9	8	7	6	5	4	3	2	1						
MX123 CONN ASSY 73 CKT GRY OPT0 KEY B/19	345664583	C-HSG-B0	G-CAP-0-P	TPA-B0	RS	LS	MAL	CPA	MSEAL	RSEAL	72	71	70	69	-	-	66	65	-	63	62	61	60	59	-	57	56	55	54	-		
											52	51	50	49	48	47	-	-	44	43	42	41	40	39	-	37	36	35	34	33		
																						-	31	-	-	-	-	26	25	24	23	-
											16	15	14	13	-	11	-	9	8	7	6	5	4	3	2	-						
MX123 CONN ASSY 73 CKT GRY OPT0 KEY B/18	345664593	C-HSG-B0	G-CAP-0-P	TPA-B0	RS	LS	MAL	CPA	MSEAL	RSEAL	72	71	70	69	-	-	66	65	-	63	62	61	60	59	-	57	56	55	54	-		
											52	51	50	49	48	47	-	-	44	43	42	41	40	39	-	37	36	35	34	33		
																						-	31	-	-	-	-	26	25	24	23	-
											16	15	14	13	-	11	-	9	8	7	6	5	4	3	2	1						
MX123 CONN ASSY 73 CKT BLK OPT0 KEY A/42	345664613	C-HSG-A0	G-CAP-0-P	TPA-A0	RS	LS	MAL	CPA	MSEAL	RSEAL	-	71	70	-	68	-	-	-	64	-	62	61	-	59	58	-	-	55	54	-		
											52	51	50	-	48	-	46	45	-	-	-	41	-	39	38	-	-	-	34	-		
																						32	-	-	-	-	-	25	-	23	22	-
											-	-	-	-	12	-	-	9	8	7	6	-	-	-	-	-						
MX123 CONN ASSY 73 CKT GRY OPT0 KEY B/36	345664623	C-HSG-B0	G-CAP-0-P	TPA-B0	RS	LS	MAL	CPA	MSEAL	RSEAL	-	71	-	69	-	67	-	65	64	63	62	61	-	-	58	57	56	-	-	-		
											-	51	-	49	-	47	-	45	44	43	42	41	-	-	38	37	36	-	-	-		
																						-	-	-	-	-	-	-	-	-	-	22
											-	15	14	13	12	11	-	9	-	-	6	5	4	3	-	-						

ASSEMBLY DESCRIPTION	ASSEMBLY PART NUMBER	CONNECTOR HOUSING	GROMMET CAP	TPA	RIGHT SLIDE	LEFT SLIDE	MATE ASSIST LEVER	CPA	MAT SEAL	RING SEAL	BLOCKED TERMINALS																STATUS	COMMENTS	INTEGRAL COMPONENTS SOLD SEPARATELY		
											CAVITY WITH A NUMBER INDICATES BLOCKED TERMINAL POSITION																		DRESS COVER		
											CAVITY WITHOUT A NUMBER INDICATES OPEN TERMINAL POSITION																				
MX123 CONN ASSY 73 CKT BLK OPT0 KEY A/39	345664633	C-HSG-A0	G-CAP-0-P	TPA-A0	RS	LS	MAL	CPA	MSEAL	RSEAL	72	-	-	-	68	67	66	65	-	-	62	61	-	-	-	57	-	-	-	-	
											-	-	50	-	48	-	46	-	-	-	-	40	39	-	37	-	35	-	33		
											-																-	-	17		
MX123 CONN ASSY 73 CKT GRY OPT0 KEY B/38	345664643	C-HSG-B0	G-CAP-0-P	TPA-B0	RS	LS	MAL	CPA	MSEAL	RSEAL	-	71	-	69	-	67	-	65	64	63	62	61	-	-	58	57	56	-	-	-	
											-	51	-	49	-	47	-	45	44	43	42	41	-	-	38	37	36	-	-	-	
											-																-	-	17		
MX123 CONN ASSY 73 CKT BLK OPT0 KEY A/37	345664653	C-HSG-A0	G-CAP-0-P	TPA-A0	RS	LS	MAL	CPA	MSEAL	RSEAL	72	-	-	-	68	-	66	65	-	-	62	61	-	-	58	57	-	-	-	-	
											-	-	50	-	48	-	46	-	-	-	-	40	39	-	37	-	35	-	33		
											-																-	-	17		
MX123 CONN ASSY 73 CKT BLK OPT0 KEY A/36	345664663	C-HSG-A0	G-CAP-0-P	TPA-A0	RS	LS	MAL	CPA	MSEAL	RSEAL	72	-	-	-	68	67	66	65	-	-	62	61	-	-	-	57	-	-	-	-	
											-	-	50	-	48	-	46	-	-	-	-	40	39	-	37	-	35	-	33		
											-																-	-	17		
MX123 CONN ASSY 73 CKT BLK OPT0 KEY A/29	345664673	C-HSG-A0	G-CAP-0-P	TPA-A0	RS	LS	MAL	CPA	MSEAL	RSEAL	72	71	70	69	68	-	-	65	64	63	62	61	60	59	58	57	56	55	54	53	
											52	51	50	49	48	-	46	45	44	43	42	-	40	39	38	37	36	35	34	33	
											-																-	-	1		
MX123 CONN ASSY 73 CKT GRY OPT9 KEY B/56	345664683	C-HSG-B9	G-CAP-9-P	TPA-B9	RS	LS	MAL	CPA	MSEAL	RSEAL	-	-	-	-	-	-	-	-	-	63	-	-	-	-	-	-	-	-	53		
											-	-	-	-	48	47	-	45	-	43	42	-	-	39	-	-	-	35	34	33	
											-																-	-	1		
MX123 CONN ASSY 73 CKT GRY OPT0 KEY B/53	345664693	C-HSG-B0	G-CAP-0-P	TPA-B0	RS	LS	MAL	CPA	MSEAL	RSEAL	-	-	-	-	-	-	-	64	63	62	-	-	59	58	-	-	-	-	53		
											-	-	-	-	-	47	-	45	-	43	42	-	-	39	-	-	-	35	34	33	
											-																-	-	1		
MX123 CONN ASSY 73 CKT GRY OPT0 KEY B/48	345664703	C-HSG-B0	G-CAP-0-P	TPA-B0	RS	LS	MAL	CPA	MSEAL	RSEAL	72	71	70	69	68	-	-	-	-	63	62	61	60	-	-	-	56	-	54	-	
											52	51	50	-	-	-	46	45	-	43	42	41	40	-	-	-	36	-	34	-	
											-																32	31	30	-	28
MX123 CONN ASSY 73 CKT BLK OPT0 KEY A/37	345664713	C-HSG-A0	G-CAP-0-P	TPA-A0	RS	LS	MAL	CPA	MSEAL	RSEAL	-	-	-	-	68	-	66	65	-	-	62	61	-	-	58	57	-	-	-	-	
											-	-	50	-	48	-	46	-	-	-	-	40	39	38	37	-	35	-	33		
											-																-	-	17		
MX123 CONN ASSY 73 CKT BLK OPT0 KEY A/36	345664723	C-HSG-A0	G-CAP-0-P	TPA-A0	RS	LS	MAL	CPA	MSEAL	RSEAL	-	-	-	-	68	67	66	65	-	-	62	61	-	-	-	57	-	-	-	-	
											-	-	50	-	48	-	46	-	-	-	-	40	39	38	37	-	35	-	33		
											-																-	-	17		
MX123 CONN ASSY 73 CKT BLK OPT0 KEY A/39	345664733	C-HSG-A0	G-CAP-0-P	TPA-A0	RS	LS	MAL	CPA	MSEAL	RSEAL	-	-	-	-	68	67	66	65	-	-	62	61	-	-	-	57	-	-	-	-	
											-	-	50	-	48	-	46	-	-	-	-	40	39	38	37	-	35	-	33		
											-																-	-	17		
MX123 CONN ASSY 73 CKT BLK OPT9 KEY A/59	345664743	C-HSG-A9	G-CAP-9-P	TPA-A9	RS	LS	MAL	CPA	MSEAL	RSEAL	-	-	-	-	68	-	66	-	-	-	-	-	-	-	-	-	-	-	-		
											-	-	-	-	-	-	46	-	-	-	-	-	-	38	-	-	35	-	33		
											-																-	-	17		

ASSEMBLY DESCRIPTION	ASSEMBLY PART NUMBER	CONNECTOR HOUSING	GROMMET CAP	TPA	RIGHT SLIDE	LEFT SLIDE	MATE ASSIST LEVER	CPA	MAT SEAL	RING SEAL	BLOCKED TERMINALS																				STATUS	COMMENTS	INTEGRAL COMPONENTS SOLD SEPARATELY
											CAVITY WITH A NUMBER INDICATES BLOCKED TERMINAL POSITION																						DRESS COVER
											CAVITY WITHOUT A NUMBER INDICATES OPEN TERMINAL POSITION																						
MX123 CONN ASSY 73 CKT GRY OPT0 KEY B/20	345664753	C-HSG-B0	G-CAP-0-P	TPA-B0	RS	LS	MAL	CPA	MSEAL	RSEAL	72	71	70	69	-	-	66	65	-	63	62	61	60	59	-	57	56	55	54	53	SALEABLE		345650003
											52	51	50	49	48	47	-	-	44	43	42	41	40	39	-	37	36	35	34	33			
															-	31	-	-	-	-	26	25	24	23	-	21	20	19	18	-			
															16	-	14	-	12	11	-	9	8	7	-	5	4	3	2	-			
MX123 CONN ASSY 73 CKT GRY OPT0 KEY B/16	345664763	C-HSG-B0	G-CAP-0-P	TPA-B0	RS	LS	MAL	CPA	MSEAL	RSEAL	72	71	70	69	-	-	66	65	-	63	62	61	60	59	58	57	56	55	54	53	SALEABLE		345650003
											52	51	50	49	48	47	-	-	44	43	42	41	40	39	38	37	36	35	34	33			
															-	31	-	-	-	-	26	25	24	23	22	21	20	19	18	-			
															16	-	14	-	12	11	-	9	8	7	-	5	4	3	2	1			
MX123 CONN ASSY 73 CKT GRY OPT0 KEY B/25	345664773	C-HSG-B0	G-CAP-0-P	TPA-B0	RS	LS	MAL	CPA	MSEAL	RSEAL	72	71	70	69	-	-	66	65	-	63	62	61	60	-	-	57	56	55	-	53	SALEABLE		345650003
											52	51	50	49	48	47	-	-	44	43	42	41	40	-	-	37	36	35	34	33			
															-	31	-	-	-	-	26	25	24	-	-	21	20	19	18	-			
															16	-	14	-	12	11	-	9	-	7	-	5	4	3	2	-			
MX123 CONN ASSY 73 CKT GRY OPT0 KEY B/25	345664783	C-HSG-B0	G-CAP-0-P	TPA-B0	RS	LS	MAL	CPA	MSEAL	RSEAL	72	71	70	69	-	-	66	65	-	-	62	61	60	59	-	57	56	-	54	53	SALEABLE		345650003
											52	51	50	49	48	47	-	-	44	-	42	41	40	39	-	37	36	-	34	33			
															-	31	-	-	-	-	26	25	24	23	-	21	20	-	18	-			
															16	-	14	-	12	11	-	9	8	7	-	5	4	3	2	-			
MX123 CONN ASSY 73 CKT GRY OPT0 KEY B/21	345664793	C-HSG-B0	G-CAP-0-P	TPA-B0	RS	LS	MAL	CPA	MSEAL	RSEAL	72	71	70	69	-	-	66	65	-	-	62	61	60	59	-	57	56	55	54	53	SALEABLE		345650003
											52	51	50	49	48	47	-	-	44	-	42	41	40	39	-	37	36	35	34	33			
															-	31	-	-	-	-	26	25	24	23	-	21	20	19	18	-			
															16	-	14	-	12	11	-	9	8	7	-	5	4	3	2	1			
MX123 CONN ASSY 73 CKT BLK OPT0 KEY A/38	345664803	C-HSG-A0	G-CAP-0-P	TPA-A0	RS	LS	MAL	CPA	MSEAL	RSEAL	-	-	70	-	-	-	-	65	-	-	-	-	60	-	58	57	56	55	54	-	SALEABLE		345650003
											52	51	50	49	-	47	46	45	-	43	-	-	40	-	38	37	36	-	34	-			
															-	31	30	-	28	-	26	-	24	-	22	21	20	19	18	-			
															16	15	14	-	-	-	10	-	-	7	6	-	-	-	-	-			
MX123 CONN ASSY 73 CKT GRY OPT9 KEY B/26	345664813	C-HSG-B9	G-CAP-9-P	TPA-B9	RS	LS	MAL	CPA	MSEAL	RSEAL	72	71	70	69	-	-	66	65	-	63	62	61	60	-	-	57	56	55	-	53	SALEABLE		345650003
											52	51	50	49	48	47	-	-	44	43	42	41	40	-	-	37	36	35	34	33			
															-	31	-	-	-	-	26	25	24	-	-	21	20	19	18	-			
															16	-	14	-	12	11	-	-	-	7	-	5	4	3	2	-			
MX123 CONN ASSY 73 CKT BLU OPT0 KEY C/46	345664823	C-HSG-C0	G-CAP-0-P	TPA-C0	RS	LS	MAL	CPA	MSEAL	RSEAL	72	71	70	69	-	-	-	-	-	63	62	61	60	-	-	-	56	-	-	-	SALEABLE		345650003
											52	-	-	-	-	47	-	-	44	-	-	-	-	-	-	-	36	-	34	-			
															-	-	-	29	28	27	-	25	-	-	-	21	-	19	18	17			
															-	15	14	-	12	11	-	-	-	-	-	-	-	-	-	-			
MX123 CONN ASSY 73 CKT BLU OPT0 KEY C/41	345664833	C-HSG-C0	G-CAP-0-P	TPA-C0	RS	LS	MAL	CPA	MSEAL	RSEAL	-	71	-	69	-	-	-	65	64	-	-	61	60	-	58	-	56	55	54	-	SALEABLE		345650003
											-	-	50	49	-	-	-	45	-	43	-	41	-	-	38	-	-	35	-	-			
															-	31	-	29	28	-	-	-	-	23	-	-	20	19	18	17			
															16	-	-	13	12	11	-	-	-	7	-	-	-	3	-	1			
MX123 CONN ASSY 73 CKT BLU OPT0 KEY C/42	345664843	C-HSG-C0	G-CAP-0-P	TPA-C0	RS	LS	MAL	CPA	MSEAL	RSEAL	-	71	-	69	-	-	-	65	64	-	-	61	60	-	58	-	56	55	54	-	SALEABLE		345650003
											-	-	50	49	-	-	-	45	-	43	-	41	-	-	-	-	35	-	-				
															-	31	-	29	28	-	-	-	-	23	-	-	20	19	18	17			
															16	-	-	13	12	11	-	-	-	7	-	-	-	3	-	1			
MX123 CONN ASSY 73 CKT BLU OPT0 KEY C/45	345664853	C-HSG-C0	G-CAP-0-P	TPA-C0	RS	LS	MAL	CPA	MSEAL	RSEAL	-	71	-	69	-	67	-	65	64	-	-	61	60	-	58	-	-	-	54	-	SALEABLE		345650003
											-	-	50	49	-	-	-	45	-	43	-	41	-	-	38	-	-	35	-	-			
															-	31	-	29	28	-	-	-	-	23	-	-	20	-	-	17			
															16	-	-	13	12	11	-	-	-	7	-	-	-	-	-	1			
MX123 CONN ASSY 73 CKT BLU OPT0 KEY C/41	345664863	C-HSG-C0	G-CAP-0-P	TPA-C0	RS	LS	MAL	CPA	MSEAL	RSEAL	-	71	-	69	-	67	-	65	64	-	-	61	60	-	58	-	56	55	54	-	SALEABLE		345650003
											-	-	50	49	-	-	-	45	-	43	-	41	-	-	-	-	35	-	-				
															-	31	-	29	28	-	-	-	-	23	-	-	20	19	18	17			
															16	-	-	13	12	11	-	-	-	7	-	-	-	3	-	1			

ASSEMBLY DESCRIPTION	ASSEMBLY PART NUMBER	CONNECTOR HOUSING	GROMMET CAP	TPA	RIGHT SLIDE	LEFT SLIDE	MATE ASSIST LEVER	CPA	MAT SEAL	RING SEAL	BLOCKED TERMINALS																		STATUS	COMMENTS	INTEGRAL COMPONENTS SOLD SEPARATELY
											CAVITY WITH A NUMBER INDICATES BLOCKED TERMINAL POSITION																				DRESS COVER
											CAVITY WITHOUT A NUMBER INDICATES OPEN TERMINAL POSITION																				
MX123 CONN ASSY 73 CKT BLU OPT0 KEY C/40	345664873	C-HSG-C0	G-CAP-0-P	TPA-C0	RS	LS	MAL	CPA	MSEAL	RSEAL	-	71	-	69	-	67	-	65	64	-	-	61	60	-	58	-	56	55	54	-	
											-	-	50	49	-	-	-	45	-	43	-	41	-	-	38	-	-	35	-	-	
																						-	31	-	29	28	-	-	-	23	-
											16	-	-	13	12	11	-	-	-	7	-	-	-	3	-	1					
MX123 CONN ASSY 73 CKT BLK OPT9 KEY A/39	345664883	C-HSG-A9	G-CAP-9-P	TPA-A9	RS	LS	MAL	CPA	MSEAL	RSEAL	-	71	70	-	68	-	66	-	64	-	62	61	-	59	58	-	-	55	54	-	
											52	51	50	-	48	-	-	45	-	-	42	41	-	39	38	-	-	-	34	-	
																						32	-	-	-	-	27	26	25	-	23
											-	-	-	-	12	-	-	9	8	7	6	-	-	-	-	-	-				
MX123 CONN ASSY 73 CKT GRY OPT9 KEY B/24	345664893	C-HSG-B9	G-CAP-9-P	TPA-B9	RS	LS	MAL	CPA	MSEAL	RSEAL	72	71	70	69	-	-	66	65	-	-	62	61	60	59	-	57	56	-	54	53	
											52	51	50	49	48	47	-	-	44	-	42	41	40	39	-	37	36	-	34	33	
																						-	31	-	-	-	-	26	25	24	23
											16	-	14	-	12	11	-	9	8	7	6	5	4	3	2	-					
MX123 CONN ASSY 73 CKT BLK OPT0 KEY A/21	345664903	C-HSG-A0	G-CAP-0-P	TPA-A0	RS	LS	MAL	CPA	MSEAL	RSEAL	-	-	-	-	-	67	-	-	-	-	-	60	-	-	-	-	-	54	53		
											-	-	-	-	48	-	46	45	-	-	42	-	40	39	-	-	-	-	-	-	
																						-	-	-	-	-	-	26	25	-	-
											-	-	-	-	-	-	-	-	8	7	6	5	4	3	-	-					
MX123 CONN ASSY 73 CKT GRY OPT9 KEY B/27	345664913	C-HSG-B9	G-CAP-9-P	TPA-B9	RS	LS	MAL	CPA	MSEAL	RSEAL	72	71	70	69	-	-	66	65	-	-	62	61	60	59	-	-	56	-	54	-	
											52	51	50	49	48	47	-	-	44	-	42	41	40	39	-	-	36	-	34	33	
																						-	31	-	-	-	-	26	25	24	23
											16	15	14	13	-	11	-	9	8	7	6	5	4	3	2	-					
MX123 CONN ASSY 73 CKT BLK OPT9 KEY A/38	345664923	C-HSG-A9	G-CAP-9-P	TPA-A9	RS	LS	MAL	CPA	MSEAL	RSEAL	-	71	70	-	68	-	66	-	64	-	62	61	-	59	58	-	-	55	54	-	
											52	51	50	-	48	-	46	45	-	-	42	41	-	39	38	-	-	-	34	-	
																						32	-	-	-	-	27	26	25	-	23
											-	-	-	-	12	-	-	9	8	7	6	-	-	-	-	-	-				
MX123 CONN ASSY 73 CKT BLU OPT0 KEY C/41	345664933	C-HSG-C0	G-CAP-0-P	TPA-C0	RS	LS	MAL	CPA	MSEAL	RSEAL	-	71	-	69	-	-	-	65	64	-	-	61	60	-	58	-	56	55	54	-	
											-	-	50	49	-	-	-	45	-	43	42	41	-	-	38	-	-	-	-	-	
																						-	31	-	29	28	-	-	-	23	-
											16	-	-	13	12	11	-	-	-	7	-	-	-	3	-	1					
MX123 CONN ASSY 73 CKT BLK OPT0 KEY A/49	345664943	C-HSG-A0	G-CAP-0-P	TPA-A0	RS	LS	MAL	CPA	MSEAL	RSEAL	72	71	-	-	-	-	66	65	64	-	-	-	-	-	-	-	-	-			
											-	-	-	-	48	47	46	45	-	-	-	-	40	-	-	-	-	35	-	33	
																						-	-	30	-	-	-	-	-	24	-
											-	-	-	-	-	-	-	-	-	7	6	5	4	-	2	1					
MX123 CONN ASSY 73 CKT GRY OPT0 KEY B/51	345664953	C-HSG-B0	G-CAP-0-P	TPA-B0	RS	LS	MAL	CPA	MSEAL	RSEAL	-	-	-	-	-	-	-	-	-	-	62	61	60	-	58	57	56	55	54	-	
											-	-	-	-	-	-	-	-	-	-	42	41	40	-	38	37	36	35	-	-	
																						-	-	-	-	-	-	-	-	22	21
											-	-	-	-	-	-	9	-	-	6	5	4	-	-	-	-					
MX123 CONN ASSY 73 CKT BLK OPT9 KEY A/43	345664963	C-HSG-A9	G-CAP-9-P	TPA-A9	RS	LS	MAL	CPA	MSEAL	RSEAL	-	71	70	-	68	-	-	-	64	-	62	61	-	59	58	-	-	55	54	-	
											52	51	50	-	48	-	-	45	-	-	-	41	-	39	38	-	-	-	34	-	
																						32	-	-	-	-	-	25	-	23	22
											-	-	-	-	12	-	-	9	8	7	6	-	-	-	-	-					
MX123 CONN ASSY 73 CKT GRY OPT9 KEY B/27	345664973	C-HSG-B9	G-CAP-9-P	TPA-B9	RS	LS	MAL	CPA	MSEAL	RSEAL	72	71	70	69	-	-	66	65	-	63	62	61	60	-	-	57	56	55	-	53	
											52	51	50	49	48	47	-	-	-	-	42	41	40	-	-	37	36	35	34	33	
																						-	31	-	-	-	-	26	25	24	-
											16	-	14	-	-	11	-	9	8	7	-	5	4	3	2	-					
MX123 CONN ASSY 73 CKT GRY OPT0 KEY B/39	345664983	C-HSG-B0	G-CAP-0-P	TPA-B0	RS	LS	MAL	CPA	MSEAL	RSEAL	-	71	-	69	-	67	-	65	64	63	62	61	-	-	58	57	56	-	-	-	
											-	51	-	49	-	47	-	45	-	43	42	41	-	-	38	37	36	-	-	-	
																						-	-	-	-	-	-	-	-	22	21
											-	15	14	13	12	11	-	9	-	-	6	5	4	3	-	-					

ASSEMBLY DESCRIPTION	ASSEMBLY PART NUMBER	CONNECTOR HOUSING	GROMMET CAP	TPA	RIGHT SLIDE	LEFT SLIDE	MATE ASSIST LEVER	CPA	MAT SEAL	RING SEAL	BLOCKED TERMINALS																STATUS	COMMENTS	INTEGRAL COMPONENTS SOLD SEPARATELY													
											CAVITY WITH A NUMBER INDICATES BLOCKED TERMINAL POSITION																		DRESS COVER													
											CAVITY WITHOUT A NUMBER INDICATES OPEN TERMINAL POSITION																															
MX123 CONN ASSY 73 CKT BLK OPT0 KEY A/36	345664993	C-HSG-A0	G-CAP-0-P	TPA-A0	RS	LS	MAL	CPA	MSEAL	RSEAL	-	-	-	-	68	-	66	65	-	-	62	61	-	-	58	57	-	-	-	-												
											-	-	50	-	48	-	46	-	-	-	-	40	39	38	37	-	35	-	33													
																											-	31	-	29	-	27	-	25	24	23	22	21	20	-	-	17
																											-	-	14	13	-	11	-	9	8	7	6	5	4	-	2	1
MX123 CONN ASSY 73 CKT GRY OPT9 KEY B/31	345665013	C-HSG-B9	G-CAP-9-P	TPA-B9	RS	LS	MAL	CPA	MSEAL	RSEAL	72	71	70	69	-	-	66	65	-	-	62	61	60	-	-	57	56	-	-	53												
											52	51	50	49	48	47	-	-	-	-	42	41	40	-	-	37	36	-	34	33												
																											-	31	-	-	-	-	26	25	24	-	-	21	20	-	18	-
																											16	-	14	-	-	11	-	9	8	7	-	5	4	3	2	-
MX123 CONN ASSY 73 CKT BLU OPT0 KEY C/38	345665023	C-HSG-C0	G-CAP-0-P	TPA-C0	RS	LS	MAL	CPA	MSEAL	RSEAL	-	71	-	69	-	-	66	65	64	-	-	61	60	-	58	-	56	55	54	-												
											-	-	50	49	-	-	45	-	43	-	41	-	-	38	-	-	35	-	-													
																											-	31	-	29	28	27	-	-	-	23	-	-	-	19	18	17
																											16	-	-	13	12	11	10	9	-	7	-	-	-	3	-	1
MX123 CONN ASSY 73 CKT BLK OPT0 KEY A/40	345665033	C-HSG-A0	G-CAP-0-P	TPA-A0	RS	LS	MAL	CPA	MSEAL	RSEAL	72	71	-	-	68	67	66	65	64	-	-	-	-	59	-	-	-	-	-													
											-	-	50	-	48	47	46	45	-	-	-	-	40	39	38	-	-	-	-	-												
																											-	31	30	-	-	-	-	-	24	23	22	21	20	-	-	17
																											-	-	14	-	-	-	-	9	8	7	6	5	4	-	2	1
MX123 CONN ASSY 73 CKT BLK OPT0 KEY A/2	345665043	C-HSG-A0	G-CAP-0-P	TPA-A0	RS	LS	MAL	CPA	MSEAL	RSEAL	72	71	70	69	68	67	66	65	64	63	62	61	60	59	58	57	56	55	54	53												
											52	51	50	49	48	47	46	45	44	43	42	41	40	39	38	37	36	35	34	33												
																											32	-	30	29	28	27	26	25	24	23	22	21	20	19	18	17
																											16	15	14	13	12	11	10	9	8	7	6	5	4	3	2	1
MX123 CONN ASSY 73 CKT GRY OPT0 KEY B/6	345665053	C-HSG-B0	G-CAP-0-P	TPA-B0	RS	LS	MAL	CPA	MSEAL	RSEAL	72	71	70	69	68	67	66	65	64	63	62	61	60	59	58	57	56	55	54	53												
											52	51	50	49	48	-	46	45	44	43	42	41	40	39	38	37	36	35	34	33												
																											32	-	30	29	28	27	26	25	24	23	22	21	-	19	18	-
																											16	15	14	13	12	11	10	9	8	7	6	5	4	3	2	-
MX123 CONN ASSY 73 CKT BLK OPT9 KEY A/62	345665073	C-HSG-A9	G-CAP-9-P	TPA-A9	RS	LS	MAL	CPA	MSEAL	RSEAL	-	-	-	-	-	-	-	-	-	-	-	-	-	-	-	-	-	-	-													
											-	-	-	-	-	-	-	-	-	-	-	-	-	-	-	-	-	-	35	-	-											
																											-	-	-	-	-	-	-	25	-	-	-	-	-	-	-	17
																											-	15	14	-	-	-	-	-	-	7	6	5	4	3	2	-
MX123 CONN ASSY 73 CKT BLK OPT9 KEY A/39	345665083	C-HSG-A9	G-CAP-9-P	TPA-A9	RS	LS	MAL	CPA	MSEAL	RSEAL	72	71	-	-	68	67	66	65	64	-	-	-	-	59	-	-	-	-	-													
											-	-	50	-	48	47	46	45	-	-	-	-	40	39	-	-	36	35	-	33												
																											-	31	30	-	-	-	-	25	24	-	22	21	20	-	-	17
																											-	-	14	-	-	-	-	9	-	7	6	5	4	-	2	1
MX123 CONN ASSY 73 CKT GRY OPT0 KEY B/57	345665093	C-HSG-B0	G-CAP-0-P	TPA-B0	RS	LS	MAL	CPA	MSEAL	RSEAL	-	-	-	-	-	-	-	-	-	-	-	-	-	-	-	-	-	-	-													
											-	-	-	-	-	-	-	-	-	-	-	-	-	-	-	-	-	-	-	-	-											
																											32	31	30	-	28	-	26	25	24	-	-	-	20	19	-	17
																											-	-	-	-	12	11	10	9	-	-	-	-	-	-	2	1
MX123 CONN ASSY 73 CKT GRY OPT0 KEY B/52	345665103	C-HSG-B0	G-CAP-0-P	TPA-B0	RS	LS	MAL	CPA	MSEAL	RSEAL	72	71	70	69	68	-	-	-	64	63	62	61	60	-	58	-	56	-	54	-												
											52	51	50	-	-	-	-	45	-	43	42	41	40	-	38	-	36	-	34	-												
																											32	31	30	-	-	27	26	25	24	-	22	-	20	19	18	17
																											16	15	14	13	12	11	10	9	8	-	6	5	4	3	2	1
MX123 CONN ASSY 73 CKT BLK OPT0 KEY A/50	345665113	C-HSG-A0	G-CAP-0-P	TPA-A0	RS	LS	MAL	CPA	MSEAL	RSEAL	-	-	-	-	-	-	-	65	-	-	-	61	-	-	58	57	56	-	-	-												
											-	51	50	-	-	47	46	45	-	-	-	-	-	-	38	37	36	-	-	-												
																											-	31	30	-	28	-	26	-	-	-	22	21	20	-	-	-
																											-	15	14	-	-	-	10	-	-	-	-	-	-	-	-	-
MX123 CONN ASSY 73 CKT BLU OPT9 KEY C/43	345665123	C-HSG-C9	G-CAP-9-P	TPA-C9	RS	LS	MAL	CPA	MSEAL	RSEAL	-	71	-	69	-	-	-	65	64	-	-	61	60	-	58	-	56	55	54	-												
											-	-	50	49	-	-	-	-	-	43	42	41	-	-	-	-	35	-	-													
																											-	31	-	29	28	-	-	-	-	23	-	-	-	19	18	17
																											16	-	-	13	12	11	-	-	-	7	-	-	-	3	-	1





ASSEMBLY DESCRIPTION	ASSEMBLY PART NUMBER	CONNECTOR HOUSING	GROMMET CAP	TPA	RIGHT SLIDE	LEFT SLIDE	MATE ASSIST LEVER	CPA	MAT SEAL	RING SEAL	BLOCKED TERMINALS																		STATUS	COMMENTS	INTEGRAL COMPONENTS SOLD SEPARATELY						
											CAVITY WITH A NUMBER INDICATES BLOCKED TERMINAL POSITION CAVITY WITHOUT A NUMBER INDICATES OPEN TERMINAL POSITION																				DRESS COVER						
MX123 CONN ASSY 73 CKT GRY OPT0 KEY B/39	345665253	C-HSG-B0	G-CAP-0-P	TPA-B0	RS	LS	MAL	CPA	MSEAL	RSEAL	72	71	70	69	68	-	-	65	64	-	62	61	60	-	-	-	-	-	54	-							
											52	51	-	-	-	47	-	-	44	-	42	41	40	-	-	-	-	-	-	-	-	-	-	-	-	-	
																						32	31	30	-	28	-	26	25	24	-	-	-	20	19	-	17
																						-	-	-	-	12	11	10	9	-	-	-	-	-	-	2	1
MX123 CONN ASSY 73 CKT GRY OPT0 KEY B/50	345665263	C-HSG-B0	G-CAP-0-P	TPA-B0	RS	LS	MAL	CPA	MSEAL	RSEAL	-	-	-	69	-	-	-	65	64	63	-	-	-	-	-	-	-	-	-								
											-	-	-	49	-	-	-	45	44	43	-	-	-	-	-	-	-	-	-	-	-	-	-	-			
																						-	-	-	-	-	-	26	-	-	23	22	21	20	19	18	-
																						-	-	-	-	12	11	-	9	-	7	6	5	4	3	-	-
MX123 CONN ASSY 73 CKT BLK OPT0 KEY A/40	345665273	C-HSG-A0	G-CAP-0-P	TPA-A0	RS	LS	MAL	CPA	MSEAL	RSEAL	72	71	-	-	68	67	66	65	64	-	-	-	-	59	-	-	-	-	-	-							
											-	-	50	-	48	47	46	45	-	-	-	-	40	39	38	-	-	35	-	33							
																						-	31	30	-	-	-	25	24	-	22	21	20	-	-	17	
																						-	-	14	-	-	-	-	-	-	7	6	5	4	-	2	1
MX123 CONN ASSY 73 CKT BLU OPT0 KEY C/41	345665283	C-HSG-C0	G-CAP-0-P	TPA-C0	RS	LS	MAL	CPA	MSEAL	RSEAL	-	71	-	69	-	-	-	65	64	-	-	61	60	-	58	-	-	-	-	-							
											-	-	50	49	-	-	-	45	-	43	-	41	-	-	38	37	36	35	-	-							
																						-	31	-	29	28	27	-	-	24	23	-	20	-	-	17	
																						16	-	-	13	12	11	-	-	8	7	-	-	-	-	2	1
MX123 CONN ASSY 73 CKT BLK OPT0 KEY A/41	345665293	C-HSG-A0	G-CAP-0-P	TPA-A0	RS	LS	MAL	CPA	MSEAL	RSEAL	72	71	-	-	68	67	66	65	64	-	-	-	-	59	-	-	-	-	-								
											-	-	50	-	48	47	46	45	-	-	-	-	39	38	-	-	35	-	33								
																						-	31	30	-	-	-	25	24	23	22	21	20	-	-	-	
																						-	-	14	-	-	-	9	8	7	6	5	4	-	-	-	
MX123 CONN ASSY 73 CKT GRY OPT0 KEY B/49	345665303	C-HSG-B0	G-CAP-0-P	TPA-B0	RS	LS	MAL	CPA	MSEAL	RSEAL	72	71	70	69	68	67	66	-	-	63	62	61	60	-	58	-	56	-	54	-							
											52	51	-	-	-	47	-	45	44	43	42	41	40	-	38	-	36	-	34	-							
																						-	31	30	-	28	27	26	25	24	-	22	-	20	19	18	17
																						16	-	14	13	12	11	10	9	8	-	-	-	-	-	2	1
MX123 CONN ASSY 73 CKT BLU OPT0 KEY C/47	345665313	C-HSG-C0	G-CAP-0-P	TPA-C0	RS	LS	MAL	CPA	MSEAL	RSEAL	-	71	-	69	-	-	-	65	64	-	-	61	60	-	58	-	-	-	54	-							
											-	-	50	49	-	-	-	45	-	43	-	41	-	-	-	-	35	-	-								
																						-	31	-	29	28	-	-	-	23	-	-	20	-	-	17	
																						16	-	-	13	12	11	-	-	7	-	-	-	-	-	1	
MX123 CONN ASSY 73 CKT BLK OPT0 KEY A/35	345665333	C-HSG-A0	G-CAP-0-P	TPA-A0	RS	LS	MAL	CPA	MSEAL	RSEAL	-	-	-	69	-	-	-	-	-	-	-	61	-	-	58	57	-	55	54	-							
											52	-	50	-	-	-	-	-	-	-	42	-	-	39	38	37	36	35	34	33							
																						32	31	-	-	-	27	-	-	23	22	21	-	19	18	-	
																						16	15	14	13	-	-	10	9	8	7	6	5	4	3	2	1
MX123 CONN ASSY 73 CKT GRY OPT0 KEY B/24	345665343	C-HSG-B0	G-CAP-0-P	TPA-B0	RS	LS	MAL	CPA	MSEAL	RSEAL	72	71	70	69	-	-	66	65	-	63	62	61	60	-	-	57	56	55	-	53							
											52	51	50	49	48	47	-	-	44	43	42	41	40	-	-	37	36	35	34	33							
																						-	31	-	-	-	26	25	24	-	-	21	20	19	18	-	
																						16	15	14	13	-	11	-	9	-	7	-	5	4	3	2	-
MX123 CONN ASSY 73 CKT GRY OPT9 KEY B/32	345665353	C-HSG-B9	G-CAP-9-P	TPA-B9	RS	LS	MAL	CPA	MSEAL	RSEAL	72	71	70	69	-	-	66	65	-	-	62	61	60	-	-	57	56	-	-	53							
											52	51	50	49	48	47	-	-	-	-	42	41	40	-	-	37	36	-	-	33							
																						-	31	-	-	-	26	25	24	-	-	21	20	-	18	-	
																						16	-	14	-	-	11	-	9	8	7	-	5	4	3	2	-
MX123 CONN ASSY 73 CKT BLU OPT0 KEY C/35	345665363	C-HSG-C0	G-CAP-0-P	TPA-C0	RS	LS	MAL	CPA	MSEAL	RSEAL	-	71	-	69	-	67	-	65	64	-	-	61	60	-	58	-	56	55	54	-							
											-	-	50	49	-	-	-	45	-	43	-	41	-	-	-	37	36	35	-	-							
																						-	31	-	29	28	27	-	-	24	23	-	-	20	19	18	17
																						16	-	-	13	12	11	-	-	8	7	-	-	-	3	2	1
MX123 CONN ASSY 73 CKT BLU OPT0 KEY C/32	345665373	C-HSG-C0	G-CAP-0-P	TPA-C0	RS	LS	MAL	CPA	MSEAL	RSEAL	-	71	-	69	-	67	-	65	64	-	-	61	60	-	58	-	56	55	54	-							
											-	-	50	49	-	-	-	45	-	43	-	41	-	-	38	37	36	35	-	-							
																						-	31	-	29	28	27	-	-	24	23	-	-	20	19	18	17
																						16	-	-	13	12	11	-	-	8	7	-	5	4	3	2	1

ASSEMBLY DESCRIPTION	ASSEMBLY PART NUMBER	CONNECTOR HOUSING	GROMMET CAP	TPA	RIGHT SLIDE	LEFT SLIDE	MATE ASSIST LEVER	CPA	MAT SEAL	RING SEAL	BLOCKED TERMINALS																		STATUS	COMMENTS	INTEGRAL COMPONENTS SOLD SEPARATELY
											CAVITY WITH A NUMBER INDICATES BLOCKED TERMINAL POSITION CAVITY WITHOUT A NUMBER INDICATES OPEN TERMINAL POSITION																				DRESS COVER
MX123 CONN ASSY 73 CKT BLU OPT0 KEY C/39	345665383	C-HSG-C0	G-CAP-0-P	TPA-C0	RS	LS	MAL	CPA	MSEAL	RSEAL	-	71	-	69	-	67	-	65	64	-	-	61	60	-	58	-	56	55	54	-	
											-	-	50	49	-	-	-	45	-	43	-	41	-	-	38	-	-	35	-	-	
															-	31	-	29	28	27	-	-	-	23	-	-	20	19	18	17	
															16	-	-	13	12	11	-	-	-	7	-	-	-	3	-	1	
MX123 CONN ASSY 73 CKT BLK OPT0 KEY A/30	345665393	C-HSG-A0	G-CAP-0-P	TPA-A0	RS	LS	MAL	CPA	MSEAL	RSEAL	72	71	-	-	68	67	66	65	64	-	62	61	60	59	58	57	-	-	-	-	
											-	-	50	-	48	47	46	45	-	-	-	-	40	39	38	37	-	35	-	33	
															-	31	30	29	-	27	-	25	24	-	22	-	20	-	-	17	
															-	15	14	13	-	11	-	9	-	7	6	-	4	-	2	1	
MX123 CONN ASSY 73 CKT GRY OPT0 KEY B/42	345665403	C-HSG-B0	G-CAP-0-P	TPA-B0	RS	LS	MAL	CPA	MSEAL	RSEAL	72	71	70	69	68	67	66	-	64	63	62	61	60	-	-	-	-	54	-		
											52	51	-	-	-	47	-	-	44	43	42	41	40	-	-	-	36	-	-	-	
															32	31	30	-	28	27	26	25	24	-	-	-	20	19	-	17	
															-	-	-	13	12	11	10	9	8	-	-	-	-	-	2	1	
MX123 CONN ASSY 73 CKT BLK OPT0 KEY A/31	345665413	C-HSG-A0	G-CAP-0-P	TPA-A0	RS	LS	MAL	CPA	MSEAL	RSEAL	72	71	-	-	68	67	66	65	64	-	62	61	60	59	58	57	-	-	-	-	
											-	-	50	-	48	47	46	45	-	-	-	-	40	39	38	37	-	35	-	33	
															-	31	30	29	-	27	-	25	24	-	22	-	20	-	-	17	
															-	-	14	13	-	11	-	9	-	7	6	-	4	-	2	1	
MX123 CONN ASSY 73 CKT BLK OPT0 KEY A/27	345665423	C-HSG-A0	G-CAP-0-P	TPA-A0	RS	LS	MAL	CPA	MSEAL	RSEAL	72	71	-	-	68	67	66	65	64	-	62	61	60	59	-	57	-	-	-	-	
											-	-	50	-	48	47	46	45	-	-	-	-	40	39	38	37	-	35	-	33	
															-	31	30	29	-	27	-	25	24	23	22	21	20	-	-	17	
															-	15	14	13	-	11	-	9	8	7	6	5	4	-	2	1	
MX123 CONN ASSY 73 CKT GRY OPT9 KEY B/22	345665433	C-HSG-B9	G-CAP-9-P	TPA-B9	RS	LS	MAL	CPA	MSEAL	RSEAL	72	71	70	69	-	-	66	65	-	63	62	61	60	-	-	57	56	55	-	53	
											52	51	50	49	48	47	-	-	44	43	42	41	40	-	-	37	36	35	34	33	
															-	31	-	-	-	-	26	25	24	-	-	21	20	19	18	-	
															16	15	14	13	12	11	-	9	8	7	-	5	4	3	2	-	
MX123 CONN ASSY 73 CKT GRY OPT9 KEY B/24	345665443	C-HSG-B9	G-CAP-9-P	TPA-B9	RS	LS	MAL	CPA	MSEAL	RSEAL	72	71	70	69	-	-	66	65	-	63	62	61	60	-	-	57	56	55	-	53	
											52	51	50	49	48	47	-	-	44	43	42	41	40	-	-	37	36	35	34	33	
															-	31	-	-	-	-	26	25	24	-	-	21	20	19	18	-	
															16	-	14	-	12	11	-	9	8	7	-	5	4	3	2	-	
MX123 CONN ASSY 73 CKT GRY OPT0 KEY B/24	345665453	C-HSG-B0	G-CAP-0-P	TPA-B0	RS	LS	MAL	CPA	MSEAL	RSEAL	72	71	70	69	-	-	66	65	-	63	62	61	60	-	-	57	56	55	-	53	
											52	51	50	49	48	47	-	-	44	43	42	41	40	-	-	37	36	35	34	33	
															-	31	-	-	-	-	26	25	24	-	-	21	20	19	18	-	
															16	-	14	-	12	11	-	9	8	7	-	5	4	3	2	-	
MX123 CONN ASSY 73 CKT BLK OPT0 KEY A/21	345665463	C-HSG-A0	G-CAP-0-P	TPA-A0	RS	LS	MAL	CPA	MSEAL	RSEAL	-	71	-	69	68	67	66	65	64	-	62	61	60	59	58	57	56	55	54	53	
											-	51	50	-	48	47	46	45	44	43	42	-	40	39	38	37	36	35	34	33	
															32	-	-	29	-	-	-	25	24	-	22	21	-	-	18	17	
															-	-	-	13	-	11	-	9	8	7	-	5	4	3	2	1	
MX123 CONN ASSY 73 CKT BLK OPT0 KEY A/45	345665473	C-HSG-A0	G-CAP-0-P	TPA-A0	RS	LS	MAL	CPA	MSEAL	RSEAL	-	-	-	69	-	-	-	-	-	-	-	61	-	-	58	57	-	55	54	-	
											-	-	50	49	-	-	-	-	-	-	-	-	-	39	38	37	36	35	34	33	
															32	-	-	-	-	-	-	-	-	22	21	-	-	18	-		
															-	-	-	13	-	-	-	9	8	7	-	5	4	3	2	1	
MX123 CONN ASSY 73 CKT GRY OPT0 KEY B/39	345665483	C-HSG-B0	G-CAP-0-P	TPA-B0	RS	LS	MAL	CPA	MSEAL	RSEAL	-	71	-	69	-	67	-	65	-	-	62	61	-	-	58	57	56	-	-	-	
											-	51	-	49	-	47	-	45	44	43	42	41	-	-	38	37	36	-	-	-	
															-	-	-	-	-	-	-	-	-	23	22	21	-	19	18	-	
															-	15	14	13	12	11	-	9	-	7	6	-	-	3	-	-	
MX123 CONN ASSY 73 CKT BLK OPT0 KEY A/37	345665493	C-HSG-A0	G-CAP-0-P	TPA-A0	RS	LS	MAL	CPA	MSEAL	RSEAL	-	71	-	-	68	67	66	65	64	-	62	61	-	-	-	-	-	-	-		
											-	-	50	-	48	47	46	45	-	-	-	-	-	39	38	-	-	35	-	33	
															-	31	30	29	-	27	-	25	24	23	22	21	20	-	-	-	
															-	-	14	13	-	11	-	9	8	7	6	5	4	-	-	-	



ASSEMBLY DESCRIPTION	ASSEMBLY PART NUMBER	CONNECTOR HOUSING	GROMMET CAP	TPA	RIGHT SLIDE	LEFT SLIDE	MATE ASSIST LEVER	CPA	MAT SEAL	RING SEAL	BLOCKED TERMINALS																				STATUS	COMMENTS	INTEGRAL COMPONENTS SOLD SEPARATELY	
											CAVITY WITH A NUMBER INDICATES BLOCKED TERMINAL POSITION																						DRESS COVER	
											CAVITY WITHOUT A NUMBER INDICATES OPEN TERMINAL POSITION																							
MX123 CONN ASSY 73 CKT BLK OPT0 KEY A/30	345665503	C-HSG-A0	G-CAP-0-P	TPA-A0	RS	LS	MAL	CPA	MSEAL	RSEAL	-	-	70	-	-	-	-	65	-	-	-	61	-	-	58	57	56	55	54	53	SALEABLE		345650003	
											-	51	50	-	-	47	-	45	-	-	-	41	-	-	38	37	36	-	34	-				
															-	31	30	-	28	-	-	25	-	-	22	21	20	19	18	-				
											-	16	15	-	-	-	-	-	-	-	-	-	-	-	-	-	-	-	-	-				
MX123 CONN ASSY 73 CKT GRY OPT9 KEY B/22	345665513	C-HSG-B9	G-CAP-9-P	TPA-B9	RS	LS	MAL	CPA	MSEAL	RSEAL	72	71	70	69	-	-	66	65	-	-	62	61	60	59	-	57	56	-	54	53	SALEABLE		345650003	
											52	51	50	49	48	47	-	-	44	-	42	41	40	39	-	37	36	-	34	33				
															-	31	-	-	-	-	26	25	24	23	-	21	20	-	18	-				
											-	16	15	14	13	12	11	-	9	8	7	6	5	4	3	2	-							
MX123 CONN ASSY 73 CKT BLK OPT9 KEY A/42	345665523	C-HSG-A9	G-CAP-9-P	TPA-A9	RS	LS	MAL	CPA	MSEAL	RSEAL	-	71	70	-	68	-	-	-	64	-	62	61	-	59	58	-	-	55	54	-	SALEABLE		345650003	
											52	51	50	-	48	-	46	45	-	-	-	41	-	39	38	-	-	-	34	-				
															-	32	-	-	-	-	-	25	-	23	22	-	-	19	18	-				
											-	-	-	-	12	-	-	9	8	7	6	-	-	-	-	-	-	-	-					
MX123 CONN ASSY 73 CKT GRY OPT9 KEY B/24	345665533	C-HSG-B9	G-CAP-9-P	TPA-B9	RS	LS	MAL	CPA	MSEAL	RSEAL	72	71	70	69	-	-	66	65	-	63	62	61	60	-	-	57	56	55	-	53	SALEABLE		345650003	
											52	51	50	49	48	47	-	-	44	43	42	41	40	-	-	37	36	35	34	33				
															-	31	-	-	-	-	26	25	24	-	-	21	20	19	18	-				
											-	16	15	14	13	12	11	-	-	-	7	-	5	4	3	2	-							
MX123 CONN ASSY 73 CKT BLK OPT9 KEY A/24	345665543	C-HSG-A9	G-CAP-9-P	TPA-A9	RS	LS	MAL	CPA	MSEAL	RSEAL	72	71	70	69	-	-	66	65	-	63	62	61	60	-	-	57	56	55	-	53	SALEABLE		345650003	
											52	51	50	49	48	47	-	-	44	43	42	41	40	-	-	37	36	35	34	33				
															-	31	-	-	-	-	26	25	24	-	-	21	20	19	18	-				
											-	16	15	14	13	-	11	-	9	-	7	-	5	4	3	2	-							
MX123 CONN ASSY 73 CKT GRY OPT9 KEY B/24	345665553	C-HSG-B9	G-CAP-9-P	TPA-B9	RS	LS	MAL	CPA	MSEAL	RSEAL	72	71	70	69	-	-	66	65	-	63	62	61	60	-	-	57	56	55	-	53	SALEABLE		345650003	
											52	51	50	49	48	47	-	-	44	43	42	41	40	-	-	37	36	35	34	33				
															-	31	-	-	-	-	26	25	24	-	-	21	20	19	18	-				
											-	16	15	14	13	-	11	-	9	-	7	-	5	4	3	2	-							
MX123 CONN ASSY 73 CKT BLK OPT0 KEY A/43	345665563	C-HSG-A0	G-CAP-0-P	TPA-A0	RS	LS	MAL	CPA	MSEAL	RSEAL	-	-	-	-	68	67	66	65	-	-	62	61	-	-	-	-	-	-	-	SALEABLE		345650003		
											-	-	50	-	-	-	46	-	-	-	-	-	40	39	38	-	-	35	-				-	
															-	31	-	29	-	27	-	25	24	23	22	21	20	-	-				-	
											-	-	14	13	-	11	-	9	8	7	6	5	4	-	-	-	-							
MX123 CONN ASSY 73 CKT BLU OPT0 KEY C/52	345665573	C-HSG-C0	G-CAP-0-P	TPA-C0	RS	LS	MAL	CPA	MSEAL	RSEAL	-	71	-	69	-	67	-	65	64	-	-	61	60	-	-	-	-	54	-	SALEABLE		345650003		
											-	-	50	-	-	-	45	-	43	-	41	-	-	-	-	-	35	-	-					
															-	31	-	29	28	27	-	-	-	-	-	-	-	-	-				-	
											-	16	-	-	12	11	-	-	-	-	-	-	-	-	3	-	-							
MX123 CONN ASSY 73 CKT GRY OPT0 KEY B/41	345665583	C-HSG-B0	G-CAP-0-P	TPA-B0	RS	LS	MAL	CPA	MSEAL	RSEAL	-	71	-	69	-	67	-	65	-	-	62	61	-	-	58	57	56	-	-	-	SALEABLE		345650003	
											-	51	-	49	-	47	-	45	44	43	42	41	-	-	38	37	36	-	-	-				
															-	-	-	-	-	-	-	-	-	-	22	21	-	19	18	-				
											-	15	14	13	12	11	-	9	-	-	6	-	-	3	-	-								
MX123 CONN ASSY 73 CKT BLU OPT0 KEY C/37	345665593	C-HSG-C0	G-CAP-0-P	TPA-C0	RS	LS	MAL	CPA	MSEAL	RSEAL	-	71	-	69	-	67	-	65	64	-	-	61	60	-	58	-	56	-	54	-	SALEABLE		345650003	
											-	-	50	49	-	-	45	-	43	-	41	-	-	38	37	36	35	-	-					
															-	31	-	29	28	27	-	-	24	-	-	-	20	19	18	17				
											-	16	-	-	13	12	11	-	8	-	-	-	-	3	2	1								
MX123 CONN ASSY 73 CKT BLK OPT0 KEY A/33	345665603	C-HSG-A0	G-CAP-0-P	TPA-A0	RS	LS	MAL	CPA	MSEAL	RSEAL	-	-	70	-	-	-	-	65	-	-	-	61	60	-	58	57	-	55	54	-	SALEABLE		345650003	
											52	51	-	49	-	47	-	45	-	-	-	41	40	-	38	37	-	-	34	-				
															-	31	-	-	28	-	26	25	24	-	22	21	-	19	18	-				
											-	16	15	-	-	-	-	10	-	-	7	6	-	-	-	-	-	-	-					
MX123 CONN ASSY 73 CKT BLU OPT0 KEY C/43	345665613	C-HSG-C0	G-CAP-0-P	TPA-C0	RS	LS	MAL	CPA	MSEAL	RSEAL	-	71	-	69	-	67	66	65	64	-	-	61	60	-	-	-	56	55	54	-	SALEABLE		345650003	
											-	-	50	49	-	-	46	45	-	43	-	41	-	-	38	-	-	35	-	-				
															-	31	-	29	28	-	-	-	-	-	-	-	19	18	-					
											-	16	-	-	12	11	10	9	-	-	-	-	-	3	-	-								

ASSEMBLY DESCRIPTION	ASSEMBLY PART NUMBER	CONNECTOR HOUSING	GROMMET CAP	TPA	RIGHT SLIDE	LEFT SLIDE	MATE ASSIST LEVER	CPA	MAT SEAL	RING SEAL	BLOCKED TERMINALS																		STATUS	COMMENTS	INTEGRAL COMPONENTS SOLD SEPARATELY						
											CAVITY WITH A NUMBER INDICATES BLOCKED TERMINAL POSITION																				DRESS COVER						
											CAVITY WITHOUT A NUMBER INDICATES OPEN TERMINAL POSITION																										
MX123 CONN ASSY 73 CKT BLU OPT0 KEY C/40	345665623	C-HSG-C0	G-CAP-0-P	TPA-C0	RS	LS	MAL	CPA	MSEAL	RSEAL	-	71	-	69	-	67	66	65	64	-	-	61	60	-	58	-	56	55	54	-							
											-	-	50	49	-	-	46	45	-	43	-	41	-	-	38	-	-	35	-	-							
																						-	31	-	29	28	-	-	-	-	-	-	19	18	17		
																						16	-	-	-	12	11	10	9	-	-	-	-	-	3	-	1
MX123 CONN ASSY 73 CKT GRY OPT0 KEY B/19	345665633	C-HSG-B0	G-CAP-0-P	TPA-B0	RS	LS	MAL	CPA	MSEAL	RSEAL	-	71	70	69	68	67	66	65	64	63	-	-	60	59	58	57	56	55	54	53							
											-	51	50	49	-	47	-	45	-	-	42	-	-	39	38	37	36	35	34	33							
																						32	31	-	29	28	27	26	25	24	23	22	21	-	-	-	17
																						-	-	-	13	12	11	10	9	8	7	6	5	-	3	2	1
MX123 CONN ASSY 73 CKT GRY OPT0 KEY B/18	345665643	C-HSG-B0	G-CAP-0-P	TPA-B0	RS	LS	MAL	CPA	MSEAL	RSEAL	-	71	70	69	68	67	66	65	64	63	-	-	60	59	58	57	56	55	54	53							
											-	51	50	49	-	47	-	45	44	-	42	-	-	39	38	37	36	35	34	33							
																						32	31	-	29	28	27	26	25	24	23	22	21	-	-	-	17
																						-	-	-	13	12	11	10	9	8	7	6	5	-	3	2	1
MX123 CONN ASSY 73 CKT BLK OPT0 KEY A/52	345665653	C-HSG-A0	G-CAP-0-P	TPA-A0	RS	LS	MAL	CPA	MSEAL	RSEAL	-	-	-	-	-	67	-	-	-	-	62	-	-	59	58	-	-	55	-	-							
											-	-	-	-	-	47	-	-	-	-	42	41	-	-	-	-	-	35	-	-							
																						-	-	-	-	-	27	-	-	24	-	-	-	20	19	18	-
																						16	-	-	-	-	11	10	-	8	-	-	-	4	3	-	1
MX123 CONN ASSY 73 CKT BLU OPT0 KEY C/37	345665663	C-HSG-C0	G-CAP-0-P	TPA-C0	RS	LS	MAL	CPA	MSEAL	RSEAL	72	71	70	-	68	-	-	65	-	63	-	61	-	59	58	-	56	-	-	53							
											-	-	-	49	-	47	-	-	-	43	-	41	40	39	38	-	36	-	-	-							
																						-	-	30	29	-	-	-	25	24	23	22	21	20	-	-	17
																						-	-	-	-	-	-	-	-	8	7	6	5	4	3	2	1
MX123 CONN ASSY 73 CKT BLU OPT0 KEY C/35	345665673	C-HSG-C0	G-CAP-0-P	TPA-C0	RS	LS	MAL	CPA	MSEAL	RSEAL	72	71	70	-	68	-	-	65	-	63	62	-	-	59	58	-	56	55	-	53							
											-	-	-	-	-	47	-	-	-	43	42	-	40	39	38	-	36	35	-	-							
																						-	-	30	29	-	-	26	-	24	23	22	21	20	19	-	17
																						-	-	-	-	-	-	-	-	8	7	6	5	4	3	2	1
MX123 CONN ASSY 73 CKT GRY OPT0 KEY B/18	345665683	C-HSG-B0	G-CAP-0-P	TPA-B0	RS	LS	MAL	CPA	MSEAL	RSEAL	-	71	70	69	68	67	66	65	64	63	-	-	60	59	58	57	56	55	54	53							
											-	51	50	49	-	47	-	45	-	-	42	-	-	39	38	37	36	35	34	33							
																						32	31	-	29	28	27	26	25	24	23	22	21	-	-	-	17
																						-	15	-	13	12	11	10	9	8	7	6	5	-	3	2	1
MX123 CONN ASSY 73 CKT BLK OPT0 KEY A/53	345665693	C-HSG-A0	G-CAP-0-P	TPA-A0	RS	LS	MAL	CPA	MSEAL	RSEAL	-	-	-	-	-	67	-	-	-	-	62	-	-	59	58	-	-	55	-	-							
											-	-	-	-	-	47	-	-	-	-	42	41	-	-	-	-	-	35	-	-							
																						-	-	-	-	-	27	-	-	24	-	-	-	-	19	18	17
																						16	-	-	-	-	11	10	-	8	-	-	-	-	3	-	1
MX123 CONN ASSY 73 CKT GRY OPT0 KEY B/52	345665703	C-HSG-B0	G-CAP-0-P	TPA-B0	RS	LS	MAL	CPA	MSEAL	RSEAL	72	71	70	69	-	67	66	65	64	63	62	61	60	-	58	-	56	-	54	-							
											52	51	50	-	-	47	-	45	44	43	42	41	40	-	38	-	36	-	34	-							
																						32	31	30	-	28	27	26	25	24	-	22	-	20	19	-	-
																						16	15	14	13	-	-	-	9	8	-	6	5	4	3	2	1
MX123 CONN ASSY 73 CKT BLU OPT0 KEY C/40	345665713	C-HSG-C0	G-CAP-0-P	TPA-C0	RS	LS	MAL	CPA	MSEAL	RSEAL	72	71	70	-	68	-	-	65	-	63	-	61	-	59	58	-	56	-	-	53							
											-	-	-	49	-	47	-	-	-	43	-	41	40	39	38	-	36	-	-	-							
																						-	-	30	29	-	-	-	25	24	23	22	21	20	-	-	-
																						-	-	-	-	-	-	-	-	-	-	6	5	4	3	2	1
MX123 CONN ASSY 73 CKT BLU OPT0 KEY C/36	345665723	C-HSG-C0	G-CAP-0-P	TPA-C0	RS	LS	MAL	CPA	MSEAL	RSEAL	72	71	70	-	68	-	-	65	-	63	62	-	-	59	58	-	56	55	-	53							
											-	-	-	-	-	47	-	-	-	43	42	-	40	39	38	-	36	35	-	-							
																						32	-	30	29	-	-	26	-	24	23	22	21	20	19	-	17
																						-	-	-	-	-	-	-	-	-	-	6	5	4	3	2	1
MX123 CONN ASSY 73 CKT BLK OPT0 KEY A/36	345665733	C-HSG-A0	G-CAP-0-P	TPA-A0	RS	LS	MAL	CPA	MSEAL	RSEAL	72	-	-	-	68	67	66	65	-	-	62	61	-	-	-	-	-	-	-								
											-	-	50	-	48	47	46	-	-	-	-	40	39	38	-	-	35	-	33	-							
																						-	31	-	29	-	27	-	25	24	23	22	21	20	-	-	17
																						-	-	14	13	-	11	-	9	8	7	6	5	4	-	2	1

ASSEMBLY DESCRIPTION	ASSEMBLY PART NUMBER	CONNECTOR HOUSING	GROMMET CAP	TPA	RIGHT SLIDE	LEFT SLIDE	MATE ASSIST LEVER	CPA	MAT SEAL	RING SEAL	BLOCKED TERMINALS																		STATUS	COMMENTS	INTEGRAL COMPONENTS SOLD SEPARATELY
											CAVITY WITH A NUMBER INDICATES BLOCKED TERMINAL POSITION																				DRESS COVER
											CAVITY WITHOUT A NUMBER INDICATES OPEN TERMINAL POSITION																				
MX123 CONN ASSY 73 CKT BLK OPT0 KEY A/36	345665743	C-HSG-A0	G-CAP-0-P	TPA-A0	RS	LS	MAL	CPA	MSEAL	RSEAL	72	-	-	-	68	-	66	65	-	-	62	61	-	-	58	-	-	-	-	-	
											-	-	50	-	48	47	46	-	-	-	-	40	39	38	-	-	35	-	33		
											-																				
MX123 CONN ASSY 73 CKT BLK OPT0 KEY A/39	345665753	C-HSG-A0	G-CAP-0-P	TPA-A0	RS	LS	MAL	CPA	MSEAL	RSEAL	72	-	-	-	68	67	66	65	-	-	62	61	-	-	58	-	-	-	-	-	
											-	-	50	-	48	47	46	-	-	-	-	40	39	38	-	-	35	-	33		
											-																				
MX123 CONN ASSY 73 CKT BLU OPT0 KEY C/42	345665763	C-HSG-C0	G-CAP-0-P	TPA-C0	RS	LS	MAL	CPA	MSEAL	RSEAL	-	71	-	69	-	67	-	65	64	-	-	61	60	-	58	-	56	55	54	-	
											-	-	50	49	-	-	-	45	-	43	-	41	-	-	38	-	-	35	-	-	
											-																				
MX123 CONN ASSY 73 CKT BLU OPT0 KEY C/41	345665773	C-HSG-C0	G-CAP-0-P	TPA-C0	RS	LS	MAL	CPA	MSEAL	RSEAL	-	71	-	69	-	67	66	65	64	-	-	61	60	-	-	56	55	54	-		
											-	-	50	49	-	-	46	45	-	43	-	41	-	-	38	-	-	35	-	-	
											-																				
MX123 CONN ASSY 73 CKT BLU OPT0 KEY C/38	345665783	C-HSG-C0	G-CAP-0-P	TPA-C0	RS	LS	MAL	CPA	MSEAL	RSEAL	-	71	-	69	-	67	66	65	64	-	-	61	60	-	58	-	56	55	54	-	
											-	-	50	49	-	-	46	45	-	43	-	41	-	-	38	-	-	35	-	-	
											-																				
MX123 CONN ASSY 73 CKT BLK OPT0 KEY B/34	345665793	C-HSG-B0	G-CAP-0-P	TPA-B0	RS	LS	MAL	CPA	MSEAL	RSEAL	-	71	-	69	-	67	-	65	64	63	62	61	-	-	58	57	56	-	-	-	
											-	51	-	49	-	47	-	45	44	43	42	41	-	-	38	37	36	-	-	-	
											-																				
MX123 CONN ASSY 73 CKT GRY OPT0 KEY B/55	345665803	C-HSG-B0	G-CAP-0-P	TPA-B0	RS	LS	MAL	CPA	MSEAL	RSEAL	72	71	70	69	68	67	66	-	64	63	62	61	60	-	58	-	56	-	54	-	
											52	51	50	-	-	-	46	45	44	43	42	41	40	-	38	-	36	-	34	-	
											-																				
MX123 CONN ASSY 73 CKT GRY OPT0 KEY B/38	345665813	C-HSG-B0	G-CAP-0-P	TPA-B0	RS	LS	MAL	CPA	MSEAL	RSEAL	-	71	-	69	-	67	-	65	64	63	62	61	-	-	58	57	56	-	-	-	
											-	51	-	49	-	47	-	45	44	43	42	41	-	-	38	37	36	-	-	-	
											-																				
MX123 CONN ASSY 73 CKT BLK OPT0 KEY A/21	345665823	C-HSG-A0	G-CAP-0-P	TPA-A0	RS	LS	MAL	CPA	MSEAL	RSEAL	-	71	-	69	68	67	66	65	64	-	62	61	60	59	58	57	56	55	54	53	
											-	51	50	-	48	47	46	45	44	-	42	-	40	39	38	37	36	35	34	33	
											-																				
MX123 CONN ASSY 73 CKT BLK OPT0 KEY A/22	345665833	C-HSG-A0	G-CAP-0-P	TPA-A0	RS	LS	MAL	CPA	MSEAL	RSEAL	-	71	-	69	68	67	66	65	64	-	62	61	60	59	58	57	56	55	54	53	
											-	51	50	-	48	47	46	45	44	-	42	-	40	39	38	37	36	35	34	33	
											-																				
MX123 CONN ASSY 73 CKT BLU OPT0 KEY C/36	345665863	C-HSG-C0	G-CAP-0-P	TPA-C0	RS	LS	MAL	CPA	MSEAL	RSEAL	-	71	-	69	68	67	-	65	64	-	-	61	60	-	58	-	-	-	54	-	
											-	-	50	49	48	47	-	45	-	43	-	41	-	-	38	-	-	35	-	-	
											-																				
MX123 CONN ASSY 73 CKT GRY OPT0 KEY B/20	345665873	C-HSG-B0	G-CAP-0-P	TPA-B0	RS	LS	MAL	CPA	MSEAL	RSEAL	-	71	70	69	68	67	66	65	64	63	-	-	60	59	58	57	56	55	54	53	
											-	51	50	49	-	-	-	45	-	-	42	-	-	39	38	37	36	35	34	33	
											-																				

ASSEMBLY DESCRIPTION	ASSEMBLY PART NUMBER	CONNECTOR HOUSING	GROMMET CAP	TPA	RIGHT SLIDE	LEFT SLIDE	MATE ASSIST LEVER	CPA	MAT SEAL	RING SEAL	BLOCKED TERMINALS																				STATUS	COMMENTS	INTEGRAL COMPONENTS SOLD SEPARATELY
											CAVITY WITH A NUMBER INDICATES BLOCKED TERMINAL POSITION																						DRESS COVER
											CAVITY WITHOUT A NUMBER INDICATES OPEN TERMINAL POSITION																						
MX123 CONN ASSY 73 CKT GRY OPT0 KEY B/19	345665883	C-HSG-B0	G-CAP-0-P	TPA-B0	RS	LS	MAL	CPA	MSEAL	RSEAL	-	71	70	69	68	67	66	65	64	63	-	-	60	59	58	57	56	55	54	53	SALEABLE		345650003
											-	51	50	49	-	-	-	45	44	-	42	-	-	39	38	37	36	35	34	33			
															32	31	-	29	28	27	26	25	24	23	22	21	-	-	-	17			
MX123 CONN ASSY 73 CKT BLU OPT0 KEY C/35	345665893	C-HSG-C0	G-CAP-0-P	TPA-C0	RS	LS	MAL	CPA	MSEAL	RSEAL	72	71	70	-	68	-	-	65	64	63	-	61	-	59	58	-	56	-	-	53	SALEABLE		345650003
											-	-	-	49	-	47	-	-	-	43	-	41	40	39	38	-	36	-	-	-			
															-	31	30	29	-	-	-	25	24	23	22	21	20	-	-	17			
MX123 CONN ASSY 73 CKT BLK OPT0 KEY A/40	345665903	C-HSG-A0	G-CAP-0-P	TPA-A0	RS	LS	MAL	CPA	MSEAL	RSEAL	-	-	70	-	-	-	-	65	-	-	-	61	60	-	58	57	56	55	54	-	SALEABLE		345650003
											52	51	50	49	-	47	46	45	-	-	-	41	40	-	38	37	36	-	34	-			
															-	31	30	-	28	-	26	25	24	-	22	21	20	19	18	-			
MX123 CONN ASSY 73 CKT BLU OPT0 KEY C/34	345665913	C-HSG-C0	G-CAP-0-P	TPA-C0	RS	LS	MAL	CPA	MSEAL	RSEAL	72	71	70	-	68	-	-	65	-	63	62	-	-	59	58	-	56	55	-	53	SALEABLE		345650003
											-	-	-	-	-	47	-	-	-	43	42	-	40	39	38	-	36	35	-	-			
															-	31	30	29	-	-	26	-	24	23	22	21	20	19	-	17			
MX123 CONN ASSY 73 CKT BLU OPT0 KEY C/38	345665933	C-HSG-C0	G-CAP-0-P	TPA-C0	RS	LS	MAL	CPA	MSEAL	RSEAL	-	71	-	69	-	67	-	65	64	-	-	61	60	-	58	-	-	-	54	-	SALEABLE		345650003
											-	-	50	49	-	-	-	45	-	43	-	41	-	-	38	37	36	35	-	-			
															-	31	-	29	28	27	-	-	24	-	-	-	20	19	18	17			
MX123 CONN ASSY 73 CKT BLU OPT0 KEY C/41	345665943	C-HSG-C0	G-CAP-0-P	TPA-C0	RS	LS	MAL	CPA	MSEAL	RSEAL	-	71	-	69	-	-	-	65	64	-	-	61	60	-	58	-	-	-	54	-	SALEABLE		345650003
											-	-	50	-	-	-	-	45	-	43	-	41	-	-	38	37	36	35	-	-			
															-	31	-	29	28	-	-	24	23	-	-	-	19	18	17				
MX123 CONN ASSY 73 CKT BLK OPT0 KEY A/45	345665953	C-HSG-A0	G-CAP-0-P	TPA-A0	RS	LS	MAL	CPA	MSEAL	RSEAL	72	-	-	-	68	67	66	-	-	-	-	-	-	59	-	-	-	-	-	SALEABLE		345650003	
											-	-	50	-	-	-	46	-	-	-	-	-	40	39	38	-	-	35	-				33
															-	31	-	-	-	-	-	25	-	23	22	21	20	-	-				17
MX123 CONN ASSY 73 CKT GRY OPT0 KEY B/51	345665963	C-HSG-B0	G-CAP-0-P	TPA-B0	RS	LS	MAL	CPA	MSEAL	RSEAL	-	-	-	69	-	-	-	65	64	63	-	-	-	-	-	-	-	-	SALEABLE		345650003		
											-	-	-	49	-	-	-	45	44	43	-	-	-	-	-	-	-	-				-	-
															-	-	-	-	-	-	-	-	23	22	21	20	19	-				17	
MX123 CONN ASSY 73 CKT BLU OPT0 KEY C/41	345665973	C-HSG-C0	G-CAP-0-P	TPA-C0	RS	LS	MAL	CPA	MSEAL	RSEAL	-	71	-	69	-	-	-	65	64	-	-	61	60	-	58	-	-	-	54	-	SALEABLE		345650003
											-	-	50	49	-	-	-	45	-	43	-	41	-	-	38	37	36	35	-	-			
															-	31	-	29	28	-	-	24	23	-	-	20	-	-	17				
MX123 CONN ASSY 73 CKT BLU OPT0 KEY C/36	345665983	C-HSG-C0	G-CAP-0-P	TPA-C0	RS	LS	MAL	CPA	MSEAL	RSEAL	72	71	70	-	68	-	-	65	-	63	-	61	-	59	58	-	56	-	-	53	SALEABLE		345650003
											-	-	-	49	-	47	-	-	-	43	-	41	40	39	38	-	36	-	-	-			
															-	31	30	29	-	-	-	25	24	23	22	21	20	-	-	17			
MX123 CONN ASSY 73 CKT BLK OPT0 KEY A/61	345665993	C-HSG-A0	G-CAP-0-P	TPA-A0	RS	LS	MAL	CPA	MSEAL	RSEAL	72	-	-	-	68	-	-	-	64	-	-	-	-	59	-	-	-	-	-	SALEABLE		345650003	
											-	-	-	-	48	-	46	-	-	-	-	-	-	38	-	-	-	-	33				
															-	-	-	-	-	-	-	-	-	22	-	-	-	-	-				
MX123 CONN ASSY 73 CKT GRY OPT0 KEY B/55	345666003	C-HSG-B0	G-CAP-0-P	TPA-B0	RS	LS	MAL	CPA	MSEAL	RSEAL	72	71	70	69	68	-	-	-	64	63	62	61	60	-	58	-	56	-	54	-	SALEABLE		345650003
											52	51	50	-	-	-	46	45	44	43	42	41	40	-	38	-	36	-	34	-			
															32	31	30	-	28	27	26	25	24	-	22	-	20	19	18	17			

ASSEMBLY DESCRIPTION	ASSEMBLY PART NUMBER	CONNECTOR HOUSING	GROMMET CAP	TPA	RIGHT SLIDE	LEFT SLIDE	MATE ASSIST LEVER	CPA	MAT SEAL	RING SEAL	BLOCKED TERMINALS																		STATUS	COMMENTS	INTEGRAL COMPONENTS SOLD SEPARATELY		
											CAVITY WITH A NUMBER INDICATES BLOCKED TERMINAL POSITION																				DRESS COVER		
											CAVITY WITHOUT A NUMBER INDICATES OPEN TERMINAL POSITION																						
MX123 CONN ASSY 73 CKT GRY OPT0 KEY B/46	345666013	C-HSG-B0	G-CAP-0-P	TPA-B0	RS	LS	MAL	CPA	MSEAL	RSEAL	72	71	70	-	68	-	66	-	64	63	62	-	-	-	-	56	55	-	-				
											52	-	-	-	-	-	-	-	44	-	42	41	-	-	38	-	36	35	-	-			
											-																		-	19	-	17	
MX123 CONN ASSY 73 CKT BLK OPT0 KEY A/56	345666023	C-HSG-A0	G-CAP-0-P	TPA-A0	RS	LS	MAL	CPA	MSEAL	RSEAL	-	-	-	-	-	-	66	65	64	63	62	61	-	-	-	-	55	-	-				
											-	-	-	-	-	-	46	-	-	-	42	41	-	-	-	-	-	-	-	-			
											-																		-	18	-	-	
MX123 CONN ASSY 73 CKT BLK OPT0 KEY A/39	345666033	C-HSG-A0	G-CAP-0-P	TPA-A0	RS	LS	MAL	CPA	MSEAL	RSEAL	72	71	-	-	68	67	66	65	64	-	-	-	60	59	-	-	-	-	-	-			
											-	-	50	-	48	47	46	45	-	-	-	-	40	39	38	-	-	35	-	33			
											-																		-	20	-	17	
MX123 CONN ASSY 73 CKT GRY OPT0 KEY B/23	345666043	C-HSG-B0	G-CAP-0-P	TPA-B0	RS	LS	MAL	CPA	MSEAL	RSEAL	72	71	70	69	-	-	-	-	-	63	62	61	60	59	-	57	56	-	54	53			
											52	51	50	49	48	47	-	-	44	43	42	41	40	39	-	37	36	-	34	33			
											-																		-	18	-	-	
MX123 CONN ASSY 73 CKT GRY OPT0 KEY B/20	345666053	C-HSG-B0	G-CAP-0-P	TPA-B0	RS	LS	MAL	CPA	MSEAL	RSEAL	-	71	70	69	68	67	66	65	64	63	-	-	60	59	58	57	56	55	54	53			
											-	51	50	49	-	-	-	45	44	-	42	-	-	39	38	37	36	35	34	33			
											-																		32	31	-	29	28
MX123 CONN ASSY 73 CKT BLU OPT0 KEY C/37	345666063	C-HSG-C0	G-CAP-0-P	TPA-C0	RS	LS	MAL	CPA	MSEAL	RSEAL	72	71	70	-	68	-	-	65	-	63	-	61	-	59	58	-	56	-	-	53			
											-	-	-	49	-	47	-	-	-	43	-	41	40	39	38	-	36	-	-	-			
											-																		-	20	-	-	
MX123 CONN ASSY 73 CKT BLU OPT0 KEY C/35	345666073	C-HSG-C0	G-CAP-0-P	TPA-C0	RS	LS	MAL	CPA	MSEAL	RSEAL	72	71	70	-	68	-	-	65	-	63	62	-	-	59	58	-	56	55	-	53			
											-	-	-	-	-	47	-	-	-	43	42	-	40	39	38	-	36	35	-	-			
											-																		-	19	-	-	
MX123 CONN ASSY 73 CKT BLU OPT0 KEY C/38	345666083	C-HSG-C0	G-CAP-0-P	TPA-C0	RS	LS	MAL	CPA	MSEAL	RSEAL	-	71	-	69	-	-	-	65	64	-	-	61	60	-	58	-	56	55	54	-			
											-	-	50	49	-	-	-	45	-	43	-	41	-	-	38	-	-	35	-	-			
											-																		-	18	17	-	-
MX123 CONN ASSY 73 CKT GRY OPT0 KEY B/22	345666093	C-HSG-B0	G-CAP-0-P	TPA-B0	RS	LS	MAL	CPA	MSEAL	RSEAL	-	71	-	69	68	-	66	65	64	-	-	-	-	58	57	56	55	54	53				
											-	51	50	49	48	47	-	45	44	-	42	-	-	39	38	37	36	35	34	33			
											-																		32	31	30	29	28
MX123 CONN ASSY 73 CKT GRY OPT0 KEY B/51	345666103	C-HSG-B0	G-CAP-0-P	TPA-B0	RS	LS	MAL	CPA	MSEAL	RSEAL	72	71	70	69	68	-	-	-	64	63	-	61	60	-	58	-	56	-	54	-			
											52	51	50	-	-	-	46	45	44	43	-	41	40	-	38	-	36	-	34	-			
											-																		32	31	30	-	28
MX123 CONN ASSY 73 CKT BLK OPT0 KEY A/66	345666113	C-HSG-A0	G-CAP-0-P	TPA-A0	RS	LS	MAL	CPA	MSEAL	RSEAL	-	-	-	-	-	67	-	-	-	-	-	-	-	59	-	-	-	-	-				
											-	-	-	-	-	47	-	-	-	-	-	-	-	-	-	-	-	35	-	-			
											-																		-	17	-	-	
MX123 CONN ASSY 73 CKT BLU OPT0 KEY C/33	345666123	C-HSG-C0	G-CAP-0-P	TPA-C0	RS	LS	MAL	CPA	MSEAL	RSEAL	72	71	70	-	68	-	-	65	-	63	-	61	-	59	58	-	56	55	-	53			
											-	-	-	49	-	47	-	-	-	43	-	41	40	39	38	-	36	35	-	-			
											-																		32	31	30	29	-

ASSEMBLY DESCRIPTION	ASSEMBLY PART NUMBER	CONNECTOR HOUSING	GROMMET CAP	TPA	RIGHT SLIDE	LEFT SLIDE	MATE ASSIST LEVER	CPA	MAT SEAL	RING SEAL	BLOCKED TERMINALS																		STATUS	COMMENTS	INTEGRAL COMPONENTS SOLD SEPARATELY		
											CAVITY WITH A NUMBER INDICATES BLOCKED TERMINAL POSITION																				DRESS COVER		
											CAVITY WITHOUT A NUMBER INDICATES OPEN TERMINAL POSITION																						
MX123 CONN ASSY 73 CKT BLU OPT9 KEY C/38	345666133	C-HSG-C9	G-CAP-9-P	TPA-C9	RS	LS	MAL	CPA	MSEAL	RSEAL	-	71	-	69	-	-	66	65	64	-	-	61	60	-	58	-	56	55	54	-	SALEABLE		345650003
											-	-	50	49	-	-	46	45	-	43	-	41	-	-	-	-	35	-	-				
											-																		16	-			
MX123 CONN ASSY 73 CKT GRY OPT9 KEY B/33	345666173	C-HSG-B9	G-CAP-9-P	TPA-B9	RS	LS	MAL	CPA	MSEAL	RSEAL	72	71	70	69	68	-	-	65	64	63	62	61	60	59	58	57	56	55	54	53	SALEABLE		345650003
											52	51	50	49	-	-	46	45	44	43	42	-	40	39	38	37	36	35	34	33			
											-																		-	-			
MX123 CONN ASSY 73 CKT BLK OPT9 KEY A/32	345666183	C-HSG-A9	G-CAP-9-P	TPA-A9	RS	LS	MAL	CPA	MSEAL	RSEAL	72	71	70	69	68	67	-	65	64	63	62	61	60	59	58	57	56	55	54	53	SALEABLE		345650003
											52	51	50	49	-	-	46	45	44	43	42	-	40	39	38	37	36	35	34	33			
											-																		-	-			
MX123 CONN ASSY 73 CKT GRY OPT9 KEY B/57	345666193	C-HSG-B9	G-CAP-9-P	TPA-B9	RS	LS	MAL	CPA	MSEAL	RSEAL	-	-	-	-	-	-	-	-	-	-	63	-	-	-	-	-	-	-	-	53	SALEABLE		345650003
											-	-	-	-	48	47	-	45	-	43	42	-	-	39	-	-	-	35	34	33			
											-																		-	-			
MX123 CONN ASSY 73 CKT BLK OPT0 KEY A/33	345666203	C-HSG-A0	G-CAP-0-P	TPA-A0	RS	LS	MAL	CPA	MSEAL	RSEAL	72	-	-	-	-	67	66	-	-	-	62	-	60	-	58	-	-	55	54	53	SALEABLE		345650003
											-	-	-	-	48	-	46	45	44	43	42	-	40	39	-	-	-	35	-	-			
											-																		-	-			
MX123 CONN ASSY 73 CKT BLK OPT9 KEY A/33	345666213	C-HSG-A9	G-CAP-9-P	TPA-A9	RS	LS	MAL	CPA	MSEAL	RSEAL	72	71	70	69	68	-	-	65	64	63	62	61	60	59	58	57	56	55	54	53	SALEABLE		345650003
											52	51	50	49	-	-	46	45	44	43	42	-	40	39	38	37	36	35	34	33			
											-																		-	-			
MX123 CONN ASSY 73 CKT BLU OPT9 KEY C/36	345666223	C-HSG-C9	G-CAP-9-P	TPA-C9	RS	LS	MAL	CPA	MSEAL	RSEAL	-	71	-	69	-	67	-	65	64	-	-	61	60	-	58	-	56	55	54	-	SALEABLE		345650003
											-	-	50	49	-	-	45	-	43	42	41	-	-	38	37	36	35	-	-				
											-																		16	-			
MX123 CONN ASSY 73 CKT GRY OPT9 KEY B/34	345666233	C-HSG-B9	G-CAP-9-P	TPA-B9	RS	LS	MAL	CPA	MSEAL	RSEAL	-	71	-	69	-	67	-	65	64	63	62	61	-	-	58	57	56	-	-	-	SALEABLE		345650003
											-	51	-	49	-	47	-	45	44	43	42	41	-	-	38	37	36	-	-	-			
											-																		-	15			
MX123 CONN ASSY 73 CKT BLK OPT9 KEY A/39	345666243	C-HSG-A9	G-CAP-9-P	TPA-A9	RS	LS	MAL	CPA	MSEAL	RSEAL	72	-	-	-	68	67	66	65	-	-	62	61	-	-	-	-	-	-	-	SALEABLE		345650003	
											-	-	-	-	48	47	46	-	-	-	-	40	-	38	-	-	35	-	33				
											-																		-				31
MX123 CONN ASSY 73 CKT BLU OPT9 KEY C/43	345666253	C-HSG-C9	G-CAP-9-P	TPA-C9	RS	LS	MAL	CPA	MSEAL	RSEAL	-	71	-	69	-	-	-	65	64	-	-	61	60	-	58	-	56	55	54	-	SALEABLE		345650003
											-	-	50	-	-	-	45	-	43	42	41	-	-	38	-	-	35	-	-				
											-																		16	-			
MX123 CONN ASSY 73 CKT GRY OPT9 KEY B/53	345666263	C-HSG-B9	G-CAP-9-P	TPA-B9	RS	LS	MAL	CPA	MSEAL	RSEAL	-	-	-	69	-	-	-	65	64	63	-	-	-	-	-	-	-	-	-	SALEABLE		345650003	
											-	-	-	49	-	-	45	44	43	-	-	-	-	-	-	-	-	-	-				-
											-																		-				-
MX123 CONN ASSY 73 CKT GRY OPT9 KEY B/48	345666273	C-HSG-B9	G-CAP-9-P	TPA-B9	RS	LS	MAL	CPA	MSEAL	RSEAL	72	-	-	-	68	67	66	-	-	-	-	-	-	59	-	-	-	-	-	SALEABLE		345650003	
											-	-	-	-	-	-	46	-	-	-	-	-	40	-	38	-	-	35	-				33
											-																		-				31



ASSEMBLY DESCRIPTION	ASSEMBLY PART NUMBER	CONNECTOR HOUSING	GROMMET CAP	TPA	RIGHT SLIDE	LEFT SLIDE	MATE ASSIST LEVER	CPA	MAT SEAL	RING SEAL	BLOCKED TERMINALS																		STATUS	COMMENTS	INTEGRAL COMPONENTS SOLD SEPARATELY
											CAVITY WITH A NUMBER INDICATES BLOCKED TERMINAL POSITION																				DRESS COVER
											CAVITY WITHOUT A NUMBER INDICATES OPEN TERMINAL POSITION																				
MX123 CONN ASSY 73 CKT BLU OPT9 KEY C/35	345666283	C-HSG-C9	G-CAP-9-P	TPA-C9	RS	LS	MAL	CPA	MSEAL	RSEAL	-	71	-	69	-	-	-	65	64	-	-	61	60	-	58	-	56	55	54	-	
											-	-	50	49	-	-	-	45	-	43	42	41	-	-	38	37	36	35	-	-	
															-	31	-	29	28	-	-	-	24	23	-	-	20	19	18	17	
											-	16	-	-	13	12	11	-	-	8	7	-	-	-	3	2	1				
MX123 CONN ASSY 73 CKT GRY OPT9 KEY B/51	345666293	C-HSG-B9	G-CAP-9-P	TPA-B9	RS	LS	MAL	CPA	MSEAL	RSEAL	-	-	-	69	-	-	-	65	64	63	-	-	-	-	-	-	-	-	-		
											-	-	-	49	-	-	-	45	44	43	-	-	-	-	-	-	-	-	-		
															-	-	-	-	-	-	-	-	23	22	21	20	19	18	-		
											-	-	-	-	12	11	-	9	-	7	6	5	4	3	-	-					
MX123 CONN ASSY 73 CKT BLK OPT0 KEY A/32	345666303	C-HSG-A0	G-CAP-0-P	TPA-A0	RS	LS	MAL	CPA	MSEAL	RSEAL	72	-	-	-	-	67	66	-	-	-	62	-	60	-	58	-	55	54	53		
											-	-	-	-	48	-	46	45	44	43	42	-	40	39	-	-	-	35	-	-	
															-	-	-	-	-	-	26	25	-	-	22	21	-	-	-	17	
											-	15	14	-	-	-	-	-	8	7	6	5	4	3	-	-					
MX123 CONN ASSY 73 CKT GRY OPT9 KEY B/40	345666313	C-HSG-B9	G-CAP-9-P	TPA-B9	RS	LS	MAL	CPA	MSEAL	RSEAL	72	71	-	-	68	67	66	65	64	-	-	-	-	59	-	-	-	-	-		
											-	-	-	-	48	47	46	45	-	-	-	-	40	-	38	-	-	35	-	33	
															-	31	30	-	-	-	-	25	24	23	22	21	20	-	-	17	
											-	-	-	-	-	-	-	9	8	7	6	5	4	-	2	1					
MX123 CONN ASSY 73 CKT GRY OPT9 KEY B/39	345666323	C-HSG-B9	G-CAP-9-P	TPA-B9	RS	LS	MAL	CPA	MSEAL	RSEAL	72	-	-	-	68	67	66	65	-	-	62	61	-	-	-	-	-	-			
											-	-	-	-	48	47	46	-	-	-	-	40	-	38	-	-	35	-	33		
															-	31	-	29	-	27	-	25	24	23	22	21	20	-	-	17	
											-	-	-	13	-	11	-	9	8	7	6	5	4	-	2	1					
MX123 CONN ASSY 73 CKT BLU OPT9 KEY C/40	345666333	C-HSG-C9	G-CAP-9-P	TPA-C9	RS	LS	MAL	CPA	MSEAL	RSEAL	-	71	-	69	-	-	-	65	64	-	-	61	60	-	58	-	-	-	54	-	
											-	-	50	49	-	-	-	45	-	43	42	41	-	-	38	37	36	35	-	-	
															-	31	-	29	28	-	-	-	24	23	-	-	20	-	-	17	
											-	16	-	-	13	12	11	-	-	8	7	-	-	-	-	2	1				
MX123 CONN ASSY 73 CKT BLK OPT9 KEY A/44	345666343	C-HSG-A9	G-CAP-9-P	TPA-A9	RS	LS	MAL	CPA	MSEAL	RSEAL	72	71	-	-	68	67	66	65	64	-	-	-	-	59	-	-	-	-	-		
											-	-	-	-	48	47	46	45	-	-	-	-	-	38	-	-	35	-	33		
															-	31	30	-	-	-	-	25	24	23	22	21	20	-	-	-	
											-	-	-	-	-	-	-	9	8	7	6	5	4	-	-	-					
MX123 CONN ASSY 73 CKT BLU OPT9 KEY C/43	345666353	C-HSG-C9	G-CAP-9-P	TPA-C9	RS	LS	MAL	CPA	MSEAL	RSEAL	-	71	-	69	-	67	-	65	64	-	-	61	60	-	-	-	-	54	-		
											-	-	50	49	-	-	-	45	-	43	42	41	-	-	38	37	36	35	-	-	
															-	31	-	29	28	-	-	-	24	-	-	-	-	19	18	-	
											-	16	-	-	-	12	11	-	-	8	-	-	-	-	3	2	-				
MX123 CONN ASSY 73 CKT GRY OPT9 KEY B/38	345666363	C-HSG-B9	G-CAP-9-P	TPA-B9	RS	LS	MAL	CPA	MSEAL	RSEAL	-	71	-	69	-	67	-	65	64	63	62	61	-	-	58	57	56	-	-	-	
											-	51	-	49	-	47	-	45	44	43	42	41	-	-	38	37	36	-	-	-	
															-	-	-	-	-	-	-	-	-	22	21	20	-	-	-		
											-	15	14	13	12	11	-	9	-	-	6	5	4	3	-	-					
MX123 CONN ASSY 73 CKT BLK OPT9 KEY A/50	345666373	C-HSG-A9	G-CAP-9-P	TPA-A9	RS	LS	MAL	CPA	MSEAL	RSEAL	-	-	-	-	68	-	66	65	-	-	62	61	-	-	-	-	-	-			
											-	-	-	-	48	-	46	-	-	-	-	-	-	38	-	-	35	-	33		
															-	31	-	29	-	27	-	25	24	-	22	-	20	-	-	-	
											-	-	-	13	-	11	-	9	-	7	6	-	4	-	-	-					
MX123 CONN ASSY 73 CKT BLK OPT9 KEY A/52	345666383	C-HSG-A9	G-CAP-9-P	TPA-A9	RS	LS	MAL	CPA	MSEAL	RSEAL	-	-	-	-	-	67	-	-	-	-	62	-	-	59	58	-	-	55	-	-	
											-	-	-	-	-	47	-	-	-	-	-	-	-	-	-	-	35	-	-		
															-	-	-	-	-	27	26	25	24	-	-	-	20	19	18	17	
											-	16	-	-	-	-	11	10	-	8	-	-	-	4	3	-	-				
MX123 CONN ASSY 73 CKT BLU OPT9 KEY C/47	345666393	C-HSG-C9	G-CAP-9-P	TPA-C9	RS	LS	MAL	CPA	MSEAL	RSEAL	72	-	-	-	68	-	-	-	-	63	-	-	-	59	-	-	56	-	-	53	
											-	-	-	-	-	-	-	-	-	43	-	-	40	39	-	-	36	-	-	-	
															-	31	30	29	-	-	-	-	24	23	22	21	20	-	-	-	
											-	-	-	-	-	-	-	-	8	7	6	5	4	3	2	1					

ASSEMBLY DESCRIPTION	ASSEMBLY PART NUMBER	CONNECTOR HOUSING	GROMMET CAP	TPA	RIGHT SLIDE	LEFT SLIDE	MATE ASSIST LEVER	CPA	MAT SEAL	RING SEAL	BLOCKED TERMINALS																				STATUS	COMMENTS	INTEGRAL COMPONENTS SOLD SEPARATELY
											CAVITY WITH A NUMBER INDICATES BLOCKED TERMINAL POSITION																						DRESS COVER
											CAVITY WITHOUT A NUMBER INDICATES OPEN TERMINAL POSITION																						
MX123 CONN ASSY 73 CKT BLK OPT0 KEY A/34	345666403	C-HSG-A0	G-CAP-0-P	TPA-A0	RS	LS	MAL	CPA	MSEAL	RSEAL	72	-	70	-	-	67	66	-	-	-	62	-	60	-	-	57	-	55	54	53	SALEABLE		345650003
											-	51	-	-	48	-	46	45	44	43	42	-	40	39	-	-	-	35	-	-			
																					-	15	14	-	-	-	-	-	8	7			
MX123 CONN ASSY 73 CKT GRY OPT9 KEY B/35	345666413	C-HSG-B9	G-CAP-9-P	TPA-B9	RS	LS	MAL	CPA	MSEAL	RSEAL	-	71	70	69	-	-	66	65	64	-	-	-	-	58	57	56	-	54	53	SALEABLE		345650003	
											-	51	50	49	-	-	-	45	-	-	42	-	-	39	-	-	-	-	34				33
																					32	31	-	29	28	-	26	25	24				23
MX123 CONN ASSY 73 CKT BLU OPT9 KEY C/41	345666423	C-HSG-C9	G-CAP-9-P	TPA-C9	RS	LS	MAL	CPA	MSEAL	RSEAL	-	-	-	-	68	-	-	-	-	63	62	61	60	59	58	57	-	55	-	53	SALEABLE		345650003
											-	-	-	-	48	-	-	-	-	43	42	41	40	-	-	37	36	35	-	33			
																					32	-	-	-	-	27	-	-	24	-			
MX123 CONN ASSY 73 CKT BLK OPT9 KEY A/36	345666433	C-HSG-A9	G-CAP-9-P	TPA-A9	RS	LS	MAL	CPA	MSEAL	RSEAL	-	71	-	69	68	-	66	65	64	-	62	61	-	-	-	-	-	54	53	SALEABLE		345650003	
											-	-	50	49	-	-	-	45	44	-	-	41	-	-	-	-	-	-	34				33
																					32	31	30	29	-	-	26	25	24				23
MX123 CONN ASSY 73 CKT GRY OPT9 KEY B/64	345666443	C-HSG-B9	G-CAP-9-P	TPA-B9	RS	LS	MAL	CPA	MSEAL	RSEAL	-	-	-	-	-	-	-	-	-	-	62	-	-	59	58	-	-	-	54	53	SALEABLE		345650003
											-	-	-	-	-	-	-	-	-	-	42	-	-	39	-	-	-	-	-	-			
																					-	-	-	-	-	27	-	-	-	-			
MX123 CONN ASSY 73 CKT BLU OPT0 KEY C/43	345666453	C-HSG-C0	G-CAP-0-P	TPA-C0	RS	LS	MAL	CPA	MSEAL	RSEAL	72	-	-	-	68	-	66	-	-	63	-	-	-	59	58	-	56	55	-	53	SALEABLE		345650003
											-	-	-	-	-	-	-	-	-	43	-	-	40	39	38	-	36	35	-	-			
																					-	31	30	29	-	-	-	24	23	22			
MX123 CONN ASSY 73 CKT GRY OPT0 KEY B/23	345666463	C-HSG-B0	G-CAP-0-P	TPA-B0	RS	LS	MAL	CPA	MSEAL	RSEAL	-	71	70	69	-	-	66	65	64	63	-	-	60	59	58	57	56	-	54	53	SALEABLE		345650003
											-	51	50	49	-	-	-	45	44	-	42	41	-	39	38	37	36	35	34	33			
																					32	31	-	29	28	27	26	25	24	23			
MX123 CONN ASSY 73 CKT BLU OPT9 KEY C/40	345666473	C-HSG-C9	G-CAP-9-P	TPA-C9	RS	LS	MAL	CPA	MSEAL	RSEAL	72	71	-	-	68	-	-	65	-	63	-	61	-	59	58	-	56	-	-	53	SALEABLE		345650003
											-	-	-	49	-	47	-	-	-	43	-	41	40	39	38	-	36	-	-	-			
																					-	31	30	29	-	-	-	25	24	23			
MX123 CONN ASSY 73 CKT BLK OPT9 KEY A/52	345666483	C-HSG-A9	G-CAP-9-P	TPA-A9	RS	LS	MAL	CPA	MSEAL	RSEAL	-	-	-	-	-	67	-	-	-	-	62	-	-	59	58	-	-	55	-	-	SALEABLE		345650003
											-	-	-	-	-	47	-	-	-	-	42	41	-	-	-	-	-	35	-	-			
																					-	-	-	-	-	27	-	-	24	-			
MX123 CONN ASSY 73 CKT GRY OPT9 KEY B/22	345666493	C-HSG-B9	G-CAP-9-P	TPA-B9	RS	LS	MAL	CPA	MSEAL	RSEAL	-	71	-	69	68	67	66	65	64	63	-	-	60	59	58	57	56	-	54	53	SALEABLE		345650003
											-	51	50	49	-	-	-	45	44	-	42	-	-	39	38	37	36	35	34	33			
																					32	31	-	29	28	27	26	25	24	23			
MX123 CONN ASSY 73 CKT BLK OPT0 KEY A/33	345666503	C-HSG-A0	G-CAP-0-P	TPA-A0	RS	LS	MAL	CPA	MSEAL	RSEAL	72	-	70	-	-	67	66	-	-	-	62	-	60	-	-	57	-	55	54	53	SALEABLE		345650003
											-	51	-	-	48	-	46	45	44	43	42	-	40	39	-	-	-	35	-	-			
																					-	15	14	-	-	-	-	-	8	7			
MX123 CONN ASSY 73 CKT GRY OPT0 KEY B/23	345666513	C-HSG-B0	G-CAP-0-P	TPA-B0	RS	LS	MAL	CPA	MSEAL	RSEAL	-	71	70	69	-	-	66	65	64	63	-	-	60	59	58	57	56	-	-	53	SALEABLE		345650003
											-	51	50	49	48	47	-	45	44	-	42	41	-	39	38	37	36	35	34	33			
																					32	31	30	29	28	27	26	25	24	23			



ASSEMBLY DESCRIPTION	ASSEMBLY PART NUMBER	CONNECTOR HOUSING	GROMMET CAP	TPA	RIGHT SLIDE	LEFT SLIDE	MATE ASSIST LEVER	CPA	MAT SEAL	RING SEAL	BLOCKED TERMINALS																				STATUS	COMMENTS	INTEGRAL COMPONENTS SOLD SEPARATELY						
											CAVITY WITH A NUMBER INDICATES BLOCKED TERMINAL POSITION																						DRESS COVER						
											CAVITY WITHOUT A NUMBER INDICATES OPEN TERMINAL POSITION																												
MX123 CONN ASSY 73 CKT GRY OPT0 KEY B/25	345666523	C-HSG-B0	G-CAP-0-P	TPA-B0	RS	LS	MAL	CPA	MSEAL	RSEAL	72	71	70	69	-	-	66	65	-	63	62	61	60	-	-	57	56	55	-	53	SALEABLE		345650003						
											52	51	50	49	48	47	-	-	44	43	42	41	40	-	-	37	36	35	34	33									
																					-	31	-	-	-	-	26	25	24	-				-	21	20	19	18	-
																					16	-	14	-	12	-	-	9	8	7				-	5	4	3	2	-
MX123 CONN ASSY 73 CKT GRY OPT9 KEY B/15	345666533	C-HSG-B9	G-CAP-9-P	TPA-B9	RS	LS	MAL	CPA	MSEAL	RSEAL	72	71	70	69	-	-	66	65	-	63	62	61	60	59	58	57	56	55	54	53	SALEABLE		345650003						
											52	51	50	49	48	47	-	-	44	43	42	41	40	39	38	37	36	35	34	33									
																					-	31	-	-	-	-	26	25	24	23				22	21	20	19	18	-
																					16	15	14	13	12	11	-	9	8	-				6	5	4	3	2	-
MX123 CONN ASSY 73 CKT BLK OPT9 KEY A/53	345666543	C-HSG-A9	G-CAP-9-P	TPA-A9	RS	LS	MAL	CPA	MSEAL	RSEAL	-	-	-	-	-	67	-	-	-	-	62	-	-	59	58	-	-	55	-	-	SALEABLE		345650003						
											-	-	-	-	-	47	-	-	-	-	42	41	-	-	-	-	-	35	-	-									
																					-	-	-	-	-	27	-	-	24	-				-	-	-	19	18	17
																					16	-	-	-	-	11	10	-	8	-				-	-	-	3	-	1
MX123 CONN ASSY 73 CKT BLK OPT9 KEY A/46	345666553	C-HSG-A9	G-CAP-9-P	TPA-A9	RS	LS	MAL	CPA	MSEAL	RSEAL	-	-	-	-	68	-	66	65	-	-	62	61	-	-	-	-	-	-	-	SALEABLE		345650003							
											-	-	-	-	48	-	46	-	-	-	-	-	-	38	-	-	35	-	33										
																					-	31	-	29	-	27	-	25	24				23	22	21	20	-	-	-
																					16	-	-	13	12	11	-	9	-				7	6	-	4	-	-	-
MX123 CONN ASSY 73 CKT BLU OPT9 KEY C/41	345666563	C-HSG-C9	G-CAP-9-P	TPA-C9	RS	LS	MAL	CPA	MSEAL	RSEAL	-	71	-	69	-	67	-	65	64	-	-	61	60	-	-	-	56	55	54	-	SALEABLE		345650003						
											-	-	50	49	-	-	-	45	-	43	42	41	-	-	38	37	36	35	-	-									
																					-	31	-	29	28	-	-	24	-	-				-	-	19	18	-	
																					16	-	-	-	12	11	-	8	-	-				-	-	3	2	-	
MX123 CONN ASSY 73 CKT BLK OPT9 KEY A/47	345666573	C-HSG-A9	G-CAP-9-P	TPA-A9	RS	LS	MAL	CPA	MSEAL	RSEAL	-	-	-	-	68	-	66	65	-	-	62	61	-	-	-	-	-	-	SALEABLE		345650003								
											-	-	-	-	48	-	46	-	-	-	-	-	-	38	-	-	35	-				33							
																					-	31	-	29	-	27	-	25				24	-	22	-	20	-	-	17
																					-	-	-	13	-	11	-	9				-	7	6	-	4	-	2	1
MX123 CONN ASSY 73 CKT BLK OPT9 KEY A/41	345666583	C-HSG-A9	G-CAP-9-P	TPA-A9	RS	LS	MAL	CPA	MSEAL	RSEAL	72	71	-	-	68	67	66	65	64	-	-	-	-	59	-	-	-	-	-	SALEABLE		345650003							
											-	-	-	-	48	47	46	45	-	-	-	-	-	38	-	-	35	-	33										
																					-	31	30	-	-	-	25	24	23				22	21	20	-	-	17	
																					-	-	-	-	-	-	9	8	7				6	5	4	-	2	1	
MX123 CONN ASSY 73 CKT BLU OPT0 KEY C/37	345666593	C-HSG-C0	G-CAP-0-P	TPA-C0	RS	LS	MAL	CPA	MSEAL	RSEAL	72	71	70	-	68	-	66	65	-	63	-	61	-	59	58	-	56	-	-	53	SALEABLE		345650003						
											-	-	-	49	-	47	-	-	-	43	-	41	40	39	38	-	36	-	-										
																					-	31	30	29	-	-	-	25	24	23				22	21	-	-	-	
																					-	-	-	-	-	-	-	8	7	6				5	4	3	2	1	
MX123 CONN ASSY 73 CKT BLK OPT0 KEY A/50	345666613	C-HSG-A0	G-CAP-0-P	TPA-A0	RS	LS	MAL	CPA	MSEAL	RSEAL	-	-	-	-	68	67	-	65	-	-	62	-	-	59	58	-	-	55	-	-	SALEABLE		345650003						
											-	-	-	-	48	47	-	-	-	42	41	-	-	-	-	35	-	-											
																					-	-	-	-	-	27	-	-	24	-				-	20	19	18	17	
																					-	-	-	-	-	11	10	-	8	-				-	-	4	3	-	-
MX123 CONN ASSY 73 CKT GRY OPT9 KEY B/25	345666623	C-HSG-B9	G-CAP-9-P	TPA-B9	RS	LS	MAL	CPA	MSEAL	RSEAL	72	71	70	69	-	-	66	65	-	63	62	61	60	-	-	57	56	55	-	53	SALEABLE		345650003						
											52	51	50	49	48	47	-	-	44	43	42	41	40	-	-	37	36	35	34	33									
																					-	31	-	-	-	-	26	25	24	-				-	21	20	19	18	-
																					16	-	14	-	12	-	-	9	8	7				-	5	4	3	2	-
MX123 CONN ASSY 73 CKT BLU OPT9 KEY C/33	345666633	C-HSG-C9	G-CAP-9-P	TPA-C9	RS	LS	MAL	CPA	MSEAL	RSEAL	72	71	70	-	68	-	-	65	-	63	-	61	-	59	58	-	56	55	-	53	SALEABLE		345650003						
											-	-	-	49	-	47	-	-	-	43	-	41	40	39	38	-	36	35	-	-									
																					32	31	30	29	-	-	-	25	24	23				22	21	20	19	18	17
																					-	-	-	-	-	-	-	-	-	-				6	5	4	3	2	1
MX123 CONN ASSY 73 CKT BLU OPT9 KEY C/37	345666643	C-HSG-C9	G-CAP-9-P	TPA-C9	RS	LS	MAL	CPA	MSEAL	RSEAL	72	-	70	69	-	-	66	-	-	-	62	-	-	59	-	-	56	55	-	53	SALEABLE		345650003						
											-	-	-	49	-	47	46	-	44	-	42	-	40	39	-	-	36	35	-	-									
																					32	31	30	29	-	-	26	-	24	23				22	21	20	19	-	17
																					-	-	-	-	-	-	-	-	-	-				6	5	4	3	2	1

ASSEMBLY DESCRIPTION	ASSEMBLY PART NUMBER	CONNECTOR HOUSING	GROMMET CAP	TPA	RIGHT SLIDE	LEFT SLIDE	MATE ASSIST LEVER	CPA	MAT SEAL	RING SEAL	BLOCKED TERMINALS																				STATUS	COMMENTS	INTEGRAL COMPONENTS SOLD SEPARATELY
											CAVITY WITH A NUMBER INDICATES BLOCKED TERMINAL POSITION																						DRESS COVER
											CAVITY WITHOUT A NUMBER INDICATES OPEN TERMINAL POSITION																						
MX123 CONN ASSY 73 CKT GRY OPT9 KEY B/30	345666653	C-HSG-B9	G-CAP-9-P	TPA-B9	RS	LS	MAL	CPA	MSEAL	RSEAL	-	71	70	69	-	67	66	65	64	63	-	-	-	-	58	57	56	-	54	53			
											-	51	50	49	-	-	-	45	-	-	42	-	-	39	-	-	-	-	34	33			
															32	31	-	29	28	27	26	25	24	23	22	21	-	-	-	17			
															-	15	-	13	12	11	10	9	-	7	6	-	-	3	2	-			
MX123 CONN ASSY 73 CKT BLK OPT9 KEY A/51	345666663	C-HSG-A9	G-CAP-9-P	TPA-A9	RS	LS	MAL	CPA	MSEAL	RSEAL	-	-	-	-	-	67	-	-	-	-	62	61	-	59	58	-	-	55	-	53			
											-	-	-	-	-	47	-	-	-	-	41	-	-	-	-	-	35	-	33				
															-	-	-	-	-	27	-	-	24	-	-	-	-	19	18	17			
															16	-	-	-	-	11	10	-	8	-	-	-	-	3	-	1			
MX123 CONN ASSY 73 CKT GRY OPT9 KEY B/65	345666673	C-HSG-B9	G-CAP-9-P	TPA-B9	RS	LS	MAL	CPA	MSEAL	RSEAL	-	-	-	-	-	-	-	-	-	-	62	-	-	-	58	-	-	-	54	53			
											-	-	-	-	-	-	-	-	-	-	42	-	-	-	-	-	-	-	-				
															-	-	-	-	-	27	-	25	-	-	-	-	-	-	-				
															-	-	-	-	-	-	10	-	-	-	-	-	-	-	-				
MX123 CONN ASSY 73 CKT BLK OPT9 KEY A/37	345666683	C-HSG-A9	G-CAP-9-P	TPA-A9	RS	LS	MAL	CPA	MSEAL	RSEAL	-	71	-	69	68	-	66	65	64	-	62	61	-	-	-	-	56	55	54	53			
											-	51	50	49	-	-	-	45	44	-	-	41	-	-	-	-	36	35	34	33			
															-	-	-	-	-	-	26	25	24	23	-	-	20	19	18	17			
															-	-	-	-	-	-	10	-	8	7	-	5	4	3	-	-			
MX123 CONN ASSY 73 CKT BLU OPT9 KEY C/43	345666693	C-HSG-C9	G-CAP-9-P	TPA-C9	RS	LS	MAL	CPA	MSEAL	RSEAL	-	-	-	-	68	-	-	-	-	63	62	61	60	59	58	57	-	55	-	53			
											-	-	-	-	48	-	-	-	-	43	42	41	40	-	-	37	36	35	-	33			
															32	-	-	-	-	27	-	-	-	-	-	20	19	18	-				
															-	-	-	-	-	11	10	-	-	-	-	-	4	3	2	1			
MX123 CONN ASSY 73 CKT BLK OPT9 KEY A/54	345666713	C-HSG-A9	G-CAP-9-P	TPA-A9	RS	LS	MAL	CPA	MSEAL	RSEAL	-	-	-	-	-	67	-	-	-	-	62	-	-	59	58	-	-	55	-	-			
											-	-	-	-	-	47	-	-	-	-	-	-	-	-	-	35	-	-					
															-	-	-	-	-	27	-	-	24	-	-	20	19	18	17				
															16	-	-	-	-	11	10	-	8	-	-	-	4	3	-	-			
MX123 CONN ASSY 73 CKT BLU OPT9 KEY C/35	345666743	C-HSG-C9	G-CAP-9-P	TPA-C9	RS	LS	MAL	CPA	MSEAL	RSEAL	72	-	70	-	-	-	66	-	-	-	62	-	-	59	58	-	56	55	54	53			
											-	-	-	49	-	47	-	-	44	-	42	-	40	39	38	-	36	35	-	-			
															32	31	30	29	-	-	26	-	24	23	22	21	20	19	18	17			
															-	-	-	-	-	-	-	-	-	-	6	5	4	3	2	1			
MX123 CONN ASSY 73 CKT BLK OPT9 KEY A/49	345666753	C-HSG-A9	G-CAP-9-P	TPA-A9	RS	LS	MAL	CPA	MSEAL	RSEAL	-	-	-	-	-	67	-	-	-	63	62	-	-	59	58	-	-	55	-	-			
											-	-	-	-	-	47	-	-	-	-	41	-	-	-	-	-	35	-	-				
															32	-	-	-	-	27	26	25	24	-	-	-	-	19	18	17			
															16	-	-	-	-	11	10	9	8	-	-	-	-	3	-	1			
MX123 CONN ASSY 73 CKT GRY OPT9 KEY B/26	345666763	C-HSG-B9	G-CAP-9-P	TPA-B9	RS	LS	MAL	CPA	MSEAL	RSEAL	-	71	70	69	-	67	66	65	64	63	-	-	60	59	58	57	56	-	54	53			
											-	51	-	-	48	47	-	-	44	-	42	41	-	39	38	37	36	35	-	33			
															32	31	30	-	28	27	26	25	24	23	-	-	-	-	-	17			
															-	15	-	13	12	11	10	9	-	7	-	-	-	3	2	1			
MX123 CONN ASSY 73 CKT BLU OPT0 KEY C/40	345666773	C-HSG-C0	G-CAP-0-P	TPA-C0	RS	LS	MAL	CPA	MSEAL	RSEAL	-	71	-	69	-	67	-	65	64	-	-	61	60	-	-	-	56	55	54	-			
											-	-	50	-	-	-	-	45	-	43	-	41	-	-	38	37	36	35	-	-			
															-	31	-	29	28	27	-	-	24	23	-	-	20	-	-	-			
															16	-	-	13	12	11	-	-	8	7	-	-	-	3	2	-			
MX123 CONN ASSY 73 CKT GRY OPT0 KEY B/37	345666783	C-HSG-B0	G-CAP-0-P	TPA-B0	RS	LS	MAL	CPA	MSEAL	RSEAL	-	71	-	69	-	67	-	65	64	63	62	61	-	-	58	57	56	-	-	-			
											-	51	-	49	-	47	-	45	44	-	42	41	-	-	38	37	36	-	-	-			
															-	-	-	-	-	-	-	-	-	-	22	21	20	19	18	-			
															-	15	14	13	12	11	-	9	-	-	6	5	4	3	-	-			
MX123 CONN ASSY 73 CKT GRY OPT0 KEY B/42	345666793	C-HSG-B0	G-CAP-0-P	TPA-B0	RS	LS	MAL	CPA	MSEAL	RSEAL	-	71	-	69	-	67	-	65	-	-	62	61	-	-	58	57	56	-	-	-			
											-	51	-	49	-	47	-	45	44	-	42	41	-	-	38	37	36	-	-	-			
															-	-	-	-	-	-	-	-	-	-	22	21	-	19	18	-			
															-	15	14	13	12	11	-	9	-	-	6	-	-	3	-	-			

ASSEMBLY DESCRIPTION	ASSEMBLY PART NUMBER	CONNECTOR HOUSING	GROMMET CAP	TPA	RIGHT SLIDE	LEFT SLIDE	MATE ASSIST LEVER	CPA	MAT SEAL	RING SEAL	BLOCKED TERMINALS																		STATUS	COMMENTS	INTEGRAL COMPONENTS SOLD SEPARATELY		
											CAVITY WITH A NUMBER INDICATES BLOCKED TERMINAL POSITION																				DRESS COVER		
											CAVITY WITHOUT A NUMBER INDICATES OPEN TERMINAL POSITION																						
MX123 CONN ASSY 73 CKT GRY OPT0 KEY B/55	345666803	C-HSG-B0	G-CAP-0-P	TPA-B0	RS	LS	MAL	CPA	MSEAL	RSEAL	72	71	70	69	68	67	66	65	64	63	62	61	60	59	58	57	56	55	54	53	SALEABLE		345650003
											52	51	50	-	-	47	-	45	-	43	42	41	40	-	38	-	36	-	34	-			
											-																						
MX123 CONN ASSY 73 CKT BLK OPT9 KEY A/55	345666813	C-HSG-A9	G-CAP-9-P	TPA-A9	RS	LS	MAL	CPA	MSEAL	RSEAL	72	-	-	-	-	-	66	-	-	-	-	-	59	-	-	-	-	-	SALEABLE		345650003		
											-	-	-	-	-	-	46	-	-	-	-	-	-	38	-	-	35	-				33	
											-																						
MX123 CONN ASSY 73 CKT BLU OPT9 KEY C/45	345666823	C-HSG-C9	G-CAP-9-P	TPA-C9	RS	LS	MAL	CPA	MSEAL	RSEAL	-	71	-	69	-	-	-	65	64	-	-	61	60	-	58	-	56	55	54	-	SALEABLE		345650003
											-	-	50	-	-	-	-	45	-	43	42	-	-	38	-	-	-	-	-				
											-																						
MX123 CONN ASSY 73 CKT BLK OPT0 KEY A/36	345666833	C-HSG-A0	G-CAP-0-P	TPA-A0	RS	LS	MAL	CPA	MSEAL	RSEAL	72	71	-	-	68	67	66	65	64	-	62	61	-	-	-	-	-	-	SALEABLE		345650003		
											-	-	50	-	-	-	46	45	-	-	-	-	39	38	-	-	35	-				-	
											-																						
MX123 CONN ASSY 73 CKT BLK OPT0 KEY A/54	345666843	C-HSG-A0	G-CAP-0-P	TPA-A0	RS	LS	MAL	CPA	MSEAL	RSEAL	-	-	-	-	-	67	-	-	-	-	62	-	-	59	58	-	-	55	-	-	SALEABLE		345650003
											-	-	-	-	-	47	-	-	-	-	42	41	-	-	-	-	35	-	-				
											-																						
MX123 CONN ASSY 73 CKT BLU OPT0 KEY C/43	345666853	C-HSG-C0	G-CAP-0-P	TPA-C0	RS	LS	MAL	CPA	MSEAL	RSEAL	72	71	70	-	68	-	-	65	-	63	-	-	-	59	58	-	56	-	-	53	SALEABLE		345650003
											-	-	-	-	-	47	-	-	-	43	-	-	40	39	38	-	36	-	-				
											-																						
MX123 CONN ASSY 73 CKT BLK OPT0 KEY A/54	345666863	C-HSG-A0	G-CAP-0-P	TPA-A0	RS	LS	MAL	CPA	MSEAL	RSEAL	-	-	-	-	-	67	-	-	-	-	62	-	-	59	58	-	-	55	-	-	SALEABLE		345650003
											-	-	-	-	-	47	-	-	-	-	41	-	-	-	-	35	-	-					
											-																						
MX123 CONN ASSY 73 CKT GRY OPT9 KEY B/36	345666873	C-HSG-B9	G-CAP-9-P	TPA-B9	RS	LS	MAL	CPA	MSEAL	RSEAL	-	71	70	69	-	-	66	65	64	-	-	-	-	58	57	56	-	54	-	SALEABLE		345650003	
											-	51	50	49	-	-	-	45	-	-	42	-	-	39	-	-	-	-	34				33
											-																						
MX123 CONN ASSY 73 CKT BLK OPT9 KEY A/37	345666883	C-HSG-A9	G-CAP-9-P	TPA-A9	RS	LS	MAL	CPA	MSEAL	RSEAL	-	71	-	69	68	-	66	65	64	-	62	61	-	-	-	-	-	54	53	SALEABLE		345650003	
											-	-	50	49	-	-	-	45	44	-	-	41	-	-	-	-	-	34	33				
											-																						
MX123 CONN ASSY 73 CKT GRY OPT0 KEY B/66	345666893	C-HSG-B0	G-CAP-0-P	TPA-B0	RS	LS	MAL	CPA	MSEAL	RSEAL	-	-	-	-	-	-	-	-	-	-	62	61	-	-	-	-	-	54	53	SALEABLE		345650003	
											-	-	-	-	-	-	-	-	-	-	42	-	-	-	-	-	-	-	-				
											-																						
MX123 CONN ASSY 73 CKT GRY OPT0 KEY B/55	345666903	C-HSG-B0	G-CAP-0-P	TPA-B0	RS	LS	MAL	CPA	MSEAL	RSEAL	72	71	70	69	68	67	66	65	-	63	62	61	60	-	58	-	56	-	54	-	SALEABLE		345650003
											52	51	50	-	-	47	-	45	44	43	42	41	40	-	38	-	36	-	34	-			
											-																						
MX123 CONN ASSY 73 CKT BLK OPT9 KEY A/63	345666913	C-HSG-A9	G-CAP-9-P	TPA-A9	RS	LS	MAL	CPA	MSEAL	RSEAL	-	-	-	-	-	-	-	-	-	-	62	61	-	-	-	-	-	53	SALEABLE		345650003		
											-	-	-	-	-	-	-	-	-	-	41	-	-	-	-	-	-	-				33	
											-																						

ASSEMBLY DESCRIPTION	ASSEMBLY PART NUMBER	CONNECTOR HOUSING	GROMMET CAP	TPA	RIGHT SLIDE	LEFT SLIDE	MATE ASSIST LEVER	CPA	MAT SEAL	RING SEAL	BLOCKED TERMINALS																			STATUS	COMMENTS	INTEGRAL COMPONENTS SOLD SEPARATELY	
											CAVITY WITH A NUMBER INDICATES BLOCKED TERMINAL POSITION																					DRESS COVER	
											CAVITY WITHOUT A NUMBER INDICATES OPEN TERMINAL POSITION																						
MX123 CONN ASSY 73 CKT BLU OPT9 KEY C/56	345666923	C-HSG-C9	G-CAP-9-P	TPA-C9	RS	LS	MAL	CPA	MSEAL	RSEAL	-	-	-	-	68	-	-	-	-	63	62	-	-	59	-	-	-	55	-	53	SALEABLE		345650003
											-	-	-	-	-	-	-	-	43	42	-	40	-	-	-	36	35	-	-				
											-	-	-	-	-	-	-	-	-	-	-	-	-	-	-	20	19	-	-				
MX123 CONN ASSY 73 CKT GRY OPT9 KEY B/39	345666933	C-HSG-B9	G-CAP-9-P	TPA-B9	RS	LS	MAL	CPA	MSEAL	RSEAL	-	71	70	69	-	-	66	65	64	-	-	-	-	58	57	56	-	54	-	SALEABLE		345650003	
											-	51	50	49	-	-	-	45	-	-	42	-	-	39	-	-	-	34	33				
											-	-	-	-	32	31	-	29	28	-	26	25	24	23	-	-	-	-	-				
MX123 CONN ASSY 73 CKT BLK OPT9 KEY A/51	345666943	C-HSG-A9	G-CAP-9-P	TPA-A9	RS	LS	MAL	CPA	MSEAL	RSEAL	-	-	-	-	-	67	-	-	-	-	62	-	-	59	58	-	-	55	-	-	SALEABLE		345650003
											-	-	-	-	-	47	-	-	-	-	-	-	-	-	-	-	35	-	-				
											-	-	-	-	-	-	-	-	27	26	25	24	-	-	-	20	19	18	17				
MX123 CONN ASSY 73 CKT BLK OPT0 KEY A/52	345666953	C-HSG-A0	G-CAP-0-P	TPA-A0	RS	LS	MAL	CPA	MSEAL	RSEAL	-	-	-	-	68	67	-	65	-	-	62	-	-	59	58	-	-	55	-	-	SALEABLE		345650003
											-	-	-	-	48	47	-	-	-	42	41	-	-	-	-	35	-	-					
											-	-	-	-	-	-	-	-	27	-	-	24	-	-	-	19	18	17	-				
MX123 CONN ASSY 73 CKT GRY OPT0 KEY B/24	345666963	C-HSG-B0	G-CAP-0-P	TPA-B0	RS	LS	MAL	CPA	MSEAL	RSEAL	-	71	-	69	-	-	66	65	64	63	-	-	60	59	58	57	56	-	54	53	SALEABLE		345650003
											-	51	50	49	-	-	-	45	44	-	42	41	-	39	38	37	36	35	34	33			
											-	-	-	-	32	31	-	29	28	27	26	25	24	23	22	21	-	-	-	17			
MX123 CONN ASSY 73 CKT BLU OPT0 KEY C/46	345666973	C-HSG-C0	G-CAP-0-P	TPA-C0	RS	LS	MAL	CPA	MSEAL	RSEAL	72	-	-	-	68	-	66	-	-	63	-	-	-	59	58	-	56	-	-	53	SALEABLE		345650003
											-	-	-	-	-	-	-	-	43	-	-	40	39	38	-	36	-	-	-				
											-	-	-	-	-	31	30	29	-	-	-	24	23	22	21	20	-	-	-	-			
MX123 CONN ASSY 73 CKT BLU OPT0 KEY C/36	345666983	C-HSG-C0	G-CAP-0-P	TPA-C0	RS	LS	MAL	CPA	MSEAL	RSEAL	72	-	70	-	68	-	66	-	-	63	-	61	-	59	58	-	56	55	-	53	SALEABLE		345650003
											-	-	-	49	-	-	-	-	43	-	41	40	39	38	-	36	35	-	-				
											-	-	-	-	32	31	30	29	-	-	-	25	24	23	22	21	20	19	-	17			
MX123 CONN ASSY 73 CKT GRY OPT0 KEY B/43	345667003	C-HSG-B0	G-CAP-0-P	TPA-B0	RS	LS	MAL	CPA	MSEAL	RSEAL	72	71	70	69	68	-	-	65	64	63	62	61	60	-	58	-	-	-	54	-	SALEABLE		345650003
											52	51	-	-	-	-	46	45	44	43	42	41	40	-	38	-	-	-	34	-			
											-	-	-	-	32	31	30	-	28	27	26	25	24	-	22	-	20	19	-	-			
MX123 CONN ASSY 73 CKT BLK OPT9 KEY A/44	345667013	C-HSG-A9	G-CAP-9-P	TPA-A9	RS	LS	MAL	CPA	MSEAL	RSEAL	72	-	-	-	68	67	66	65	-	-	-	-	-	-	-	-	-	-	-	SALEABLE		345650003	
											-	-	-	-	48	47	46	-	-	-	-	40	-	38	-	-	35	-	33				
											-	-	-	-	-	31	30	-	-	-	-	25	24	23	22	21	20	-	-				17
MX123 CONN ASSY 73 CKT BLK OPT0 KEY A/51	345667023	C-HSG-A0	G-CAP-0-P	TPA-A0	RS	LS	MAL	CPA	MSEAL	RSEAL	-	-	-	-	-	67	-	-	-	63	62	-	-	59	58	-	-	55	-	-	SALEABLE		345650003
											-	-	-	-	-	47	-	-	-	-	42	41	-	-	-	-	35	-	-				
											-	-	-	-	32	-	-	-	-	27	-	-	24	-	-	-	19	18	17	-			
MX123 CONN ASSY 73 CKT BLK OPT0 KEY A/41	345667033	C-HSG-A0	G-CAP-0-P	TPA-A0	RS	LS	MAL	CPA	MSEAL	RSEAL	72	71	-	-	68	67	66	-	64	-	-	-	-	59	-	-	-	-	-	SALEABLE		345650003	
											-	-	50	-	48	47	46	45	-	-	-	-	40	39	38	-	-	35	-				33
											-	-	-	-	-	31	30	-	-	-	-	25	24	23	22	-	20	-	-				17
MX123 CONN ASSY 73 CKT GRY OPT0 KEY B/24	345667043	C-HSG-B0	G-CAP-0-P	TPA-B0	RS	LS	MAL	CPA	MSEAL	RSEAL	-	71	70	69	-	-	66	65	64	-	-	-	-	58	57	56	-	54	53	SALEABLE		345650003	
											-	51	50	49	48	47	-	45	44	-	42	-	-	39	38	37	36	35	34				33
											-	-	-	-	32	31	30	29	28	-	26	25	24	23	22	21	-	-	-				17

ASSEMBLY DESCRIPTION	ASSEMBLY PART NUMBER	CONNECTOR HOUSING	GROMMET CAP	TPA	RIGHT SLIDE	LEFT SLIDE	MATE ASSIST LEVER	CPA	MAT SEAL	RING SEAL	BLOCKED TERMINALS																			STATUS	COMMENTS	INTEGRAL COMPONENTS SOLD SEPARATELY		
											CAVITY WITH A NUMBER INDICATES BLOCKED TERMINAL POSITION																					DRESS COVER		
											CAVITY WITHOUT A NUMBER INDICATES OPEN TERMINAL POSITION																							
MX123 CONN ASSY 73 CKT BLU OPT0 KEY C/39	345667053	C-HSG-C0	G-CAP-0-P	TPA-C0	RS	LS	MAL	CPA	MSEAL	RSEAL	72	-	70	-	68	-	66	-	-	63	-	-	-	59	58	-	56	55	-	53	SALEABLE		345650003	
											-	-	-	-	-	-	-	-	-	43	-	-	40	39	38	-	36	35	-	-				
																						32	31	30	29	-	-	-	-	24				23
MX123 CONN ASSY 73 CKT BLU OPT0 KEY C/35	345667063	C-HSG-C0	G-CAP-0-P	TPA-C0	RS	LS	MAL	CPA	MSEAL	RSEAL	-	71	-	69	-	-	-	65	64	-	-	61	60	-	58	-	56	55	54	-	SALEABLE		345650003	
											-	-	50	49	-	-	-	45	-	43	42	41	-	-	38	37	36	35	-	-				
																						-	31	-	29	28	27	-	-	24				23
MX123 CONN ASSY 73 CKT NAT OPT9 KEY F/17	345667073	C-HSG-F9	G-CAP-9-P	TPA-F9	RS	LS	MAL	CPA	MSEAL	RSEAL	72	71	70	-	-	67	66	65	64	63	62	61	60	59	-	-	56	55	54	53	SALEABLE		345650003	
											52	51	50	49	48	47	46	45	44	-	-	41	40	39	-	-	36	35	34	-				
																						32	31	-	29	28	27	26	25	24				23
MX123 CONN ASSY 73 CKT GRY OPT9 KEY B/13	345667083	C-HSG-B9	G-CAP-9-P	TPA-B9	RS	LS	MAL	CPA	MSEAL	RSEAL	72	71	70	69	68	67	66	65	64	63	62	61	60	59	58	57	56	55	54	53	SALEABLE		345650003	
											52	51	50	49	48	47	46	45	44	43	42	41	40	39	38	37	36	35	34	33				
																						32	31	30	29	28	27	26	25	24				23
MX123 CONN ASSY 73 CKT GRY OPT9 KEY B/49	345667093	C-HSG-B9	G-CAP-9-P	TPA-B9	RS	LS	MAL	CPA	MSEAL	RSEAL	-	-	-	-	-	-	-	-	-	-	62	61	60	-	58	57	56	55	54	-	SALEABLE		345650003	
											-	-	-	-	-	-	-	-	-	-	-	42	41	40	-	38	37	36	35	-				-
																						-	-	-	-	-	-	-	-	-				22
MX123 CONN ASSY 73 CKT BLK OPT0 KEY A/25	345667103	C-HSG-A0	G-CAP-0-P	TPA-A0	RS	LS	MAL	CPA	MSEAL	RSEAL	-	-	-	-	-	-	65	-	-	-	61	-	-	58	57	56	-	-	-	SALEABLE		345650003		
											-	51	50	-	-	47	46	45	-	-	-	41	-	-	38	37	36	-	-				-	
																						-	31	30	-	-	-	26	25				-	-
MX123 CONN ASSY 73 CKT GRY OPT9 KEY B/8	345667133	C-HSG-B9	G-CAP-9-P	TPA-B9	RS	LS	MAL	CPA	MSEAL	RSEAL	72	71	70	69	68	67	66	65	64	63	62	61	60	59	-	57	56	55	-	-	SALEABLE		345650003	
											52	51	50	49	48	47	46	45	44	43	-	41	40	39	38	37	36	35	34	33				
																						32	31	30	29	28	-	26	-	24				23
MX123 CONN ASSY 73 CKT BLK OPT0 KEY A/35	345667143	C-HSG-A0	G-CAP-0-P	TPA-A0	RS	LS	MAL	CPA	MSEAL	RSEAL	72	71	-	-	68	67	66	65	64	-	62	61	-	-	-	-	-	-	-	SALEABLE		345650003		
											-	-	50	-	-	-	46	45	-	-	-	-	40	39	38	-	-	35	-				-	
																						-	31	30	29	-	27	-	25				24	23
MX123 CONN ASSY 73 CKT BLU OPT0 KEY C/45	345667153	C-HSG-C0	G-CAP-0-P	TPA-C0	RS	LS	MAL	CPA	MSEAL	RSEAL	-	71	-	69	-	67	-	65	64	-	-	61	60	-	-	-	56	55	54	-	SALEABLE		345650003	
											-	-	50	-	-	-	45	-	43	-	41	-	-	38	-	-	35	-	-					
																						-	31	-	29	28	27	-	-	-				23
MX123 CONN ASSY 73 CKT BLK OPT0 KEY A/45	345667163	C-HSG-A0	G-CAP-0-P	TPA-A0	RS	LS	MAL	CPA	MSEAL	RSEAL	-	71	-	-	-	-	66	65	64	63	62	-	-	59	58	57	-	-	-	SALEABLE		345650003		
											-	51	-	-	-	-	46	-	-	-	42	-	-	39	38	37	36	-	-				-	
																						32	31	30	-	-	27	26	-				-	23
MX123 CONN ASSY 73 CKT GRY OPT0 KEY B/23	345667173	C-HSG-B0	G-CAP-0-P	TPA-B0	RS	LS	MAL	CPA	MSEAL	RSEAL	72	71	70	69	-	-	-	-	-	-	62	61	60	59	-	57	56	-	54	53	SALEABLE		345650003	
											52	51	50	49	48	47	-	-	44	-	42	41	40	39	-	37	36	35	-	33				
																						-	31	-	-	-	-	26	25	24				23
MX123 CONN ASSY 73 CKT GRY OPT0 KEY B/72	345667183	C-HSG-B0	G-CAP-0-P	TPA-B0	RS	LS	MAL	CPA	MSEAL	RSEAL	-	-	-	-	-	-	-	-	-	-	-	-	-	-	-	-	-	-	SALEABLE		345650003			
											-	-	-	-	-	-	-	-	-	-	-	-	-	-	-	-	-	-				-	-	
																						-	-	-	-	-	-	-				-	-	23

ASSEMBLY DESCRIPTION	ASSEMBLY PART NUMBER	CONNECTOR HOUSING	GROMMET CAP	TPA	RIGHT SLIDE	LEFT SLIDE	MATE ASSIST LEVER	CPA	MAT SEAL	RING SEAL	BLOCKED TERMINALS																				STATUS	COMMENTS	INTEGRAL COMPONENTS SOLD SEPARATELY	
											CAVITY WITH A NUMBER INDICATES BLOCKED TERMINAL POSITION																						DRESS COVER	
											CAVITY WITHOUT A NUMBER INDICATES OPEN TERMINAL POSITION																							
MX123 CONN ASSY 73 CKT BLK OPT0 KEY A/41	345667193	C-HSG-A0	G-CAP-0-P	TPA-A0	RS	LS	MAL	CPA	MSEAL	RSEAL	-	71	-	-	68	67	66	65	64	-	-	-	-	59	-	-	-	-	-	-	-			
											-	-	50	-	48	47	46	45	-	-	-	-	40	39	38	-	-	35	-	33				
											-	-	-	-	31	30	-	-	-	-	25	24	23	22	21	20	-	-	-	-				
MX123 CONN ASSY 73 CKT GRY OPT0 KEY B/25	345667203	C-HSG-B0	G-CAP-0-P	TPA-B0	RS	LS	MAL	CPA	MSEAL	RSEAL	-	-	-	-	-	-	-	-	-	-	-	-	-	61	-	-	58	57	56	-	-	-		
											-	51	50	-	-	47	46	45	-	-	-	-	41	40	-	38	37	36	-	-	-			
											-	-	-	-	31	30	-	28	-	26	25	-	-	22	21	-	-	-	-	-				
MX123 CONN ASSY 73 CKT BLK OPT0 KEY A/30	345667213	C-HSG-A0	G-CAP-0-P	TPA-A0	RS	LS	MAL	CPA	MSEAL	RSEAL	72	71	-	-	68	67	66	65	64	-	62	61	60	59	-	57	-	55	-	53				
											-	-	50	-	48	-	46	45	-	-	-	-	40	-	38	37	-	35	-	33				
											-	-	-	-	31	30	29	-	27	-	25	24	23	22	21	20	-	-	-	-				
MX123 CONN ASSY 73 CKT BLU OPT0 KEY C/41	345667223	C-HSG-C0	G-CAP-0-P	TPA-C0	RS	LS	MAL	CPA	MSEAL	RSEAL	-	71	-	69	-	67	-	65	64	-	-	61	60	-	58	-	56	55	54	-				
											-	-	50	49	-	-	-	45	-	43	-	41	-	-	38	-	-	35	-	-				
											-	-	-	-	31	-	29	28	27	-	-	-	23	-	-	-	19	18	17	-				
MX123 CONN ASSY 73 CKT BLK OPT9 KEY A/29	345667233	C-HSG-A9	G-CAP-9-P	TPA-A9	RS	LS	MAL	CPA	MSEAL	RSEAL	-	71	70	69	68	67	66	65	64	63	-	-	60	59	58	-	-	-	-	53				
											-	-	50	49	48	47	-	-	44	-	42	41	-	39	38	-	36	-	-	33				
											-	-	-	-	31	-	-	28	27	26	-	24	23	22	21	-	19	18	17	-				
MX123 CONN ASSY 73 CKT BLK OPT9 KEY A/33	345667243	C-HSG-A9	G-CAP-9-P	TPA-A9	RS	LS	MAL	CPA	MSEAL	RSEAL	-	71	70	69	68	67	66	65	64	63	-	-	60	59	-	-	-	-	53					
											-	-	50	49	-	47	-	-	44	-	42	-	-	39	38	-	36	-	-	33				
											-	-	-	-	31	-	-	28	27	26	-	24	23	22	21	-	19	18	17	-				
MX123 CONN ASSY 73 CKT GRY OPT0 KEY B/19	345667253	C-HSG-B0	G-CAP-0-P	TPA-B0	RS	LS	MAL	CPA	MSEAL	RSEAL	-	71	70	69	68	67	66	65	64	63	-	-	60	59	58	57	56	55	54	53				
											-	51	50	49	-	-	-	45	-	-	42	-	-	39	38	37	36	35	34	33				
											-	-	-	-	32	31	-	29	28	27	26	25	24	23	22	21	-	-	-	17				
MX123 CONN ASSY 73 CKT BLU OPT0 KEY C/34	345667263	C-HSG-C0	G-CAP-0-P	TPA-C0	RS	LS	MAL	CPA	MSEAL	RSEAL	72	71	70	-	68	-	-	65	-	63	-	61	-	59	58	-	56	55	-	53				
											-	-	-	49	-	47	-	-	-	43	-	41	40	39	38	-	36	35	-	-				
											-	-	-	-	32	31	30	29	-	-	-	25	24	23	22	21	20	19	-	17				
MX123 CONN ASSY 73 CKT BLU OPT0 KEY C/39	345667273	C-HSG-C0	G-CAP-0-P	TPA-C0	RS	LS	MAL	CPA	MSEAL	RSEAL	72	71	70	-	68	-	-	65	-	63	-	61	-	59	58	-	56	-	-	53				
											-	-	-	49	-	47	-	-	-	43	-	41	40	39	38	-	36	-	-	-				
											-	-	-	-	32	31	30	29	-	-	-	25	24	23	22	21	20	-	-	-				
MX123 CONN ASSY 73 CKT BLU OPT0 KEY C/35	345667283	C-HSG-C0	G-CAP-0-P	TPA-C0	RS	LS	MAL	CPA	MSEAL	RSEAL	72	71	70	-	68	-	-	65	-	63	62	-	-	59	58	-	56	55	-	53				
											-	-	-	-	-	47	-	-	-	43	42	-	40	39	38	-	36	35	-	-				
											-	-	-	-	32	31	30	29	-	-	-	26	25	24	23	22	21	20	19	-	17			
MX123 CONN ASSY 73 CKT BLK OPT9 KEY A/49	345667293	C-HSG-A9	G-CAP-9-P	TPA-A9	RS	LS	MAL	CPA	MSEAL	RSEAL	-	-	-	-	-	-	-	-	-	-	-	62	61	60	-	58	57	56	55	54	-			
											-	-	-	-	-	-	-	-	-	-	-	42	41	40	-	38	37	36	35	-	-			
											-	-	-	-	-	-	-	-	-	-	-	-	-	-	22	21	20	19	18	-	-			
MX123 CONN ASSY 73 CKT GRY OPT0 KEY B/49	345667303	C-HSG-B0	G-CAP-0-P	TPA-B0	RS	LS	MAL	CPA	MSEAL	RSEAL	72	71	70	-	-	67	-	65	64	63	62	61	60	-	58	57	56	-	54	-				
											52	51	50	-	-	47	-	45	-	43	42	41	40	-	38	-	36	-	34	-				
											-	-	-	-	32	31	30	-	-	27	26	25	24	-	22	-	20	19	-	-				



ASSEMBLY DESCRIPTION	ASSEMBLY PART NUMBER	CONNECTOR HOUSING	GROMMET CAP	TPA	RIGHT SLIDE	LEFT SLIDE	MATE ASSIST LEVER	CPA	MAT SEAL	RING SEAL	BLOCKED TERMINALS																				STATUS	COMMENTS	INTEGRAL COMPONENTS SOLD SEPARATELY
											CAVITY WITH A NUMBER INDICATES BLOCKED TERMINAL POSITION																						DRESS COVER
											CAVITY WITHOUT A NUMBER INDICATES OPEN TERMINAL POSITION																						
MX123 CONN ASSY 73 CKT GRY OPT0 KEY B/22	345667313	C-HSG-B0	G-CAP-0-P	TPA-B0	RS	LS	MAL	CPA	MSEAL	RSEAL	-	71	70	69	68	-	66	65	64	63	-	-	60	59	58	57	56	-	54	53			
											-	51	50	49	-	-	-	45	44	-	42	41	-	39	38	37	36	35	34	33			
															32	31	-	29	28	27	26	25	24	23	-	-	-	-	-	-	17		
															-	15	-	13	12	11	10	9	8	7	-	5	-	3	2	1			
MX123 CONN ASSY 73 CKT GRY OPT9 KEY B/66	345667333	C-HSG-B9	G-CAP-9-P	TPA-B9	RS	LS	MAL	CPA	MSEAL	RSEAL	-	-	-	-	-	-	-	-	-	-	-	-	-	-	58	-	-	-	54	53			
											-	-	-	-	-	-	-	-	-	-	42	-	-	-	-	-	-	-	-	-			
															-	-	-	-	-	27	-	25	-	-	-	-	-	-	-	-			
															-	-	-	-	-	10	-	-	-	-	-	-	-	-	-	-			
MX123 CONN ASSY 73 CKT GRY OPT9 KEY B/33	345667343	C-HSG-B9	G-CAP-9-P	TPA-B9	RS	LS	MAL	CPA	MSEAL	RSEAL	72	71	70	69	-	-	66	65	-	-	62	61	60	-	-	57	56	-	-	53			
											52	51	50	49	48	47	-	-	-	-	42	41	40	-	-	37	36	-	34	33			
															-	31	-	-	-	-	26	25	24	-	-	21	20	-	18	-			
															16	-	14	-	-	11	-	-	8	7	-	5	-	3	2	-			
MX123 CONN ASSY 73 CKT BLU OPT9 KEY C/40	345667353	C-HSG-C9	G-CAP-9-P	TPA-C9	RS	LS	MAL	CPA	MSEAL	RSEAL	72	71	70	-	68	-	-	65	-	63	-	61	-	59	58	-	56	-	-	53			
											-	-	-	49	-	-	-	-	-	43	-	41	40	39	38	-	36	-	-	-			
															-	31	30	29	-	-	-	25	24	23	22	21	20	-	-	-			
															-	-	-	-	-	-	-	-	-	-	6	5	4	3	2	1			
MX123 CONN ASSY 73 CKT GRY OPT0 KEY B/24	345667363	C-HSG-B0	G-CAP-0-P	TPA-B0	RS	LS	MAL	CPA	MSEAL	RSEAL	-	71	-	69	-	67	66	65	64	63	-	-	-	-	58	57	56	-	54	53			
											-	51	50	49	48	47	-	45	-	-	42	-	-	39	38	37	36	35	34	33			
															32	31	30	29	28	27	26	25	24	23	22	21	-	-	-	-			
															-	-	-	13	12	11	10	9	-	7	6	5	-	3	2	1			
MX123 CONN ASSY 73 CKT BLK OPT0 KEY A/52	345667373	C-HSG-A0	G-CAP-0-P	TPA-A0	RS	LS	MAL	CPA	MSEAL	RSEAL	-	-	-	-	-	67	-	-	-	63	62	-	-	59	58	-	-	55	-	-			
											-	-	-	-	-	47	-	-	-	-	-	41	-	-	-	-	-	35	-	-			
															32	-	-	-	-	27	-	-	24	-	-	-	-	-	19	18	17		
															16	-	-	-	-	11	10	-	8	-	-	-	-	-	3	-	1		
MX123 CONN ASSY 73 CKT BLU OPT0 KEY C/38	345667383	C-HSG-C0	G-CAP-0-P	TPA-C0	RS	LS	MAL	CPA	MSEAL	RSEAL	72	-	-	69	68	-	-	-	-	63	62	-	-	59	58	-	56	55	-	53			
											-	-	-	-	-	-	46	-	-	43	42	-	40	39	38	-	36	35	-	-			
															-	31	30	29	-	-	26	-	24	23	22	21	20	19	18	-			
															-	-	-	-	-	-	-	-	-	-	6	5	4	3	2	1			
MX123 CONN ASSY 73 CKT GRY OPT0 KEY B/19	345667393	C-HSG-B0	G-CAP-0-P	TPA-B0	RS	LS	MAL	CPA	MSEAL	RSEAL	-	71	70	69	68	67	66	65	64	63	-	-	60	59	58	57	56	-	54	53			
											-	51	50	49	-	-	-	45	-	-	42	41	-	39	38	37	36	35	34	33			
															32	31	30	29	28	27	26	25	24	23	22	21	-	-	-	-	17		
															-	-	-	13	12	11	10	9	8	7	6	5	-	3	2	1			
MX123 CONN ASSY 73 CKT GRY OPT0 KEY B/52	345667403	C-HSG-B0	G-CAP-0-P	TPA-B0	RS	LS	MAL	CPA	MSEAL	RSEAL	72	71	70	69	68	67	66	65	64	63	62	61	60	-	58	-	56	-	54	-			
											52	51	-	-	-	47	-	45	44	43	42	41	40	-	38	-	36	-	34	-			
															32	31	30	-	28	27	26	25	24	-	22	-	20	19	18	17			
															16	-	14	13	12	11	10	9	8	-	-	-	-	-	2	1			
MX123 CONN ASSY 73 CKT BLK OPT0 KEY A/53	345667413	C-HSG-A0	G-CAP-0-P	TPA-A0	RS	LS	MAL	CPA	MSEAL	RSEAL	-	-	-	-	-	67	-	-	-	-	62	-	-	59	58	-	-	55	-	-			
											52	-	-	-	-	47	-	-	-	-	-	41	-	-	-	-	-	35	-	-			
															-	-	-	-	-	27	-	-	24	-	-	-	-	-	19	18	17		
															16	-	-	-	-	11	10	-	8	-	-	-	-	-	3	-	1		
MX123 CONN ASSY 73 CKT BLU OPT0 KEY C/38	345667423	C-HSG-C0	G-CAP-0-P	TPA-C0	RS	LS	MAL	CPA	MSEAL	RSEAL	72	71	-	-	68	-	66	65	-	63	62	-	-	59	58	-	56	55	-	53			
											-	-	-	-	-	-	-	-	-	43	42	-	40	39	38	-	36	35	-	-			
															-	31	30	29	-	-	26	-	24	23	22	21	20	19	-	-			
															-	-	-	-	-	-	-	-	-	-	6	5	4	3	2	1			
MX123 CONN ASSY 73 CKT GRY OPT0 KEY B/31	345667433	C-HSG-B0	G-CAP-0-P	TPA-B0	RS	LS	MAL	CPA	MSEAL	RSEAL	-	71	70	69	-	67	66	65	64	63	-	-	-	-	58	57	56	-	54	53			
											-	51	50	49	-	-	-	45	-	-	42	-	-	39	-	-	-	-	-	34	33		
															32	31	-	29	28	27	26	25	24	23	22	21	-	-	-	-			
															-	-	-	13	12	11	10	9	-	7	6	5	-	3	2	-			

ASSEMBLY DESCRIPTION	ASSEMBLY PART NUMBER	CONNECTOR HOUSING	GROMMET CAP	TPA	RIGHT SLIDE	LEFT SLIDE	MATE ASSIST LEVER	CPA	MAT SEAL	RING SEAL	BLOCKED TERMINALS																				STATUS	COMMENTS	INTEGRAL COMPONENTS SOLD SEPARATELY			
											CAVITY WITH A NUMBER INDICATES BLOCKED TERMINAL POSITION																						DRESS COVER			
											CAVITY WITHOUT A NUMBER INDICATES OPEN TERMINAL POSITION																									
MX123 CONN ASSY 73 CKT BLK OPT0 KEY A/50	345667443	C-HSG-A0	G-CAP-0-P	TPA-A0	RS	LS	MAL	CPA	MSEAL	RSEAL	-	-	-	-	-	67	-	-	-	-	-	62	61	-	59	58	-	-	55	-	53					
											-	-	-	-	-	47	-	-	-	-	-	41	-	-	-	-	-	35	-	33						
																					32	-	-	-	-	27	-	-	24	-	-	-	-	19	18	17
																					16	-	-	-	-	11	10	-	8	-	-	-	-	3	-	1
MX123 CONN ASSY 73 CKT BLU OPT0 KEY C/41	345667453	C-HSG-C0	G-CAP-0-P	TPA-C0	RS	LS	MAL	CPA	MSEAL	RSEAL	72	-	-	69	68	-	-	-	-	63	62	-	-	59	-	-	56	55	-	53						
											-	-	-	-	-	46	-	-	43	42	-	40	39	-	-	36	35	-	-							
																					-	31	30	29	-	-	26	-	24	23	22	21	20	19	-	-
																					-	-	-	-	-	-	-	-	-	-	6	5	4	3	2	1
MX123 CONN ASSY 73 CKT GRY OPT0 KEY B/25	345667463	C-HSG-B0	G-CAP-0-P	TPA-B0	RS	LS	MAL	CPA	MSEAL	RSEAL	-	71	70	69	-	67	66	65	64	63	-	-	60	59	58	57	56	-	54	53						
											-	51	50	49	-	-	-	45	44	-	42	41	-	39	38	37	36	35	34	33						
																					32	31	-	29	28	27	26	25	24	23	-	-	-	-	-	17
																					-	-	-	13	12	11	10	9	-	7	-	5	-	3	-	1
MX123 CONN ASSY 73 CKT GRY OPT0 KEY B/27	345667473	C-HSG-B0	G-CAP-0-P	TPA-B0	RS	LS	MAL	CPA	MSEAL	RSEAL	-	71	70	69	-	67	66	65	64	63	-	-	60	59	58	57	56	-	54	53						
											-	51	50	49	-	-	-	45	44	-	42	41	-	39	38	37	36	35	34	33						
																					32	31	-	29	28	-	26	25	24	23	-	-	-	-	-	17
																					-	15	-	13	12	-	10	9	-	7	-	5	-	3	2	1
MX123 CONN ASSY 73 CKT GRY OPT0 KEY B/26	345667483	C-HSG-B0	G-CAP-0-P	TPA-B0	RS	LS	MAL	CPA	MSEAL	RSEAL	-	71	70	69	-	67	66	65	64	63	-	-	60	59	58	57	56	-	54	53						
											-	51	50	49	-	-	-	45	44	-	42	41	-	39	38	37	36	35	34	33						
																					32	31	-	29	28	27	26	25	24	23	-	-	-	-	-	-
																					-	-	-	13	12	11	10	9	-	7	-	5	-	3	-	1
MX123 CONN ASSY 73 CKT BLU OPT0 KEY C/39	345667493	C-HSG-C0	G-CAP-0-P	TPA-C0	RS	LS	MAL	CPA	MSEAL	RSEAL	72	71	70	-	68	-	66	65	-	63	-	61	-	59	58	-	56	-	-	53						
											-	-	-	49	-	-	-	-	43	-	41	40	39	38	-	36	-	-	-	-						
																					-	31	30	29	-	-	25	24	23	22	21	20	-	-	-	
																					-	-	-	-	-	-	-	-	-	-	6	5	4	3	2	1
MX123 CONN ASSY 73 CKT BLK OPT0 KEY A/8	345667503	C-HSG-A0	G-CAP-0-P	TPA-A0	RS	LS	MAL	CPA	MSEAL	RSEAL	-	-	-	-	-	-	-	65	-	-	-	61	-	-	-	-	-	-	-							
											-	-	-	-	-	-	-	45	-	-	-	41	-	-	-	-	-	-	-	-						
																					-	-	-	-	-	-	26	25	-	-	-	-	-	-	-	
																					-	-	-	-	-	-	10	-	-	-	-	-	-	-	-	-
MX123 CONN ASSY 73 CKT BLK OPT9 KEY A/50	345667513	C-HSG-A9	G-CAP-9-P	TPA-A9	RS	LS	MAL	CPA	MSEAL	RSEAL	-	-	-	-	-	67	-	-	-	-	62	-	-	59	58	-	-	55	-	-						
											-	-	-	-	-	47	-	-	-	-	42	41	-	-	-	-	35	-	-							
																					-	-	-	-	-	27	26	25	24	-	-	-	-	19	18	17
																					16	-	-	-	-	11	10	9	8	-	-	-	-	3	-	1
MX123 CONN ASSY 73 CKT BLK OPT0 KEY A/37	345667523	C-HSG-A0	G-CAP-0-P	TPA-A0	RS	LS	MAL	CPA	MSEAL	RSEAL	-	71	70	69	68	67	66	65	-	63	-	-	60	-	-	-	-	-	53							
											-	-	50	49	-	-	-	-	44	-	42	-	-	39	38	-	36	35	34	-						
																					-	31	-	-	28	-	-	-	23	22	21	-	19	18	17	
																					-	-	14	-	12	-	-	-	8	7	6	5	-	3	2	1
MX123 CONN ASSY 73 CKT BLK OPT0 KEY A/1	345667543	C-HSG-A0	G-CAP-0-P	TPA-A0	RS	LS	MAL	CPA	MSEAL	RSEAL	72	71	70	69	68	67	66	65	64	63	62	61	60	59	58	57	56	55	54	53						
											52	51	50	49	48	47	46	45	44	43	42	41	40	39	38	37	36	35	34	33						
																					32	31	30	29	28	27	26	25	24	23	22	21	20	19	18	17
																					16	15	14	13	12	11	10	9	8	7	6	5	4	3	2	1
MX123 CONN ASSY 73 CKT GRY OPT0 KEY B/1	345667553	C-HSG-B0	G-CAP-0-P	TPA-B0	RS	LS	MAL	CPA	MSEAL	RSEAL	72	71	70	69	68	67	66	65	64	63	62	61	60	59	58	57	56	55	54	53						
											52	51	50	49	48	47	46	45	44	43	42	41	40	39	38	37	36	35	34	33						
																					32	31	30	29	28	27	26	25	24	23	22	21	20	19	18	17
																					16	15	14	13	12	11	10	9	8	7	6	5	4	3	2	1
MX123 CONN ASSY 73 CKT BLU OPT0 KEY C/1	345667563	C-HSG-C0	G-CAP-0-P	TPA-C0	RS	LS	MAL	CPA	MSEAL	RSEAL	72	71	70	69	68	67	66	65	64	63	62	61	60	59	58	57	56	55	54	53						
											52	51	50	49	48	47	46	45	44	43	42	41	40	39	38	37	36	35	34	33						
																					32	31	30	29	28	27	26	25	24	23	22	21	20	19	18	17
																					16	15	14	13	12	11	10	9	8	7	6	5	4	3	2	1



ASSEMBLY DESCRIPTION	ASSEMBLY PART NUMBER	CONNECTOR HOUSING	GROMMET CAP	TPA	RIGHT SLIDE	LEFT SLIDE	MATE ASSIST LEVER	CPA	MAT SEAL	RING SEAL	BLOCKED TERMINALS																				STATUS	COMMENTS	INTEGRAL COMPONENTS SOLD SEPARATELY	
											CAVITY WITH A NUMBER INDICATES BLOCKED TERMINAL POSITION																						DRESS COVER	
											CAVITY WITHOUT A NUMBER INDICATES OPEN TERMINAL POSITION																							
MX123 CONN ASSY 73 CKT GRY OPT0 KEY B/27	345667573	C-HSG-B0	G-CAP-0-P	TPA-B0	RS	LS	MAL	CPA	MSEAL	RSEAL	-	71	-	69	-	67	66	65	64	63	-	-	60	59	58	57	56	-	54	53	SALEABLE		345650003	
											-	51	50	49	-	-	-	45	44	-	42	41	-	39	38	37	36	35	34	33				
															32	31	-	29	28	27	26	25	24	23	-	-	-	-	-	-				-
MX123 CONN ASSY 73 CKT BLK OPT9 KEY A/37	345667583	C-HSG-A9	G-CAP-9-P	TPA-A9	RS	LS	MAL	CPA	MSEAL	RSEAL	-	71	-	69	68	-	66	65	64	-	62	61	-	-	-	-	56	55	54	53	SALEABLE		345650003	
											-	51	50	49	-	-	-	45	44	-	41	-	-	-	-	36	35	34	33					
															-	-	-	-	-	-	26	25	24	23	-	-	20	19	18	17				
MX123 CONN ASSY 73 CKT BLK OPT9 KEY A/52	345667593	C-HSG-A9	G-CAP-9-P	TPA-A9	RS	LS	MAL	CPA	MSEAL	RSEAL	-	71	-	-	-	67	66	65	-	63	-	-	60	-	-	-	-	-	-	SALEABLE		345650003		
											-	-	-	49	-	-	-	-	44	-	42	-	-	39	38	-	36	-	34				-	
															-	31	-	-	28	-	-	-	23	22	21	-	-	-	-				17	
MX123 CONN ASSY 73 CKT GRY OPT0 KEY B/48	345667603	C-HSG-B0	G-CAP-0-P	TPA-B0	RS	LS	MAL	CPA	MSEAL	RSEAL	72	71	70	-	-	67	-	65	64	63	62	61	60	-	58	-	56	-	54	-	SALEABLE		345650003	
											52	51	50	-	-	47	-	45	-	43	42	41	40	-	38	-	36	-	34	-				
															32	31	30	-	-	27	26	25	24	-	22	-	20	19	-	-				
MX123 CONN ASSY 73 CKT BLK OPT9 KEY A/64	345667633	C-HSG-A9	G-CAP-9-P	TPA-A9	RS	LS	MAL	CPA	MSEAL	RSEAL	-	-	-	-	-	-	-	-	-	-	62	61	-	-	-	-	-	-	53	SALEABLE		345650003		
											-	-	-	-	-	-	-	-	-	-	-	-	-	-	-	-	-	-	-				-	33
															-	-	-	-	-	-	-	-	24	-	-	-	-	19	-				-	
MX123 CONN ASSY 73 CKT GRY OPT9 KEY B/21	345667643	C-HSG-B9	G-CAP-9-P	TPA-B9	RS	LS	MAL	CPA	MSEAL	RSEAL	72	71	70	69	-	-	66	65	-	63	62	61	60	-	-	57	56	55	54	53	SALEABLE		345650003	
											52	51	50	49	48	47	-	-	44	43	42	41	40	-	-	37	36	35	34	33				
															-	31	-	-	-	26	25	24	-	-	21	20	19	18	-	-				
MX123 CONN ASSY 73 CKT GRY OPT0 KEY B/24	345667653	C-HSG-B0	G-CAP-0-P	TPA-B0	RS	LS	MAL	CPA	MSEAL	RSEAL	-	71	-	69	68	67	66	65	64	63	-	-	60	59	58	57	56	-	54	53	SALEABLE		345650003	
											-	51	50	49	-	-	-	45	44	-	42	41	-	39	38	37	36	35	34	33				
															32	31	-	29	28	27	26	25	24	23	-	-	-	-	-	17				
MX123 CONN ASSY 73 CKT GRY OPT0 KEY B/36	345667663	C-HSG-B0	G-CAP-0-P	TPA-B0	RS	LS	MAL	CPA	MSEAL	RSEAL	-	71	-	69	-	67	66	65	64	63	-	-	-	-	58	57	56	-	54	53	SALEABLE		345650003	
											-	51	50	49	-	-	-	45	-	42	-	-	39	-	-	-	-	-	34	-				
															32	31	-	29	28	27	26	25	24	23	-	-	-	-	-	-				
MX123 CONN ASSY 73 CKT BLU OPT0 KEY C/46	345667673	C-HSG-C0	G-CAP-0-P	TPA-C0	RS	LS	MAL	CPA	MSEAL	RSEAL	72	-	-	-	68	-	-	-	-	63	62	-	-	-	-	-	56	55	-	53	SALEABLE		345650003	
											-	-	-	-	-	-	-	-	-	43	42	-	40	-	-	-	-	36	35	-				-
															-	31	30	29	-	-	26	-	24	-	22	21	20	19	-	-				
MX123 CONN ASSY 73 CKT GRY OPT9 KEY B/67	345667683	C-HSG-B9	G-CAP-9-P	TPA-B9	RS	LS	MAL	CPA	MSEAL	RSEAL	-	-	-	-	-	-	-	-	-	-	-	-	-	-	58	-	-	-	54	53	SALEABLE		345650003	
											-	-	-	-	-	-	-	-	-	-	-	-	-	-	-	-	-	-	-	-				-
															-	-	-	-	-	27	-	-	-	-	-	-	-	-	-	-				
MX123 CONN ASSY 73 CKT BLK OPT9 KEY A/31	345667693	C-HSG-A9	G-CAP-9-P	TPA-A9	RS	LS	MAL	CPA	MSEAL	RSEAL	-	71	70	69	68	67	66	65	-	63	-	-	60	59	58	-	-	-	-	53	SALEABLE		345650003	
											-	-	50	49	48	47	-	-	44	-	42	41	-	39	38	-	36	-	-	33				
															-	31	-	-	28	-	26	-	24	23	22	21	-	19	18	17				
MX123 CONN ASSY 73 CKT BLK OPT0 KEY A/26	345667703	C-HSG-A0	G-CAP-0-P	TPA-A0	RS	LS	MAL	CPA	MSEAL	RSEAL	-	-	-	-	-	-	-	65	-	-	-	61	-	-	58	57	56	-	-	-	SALEABLE		345650003	
											-	51	50	-	-	47	46	45	-	-	-	41	-	-	38	37	36	-	-	-				
															-	31	30	-	28	-	26	25	-	-	22	21	20	-	-	-				

ASSEMBLY DESCRIPTION	ASSEMBLY PART NUMBER	CONNECTOR HOUSING	GROMMET CAP	TPA	RIGHT SLIDE	LEFT SLIDE	MATE ASSIST LEVER	CPA	MAT SEAL	RING SEAL	BLOCKED TERMINALS																		STATUS	COMMENTS	INTEGRAL COMPONENTS SOLD SEPARATELY				
											CAVITY WITH A NUMBER INDICATES BLOCKED TERMINAL POSITION CAVITY WITHOUT A NUMBER INDICATES OPEN TERMINAL POSITION																				DRESS COVER				
MX123 CONN ASSY 73 CKT BLK OPT9 KEY A/35	345667713	C-HSG-A9	G-CAP-9-P	TPA-A9	RS	LS	MAL	CPA	MSEAL	RSEAL	-	71	70	69	68	67	66	65	-	63	-	-	60	59	-	-	-	-	-	53	SALEABLE		345650003		
											-	-	50	49	-	47	-	-	44	-	42	-	-	39	38	-	36	-	-	-				-	33
											-																								
MX123 CONN ASSY 73 CKT BLK OPT9 KEY A/30	345667723	C-HSG-A9	G-CAP-9-P	TPA-A9	RS	LS	MAL	CPA	MSEAL	RSEAL	-	71	70	69	68	67	66	65	-	63	-	-	60	59	58	-	-	-	-	-	SALEABLE		345650003		
											-	-	50	49	48	47	-	-	44	-	42	41	-	39	38	-	36	35	34	33					
											-																								
MX123 CONN ASSY 73 CKT BLK OPT9 KEY A/34	345667733	C-HSG-A9	G-CAP-9-P	TPA-A9	RS	LS	MAL	CPA	MSEAL	RSEAL	-	71	70	69	68	67	66	65	-	63	-	-	60	59	-	-	-	-	-	SALEABLE		345650003			
											-	-	50	49	-	47	-	-	44	-	42	-	-	39	38	-	36	35	34				33		
											-																								
MX123 CONN ASSY 73 CKT BLU OPT0 KEY C/45	345667743	C-HSG-C0	G-CAP-0-P	TPA-C0	RS	LS	MAL	CPA	MSEAL	RSEAL	-	71	-	69	-	-	-	65	64	-	-	61	60	-	58	-	56	55	54	-	SALEABLE		345650003		
											-	-	50	-	-	-	-	45	-	43	42	-	-	-	38	-	-	-	-	-					
											-																								
MX123 CONN ASSY 73 CKT BLK OPT0 KEY A/51	345667753	C-HSG-A0	G-CAP-0-P	TPA-A0	RS	LS	MAL	CPA	MSEAL	RSEAL	72	-	-	-	-	-	66	65	-	-	-	-	-	-	-	-	-	-	SALEABLE		345650003				
											-	-	-	-	48	47	46	-	-	-	-	-	40	-	-	-	-	35				-	33		
											-																								
MX123 CONN ASSY 73 CKT NAT OPT0 KEY F/1	345667763	C-HSG-F0	G-CAP-0-P	TPA-F0	RS	LS	MAL	CPA	MSEAL	RSEAL	72	71	70	69	68	67	66	65	64	63	62	61	60	59	58	57	56	55	54	53	SALEABLE		345650003		
											52	51	50	49	48	47	46	45	44	43	42	41	40	39	38	37	36	35	34	33					
											-																								
MX123 CONN ASSY 73 CKT GRY OPT0 KEY B/25	345667773	C-HSG-B0	G-CAP-0-P	TPA-B0	RS	LS	MAL	CPA	MSEAL	RSEAL	-	71	-	69	68	-	66	65	64	-	-	-	-	58	57	56	55	54	53	SALEABLE		345650003			
											-	51	50	49	48	47	-	45	44	-	42	-	-	39	38	37	36	35	34				33		
											-																								
MX123 CONN ASSY 73 CKT BLK OPT0 KEY A/51	345667783	C-HSG-A0	G-CAP-0-P	TPA-A0	RS	LS	MAL	CPA	MSEAL	RSEAL	-	-	-	-	-	67	-	-	-	-	62	61	-	59	58	-	-	55	-	53	SALEABLE		345650003		
											-	-	-	-	-	47	-	-	-	-	-	-	-	-	-	-	-	35	-	33					
											-																								
MX123 CONN ASSY 73 CKT BLK OPT0 KEY A/40	345667793	C-HSG-A0	G-CAP-0-P	TPA-A0	RS	LS	MAL	CPA	MSEAL	RSEAL	-	71	-	69	68	-	-	-	64	-	62	61	-	-	-	-	-	-	54	53	SALEABLE		345650003		
											-	-	50	-	-	-	-	44	-	-	41	-	-	-	-	-	-	-	34	33					
											-																								
MX123 CONN ASSY 73 CKT BLK OPT0 KEY A/26	345667803	C-HSG-A0	G-CAP-0-P	TPA-A0	RS	LS	MAL	CPA	MSEAL	RSEAL	-	-	-	69	-	67	-	65	-	-	-	-	-	58	57	56	-	-	-	SALEABLE		345650003			
											-	51	50	-	-	47	-	45	-	-	-	41	-	-	38	37	36	-	-				-		
											-																								
MX123 CONN ASSY 73 CKT BLK OPT0 KEY A/50	345667813	C-HSG-A0	G-CAP-0-P	TPA-A0	RS	LS	MAL	CPA	MSEAL	RSEAL	72	71	-	-	-	-	66	65	64	-	-	-	-	-	-	-	-	-	SALEABLE		345650003				
											-	-	-	-	48	47	46	45	-	-	-	-	-	-	-	-	-	35				-	33		
											-																								
MX123 CONN ASSY 73 CKT GRY OPT0 KEY B/32	345667823	C-HSG-B0	G-CAP-0-P	TPA-B0	RS	LS	MAL	CPA	MSEAL	RSEAL	-	71	70	69	-	-	66	65	64	-	-	-	-	58	57	56	55	54	53	SALEABLE		345650003			
											-	51	50	49	-	-	-	45	-	-	42	-	-	39	-	-	-	-	34				33		
											-																								

ASSEMBLY DESCRIPTION	ASSEMBLY PART NUMBER	CONNECTOR HOUSING	GROMMET CAP	TPA	RIGHT SLIDE	LEFT SLIDE	MATE ASSIST LEVER	CPA	MAT SEAL	RING SEAL	BLOCKED TERMINALS																		STATUS	COMMENTS	INTEGRAL COMPONENTS SOLD SEPARATELY																
											CAVITY WITH A NUMBER INDICATES BLOCKED TERMINAL POSITION																				DRESS COVER																
											CAVITY WITHOUT A NUMBER INDICATES OPEN TERMINAL POSITION																																				
MX123 CONN ASSY 73 CKT GRY OPT0 KEY B/64	345667833	C-HSG-B0	G-CAP-0-P	TPA-B0	RS	LS	MAL	CPA	MSEAL	RSEAL	-	-	-	-	-	-	-	-	-	-	-	-	-	62	-	-	-	58	-	-	-	54	53	SALEABLE		345650003											
											-	-	-	-	-	-	-	-	-	-	-	-	42	-	-	-	-	-	-	-	-	-	-				-	-	-	-	-	-	-	-	-	-	-
											-	-	-	-	-	-	-	-	-	-	-	-	27	-	-	-	-	-	-	-	-	-	-				-	-	-	-	-	-	-	-	-	-	-
MX123 CONN ASSY 73 CKT BLU OPT9 KEY C/38	345667843	C-HSG-C9	G-CAP-9-P	TPA-C9	RS	LS	MAL	CPA	MSEAL	RSEAL	72	-	70	69	68	-	66	-	-	63	-	-	-	59	-	-	56	55	-	53	SALEABLE		345650003														
											-	-	-	-	-	-	46	-	-	43	-	-	40	39	-	-	36	35	-	-																	
											-	-	-	-	32	31	30	29	-	-	-	-	24	23	22	21	20	19	-	17																	
MX123 CONN ASSY 73 CKT BLU OPT9 KEY C/41	345667853	C-HSG-C9	G-CAP-9-P	TPA-C9	RS	LS	MAL	CPA	MSEAL	RSEAL	-	-	-	-	68	-	-	65	-	63	62	61	60	59	58	57	56	55	-	53	SALEABLE		345650003														
											-	-	-	-	48	-	-	45	-	43	42	41	40	-	-	37	36	35	34	33																	
											-	-	-	-	32	31	-	-	-	-	-	-	-	-	-	-	20	19	18	-																	
MX123 CONN ASSY 73 CKT BLU OPT9 KEY C/41	345667863	C-HSG-C9	G-CAP-9-P	TPA-C9	RS	LS	MAL	CPA	MSEAL	RSEAL	-	71	-	69	-	-	-	65	64	-	-	61	60	-	58	-	56	55	54	-	SALEABLE		345650003														
											-	-	50	49	-	-	-	45	-	43	42	41	-	-	38	-	-	-	-	-																	
											-	-	-	-	-	31	-	29	28	-	-	-	-	23	-	-	20	19	18	17																	
MX123 CONN ASSY 73 CKT BLK OPT9 KEY A/29	345667873	C-HSG-A9	G-CAP-9-P	TPA-A9	RS	LS	MAL	CPA	MSEAL	RSEAL	72	-	70	-	68	67	66	-	-	63	62	-	-	59	-	57	-	-	-	53	SALEABLE		345650003														
											52	51	-	49	48	47	46	-	44	-	-	41	40	39	-	37	36	-	34	33																	
											-	-	-	-	32	-	30	-	-	27	26	25	24	-	22	21	20	-	-	-																	
MX123 CONN ASSY 73 CKT BLK OPT9 KEY A/30	345667883	C-HSG-A9	G-CAP-9-P	TPA-A9	RS	LS	MAL	CPA	MSEAL	RSEAL	-	71	70	69	-	-	-	-	64	63	62	61	60	59	58	57	56	55	54	53	SALEABLE		345650003														
											52	51	50	49	-	-	46	45	44	43	42	41	-	39	-	37	36	-	34	-																	
											-	-	-	-	32	-	-	29	28	27	26	-	-	-	-	-	-	-	-	18				-													
MX123 CONN ASSY 73 CKT BLK OPT9 KEY A/51	345667893	C-HSG-A9	G-CAP-9-P	TPA-A9	RS	LS	MAL	CPA	MSEAL	RSEAL	-	-	-	-	-	67	-	-	-	-	62	-	-	59	58	-	-	55	-	-	SALEABLE		345650003														
											-	-	-	-	-	47	-	-	-	-	-	41	-	-	-	-	-	35	-	-																	
											-	-	-	-	-	-	-	-	-	27	26	25	24	-	-	-	-	19	18	17																	
MX123 CONN ASSY 73 CKT GRY OPT0 KEY B/39	345667903	C-HSG-B0	G-CAP-0-P	TPA-B0	RS	LS	MAL	CPA	MSEAL	RSEAL	72	71	70	69	68	67	66	65	-	63	62	-	60	-	58	-	56	-	54	-	SALEABLE		345650003														
											52	51	50	49	48	47	46	45	44	43	-	41	40	-	38	37	36	-	34	-																	
											-	-	-	-	32	31	30	29	28	27	26	25	24	-	22	21	-	-	18	17																	
MX123 CONN ASSY 73 CKT BLU OPT0 KEY C/37	345667923	C-HSG-C0	G-CAP-0-P	TPA-C0	RS	LS	MAL	CPA	MSEAL	RSEAL	72	-	-	69	68	-	66	65	-	63	62	-	-	59	58	-	56	55	-	53	SALEABLE		345650003														
											-	-	-	-	-	-	46	-	-	43	42	-	40	39	38	-	36	35	-	-																	
											-	-	-	-	-	31	30	29	-	-	26	-	24	23	22	21	20	19	-	-																	
MX123 CONN ASSY 73 CKT BLK OPT0 KEY A/50	345667933	C-HSG-A0	G-CAP-0-P	TPA-A0	RS	LS	MAL	CPA	MSEAL	RSEAL	-	-	-	-	-	67	-	-	-	-	62	-	-	59	58	-	-	55	-	-	SALEABLE		345650003														
											-	-	-	-	-	47	-	-	-	-	42	41	-	-	-	-	-	35	-	-																	
											-	-	-	-	-	-	-	-	-	27	26	25	24	-	-	-	-	19	18	17																	
MX123 CONN ASSY 73 CKT GRY OPT0 KEY B/32	345667943	C-HSG-B0	G-CAP-0-P	TPA-B0	RS	LS	MAL	CPA	MSEAL	RSEAL	-	71	70	69	68	67	66	65	64	63	-	-	-	-	58	57	56	-	54	53	SALEABLE		345650003														
											-	51	50	49	-	-	-	45	44	-	42	-	-	39	-	-	-	-	34	33																	
											-	-	-	-	32	-	-	29	28	27	26	25	24	23	-	-	-	-	-	-																	
MX123 CONN ASSY 73 CKT GRY OPT0 KEY B/32	345667953	C-HSG-B0	G-CAP-0-P	TPA-B0	RS	LS	MAL	CPA	MSEAL	RSEAL	-	71	70	69	68	67	66	65	64	63	-	-	-	-	58	57	56	-	54	53	SALEABLE		345650003														
											-	51	50	49	-	-	-	45	44	-	42	-	-	39	-	-	-	-	34	33																	
											-	-	-	-	32	-	-	29	28	27	26	25	24	23	-	-	-	-	-	-																	

ASSEMBLY DESCRIPTION	ASSEMBLY PART NUMBER	CONNECTOR HOUSING	GROMMET CAP	TPA	RIGHT SLIDE	LEFT SLIDE	MATE ASSIST LEVER	CPA	MAT SEAL	RING SEAL	BLOCKED TERMINALS																		STATUS	COMMENTS	INTEGRAL COMPONENTS SOLD SEPARATELY		
											CAVITY WITH A NUMBER INDICATES BLOCKED TERMINAL POSITION																				DRESS COVER		
											CAVITY WITHOUT A NUMBER INDICATES OPEN TERMINAL POSITION																						
MX123 CONN ASSY 73 CKT BLK OPT9 KEY A/54	345667963	C-HSG-A9	G-CAP-9-P	TPA-A9	RS	LS	MAL	CPA	MSEAL	RSEAL	-	-	-	-	-	67	-	-	-	-	-	62	-	-	59	58	-	-	55	-	-		
											-	-	-	-	-	47	-	-	-	-	-	41	-	-	-	-	-	35	-	-			
											-																		19	18	17		
MX123 CONN ASSY 73 CKT GRY OPT9 KEY B/36	345667973	C-HSG-B9	G-CAP-9-P	TPA-B9	RS	LS	MAL	CPA	MSEAL	RSEAL	-	71	70	69	68	67	66	65	64	63	-	-	-	-	58	57	56	-	54	53			
											-	51	-	-	-	-	-	-	44	-	42	-	-	39	-	-	-	-	-	33			
											-																		32	31	-	-	28
MX123 CONN ASSY 73 CKT GRY OPT9 KEY B/32	345667983	C-HSG-B9	G-CAP-9-P	TPA-B9	RS	LS	MAL	CPA	MSEAL	RSEAL	-	71	70	69	68	67	66	65	64	63	-	-	-	-	58	57	56	-	54	53			
											-	51	-	-	-	-	-	-	44	-	42	-	-	39	38	37	36	35	-	-			
											-																		32	31	-	-	28
MX123 CONN ASSY 73 CKT BLU OPT9 KEY C/39	345667993	C-HSG-C9	G-CAP-9-P	TPA-C9	RS	LS	MAL	CPA	MSEAL	RSEAL	72	71	-	-	68	-	-	65	-	63	62	-	-	59	58	-	56	55	-	53			
											-	-	-	-	-	-	-	-	-	43	42	-	40	39	38	-	36	35	-	-			
											-																		-	31	30	29	-
MX123 CONN ASSY 73 CKT BLK OPT0 KEY A/33	345668003	C-HSG-A0	G-CAP-0-P	TPA-A0	RS	LS	MAL	CPA	MSEAL	RSEAL	72	71	70	-	-	67	66	-	-	-	62	-	-	-	-	57	-	55	54	53			
											-	51	-	-	-	-	46	45	44	43	42	-	40	39	-	-	-	35	-	-			
											-																		-	-	-	-	-
MX123 CONN ASSY 73 CKT BLU OPT9 KEY C/38	345668013	C-HSG-C9	G-CAP-9-P	TPA-C9	RS	LS	MAL	CPA	MSEAL	RSEAL	72	-	70	69	68	-	66	-	-	63	62	-	-	-	58	-	56	55	-	53			
											-	-	-	49	-	-	46	-	-	43	42	-	40	-	38	-	36	35	-	-			
											-																		-	31	30	29	-
MX123 CONN ASSY 73 CKT BLU OPT9 KEY C/35	345668023	C-HSG-C9	G-CAP-9-P	TPA-C9	RS	LS	MAL	CPA	MSEAL	RSEAL	-	71	70	-	-	67	66	65	64	-	-	61	60	-	58	57	-	-	54	-			
											52	51	50	49	48	47	-	45	44	-	-	41	-	-	38	37	-	-	34	33			
											-																		32	-	-	-	28
MX123 CONN ASSY 73 CKT GRY OPT9 KEY B/39	345668033	C-HSG-B9	G-CAP-9-P	TPA-B9	RS	LS	MAL	CPA	MSEAL	RSEAL	72	-	-	-	68	-	-	-	-	-	62	61	60	59	-	-	-	55	-	53			
											52	-	-	-	48	47	46	-	44	43	-	41	40	-	38	37	36	35	-	-			
											-																		-	-	30	-	-
MX123 CONN ASSY 73 CKT BLK OPT9 KEY A/28	345668043	C-HSG-A9	G-CAP-9-P	TPA-A9	RS	LS	MAL	CPA	MSEAL	RSEAL	72	71	70	69	68	-	66	65	64	63	-	-	60	-	-	57	56	-	54	-			
											52	51	50	49	48	-	46	45	44	43	-	41	40	39	38	37	36	-	34	-			
											-																		32	31	30	29	28
MX123 CONN ASSY 73 CKT BLK OPT9 KEY A/27	345668053	C-HSG-A9	G-CAP-9-P	TPA-A9	RS	LS	MAL	CPA	MSEAL	RSEAL	-	71	70	69	-	-	-	65	64	63	62	61	60	-	58	57	56	55	54	53			
											52	51	50	49	48	47	-	45	44	43	42	41	-	39	-	37	36	-	34	-			
											-																		32	-	30	29	28
MX123 CONN ASSY 73 CKT BLU OPT9 KEY C/30	345668063	C-HSG-C9	G-CAP-9-P	TPA-C9	RS	LS	MAL	CPA	MSEAL	RSEAL	72	-	70	-	68	67	66	-	-	63	62	-	-	59	-	57	-	-	-	53			
											52	51	-	49	48	47	46	-	44	-	-	41	40	39	-	37	36	-	34	33			
											-																		32	-	30	-	-
MX123 CONN ASSY 73 CKT GRY OPT9 KEY B/21	345668073	C-HSG-B9	G-CAP-9-P	TPA-B9	RS	LS	MAL	CPA	MSEAL	RSEAL	72	71	70	-	68	67	66	-	-	-	62	61	60	59	58	57	56	55	54	53			
											52	51	50	-	48	47	46	-	-	-	42	41	40	39	38	37	36	35	34	33			
											-																		32	31	30	29	28

ASSEMBLY DESCRIPTION	ASSEMBLY PART NUMBER	CONNECTOR HOUSING	GROMMET CAP	TPA	RIGHT SLIDE	LEFT SLIDE	MATE ASSIST LEVER	CPA	MAT SEAL	RING SEAL	BLOCKED TERMINALS																		STATUS	COMMENTS	INTEGRAL COMPONENTS SOLD SEPARATELY
											CAVITY WITH A NUMBER INDICATES BLOCKED TERMINAL POSITION																				DRESS COVER
											CAVITY WITHOUT A NUMBER INDICATES OPEN TERMINAL POSITION																				
MX123 CONN ASSY 73 CKT GRY OPT9 KEY B/11	345668083	C-HSG-B9	G-CAP-9-P	TPA-B9	RS	LS	MAL	CPA	MSEAL	RSEAL	72	71	70	69	68	67	66	65	64	63	-	61	60	-	-	57	56	55	-	-	
											52	51	50	49	48	47	46	45	44	43	-	41	40	-	38	37	36	35	34	33	
															32	31	30	29	28	-	26	25	24	23	22	21	20	19	18	17	
															16	15	14	13	12	11	-	-	8	7	6	5	4	3	2	1	
MX123 CONN ASSY 73 CKT BLK OPT9 KEY A/37	345668093	C-HSG-A9	G-CAP-9-P	TPA-A9	RS	LS	MAL	CPA	MSEAL	RSEAL	72	-	70	-	-	67	-	-	-	63	-	-	60	59	58	57	56	55	-	-	
											52	51	-	-	48	47	46	-	-	43	42	-	40	39	38	37	36	35	-	-	
															-	-	-	-	28	27	-	-	-	-	22	21	-	-	18	17	
															-	-	-	-	12	11	-	9	-	7	-	5	-	-	2	1	
MX123 CONN ASSY 73 CKT BLU OPT9 KEY C/34	345668113	C-HSG-C9	G-CAP-9-P	TPA-C9	RS	LS	MAL	CPA	MSEAL	RSEAL	72	71	70	69	-	67	66	65	64	-	-	-	-	-	-	56	-	54	-		
											52	51	50	49	-	47	46	45	44	-	-	-	-	39	38	-	-	-	34	-	
															-	31	30	29	28	-	26	25	-	23	22	21	-	-	-	17	
															16	15	14	13	12	-	-	9	-	7	6	-	-	-	-		
MX123 CONN ASSY 73 CKT BLU OPT0 KEY C/34	345668153	C-HSG-C0	G-CAP-0-P	TPA-C0	RS	LS	MAL	CPA	MSEAL	RSEAL	-	-	-	-	-	-	-	-	-	-	-	-	-	-	-	-	54	53			
											-	-	-	49	48	47	46	45	44	43	-	-	40	39	38	37	36	-	-	-	
															32	31	30	29	-	-	26	25	24	23	22	21	20	19	-	17	
															-	15	-	-	12	11	10	9	8	7	6	5	4	-	2	1	
MX123 CONN ASSY 73 CKT GRY OPT9 KEY B/36	345668163	C-HSG-B9	G-CAP-9-P	TPA-B9	RS	LS	MAL	CPA	MSEAL	RSEAL	72	71	70	69	-	-	66	65	-	-	62	61	60	-	-	57	56	-	-	53	
											52	51	50	49	48	-	-	-	-	-	42	41	40	-	-	37	36	-	34	33	
															-	-	-	-	-	-	26	25	24	-	-	21	20	-	18	-	
															16	-	14	-	-	-	-	-	8	7	-	5	-	3	2	-	
MX123 CONN ASSY 73 CKT GRY OPT0 KEY B/27	345668173	C-HSG-B0	G-CAP-0-P	TPA-B0	RS	LS	MAL	CPA	MSEAL	RSEAL	-	71	-	69	-	-	66	65	64	-	-	-	-	58	57	56	55	54	53		
											-	51	50	49	48	47	-	45	44	-	42	-	-	39	38	37	36	35	34	33	
															32	31	30	29	28	-	26	25	24	23	-	-	-	-	-	17	
															-	15	-	13	12	-	10	9	-	7	-	5	-	3	2	1	
MX123 CONN ASSY 73 CKT BLK OPT0 KEY A/42	345668203	C-HSG-A0	G-CAP-0-P	TPA-A0	RS	LS	MAL	CPA	MSEAL	RSEAL	72	71	-	69	68	-	-	65	64	63	62	61	60	59	-	57	-	-	-	53	
											52	51	50	49	48	-	46	45	-	-	-	-	40	-	38	-	-	35	-	33	
															32	-	-	29	28	-	26	-	-	23	22	-	-	-	-	17	
															16	15	14	-	12	11	10	9	8	7	-	-	-	-	2	-	
MX123 CONN ASSY 73 CKT BLK OPT9 KEY A/22	345668223	C-HSG-A9	G-CAP-9-P	TPA-A9	RS	LS	MAL	CPA	MSEAL	RSEAL	-	71	70	69	68	67	66	65	64	63	-	-	60	-	58	-	56	-	54	53	
											-	-	50	49	48	47	46	45	44	43	42	41	-	39	38	-	36	35	34	33	
															-	31	30	-	28	27	26	-	24	23	22	21	-	19	18	17	
															-	-	-	13	-	-	-	-	8	7	6	5	4	3	2	1	
MX123 CONN ASSY 73 CKT BLK OPT9 KEY A/43	345668293	C-HSG-A9	G-CAP-9-P	TPA-A9	RS	LS	MAL	CPA	MSEAL	RSEAL	72	-	-	-	-	-	-	-	64	-	62	61	-	-	-	57	56	55	54	53	
											52	51	-	-	-	-	46	45	-	43	-	41	40	-	-	37	-	-	-	-	
															32	-	30	29	-	27	-	25	-	-	-	-	20	-	-	-	
															16	15	-	13	-	11	10	9	-	-	-	-	4	-	-	-	
MX123 CONN ASSY 73 CKT BLK OPT0 KEY A/14	345668303	C-HSG-A0	G-CAP-0-P	TPA-A0	RS	LS	MAL	CPA	MSEAL	RSEAL	-	-	70	-	-	-	-	65	-	-	-	61	60	-	-	-	-	55	-	-	
											-	-	-	-	-	-	-	45	-	-	-	41	40	-	-	-	-	-	-	-	
															-	-	-	-	28	-	26	25	-	-	-	-	-	-	18	-	
															16	-	-	-	-	-	10	-	-	-	-	-	-	-	-	-	
MX123 CONN ASSY 73 CKT BLK OPT9 KEY A/41	345668313	C-HSG-A9	G-CAP-9-P	TPA-A9	RS	LS	MAL	CPA	MSEAL	RSEAL	72	-	-	-	68	-	-	-	64	-	62	61	-	-	-	57	56	55	54	53	
											52	51	-	-	-	-	46	45	-	43	-	40	-	-	37	-	-	-	-	-	
															32	-	30	29	-	27	-	25	-	-	-	-	20	-	-	-	
															16	15	14	13	-	11	10	9	-	-	-	5	4	-	-	-	
MX123 CONN ASSY 73 CKT BLK OPT9 KEY A/38	345668323	C-HSG-A9	G-CAP-9-P	TPA-A9	RS	LS	MAL	CPA	MSEAL	RSEAL	72	-	-	-	-	-	-	-	64	-	62	61	-	59	58	57	56	55	54	-	
											52	51	-	-	48	-	46	45	-	43	-	41	40	-	-	37	-	35	34	-	
															32	-	30	29	-	27	-	25	-	-	-	-	20	-	-	-	
															16	15	-	13	-	11	10	9	-	-	-	-	4	3	-	-	

ASSEMBLY DESCRIPTION	ASSEMBLY PART NUMBER	CONNECTOR HOUSING	GROMMET CAP	TPA	RIGHT SLIDE	LEFT SLIDE	MATE ASSIST LEVER	CPA	MAT SEAL	RING SEAL	BLOCKED TERMINALS																		STATUS	COMMENTS	INTEGRAL COMPONENTS SOLD SEPARATELY
											CAVITY WITH A NUMBER INDICATES BLOCKED TERMINAL POSITION																				DRESS COVER
											CAVITY WITHOUT A NUMBER INDICATES OPEN TERMINAL POSITION																				
MX123 CONN ASSY 73 CKT BLK OPT9 KEY A/42	345668333	C-HSG-A9	G-CAP-9-P	TPA-A9	RS	LS	MAL	CPA	MSEAL	RSEAL	72	-	-	-	-	-	-	-	-	64	-	62	61	-	59	-	57	56	55	54	-
											52	51	-	-	-	-	-	46	45	-	43	-	-	40	-	-	37	-	35	34	-
																	32	-	30	29	-	27	-	25	-	-	-	20	-	-	-
						16	15	-	13	-	11	10	9	-	-	-	-	4	-	-	-										
MX123 CONN ASSY 73 CKT BLK OPT9 KEY A/40	345668343	C-HSG-A9	G-CAP-9-P	TPA-A9	RS	LS	MAL	CPA	MSEAL	RSEAL	72	-	-	-	-	-	-	-	64	-	62	61	-	-	58	57	56	55	54	53	
											52	51	-	-	48	-	46	45	-	43	-	41	40	-	-	37	-	-	-	-	
																	32	-	30	29	-	27	-	25	-	-	-	20	-	-	-
						16	15	-	13	-	11	10	9	-	-	-	-	4	3	-	-										
MX123 CONN ASSY 73 CKT BLK OPT9 KEY A/31	345668353	C-HSG-A9	G-CAP-9-P	TPA-A9	RS	LS	MAL	CPA	MSEAL	RSEAL	-	71	70	69	68	67	66	65	-	63	-	-	60	59	58	-	-	-	-	-	
											-	-	50	49	48	47	-	-	44	-	42	-	-	39	38	-	36	35	34	33	
																	-	31	-	-	28	-	26	-	24	23	22	21	-	19	18
						-	-	-	14	-	12	-	-	-	8	7	6	5	-	3	2	1									
MX123 CONN ASSY 73 CKT BLK OPT9 KEY A/33	345668363	C-HSG-A9	G-CAP-9-P	TPA-A9	RS	LS	MAL	CPA	MSEAL	RSEAL	-	71	70	69	-	67	66	65	-	63	-	-	60	59	58	-	-	-	-	-	
											-	-	50	49	48	47	-	-	44	-	42	41	-	39	38	-	36	35	34	33	
																	-	31	-	-	28	-	26	-	24	23	22	21	-	19	18
						-	-	-	-	12	-	-	-	8	7	6	-	-	3	2	1										
MX123 CONN ASSY 73 CKT BLK OPT9 KEY A/36	345668373	C-HSG-A9	G-CAP-9-P	TPA-A9	RS	LS	MAL	CPA	MSEAL	RSEAL	-	71	70	69	68	67	66	65	-	63	-	-	60	-	-	-	-	-	53		
											-	-	50	49	48	47	-	-	44	-	42	-	-	39	38	-	36	-	-	33	
																	-	31	-	-	28	-	26	-	24	23	22	21	-	19	18
						-	-	-	-	12	-	-	-	8	7	6	5	-	-	2	1										
MX123 CONN ASSY 73 CKT BLK OPT9 KEY A/32	345668383	C-HSG-A9	G-CAP-9-P	TPA-A9	RS	LS	MAL	CPA	MSEAL	RSEAL	-	71	70	69	68	67	66	65	-	63	-	-	60	-	58	-	-	-	-	53	
											-	-	50	49	48	47	-	-	44	-	42	41	-	39	38	-	36	-	-	33	
																	-	31	-	-	28	-	26	-	24	23	22	21	-	19	18
						-	-	-	14	-	12	-	-	-	8	7	6	5	-	-	2	1									
MX123 CONN ASSY 73 CKT BLK OPT0 KEY A/44	345668393	C-HSG-A0	G-CAP-0-P	TPA-A0	RS	LS	MAL	CPA	MSEAL	RSEAL	-	71	-	69	68	67	66	65	64	-	-	61	60	59	58	57	-	-	-	-	
											-	-	50	-	-	47	46	45	44	-	42	41	40	39	38	37	-	-	-	-	
																	32	-	-	-	-	-	26	25	-	-	-	-	-	-	-
						-	-	-	-	-	11	-	-	-	-	-	5	4	-	-	-										
MX123 CONN ASSY 73 CKT GRY OPT0 KEY B/48	345668403	C-HSG-B0	G-CAP-0-P	TPA-B0	RS	LS	MAL	CPA	MSEAL	RSEAL	72	71	70	69	68	67	66	-	-	63	62	61	60	-	58	-	56	-	54	-	
											52	51	-	-	-	47	-	45	44	43	42	41	40	-	38	-	36	-	34	-	
																	-	31	30	-	28	27	26	25	-	-	22	-	20	19	18
						16	-	14	13	12	11	10	9	8	-	-	-	-	-	2	1										
MX123 CONN ASSY 73 CKT BLK OPT0 KEY A/43	345668413	C-HSG-A0	G-CAP-0-P	TPA-A0	RS	LS	MAL	CPA	MSEAL	RSEAL	-	71	-	69	68	67	66	65	64	-	-	61	60	59	58	57	-	-	-	-	
											-	-	50	-	-	47	46	45	44	-	42	41	40	39	38	37	-	-	-	-	
																	32	-	-	-	-	-	26	25	-	-	-	-	-	-	-
						-	-	-	13	-	11	-	-	-	-	-	5	4	-	-	-										
MX123 CONN ASSY 73 CKT BLU OPT0 KEY C/36	345668423	C-HSG-C0	G-CAP-0-P	TPA-C0	RS	LS	MAL	CPA	MSEAL	RSEAL	72	71	70	-	68	-	66	65	-	63	-	-	-	59	58	-	56	55	-	53	
											-	-	-	-	-	47	-	-	-	43	-	-	40	39	38	-	36	35	-	-	
																	32	31	30	29	-	-	-	-	24	23	22	21	20	19	18
						-	-	-	-	-	-	-	-	-	-	6	5	4	3	2	1										
MX123 CONN ASSY 73 CKT BLU OPT0 KEY C/45	345668443	C-HSG-C0	G-CAP-0-P	TPA-C0	RS	LS	MAL	CPA	MSEAL	RSEAL	72	-	-	69	68	-	-	-	-	63	62	-	-	-	-	-	56	55	-	53	
											-	-	-	49	-	-	46	-	-	43	42	-	40	-	-	-	-	36	35	-	-
																	-	31	30	29	-	-	26	-	24	-	22	21	20	19	-
						-	-	-	-	-	-	-	-	-	-	-	4	3	2	1											
MX123 CONN ASSY 73 CKT BLK OPT0 KEY A/48	345668453	C-HSG-A0	G-CAP-0-P	TPA-A0	RS	LS	MAL	CPA	MSEAL	RSEAL	-	-	-	-	-	67	-	-	-	-	62	61	-	59	58	-	-	55	-	53	
											-	-	-	-	-	47	-	-	-	-	41	-	-	-	-	-	35	-	33	-	
																	-	-	-	-	-	27	26	25	24	-	-	-	-	19	18
						16	-	-	-	-	11	10	9	8	-	-	-	-	3	-	1										



ASSEMBLY DESCRIPTION	ASSEMBLY PART NUMBER	CONNECTOR HOUSING	GROMMET CAP	TPA	RIGHT SLIDE	LEFT SLIDE	MATE ASSIST LEVER	CPA	MAT SEAL	RING SEAL	BLOCKED TERMINALS																				STATUS	COMMENTS	INTEGRAL COMPONENTS SOLD SEPARATELY
											CAVITY WITH A NUMBER INDICATES BLOCKED TERMINAL POSITION																						DRESS COVER
											CAVITY WITHOUT A NUMBER INDICATES OPEN TERMINAL POSITION																						
MX123 CONN ASSY 73 CKT GRY OPT0 KEY B/34	345668463	C-HSG-B0	G-CAP-0-P	TPA-B0	RS	LS	MAL	CPA	MSEAL	RSEAL	-	71	-	69	-	67	66	65	64	63	-	-	-	-	58	57	56	-	54	53	SALEABLE		345650003
											-	51	50	49	-	-	-	45	-	-	42	-	-	39	-	-	-	-	34	33			
															32	31	-	29	28	27	26	25	24	23	-	-	-	-	-	17			
MX123 CONN ASSY 73 CKT BLU OPT0 KEY C/49	345668473	C-HSG-C0	G-CAP-0-P	TPA-C0	RS	LS	MAL	CPA	MSEAL	RSEAL	72	-	-	69	68	-	-	-	-	63	-	-	-	59	-	-	56	-	-	53	SALEABLE		345650003
											-	-	-	-	-	-	46	-	-	43	-	-	40	39	-	-	36	-	-				
															-	31	30	29	-	-	-	-	24	23	22	21	20	-	-				
MX123 CONN ASSY 73 CKT BLK OPT0 KEY A/51	345668483	C-HSG-A0	G-CAP-0-P	TPA-A0	RS	LS	MAL	CPA	MSEAL	RSEAL	-	-	-	-	-	67	-	-	-	-	62	-	-	59	58	-	-	55	-	-	SALEABLE		345650003
											-	-	-	-	-	47	-	-	-	-	41	-	-	-	-	35	-	-					
															-	-	-	-	-	27	26	25	24	-	-	-	19	18	17				
MX123 CONN ASSY 73 CKT GRY OPT0 KEY B/31	345668493	C-HSG-B0	G-CAP-0-P	TPA-B0	RS	LS	MAL	CPA	MSEAL	RSEAL	-	71	-	69	-	-	66	65	64	63	-	-	-	-	58	57	56	-	54	53	SALEABLE		345650003
											-	51	50	49	-	-	-	45	-	-	42	41	-	39	38	37	36	35	34	-			
															32	31	-	29	28	27	26	25	24	23	-	-	-	-	-	-			
MX123 CONN ASSY 73 CKT GRY OPT0 KEY B/27	345668503	C-HSG-B0	G-CAP-0-P	TPA-B0	RS	LS	MAL	CPA	MSEAL	RSEAL	-	-	-	-	-	-	-	-	-	-	-	61	-	-	58	57	56	-	-	-	SALEABLE		345650003
											-	51	50	-	-	47	46	45	-	-	-	41	40	-	38	37	36	-	-	-			
															-	31	30	-	28	-	26	25	-	-	22	21	20	-	-	-			
MX123 CONN ASSY 73 CKT BLK OPT9 KEY A/48	345668513	C-HSG-A9	G-CAP-9-P	TPA-A9	RS	LS	MAL	CPA	MSEAL	RSEAL	-	-	-	-	-	67	-	-	-	-	62	-	-	59	58	-	-	55	-	-	SALEABLE		345650003
											-	-	-	-	-	47	-	-	-	-	42	41	-	-	-	-	35	-	-				
															-	-	-	-	-	27	26	25	-	-	-	21	20	19	18	17			
MX123 CONN ASSY 73 CKT GRY OPT9 KEY B/27	345668523	C-HSG-B9	G-CAP-9-P	TPA-B9	RS	LS	MAL	CPA	MSEAL	RSEAL	-	71	-	69	-	67	66	65	64	63	-	-	60	59	58	57	56	-	54	53	SALEABLE		345650003
											-	51	50	49	-	-	-	45	44	-	42	41	-	39	38	37	36	35	34	33			
															32	31	-	29	28	27	26	25	24	23	-	-	-	-	-	-			
MX123 CONN ASSY 73 CKT BLU OPT9 KEY C/35	345668533	C-HSG-C9	G-CAP-9-P	TPA-C9	RS	LS	MAL	CPA	MSEAL	RSEAL	72	71	-	69	68	-	-	-	-	63	62	-	-	59	58	-	56	55	-	53	SALEABLE		345650003
											-	-	-	-	-	-	46	-	-	43	42	-	40	39	38	-	36	35	-	-			
															-	31	30	29	-	-	26	-	24	23	22	21	20	19	-	-			
MX123 CONN ASSY 73 CKT BLU OPT9 KEY C/35	345668543	C-HSG-C9	G-CAP-9-P	TPA-C9	RS	LS	MAL	CPA	MSEAL	RSEAL	72	-	70	-	68	-	-	-	-	63	62	61	-	59	58	-	56	55	-	53	SALEABLE		345650003
											-	-	-	-	-	-	-	-	-	43	42	41	40	39	38	-	36	35	-	-			
															-	31	30	29	-	-	26	25	24	23	22	21	20	19	18	17			
MX123 CONN ASSY 73 CKT GRY OPT0 KEY B/22	345668553	C-HSG-B0	G-CAP-0-P	TPA-B0	RS	LS	MAL	CPA	MSEAL	RSEAL	-	71	70	69	-	67	66	65	64	63	-	-	-	-	58	57	56	-	54	53	SALEABLE		345650003
											-	51	50	49	48	47	-	45	44	-	42	-	-	39	38	37	36	35	34	33			
															32	31	30	29	28	27	26	25	24	23	-	-	-	19	18	17			
MX123 CONN ASSY 73 CKT BLK OPT0 KEY A/35	345668563	C-HSG-A0	G-CAP-0-P	TPA-A0	RS	LS	MAL	CPA	MSEAL	RSEAL	-	71	-	69	68	-	66	65	64	-	62	61	-	-	-	-	-	54	53	SALEABLE		345650003	
											-	-	50	49	-	-	-	45	44	-	41	-	-	-	-	-	-	-	34				33
															32	31	30	29	-	27	26	25	24	23	-	-	20	19	-				-
MX123 CONN ASSY 73 CKT GRY OPT0 KEY B/59	345668573	C-HSG-B0	G-CAP-0-P	TPA-B0	RS	LS	MAL	CPA	MSEAL	RSEAL	-	-	-	-	-	-	-	-	-	-	62	-	-	-	58	-	-	54	53	SALEABLE		345650003	
											-	-	-	-	-	-	-	-	-	42	-	-	-	-	-	-	-	-	34				-
															-	-	-	-	-	27	-	25	-	-	-	-	-	-	18				17

ASSEMBLY DESCRIPTION	ASSEMBLY PART NUMBER	CONNECTOR HOUSING	GROMMET CAP	TPA	RIGHT SLIDE	LEFT SLIDE	MATE ASSIST LEVER	CPA	MAT SEAL	RING SEAL	BLOCKED TERMINALS																				STATUS	COMMENTS	INTEGRAL COMPONENTS SOLD SEPARATELY	
											CAVITY WITH A NUMBER INDICATES BLOCKED TERMINAL POSITION CAVITY WITHOUT A NUMBER INDICATES OPEN TERMINAL POSITION																						DRESS COVER	
MX123 CONN ASSY 73 CKT BLU OPT0 KEY C/44	345668583	C-HSG-C0	G-CAP-0-P	TPA-C0	RS	LS	MAL	CPA	MSEAL	RSEAL	-	-	-	-	68	-	-	-	-	63	62	61	-	59	58	57	-	55	-	53	SALEABLE		345650003	
											-	-	-	-	48	-	-	-	-	43	42	41	-	-	-	37	36	35	-	33				
															32	-	-	29	-	27	-	-	-	-	-	20	19	18	-					
															-	-	-	-	-	11	10	-	-	-	-	-	4	3	2	1				
MX123 CONN ASSY 73 CKT GRY OPT0 KEY B/32	345668593	C-HSG-B0	G-CAP-0-P	TPA-B0	RS	LS	MAL	CPA	MSEAL	RSEAL	-	71	70	69	-	67	66	65	64	63	-	-	-	-	58	57	56	-	54	53	SALEABLE		345650003	
											-	51	50	49	-	-	-	45	44	-	42	-	-	39	-	-	-	-	34	33				
															32	31	-	29	28	27	26	25	24	23	-	-	-	-	-	17				
															-	-	-	13	12	11	10	9	-	7	-	5	-	3	2	-				
MX123 CONN ASSY 73 CKT BLK OPT0 KEY A/47	345668603	C-HSG-A0	G-CAP-0-P	TPA-A0	RS	LS	MAL	CPA	MSEAL	RSEAL	72	71	70	-	-	67	-	65	64	63	62	61	60	-	58	-	56	-	54	-	SALEABLE		345650003	
											52	51	50	-	-	47	-	45	-	43	42	41	40	-	-	-	36	-	34	-				
															32	31	30	-	-	27	26	25	24	-	22	-	20	19	-	-				
															16	15	14	13	-	-	-	9	8	-	6	5	4	3	2	1				
MX123 CONN ASSY 73 CKT BLU OPT0 KEY C/43	345668613	C-HSG-C0	G-CAP-0-P	TPA-C0	RS	LS	MAL	CPA	MSEAL	RSEAL	72	-	-	69	68	-	-	-	-	63	62	-	-	-	-	56	55	-	53	SALEABLE		345650003		
											-	-	-	49	-	-	46	-	-	43	42	-	40	-	-	-	36	35	-				-	
															-	31	30	29	-	-	26	-	24	-	22	21	20	19	-				-	
															-	-	-	-	-	-	-	-	-	-	6	5	4	3	2				1	
MX123 CONN ASSY 73 CKT BLU OPT9 KEY C/31	345668623	C-HSG-C9	G-CAP-9-P	TPA-C9	RS	LS	MAL	CPA	MSEAL	RSEAL	72	71	70	69	-	67	66	-	64	-	-	-	60	-	-	-	-	54	-	SALEABLE		345650003		
											52	51	50	49	-	47	46	-	44	-	-	-	40	39	38	-	-	-	-				-	
															-	-	30	29	28	27	26	25	24	23	22	21	-	-	-				17	
															16	15	14	13	12	11	10	9	8	7	6	5	-	-	-				-	
MX123 CONN ASSY 73 CKT GRY OPT0 KEY B/22	345668633	C-HSG-B0	G-CAP-0-P	TPA-B0	RS	LS	MAL	CPA	MSEAL	RSEAL	-	71	70	69	68	67	66	65	64	63	-	-	60	59	58	57	56	55	54	53	SALEABLE		345650003	
											-	51	50	49	-	-	-	45	44	-	42	41	-	39	38	37	36	35	34	33				
															32	31	-	29	28	27	26	25	24	23	-	-	-	-	-	-				
															-	-	-	13	12	11	10	9	8	7	-	5	-	3	2	1				
MX123 CONN ASSY 73 CKT BLU OPT0 KEY C/37	345668643	C-HSG-C0	G-CAP-0-P	TPA-C0	RS	LS	MAL	CPA	MSEAL	RSEAL	72	-	-	69	68	-	-	65	-	63	62	-	-	59	58	-	56	55	-	53	SALEABLE		345650003	
											-	-	-	-	-	47	46	-	-	43	42	-	40	39	38	-	36	35	-	-				
															-	31	30	29	-	-	26	-	24	23	22	21	20	19	-	-				
															-	-	-	-	-	-	-	-	-	-	6	5	4	3	2	1				
MX123 CONN ASSY 73 CKT BLU OPT9 KEY C/36	345668653	C-HSG-C9	G-CAP-9-P	TPA-C9	RS	LS	MAL	CPA	MSEAL	RSEAL	72	-	70	-	68	-	-	-	-	62	-	-	59	58	-	56	55	54	53	SALEABLE		345650003		
											-	-	-	49	-	-	-	-	44	-	42	-	40	39	38	-	36	35	-				-	
															32	31	30	29	-	-	26	-	24	23	22	21	20	19	18				17	
															-	-	-	-	-	-	-	-	-	-	6	5	4	3	2				1	
MX123 CONN ASSY 73 CKT GRY OPT0 KEY B/46	345668663	C-HSG-B0	G-CAP-0-P	TPA-B0	RS	LS	MAL	CPA	MSEAL	RSEAL	-	-	-	-	68	67	66	65	-	-	62	-	-	59	-	-	-	54	53	SALEABLE		345650003		
											-	-	-	-	48	47	46	45	44	-	42	41	40	39	-	-	-	35	34				-	
															-	31	-	-	-	27	-	-	-	-	-	-	-	19	18				17	
															-	-	-	-	-	-	-	-	-	-	-	-	3	2	1					
MX123 CONN ASSY 73 CKT NAT OPT0 KEY F/45	345668673	C-HSG-F0	G-CAP-0-P	TPA-F0	RS	LS	MAL	CPA	MSEAL	RSEAL	-	71	-	69	-	-	-	65	64	-	-	61	60	-	58	-	56	55	54	-	SALEABLE		345650003	
											-	-	50	-	-	-	-	45	-	43	42	-	-	-	38	-	-	-	-	-				
															-	31	-	29	28	-	-	-	-	23	-	-	-	19	18	17				
															16	-	-	-	12	11	-	-	-	7	-	-	-	3	-	1				
MX123 CONN ASSY 73 CKT GRY OPT0 KEY B/45	345668683	C-HSG-B0	G-CAP-0-P	TPA-B0	RS	LS	MAL	CPA	MSEAL	RSEAL	-	71	-	69	-	-	-	65	64	-	-	61	60	-	58	-	56	55	54	-	SALEABLE		345650003	
											-	-	50	-	-	-	-	45	-	43	42	-	-	-	38	-	-	-	-	-				
															-	31	-	29	28	-	-	-	-	23	-	-	-	19	18	17				
															16	-	-	-	12	11	-	-	-	7	-	-	-	3	-	1				
MX123 CONN ASSY 73 CKT BLK OPT0 KEY A/45	345668693	C-HSG-A0	G-CAP-0-P	TPA-A0	RS	LS	MAL	CPA	MSEAL	RSEAL	-	71	-	69	-	-	-	65	64	-	-	61	60	-	58	-	56	55	54	-	SALEABLE		345650003	
											-	-	50	-	-	-	-	45	-	43	42	-	-	-	38	-	-	-	-	-				
															-	31	-	29	28	-	-	-	-	23	-	-	-	19	18	17				
															16	-	-	-	12	11	-	-	-	7	-	-	-	3	-	1				



ASSEMBLY DESCRIPTION	ASSEMBLY PART NUMBER	CONNECTOR HOUSING	GROMMET CAP	TPA	RIGHT SLIDE	LEFT SLIDE	MATE ASSIST LEVER	CPA	MAT SEAL	RING SEAL	BLOCKED TERMINALS																		STATUS	COMMENTS	INTEGRAL COMPONENTS SOLD SEPARATELY						
											CAVITY WITH A NUMBER INDICATES BLOCKED TERMINAL POSITION																				DRESS COVER						
											CAVITY WITHOUT A NUMBER INDICATES OPEN TERMINAL POSITION																										
MX123 CONN ASSY 73 CKT GRY OPT0 KEY B/42	345668703	C-HSG-B0	G-CAP-0-P	TPA-B0	RS	LS	MAL	CPA	MSEAL	RSEAL	72	71	70	-	-	67	-	65	-	63	62	61	60	-	58	-	56	-	54	-							
											52	51	-	-	-	-	46	45	-	43	42	41	40	-	38	-	36	-	34	-							
																						32	31	30	-	-	27	26	25	24	-	22	-	20	19	18	-
																						16	-	14	13	-	-	-	9	8	-	-	-	-	-	2	1
MX123 CONN ASSY 73 CKT GRY OPT9 KEY B/46	345668713	C-HSG-B9	G-CAP-9-P	TPA-B9	RS	LS	MAL	CPA	MSEAL	RSEAL	-	-	-	-	68	67	66	65	-	-	62	-	-	59	-	-	-	-	54	53							
											-	-	-	-	48	47	46	45	44	-	42	41	40	39	-	-	-	35	34	-							
																						-	31	-	-	-	27	-	-	-	-	-	-	19	18	17	
																						-	-	-	-	-	-	-	-	-	-	-	-	3	2	1	
MX123 CONN ASSY 73 CKT BLU OPT0 KEY C/36	345668723	C-HSG-C0	G-CAP-0-P	TPA-C0	RS	LS	MAL	CPA	MSEAL	RSEAL	72	-	-	69	68	67	-	65	-	63	62	-	-	59	58	-	56	55	-	53							
											-	-	-	-	-	47	46	-	-	43	42	-	40	39	38	-	36	35	-	-							
																						-	31	30	29	-	-	26	-	24	23	22	21	20	19	-	-
																						-	-	-	-	-	-	-	-	-	-	6	5	4	3	2	1
MX123 CONN ASSY 73 CKT BLK OPT0 KEY A/49	345668733	C-HSG-A0	G-CAP-0-P	TPA-A0	RS	LS	MAL	CPA	MSEAL	RSEAL	-	-	-	-	-	67	-	-	-	-	62	61	-	59	58	-	-	55	-	53							
											-	-	-	-	-	47	-	-	-	-	-	41	-	-	-	-	-	35	-	33							
																						-	-	-	-	-	27	26	25	24	-	-	-	-	19	18	17
																						16	-	-	-	-	11	10	9	8	-	-	-	-	-	-	1
MX123 CONN ASSY 73 CKT BLU OPT0 KEY C/41	345668743	C-HSG-C0	G-CAP-0-P	TPA-C0	RS	LS	MAL	CPA	MSEAL	RSEAL	-	-	-	-	68	-	-	65	-	63	62	61	60	59	58	57	56	55	-	53							
											-	-	-	-	48	-	-	45	-	43	42	41	40	-	-	37	36	35	34	33							
																						32	31	-	-	-	-	-	-	-	-	-	-	20	19	18	-
																						-	-	-	-	-	-	-	-	-	-	-	-	4	3	2	1
MX123 CONN ASSY 73 CKT GRY OPT0 KEY B/56	345668753	C-HSG-B0	G-CAP-0-P	TPA-B0	RS	LS	MAL	CPA	MSEAL	RSEAL	-	-	-	-	-	-	-	-	-	62	-	-	59	-	-	-	-	-									
											-	-	-	-	-	-	-	-	-	42	41	-	39	38	-	-	-	-	-								
																						-	31	-	-	-	27	-	-	23	22	-	20	-	18	17	
																						-	15	-	-	-	-	-	-	7	-	-	4	3	-	-	
MX123 CONN ASSY 73 CKT BLK OPT0 KEY A/45	345668763	C-HSG-A0	G-CAP-0-P	TPA-A0	RS	LS	MAL	CPA	MSEAL	RSEAL	-	-	-	69	68	-	-	65	64	63	62	61	60	-	-	-	-	-	-								
											-	-	-	49	48	-	-	45	44	43	42	41	40	-	38	-	-	-	34	-							
																						-	-	-	-	-	-	-	25	24	23	22	-	20	19	-	-
																						-	-	-	-	-	-	-	9	-	-	6	5	4	-	-	-
MX123 CONN ASSY 73 CKT GRY OPT9 KEY B/29	345668773	C-HSG-B9	G-CAP-9-P	TPA-B9	RS	LS	MAL	CPA	MSEAL	RSEAL	-	71	-	69	-	67	66	65	64	63	-	-	-	-	58	57	56	-	54	53							
											-	51	50	49	-	-	-	45	44	-	42	41	-	39	38	37	36	35	34	33							
																						32	31	-	29	28	27	26	25	24	23	-	-	-	-	-	
																						-	-	-	13	12	11	10	9	-	7	-	5	-	3	-	1
MX123 CONN ASSY 73 CKT BLK OPT9 KEY A/48	345668783	C-HSG-A9	G-CAP-9-P	TPA-A9	RS	LS	MAL	CPA	MSEAL	RSEAL	-	-	-	-	-	67	-	-	-	-	62	-	-	59	58	-	-	55	-	-							
											-	-	-	-	-	47	-	-	-	-	42	41	-	-	-	-	-	35	-	-							
																						-	-	-	-	-	27	26	25	24	-	-	-	20	19	18	17
																						16	-	-	-	-	11	10	9	8	-	-	-	4	3	-	1
MX123 CONN ASSY 73 CKT BLU OPT9 KEY C/38	345668793	C-HSG-C9	G-CAP-9-P	TPA-C9	RS	LS	MAL	CPA	MSEAL	RSEAL	72	-	-	69	68	-	-	-	64	63	62	-	-	59	58	-	56	55	-	-							
											-	-	-	-	-	-	46	-	-	43	42	-	40	39	38	-	36	35	-	-							
																						-	31	30	29	-	-	26	-	24	23	22	21	20	19	-	-
																						-	-	-	-	-	-	-	-	-	-	6	5	4	3	2	1
MX123 CONN ASSY 73 CKT GRY OPT0 KEY B/34	345668803	C-HSG-B0	G-CAP-0-P	TPA-B0	RS	LS	MAL	CPA	MSEAL	RSEAL	72	71	70	69	-	-	-	-	64	63	62	61	60	-	-	-	56	55	-	-							
											52	-	-	-	-	47	-	-	44	-	-	41	-	-	-	-	36	35	34	-							
																						-	-	-	29	28	27	-	25	-	-	-	21	-	19	18	17
																						-	15	14	-	12	11	-	-	-	-	-	-	3	2	1	
MX123 CONN ASSY 73 CKT GRY OPT9 KEY B/61	345668813	C-HSG-B9	G-CAP-9-P	TPA-B9	RS	LS	MAL	CPA	MSEAL	RSEAL	-	-	-	-	-	-	66	-	-	-	62	-	-	-	58	-	-	-	-								
											-	-	-	-	-	-	-	-	-	-	41	-	-	38	37	-	-	-	-								
																						-	-	-	-	-	-	-	-	-	-	-	20	19	18	17	
																						-	-	-	-	-	-	-	-	-	-	-	5	-	-	-	1

ASSEMBLY DESCRIPTION	ASSEMBLY PART NUMBER	CONNECTOR HOUSING	GROMMET CAP	TPA	RIGHT SLIDE	LEFT SLIDE	MATE ASSIST LEVER	CPA	MAT SEAL	RING SEAL	BLOCKED TERMINALS																				STATUS	COMMENTS	INTEGRAL COMPONENTS SOLD SEPARATELY			
											CAVITY WITH A NUMBER INDICATES BLOCKED TERMINAL POSITION																						DRESS COVER			
											CAVITY WITHOUT A NUMBER INDICATES OPEN TERMINAL POSITION																									
MX123 CONN ASSY 73 CKT BLU OPT9 KEY C/42	345668823	C-HSG-C9	G-CAP-9-P	TPA-C9	RS	LS	MAL	CPA	MSEAL	RSEAL	-	-	-	-	68	-	-	65	-	63	62	61	-	59	58	57	56	55	-	53	SALEABLE		345650003			
											-	-	-	-	48	-	-	45	-	43	42	41	-	-	38	37	36	35	34	33						
											-	-	-	-	32	31	-	-	-	-	-	-	-	-	-	-	-	20	19	18				-		
											-	-	-	-	-	-	-	-	-	-	-	-	-	-	-	-	-	4	3	2				1		
MX123 CONN ASSY 73 CKT BLU OPT9 KEY C/49	345668833	C-HSG-C9	G-CAP-9-P	TPA-C9	RS	LS	MAL	CPA	MSEAL	RSEAL	-	71	-	69	-	-	-	65	64	-	-	61	60	-	58	-	56	55	-	-	SALEABLE		345650003			
											-	-	50	-	-	-	-	45	-	43	42	-	-	-	38	-	-	-	-	-						
											-	-	-	-	-	31	-	29	28	-	-	-	-	23	-	-	-	19	18	-				-		
											-	-	-	-	16	-	-	-	12	11	-	-	-	-	-	-	-	3	-	-				-		
MX123 CONN ASSY 73 CKT BLU OPT0 KEY C/42	345668843	C-HSG-C0	G-CAP-0-P	TPA-C0	RS	LS	MAL	CPA	MSEAL	RSEAL	-	-	-	-	68	-	-	65	-	63	62	61	60	59	58	57	56	55	-	53	SALEABLE		345650003			
											-	-	-	-	48	-	-	45	-	43	42	-	40	-	-	37	36	35	34	33						
											-	-	-	-	32	31	-	-	-	-	-	-	-	-	-	-	20	19	18	-				-		
											-	-	-	-	-	-	-	-	-	-	-	-	-	-	-	-	4	3	2	1				-		
MX123 CONN ASSY 73 CKT GRY OPT0 KEY B/36	345668853	C-HSG-B0	G-CAP-0-P	TPA-B0	RS	LS	MAL	CPA	MSEAL	RSEAL	-	71	70	69	-	-	66	65	64	-	-	-	-	-	58	57	56	-	54	53	SALEABLE		345650003			
											-	51	50	49	-	-	-	45	-	-	42	-	-	39	-	-	-	-	-	34				33		
											-	-	-	-	32	31	-	29	28	-	26	25	24	23	-	-	-	-	-	-				17	-	
											-	-	-	-	-	15	-	13	12	-	10	9	-	7	-	5	-	3	2	-				-	-	
MX123 CONN ASSY 73 CKT GRY OPT0 KEY B/44	345668863	C-HSG-B0	G-CAP-0-P	TPA-B0	RS	LS	MAL	CPA	MSEAL	RSEAL	-	-	-	-	68	67	66	65	-	-	62	-	60	59	-	-	-	-	54	53	SALEABLE		345650003			
											-	-	-	-	48	47	46	45	44	-	42	41	40	39	-	-	-	35	34	-				-		
											-	-	-	-	-	31	-	-	-	27	-	-	-	-	-	-	-	19	18	17				-	-	
											-	-	-	-	-	15	-	-	-	-	-	-	-	-	-	-	-	3	2	1				-	-	
MX123 CONN ASSY 73 CKT GRY OPT0 KEY B/46	345668873	C-HSG-B0	G-CAP-0-P	TPA-B0	RS	LS	MAL	CPA	MSEAL	RSEAL	-	-	-	-	68	67	66	65	-	-	62	-	60	59	-	-	-	-	54	53	SALEABLE		345650003			
											-	-	-	-	48	47	46	45	44	-	42	41	40	39	-	-	-	35	34	-				-		
											-	-	-	-	-	-	-	-	-	27	-	-	-	-	-	-	-	19	18	17				-	-	
											-	-	-	-	-	-	-	-	-	-	-	-	-	-	-	-	-	3	2	1				-	-	
MX123 CONN ASSY 73 CKT GRY OPT0 KEY B/69	345668883	C-HSG-B0	G-CAP-0-P	TPA-B0	RS	LS	MAL	CPA	MSEAL	RSEAL	-	-	-	-	-	-	-	-	-	-	62	-	-	-	-	-	-	-	54	53	SALEABLE		345650003			
											-	-	-	-	-	-	-	-	-	-	42	-	-	-	-	-	-	-	-	-				-		
											-	-	-	-	-	-	-	-	-	-	-	-	-	-	-	-	-	-	-	-				-	-	
											-	-	-	-	-	-	-	-	-	-	-	-	-	-	-	-	-	-	-	-				-	-	
MX123 CONN ASSY 73 CKT BLK OPT0 KEY A/41	345668893	C-HSG-A0	G-CAP-0-P	TPA-A0	RS	LS	MAL	CPA	MSEAL	RSEAL	-	71	-	69	68	-	-	-	64	-	62	61	-	-	-	-	-	-	54	53	SALEABLE		345650003			
											-	-	50	-	-	-	-	44	-	-	41	-	-	-	-	-	-	-	34	33				-	-	
											-	-	-	-	32	31	30	29	-	-	26	25	24	-	-	-	20	19	-	-				-	-	
											-	-	-	-	16	15	14	13	-	-	10	-	8	-	6	5	4	3	-	-				-	-	
MX123 CONN ASSY 73 CKT BLK OPT0 KEY A/48	345668913	C-HSG-A0	G-CAP-0-P	TPA-A0	RS	LS	MAL	CPA	MSEAL	RSEAL	-	-	-	-	-	67	-	-	-	-	62	61	-	59	58	-	-	55	-	53	SALEABLE		345650003			
											-	-	-	-	-	47	-	-	-	-	-	-	-	-	-	-	35	-	33	-				-		
											-	-	-	-	-	-	-	-	27	26	25	24	-	-	-	20	19	18	17	-				-	-	
											-	-	-	-	16	-	-	-	-	11	10	9	8	-	-	-	4	3	-	-				-	-	
MX123 CONN ASSY 73 CKT BLK OPT0 KEY A/52	345668923	C-HSG-A0	G-CAP-0-P	TPA-A0	RS	LS	MAL	CPA	MSEAL	RSEAL	72	-	-	-	-	-	66	65	-	-	-	-	-	-	58	-	-	-	-	-	SALEABLE		345650003			
											-	-	-	-	48	47	-	-	-	-	-	-	-	-	-	-	-	35	-	33				-	-	
											-	-	-	-	-	31	30	-	-	-	-	-	24	23	22	-	20	19	-	17				-	-	
											-	-	-	-	-	-	-	-	-	-	-	-	-	7	6	-	4	-	2	1				-	-	
MX123 CONN ASSY 73 CKT BLU OPT0 KEY C/30	345668933	C-HSG-C0	G-CAP-0-P	TPA-C0	RS	LS	MAL	CPA	MSEAL	RSEAL	-	-	70	-	-	67	-	-	64	-	62	61	60	-	-	57	-	55	54	-	SALEABLE		345650003			
											52	51	50	49	48	47	46	45	44	-	42	41	40	-	-	37	-	35	34	33				-	-	
											-	-	-	-	32	-	-	-	28	27	26	25	-	-	-	-	-	19	18	17				-	-	
											-	-	-	-	16	15	14	13	12	11	10	9	8	7	-	-	-	-	-	-				-	-	-
MX123 CONN ASSY 73 CKT GRY OPT0 KEY B/24	345668943	C-HSG-B0	G-CAP-0-P	TPA-B0	RS	LS	MAL	CPA	MSEAL	RSEAL	-	71	70	69	-	67	66	65	64	63	-	-	60	59	58	57	56	-	54	53	SALEABLE		345650003			
											-	51	50	49	48	47	-	45	44	-	42	41	-	39	38	37	36	35	34	33				-	-	
											-	-	-	-	32	31	30	29	28	27	26	25	24	23	-	-	-	-	-	-				-	-	-
											-	-	-	-	-	-	-	13	12	11	10	9	-	7	-	5	-	-	-	-				-	-	1

ASSEMBLY DESCRIPTION	ASSEMBLY PART NUMBER	CONNECTOR HOUSING	GROMMET CAP	TPA	RIGHT SLIDE	LEFT SLIDE	MATE ASSIST LEVER	CPA	MAT SEAL	RING SEAL	BLOCKED TERMINALS																				STATUS	COMMENTS	INTEGRAL COMPONENTS SOLD SEPARATELY		
											CAVITY WITH A NUMBER INDICATES BLOCKED TERMINAL POSITION																						DRESS COVER		
											CAVITY WITHOUT A NUMBER INDICATES OPEN TERMINAL POSITION																								
MX123 CONN ASSY 73 CKT BLU OPT9 KEY C/43	345668953	C-HSG-C9	G-CAP-9-P	TPA-C9	RS	LS	MAL	CPA	MSEAL	RSEAL	-	-	-	-	68	-	-	65	-	63	62	61	-	59	58	57	56	55	-	53	SALEABLE		345650003		
											-	-	-	-	48	-	-	45	-	43	42	41	-	-	-	37	36	35	34	33					
											-	-	-	-	32	31	-	-	-	-	-	-	-	-	-	-	-	20	19	18				-	
											-	-	-	-	-	-	-	-	-	-	-	-	-	-	-	-	-	4	3	2				1	
MX123 CONN ASSY 73 CKT GRY OPT0 KEY B/31	345668963	C-HSG-B0	G-CAP-0-P	TPA-B0	RS	LS	MAL	CPA	MSEAL	RSEAL	-	71	70	69	68	67	66	65	64	63	-	-	-	-	58	57	56	-	54	53	SALEABLE		345650003		
											-	51	50	49	-	-	-	45	44	-	42	-	-	39	-	-	-	-	-	34				33	
											-	-	-	-	32	31	-	29	28	27	26	25	24	23	-	-	-	-	-	-				-	-
											-	-	-	-	-	-	-	13	12	11	10	9	8	7	-	5	-	3	2	-				-	-
MX123 CONN ASSY 73 CKT BLK OPT0 KEY A/47	345668973	C-HSG-A0	G-CAP-0-P	TPA-A0	RS	LS	MAL	CPA	MSEAL	RSEAL	-	-	-	-	-	67	-	-	-	-	62	61	-	59	58	-	-	55	-	53	SALEABLE		345650003		
											-	-	-	-	-	47	-	-	-	-	-	41	-	-	-	-	-	35	-	33					
											-	-	-	-	-	-	-	-	-	27	26	25	24	-	-	-	20	19	18	-				-	
											-	-	-	-	16	-	-	-	-	11	10	9	8	-	-	-	4	3	-	1				-	
MX123 CONN ASSY 73 CKT BLU OPT0 KEY C/38	345668983	C-HSG-C0	G-CAP-0-P	TPA-C0	RS	LS	MAL	CPA	MSEAL	RSEAL	72	-	-	69	68	-	-	65	-	63	62	-	-	59	58	-	56	55	-	53	SALEABLE		345650003		
											-	-	-	-	-	-	46	-	-	43	42	-	40	39	38	-	36	35	-	-					
											-	-	-	-	-	31	30	29	-	-	26	-	24	23	22	21	20	19	-	-				-	
											-	-	-	-	-	-	-	-	-	-	-	-	-	-	6	5	4	3	2	1				-	
MX123 CONN ASSY 73 CKT GRY OPT0 KEY B/12	345668993	C-HSG-B0	G-CAP-0-P	TPA-B0	RS	LS	MAL	CPA	MSEAL	RSEAL	72	71	70	69	68	67	-	65	64	63	-	61	60	59	-	57	56	55	54	53	SALEABLE		345650003		
											52	51	50	49	48	47	46	45	44	43	42	-	40	39	-	-	36	35	34	33					
											-	-	-	-	32	31	30	29	28	27	26	25	24	23	22	21	20	-	-	-				-	
											-	-	-	-	16	15	14	13	12	11	10	9	8	7	6	-	4	3	2	-				-	-
MX123 CONN ASSY 73 CKT GRY OPT0 KEY B/50	345669003	C-HSG-B0	G-CAP-0-P	TPA-B0	RS	LS	MAL	CPA	MSEAL	RSEAL	72	71	70	-	-	67	-	65	64	63	62	61	60	-	58	-	56	-	54	-	SALEABLE		345650003		
											52	51	50	-	-	47	-	45	-	43	42	41	40	-	38	-	36	-	34	-					
											-	-	-	-	32	31	30	-	-	27	26	25	24	-	22	-	20	19	-	17				-	
											-	-	-	-	16	15	14	13	12	-	-	9	8	-	6	5	4	3	2	1				-	-
MX123 CONN ASSY 73 CKT BLK OPT0 KEY A/29	345669013	C-HSG-A0	G-CAP-0-P	TPA-A0	RS	LS	MAL	CPA	MSEAL	RSEAL	72	71	70	-	-	67	66	-	-	-	-	-	-	59	58	57	56	55	54	53	SALEABLE		345650003		
											52	51	50	-	-	47	46	-	-	-	-	-	-	39	-	37	36	35	-	33					
											-	-	-	-	32	31	30	29	28	27	26	-	-	-	-	21	-	-	18	17				-	-
											-	-	-	-	16	15	14	13	12	11	10	-	8	7	-	-	-	3	2	1				-	-
MX123 CONN ASSY 73 CKT GRY OPT0 KEY B/18	345669023	C-HSG-B0	G-CAP-0-P	TPA-B0	RS	LS	MAL	CPA	MSEAL	RSEAL	72	71	70	69	68	67	66	65	64	63	-	61	60	-	58	57	56	55	54	53	SALEABLE		345650003		
											52	51	50	49	48	47	46	45	44	43	-	-	40	-	-	37	36	35	34	33					
											-	-	-	-	32	-	30	29	28	-	26	25	24	-	-	21	-	19	-	-				-	
											-	-	-	-	16	-	14	13	12	11	10	9	8	-	6	5	-	-	2	1				-	-
MX123 CONN ASSY 73 CKT BLU OPT0 KEY C/43	345669033	C-HSG-C0	G-CAP-0-P	TPA-C0	RS	LS	MAL	CPA	MSEAL	RSEAL	-	71	-	69	68	-	66	65	64	-	62	61	-	-	-	-	-	54	53	SALEABLE		345650003			
											-	-	-	-	48	-	-	-	-	43	42	41	40	-	-	37	36	35	-				33		
											-	-	-	-	32	-	-	-	-	27	-	-	-	-	-	-	20	19	18				-	-	
											-	-	-	-	-	-	-	-	11	10	-	-	-	-	-	-	4	3	2				1	-	-
MX123 CONN ASSY 73 CKT BLU OPT0 KEY C/40	345669043	C-HSG-C0	G-CAP-0-P	TPA-C0	RS	LS	MAL	CPA	MSEAL	RSEAL	-	-	-	-	68	-	-	-	-	63	62	61	60	59	58	57	56	55	-	53	SALEABLE		345650003		
											-	-	-	-	48	-	-	-	-	43	42	41	40	-	-	37	36	35	34	33					
											-	-	-	-	32	31	-	-	-	27	-	-	-	-	-	-	20	19	18	-				-	
											-	-	-	-	-	-	-	-	11	10	-	-	-	-	-	-	4	3	2	1				-	-
MX123 CONN ASSY 73 CKT BLU OPT0 KEY C/49	345669053	C-HSG-C0	G-CAP-0-P	TPA-C0	RS	LS	MAL	CPA	MSEAL	RSEAL	-	-	-	-	-	67	-	-	-	63	62	-	-	59	58	-	-	55	-	-	SALEABLE		345650003		
											-	-	-	-	-	47	-	-	-	-	-	41	-	-	-	-	-	35	-	-					
											-	-	-	-	32	-	-	-	-	27	26	25	24	-	-	-	-	19	18	17				-	-
											-	-	-	-	16	-	-	-	-	11	10	9	8	-	-	-	-	3	-	1				-	-
MX123 CONN ASSY 73 CKT GRY OPT0 KEY B/26	345669063	C-HSG-B0	G-CAP-0-P	TPA-B0	RS	LS	MAL	CPA	MSEAL	RSEAL	-	71	70	69	-	67	66	65	64	63	-	-	-	-	58	57	56	-	54	53	SALEABLE		345650003		
											-	51	50	49	48	47	-	45	-	-	42	-	-	39	38	37	36	35	34	33					
											-	-	-	-	32	31	30	29	28	27	26	25	24	23	-	-	-	-	-	-				-	-
											-	-	-	-	-	-	-	13	12	11	10	9	-	7	-	5	-	3	2	1				-	-



ASSEMBLY DESCRIPTION	ASSEMBLY PART NUMBER	CONNECTOR HOUSING	GROMMET CAP	TPA	RIGHT SLIDE	LEFT SLIDE	MATE ASSIST LEVER	CPA	MAT SEAL	RING SEAL	BLOCKED TERMINALS																STATUS	COMMENTS	INTEGRAL COMPONENTS SOLD SEPARATELY													
											CAVITY WITH A NUMBER INDICATES BLOCKED TERMINAL POSITION																		DRESS COVER													
											CAVITY WITHOUT A NUMBER INDICATES OPEN TERMINAL POSITION																															
MX123 CONN ASSY 73 CKT GRY OPT0 KEY B/46	345669213	C-HSG-B0	G-CAP-0-P	TPA-B0	RS	LS	MAL	CPA	MSEAL	RSEAL	72	71	70	69	-	-	-	-	-	63	62	61	60	-	-	-	56	-	-	-												
											52	-	-	-	-	-	47	-	-	44	-	-	-	-	-	-	-	36	-	34	-											
																											-	19	18	17												
																											-	15	14	-	12	11	-	-	-	-	-	-	-	-	-	-
MX123 CONN ASSY 73 CKT GRY OPT9 KEY B/30	345669223	C-HSG-B9	G-CAP-9-P	TPA-B9	RS	LS	MAL	CPA	MSEAL	RSEAL	-	71	70	69	68	67	66	65	64	63	-	-	-	-	58	57	56	-	54	53												
											-	51	50	49	-	-	-	45	44	43	42	-	-	39	-	-	-	-	-	34	33											
																											32	31	-	29	28	27	26	25	24	23	-	-	-	-	-	17
																											-	-	-	13	12	11	10	9	8	7	-	5	-	-	2	-
MX123 CONN ASSY 73 CKT BLU OPT9 KEY C/40	345669233	C-HSG-C9	G-CAP-9-P	TPA-C9	RS	LS	MAL	CPA	MSEAL	RSEAL	72	-	70	69	68	-	66	-	-	63	62	-	-	-	58	-	56	55	-	53												
											-	-	-	49	-	-	46	-	-	43	42	-	40	-	38	-	36	35	-	-												
																											-	31	30	29	-	-	26	-	24	-	22	21	20	19	-	17
																											-	-	-	-	-	-	-	-	-	-	-	-	4	3	2	1
MX123 CONN ASSY 73 CKT GRY OPT9 KEY B/44	345669243	C-HSG-B9	G-CAP-9-P	TPA-B9	RS	LS	MAL	CPA	MSEAL	RSEAL	-	-	-	-	68	67	66	65	-	-	62	-	60	59	-	-	-	-	54	53												
											-	-	-	-	48	47	46	45	44	-	42	41	40	39	-	-	-	-	35	34	-											
																											-	31	-	-	-	27	-	-	-	-	-	-	-	19	18	17
																											-	15	-	-	-	-	-	-	-	-	-	-	-	-	3	2
MX123 CONN ASSY 73 CKT GRY OPT9 KEY B/61	345669253	C-HSG-B9	G-CAP-9-P	TPA-B9	RS	LS	MAL	CPA	MSEAL	RSEAL	-	-	-	-	-	-	66	-	-	-	-	-	-	58	-	-	-	-	-													
											-	-	-	-	-	-	-	-	-	-	-	41	-	-	38	37	-	-	-	-												
																											-	-	-	-	-	-	-	-	-	-	-	20	19	18	17	
																											-	-	-	-	-	-	-	8	-	-	5	-	-	-	-	1
MX123 CONN ASSY 73 CKT GRY OPT9 KEY B/22	345669263	C-HSG-B9	G-CAP-9-P	TPA-B9	RS	LS	MAL	CPA	MSEAL	RSEAL	-	71	70	69	-	67	66	65	64	63	-	-	-	-	58	57	56	-	54	53												
											-	51	50	49	48	47	-	45	44	-	42	-	-	39	38	37	36	35	34	33												
																											32	31	30	29	28	27	26	25	24	23	-	-	-	19	18	17
																											-	-	-	13	12	11	10	9	-	7	-	5	-	3	2	1
MX123 CONN ASSY 73 CKT GRY OPT9 KEY B/57	345669273	C-HSG-B9	G-CAP-9-P	TPA-B9	RS	LS	MAL	CPA	MSEAL	RSEAL	-	-	-	-	-	-	66	-	-	-	62	-	-	-	58	-	-	-	-	-												
											52	51	-	-	-	-	-	45	-	-	-	41	-	-	38	37	-	-	-	-												
																											-	-	-	-	-	-	-	-	-	-	-	20	19	18	17	
																											-	-	-	-	-	-	-	8	-	-	5	-	-	-	-	1
MX123 CONN ASSY 73 CKT BLK OPT0 KEY A/14	345669303	C-HSG-A0	G-CAP-0-P	TPA-A0	RS	LS	MAL	CPA	MSEAL	RSEAL	-	-	70	-	-	-	-	65	-	-	-	61	60	-	-	-	-	-	-													
											-	-	-	-	-	-	-	45	-	-	-	41	40	-	-	-	-	-	-	-												
																											-	-	-	-	28	-	26	25	-	-	-	-	-	-	18	-
																											16	-	-	-	-	-	10	-	-	-	-	-	-	-	-	-
MX123 CONN ASSY 73 CKT BLK OPT9 KEY A/33	345669313	C-HSG-A9	G-CAP-9-P	TPA-A9	RS	LS	MAL	CPA	MSEAL	RSEAL	-	71	70	69	68	67	66	65	-	63	-	-	60	59	-	-	-	-	-	-												
											-	-	50	49	-	47	-	-	44	-	42	-	-	39	38	-	36	35	34	33												
																											-	31	-	-	28	-	26	-	24	23	22	21	-	19	18	17
																											-	-	14	-	12	-	-	-	8	7	6	5	-	3	2	1
MX123 CONN ASSY 73 CKT BLK OPT9 KEY A/37	345669323	C-HSG-A9	G-CAP-9-P	TPA-A9	RS	LS	MAL	CPA	MSEAL	RSEAL	-	71	70	69	68	67	66	65	-	63	-	-	60	-	-	-	-	-	-													
											-	-	50	49	-	47	-	-	44	-	42	-	-	39	38	-	36	-	-	33												
																											-	31	-	-	28	-	26	-	24	23	22	21	-	19	18	17
																											-	-	14	-	12	-	-	-	8	7	6	5	-	-	2	1
MX123 CONN ASSY 73 CKT BLK OPT9 KEY A/35	345669333	C-HSG-A9	G-CAP-9-P	TPA-A9	RS	LS	MAL	CPA	MSEAL	RSEAL	-	71	70	69	68	67	66	65	-	63	-	-	60	-	-	-	-	-	53													
											-	-	50	49	-	47	-	-	44	-	42	-	-	39	38	-	36	-	-	33												
																											-	31	-	-	28	-	26	-	24	23	22	21	-	19	18	17
																											-	-	14	-	12	-	-	-	8	7	6	5	-	3	2	1
MX123 CONN ASSY 73 CKT BLU OPT9 KEY C/34	345669343	C-HSG-C9	G-CAP-9-P	TPA-C9	RS	LS	MAL	CPA	MSEAL	RSEAL	-	71	-	-	-	67	-	65	64	-	-	61	60	59	-	57	-	-	54	-												
											52	51	50	-	48	47	-	45	44	-	-	41	-	39	-	37	-	-	-	34	33											
																											32	-	-	-	28	27	-	25	-	23	-	-	-	-	18	-
																											16	15	14	13	12	11	10	9	8	7	6	5	-	-	-	-





ASSEMBLY DESCRIPTION	ASSEMBLY PART NUMBER	CONNECTOR HOUSING	GROMMET CAP	TPA	RIGHT SLIDE	LEFT SLIDE	MATE ASSIST LEVER	CPA	MAT SEAL	RING SEAL	BLOCKED TERMINALS																				STATUS	COMMENTS	INTEGRAL COMPONENTS SOLD SEPARATELY	
											CAVITY WITH A NUMBER INDICATES BLOCKED TERMINAL POSITION																						DRESS COVER	
											CAVITY WITHOUT A NUMBER INDICATES OPEN TERMINAL POSITION																							
MX123 CONN ASSY 73 CKT BLU OPT0 KEY C/47	345669563	C-HSG-C0	G-CAP-0-P	TPA-C0	RS	LS	MAL	CPA	MSEAL	RSEAL	-	-	-	-	68	-	-	-	-	63	62	61	-	59	58	57	-	55	-	53	SALEABLE		345650003	
											-	-	-	-	-	-	-	-	-	43	42	41	-	-	-	37	36	35	-	33				
											-	-	-	-	32	-	-	29	-	27	-	-	-	-	-	-	-	19	18	-				
											-	-	-	-	-	-	-	-	-	11	10	-	-	-	-	-	-	3	2	1				
MX123 CONN ASSY 73 CKT GRY OPT0 KEY B/61	345669573	C-HSG-B0	G-CAP-0-P	TPA-B0	RS	LS	MAL	CPA	MSEAL	RSEAL	-	-	-	-	-	66	-	-	-	62	-	-	-	58	-	-	-	-	-	SALEABLE		345650003		
											-	-	-	-	-	-	-	-	-	-	-	41	-	-	38	37	-	-	-	-				
											-	-	-	-	-	-	-	-	-	-	-	-	-	-	-	-	20	19	18	17				
											-	-	-	-	-	-	-	-	-	-	-	-	-	-	-	-	5	-	-	-	1			
MX123 CONN ASSY 73 CKT GRY OPT0 KEY B/65	345669583	C-HSG-B0	G-CAP-0-P	TPA-B0	RS	LS	MAL	CPA	MSEAL	RSEAL	-	-	-	-	-	-	-	-	-	62	-	-	-	58	-	-	-	-	-	SALEABLE		345650003		
											-	-	-	-	-	-	-	-	-	42	-	-	-	-	-	-	-	-	-	-				
											-	-	-	-	-	-	-	-	-	27	-	25	-	-	-	-	-	-	-	-				
											-	-	-	-	-	-	-	-	-	11	10	-	-	-	-	-	-	-	-	-				
MX123 CONN ASSY 73 CKT BLK OPT0 KEY A/33	345669593	C-HSG-A0	G-CAP-0-P	TPA-A0	RS	LS	MAL	CPA	MSEAL	RSEAL	-	71	-	69	68	-	66	65	64	-	62	61	-	-	-	-	-	-	54	53	SALEABLE		345650003	
											-	-	50	49	-	-	46	45	44	-	-	41	-	-	-	-	-	34	33					
											-	-	-	-	32	31	30	29	-	-	26	25	24	23	22	21	20	19	-	-				
											-	-	-	-	16	15	14	13	-	-	10	-	8	-	6	5	4	3	-	-				
MX123 CONN ASSY 73 CKT BLK OPT0 KEY A/28	345669603	C-HSG-A0	G-CAP-0-P	TPA-A0	RS	LS	MAL	CPA	MSEAL	RSEAL	72	-	-	-	-	67	-	-	-	-	62	-	60	-	-	-	-	55	54	53	SALEABLE		345650003	
											-	51	-	-	48	-	46	45	44	43	42	-	40	39	-	-	-	-	-					
											-	-	-	-	-	-	-	-	-	-	26	25	-	-	22	21	-	-	-	-				
											-	-	-	-	-	-	-	-	-	-	-	-	8	7	6	5	4	3	2	-				
MX123 CONN ASSY 73 CKT BLU OPT0 KEY C/45	345669613	C-HSG-C0	G-CAP-0-P	TPA-C0	RS	LS	MAL	CPA	MSEAL	RSEAL	72	-	-	-	68	-	-	-	-	63	62	61	-	59	58	57	-	55	54	53	SALEABLE		345650003	
											-	-	-	-	48	-	-	-	-	43	42	41	-	-	38	37	36	35	-	33				
											-	-	-	-	32	-	-	29	-	27	-	-	-	-	-	-	-	-	-	-				
											-	-	-	-	-	-	-	-	-	11	10	-	-	-	-	-	-	3	2	1				
MX123 CONN ASSY 73 CKT GRY OPT9 KEY B/40	345669623	C-HSG-B9	G-CAP-9-P	TPA-B9	RS	LS	MAL	CPA	MSEAL	RSEAL	-	-	-	69	68	67	66	65	-	-	62	-	60	59	-	-	-	-	54	53	SALEABLE		345650003	
											-	-	-	49	48	47	46	45	44	-	42	41	40	39	-	-	-	35	34	33				
											-	-	-	-	-	31	-	-	-	27	-	-	-	-	-	-	-	19	18	17				
											-	-	-	-	-	15	-	-	12	-	-	-	-	-	-	-	-	3	2	1				
MX123 CONN ASSY 73 CKT GRY OPT9 KEY B/60	345669633	C-HSG-B9	G-CAP-9-P	TPA-B9	RS	LS	MAL	CPA	MSEAL	RSEAL	-	-	-	-	-	-	66	-	-	-	62	-	-	-	58	-	-	-	-	-	SALEABLE		345650003	
											-	-	-	-	-	-	-	-	-	-	-	41	-	-	38	37	-	-	-	-				
											-	-	-	-	-	-	-	-	-	-	-	-	-	-	-	-	-	19	18	17				
											-	-	-	-	-	-	-	-	-	-	-	-	8	-	-	5	4	-	-	1				
MX123 CONN ASSY 73 CKT BLK OPT9 KEY A/20	345669643	C-HSG-A9	G-CAP-9-P	TPA-A9	RS	LS	MAL	CPA	MSEAL	RSEAL	72	71	70	-	68	67	66	65	-	-	62	-	60	-	58	57	56	55	54	53	SALEABLE		345650003	
											-	51	50	49	-	47	46	45	-	-	42	-	40	-	-	37	36	-	-	33				
											-	-	-	-	32	31	-	-	28	27	26	25	24	23	22	21	20	19	18	17				
											-	-	-	-	16	15	14	13	12	11	-	9	8	7	6	-	4	3	-	1				
MX123 CONN ASSY 73 CKT GRY OPT0 KEY B/52	345669663	C-HSG-B0	G-CAP-0-P	TPA-B0	RS	LS	MAL	CPA	MSEAL	RSEAL	-	-	-	-	-	-	-	-	-	-	62	-	60	59	-	-	-	-	-	-	SALEABLE		345650003	
											-	-	-	-	-	-	-	-	-	43	42	41	-	39	38	-	-	-	-	-				
											-	-	-	-	-	31	-	-	-	27	-	-	-	23	22	-	20	19	18	17				
											-	-	-	-	-	15	-	-	-	11	-	-	-	7	-	-	4	3	-	-				
MX123 CONN ASSY 73 CKT BLU OPT0 KEY C/46	345669673	C-HSG-C0	G-CAP-0-P	TPA-C0	RS	LS	MAL	CPA	MSEAL	RSEAL	-	-	-	-	68	-	-	-	-	63	62	61	-	59	58	57	-	55	-	53	SALEABLE		345650003	
											-	-	-	-	48	-	-	-	-	43	42	41	-	-	-	37	36	35	-	33				
											-	-	-	-	32	-	-	29	-	27	-	-	-	-	-	-	-	19	18	-				
											-	-	-	-	-	-	-	-	-	11	10	-	-	-	-	-	-	3	2	1				
MX123 CONN ASSY 73 CKT GRY OPT0 KEY B/60	345669683	C-HSG-B0	G-CAP-0-P	TPA-B0	RS	LS	MAL	CPA	MSEAL	RSEAL	-	-	-	-	-	-	-	-	-	-	62	-	-	59	58	-	-	-	-	53	SALEABLE		345650003	
											-	-	-	-	-	-	-	-	-	-	42	-	-	39	-	-	-	-	34	-				
											-	-	-	-	-	-	-	-	-	-	27	-	25	-	-	-	-	-	18	-				
											-	-	-	-	-	-	-	-	-	11	10	-	-	-	-	-	-	-	2	-				

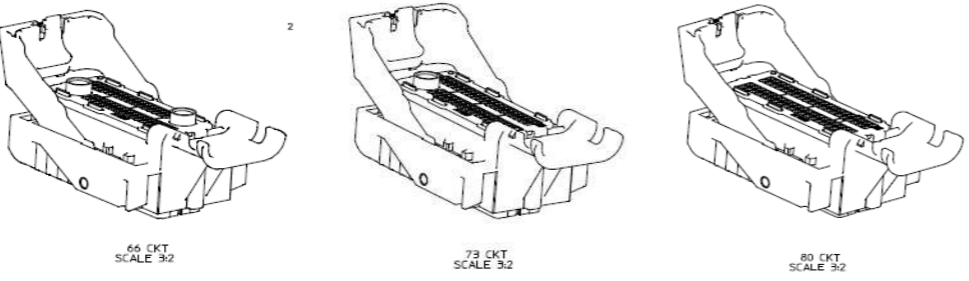
ASSEMBLY DESCRIPTION	ASSEMBLY PART NUMBER	CONNECTOR HOUSING	GROMMET CAP	TPA	RIGHT SLIDE	LEFT SLIDE	MATE ASSIST LEVER	CPA	MAT SEAL	RING SEAL	BLOCKED TERMINALS																		STATUS	COMMENTS	INTEGRAL COMPONENTS SOLD SEPARATELY			
											CAVITY WITH A NUMBER INDICATES BLOCKED TERMINAL POSITION																				DRESS COVER			
											CAVITY WITHOUT A NUMBER INDICATES OPEN TERMINAL POSITION																							
MX123 CONN ASSY 73 CKT BLK OPT0 KEY A/32	345669693	C-HSG-A0	G-CAP-0-P	TPA-A0	RS	LS	MAL	CPA	MSEAL	RSEAL	-	71	-	69	68	-	66	65	64	-	62	61	-	-	-	-	-	-	54	-				
											-	-	50	49	-	-	46	45	44	-	-	41	-	-	-	-	-	-	-	-	-	-	34	-
															32	31	30	29	-	27	26	25	24	23	22	21	20	19	-	-				
				16	15	14	13	-	-	10	9	8	7	6	5	4	3	-	-															
MX123 CONN ASSY 73 CKT BLK OPT0 KEY A/30	345669703	C-HSG-A0	G-CAP-0-P	TPA-A0	RS	LS	MAL	CPA	MSEAL	RSEAL	-	-	-	-	-	67	66	-	-	-	62	-	60	-	58	-	-	55	54	53				
											-	-	-	-	48	-	46	45	44	43	42	-	40	39	-	-	-	35	-	-				
															-	-	-	-	-	-	26	25	-	-	22	21	-	-	-	17				
				-	15	14	-	-	-	-	-	8	7	6	5	4	-	-	-															
MX123 CONN ASSY 73 CKT GRY OPT0 KEY B/45	345669713	C-HSG-B0	G-CAP-0-P	TPA-B0	RS	LS	MAL	CPA	MSEAL	RSEAL	72	71	70	69	-	-	-	-	-	63	62	61	60	-	-	-	56	-	-					
											52	-	-	-	-	47	-	-	44	-	-	41	-	-	-	-	36	-	34	-				
															-	-	-	29	28	27	-	25	-	-	-	21	-	19	18	17				
				-	15	14	-	12	11	-	-	-	-	-	-	-	-	-	1															
MX123 CONN ASSY 73 CKT GRY OPT0 KEY B/47	345669723	C-HSG-B0	G-CAP-0-P	TPA-B0	RS	LS	MAL	CPA	MSEAL	RSEAL	-	-	-	-	-	-	-	-	-	-	62	-	60	59	-	-	-	54	53					
											-	-	-	-	-	-	-	-	44	-	42	41	-	39	38	-	-	35	34	33				
															-	31	-	-	-	27	-	-	-	23	22	-	20	-	18	17				
				-	15	-	-	-	-	-	-	7	-	-	4	3	2	1																
MX123 CONN ASSY 73 CKT BLK OPT0 KEY A/32	345669733	C-HSG-A0	G-CAP-0-P	TPA-A0	RS	LS	MAL	CPA	MSEAL	RSEAL	-	-	-	69	68	-	-	65	64	63	62	61	60	-	58	57	56	55	54	-				
											-	-	-	49	48	-	-	45	44	43	42	41	40	-	38	-	36	-	34	-				
															32	31	-	-	-	-	25	24	23	22	-	20	19	18	-					
				-	15	14	-	12	-	-	9	-	-	6	5	4	-	2	-															
MX123 CONN ASSY 73 CKT GRY OPT0 KEY B/57	345669743	C-HSG-B0	G-CAP-0-P	TPA-B0	RS	LS	MAL	CPA	MSEAL	RSEAL	-	-	-	-	-	66	-	-	-	-	62	-	-	-	58	-	-	-	-					
											52	51	-	-	-	-	45	-	-	-	41	-	-	38	37	-	-	-	-					
															-	-	-	-	-	-	-	-	-	-	-	20	19	18	17					
				-	-	-	-	-	-	-	-	-	-	5	4	-	-	1																
MX123 CONN ASSY 73 CKT BLU OPT0 KEY C/45	345669753	C-HSG-C0	G-CAP-0-P	TPA-C0	RS	LS	MAL	CPA	MSEAL	RSEAL	-	-	-	-	68	-	-	-	-	63	62	61	-	59	58	57	-	55	-	53				
											-	-	-	-	48	-	-	-	-	43	-	-	-	38	37	36	35	34	33					
															32	-	-	29	-	27	-	-	-	-	-	-	19	18	17					
				-	-	-	-	-	11	10	-	-	-	-	-	3	2	1																
MX123 CONN ASSY 73 CKT BLK OPT0 KEY A/33	345669773	C-HSG-A0	G-CAP-0-P	TPA-A0	RS	LS	MAL	CPA	MSEAL	RSEAL	-	-	-	69	68	-	-	65	64	63	62	61	60	-	58	57	56	55	54	-				
											-	-	-	49	48	-	-	45	44	43	42	41	40	-	38	-	36	-	34	-				
															32	31	-	-	-	-	25	24	23	22	-	20	19	18	-					
				-	15	14	-	-	-	-	9	-	-	6	5	4	-	2	-															
MX123 CONN ASSY 73 CKT GRY OPT0 KEY B/58	345669783	C-HSG-B0	G-CAP-0-P	TPA-B0	RS	LS	MAL	CPA	MSEAL	RSEAL	-	-	-	-	-	66	-	-	-	-	-	-	-	58	-	-	-	-						
											52	51	-	-	-	-	45	-	-	-	41	-	-	38	37	-	-	-	-					
															-	-	-	-	-	-	-	-	-	-	20	19	18	17						
				-	-	-	-	-	-	-	-	-	-	5	4	-	-	1																
MX123 CONN ASSY 73 CKT GRY OPT9 KEY B/47	345669793	C-HSG-B9	G-CAP-9-P	TPA-B9	RS	LS	MAL	CPA	MSEAL	RSEAL	-	-	70	-	-	-	66	-	-	-	62	-	60	59	-	-	-	-	-					
											-	-	-	-	-	-	46	45	-	-	42	-	40	39	-	-	-	35	34	33				
															32	31	30	-	-	27	-	-	-	-	21	-	19	18	17					
				-	15	-	-	-	11	-	-	-	-	-	-	3	2	1																
MX123 CONN ASSY 73 CKT BLK OPT0 KEY A/32	345669803	C-HSG-A0	G-CAP-0-P	TPA-A0	RS	LS	MAL	CPA	MSEAL	RSEAL	-	-	-	-	-	67	66	-	-	-	62	-	60	-	58	-	-	55	54	53				
											-	-	-	-	48	-	46	45	44	43	42	-	40	39	-	-	-	35	-	-				
															-	-	-	-	-	-	26	25	-	-	22	21	-	-	-	17				
				-	15	14	-	-	-	-	-	8	7	6	5	4	3	2	-															
MX123 CONN ASSY 73 CKT BLK OPT9 KEY A/42	345669813	C-HSG-A9	G-CAP-9-P	TPA-A9	RS	LS	MAL	CPA	MSEAL	RSEAL	-	-	-	69	68	-	-	-	-	-	-	-	60	-	58	57	56	-	-					
											-	-	50	49	48	-	-	-	-	-	-	40	-	38	-	-	-	-	-					
															32	31	-	-	28	27	26	-	24	23	22	21	20	19	-	-				
				16	15	14	-	12	-	10	9	-	-	6	5	-	-	2	-															



ASSEMBLY DESCRIPTION	ASSEMBLY PART NUMBER	CONNECTOR HOUSING	GROMMET CAP	TPA	RIGHT SLIDE	LEFT SLIDE	MATE ASSIST LEVER	CPA	MAT SEAL	RING SEAL	BLOCKED TERMINALS																				STATUS	COMMENTS	INTEGRAL COMPONENTS SOLD SEPARATELY																
											CAVITY WITH A NUMBER INDICATES BLOCKED TERMINAL POSITION																						DRESS COVER																
											CAVITY WITHOUT A NUMBER INDICATES OPEN TERMINAL POSITION																																						
MX123 CONN ASSY 73 CKT BLK OPT0 KEY A/60	345669823	C-HSG-A0	G-CAP-0-P	TPA-A0	RS	LS	MAL	CPA	MSEAL	RSEAL	-	-	-	-	-	-	66	-	-	-	62	-	-	-	58	-	-	-	-	-	-	SALEABLE		345650003															
											-	-	-	-	-	-	-	-	-	-	-	-	-	-	41	-	-	38	37	-	-				-	-	-												
											-	-	-	-	-	-	-	-	-	-	-	-	-	-	-	-	-	-	-	20	19				18	17													
MX123 CONN ASSY 73 CKT GRV OPT9 KEY B/51	345669833	C-HSG-B9	G-CAP-9-P	TPA-B9	RS	LS	MAL	CPA	MSEAL	RSEAL	-	-	-	-	-	66	65	-	-	62	-	60	59	-	-	-	-	-	-	-	SALEABLE		345650003																
											-	-	-	-	-	-	-	-	-	-	-	-	-	-	-	-	-	-	-	35				34	-														
											-	-	-	-	-	-	-	-	-	-	-	-	-	-	-	-	-	-	-	-				19	18	17													
MX123 CONN ASSY 73 CKT BLK OPT9 KEY A/41	345669843	C-HSG-A9	G-CAP-9-P	TPA-A9	RS	LS	MAL	CPA	MSEAL	RSEAL	-	-	-	-	69	68	-	-	-	-	-	-	60	-	58	57	56	-	-	-	-	SALEABLE		345650003															
											-	-	-	-	49	48	-	-	-	-	-	-	-	-	-	-	-	-	-	-	-				-	-	-												
											-	-	-	-	-	-	-	-	-	-	-	-	-	-	-	-	-	-	-	-	-				32	31	-	-	28	27	26	25	24	23	22	21	20	19	-
MX123 CONN ASSY 73 CKT GRV OPT9 KEY B/62	345669853	C-HSG-B9	G-CAP-9-P	TPA-B9	RS	LS	MAL	CPA	MSEAL	RSEAL	-	-	-	-	-	66	-	-	-	-	-	-	-	-	-	-	-	-	-	-	SALEABLE		345650003																
											-	-	-	-	-	-	-	-	-	-	-	-	-	-	-	-	-	-	-	-				-	-	-	-	-	-	-	-	-	-	-	-	-	-		
											-	-	-	-	-	-	-	-	-	-	-	-	-	-	-	-	-	-	-	-				-	-	-	-	-	-	-	-	-	-	-	-	-	-	-	-
MX123 CONN ASSY 73 CKT GRV OPT0 KEY B/61	345669863	C-HSG-B0	G-CAP-0-P	TPA-B0	RS	LS	MAL	CPA	MSEAL	RSEAL	-	-	-	-	-	66	-	-	-	-	-	-	-	-	-	-	-	-	-	SALEABLE		345650003																	
											-	-	-	-	-	-	-	-	-	-	-	-	-	-	-	-	-	-	-				-	-	-	-	-	-	-	-	-	-	-	-	-	-	-	-	-
											-	-	-	-	-	-	-	-	-	-	-	-	-	-	-	-	-	-	-				-	-	-	-	-	-	-	-	-	-	-	-	-	-	-	-	-
MX123 CONN ASSY 73 CKT BLK OPT0 KEY A/33	345669903	C-HSG-A0	G-CAP-0-P	TPA-A0	RS	LS	MAL	CPA	MSEAL	RSEAL	72	-	70	-	-	67	66	-	-	-	62	-	60	-	-	-	-	55	54	53	SALEABLE		345650003																
											-	51	-	-	-	48	-	46	45	44	43	42	-	40	39	-	-	-	-	35				-	-														
											-	-	-	-	-	-	-	-	-	-	-	-	-	-	-	-	-	-	-	-				-	-	-	-	-	-	-	-	-	-	-	-	-	-	-	-
MX123 CONN ASSY 73 CKT BLK OPT0 KEY A/41	345669913	C-HSG-A0	G-CAP-0-P	TPA-A0	RS	LS	MAL	CPA	MSEAL	RSEAL	-	-	70	69	-	-	-	-	-	63	62	61	60	-	58	57	56	55	54	53	SALEABLE		345650003																
											52	51	-	49	-	-	-	-	44	43	42	41	-	-	-	37	36	35	34	33																			
											-	-	-	-	-	-	-	-	-	-	-	-	-	-	-	-	-	-	-	-				-	-	-	-	-	-	-	-	-	-	-	-	-	-	-	-
MX123 CONN ASSY 73 CKT BLK OPT0 KEY A/41	345669923	C-HSG-A0	G-CAP-0-P	TPA-A0	RS	LS	MAL	CPA	MSEAL	RSEAL	-	-	70	69	68	-	-	65	64	63	-	-	-	59	58	-	56	-	-	53	SALEABLE		345650003																
											52	-	50	49	-	47	-	-	-	-	-	41	40	-	38	37	36	-	34	-																			
											-	-	-	-	-	-	-	-	-	-	-	-	-	-	-	-	-	-	-	-				-	-	-	-	-	-	-	-	-	-	-	-	-	-	-	-
MX123 CONN ASSY 73 CKT GRV OPT0 KEY B/51	345669933	C-HSG-B0	G-CAP-0-P	TPA-B0	RS	LS	MAL	CPA	MSEAL	RSEAL	72	71	70	-	68	67	66	-	-	63	62	-	-	59	-	57	-	-	-	53	SALEABLE		345650003																
											52	51	50	-	48	47	46	-	-	-	42	41	40	39	38	37	36	35	34	33																			
											-	-	-	-	-	-	-	-	-	-	-	-	-	-	-	-	-	-	-	-				-	-	-	-	-	-	-	-	-	-	-	-	-	-	-	-
MX123 CONN ASSY 73 CKT BLU OPT0 KEY C/38	345669943	C-HSG-C0	G-CAP-0-P	TPA-C0	RS	LS	MAL	CPA	MSEAL	RSEAL	72	-	70	-	68	67	66	-	-	63	62	-	-	59	-	57	-	-	-	53	SALEABLE		345650003																
											52	51	-	-	48	47	46	-	44	-	42	-	40	39	38	-	-	-	-	34				33															
											-	-	-	-	-	-	-	-	-	-	-	-	-	-	-	-	-	-	-	-				-	-	-	-	-	-	-	-	-	-	-	-	-	-	-	-
MX123 CONN ASSY 73 CKT BLK OPT0 KEY A/51	345669953	C-HSG-A0	G-CAP-0-P	TPA-A0	RS	LS	MAL	CPA	MSEAL	RSEAL	72	71	70	69	68	-	66	65	64	63	-	61	-	59	58	-	56	-	54	53	SALEABLE		345650003																
											52	-	50	49	-	47	-	-	-	-	42	41	40	-	38	37	36	-	34	33																			
											-	-	-	-	-	-	-	-	-	-	-	-	-	-	-	-	-	-	-	-				-	-	-	-	-	-	-	-	-	-	-	-	-	-	-	-
MX123 CONN ASSY 73 CKT GRV OPT0 KEY B/24	345669963	C-HSG-B0	G-CAP-0-P	TPA-B0	RS	LS	MAL	CPA	MSEAL	RSEAL	72	71	70	69	-	-	66	65	-	-	62	61	60	59	-	57	56	-	54	53	SALEABLE		345650003																
											52	51	50	49	48	47	-	-	44	-	42	41	40	39	-	37	36	-	34	33																			
											-	-	-	-	-	-	-	-	-	-	-	-	-	-	-	-	-	-	-	-				-	-	-	-	-	-	-	-	-	-	-	-	-	-	-	-

ASSEMBLY DESCRIPTION	ASSEMBLY PART NUMBER	CONNECTOR HOUSING	GROMMET CAP	TPA	RIGHT SLIDE	LEFT SLIDE	MATE ASSIST LEVER	CPA	MAT SEAL	RING SEAL	BLOCKED TERMINALS																				STATUS	COMMENTS	INTEGRAL COMPONENTS SOLD SEPARATELY			
											CAVITY WITH A NUMBER INDICATES BLOCKED TERMINAL POSITION CAVITY WITHOUT A NUMBER INDICATES OPEN TERMINAL POSITION																						DRESS COVER			
											72	71	70	69	-	-	66	65	-	-	62	61	60	59	-	57	56	55	54	53						
MX123 CONN ASSY 73 CKT GRY OPT0 KEY B/19	345669973	C-HSG-B0	G-CAP-0-P	TPA-B0	FS	LS	MAL	CPA	MSEAL	RSEAL	52	51	50	49	48	47	-	-	44	-	42	41	40	39	-	37	36	35	34	33	SALEABLE		345650003			

MX123 52/66/73/80-WAY RECEPTACLE ASSY SEALED PIN OUT SHEET



UNCHECKED cavity number(s) are OPEN																								
72	71	70	69	68	67	66	65	64	63	62	61	60	59	58	57	56	55	54	53					
<input checked="" type="checkbox"/>	<input checked="" type="checkbox"/>	<input checked="" type="checkbox"/>	<input type="checkbox"/>	<input type="checkbox"/>	<input type="checkbox"/>	<input checked="" type="checkbox"/>	<input type="checkbox"/>	<input type="checkbox"/>	<input checked="" type="checkbox"/>	<input checked="" type="checkbox"/>	<input checked="" type="checkbox"/>	<input checked="" type="checkbox"/>	<input checked="" type="checkbox"/>	<input type="checkbox"/>	<input checked="" type="checkbox"/>	<input checked="" type="checkbox"/>	<input checked="" type="checkbox"/>	<input checked="" type="checkbox"/>	<input checked="" type="checkbox"/>	<input checked="" type="checkbox"/>	<input checked="" type="checkbox"/>	<input checked="" type="checkbox"/>		
52	51	50	49	48	47	46	45	44	43	42	41	40	39	38	37	36	35	34	33					
<input checked="" type="checkbox"/>	<input checked="" type="checkbox"/>	<input checked="" type="checkbox"/>	<input checked="" type="checkbox"/>	<input checked="" type="checkbox"/>	<input checked="" type="checkbox"/>	<input checked="" type="checkbox"/>	<input type="checkbox"/>	<input type="checkbox"/>	<input checked="" type="checkbox"/>	<input checked="" type="checkbox"/>	<input checked="" type="checkbox"/>	<input checked="" type="checkbox"/>	<input checked="" type="checkbox"/>	<input checked="" type="checkbox"/>	<input checked="" type="checkbox"/>	<input checked="" type="checkbox"/>	<input checked="" type="checkbox"/>	<input checked="" type="checkbox"/>	<input checked="" type="checkbox"/>	<input checked="" type="checkbox"/>	<input checked="" type="checkbox"/>	<input checked="" type="checkbox"/>		
				32	31	30	29	28	27	26	25	24	23	22	21	20	19	18	17					
				<input type="checkbox"/>	<input checked="" type="checkbox"/>	<input type="checkbox"/>	<input type="checkbox"/>	<input type="checkbox"/>	<input checked="" type="checkbox"/>	<input checked="" type="checkbox"/>	<input checked="" type="checkbox"/>	<input checked="" type="checkbox"/>	<input checked="" type="checkbox"/>	<input checked="" type="checkbox"/>	<input checked="" type="checkbox"/>	<input checked="" type="checkbox"/>	<input checked="" type="checkbox"/>	<input checked="" type="checkbox"/>	<input checked="" type="checkbox"/>	<input checked="" type="checkbox"/>	<input checked="" type="checkbox"/>	<input checked="" type="checkbox"/>	<input checked="" type="checkbox"/>	
				73					16	15	14	13	12	11	10	9	8	7	6	5	4	3	2	1
				<input checked="" type="checkbox"/>					<input checked="" type="checkbox"/>	<input type="checkbox"/>	<input checked="" type="checkbox"/>	<input type="checkbox"/>	<input checked="" type="checkbox"/>	<input checked="" type="checkbox"/>	<input checked="" type="checkbox"/>	<input checked="" type="checkbox"/>	<input checked="" type="checkbox"/>	<input checked="" type="checkbox"/>	<input checked="" type="checkbox"/>	<input checked="" type="checkbox"/>	<input checked="" type="checkbox"/>	<input checked="" type="checkbox"/>	<input checked="" type="checkbox"/>	<input checked="" type="checkbox"/>

FOR ADDITIONAL INFORMATION SEE SD-34566-001

STATUS	GM PART #	HRNS CONN ASSY			TPA	GROMMET CAP																							
		MATERIAL/PART	WIRE DRESS OPTION	KEY OPTION	COLOR OPTION	NUMBERS INDICATE CAVITIES OPEN FOR CIRCUITS																							
		NUMBER		OPTION $\nabla$ Fp	OPTION $\nabla$ Fp																								
SALEABLE	12672860	34566-0103	0	A	BLACK																								
SALEABLE	12672862	34566-0203	0	B	ST GRY	72	71	70	69	68	67	66	65	64	63	62	61	60	59	58	57	56	55	54	53				
SALEABLE	12672864	34566-0303	0	C	BLUE	52	51	50	49	48	47	46	45	44	43	42	41	40	39	38	37	36	35	34	33				
TOOL DES. REL.	12615660	34566-0403	0	D	BROWN	73				32	31	30	29	28	27	26	25	24	23	22	21	20	19	18	17				
TOOL DES. REL.	12615661	34566-0503	0	E	GREEN	73				16	15	14	13	12	11	10	9	8	7	6	5	4	3	2	1				
SALEABLE	12672866	34566-0603	0	F	NATURAL																								
SALEABLE	12672872	34566-0703	0	G	BLUE																								
SALEABLE	12672870	34566-0803	0	H	ST GRY	80	79	78	77	76	75	74	73	72	71	70	69	68	67	66	65	64	63	62	61				
TOOL DES. REL.	12672868	34566-0903	0	J	BLACK	60	61	62	63	64	65	66	67	68	69	70	71	72	73	74	75	76	77	78	79				
TOOL DES. REL.	TBD	34566-1003	0	K	BROWN	40	39	38	37	36	35	34	33	32	31	30	29	28	27	26	25	24	23	22	21				
TOOL DES. REL.	TBD	34566-1103	0	L	GREEN	20	19	18	17	16	15	14	13	12	11	10	9	8	7	6	5	4	3	2	1				
TOOL DES. REL.	TBD	34566-1203	0	M	NATURAL																								
SALEABLE	12672861	34566-1303	9	A	BLACK																								
SALEABLE	12672863	34566-1403	9	B	ST GRY	72	71	70	69	68	67	66	65	64	63	62	61	60	59	58	57	56	55	54	53				
SALEABLE	12672865	34566-1503	9	C	BLUE	52	51	50	49	48	47	46	45	44	43	42	41	40	39	38	37	36	35	34	33				
TOOL DES. REL.	12615663	34566-1603	9	D	BROWN	73				32	31	30	29	28	27	26	25	24	23	22	21	20	19	18	17				
TOOL DES. REL.	12615664	34566-1703	9	E	GREEN	73				16	15	14	13	12	11	10	9	8	7	6	5	4	3	2	1				
SALEABLE	12672867	34566-1803	9	F	NATURAL																								
SALEABLE	12672873	34566-1903	9	G	BLUE																								
SALEABLE	12672871	34566-2003	9	H	ST GRY	80	79	78	77	76	75	74	73	72	71	70	69	68	67	66	65	64	63	62	61				
TOOL DES. REL.	12672869	34566-2103	9	J	BLACK	60	61	62	63	64	65	66	67	68	69	70	71	72	73	74	75	76	77	78	79				
TOOL DES. REL.	TBD	34566-2203	9	K	BROWN	40	39	38	37	36	35	34	33	32	31	30	29	28	27	26	25	24	23	22	21				
TOOL DES. REL.	TBD	34566-2303	9	L	GREEN	20	19	18	17	16	15	14	13	12	11	10	9	8	7	6	5	4	3	2	1				
TOOL DES. REL.	TBD	34566-2403	9	M	NATURAL																								
SALEABLE	12672856	34822-0013	0	A	BLACK	64	63	62	61	60	59	58	57	56	55	54	53	52	51	50	49	66							
						48	47	46	45	44	43	42	41	40	39	38	37	36	35	34	33								
SALEABLE	12672858	34822-0033	0	C	BLUE	65				32	31	30	29	28	27	26	25	24	23	22	21	20	19	18	17				
						65				16	15	14	13	12	11	10	9	8	7	6	5	4	3	2	1				
SALEABLE	12672857	34822-0023	9	A	BLACK	64	63	62	61	60	59	58	57	56	55	54	53	52	51	50	49	66							
						48	47	46	45	44	43	42	41	40	39	38	37	36	35	34	33								
SALEABLE	12672859	34822-0043	9	C	BLUE	65				32	31	30	29	28	27	26	25	24	23	22	21	20	19	18	17				
						65				16	15	14	13	12	11	10	9	8	7	6	5	4	3	2	1				

MX123 52/66/73/80-WAY RECEPTACLE ASSY SEALED PIN OUT SHEET

STATUS	GM PART #	HRNS CONN ASSY				TPA	GROMMET CAP																																																																																																						
		MATERIAL/PART	WIRE DRESS OPTION	KEY OPTION	COLOR OPTION	NUMBERS INDICATE CAVITIES OPEN FOR CIRCUITS																																																																																																							
		NUMBER		△ Fp		△ Fp	△ Fp																																																																																																						
TOOL DES. REL.	12672852	160094-0001	0	A	BLACK	<table border="1" style="width:100%; border-collapse: collapse;"> <tr> <td>52</td><td>14</td><td>13</td><td>12</td><td>11</td><td>10</td><td>9</td><td>8</td><td>7</td><td>6</td><td>5</td><td>4</td><td>3</td><td colspan="7"></td><td>2</td></tr> <tr> <td></td><td>26</td><td>25</td><td>24</td><td>23</td><td>22</td><td>21</td><td>20</td><td>19</td><td>18</td><td>17</td><td>16</td><td>15</td><td colspan="7"></td><td></td></tr> <tr> <td>51</td><td>38</td><td>37</td><td>36</td><td>35</td><td>34</td><td>33</td><td>32</td><td>31</td><td>30</td><td>29</td><td>28</td><td>27</td><td colspan="7"></td><td>1</td></tr> <tr> <td></td><td>50</td><td>49</td><td>48</td><td>47</td><td>46</td><td>45</td><td>44</td><td>43</td><td>42</td><td>41</td><td>40</td><td>39</td><td colspan="7"></td><td></td></tr> </table>																				52	14	13	12	11	10	9	8	7	6	5	4	3								2		26	25	24	23	22	21	20	19	18	17	16	15									51	38	37	36	35	34	33	32	31	30	29	28	27								1		50	49	48	47	46	45	44	43	42	41	40	39								
52	14	13	12	11	10																					9	8	7	6	5	4	3								2																																																																					
	26	25	24	23	22																					21	20	19	18	17	16	15																																																																													
51	38	37	36	35	34																					33	32	31	30	29	28	27								1																																																																					
	50	49	48	47	46																					45	44	43	42	41	40	39																																																																													
TOOL DES. REL.	N/A	160094-0002	0	B	ST GRY																																																																																																								
TOOL DES. REL.	12672854	160094-0003	0	C	BLUE																																																																																																								
TOOL DES. REL.	N/A	160094-0004	0	D	BROWN																																																																																																								
TOOL DES. REL.	N/A	160094-0005	0	E	GREEN																																																																																																								
TOOL DES. REL.	N/A	160094-0006	0	F	NATURAL																																																																																																								
TOOL DES. REL.	12672853	160094-0013	9	A	BLACK	<table border="1" style="width:100%; border-collapse: collapse;"> <tr> <td>52</td><td>14</td><td>13</td><td>12</td><td>11</td><td>10</td><td>9</td><td>8</td><td>7</td><td>6</td><td>5</td><td>4</td><td>3</td><td colspan="7"></td><td>2</td></tr> <tr> <td></td><td>26</td><td>25</td><td>24</td><td>23</td><td>22</td><td>21</td><td>20</td><td>19</td><td>18</td><td>17</td><td>16</td><td>15</td><td colspan="7"></td><td></td></tr> <tr> <td>51</td><td>38</td><td>37</td><td>36</td><td>35</td><td>34</td><td>33</td><td>32</td><td>31</td><td>30</td><td>29</td><td>28</td><td>27</td><td colspan="7"></td><td>1</td></tr> <tr> <td></td><td>50</td><td>49</td><td>48</td><td>47</td><td>46</td><td>45</td><td>44</td><td>43</td><td>42</td><td>41</td><td>40</td><td>39</td><td colspan="7"></td><td></td></tr> </table>																				52	14	13	12	11	10	9	8	7	6	5	4	3								2		26	25	24	23	22	21	20	19	18	17	16	15									51	38	37	36	35	34	33	32	31	30	29	28	27								1		50	49	48	47	46	45	44	43	42	41	40	39								
52	14	13	12	11	10																					9	8	7	6	5	4	3								2																																																																					
	26	25	24	23	22																					21	20	19	18	17	16	15																																																																													
51	38	37	36	35	34																					33	32	31	30	29	28	27								1																																																																					
	50	49	48	47	46																					45	44	43	42	41	40	39																																																																													
TOOL DES. REL.	N/A	160094-0014	9	B	ST GRY																																																																																																								
TOOL DES. REL.	12672855	160094-0015	9	C	BLUE																																																																																																								
TOOL DES. REL.	N/A	160094-0016	9	D	BROWN																																																																																																								
TOOL DES. REL.	N/A	160094-0017	9	E	GREEN																																																																																																								
TOOL DES. REL.	N/A	160094-0018	9	F	NATURAL																																																																																																								
NA	NA	NA	NA	NA	NA																																																																																																								
						73																																																																																																							
SALEABLE	NOT APPLICABLE	34566-2503	0	A	BLACK	72	71		69	68	67	66		64	63	62		59			56			53																																																																																					
								50		48		46		44	43	42		39			36	35		33																																																																																					
						73					32		30	29		27			23		20			17																																																																																					
											14	13	12	11		9	8			5	4	3	2	1																																																																																					
SALEABLE	NOT APPLICABLE	34566-2603	0	B	ST GRY				49	48	47			44				39		37		35	33																																																																																						
						73								29	28				23		21																																																																																								
																		7																																																																																											
SALEABLE	NOT APPLICABLE	34566-2703	0	B	ST GRY				49	48	47			44				39		37		35	33																																																																																						
						73									29	28				23		21																																																																																							
																		7																																																																																											
SALEABLE	TBD	34566-2803	0	H	ST GRY																																																																																																								
SALEABLE	NOT APPLICABLE	34566-2903	0	A	BLACK	72	71	70	69	68	67	66		64	63	62	61		59			55	54	53																																																																																					
						52	51		49	48				44	43	42	41		39			35	34	33																																																																																					
						73					32	31		29		27		25		23		19	18	17																																																																																					
											16		13	12	11		9	8	7	6	5	4	3	2	1																																																																																				
SALEABLE	NOT APPLICABLE	34566-3003	0	A	BLACK	72	71	70	69	68	67	66		64	63	62		60	59	58	57	56	55	54	53																																																																																				
						52	51	50	49	48	47	46		44	43	42	41	40	39	38	37	36	35	34	33																																																																																				
						73					32	31	30	29	28	27		25	24	23	22	21	20	19	18	17																																																																																			
											16	15	14	13	12	11		9	8	7	6	5	4	3	2	1																																																																																			
SALEABLE	NOT APPLICABLE	34566-3103	0	B	ST GRY				49	48		46				62		59		57		55	53																																																																																						
						73											42		39		37		35	33																																																																																					
																		23		21			18																																																																																						
											15						9	8	7		4	3																																																																																							
SALEABLE	NOT APPLICABLE	34566-3203	0	B	ST GRY			50	49	48		46					60	59	58	57	56	55		53																																																																																					
						73									29				39	38	37		35	34	33																																																																																				
											16	15	14						23	22	21		18																																																																																						
																		7	6	5	4	3																																																																																							
SALEABLE	NOT APPLICABLE	34566-3303	0	B	ST GRY			50	49	48		46						59	58	57	56	55		53																																																																																					
						73									29				39	38	37		35	34	33																																																																																				
																			23	22	21		18																																																																																						
											16	15	14					7	6	5	4	3																																																																																							
SALEABLE	NOT APPLICABLE	34566-3403				SEE 34566-3003																																																																																																							
SALEABLE	NOT APPLICABLE	34566-3503	0	A	BLACK	72	71		69	68	67	66		64	63	62		60	59																																																																																										
						52			49	48		46		44	43	42		40	39				35	33																																																																																					
						73					32				29		27			24	23				17																																																																																				
											14	13	12	11		9	8	7	6	5	4	3	2	1																																																																																					

MX123 52/66/73/80-WAY RECEPTACLE ASSY SEALED PIN OUT SHEET

STATUS	GM PART #	HRNS CONN ASSY			TPA	GROMMET CAP																						
		MATERIAL/PART	WIRE DRESS OPTION	KEY OPTION Fp		COLOR OPTION Fp	NUMBERS INDICATE CAVITIES OPEN FOR CIRCUITS																					
		NUMBER					Fp																					
SALEABLE	NOT APPLICABLE	34566-3603	0	B	ST GRY					68				64					59		57		55		53			
									49	48		46							39		37			35			33	
						73				32			29						23		21						18	
SALEABLE	NOT APPLICABLE	34566-3703	0	A	BLACK					68	67	66	65					59				55		53				
									49	48	47			44				39					35			33		
						73							29	28					23									
SALEABLE	NOT APPLICABLE	34566-3803	0	A	BLACK	72	71		69	68	67	66		64	63	62		59				56			53			
									50		48		46		44	43	42		39				36	35			33	
						73				32			30	29			27			23				20				17
SALEABLE	NOT APPLICABLE	34566-3903	0	B	ST GRY									65					59		57		55		53			
									49	48		46		44				39		37			35			33		
						73							29	28					24	23		21						
SALEABLE	NOT APPLICABLE	34566-4003	0	B	ST GRY						67	66		64	63			59		57		55		53				
									50	49	48				43			39		37			35			33		
						73				32			29			27			24	23		21					18	
SALEABLE	NOT APPLICABLE	34566-4103	0	A	BLACK	72	71		69	68	67	66		64	63	62		60	59					35		33		
						52			49	48		46	45	44	43	42		40	39									33
						73				32			29			27	26		24	23								
SALEABLE	NOT APPLICABLE	34566-4203	0	B	ST GRY									64				59		57		55		53				
									50	49	48		46					39		37			35			33		
						73				32			29					24	23		21						18	
SALEABLE	NOT APPLICABLE	34566-4303	0	A	BLACK				70	69	68	67		65	64	63		61	59	58	57	56						
									50	49	48	47					41			38	37	36			34	33		
						73				32	31	30	29	28	27			24	23			20	19	18				1
SALEABLE	NOT APPLICABLE	34566-4403	0	A	BLACK	72	71		70	69	68	67	66	65	64	63		61	59	58	57	56						
									50	49	48	47					41			38	37	36			34	33		
						73				32	31	30	29	28	27			24	23			20	19	18				
SALEABLE	NOT APPLICABLE	34566-4503	0	H	ST GRY		79	78	77	76	75	74	73	72	71	70	69	68		66	65	64	63		61			
						60	59	58	57	56				53			50						44	43			41	
						40	39	38	37		35	34	33	32			30	29		27	26			24	23	22	21	
SALEABLE	NOT APPLICABLE	34566-4603	0	H	ST GRY		79	78	77	76	75	74	73	72	71	70	69	68		66	65	64	63		61			
						60	59	58	57	56				53			50						44	43			41	
						40	39	38	37		35	34	33	32			30	29		27	26					22	21	
SALEABLE	NOT APPLICABLE	34566-4703	0	B	ST GRY						67	66	65	64					59	58	57		55		53			
									49	48	47			44				39	38	37			35			33		
						73							29						23	22	21							
SALEABLE	NOT APPLICABLE	34566-4803	0	A	BLACK	72	71		69	68	67	66		64	63	62	61		59						53			
										48				44		42	41		39					35			33	
						73				32			29			27		25		23								17
SALEABLE	NOT APPLICABLE	34566-4903	0	A	BLACK									65	64	63	62	61		59	58	57	56	55				
									50	49		47			44	43		41			38	37	36	35	34	33		
						73				32	31	30	29	28	27			24	23			20	19	18	17			
SALEABLE	NOT APPLICABLE	34566-5003	0	H	ST GRY		79	78	77	76	75	74	73	72	71	70	69	68		66	65	64	63		61			
						60	59	58	57	56				53	52		50						44	43			41	
						40	39	38	37		35	34	33	32			30	29		27	26					22	21	

**MX123 52/66/73/80-WAY RECEPTACLE ASSY SEALED PIN OUT SHEET**

STATUS	GM PART #	HRNS CONN ASSY			TPA	GROMMET CAP																							
		MATERIAL/PART	WIRE DRESS OPTION	KEY OPTION Fp	COLOR OPTION Fp	NUMBERS INDICATE CAVITIES OPEN FOR CIRCUITS																							
		NUMBER				Fp																							
SALEABLE	NOT APPLICABLE	34566-5103	0	B	ST GRY				49	48	67	66	65							59		57		55		53			
											47	46		44								39		37		35		33	
						73										29	28							23		21			
SALEABLE	NOT APPLICABLE	34566-5203	0	A	BLACK	72	71		69	68	67	66		64	63	62				59	58	57	56		54	53			
						52	51	50	49	48	47	46		44	43	42						39	38	37	36	35	34	33	
						73						32	31	30	29		27				24	23	22	21	20	19		17	
SALEABLE	NOT APPLICABLE	34566-5303	0	B	ST GRY								65	64						59		57		55	53				
								50	49	48		46										39		37		35	33		
						73																		23		21			
SALEABLE	NOT APPLICABLE	34566-5403	0	B	ST GRY								65	64						59	58	57	56	55	53				
								50	49	48		46	45									39	38	37		35	34	33	
						73												29							23	22	21		18
SALEABLE	NOT APPLICABLE	34566-5503	0	A	BLACK	72	71		69	68	67	66		64	63	62			60	59					35	33			
						52			49	48		46		44	43	42		40	39										
						73						32				29		27	26		24	23							
SALEABLE	NOT APPLICABLE	34566-5603				SEE 34566-2503																							
SALEABLE	NOT APPLICABLE	34566-5703	0	B	ST GRY					68										59		57		55		53			
									49	48		46										39		37		35		33	
						73												29										18	17
SALEABLE	NOT APPLICABLE	34566-5803	0	B	ST GRY								65							59		57		55		53			
									49	48	47											39		37		35		33	
						73												29								23		21	
SALEABLE	NOT APPLICABLE	34566-5903	0	A	BLACK	72	71		69	68	67	66		64	63	62				59						53			
										48				44	43	42						39					35	33	
						73						32				29		27							23				17
SALEABLE	NOT APPLICABLE	34566-6003	0	B	ST GRY						67	66	65							59		57		55		53			
									49	48	47											39		37		35		33	
						73												29									23		21
SALEABLE	NOT APPLICABLE	34566-6103	0	B	ST GRY						67	66	65			62				59		57		55		53			
									49	48	47											39		37		35		33	
						73												29			26				23		21		
SALEABLE	NOT APPLICABLE	34566-6203	0	A	BLACK		71	70	69	68			65	64	63		61			59		57	56						
						52	51	50	49		47						41					38	37	36		34	33		
						73						32	31	30	29	28	27			24	23					20	19	18	
SALEABLE	NOT APPLICABLE	34566-6303	0	A	BLACK								65	64	63		61			59		57	56						
						52	51	50	49		47						41					38	37	36		34	33		
						73						32	31	30	29	28	27			24	23					20	19	18	
SALEABLE	NOT APPLICABLE	34566-6403	0	A	BLACK						67	66	65			62				59		57		55		53			
									49	48	47											39		37		35		33	
						73												29		26				23		21			
SALEABLE	NOT APPLICABLE	34566-6203	0	A	BLACK		71	70	69	68			65	64	63		61			59		57	56						
						52	51	50	49		47						41					38	37	36		34	33		
						73						32	31	30	29	28	27			24	23					20	19	18	
SALEABLE	NOT APPLICABLE	34566-6303	0	A	BLACK								65	64	63		61			59		57	56						
						52			49	48	47						41					38	37	36		34	33		
						73						32	31	30	29	28	27			24	23					20	19	18	
SALEABLE	NOT APPLICABLE	34566-6403	0	A	BLACK		71		69	68			65	64	63		61			59	58		56						
						52			49	48	47						41					38	37	36		34	33		
						73						32	31	30	29	28	27			24	23					20	19	18	
SALEABLE	NOT APPLICABLE	34566-6503	0	A	BLACK						67	66	65			62				59		57		55		53			
									49	48	47											39		37		35		33	
						73												29		26						23		21	
SALEABLE	NOT APPLICABLE	34566-6503	0	A	BLACK		71		69	68			65	64	63		61			59	58		56						
						52			49	48	47						41					38	37	36		34	33		
						73						32	31	30	29	28	27			24	23					20	19	18	

MX123 52/66/73/80-WAY RECEPTACLE ASSY SEALED PIN OUT SHEET

STATUS	GM PART #	HRNS CONN ASSY			TPA	GROMMET CAP																					
		MATERIAL/PART	WIRE DRESS OPTION	KEY OPTION ▽ Fp	COLOR OPTION ▽ Fp	NUMBERS INDICATE CAVITIES OPEN FOR CIRCUITS ▽ Fp																					
		NUMBER																									
SALEABLE	NOT APPLICABLE	34566-6603	0	H	ST GRAY	60	79	78	77	76	75	74	73	72	71	70	69	68	66	65	64	63	61				
						40	39	38	37		35	34	33	32		30	29		27	26			44	43	22	21	
						20	19	18	17	16				13	12				8		6	5			3	2	
SALEABLE	NOT APPLICABLE	34566-6703	0	H	ST GRAY		79	78	77	76	75	74	73	72	71	70	69	68		66	65	64	63	61			
						60	59	58	57	56				53			50						44	43		41	
						40	39	38	37		35	34	33	32		30	29			27	26				22	21	
SALEABLE	NOT APPLICABLE	34566-6803	0	B	ST GRAY																	53					
								49	48		46		44						59		57		55		53		
													29	28						39		37		35		33	
SALEABLE	NOT APPLICABLE	34566-6903	0	B	ST GRAY																	53					
								49	48		46								59		57		55		53		
													29							39		37		35		33	
SALEABLE	NOT APPLICABLE	34566-7003	0	B	ST GRAY																	53					
								50	49	48	47								59		57	56	55		53		
													29							39		37	36	35		33	
SALEABLE	NOT APPLICABLE	34566-7103	0	A	BLACK																	53					
							72	71	70	69	68	67	66		64	63	62		60	59				55	54	53	
							52			49	48				44	43	42		40	39					35	34	33
SALEABLE	NOT APPLICABLE	34566-7203	0	B	ST GRAY																	53					
							72	71	70	69	68	67	66	65	64	63	62		60	59					55	54	53
							52			49	48				44	43	42		40	39					35	34	33
SALEABLE	NOT APPLICABLE	34566-7303	0	B	ST GRAY																	53					
									69	68		66							59					55	54	53	
									49	48		46		44						39		37		35		33	
SALEABLE	NOT APPLICABLE	34566-7403	0	B	ST GRAY																	53					
									69	68		66							59					55	54	53	
									49	48		46		44						39		37		35		33	
SALEABLE	NOT APPLICABLE	34566-7503	0	A	BLACK																	53					
							72	71	70	69	68	67	66		64	63	62		60	59	58	57	56	55	54	53	
							52	51	50	49	48	47	46		44	43	42		40	39	38	37	36	35	34	33	
SALEABLE	NOT APPLICABLE	34566-7603	0	B	ST GRAY																	53					
									69	68		66							59					55	54	53	
									49	48		46		44						39		37		35		33	
SALEABLE	NOT APPLICABLE	34566-7703	0	A	BLACK																	53					
							72	71	70	69	68	67	66		64	63	62		60	59					55	54	53
							52			49	48				44	43	42		40	39					35	34	33
SALEABLE	NOT APPLICABLE	34566-7803	0	A	BLACK																	53					
							72	71	70		68		66		64	63	62	61	60	59					55	54	53
							52			49	48		46		44	43	42		40	39					35	34	33
SALEABLE	NOT APPLICABLE	34566-7903	0	B	ST GRAY																	53					
																									55	54	53
													29	28						39		37		35		33	
SALEABLE	NOT APPLICABLE	34566-8003	0	A	BLACK																	53					
							72	71	70		68		66		64	63	62	61	60	59	58		56		55	54	53
							52		50	49	48	47							41		38	37	36		34	33	

MX123 52/66/73/80-WAY RECEPTACLE ASSY SEALED PIN OUT SHEET

STATUS	GM PART #	HRNS CONN ASSY			TPA	GROMMET CAP																						
		MATERIAL/PART	WIRE DRESS OPTION	KEY OPTION Fp		COLOR OPTION Fp	NUMBERS INDICATE CAVITIES OPEN FOR CIRCUITS																					
		NUMBER					Fp																					
SALEABLE	NOT APPLICABLE	34566-8103	0	H	ST GRY			78							72	71	70	69	68		66	65	64	63		61		
						60	59	58	57	56			53	52		50		29		27	26		24		22	21		
						40			37		35	34	33	32		30					8		6	5		3	2	
SALEABLE	NOT APPLICABLE	34566-8203	0	A	BLACK			70			67	66							58		56	55	54					
										47			44	43	42	41		39		37	36		34					
						73				31	30			27		25	24			21	20	19	18					
SALEABLE	NOT APPLICABLE	34566-8303	0	A	BLACK	72	71		69	68	67	66		64	63	62			59	58	57	56		54	53			
						52	51	50	49	48	47	46		44	43	42			39	38	37	36	35	34	33			
						73				32	31	30	29		27			24	23	22	21	20	19		17			
SALEABLE	NOT APPLICABLE	34566-8403	0	B	ST GRY								65	64					59		57		55		53			
								50	49	48		46							39		37		35		33			
						73				32			29					24	23		21							
SALEABLE	NOT APPLICABLE	34566-8503	0	B	ST GRY								65	64					59		57		55		53			
										48		46						39		37		35		33				
						73				32			29					24	23		21							
SALEABLE	NOT APPLICABLE	34566-8603	0	A	BLACK				69	68		66		64					59		57		55		53			
									49	48		46		44					39	38	37		35		33			
						73						29	28					23		21						18	17	
SALEABLE	NOT APPLICABLE	34566-8703	0	B	ST GRY				69	68		66		64					59		57		55		53			
								50	49	48	47		44					39		37		35		33				
						73						29	28					23		21								
SALEABLE	NOT APPLICABLE	34566-8803	0	B	ST GRY					68	67	66	65					59	58	57				54	53			
							51	50	49	48		46	45		43	42		40	39	38	37							
						73				32	31	30				26		24	23	22		20						
SALEABLE	NOT APPLICABLE	34566-8903	0	H	ST GRY			78							71	70	69	68	67	66	65	64	63		61			
								58	57	56			53	52		51		50		29		27	26		24		22	21
						40			37		35	34	33	32		30				8		6	5		3	2		
SALEABLE	NOT APPLICABLE	34566-9003	0	B	ST GRY				69	68		66		64					59		57		55		53			
									49	48		46		44					39		37		35		33			
						73						29	28					23		21						18		
SALEABLE	NOT APPLICABLE	34566-9103	0	A	BLACK					68			65		63		61		59	58		56			53			
						52	51	50			47						41			38	37	36	35	34	33			
						73				32	31	30	29	28	27		25	24	23	22	21	20	19	18	17			
SALEABLE	NOT APPLICABLE	34566-9203	0	A	BLACK	72	71	70	69	68	67	66		64	63	62		60	59				55	54	53			
						52			49	48				44	43	42		40	39	38				35	34	33		
						73						30	29	28	27			24	23		19	18	17					
SALEABLE	NOT APPLICABLE	34566-9303	0	A	BLACK														59	58	57	56	55	54	53			
								50	49	48	47	46		44	43	42			39	38	37	36	35	34	33			
						73				32	31	30	29		27			24	23	22	21	20	19		17			
SALEABLE	NOT APPLICABLE	34566-9403	0	B	ST GRY					68	67	66	65			43	42	41	40	39	38	37		35		33		
								51	50	49	48		46	45														
						73				32	31	30				26		24	23	22		20						
SALEABLE	NOT APPLICABLE	34566-9503	0	A	BLACK																							
						72	71	70	69	68			65	64	63		61		59	58	57	56						
						52	51		49		47							41			38	37	36		34	33		
73				32	31	30	29	28	27			24	23			20	19	18	17									



MX123 52/66/73/80-WAY RECEPTACLE ASSY SEALED PIN OUT SHEET

STATUS	GM PART #	HRNS CONN ASSY			TPA	GROMMET CAP																					
		MATERIAL/PART	WIRE DRESS OPTION	KEY OPTION Fp	COLOR OPTION Fp	NUMBERS INDICATE CAVITIES OPEN FOR CIRCUITS																					
		NUMBER				Fp																					
SALEABLE	NOT APPLICABLE	34566-9603	0	A	BLACK	52	71	70	69	68		66	65	64	63		61		59	58	57	56					
								50	49		47							41				38	37	36	35	34	33
						73			32	31	30	29	28	27				24	23					20	19	18	17
SALEABLE	NOT APPLICABLE	34566-9703	0	A	BLACK	72	71	70	69	68			65	64	63		61		59		57	56					
						52	51	50	49		47						41				38	37	36		34	33	
						73			32	31	30	29	28	27				24	23					20	19	18	
SALEABLE	NOT APPLICABLE	34566-9803	0	A	BLACK	72	71	70	69	68			65	64	63		61		59		57	56					
						52	51	50	49		47						41				38	37	36		34	33	
						73			32	31	30	29	28	27				24	23					20	19	18	
SALEABLE	NOT APPLICABLE	34566-9903	0	A	BLACK	72	71	70	69	68			65	64	63		61		59	58	57	56					
						52		50	49		47						41				38	37	36		34	33	
						73			32	31	30	29	28	27				24	23					20	19	18	17
SALEABLE	NOT APPLICABLE	34566-1013	0	A	BLACK	72	71	70	69	68			65	64	63		61		59	58	57	56					
						52		50	49		47						41				38	37	36		34	33	
						73			32	31	30	29	28	27				24	23					20	19	18	17
SALEABLE	NOT APPLICABLE	34566-1023	0	A	BLACK	72	71	70	69	68			65	64	63		61		59	58	57	56					
						52		50	49		47						41				38	37	36		34	33	
						73			32	31	30	29	28	27				24	23					20	19	18	17
SALEABLE	NOT APPLICABLE	34566-1033	0	A	BLACK	72	71	70	69	68			65	64	63		61		59	58	57	56					
						52		50	49		47						41				38	37	36		34	33	
						73			32	31	30	29	28	27				24	23					20	19	18	17
SALEABLE	NOT APPLICABLE	34566-1043	0	B	ST GRAY	72	71	70	69	68			65	64	63		61		59	58	57	56					
						52		50	49		47						41	40	39	38	37	36	35		34	33	
						73			32	31	30						24	23	22				20				
SALEABLE	NOT APPLICABLE	34566-1053	0	H	ST GRAY	72	71	70	69	68			65	64	63		61		59	58	57	56					
						60	59	58	57	56			53	52		50								44	43		41
						40	39	38	37		35	34	33	32		30	29		27	26							22
SALEABLE	NOT APPLICABLE	34566-1063	0	B	ST GRAY	72	71	70	69	68			65	64	63		61		59	58	57	56					
						52		50	49		47						41	40	39	38	37	36	35		34	33	
						73			32	31	30						24	23	22				20				
SALEABLE	NOT APPLICABLE	34566-1073	0	A	BLACK	72	71	70	69	68			65	64	63		61		59	58	57	56					
						52		50	49		47						41				38	37	36		34	33	
						73			32	31	30	29	28	27	26		24	23					20	19	18		
SALEABLE	NOT APPLICABLE	34566-1083	0	B	ST GRAY	72	71	70	69	68			65	64	63		61		59	58	57	56					
						52		50	49		47						41	40	39	38	37	36	35		34	33	
						73			32	31	30						24	23	22				20				
SALEABLE	NOT APPLICABLE	34566-1093	0	A	BLACK	72	71	70	69	68			65	64	63		61		59	58	57	56					
						52		50	49		47						41				38	37	36		34	33	
						73			32	31	30						24	23	22				20	19	18		
SALEABLE	NOT APPLICABLE	34566-1123	0	H	ST GRAY	72	71	70	69	68			65	64	63		61		59	58	57	56					
						60	59	58	57	56			53	52		50								44	43		41
						40	39	38	37		35	34	33	32		30	29		27	26							22
SALEABLE	NOT APPLICABLE	34566-1133	0	A	BLACK	72	71	70	69	68			65	64	63		61		59	58	57	56					
						52		50	49		47						41				38	37	36		34	33	
						73			32	31	30						24	23	22				20	19	18		

MX123 52/66/73/80-WAY RECEPTACLE ASSY SEALED PIN OUT SHEET

STATUS	GM PART #	HRNS CONN ASSY			TPA	GROMMET CAP																							
		MATERIAL/PART	WIRE DRESS OPTION	KEY OPTION Fp	COLOR OPTION Fp	NUMBERS INDICATE CAVITIES OPEN FOR CIRCUITS																							
		NUMBER				Fp																							
SALEABLE	NOT APPLICABLE	34566-1143	0	A	BLACK	52		50		68			65		63		61		59	58		56			53				
										47												38	37		36	35		34	33
						73			32	31	30	29	28	27		25	24	23	22	21	20	19	18	17				1	
SALEABLE	NOT APPLICABLE	34566-1153	0	A	BLACK			70				67	66	65						58	57		55						
								49				47			44	43	42	41		39		37							
						73			32		30			27		25	24	23		21	20	19	18					1	
SALEABLE	NOT APPLICABLE	34566-1163	0	H	ST GRAY			78						72	71	70	69	68		66	65	64	63		61				
						60	59	58	57	56			53	52		50								44	43		41		
						40			37		35	34		32		30	29		27	26							22	21	
SALEABLE	NOT APPLICABLE	34566-1173	0	A	BLACK	20	19	18	17	16			13	12				8		6	5		3	2					
						72	71		69	68			65	64	63	62	61	60	59	58		56		54					
						52		50	49	48	47		45			42	41		38	37	36		34	33					
SALEABLE	NOT APPLICABLE	34566-1183	0	B	ST GRAY	73			32	31	30	29	28	27	26		24	23		20	19	18	17						
SALEABLE	NOT APPLICABLE	34566-1193	0	A	BLACK				49	48	47			44		42				39		37		35		33			
						73							29	28					23		21								
SALEABLE	NOT APPLICABLE	34566-1213	0	A	BLACK	72	71		69	68	67	66		64	63	62		60	59						54	53			
						52			49	48		46		44	43	42			39								34	33	
						73			32			29		27				23										17	
SALEABLE	NOT APPLICABLE	34566-1223	0	B	ST GRAY	72	71		69	68	67	66		64	63	62		59							54	53			
						52			48		46		44	43	42			39									34	33	
						73			32			29		27				23										17	
SALEABLE	NOT APPLICABLE	34566-1233	0	B	ST GRAY							65			62			59		57		55		53					
									48		46			42			39		37		35								
						73						29		26			23		21										
SALEABLE	NOT APPLICABLE	34566-1243	0	B	ST GRAY												59		57		55		53						
								50		48		46					39		37		35								
						73						29					23		21								17		
SALEABLE	NOT APPLICABLE	34566-1253	9	B	ST GRAY							65					60	59		57		55		53					
									49	48		46					40	39		37		35							
						73											24	23		21							2		
SALEABLE	NOT APPLICABLE	34566-1263	9	A	BLACK	NUMBERS IN BOLD MUST USE SAE WIRE MEETING SAE J1128, WIRE SIZE (NO.20) OR (NO.18 MAX. O.D. OF 2.06 MM) PER G.M. DRAWING NUMBER 12582682.																							
						72	71		69	68	67	66		64	63	62		59				56				53			
								50		48		46		44	43	42			39				36	35				33	
SALEABLE	NOT APPLICABLE	34566-1273	0	A	BLACK	73			32		30	29		27		24	23		20				17						
SALEABLE	NOT APPLICABLE	34566-1283	0	A	BLACK			70	69	68			65	64	63		61		59	58	57	56			54				
						52		50	49	48	47					41		38	37	36		34	33						
						73			32	31	30	29	28	27		24	23		20	19	18								

MX123 52/66/73/80-WAY RECEPTACLE ASSY SEALED PIN OUT SHEET

STATUS	GM PART #	HRNS CONN ASSY			TPA	GROMMET CAP																					
		MATERIAL/PART	WIRE DRESS OPTION	KEY OPTION Fp	COLOR OPTION Fp	NUMBERS INDICATE CAVITIES OPEN FOR CIRCUITS																					
		NUMBER				Fp																					
SALEABLE	NOT APPLICABLE	34566-1293	0	A	BLACK	52		50		68			65		63		61		59	58		56			34	33	
						73				32	31	30	29	28	27			24	23					20	19	18	17
						73				16				13	12	11	10	9									
SALEABLE	NOT APPLICABLE	34566-1313	0	H	ST GRAY	80		78						72	71	70	69	68		66	65	64	63		61		
								58	57	56	55	54	53									46		44	43	42	
						40			37		35				32		30	29		27	26						
SALEABLE	NOT APPLICABLE	34566-1323	0	A	BLACK	72	71	70	69	68	67	66	65	64	63	62		60	59	58	57	56	55	54	53		
						52	51	50	49	48	47	46	45	44	43	42	41	40	39	38	37	36	35	34	33		
						73				32	31	30	29	28	27			25	24	23	22	21	20	19	18	17	
SALEABLE	NOT APPLICABLE	34566-1333	0	A	BLACK			70	69	68			65	64				59	58		56						
						52		50	49		47					41					38	37	36			34	
						73				32	31	30	29	28	27					23				20	19	18	17
SALEABLE	NOT APPLICABLE	34566-1343	0	A	BLACK				69				65	64	63				59	58	57	56					
								50	49	48	47							41				38	37	36			34
						73				32	31	30	29	28	27					23				20	19	18	17
SALEABLE	NOT APPLICABLE	34566-1353	0	H	ST GRAY		79	78	77	76	75	74	73	72	71	70	69	68		66	65	64	63		61		
						60	59	58	57	56			53				50							44	43		41
						40	39	38	37		35	34			32		30	29		27	26						22
SALEABLE	NOT APPLICABLE	34566-1363	0	A	BLACK	72	71		69	68	67	66		64	63	62			59							53	
										48		46		44	43	42				39							33
						73				32			29		27			24	23								
SALEABLE	NOT APPLICABLE	34566-1373	0	B	ST GRAY								66	65			62		59		57		55		53		
										48		46				42			39		37		35				33
						73							29			26			23		21						
SALEABLE	NOT APPLICABLE	34566-1383	0	B	ST GRAY				49	48	47	46						59	58	57		55			53		
																			39	38	37		35				33
						73							29						23	22	21						
SALEABLE	NOT APPLICABLE	34566-1393	0	A	BLACK			70			67	66				61			58	57		55	54				
										47		45	44	43	42	41		39		37						34	
						73				32		30			27		25	24			21	20	19	18			
SALEABLE	NOT APPLICABLE	34566-1423	0	B	ST GRAY					68	67	66	65			61	60	59	58	57				54	53		
							51	50	49	48	47	46	45		43	42	41	40	39	38	37		35	34	33		
						73				32	31	30				26		24	23	22	21	20					
SALEABLE	NOT APPLICABLE	34566-1433	0	B	ST GRAY								66		64				59		57		55		53		
									49	48		46							39		37		35				33
						73				32			29						23		21					18	17
SALEABLE	NOT APPLICABLE	34566-1443	0	B	ST GRAY				69	68		66						59		57		55		53			
									49	48		46							39		37		35				33
						73							29						23		21						
SALEABLE	NOT APPLICABLE	34566-1453	0	B	ST GRAY				49	48	47			66	65	64		62		59		57		55		53	
													44		42				39		37		35				33
						73							29	28		26			23		21						
SALEABLE	NOT APPLICABLE	34566-1463	0	A	BLACK				69	68			65	64	63	62	61	60	59	58		56			34	33	
						52		50	49	48	47		45				41			38	37	36					
						73				32	31	30	29	28	27			24	23					20	19	18	17

MX123 52/66/73/80-WAY RECEPTACLE ASSY SEALED PIN OUT SHEET

STATUS	GM PART #	HRNS CONN ASSY			TPA	GROMMET CAP																					
		MATERIAL/PART	WIRE DRESS OPTION	KEY OPTION Fp	COLOR OPTION Fp	NUMBERS INDICATE CAVITIES OPEN FOR CIRCUITS																					
		NUMBER				Fp																					
SALEABLE	NOT APPLICABLE	34566-1473	0	A	BLACK	72	71		69	68	67	66		64	63	62			59					54	53		
						52			49	48		46		44	43	42			39							34	33
						73						32			29		27			24	23						
SALEABLE	NOT APPLICABLE	34566-1483	0	A	BLACK	72	71		69	68				65	64	63		61		59	58		56				
						52		50	49		47						41			38	37	36			34	33	
						73				32	31	30	29	28	27			24	23			20	19	18	17		
SALEABLE	NOT APPLICABLE	34566-1493	0	B	ST GRAY					68								59	58	57		55		53			
									49	48		46							39	38	37		35			33	
						73							29						23	22	21					18	17
SALEABLE	NOT APPLICABLE	34566-1513	0	B	ST GRAY								65					59		57		55		53			
									49	48		46						39		37		35				33	
						73							29						23		21						17
SALEABLE	NOT APPLICABLE	34566-1523	0	A	BLACK			70	69	68			65	64				59	58		56		54				
						52		50	49		47					42	41			38	37	36			34		
						73				32	31	30	29	28	27	26			23			20	19	18	17		
SALEABLE	NOT APPLICABLE	34566-1533	0	A	BLACK	72	71	70	69	68							59	58	57	56							
						52	51	50	49		47							41			38	37	36			34	33
						73				32	31	30	29	28	27			24	23					20	19	18	17
SALEABLE	NOT APPLICABLE	34566-1543	0	B	ST GRAY				69	68							59		57		55		53				
									49	48		46						39		37		35				33	
						73							29						23		21						
SALEABLE	12582677	34566-1553	0	A	BLACK																						
						73																					
TOOL DESIGN SALEABLE	NOT APPLICABLE	34566-1563	9	A	BLACK																						
						73																					
TOOL DESIGN SALEABLE	NOT APPLICABLE	34566-1573	9	H	ST GRAY																						
						73																					
SALEABLE	NOT APPLICABLE	34566-1583	0	A	BLACK			70			67	66	65				61		58	57		55	54				
									49		47		45	44	43	42	41		39		37				34		
						73				32		30			27		25	24			21	20	19	18	17		
SALEABLE	NOT APPLICABLE	34566-1593	0	B	ST GRAY					67		65				61	60	59	58	57		54	53				
							51	50	49	48	47	46	45		43	42		40	39		37			34	33		
						73				32	31	30				26		24	23	22	21	20					
SALEABLE	NOT APPLICABLE	34566-1613	0	H	ST GRAY		79	78	77	76	75	74	73	72	71	70	69	68		66	65	64	63		61		
							60	59	58	57	56			53			50							44	43		41
							40	39	38	37		35	34	33	32		30	29		27	26			24	23	22	21
SALEABLE	NOT APPLICABLE	34566-1623	0	B	ST GRAY							66	65			62		59		57		55		53			
										48	47				42			39		37		35				33	
						73							29			26			23		21						17
SALEABLE	NOT APPLICABLE	34566-1633	0	B	ST GRAY				69	68							59		57		55		53				
								50		48	47							39		37		35				33	
						73							29						23		21						17

MX123 52/66/73/80-WAY RECEPTACLE ASSY SEALED PIN OUT SHEET

STATUS	GM PART #	HRNS CONN ASSY			TPA	GROMMET CAP																					
		MATERIAL/PART	WIRE DRESS OPTION	KEY OPTION Fp	COLOR OPTION Fp	NUMBERS INDICATE CAVITIES OPEN FOR CIRCUITS																					
		NUMBER				Fp																					
SALEABLE	NOT APPLICABLE	34566-1643	0	B	ST GRY				69	68		66							59		57		55		53		
								50		48		46							39		37		35		33		
						73						29						23		21							17
SALEABLE	NOT APPLICABLE	34566-1653	0	B	ST GRY							66						59		57		55		53			
								50		48		46						39		37		35		33			
						73						29						23		21							17
SALEABLE	NOT APPLICABLE	34566-1663	0	B	ST GRY							66						59		57		55		53			
								50		48		46						39		37		35		33			
						73						29						23		21							17
SALEABLE	NOT APPLICABLE	34566-1673	0	A	BLACK	72	71	70	69	68	67	66	65	64	63	62		60	59				55	54	53		
						52			49	48			45	44	43	42	41	40	39						35	34	33
						73						29			27		25	24	23							19	18
SALEABLE	NOT APPLICABLE	34566-1683	0	B	ST GRY						67	66			63			59	58	57	56	55		53			
								50	49	48					43				39	38	37	36	35		33		
						73						29			27				23	22	21						
SALEABLE	NOT APPLICABLE	34566-1693	0	B	ST GRY							66		64				59		57		55		53			
								49	48		46							39		37		35		33			
						73						29						23		21							17
SALEABLE	NOT APPLICABLE	34566-1713	0	B	ST GRY		71	70		68		66	65	64	63		60	59	58	57	56	55	54	53			
							51	50	49	48		46	45		43		41	40	39	38	37	36	35		33		
						73						32	31	30				24	23	22		20	19				
SALEABLE	NOT APPLICABLE	34566-1723	0	B	ST GRY																						
							71	70		68		66	65				60	59	58	57					54	53	
							51	50	49	48		46	45		43		41	40	39	38	37	36	35		33		
SALEABLE	NOT APPLICABLE	34566-1733	0	A	BLACK			70		68	67	66	65						58	57		55					
								49		47			44	43	42	41		39		37		35					
						73						32		30			27		25	24		21	20	19	18	17	
SALEABLE	NOT APPLICABLE	34566-1743	0	A	BLACK			70		67	66	65						58	57		55						
								49		47			44	43	42	41		39		37		35					
						73						32		30			27		25	24		21	20	19	18	17	
SALEABLE	NOT APPLICABLE	34566-1753	0	A	BLACK			70		67	66	65						58	57		55						
								49		47			44	43	42	41		39		37		35					
						73						32				27		25	24		21	20	19	18	17		
SALEABLE	NOT APPLICABLE	34566-1763	0	B	ST GRY						67		65			61	60	59	58	57			54	53			
							51	50	49	48	47	46	45		43		40	39		37				34	33		
						73						32	31	30			26		24	23	22	21	20				
SALEABLE	NOT APPLICABLE	34566-1773	0	C	BLUE																						
								70		67	66	65															
						73						15	14				10	9			6	5	4				
SALEABLE	NOT APPLICABLE	34566-1783	0	C	BLUE	72		70			67	66			63	62		59		57				53			
						52	51					46		44		42		40	39						34	33	
						73						30				26	25			22	21	20					
SALEABLE	NOT APPLICABLE	34566-1793	0	A	BLACK				69						63	62	61		58	57	56	55	54	53			
						52	51		49				44	43	42	41				37	36	35	34	33			
						73						32			29	28	27	26							19	18	

MX123 52/66/73/80-WAY RECEPTACLE ASSY SEALED PIN OUT SHEET

STATUS	GM PART #	HRNS CONN ASSY			TPA	GROMMET CAP																					
		MATERIAL/PART	WIRE DRESS OPTION	KEY OPTION Fp	COLOR OPTION Fp	NUMBERS INDICATE CAVITIES OPEN FOR CIRCUITS																					
		NUMBER				Fp																					
SALEABLE	NOT APPLICABLE	34566-1813	0	B	ST GRY	72	71	70		68	67	66				62	61	60	59	58	57	56	55	54	53		
						52	51	50		48	47	46				42	41	40	39	38	37	36	35	34	33		
						73				32	31	30	29	28	27	26	25	24	23								
SALEABLE	NOT APPLICABLE	34566-1823	0	A	BLACK	72	71	70	69	68		66	65	64			61		59	58		56		54	53		
						52		50	49		47					42	41			38	37	36		34	33		
						73				32	31	30	29	28	27	26		24	23	22	21	20	19	18	17		
SALEABLE	NOT APPLICABLE	34566-1833	0	A	BLACK					68		65		63		61		59	58		56						
						52		50			47					41			38	37	36		34	33			
						73				32	31	30	29	28	27		25	24	23			20	19	18	17		
SALEABLE	NOT APPLICABLE	34566-1843	0	A	BLACK					68		65		63		61		59	58		56						
						52		50			47					41			38	37	36		34	33			
						73				32	31	30	29	28	27		25	24	23			20	19	18	17		
SALEABLE	NOT APPLICABLE	34566-1853	0	A	BLACK			70	69	68	67		65		63		61	60			57	56	55	54	53		
						52		50	49	48	47			44	43		41	40			37	36	35	34	33		
						73						30	29	28			25	24			21	20	19	18	17		
SALEABLE	NOT APPLICABLE	34566-1863	0	B	ST GRY					68	67		66	65	64	63											
												46	45		43												
						73				32		30	29	28	27												
SALEABLE	NOT APPLICABLE	34566-1873	0	C	BLUE	72		70			67	66			63	62			59		57				53		
						52	51					46		44		42		40	39							34	33
						73				32		30			27	26	25			22	21	20					
SALEABLE	NOT APPLICABLE	34566-1883	0	A	BLACK			70		68	67	66	65						58	57		55					
									49		47			44	43	42	41	40	39		37		35				
						73				32		30			27		25	24			21	20	19	18	17		
SALEABLE	NOT APPLICABLE	34566-1893	0	C	BLUE			70				66			63			59		57					53		
						52	51					46		44		42		40	39							34	33
						73				32		30			27	26	25			22	21	20					
SALEABLE	NOT APPLICABLE	34566-1913	0	B	ST GRY			70		68		66					60	59					55	54	53		
						52		50		48		46					40	39						35	34	33	
						73				32	31	30	29	28	27	26	25	24									
SALEABLE	NOT APPLICABLE	34566-1923	0	A	BLACK				69						63				58		56	55	54	53			
						52	51		49					44	43	42	41					36	35	34	33		
						73				32				28		26							19	18			
SALEABLE	NOT APPLICABLE	34566-1933	0	A	BLACK			70			67	66	65					58	57		55						
									49		47			44	43	42	41	40	39		37		35				
						73				32		30			27		25	24			21	20	19	18	17		
SALEABLE	NOT APPLICABLE	34566-1943	0	A	BLACK			70			67	66	65					58	57		55						
							51		49		47			44	43	42	41	40	39		37		35				
						73				32		30			27		25	24			21	20	19	18	17		
SALEABLE	NOT APPLICABLE	34566-1953	0	C	BLUE			70				66			63			59		57					53		
						52	51			48	47	46		44		42		40	39							34	33
						73						30				26	25			22	21	20					
SALEABLE	NOT APPLICABLE	34566-1963	0	C	BLUE			70				66			63			59		57					53		
						52	51					46		44		42		40	39							34	33
						73						30				26	25			22	21	20					

MX123 52/66/73/80-WAY RECEPTACLE ASSY SEALED PIN OUT SHEET

STATUS	GM PART #	HRNS CONN ASSY			TPA	GROMMET CAP																						
		MATERIAL/PART	WIRE DRESS OPTION	KEY OPTION Fp	COLOR OPTION Fp	NUMBERS INDICATE CAVITIES OPEN FOR CIRCUITS																						
		NUMBER				Fp																						
SALEABLE	NOT APPLICABLE	34566-1973	0	A	BLACK	52	51		69								63						56	55	54	53		
									49					44	43	42	41								36	35	34	33
						73				32				28		26			23						21		19	18
SALEABLE	NOT APPLICABLE	34566-1983	0	B	ST GRAY																							
						73																						
SALEABLE	NOT APPLICABLE	34566-1993	0	C	BLUE																							
						73																						
SALEABLE	NOT APPLICABLE	34566-2013	0	A	BLACK		71	70					65				60	59	58	57					54	53		
							51	50	49	48		46	45		43		41	40	39		37	36	35					33
						73				32	31	30						24	23	22		20						
SALEABLE	NOT APPLICABLE	34566-2023	0	A	BLACK			70		68	67	66	65							58	57			55				
									49		47			44	43	42	41		39		37		35					
						73				32		30				27		25	24			21	20	19	18	17		
SALEABLE	NOT APPLICABLE	34566-2033	0	A	BLACK		71	70					65	64			60	59	58	57					54	53		
							51	50	49	48		46	45		43		41	40	39		37	36	35					33
						73				32	31	30						24	23	22		20						
SALEABLE	NOT APPLICABLE	34566-2043	0	A	BLACK			70			67	66	65						58	57			55					
									49		47			44	43	42	41		39		37		35					
						73				32		30				27		25	24			21	20	19	18	17		
SALEABLE	NOT APPLICABLE	34566-2053	0	B	ST GRAY			70		68	67	66	65							58	57			55				
									49		47			44	43	42	41		39		37		35					
						73				32		30				27		25	24	23		21	20	19	18			
SALEABLE	NOT APPLICABLE	34566-2063	0	H	ST GRAY			78						72	71	70	69	68		66	65	64	63		61			
								58	57	56			53	52		50							44	43			41	
						40			37		35	34			32		30	29		27	26						22	21
SALEABLE	NOT APPLICABLE	34566-2073	0	H	ST GRAY			78						72	71	70	69	68		66	65	64	63		61			
								58	57	56			53	52		50								44	43		41	
						40			37		35	34			32		30	29		27	26						22	21
SALEABLE	NOT APPLICABLE	34566-2083	0	H	ST GRAY			78						72	71	70	69	68	67	66	65	64	63		61			
								58	57	56			53	52	51	50								44	43		41	
						40			37		35	34			32		30	29		27	26						22	21
SALEABLE	NOT APPLICABLE	34566-2093	0	A	BLACK					68			65		63		61		59	58		56						
								50			47					41			38	37	36		34	33				
						73				32	31	30	29	28	27		25	24	23			20	19	18	17			
SALEABLE	NOT APPLICABLE	34566-2113	0	H	ST GRAY		79	78	77	76	75	74	73	72	71	70	69	68		66	65	64	63		61			
							60	59	58	57	56	55		53	52		50							44	43	42	41	
						40	39	38	37		35	34	33	32		30	29		27	26							22	21
SALEABLE	NOT APPLICABLE	34566-2123	0	H	ST GRAY		79	78	77	76	75	74	73	72	71	70	69	68		66	65	64	63		61			
							60	59	58	57	56	55		53	52		50								44	43	42	41
						40	39	38	37		35	34	33	32		30	29		27	26							22	21
SALEABLE	NOT APPLICABLE	34566-2133	0	B	ST GRAY		71	70					65	64			60	59	58	57			55	54	53			
							51	50	49	48		46	45		43		41	40	39		37	36	35					33
						73				32	31	30						24	23	22		20						

MX123 52/66/73/80-WAY RECEPTACLE ASSY SEALED PIN OUT SHEET

STATUS	GM PART #	HRNS CONN ASSY			TPA	GROMMET CAP																				
		MATERIAL/PART	WIRE DRESS OPTION	KEY OPTION Fp	COLOR OPTION Fp	NUMBERS INDICATE CAVITIES OPEN FOR CIRCUITS																				
		NUMBER				Fp																				
SALEABLE	NOT APPLICABLE	34566-2143	0	B	ST GRAY	71	70					65				60	59	58	57			54	53			
						51	50	49	48		46	45		43		41	40	39		37	36	35			33	
						73			32	31	30					24	23	22		20						
SALEABLE	NOT APPLICABLE	34566-2153	0	A	BLACK			70		68	67	66	65					58	57		55					
								49		47			44	43	42	41		39		37						
						73			32		30			27		25	24	23		21	20	19	18			
SALEABLE	NOT APPLICABLE	34566-2163	0	A	BLACK			70			67	66				61		58		55	54					
								49		47		45	44	43	42	41		39		37			34			
						73			32					27		24			21	20	19	18	17			
SALEABLE	NOT APPLICABLE	34566-2173	0	A	BLACK			70			67	66	65			61		58		55	54					
								49		47		45	44	43	42	41		39		37			34			
						73			32		30			27		25	24		21	20	19	18	17			
SALEABLE	NOT APPLICABLE	34566-2183	0	A	BLACK			70			67	66					58	57		55	54					
								49		47			44	43	42	41		39		37						
						73			32					27		24			21	20	19	18	17			
SALEABLE	NOT APPLICABLE	34566-2193	0	A	BLACK			70			67	66	65				58	57		55	54					
								49		47			44	43	42	41		39		37						
						73			32		30			27		25	24		21	20	19	18	17			
SALEABLE	NOT APPLICABLE	34566-2213	9	H	ST GRAY		79	78	77	76	75	74	73	72	71	70	69	68		66	65	64	63	61		
						60	59	58	57	56			53			50							44	43		41
						40	39	38	37		35	34	33	32		30	29		27	26			24	23	22	21
SALEABLE	NOT APPLICABLE	34566-2223	0	A	BLACK																					
						20	19	18	17			14	13	12	11	10	9	8		6	5		3	2		
						73			32					27		24	23						19	18	17	
SALEABLE	NOT APPLICABLE	34566-2233	0	A	BLACK				69						63				58		56	54				
						52	51		49				44	43	42	41						36	35	34	33	
						73			32				28		26								19	18		
SALEABLE	NOT APPLICABLE	34566-2243	0	H	ST GRAY		79	78	77	76	75	74	73	72	71	70	69	68		66	65	64	63	61		
						60	59	58	57	56			53	52		50							44	43		41
						40	39	38	37		35	34	33	32		30	29		27	26			24	23	22	21
SALEABLE	NOT APPLICABLE	34566-2253	0	A	BLACK																					
						20	19	18	17	16		14	13	12	11	10	9	8		6	5		3	2		
						73			32	31	30	29	28	27	26		24	23	22	21	20	19	18	17		
SALEABLE	NOT APPLICABLE	34566-2263	0	A	BLACK				69						63				58		56	55	54	53		
						52	51	50	49				44	43	42	41							36	35	34	33
						73			32				28		26									19	18	
SALEABLE	NOT APPLICABLE	34566-2273	0	A	BLACK				69						63	62	61			58	57	56	55	54	53	
						52	51	50	49				44	43	42	41						37	36	35	34	33
						73			32			29	28	27	26									19	18	
SALEABLE	NOT APPLICABLE	34566-2283	0	B	ST GRAY				49		68	67	66	65	64	63								55		
										48		46	45	44	43											
						73			32		30	29	28	27												
SALEABLE	NOT APPLICABLE	34566-2293	0	C	BLUE				70		68		66		63				59		57			53		
						52	51			48	47	46		44		42		40	39						34	33
						73					30				26	25			22	21						





MX123 52/66/73/80-WAY RECEPTACLE ASSY SEALED PIN OUT SHEET

STATUS	GM PART #	HRNS CONN ASSY			TPA	GROMMET CAP																						
		MATERIAL/PART	WIRE DRESS OPTION	KEY OPTION Fp	COLOR OPTION Fp	NUMBERS INDICATE CAVITIES OPEN FOR CIRCUITS																						
		NUMBER				Fp																						
SALEABLE	NOT APPLICABLE	34566-2473	0	A	BLACK			70		68	67	66	65						58	57		55						
								49			47		30			44	43	42	41		39			35				
						73				32							27		25	24			21	20	19	18	17	
SALEABLE	NOT APPLICABLE	34566-2483	0	A	BLACK				69							63	62	61			58	57	56	55	54	53		
						52	51		49					44	43	42	41				37	36	35	34	33			
						73				32				29	28	27	26			23					19	18		
SALEABLE	NOT APPLICABLE	34566-2493 SAME AS P/N 34566-3863	0	B	ST GRAY	72	71	70		68	67	66				62	61	60	59	58	57	56	55	54	53			
						52	51	50		48	47	46				42	41	40	39	38	37	36	35	34	33			
						73				32	31	30	29	28	27	26	25	24										17
SALEABLE	NOT APPLICABLE	34566-2513	0	C	BLUE	72		70		68	67	66			63	62			59		57				53			
						52	51			48	47	46		44		42		40	39							34	33	
						73				32		30				27	26	25				22	21	20				
SALEABLE	NOT APPLICABLE	34566-2523	0	A	BLACK	72	71	70	69	68	67	66	65	64	63	62		60	59					55	54	53		
						52			49	48			45	44	43	42	41	40	39							35	34	33
						73				32				29	28	27		25	24	23							19	18
SALEABLE	NOT APPLICABLE	34566-2533	0	B	ST GRAY						67	66	65		63				59	58	57	56	55	54	53			
								50	49	48		46	45		43				39	38	37	36	35	34	33			
						73								29		27				23	22	21					18	
SALEABLE	NOT APPLICABLE	34566-2543	0	C	BLUE	72		70				66			63			59		57					53			
						52	51					46		44		42		40	39							34	33	
						73				32		30				27	26	25			22	21						
SALEABLE	NOT APPLICABLE	34566-2553	9	B	ST GRAY	72	71	70		68	67	66				62	61	60	59	58	57	56	55	54	53			
						52	51	50		48	47	46				42	41	40	39	38	37	36	35	34	33			
						73				32	31	30	29	28	27	26	25	24	23									
SALEABLE	NOT APPLICABLE	34566-2563	9	A	BLACK				69						63	62	61			58	57	56	55	54	53			
						52	51	50	49					44	43	42	41		39			37	36	35	34	33		
						73				32				29	28	27	26									19	18	
SALEABLE	NOT APPLICABLE	34566-2573	9	C	BLUE	72		70			67	66			63	62			59		57				53			
						52	51					46		44		42		40	39							34	33	
						73						30				27	26	25			22	21	20					
SALEABLE	NOT APPLICABLE	34566-2583	0	A	BLACK				69						63					58	57	56	55	54	53			
						52	51	50	49					44	43	42	41		39						36	35	34	33
						73				32				28		26										19	18	
SALEABLE	NOT APPLICABLE	34566-2593	0	C	BLUE	72		70				66			63	62			59		57				53			
						52	51					46		44		42		40	39							34	33	
						73				32		30				27	26	25			22	21						
SALEABLE	NOT APPLICABLE	34566-2613	9	C	BLUE	72		70			67	66			63	62			59		57				53			
						52	51					46		44		42		40	39							34	33	
						73						30				27	26	25			22	21	20					
SALEABLE	NOT APPLICABLE	34566-2623	0	A	BLACK		71		69	68	67		65	64	63		61		59		57	56						
								50	49		47					41			38	37	36					34	33	
						73				32	31	30	29	28	27		24	23						20	19	18		
SALEABLE	NOT APPLICABLE	34566-2633	0	A	BLACK		71		69	68	67		65	64			61		59		57	56						
								50	49		47					41			38	37	36					33		
						73				32	31	30	29	28	27		24	23						20	19	18		



MX123 52/66/73/80-WAY RECEPTACLE ASSY SEALED PIN OUT SHEET

STATUS	GM PART #	HRNS CONN ASSY			TPA	GROMMET CAP																					
		MATERIAL/PART	WIRE DRESS OPTION	KEY OPTION Fp	COLOR OPTION Fp	NUMBERS INDICATE CAVITIES OPEN FOR CIRCUITS																					
		NUMBER				Fp																					
SALEABLE	NOT APPLICABLE	34566-2813	9	B	ST GRAY	72	71	70	69	68	67	66	65	64		62	61	60	59	58	57	56	55	54			
						52	51	50	49	48		46		44				40				37	36				
						73				32	31	30	29	28	27		25	24				21	20			18	
SALEABLE	NOT APPLICABLE	34566-2823	0	A	BLACK						67	66															
											47					41											
						73				32	31	30	29		27		25			22	21			19	18	17	
SALEABLE	NOT APPLICABLE	34566-2833	0	B	ST GRAY	72	71	70	69	68	67	66	65			61	60				57	56	55	54			
						52	51	50	49	48		46		44				40				37	36				
						73				32	31	30	29	28	27			24			21	20	19	18	17		
SALEABLE	NOT APPLICABLE	34566-2843	0	A	BLACK						67	66															
											47					41											
						73				32	31	30	29		27		25			22	21			19	18	17	
SALEABLE	NOT APPLICABLE	34566-2853	0	B	ST GRAY	72	71	70	69	68	67	66	65	64	63		61	60				57	56	55	54		
						52	51	50	49	48		46		44				40				37	36				
						73				32	31	30	29	28	27			24			21	20	19	18	17		
SALEABLE	NOT APPLICABLE	34566-2863	0	A	BLACK						67	66															
											47					41											
						73				32	31	30	29		27		25			22	21			19	18	17	
SALEABLE	NOT APPLICABLE	34566-2873	0	B	ST GRAY	72	71	70	69	68	67	66							59	58	57	56	55	54			
						52	51	50	49	48	47							40			39	38	37	36	35	33	
						73					15					11	10		8		6	5	4	3			
SALEABLE	NOT APPLICABLE	34566-2883	0	A	BLACK			70	69						63	62	61			58	57	56	55	54	53		
						52	51		49				44	43	42	41					37	36			34		
						73				32			29	28	27	26									19	18	
SALEABLE	NOT APPLICABLE	34566-2893	0	A	BLACK				69		67	66	65		63			60			57	56		53			
									49		47	46		44	43			40			37	36	35		33		
						73					31	30	29	28				24			21	20					
SALEABLE	NOT APPLICABLE	34566-2913	0	B	ST GRAY					68	67			64					58								
												46	45							38							
						73				32		30	29	28	27				22							17	
SALEABLE	NOT APPLICABLE	34566-2923	0	B	ST GRAY						15																
												46	45														
						73				32		30	29	28	27											17	
SALEABLE	NOT APPLICABLE	34566-2933	0	A	BLACK	72			69		67	66	65		63			60			57	56		53			
									49		47			44	43			40			37	36	35		33		
						73					31	30	29	28				24			21	20				17	
SALEABLE	NOT APPLICABLE	34566-2943	0	B	ST GRAY					68	67			64	63				59		57						
												46	45						39		37						
						73				32		30	29	28	27						21						
SALEABLE	NOT APPLICABLE	34566-2953	0	B	ST GRAY						15																
												46	45														
						73				32		30	29	28	27											34	
SALEABLE	NOT APPLICABLE	34566-2963	0	H	ST GRAY		79						74	73	72	71		69	68	67		64		62	61		
							59						54	53	52			49	48	47						42	41
								38						33					29	28	27			25			

MX123 52/66/73/80-WAY RECEPTACLE ASSY SEALED PIN OUT SHEET

STATUS	GM PART #	HRNS CONN ASSY			TPA	GROMMET CAP																						
		MATERIAL/PART	WIRE DRESS OPTION	KEY OPTION Fp	COLOR OPTION Fp	NUMBERS INDICATE CAVITIES OPEN FOR CIRCUITS																						
		NUMBER				Fp																						
SALEABLE	NOT APPLICABLE	34566-2973	0	G	BLUE	80		78	77		75	74	73	72		70	69		67		65	64	63	62				
						60		58	57		55	54		52	51	50	49		47		45							
						40		38	37					33	32	31				27	26	25	24					
						20		18	17									10	9	8		6	5			3	2	1
SALEABLE	NOT APPLICABLE	34566-9913	0	A	BLACK	72	71			68	67	66	65	64					59									
								50		48	47	46	45					40	39	38								
						73					31	30						25	24		22	21	20				17	
												14						9	7	6	5	4				2	1	
SALEABLE	NOT APPLICABLE	34566-9923	0	A	BLACK	72	71				67	66				62	61	60			57			55	54			
							51			48		46	45	44	43	42			39						35		33	
						73												26	25	24								
												15	14							8	7	6	5	4	3	2		
SALEABLE	NOT APPLICABLE	34566-9933	0	B	ST GRAY				69				65	64	63													
									49				45	44	43													
						73										12	11					22	21	20	19	18	17	
																						6	5	4	3	2	1	
SALEABLE	NOT APPLICABLE	34566-9943	0	C	BLUE		71		69				65	64			61	60			58		56	55	54			
								50	49				45		43			41				37	36	35				
						73					31		29	28					24	23					19	18	17	
												16		13	12	11				8	7					3	2	1
SALEABLE	NOT APPLICABLE	34566-9953	0	A	BLACK					67						62		60			57			55				
							51			48		46	45	44	43				39						35			
						73													25									
												15	14							7	6	5	4	3	2			
SALEABLE	NOT APPLICABLE	34566-9963	0	B	ST GRAY					68	67			64	63					58			55					
												46	45		43						38			35				
						73					32		30	29	28	27					22			19		17		
												15		13				10									1	
SALEABLE	NOT APPLICABLE	34566-9973	0	B	ST GRAY					68	67			64	63					58								
												46	45		43						38							
						73					32		30	29	28	27					22						17	
												15		13				10										
SALEABLE	NOT APPLICABLE	34566-2983	9	A	BLACK				70	69					63	62	61			58	57	56	55	54	53			
						52	51		49					44	43	42	41					37	36		34			
						73					32		29	28	27	26									19	18	17	
											16	15		13	12	11	10								3	2	1	
SALEABLE	NOT APPLICABLE	34566-2993	9	B	ST GRAY	72	71	70		68	67	66				62	61	60	59	58	57	56	55	54	53			
						52	51	50		48	47	46				42	41	40	39	38	37	36	35	34	33			
						73					32	31	30	29	28	27	26	25	24									
											16	15	14	13			10	9	8									
SALEABLE	NOT APPLICABLE	34566-3013	9	C	BLUE	72	71	70	69	68	67	66			63	62			59		57	56	55		53			
						52	51					46		44		42		40	39	38						34	33	
						73					32		30				26	25			22	21			19	18		
												15	14				10	9			6	5	4	3				
SALEABLE	NOT APPLICABLE	34566-3023	0	G	BLUE		79			76					71			68		66				61				
							59			56				53					30	29	28			44	43	42	41	
							39			36	35	34													23	22	21	
							19			16	15	14	13	12	11						7				4			
SALEABLE	NOT APPLICABLE	34566-3033	0	H	ST GRAY	80		78	77	76	75					70				66	65		63					
						60		58	57	56	55					51	50				46	45	44	43				
						40	39		37	36	35	34			32	31	30			28		26		24	23	22		
						20	19	18	17	16					13	12						6	5	4	3	2	1	
SALEABLE	NOT APPLICABLE	34566-3043	0	C	BLUE	72	71	70		68		66			63	62			59		57				53			
						52	51			48	47	46		44		42		40	39							34	33	
						73					32		30			27	26	25			22	21	20					
												15	14	13			10	9			6	5	4					
SALEABLE	NOT APPLICABLE	34566-3053	0	C	BLUE	72		70		68		66			63	62			59		57				53			
						52	51			48	47	46		44		42		40	39	38						34	33	
						73					32		30			27	26	25			22	21	20					
												15	14	13			10	9			6	5	4					

MX123 52/66/73/80-WAY RECEPTACLE ASSY SEALED PIN OUT SHEET

STATUS	GM PART #	HRNS CONN ASSY			TPA	GROMMET CAP																					
		MATERIAL/PART	WIRE DRESS OPTION	KEY OPTION Fp	COLOR OPTION Fp	NUMBERS INDICATE CAVITIES OPEN FOR CIRCUITS																					
		NUMBER				Fp																					
SALEABLE	NOT APPLICABLE	34566-3063	0	A	BLACK	52	71		69				65	64	63			60		58	57	56	55	54	53		
							51		49				45	44	43	42	41						37	36	35	34	33
						73				32		30			28		26									19	18
SALEABLE	NOT APPLICABLE	34566-3073	0	A	BLACK	52	71		69				65	64	63			60			57	56	55	54	53		
							51		49				45	44	43	42	41						37	36	35	34	33
						73				32		30			28		26			23						19	18
SALEABLE	NOT APPLICABLE	34566-3083	0	A	BLACK	52	71		69				65	64	63			60		58	57	56	55	54	53		
							51		49				45	44	43	42	41						37	36	35	34	33
						73				32		30			28		26									19	18
SALEABLE	NOT APPLICABLE	34566-3093	0	A	BLACK	52	71		69				65	64	63			60			57	56	55	54	53		
							51		49				45	44	43	42	41						37	36	35	34	33
						73				32		30			28		26			23						19	18
SALEABLE	NOT APPLICABLE	34566-3113	0	A	BLACK	52	71		69				65	64	63			60			57	56	55	54	53		
							51		49				45	44	43	42	41						37	36	35	34	33
						73				32		30			28		26			23			21			19	18
SALEABLE	NOT APPLICABLE	34566-3123	0	B	ST GRAY	72		70				66					60	59					55	54	53		
						52		50				48	46					40	39						35	34	33
						73				32	31	30	29	28	27	26	25	24									
SALEABLE	NOT APPLICABLE	34566-3133	0	C	BLUE	72		70		68	67	66			63	62			59		57				53		
						52	51			48	47	46		44		42		40	39							34	33
						73				32		30			26	25			22	21	20						
SALEABLE	NOT APPLICABLE	34566-3143	0	C	BLUE	72		70				66			63	62			59		57				53		
						52	51					46		44		42		40	39							34	33
						73				32		30			26	25			22	21							
SALEABLE	NOT APPLICABLE	34566-3153	0	A	BLACK	52	71		69						63				58			56		54			
							51		49				47			44	43	42	41					36		34	
						73				32					28		26									19	18
SALEABLE	NOT APPLICABLE	34566-3163	0	C	BLUE	72		70							63	62			59		57	56	55		53		
						52	51					46		44		42		40	39							34	33
						73				32		30			26	25			22	21						19	18
SALEABLE	NOT APPLICABLE	34566-3173	0	A	BLACK	52	71		69						63				58			56		54			
							51		49				47			44	43	42	41					36		34	
						73				32					28		26									19	18
SALEABLE	NOT APPLICABLE	34566-3183	0	C	BLUE	72		70				66			63	62			59		57	56	55		53		
						52	51					46		44		42		40	39							34	33
						73				32		30			26	25			22	21							
SALEABLE	NOT APPLICABLE	34566-3193	0	A	BLACK	52	71		69						63				58			56	55	54	53		
							51		49				47			44	43	42	41					36	35	34	33
						73				32					28		26									19	18
SALEABLE	NOT APPLICABLE	34566-3213	0	C	BLUE	72		70				67	66			63	62			59		56			53		
						52	51					46		44		42		40	39							34	33
						73				32		30			26	25			22	21							
SALEABLE	NOT APPLICABLE	34566-3223	0	C	BLUE	72		70				67	66			63	62			59		57			53		
						52	51					46		44		42		40	39							34	33
						73				32		30			27	26	25			22	21						

MX123 52/66/73/80-WAY RECEPTACLE ASSY SEALED PIN OUT SHEET

STATUS	GM PART #	HRNS CONN ASSY			TPA	GROMMET CAP																									
		MATERIAL/PART	WIRE DRESS OPTION	KEY OPTION Fp	COLOR OPTION Fp	NUMBERS INDICATE CAVITIES OPEN FOR CIRCUITS																									
		NUMBER				Fp																									
SALEABLE	NOT APPLICABLE	34566-3233	0	A	BLACK	70	69								63	62	61					58	57	56	55	54	53				
						52	51		49					44	43	42	41										36		19	18	
						73				32				29	28	27	26													3	
SALEABLE	NOT APPLICABLE	34566-3243	0	C	BLUE	72		70							66													53			
						52	51							46		44			42				40	39					34	33	
						73				32								26	25					22	21						
SALEABLE	NOT APPLICABLE	34566-3253	0	A	BLACK	70	69								63								58		56	55	54	53			
						52	51		49					44	43	42	41										36		19	18	
						73				32								26											3		
SALEABLE	NOT APPLICABLE	34566-3263	0	C	BLUE	72		70							66													53			
						52	51							46		44			42			40	39						34	33	
						73				32								26	25					22	21				19	18	
SALEABLE	NOT APPLICABLE	34566-3273	0	A	BLACK	70	69								63								58		56	55	54	53			
						52	51		49					44	43	42	41										36		19	18	
						73				32								26											3		
SALEABLE	NOT APPLICABLE	34566-3283	0	C	BLUE	72		70							66													53			
						52	51							46		44			42			40	39						34	33	
						73				32								26	25					22	21				19	18	
SALEABLE	NOT APPLICABLE	34566-3293	0	B	ST GRAY	72	71	70							68	67	66												53		
						52	51	50						48	47				42	41	40	39	38	37	36	35	34	33			
						73				32	31	30	29	28	27	26	25	24	23												
SALEABLE	NOT APPLICABLE	34566-3313	0	C	BLUE	72		70							63	62								58		56	55	54	53		
						52	51							46		44			42			40	39						34	33	
						73				32								26	25					22	21						
SALEABLE	NOT APPLICABLE	34566-3323	0	B	ST GRAY					68	67	66	65	64	63									58		55					
									49					48		46	45	44	43							38					
						73				32								27												17	
SALEABLE	NOT APPLICABLE	34566-3333	0	A	BLACK	72	71	70	69						68														53		
						52	51	50	49						47					42	41					38	37	36		34	33
						73				32	31	30	29	28	27	26		24	23									20	19	18	17
SALEABLE	NOT APPLICABLE	34566-3343	0	A	BLACK	72				69					67	66	65												53		
									49					47			44	43	42			40					37	36	35		33
						73				32								26		24							21	20			17
SALEABLE	NOT APPLICABLE	34566-3353	0	B	ST GRAY					68	67				64													54			
														46	45											39	38				
						73				32								27								23	22				17
SALEABLE	NOT APPLICABLE	34566-3363	0	A	BLACK		71		69						68													54			
						52		50	49						47					42	41	40	39	38	37	36			34	33	
						73				32	31	30	29	28	27	26		24	23	22								20	19	18	
SALEABLE	NOT APPLICABLE	34566-3373	9	C	BLUE	72		70							68	67	66											53			
						52	51							48	47	46			44			42		40	39	38			34	33	
						73				32								26	25						22	21			19	18	
SALEABLE	NOT APPLICABLE	34566-3383	0	A	BLACK			70	69						68													54			
						52		50	49						48	47				42	41					38	37	36		34	33
						73				32	31	30	29	28	27	26		24	23									20	19	18	1







MX123 52/66/73/80-WAY RECEPTACLE ASSY SEALED PIN OUT SHEET

STATUS	GM PART #	HRNS CONN ASSY			TPA	GROMMET CAP																				
		MATERIAL/PART	WIRE DRESS OPTION	KEY OPTION Fp	COLOR OPTION Fp	NUMBERS INDICATE CAVITIES OPEN FOR CIRCUITS																				
		NUMBER				Fp																				
SALEABLE	NOT APPLICABLE	34566-3733	0	B	ST GRY	72	71	70		68	67	66				62	61	60	59	58	57	56	55	54	53	
						52	51	50		48	47	46				42	41	40	39	38	37	36	35	34	33	
						73				32	31	30	29	28	27	26	25	24	23							
SALEABLE	NOT APPLICABLE	34566-3743	0	C	BLUE	72		70		68		66			63	62			59		57			53		
						52	51			48	47	46		44		42		40	39	38					34	33
						73				32		30			27	26	25			22	21					
SALEABLE	NOT APPLICABLE	34566-3753	0	C	BLUE	72		70		68		66			63	62			59		57			53		
						52	51			48	47	46		44		42		40	39						34	33
						73				32		30			27	26	25			22	21					
SALEABLE	NOT APPLICABLE	34566-3763	0	C	BLUE	72		70		68		66			63	62			59		57	56	55	54	53	
						52	51			48	47	46		44		42		40	39						34	33
						73				32		30			27	26	25			22	21					
SALEABLE	NOT APPLICABLE	34566-3773	0	A	BLACK			70	69						63				58		56	55	54	53		
						52	51	50	49					44	43	42	41		39					36		34
						73				32					28		26								19	18
SALEABLE	NOT APPLICABLE	34566-3783	0	A	BLACK			70	69						63				58		56	55	54	53		
						52	51	50	49					44	43	42	41		39					36		34
						73				32					28		26								19	18
SALEABLE	NOT APPLICABLE	34566-3793	0	A	BLACK		71	70						64	63			60		58	57	56	55	54	53	
						52	51		49				45	44	43	42	41				37	36			34	
						73				32		30			28		26		23		21				19	18
SALEABLE	NOT APPLICABLE	34566-3813	0	C	BLUE	72		70		68		66			63	62			59		57			53		
						52	51			48	47	46		44		42		40	39	38	37	36			34	33
						73				32		30			26	25	24			22	21	20				
SALEABLE	NOT APPLICABLE	34566-3823	0	A	BLACK			70	69						63		61		58	57	56	55	54	53		
						52	51		49					44	43		41				37	36			34	
						73				32					27	26									19	18
SALEABLE	NOT APPLICABLE	34566-3833	0	A	BLACK			70	69						63	62	61			57	56	55	54	53		
						52	51		49					44	43	42	41				37	36			34	
						73				32			29	28	27	26			23						19	18
SALEABLE	NOT APPLICABLE	34566-3843	0	A	BLACK	72	71	70	69	68	67	66			64	63	62		60	59			55	54	53	
						52			49	48				44	43	42	41	40	39					35	34	33
						73				32			29	28	27		25	24	23						19	18
SALEABLE	NOT APPLICABLE	34566-3853	0	A	BLACK	72	71	70	69	68	67	66	65	64	63	62		60	59			55	54	53		
						52			49	48			45	44	43	42	41	40	39					35	34	33
						73				32			29	28	27		25	24	23						19	18
SALEABLE	NOT APPLICABLE	34566-3863	0	B	ST GRY	72	71	70		68	67	66				62	61	60	59	58	57	56	55	54	53	
						52	51	50		48	47	46				42	41	40	39	38	37	36	35	34	33	
						73				32	31	30	29	28	27	26	25	24								
SALEABLE	NOT APPLICABLE	34566-3873	0	B	ST GRY										63				59	58	57	56	55			
								50	49	48		46	45		43					39	38	37	36	35	34	
						73							29	27					23	22	21					18
SALEABLE	NOT APPLICABLE	34566-3883	0	B	ST GRY						67	66						59	58	57	56	55		53		
								50	49	48			45						39	38	37	36	35	34	33	
						73							29						23	22	21					18



MX123 52/66/73/80-WAY RECEPTACLE ASSY SEALED PIN OUT SHEET

STATUS	GM PART #	HRNS CONN ASSY			TPA	GROMMET CAP																							
		MATERIAL/PART	WIRE DRESS OPTION	KEY OPTION Fp	COLOR OPTION Fp	NUMBERS INDICATE CAVITIES OPEN FOR CIRCUITS																							
		NUMBER				Fp																							
SALEABLE	NOT APPLICABLE	34566-4063	0	B	ST GRY					68	67			64					59	58					54				
						73																							
SALEABLE	NOT APPLICABLE	34566-4073	0	A	BLACK	72			70																				
						52	51																						
						73																							
SALEABLE	NOT APPLICABLE	34566-4083	0	C	BLUE	72			70																				
						52	51																						
						73																							
SALEABLE	NOT APPLICABLE	34566-4093	0	A	BLACK		71	70	69																				
						52	51		49																				
						73																							
SALEABLE	NOT APPLICABLE	34566-4113	0	B	ST GRY					68	67			64															
						73																							
SALEABLE	NOT APPLICABLE	34566-4123	9	A	BLACK	72				69																			
									49																				
						73																							
SALEABLE	NOT APPLICABLE	34566-4133	9	B	ST GRY					68	67			64															
						73																							
SALEABLE	NOT APPLICABLE	34566-4143	0	B	ST GRY					68	67			64															
						73																							
SALEABLE	NOT APPLICABLE	34566-4153	0	B	ST GRY	72			70																				
						52		50																					
						73																							
SALEABLE	NOT APPLICABLE	34566-4163	0	B	ST GRY	72			70																				
						52		50																					
						73																							
SALEABLE	NOT APPLICABLE	34566-4173	0	A	BLACK	72	71	70	69																				
						52	51		49																				
						73																							
SALEABLE	NOT APPLICABLE	34566-4183	0	C	BLUE	72			70																				
						52	51																						
						73																							
SALEABLE	NOT APPLICABLE	34566-4193	0	C	BLUE		71		69																				
								50	49																				
						73																							
SALEABLE	NOT APPLICABLE	34566-4213	0	A	BLACK	72	71																						
								50																					
						73																							
SALEABLE	NOT APPLICABLE	34566-4223	0	A	BLACK	72	71																						
								50																					
						73																							



MX123 52/66/73/80-WAY RECEPTACLE ASSY SEALED PIN OUT SHEET

STATUS	GM PART #	HRNS CONN ASSY			TPA	GROMMET CAP																							
		MATERIAL/PART	WIRE DRESS OPTION	KEY OPTION Fp	COLOR OPTION Fp	NUMBERS INDICATE CAVITIES OPEN FOR CIRCUITS																							
		NUMBER				Fp																							
SALEABLE	NOT APPLICABLE	34566-4393	0	G	BLUE			78	77		75	74		72		70	69		67		65	64	63	62					
						60		58	57		55	54		52	51	50	49		47		45								
						40		38	37					33	32	31				27	26	25	24						
						20		18	17										10	9	8		6	5		3	2	1	
SALEABLE	NOT APPLICABLE	34566-4413	0	B	ST GRAY										63			59	58	57	56	55		53					
								50	49	48		46		43			39	38	37	36	35	34	33						
						73							29		27				23	22	21					18			
										16	15	14								7	6	5	4	3					
SALEABLE	NOT APPLICABLE	34566-4423	9	C	BLUE	72		70		68	67	66			63	62			59		57				53				
						52	51			48	47	46		44		42		40	39	38	37	36			34	33			
						73								32		30			27	26	25	24		22	21				
												15	14					10	9	8		6	5	4			2		
SALEABLE	NOT APPLICABLE	34566-4433	9	A	BLACK			70	69						63	62	61	60		58	57	56	55	54	53				
						52	51	50	49					44	43	42	41	40			37	36			34	33			
						73								32			29	28	27	26						19	18		
										16	15	14	13	12	11	10											3		
SALEABLE	NOT APPLICABLE	34566-4443	9	A	BLACK						67	66																	
										48	47						41												
						73								32	31	30	29		27	26	25			22	21		19	18	17
										16	15	14	13																1
SALEABLE	NOT APPLICABLE	34566-4453	0	A	BLACK	72	71	70	69						63	62	61	60	59	58	57	56	55	54	53				
						52	51	50	49	48		46	45	44	43	42		40	39	38	37	36	35	34	33				
						73											28				24	23					20		
															12	11												2	1
SALEABLE	NOT APPLICABLE	34566-4463	9	B	ST GRAY										63									53					
										48	47		45		43	42			39						35	34	33		
						73												11									19		
																													1
SALEABLE	NOT APPLICABLE	34566-4473	0	B	ST GRAY								64	63	62			59	58						53				
												47		45		43	42			39						35	34	33	
						73													26	25		23	22						
																												3	1
SALEABLE	NOT APPLICABLE	34566-4483	9	C	BLUE	72		70		68	67	66			63	62			59	58	57	56	55		53				
						52	51		49	48	47	46		44			40	39	38	37	36			34	33				
						73								32		30			27	26	25	24	23	22	21	20	19	18	17
												15	14	13				10	9	8	7	6	5	4	3	2	1		
SALEABLE	NOT APPLICABLE	34566-4493	9	A	BLACK	72	71	70	69				64	63	62	61	60	59	58	57	56	55	54	53					
						52	51	50	49	48	47		45	44	43	42	41	40	39		37	36			34				
						73								32		30	29	28	27	26		24	23		21		19	18	17
										16	15	14	13	12	11	10				8				5			3	2	1
SALEABLE	NOT APPLICABLE	34566-4513	9	B	ST GRAY	72	71	70		68	67	66				62	61	60	59	58	57	56	55	54	53				
						52	51	50		48	47	46				42	41	40	39	38	37	36	35	34	33				
						73								32	31	30	29	28	27	26	25	24	23				19	18	17
										16	15	14	13					10		8	7						3	2	1
SALEABLE	NOT APPLICABLE	34566-4523	0	G	BLUE			78	77		75	74		72		70	69		67		65	64	63	62					
						60		58	57		55	54		52	51	50	49		47		45								
						40		38	37						33	32	31				27	26	25	24					
						20		18	17										10	9	8		6	5		3	2	1	
SALEABLE	NOT APPLICABLE	34566-4533	0	A	BLACK	72			69		67		65		63			60			57	56			53				
									49		47			44	43			40			37	36	35			33			
						73													31	30	29	28			24			17	
										16	15	14	13					11	10						5	4	3	2	1
SALEABLE	NOT APPLICABLE	34566-4543	0	B	ST GRAY					68	67			64	63				58	57			55		53				
												46	45		43						38	37			35				
						73								32		30	29	28	27								19		17
																		12		10									1
SALEABLE	NOT APPLICABLE	34566-4553	0	B	ST GRAY					68	67			64	63				58	57					53				
												46	45		43						38	37							
						73								32		30	29	28	27								22	21	17
																		12		10									



MX123 52/66/73/80-WAY RECEPTACLE ASSY SEALED PIN OUT SHEET

STATUS	GM PART #	HRNS CONN ASSY			TPA	GROMMET CAP																						
		MATERIAL/PART	WIRE DRESS OPTION	KEY OPTION Fp	COLOR OPTION Fp	NUMBERS INDICATE CAVITIES OPEN FOR CIRCUITS																						
		NUMBER				Fp																						
SALEABLE	NOT APPLICABLE	34566-4733	0	A	BLACK	72	71	70	69					64	63			60	59	58		56	55	54	53			
						52	51		49		47		45	44	43	42	41						21		36		19	18
						73				32		30		28		26							8		5		3	
SALEABLE	NOT APPLICABLE	34566-4743	9	A	BLACK	72	71	70	69		67		65	64	63	62	61	60	59	58	57	56	55	54	53			
						52	51	50	49	48	47		45	44	43	42	41	40	39		37	36				34		
						73				32		30	29	28	27	26		24	23		21				19	18	17	
SALEABLE	NOT APPLICABLE	34566-4753	0	B	ST GRAY					68	67			64						58								
											46	45										38						
						73				32		30	29	28	27						22							17
SALEABLE	NOT APPLICABLE	34566-4763	0	B	ST GRAY					68	67			64														
											46	45																
						73				32		30	29	28	27													17
SALEABLE	NOT APPLICABLE	34566-4773	0	B	ST GRAY					68	67			64				59	58					54				
											46	45							39	38								
						73				32		30	29	28	27				23	22								17
SALEABLE	NOT APPLICABLE	34566-4783	0	B	ST GRAY					68	67			64	63					58				55				
											46	45		43							38					35		
						73				32		30	29	28	27						22						19	17
SALEABLE	NOT APPLICABLE	34566-4793	0	B	ST GRAY					68	67			64	63					58								
											46	45		43							38							
						73				32		30	29	28	27				10									17
SALEABLE	NOT APPLICABLE	34566-4813	9	B	ST GRAY					68	67			64				59	58					54				
											46	45							39	38								
						73				32		30	29	28	27				10	9	8		6					17
SALEABLE	NOT APPLICABLE	34566-4823	0	C	BLUE		51	50	49	68	67	66	65	64		43	42	41	40	39	38	37		55	54	53		
										32	31	30				26		24	23	22				20				33
						73				16			13			10	9	8	7	6	5	4	3	2				
SALEABLE	NOT APPLICABLE	34566-4833	0	C	BLUE	72		70		68	67	66			63	62			59		57				53			
						52	51			48	47	46		44		42		40	39		37	36				34	33	
						73				32		30			27	26	25	24		22	21							
SALEABLE	NOT APPLICABLE	34566-4843	0	C	BLUE	72		70		68	67	66			63	62			59		57				53			
						52	51			48	47	46		44		42		40	39	38	37	36				34	33	
						73				32		30			27	26	25	24		22	21							
SALEABLE	NOT APPLICABLE	34566-4853	0	C	BLUE	72		70		68		66			63	62			59		57	56	55		53			
						52	51			48	47	46		44		42		40	39		37	36				34	33	
						73				32		30			27	26	25	24		22	21				19	18		
SALEABLE	NOT APPLICABLE	34566-4863	0	C	BLUE	72		70		68		66			63	62			59		57				53			
						52	51			48	47	46		44		42		40	39	38	37	36				34	33	
						73				32		30			27	26	25	24		22	21							
SALEABLE	NOT APPLICABLE	34566-4873	0	C	BLUE	72		70		68		66			63	62			59		57				53			
						52	51			48	47	46		44		42		40	39		37	36				34	33	
						73				32		30			27	26	25	24		22	21							
SALEABLE	NOT APPLICABLE	34566-4883	9	A	BLACK	72			69		67		65		63			60			57	56			53			
									49		47	46		44	43			40			37	36	35				33	
						73				32		30	29	28				24			21	20						17
					16	15	14	13			11	10						5	4	3	2	1						



STATUS	GM PART #	HRNS CONN ASSY			TPA	GROMMET CAP																																																																																																																																																																																																																																																																																																																																																																																																																																																																																																																																																																																																																																																																																																																																																																																																																																																																																																																																																																																																																																																																																																																																																																																																																																																																																																																																																																																																																																																																																																																																																																																																																																																																																																																																																																																																																								
		MATERIAL/PART	WIRE DRESS OPTION	KEY OPTION		COLOR OPTION	NUMBERS INDICATE CAVITIES OPEN FOR CIRCUITS																																																																																																																																																																																																																																																																																																																																																																																																																																																																																																																																																																																																																																																																																																																																																																																																																																																																																																																																																																																																																																																																																																																																																																																																																																																																																																																																																																																																																																																																																																																																																																																																																																																																																																																																																																																																																							
		NUMBER		▽ Fp		▽ Fp	▽ Fp																																																																																																																																																																																																																																																																																																																																																																																																																																																																																																																																																																																																																																																																																																																																																																																																																																																																																																																																																																																																																																																																																																																																																																																																																																																																																																																																																																																																																																																																																																																																																																																																																																																																																																																																																																																																																							
SALEABLE	NOT APPLICABLE	34566-4893	9	B	ST GR Y						68	67				64	63							58						55																																									73												32																									SALEABLE	NOT APPLICABLE	34566-4913	9	B	ST GR Y						68	67				64	63							58	57					55																																											73																																						SALEABLE	NOT APPLICABLE	34566-4923	9	A	BLACK	72				69		67			65		63						60					57	56									53																																					73																																							SALEABLE	NOT APPLICABLE	34566-4933	0	C	BLUE	72				70		68	67	66			63	62							59				57	56									53	52	51																																				73																																								SALEABLE	NOT APPLICABLE	34566-4943	0	A	BLACK					70	69	68	67				63	62	61	60						59	58	57	56	55	54	53								52	51	50	49																																			73																																									SALEABLE	NOT APPLICABLE	34566-4953	0	B	ST GR Y	72	71	70	69		68	67	66	65	64	63									59														53	52	51	50	49																																			73																																									SALEABLE	NOT APPLICABLE	34566-4963	9	A	BLACK	72				69		67	66	65		63								60					57	56									53																																							73																																									SALEABLE	NOT APPLICABLE	34566-4973	9	B	ST GR Y						68	67				64								59	58															54																																							73																																									SALEABLE	NOT APPLICABLE	34566-4983	0	B	ST GR Y	72				70		68		66										60	59					55	54	53								52		50																																				73																																									SALEABLE	NOT APPLICABLE	34566-4993	0	A	BLACK	72	71	70	69		67				64	63																										52	51		49																																				73																																										SALEABLE	NOT APPLICABLE	34566-5013	9	B	ST GR Y						68	67				64	63							59	58					55	54																																																	73																																										SALEABLE	NOT APPLICABLE	34566-5023	0	C	BLUE	72				70		68	67				63	62							59				57											53	52	51																																						73																																										SALEABLE	NOT APPLICABLE	34566-5033	0	A	BLACK					70	69					63	62	61	60								58	57	56	55	54	53										52	51		49																																					73																																											SALEABLE	NOT APPLICABLE	34566-5043	0	A	BLACK																																						73																																									SALEABLE	NOT APPLICABLE	34566-5053	0	B	ST GR Y																																					73																																																																																														
																																									73												32																									SALEABLE	NOT APPLICABLE	34566-4913	9	B	ST GR Y						68	67				64	63							58	57											55																																											73																																						SALEABLE	NOT APPLICABLE	34566-4923	9	A	BLACK	72				69		67			65		63						60											57	56									53																																					73																																							SALEABLE	NOT APPLICABLE	34566-4933	0	C	BLUE	72				70		68	67	66			63							62							59				57	56									53	52	51																																				73																																								SALEABLE	NOT APPLICABLE	34566-4943	0	A	BLACK					70	69							68	67				63	62	61	60						59	58	57	56	55	54	53								52	51	50	49																																			73																																									SALEABLE	NOT APPLICABLE	34566-4953	0	B	ST GR Y							72	71	70	69		68	67	66	65	64	63									59														53	52	51	50	49																																			73																																															SALEABLE	NOT APPLICABLE	34566-4963	9	A	BLACK	72				69		67	66	65		63								60					57	56									53																																							73																																															SALEABLE	NOT APPLICABLE	34566-4973	9	B	ST GR Y						68	67				64								59	58															54																																							73																																															SALEABLE	NOT APPLICABLE	34566-4983	0	B	ST GR Y	72				70		68		66										60	59					55	54	53								52		50																																				73																																															SALEABLE	NOT APPLICABLE	34566-4993	0	A	BLACK	72	71	70	69		67				64	63																										52	51		49																																				73																																																SALEABLE	NOT APPLICABLE	34566-5013	9	B	ST GR Y						68	67				64	63							59	58					55	54																																																	73																																																SALEABLE	NOT APPLICABLE	34566-5023	0	C	BLUE	72				70		68	67				63	62							59				57											53	52	51																																						73																																																SALEABLE	NOT APPLICABLE	34566-5033	0	A	BLACK					70	69					63	62	61	60								58	57	56	55	54	53										52	51		49																																					73																																													SALEABLE	NOT APPLICABLE	34566-5043	0	A	BLACK																																												73																																									SALEABLE	NOT APPLICABLE	34566-5053	0	B	ST GR Y																																					73																																												
						73												32																																																																																																																																																																																																																																																																																																																																																																																																																																																																																																																																																																																																																																																																																																																																																																																																																																																																																																																																																																																																																																																																																																																																																																																																																																																																																																																																																																																																																																																																																																																																																																																																																																																																																																																																																																																																												
SALEABLE	NOT APPLICABLE	34566-4913	9	B	ST GR Y						68	67				64	63							58	57					55																																											73																																												SALEABLE	NOT APPLICABLE	34566-4923	9	A	BLACK	72				69		67			65		63						60					57	56									53																																					73																																											SALEABLE	NOT APPLICABLE	34566-4933	0	C	BLUE	72				70		68	67	66			63	62							59				57	56									53	52	51																																				73																																												SALEABLE	NOT APPLICABLE	34566-4943	0	A	BLACK					70	69	68	67				63	62	61	60						59	58	57	56	55	54	53								52	51	50	49																																			73																																														SALEABLE	NOT APPLICABLE	34566-4953	0	B	ST GR Y	72	71	70	69		68	67	66	65	64	63									59														53	52	51	50	49																																			73																																															SALEABLE	NOT APPLICABLE	34566-4963	9	A	BLACK	72				69		67	66	65		63								60					57	56									53																																							73																																															SALEABLE	NOT APPLICABLE	34566-4973	9	B	ST GR Y						68	67				64								59	58															54																																							73																																															SALEABLE	NOT APPLICABLE	34566-4983	0	B	ST GR Y	72				70		68		66										60	59					55	54	53								52		50																																				73																																															SALEABLE	NOT APPLICABLE	34566-4993	0	A	BLACK	72	71	70	69		67				64	63																										52	51		49																																				73																																																SALEABLE	NOT APPLICABLE	34566-5013	9	B	ST GR Y						68	67				64	63							59	58					55	54																																																	73																																																SALEABLE	NOT APPLICABLE	34566-5023	0	C	BLUE	72				70		68	67				63	62							59				57											53	52	51																																						73																																																SALEABLE	NOT APPLICABLE	34566-5033	0	A	BLACK					70	69					63	62	61	60								58	57	56	55	54	53										52	51		49																																					73																																																	SALEABLE	NOT APPLICABLE	34566-5043	0	A	BLACK																																						73																																									SALEABLE							NOT APPLICABLE	34566-5053	0	B	ST GR Y																																					73																																																																																																																																	
																																										73																																						SALEABLE	NOT APPLICABLE	34566-4923	9	A	BLACK	72				69		67			65		63						60					57	56															53																																					73																																							SALEABLE	NOT APPLICABLE	34566-4933	0	C	BLUE	72				70		68	67	66			63	62							59				57	56															53	52	51																																				73																																								SALEABLE	NOT APPLICABLE	34566-4943	0	A	BLACK					70	69	68	67				63	62	61	60						59	58	57	56	55	54	53														52	51	50	49																																			73																																									SALEABLE	NOT APPLICABLE	34566-4953	0	B	ST GR Y	72	71	70	69		68	67	66	65	64	63									59																				53	52	51	50	49																																			73																																									SALEABLE	NOT APPLICABLE	34566-4963	9	A	BLACK	72				69		67	66	65		63								60					57	56															53																																							73																																									SALEABLE	NOT APPLICABLE	34566-4973	9	B	ST GR Y						68	67				64								59	58																					54																																							73																																									SALEABLE	NOT APPLICABLE	34566-4983	0	B	ST GR Y	72				70		68		66										60	59					55	54							53								52		50																																				73																																									SALEABLE	NOT APPLICABLE	34566-4993	0	A	BLACK	72	71	70	69		67				64	63																																52	51		49																																				73																																										SALEABLE	NOT APPLICABLE	34566-5013	9	B	ST GR Y						68	67				64	63							59	58					55	54																																																							73																																										SALEABLE	NOT APPLICABLE	34566-5023	0	C	BLUE	72				70		68	67				63	62							59				57																	53	52	51																																						73																																										SALEABLE	NOT APPLICABLE	34566-5033	0	A	BLACK					70	69					63	62	61	60								58	57	56	55	54							53										52	51		49																																					73																																											SALEABLE	NOT APPLICABLE	34566-5043	0	A	BLACK																																												73																																									SALEABLE	NOT APPLICABLE	34566-5053	0	B	ST GR Y																																											73																																																																																																																																																											
						73																																																																																																																																																																																																																																																																																																																																																																																																																																																																																																																																																																																																																																																																																																																																																																																																																																																																																																																																																																																																																																																																																																																																																																																																																																																																																																																																																																																																																																																																																																																																																																																																																																																																																																																																																																																																																								
SALEABLE	NOT APPLICABLE	34566-4923	9	A	BLACK	72				69		67			65		63						60					57	56									53																																					73																																													SALEABLE	NOT APPLICABLE	34566-4933	0	C	BLUE	72				70		68	67	66			63	62							59				57	56									53	52	51																																				73																																												SALEABLE	NOT APPLICABLE	34566-4943	0	A	BLACK					70	69	68	67				63	62	61	60						59	58	57	56	55	54	53								52	51	50	49																																			73																																														SALEABLE	NOT APPLICABLE	34566-4953	0	B	ST GR Y	72	71	70	69		68	67	66	65	64	63									59														53	52	51	50	49																																			73																																															SALEABLE	NOT APPLICABLE	34566-4963	9	A	BLACK	72				69		67	66	65		63								60					57	56									53																																							73																																															SALEABLE	NOT APPLICABLE	34566-4973	9	B	ST GR Y						68	67				64								59	58															54																																							73																																														SALEABLE	NOT APPLICABLE	34566-4983	0	B	ST GR Y	72				70		68		66										60	59					55	54	53								52		50																																				73																																															SALEABLE	NOT APPLICABLE	34566-4993	0	A	BLACK	72	71	70	69		67				64	63																										52	51		49																																				73																																														SALEABLE	NOT APPLICABLE	34566-5013	9	B	ST GR Y						68	67				64	63							59	58					55	54																																																	73																																																SALEABLE	NOT APPLICABLE	34566-5023	0	C	BLUE	72				70		68	67				63	62							59				57											53	52	51																																						73																																																SALEABLE	NOT APPLICABLE	34566-5033	0	A	BLACK					70	69					63	62	61	60								58	57	56	55	54	53										52	51		49																																					73																																																SALEABLE	NOT APPLICABLE	34566-5043	0	A	BLACK																																						73																																									SALEABLE	NOT APPLICABLE	34566-5053							0	B	ST GR Y																																					73																																																																																																																																																																																																																																																								
																																										73																																							SALEABLE	NOT APPLICABLE	34566-4933	0	C	BLUE	72				70		68	67	66			63	62							59				57	56															53	52	51																																				73																																								SALEABLE	NOT APPLICABLE	34566-4943	0	A	BLACK					70	69	68	67				63	62	61	60						59	58	57	56	55	54	53														52	51	50	49																																			73																																									SALEABLE	NOT APPLICABLE	34566-4953	0	B	ST GR Y	72	71	70	69		68	67	66	65	64	63									59																				53	52	51	50	49																																			73																																									SALEABLE	NOT APPLICABLE	34566-4963	9	A	BLACK	72				69		67	66	65		63								60					57	56															53																																							73																																									SALEABLE	NOT APPLICABLE	34566-4973	9	B	ST GR Y						68	67				64								59	58																					54																																							73																																									SALEABLE	NOT APPLICABLE	34566-4983	0	B	ST GR Y	72				70		68		66										60	59					55	54	53														52		50																																				73																																									SALEABLE	NOT APPLICABLE	34566-4993	0	A	BLACK	72	71	70	69		67				64	63																																52	51		49																																				73																																										SALEABLE	NOT APPLICABLE	34566-5013	9	B	ST GR Y						68	67				64	63							59	58					55	54																																																							73																																										SALEABLE	NOT APPLICABLE	34566-5023	0	C	BLUE	72				70		68	67				63	62							59				57																	53	52	51																																						73																																										SALEABLE	NOT APPLICABLE	34566-5033	0	A	BLACK					70	69					63	62	61	60								58	57	56	55	54	53																52	51		49																																					73																																											SALEABLE	NOT APPLICABLE	34566-5043	0	A	BLACK																																												73																																									SALEABLE	NOT APPLICABLE	34566-5053	0	B	ST GR Y																																											73																																																																																																																																																																																																																																																																																		
						73																																																																																																																																																																																																																																																																																																																																																																																																																																																																																																																																																																																																																																																																																																																																																																																																																																																																																																																																																																																																																																																																																																																																																																																																																																																																																																																																																																																																																																																																																																																																																																																																																																																																																																																																																																																																																								
SALEABLE	NOT APPLICABLE	34566-4933	0	C	BLUE	72				70		68	67	66			63	62							59				57	56									53	52	51																																				73																																													SALEABLE	NOT APPLICABLE	34566-4943	0	A	BLACK					70	69	68	67				63	62	61	60						59	58	57	56	55	54	53								52	51	50	49																																			73																																														SALEABLE	NOT APPLICABLE	34566-4953	0	B	ST GR Y	72	71	70	69		68	67	66	65	64	63									59														53	52	51	50	49																																			73																																															SALEABLE	NOT APPLICABLE	34566-4963	9	A	BLACK	72				69		67	66	65		63								60					57	56									53																																							73																																															SALEABLE	NOT APPLICABLE	34566-4973	9	B	ST GR Y						68	67				64								59	58															54																																							73																																														SALEABLE	NOT APPLICABLE	34566-4983	0	B	ST GR Y	72				70		68		66										60	59					55	54	53								52		50																																				73																																															SALEABLE	NOT APPLICABLE	34566-4993	0	A	BLACK	72	71	70	69		67				64	63																										52	51		49																																				73																																														SALEABLE	NOT APPLICABLE	34566-5013	9	B	ST GR Y						68	67				64	63							59	58					55	54																																																	73																																																SALEABLE	NOT APPLICABLE	34566-5023	0	C	BLUE	72				70		68	67				63	62							59				57											53	52	51																																						73																																																SALEABLE	NOT APPLICABLE	34566-5033	0	A	BLACK					70	69					63	62	61	60								58	57	56	55	54	53										52	51		49																																					73																																																SALEABLE	NOT APPLICABLE	34566-5043	0	A	BLACK																																						73																																									SALEABLE	NOT APPLICABLE	34566-5053							0	B	ST GR Y																																					73																																																																																																																																																																																																																																																																																																																																																																															
						52	51																																				73																																								SALEABLE	NOT APPLICABLE	34566-4943	0	A	BLACK					70	69	68	67				63	62	61	60						59	58	57	56	55	54	53														52	51	50	49																																			73																																									SALEABLE	NOT APPLICABLE	34566-4953	0	B	ST GR Y	72	71	70	69		68	67	66	65	64	63									59																				53	52	51	50	49																																			73																																									SALEABLE	NOT APPLICABLE	34566-4963	9	A	BLACK	72				69		67	66	65		63								60					57	56															53																																							73																																									SALEABLE	NOT APPLICABLE	34566-4973	9	B	ST GR Y						68	67				64								59	58																					54																																							73																																									SALEABLE	NOT APPLICABLE	34566-4983	0	B	ST GR Y	72				70		68		66										60	59					55	54	53														52		50																																				73																																									SALEABLE	NOT APPLICABLE	34566-4993	0	A	BLACK	72	71	70	69		67				64	63																																52	51		49																																				73																																										SALEABLE	NOT APPLICABLE	34566-5013	9	B	ST GR Y						68	67				64	63							59	58					55	54																																																							73																																										SALEABLE	NOT APPLICABLE	34566-5023	0	C	BLUE	72				70		68	67				63	62							59				57																	53	52	51																																						73																																										SALEABLE	NOT APPLICABLE	34566-5033	0	A	BLACK					70	69					63	62	61	60								58	57	56	55	54	53																52	51		49																																					73																																											SALEABLE	NOT APPLICABLE	34566-5043	0	A	BLACK																																												73																																									SALEABLE	NOT APPLICABLE	34566-5053	0	B	ST GR Y																																											73																																																																																																																																																																																																																																																																																																																																																																																																											
						73																																																																																																																																																																																																																																																																																																																																																																																																																																																																																																																																																																																																																																																																																																																																																																																																																																																																																																																																																																																																																																																																																																																																																																																																																																																																																																																																																																																																																																																																																																																																																																																																																																																																																																																																																																																																																								
SALEABLE	NOT APPLICABLE	34566-4943	0	A	BLACK					70	69	68	67				63	62	61	60						59	58	57	56	55	54	53								52	51	50	49																																			73																																															SALEABLE	NOT APPLICABLE	34566-4953	0	B	ST GR Y	72	71	70	69		68	67	66	65	64	63									59														53	52	51	50	49																																			73																																															SALEABLE	NOT APPLICABLE	34566-4963	9	A	BLACK	72				69		67	66	65		63								60					57	56									53																																							73																																															SALEABLE	NOT APPLICABLE	34566-4973	9	B	ST GR Y						68	67				64								59	58															54																																							73																																														SALEABLE	NOT APPLICABLE	34566-4983	0	B	ST GR Y	72				70		68		66										60	59					55	54	53								52		50																																				73																																															SALEABLE	NOT APPLICABLE	34566-4993	0	A	BLACK	72	71	70	69		67				64	63																										52	51		49																																				73																																														SALEABLE	NOT APPLICABLE	34566-5013	9	B	ST GR Y						68	67				64	63							59	58					55	54																																																	73																																																SALEABLE	NOT APPLICABLE	34566-5023	0	C	BLUE	72				70		68	67				63	62							59				57											53	52	51																																						73																																																SALEABLE	NOT APPLICABLE	34566-5033	0	A	BLACK					70	69					63	62	61	60								58	57	56	55	54	53										52	51		49																																					73																																																SALEABLE	NOT APPLICABLE	34566-5043	0	A	BLACK																																						73																																									SALEABLE	NOT APPLICABLE	34566-5053							0	B	ST GR Y																																					73																																																																																																																																																																																																																																																																																																																																																																																																																																																																																																								
						52	51	50	49																																			73																																									SALEABLE	NOT APPLICABLE	34566-4953	0	B	ST GR Y	72	71	70	69		68	67	66	65	64	63									59														53							52	51	50	49																																			73																																									SALEABLE	NOT APPLICABLE	34566-4963	9	A	BLACK	72				69		67	66	65		63								60					57	56									53																																													73																																									SALEABLE	NOT APPLICABLE	34566-4973	9	B	ST GR Y						68	67				64								59	58																					54																																							73																																									SALEABLE	NOT APPLICABLE	34566-4983	0	B	ST GR Y	72				70		68		66										60	59					55	54	53														52		50																																				73																																									SALEABLE	NOT APPLICABLE	34566-4993	0	A	BLACK	72	71	70	69		67				64	63																																52	51		49																																				73																																										SALEABLE	NOT APPLICABLE	34566-5013	9	B	ST GR Y						68	67				64	63							59	58					55	54																																																							73																																										SALEABLE	NOT APPLICABLE	34566-5023	0	C	BLUE	72				70		68	67				63	62							59				57																	53	52	51																																						73																																										SALEABLE	NOT APPLICABLE	34566-5033	0	A	BLACK					70	69					63	62	61	60								58	57	56	55	54	53																52	51		49																																					73																																											SALEABLE	NOT APPLICABLE	34566-5043	0	A	BLACK																																												73																																									SALEABLE	NOT APPLICABLE	34566-5053	0	B	ST GR Y																																											73																																																																																																																																																																																																																																																																																																																																																																																																																																																																																																																																						
						73																																																																																																																																																																																																																																																																																																																																																																																																																																																																																																																																																																																																																																																																																																																																																																																																																																																																																																																																																																																																																																																																																																																																																																																																																																																																																																																																																																																																																																																																																																																																																																																																																																																																																																																																																																																																																								
SALEABLE	NOT APPLICABLE	34566-4953	0	B	ST GR Y	72	71	70	69		68	67	66	65	64	63									59														53	52	51	50	49																																			73																																															SALEABLE	NOT APPLICABLE	34566-4963	9	A	BLACK	72				69		67	66	65		63								60					57	56									53																																							73																																															SALEABLE	NOT APPLICABLE	34566-4973	9	B	ST GR Y						68	67				64								59	58															54																																							73																																															SALEABLE	NOT APPLICABLE	34566-4983	0	B	ST GR Y	72				70		68		66										60	59					55	54	53								52		50																																				73																																															SALEABLE	NOT APPLICABLE	34566-4993	0	A	BLACK	72	71	70	69		67				64	63																										52	51		49																																				73																																															SALEABLE	NOT APPLICABLE	34566-5013	9	B	ST GR Y						68	67				64	63							59	58					55	54																																																	73																																																SALEABLE	NOT APPLICABLE	34566-5023	0	C	BLUE	72				70		68	67				63	62							59				57											53	52	51																																						73																																																SALEABLE	NOT APPLICABLE	34566-5033	0	A	BLACK					70	69					63	62	61	60								58	57	56	55	54	53										52	51		49																																					73																																																SALEABLE	NOT APPLICABLE	34566-5043	0	A	BLACK																																						73																																									SALEABLE	NOT APPLICABLE	34566-5053							0	B	ST GR Y																																					73																																																																																																																																																																																																																																																																																																																																																																																																																																																																																																																																																																																																																																			
						52	51	50	49																																			73																																									SALEABLE	NOT APPLICABLE	34566-4963	9	A	BLACK	72				69		67	66	65		63								60					57	56									53																																													73																																									SALEABLE	NOT APPLICABLE	34566-4973	9	B	ST GR Y						68	67				64								59	58																					54																																							73																																									SALEABLE	NOT APPLICABLE	34566-4983	0	B	ST GR Y	72				70		68		66										60	59					55	54	53														52		50																																				73																																									SALEABLE	NOT APPLICABLE	34566-4993	0	A	BLACK	72	71	70	69		67				64	63																																52	51		49																																				73																																										SALEABLE	NOT APPLICABLE	34566-5013	9	B	ST GR Y						68	67				64	63							59	58					55	54																																																							73																																										SALEABLE	NOT APPLICABLE	34566-5023	0	C	BLUE	72				70		68	67				63	62							59				57																	53	52	51																																						73																																										SALEABLE	NOT APPLICABLE	34566-5033	0	A	BLACK					70	69					63	62	61	60								58	57	56	55	54	53																52	51		49																																					73																																											SALEABLE	NOT APPLICABLE	34566-5043	0	A	BLACK																																												73																																									SALEABLE	NOT APPLICABLE	34566-5053	0	B	ST GR Y																																											73																																																																																																																																																																																																																																																																																																																																																																																																																																																																																																																																																																																																																																																																			
						73																																																																																																																																																																																																																																																																																																																																																																																																																																																																																																																																																																																																																																																																																																																																																																																																																																																																																																																																																																																																																																																																																																																																																																																																																																																																																																																																																																																																																																																																																																																																																																																																																																																																																																																																																																																																																								
SALEABLE	NOT APPLICABLE	34566-4963	9	A	BLACK	72				69		67	66	65		63								60					57	56									53																																							73																																															SALEABLE	NOT APPLICABLE	34566-4973	9	B	ST GR Y						68	67				64								59	58															54																																							73																																															SALEABLE	NOT APPLICABLE	34566-4983	0	B	ST GR Y	72				70		68		66										60	59					55	54	53								52		50																																				73																																															SALEABLE	NOT APPLICABLE	34566-4993	0	A	BLACK	72	71	70	69		67				64	63																										52	51		49																																				73																																															SALEABLE	NOT APPLICABLE	34566-5013	9	B	ST GR Y						68	67				64	63							59	58					55	54																																																	73																																																SALEABLE	NOT APPLICABLE	34566-5023	0	C	BLUE	72				70		68	67				63	62							59				57											53	52	51																																						73																																																SALEABLE	NOT APPLICABLE	34566-5033	0	A	BLACK					70	69					63	62	61	60								58	57	56	55	54	53										52	51		49																																					73																																																SALEABLE	NOT APPLICABLE	34566-5043	0	A	BLACK																																						73																																									SALEABLE	NOT APPLICABLE	34566-5053							0	B	ST GR Y																																					73																																																																																																																																																																																																																																																																																																																																																																																																																																																																																																																																																																																																																																																																																																																																																																
																																												73																																									SALEABLE	NOT APPLICABLE	34566-4973	9	B	ST GR Y						68	67				64								59	58																					54																																							73																																									SALEABLE	NOT APPLICABLE	34566-4983	0	B	ST GR Y	72				70		68		66										60	59					55	54	53														52		50																																				73																																									SALEABLE	NOT APPLICABLE	34566-4993	0	A	BLACK	72	71	70	69		67				64	63																																52	51		49																																				73																																										SALEABLE	NOT APPLICABLE	34566-5013	9	B	ST GR Y						68	67				64	63							59	58					55	54																																																							73																																										SALEABLE	NOT APPLICABLE	34566-5023	0	C	BLUE	72				70		68	67				63	62							59				57																	53	52	51																																						73																																										SALEABLE	NOT APPLICABLE	34566-5033	0	A	BLACK					70	69					63	62	61	60								58	57	56	55	54	53																52	51		49																																					73																																											SALEABLE	NOT APPLICABLE	34566-5043	0	A	BLACK																																												73																																									SALEABLE	NOT APPLICABLE	34566-5053	0	B	ST GR Y																																											73																																																																																																																																																																																																																																																																																																																																																																																																																																																																																																																																																																																																																																																																																																																																																																																																
						73																																																																																																																																																																																																																																																																																																																																																																																																																																																																																																																																																																																																																																																																																																																																																																																																																																																																																																																																																																																																																																																																																																																																																																																																																																																																																																																																																																																																																																																																																																																																																																																																																																																																																																																																																																																																																								
SALEABLE	NOT APPLICABLE	34566-4973	9	B	ST GR Y						68	67				64								59	58															54																																							73																																															SALEABLE	NOT APPLICABLE	34566-4983	0	B	ST GR Y	72				70		68		66										60	59					55	54	53								52		50																																				73																																															SALEABLE	NOT APPLICABLE	34566-4993	0	A	BLACK	72	71	70	69		67				64	63																										52	51		49																																				73																																															SALEABLE	NOT APPLICABLE	34566-5013	9	B	ST GR Y						68	67				64	63							59	58					55	54																																																	73																																																SALEABLE	NOT APPLICABLE	34566-5023	0	C	BLUE	72				70		68	67				63	62							59				57											53	52	51																																						73																																																SALEABLE	NOT APPLICABLE	34566-5033	0	A	BLACK					70	69					63	62	61	60								58	57	56	55	54	53										52	51		49																																					73																																																SALEABLE	NOT APPLICABLE	34566-5043	0	A	BLACK																																						73																																									SALEABLE	NOT APPLICABLE	34566-5053							0	B	ST GR Y																																					73																																																																																																																																																																																																																																																																																																																																																																																																																																																																																																																																																																																																																																																																																																																																																																																																																																																																																													
																																												73																																									SALEABLE	NOT APPLICABLE	34566-4983	0	B	ST GR Y	72				70		68		66										60	59					55	54	53								52								50																																				73																																									SALEABLE	NOT APPLICABLE	34566-4993	0	A	BLACK	72	71	70	69		67				64	63																																52	51		49																																				73																																										SALEABLE	NOT APPLICABLE	34566-5013	9	B	ST GR Y						68	67				64	63							59	58					55	54																																																							73																																										SALEABLE	NOT APPLICABLE	34566-5023	0	C	BLUE	72				70		68	67				63	62							59				57																	53	52	51																																						73																																										SALEABLE	NOT APPLICABLE	34566-5033	0	A	BLACK					70	69					63	62	61	60								58	57	56	55	54	53																52	51		49																																					73																																											SALEABLE	NOT APPLICABLE	34566-5043	0	A	BLACK																																												73																																									SALEABLE	NOT APPLICABLE	34566-5053	0	B	ST GR Y																																											73																																																																																																																																																																																																																																																																																																																																																																																																																																																																																																																																																																																																																																																																																																																																																																																																																																																																																																																														
						73																																																																																																																																																																																																																																																																																																																																																																																																																																																																																																																																																																																																																																																																																																																																																																																																																																																																																																																																																																																																																																																																																																																																																																																																																																																																																																																																																																																																																																																																																																																																																																																																																																																																																																																																																																																																																								
SALEABLE	NOT APPLICABLE	34566-4983	0	B	ST GR Y	72				70		68		66										60	59					55	54	53								52		50																																				73																																															SALEABLE	NOT APPLICABLE	34566-4993	0	A	BLACK	72	71	70	69		67				64	63																										52	51		49																																				73																																															SALEABLE	NOT APPLICABLE	34566-5013	9	B	ST GR Y						68	67				64	63							59	58					55	54																																																	73																																																SALEABLE	NOT APPLICABLE	34566-5023	0	C	BLUE	72				70		68	67				63	62							59				57											53	52	51																																						73																																																SALEABLE	NOT APPLICABLE	34566-5033	0	A	BLACK					70	69					63	62	61	60								58	57	56	55	54	53										52	51		49																																					73																																																SALEABLE	NOT APPLICABLE	34566-5043	0	A	BLACK																																						73																																									SALEABLE	NOT APPLICABLE	34566-5053							0	B	ST GR Y																																					73																																																																																																																																																																																																																																																																																																																																																																																																																																																																																																																																																																																																																																																																																																																																																																																																																																																																																																																																																																																																																											
						52		50																																				73																																									SALEABLE	NOT APPLICABLE	34566-4993	0	A	BLACK	72	71	70	69		67				64	63																																52	51		49																																				73																																										SALEABLE	NOT APPLICABLE	34566-5013	9	B	ST GR Y						68	67				64	63							59	58					55	54																																																							73																																										SALEABLE	NOT APPLICABLE	34566-5023	0	C	BLUE	72				70		68	67				63	62							59				57																	53	52	51																																						73																																										SALEABLE	NOT APPLICABLE	34566-5033	0	A	BLACK					70	69					63	62	61	60								58	57	56	55	54	53																52	51		49																																					73																																											SALEABLE	NOT APPLICABLE	34566-5043	0	A	BLACK																																												73																																									SALEABLE	NOT APPLICABLE	34566-5053	0	B	ST GR Y																																											73																																																																																																																																																																																																																																																																																																																																																																																																																																																																																																																																																																																																																																																																																																																																																																																																																																																																																																																																																																																																																																																											
						73																																																																																																																																																																																																																																																																																																																																																																																																																																																																																																																																																																																																																																																																																																																																																																																																																																																																																																																																																																																																																																																																																																																																																																																																																																																																																																																																																																																																																																																																																																																																																																																																																																																																																																																																																																																																																								
SALEABLE	NOT APPLICABLE	34566-4993	0	A	BLACK	72	71	70	69		67				64	63																										52	51		49																																				73																																															SALEABLE	NOT APPLICABLE	34566-5013	9	B	ST GR Y						68	67				64	63							59	58					55	54																																																	73																																																SALEABLE	NOT APPLICABLE	34566-5023	0	C	BLUE	72				70		68	67				63	62							59				57											53	52	51																																						73																																																SALEABLE	NOT APPLICABLE	34566-5033	0	A	BLACK					70	69					63	62	61	60								58	57	56	55	54	53										52	51		49																																					73																																																SALEABLE	NOT APPLICABLE	34566-5043	0	A	BLACK																																						73																																									SALEABLE	NOT APPLICABLE	34566-5053							0	B	ST GR Y																																					73																																																																																																																																																																																																																																																																																																																																																																																																																																																																																																																																																																																																																																																																																																																																																																																																																																																																																																																																																																																																																																																																																																																																																								
						52	51		49																																				73																																										SALEABLE	NOT APPLICABLE	34566-5013	9	B	ST GR Y						68	67				64	63							59	58					55	54																																																							73																																										SALEABLE	NOT APPLICABLE	34566-5023	0	C	BLUE	72				70		68	67				63	62							59				57											53							52	51																																						73																																										SALEABLE	NOT APPLICABLE	34566-5033	0	A	BLACK					70	69					63	62	61	60								58	57	56	55	54	53																52	51		49																																					73																																											SALEABLE	NOT APPLICABLE	34566-5043	0	A	BLACK																																												73																																									SALEABLE	NOT APPLICABLE	34566-5053	0	B	ST GR Y																																											73																																																																																																																																																																																																																																																																																																																																																																																																																																																																																																																																																																																																																																																																																																																																																																																																																																																																																																																																																																																																																																																																																																																																																																																										
						73																																																																																																																																																																																																																																																																																																																																																																																																																																																																																																																																																																																																																																																																																																																																																																																																																																																																																																																																																																																																																																																																																																																																																																																																																																																																																																																																																																																																																																																																																																																																																																																																																																																																																																																																																																																																																								
SALEABLE	NOT APPLICABLE	34566-5013	9	B	ST GR Y						68	67				64	63							59	58					55	54																																																	73																																																SALEABLE	NOT APPLICABLE	34566-5023	0	C	BLUE	72				70		68	67				63	62							59				57											53	52	51																																						73																																																SALEABLE	NOT APPLICABLE	34566-5033	0	A	BLACK					70	69					63	62	61	60								58	57	56	55	54	53										52	51		49																																					73																																																	SALEABLE	NOT APPLICABLE	34566-5043	0	A	BLACK																																						73																																									SALEABLE	NOT APPLICABLE	34566-5053							0	B	ST GR Y																																					73																																																																																																																																																																																																																																																																																																																																																																																																																																																																																																																																																																																																																																																																																																																																																																																																																																																																																																																																																																																																																																																																																																																																																																																																																																																																																							
																																													73																																										SALEABLE	NOT APPLICABLE	34566-5023	0	C	BLUE	72				70		68	67				63	62							59				57											53							52	51																																						73																																										SALEABLE	NOT APPLICABLE	34566-5033	0	A	BLACK					70	69					63	62	61	60								58	57	56	55	54	53																52	51		49																																					73																																											SALEABLE	NOT APPLICABLE	34566-5043	0	A	BLACK																																												73																																									SALEABLE	NOT APPLICABLE	34566-5053	0	B	ST GR Y																																											73																																																																																																																																																																																																																																																																																																																																																																																																																																																																																																																																																																																																																																																																																																																																																																																																																																																																																																																																																																																																																																																																																																																																																																																																																																																																																																																										
						73																																																																																																																																																																																																																																																																																																																																																																																																																																																																																																																																																																																																																																																																																																																																																																																																																																																																																																																																																																																																																																																																																																																																																																																																																																																																																																																																																																																																																																																																																																																																																																																																																																																																																																																																																																																																																								
SALEABLE	NOT APPLICABLE	34566-5023	0	C	BLUE	72				70		68	67				63	62							59				57											53	52	51																																						73																																																SALEABLE	NOT APPLICABLE	34566-5033	0	A	BLACK					70	69					63	62	61	60								58	57	56	55	54	53										52	51		49																																					73																																																	SALEABLE	NOT APPLICABLE	34566-5043	0	A	BLACK																																						73																																									SALEABLE	NOT APPLICABLE	34566-5053							0	B	ST GR Y																																					73																																																																																																																																																																																																																																																																																																																																																																																																																																																																																																																																																																																																																																																																																																																																																																																																																																																																																																																																																																																																																																																																																																																																																																																																																																																																																																																																																																																																																							
						52	51																																						73																																										SALEABLE	NOT APPLICABLE	34566-5033	0	A	BLACK					70	69					63	62	61	60								58	57	56	55	54	53																52	51		49																																					73																																											SALEABLE	NOT APPLICABLE	34566-5043	0	A	BLACK																																												73																																									SALEABLE	NOT APPLICABLE	34566-5053	0	B	ST GR Y																																											73																																																																																																																																																																																																																																																																																																																																																																																																																																																																																																																																																																																																																																																																																																																																																																																																																																																																																																																																																																																																																																																																																																																																																																																																																																																																																																																																																																																																																																																										
						73																																																																																																																																																																																																																																																																																																																																																																																																																																																																																																																																																																																																																																																																																																																																																																																																																																																																																																																																																																																																																																																																																																																																																																																																																																																																																																																																																																																																																																																																																																																																																																																																																																																																																																																																																																																																																								
SALEABLE	NOT APPLICABLE	34566-5033	0	A	BLACK					70	69					63	62	61	60								58	57	56	55	54	53										52	51		49																																					73																																																	SALEABLE	NOT APPLICABLE	34566-5043	0	A	BLACK																																						73																																									SALEABLE	NOT APPLICABLE	34566-5053							0	B	ST GR Y																																					73																																																																																																																																																																																																																																																																																																																																																																																																																																																																																																																																																																																																																																																																																																																																																																																																																																																																																																																																																																																																																																																																																																																																																																																																																																																																																																																																																																																																																																																																																																																																																							
						52	51		49																																					73																																											SALEABLE	NOT APPLICABLE	34566-5043	0	A	BLACK																																												73																																									SALEABLE	NOT APPLICABLE	34566-5053	0	B	ST GR Y																																											73																																																																																																																																																																																																																																																																																																																																																																																																																																																																																																																																																																																																																																																																																																																																																																																																																																																																																																																																																																																																																																																																																																																																																																																																																																																																																																																																																																																																																																																																																																																																																																																											
						73																																																																																																																																																																																																																																																																																																																																																																																																																																																																																																																																																																																																																																																																																																																																																																																																																																																																																																																																																																																																																																																																																																																																																																																																																																																																																																																																																																																																																																																																																																																																																																																																																																																																																																																																																																																																																								
SALEABLE	NOT APPLICABLE	34566-5043	0	A	BLACK																																						73																																									SALEABLE	NOT APPLICABLE	34566-5053	0	B							ST GR Y																																					73																																																																																																																																																																																																																																																																																																																																																																																																																																																																																																																																																																																																																																																																																																																																																																																																																																																																																																																																																																																																																																																																																																																																																																																																																																																																																																																																																																																																																																																																																																																																																																																																																																																																																										
						73																																																																																																																																																																																																																																																																																																																																																																																																																																																																																																																																																																																																																																																																																																																																																																																																																																																																																																																																																																																																																																																																																																																																																																																																																																																																																																																																																																																																																																																																																																																																																																																																																																																																																																																																																																																																																								
						SALEABLE	NOT APPLICABLE	34566-5053	0	B	ST GR Y																																					73																																																																																																																																																																																																																																																																																																																																																																																																																																																																																																																																																																																																																																																																																																																																																																																																																																																																																																																																																																																																																																																																																																																																																																																																																																																																																																																																																																																																																																																																																																																																																																																																																																																																																																																																																																														
73																																																																																																																																																																																																																																																																																																																																																																																																																																																																																																																																																																																																																																																																																																																																																																																																																																																																																																																																																																																																																																																																																																																																																																																																																																																																																																																																																																																																																																																																																																																																																																																																																																																																																																																																																																																																																														



### MX123 52/66/73/80-WAY RECEPTACLE ASSY SEALED PIN OUT SHEET

STATUS	GM PART #	HRNS CONN ASSY			TPA	GROMMET CAP																						
		MATERIAL/PART	WIRE DRESS OPTION	KEY OPTION	COLOR OPTION	NUMBERS INDICATE CAVITIES OPEN FOR CIRCUITS																						
		NUMBER																										
SALEABLE	NOT APPLICABLE	34566-5063	9	H	ST GRAY	80	79	78	77	76	75	74	73	72	71	70	69	68	67	66	65	64	63	62	61			
						60	59	58	57	56	55	54	53	52	51	50	49	48	47	46	45	44	43	42	41			
						40	39	38	37		35	34	33	32		30	29		27	26		24	23	22	21			
						20	19	18	17			14	13	12	11	10	9	8		6	5			3	2			
SALEABLE	NOT APPLICABLE	34566-5073	9	A	BLACK	72	71	70	69	68	67	66	65	64	63	62	61	60	59	58	57	56	55	54	53			
						52	51	50	49	48	47	46	45	44	43	42	41	40	39	38	37	36		34	33			
						73				32	31	30	29	28	27	26		24	23	22	21	20	19	18				
										16				13	12	11	10	9	8								1	
SALEABLE	NOT APPLICABLE	34566-5083	9	A	BLACK			70	69						63	62	61	60		58	57	56	55	54	53			
						52	51		49				44	43	42	41			38	37					34			
						73				32			29	28	27	26			23							19	18	
										16	15			13	12	11	10		8							3		
SALEABLE	NOT APPLICABLE	34566-5093	0	B	ST GRAY	72	71	70	69	68	67	66	65	64	63	62	61	60	59	58	57	56	55	54	53			
						52	51	50	49	48	47	46	45	44	43	42	41	40	39	38	37	36	35	34	33			
						73							29		27				23	22	21						18	
										16	15	14	13						8	7	6	5	4	3				
SALEABLE	NOT APPLICABLE	34566-5113	0	A	BLACK	72	71	70	69	68	67	66		64	63	62		60	59				55	54	53			
						52			49	48				44	43	42	41	40	39						35	34	33	
						73				32			29		27		25	24	23							19	18	17
										16				13	12	11		9	8	7	6	5	4	3	2	1		
SALEABLE	NOT APPLICABLE	34566-5123	9	C	BLUE	72		70		68	67	66			63	62		59		57				53				
						52	51			48	47	46	45	44			40	39	38	37	36				34	33		
						73				32		30			27	26	25	24		22	21	20						
												15	14			10	9	8		6	5	4				2		
SALEABLE	NOT APPLICABLE	34566-5133	9	B	ST GRAY	72	71	70		68	67	66			62	61	60	59	58	57	56	55	54	53				
						52	51	50		48	47	46			42	41	40	39	38	37	36	35	34	33				
						73				32	31	30	29	28	27	26	25	24	23									
										16	15	14	13			10	9	8										
SALEABLE	NOT APPLICABLE	34566-5143	0	C	BLUE	72		70		68	67	66			63	62		59		57				53				
						52	51			48	47	46		44		42		40	39		37	36			34	33		
						73				32		30				26	25	24		22	21	20						
												15	14			10	9	8		6	5	4				2		
SALEABLE	NOT APPLICABLE	34566-5153	0	A	BLACK			70	69						63	62	61	60		58	57	56	55	54	53			
						52	51		49		47			44	43	42	41			37	36	35	34	33				
						73				32			29	28	27	26	25								19	18		
										16	15			13	12	11	10									3		
SALEABLE	NOT APPLICABLE	34566-5163	9	A	BLACK	72			69		67		65		63			60			57	56			53			
									49		47			44	43			40			37	36	35			33		
						73					31	30	29	28				24			21	20					17	
										16	15	14				11	10				5	4	3	2	1			
SALEABLE	NOT APPLICABLE	34566-5173	9	B	ST GRAY					68	67			64	63			59		57								
												46	45		43			39		37								
						73				32		30	29	28	27						21							
																10				6	5	4	3					
SALEABLE	NOT APPLICABLE	34566-5183	0	B	ST GRAY					68	67			64				59	58				54					
												46	45	44				39	38									
						73				32		30	29	28	27				23	22							17	
														12		10		8									1	
SALEABLE	NOT APPLICABLE	34566-5193	0	A	BLACK			70	69						63	62	61	60		58	57	56	55	54	53			
						52	51		49					44	43	42	41			37	36				34			
						73				32			29	28	27	26										19	18	17
										16	15			13	12	11	10									3	2	1
SALEABLE	NOT APPLICABLE	34566-5213	0	A	BLACK	72	71	70	69	68	67	66	65	64	63	62	61	60	59				55	54	53			
						52			49	48				44	43	42	41	40	39						35	34	33	
						73				32			29		27		25	24	23							19	18	17
										16				13	12	11		9	8	7	6	5	4	3	2	1		
SALEABLE	NOT APPLICABLE	34566-5223	0	C	BLUE	72		70			67	66			63	62			59		57				53			
						52	51			48		46		44		42		40	39							34	33	
						73				32		30			27	26	25			22	21							
												15	14			10	9			6	5	4						

MX123 52/66/73/80-WAY RECEPTACLE ASSY SEALED PIN OUT SHEET

STATUS	GM PART #	HRNS CONN ASSY			TPA	GROMMET CAP																					
		MATERIAL/PART	WIRE DRESS OPTION	KEY OPTION Fp	COLOR OPTION Fp	NUMBERS INDICATE CAVITIES OPEN FOR CIRCUITS																					
		NUMBER				Fp																					
SALEABLE	NOT APPLICABLE	34566-5233	0	C	BLUE	72		70		68	67	66			63	62			59		57	56	55		53		
						52	51			48	47	46		44		42		40	39	38			22	21		19	18
						73						32		30				26	25				6	5	4	3	
SALEABLE	NOT APPLICABLE	34566-5243	0	C	BLUE	72	71	70	69	68	67	66	65		63	62	61		59	58	57	56	55	54	53		
							51	50	49	48		46	45	44	43	42	41	40	39	38			36	35	34	33	
						73						31	30	29	28	27	26	25			22	21	20	19	18	17	
SALEABLE	NOT APPLICABLE	34566-5253	0	B	ST GRAY						67	66			63			59	58	57	56	55		53			
								50	49	48		46	45		43			39	38	37	36	35	34	33			
						73								29	27				23	22	21				18		
SALEABLE	NOT APPLICABLE	34566-5263	0	B	ST GRAY							66			63			59	58	57	56	55		53			
								50	49	48		46	45		43			39	38	37	36	35	34	33			
						73						31	30	29	28	27			25	24						2	1
SALEABLE	NOT APPLICABLE	34566-5273	0	A	BLACK			70	69						63	62	61	60		58	57	56	55	54	53		
						52	51		49					44	43	42	41					37	36		34		
						73						32		29	28	27	26			23					19	18	
SALEABLE	NOT APPLICABLE	34566-5283	0	C	BLUE	72		70		68	67	66			63	62			59		57	56	55	54	53		
						52	51			48	47	46		44		42		40	39							34	33
						73						32		30				26	25			22	21		19	18	
SALEABLE	NOT APPLICABLE	34566-5293	0	A	BLACK			70	69						63	62	61	60		58	57	56	55	54	53		
						52	51		49					44	43	42	41	40				37	36		34		
						73						32		29	28	27	26							19	18	17	
SALEABLE	NOT APPLICABLE	34566-5313	0	C	BLUE	72		70		68	67	66			63	62			59		57	56	55		53		
						52	51			48	47	46		44		42		40	39	38	37	36			34	33	
						73						32		30			27	26	25	24		22	21		19	18	
SALEABLE	NOT APPLICABLE	34566-5323	0	G	BLUE	80		78	77		75	74	73	72		70	69		67		65	64	63	62			
						60		58	57		55	54		52	51	50	49		47		45						
						40		38	37					33	32	31			27	26	25	24					
SALEABLE	NOT APPLICABLE	34566-5333	0	A	BLACK	72	71	70		68	67	66	65	64	63	62		60	59							53	
							51		49	48	47	46	45	44	43		41	40									
						73								30	29	28		26	25	24				20			
SALEABLE	NOT APPLICABLE	34566-5343	0	B	ST GRAY					68	67			64				59	58					54			
												46	45					39	38								
						73						32		30	29	28	27			23	22						
SALEABLE	NOT APPLICABLE	34566-5353	9	B	ST GRAY					68	67			64	63			59	58			55	54				
												46	45	44	43			39	38				35	34			
						73						32		30	29	28	27			23	22			19			
SALEABLE	NOT APPLICABLE	34566-5363	0	C	BLUE	72		70		68		66			63	62			59		57				53		
						52	51			48	47	46		44		42		40	39	38						34	33
						73						32		30				26	25			22	21				
SALEABLE	NOT APPLICABLE	34566-5373	0	C	BLUE	72		70		68		66			63	62			59		57				53		
						52	51			48	47	46		44		42		40	39							34	33
						73						32		30				26	25			22	21				
SALEABLE	NOT APPLICABLE	34566-5383	0	C	BLUE	72		70		68		66			63	62			59		57				53		
						52	51			48	47	46		44		42		40	39			37	36			34	33
						73						32		30				26	25	24		22	21				

MX123 52/66/73/80-WAY RECEPTACLE ASSY SEALED PIN OUT SHEET

STATUS	GM PART #	HRNS CONN ASSY			TPA	GROMMET CAP																								
		MATERIAL/PART	WIRE DRESS OPTION	KEY OPTION	COLOR	NUMBERS INDICATE CAVITIES OPEN FOR CIRCUITS																								
		NUMBER	OPTION	Fp	Fp	Fp																								
SALEABLE	NOT APPLICABLE	34566-5393	0	A	BLACK	52	51	70	69															56	55	54	53			
									49						44	63	43	42	41								36		34	
						73				32																			19	18
SALEABLE	NOT APPLICABLE	34566-5413	0	A	BLACK	52	51	70	69																56	55	54	53		
									49						44	63	43	42	41								36		34	
						73				32																			19	18
SALEABLE	NOT APPLICABLE	34566-5423	0	A	BLACK	52	51	70	69																56	55	54	53		
									49						44	63	43	42	41								36		34	
						73				32																			19	18
SALEABLE	NOT APPLICABLE	34566-5433	9	B	ST GRY					68	67													59	58		54			
						73				32																				17
SALEABLE	NOT APPLICABLE	34566-5443	9	B	ST GRY					68	67													59	58		54			
						73				32																				17
SALEABLE	NOT APPLICABLE	34566-5453	0	B	ST GRY					68	67													59	58		54			
						73				32																				17
SALEABLE	NOT APPLICABLE	34566-5463	0	A	BLACK	72			70																					
						52			49																					
						73				16																				
SALEABLE	NOT APPLICABLE	34566-5473	0	A	BLACK	72	71	70		68	67	66	65	64	63	62		60	59						56			53		
						52	51			48	47	46	45	44	43	42	41	40												
						73				16																				17
SALEABLE	NOT APPLICABLE	34566-5483	0	B	ST GRY	72			70																					
						52			50	48		46																		
						73				32																				17
SALEABLE	NOT APPLICABLE	34566-5493	0	A	BLACK	72			70	69																				
						52	51		49																					
						73				16																				
SALEABLE	NOT APPLICABLE	34566-5513	9	B	ST GRY					68	67													58			55			
						73				32																				17
SALEABLE	NOT APPLICABLE	34566-5523	9	A	BLACK	72				69																				
									49																					
						73				16																				
SALEABLE	NOT APPLICABLE	34566-5533	9	B	ST GRY					68	67													59	58		54			
						73				32																				17
SALEABLE	NOT APPLICABLE	34566-5543	9	A	BLACK					68	67													59	58		54			
						73				32																				17
SALEABLE	NOT APPLICABLE	34566-5553	9	B	ST GRY					68	67													59	58		54			
						73				32																				17



MX123 52/66/73/80-WAY RECEPTACLE ASSY SEALED PIN OUT SHEET

STATUS	GM PART #	HRNS CONN ASSY			TPA	GROMMET CAP																							
		MATERIAL/PART	WIRE DRESS OPTION	KEY OPTION Fp		COLOR OPTION Fp	NUMBERS INDICATE CAVITIES OPEN FOR CIRCUITS																						
		NUMBER					Fp																						
SALEABLE	NOT APPLICABLE	34566-5563	0	A	BLACK	72	71	70	69					64	63			60	59	58	57	56	55	54	53				
						52	51		49	48	47		45	44	43	42	41								36	35	34	33	
						73				32		30		28		26										19	18	17	
						73				16	15			12		10										3	2	1	
SALEABLE	NOT APPLICABLE	34566-5573	0	C	BLUE	72		70		68		66			63	62		59	58	57	56	55		53					
						52	51		49	48	47	46		44		42		40	39	38	37	36		34	33				
						73				32		30				26	25	24	23	22	21	20	19	18	17				
						73					15	14	13			10	9	8	7	6	5	4			2	1			
SALEABLE	NOT APPLICABLE	34566-5583	0	B	ST GRAY	72		70		68		66		64	63		60	59					55	54	53				
						52		50		48		46				40	39							35	34	33			
						73				32	31	30	29	28	27	26	25	24	23			20						17	
						73										10		8	7		5	4			2	1			
SALEABLE	NOT APPLICABLE	34566-5593	0	C	BLUE	72		70		68		66			63	62		59		57			55	54	53				
						52	51			48	47	46		44		42		40	39						34	33			
						73				32		30				26	25		23	22	21								
						73					15	14				10	9		7	6	5	4							
SALEABLE	NOT APPLICABLE	34566-5613	0	C	BLUE	72		70		68					63	62		59	58	57				53					
						52	51			48	47			44		42		40	39		37	36			34	33			
						73				32		30			27	26	25	24	23	22	21	20						17	
						73					15	14	13					8	7	6	5	4			2	1			
SALEABLE	NOT APPLICABLE	34566-5623	0	C	BLUE	72		70		68					63	62		59		57				53					
						52	51			48	47			44		42		40	39		37	36			34	33			
						73				32		30			27	26	25	24	23	22	21	20							
						73					15	14	13					8	7	6	5	4			2				
SALEABLE	NOT APPLICABLE	34566-5633	0	B	ST GRAY	72									62	61													
						52				48		46		44	43		41	40						20	19	18			
						73						30												4					
						73				16	15	14																	
SALEABLE	NOT APPLICABLE	34566-5643	0	B	ST GRAY	72									62	61													
						52				48		46			43		41	40											
						73						30												20	19	18			
						73				16	15	14												4					
SALEABLE	NOT APPLICABLE	34566-5653	0	A	BLACK	72	71	70	69	68		66	65	64	63		61	60			57	56		54	53				
						52	51	50	49	48		46	45	44	43		40	39	38	37	36			34	33				
						73				32	31	30	29	28		26	25		23	22	21						2		
						73					15	14	13	12				9	7	6	5								
SALEABLE	NOT APPLICABLE	34566-5663	0	C	BLUE				69		67	66		64		62		60		57		55	54						
						52	51	50		48		46	45	44		42								37	35	34	33		
						73				32	31			28	27	26									19	18			
						73				16	15	14	13	12	11	10	9												
SALEABLE	NOT APPLICABLE	34566-5673	0	C	BLUE				69		67	66		64		61	60		57				54						
						52	51	50	49	48		46	45	44		41								37		34	33		
						73				32	31			28	27		25										18		
						73				16	15	14	13	12	11	10	9		8	7									
SALEABLE	NOT APPLICABLE	34566-5683	0	B	ST GRAY	72									62	61													
						52				48		46		44	43		41	40							20	19	18		
						73						30												4					
						73				16		14																	
SALEABLE	NOT APPLICABLE	34566-5693	0	A	BLACK	72	71	70	69	68		66	65	64	63		61	60			57	56		54	53				
						52	51	50	49	48		46	45	44	43		40	39	38	37	36			34	33				
						73				32	31	30	29	28		26	25		23	22	21	20							
						73					15	14	13	12				9	7	6	5	4					2		
SALEABLE	NOT APPLICABLE	34566-5713	0	C	BLUE				69		67	66		64		62		60		57		55	54						
						52	51	50		48		46	45	44		42								37	35	34	33		
						73				32	31			28	27	26									19	18	17		
						73				16	15	14	13	12	11	10	9	8	7										
SALEABLE	NOT APPLICABLE	34566-5723	0	C	BLUE				69		67	66		64		61	60		57				54						
						52	51	50	49	48		46	45	44		41								37		34	33		
						73					31			28	27		25										18		
						73				16	15	14	13	12	11	10	9	8	7										

MX123 52/66/73/80-WAY RECEPTACLE ASSY SEALED PIN OUT SHEET

STATUS	GM PART #	HRNS CONN ASSY			TPA	GROMMET CAP																												
		MATERIAL/PART	WIRE DRESS OPTION	KEY OPTION Fp	COLOR OPTION Fp	NUMBERS INDICATE CAVITIES OPEN FOR CIRCUITS																												
		NUMBER				Fp																												
SALEABLE	NOT APPLICABLE	34566-5733	0	A	BLACK	52	71	70	69					64	63			60	59	58	57	56	55	54	53									
							51		49				45	44	43	42	41								36		34							
						73				32		30		28		26											19	18						
SALEABLE	NOT APPLICABLE	34566-5743	0	A	BLACK	52	71	70	69					64	63			60	59		57	56	55	54	53									
							51		49				45	44	43	42	41								37	36		34						
						73				32		30		28		26												19	18					
SALEABLE	NOT APPLICABLE	34566-5753	0	A	BLACK	52	71	70	69					64	63			60	59		57	56	55	54	53									
							51		49				45	44	43	42	41									37	36		34					
						73				32		30		28		26												19	18					
SALEABLE	NOT APPLICABLE	34566-5763	0	C	BLUE	72		70		68		66			63	62			59	58	57					53								
						52	51			48	47	46		44		42		40	39								37	36		34	33			
						73				32		30			27	26	25	24											22	21	20			
SALEABLE	NOT APPLICABLE	34566-5773	0	C	BLUE	72		70		68		66			63	62			59	58	57					53								
						52	51			48	47			44		42		40	39									37	36		34	33		
						73				32		30			27	26	25	24												22	21	20		
SALEABLE	NOT APPLICABLE	34566-5783	0	C	BLUE	72		70		68		66			63	62			59	58	57					53								
						52	51			48	47			44		42		40	39										37	36		34	33	
						73				32		30			27	26	25	24													22	21	20	
SALEABLE	NOT APPLICABLE	34566-5793 SAME AS P/N 34566-4013	0	B	ST GRN	72		70		68		66				60	59									53								
						52		50		48		46				40	39												35	34	33			
						73				32	31	30	29	28	27	26	25	24																
SALEABLE	NOT APPLICABLE	34566-5813	0	B	ST GRN	72		70		68		66				60	59									53								
						52		50		48		46				40	39													35	34	33		
						73				32	31	30	29	28	27	26	25	24	23															
SALEABLE	NOT APPLICABLE	34566-5823	0	A	BLACK	72		70							63																			
						52			49						43		41																	
						73					31	30		28	27	26															23			20
SALEABLE	NOT APPLICABLE	34566-5833	0	A	BLACK	72		70							63																			
						52			49						43		41																	
						73					31	30		28	27	26																23		
SALEABLE	NOT APPLICABLE	34566-5843	0	H	ST GRN		79																											
							59		57				74	73	72	71			68	67			65	64	63	62	61							
								38					34	33					29	27			25											
SALEABLE	NOT APPLICABLE	34566-5853	0	H	ST GRN		79																											
							59		57				74	73	72	71			68	67			65	64	63	62	61							
								38					34	33					29	27			25											
SALEABLE	NOT APPLICABLE	34566-5863	0	C	BLUE	72		70				66			63	62			59		57	56	55		53									
						52	51					46		44		42		40	39											37	36		34	33
						73				32		30				26	25															22	21	
SALEABLE	NOT APPLICABLE	34566-5873	0	B	ST GRN																													
										48	47	46		44	43		41	40																
						73				16	15	14																					20	19
SALEABLE	NOT APPLICABLE	34566-5883	0	B	ST GRN	72										62	61																	
						52				48	47	46			43		41	40																
						73						30																						20

MX123 52/66/73/80-WAY RECEPTACLE ASSY SEALED PIN OUT SHEET

STATUS	GM PART #	HRNS CONN ASSY			TPA	GROMMET CAP																							
		MATERIAL/PART	WIRE DRESS OPTION	KEY OPTION Fp	COLOR OPTION Fp	NUMBERS INDICATE CAVITIES OPEN FOR CIRCUITS																							
		NUMBER				Fp																							
SALEABLE	NOT APPLICABLE	34566-5893	0	C	BLUE				69		67	66				62		60			57		55	54					
						52	51	50		48		46	45	44		42								37		35	34	33	
						73				32				28	27	26											19	18	
SALEABLE	NOT APPLICABLE	34566-5913	0	C	BLUE				69		67	66				61	60			57			54						
						52	51	50	49	48		46	45	44		41								37		34	33		
						73				32				28	27	25												18	
SALEABLE	NOT APPLICABLE	34566-5933	0	C	BLUE	72			70		68		66			63	62			59		57	56	55		53			
						52	51			48	47	46		44		42		40	39								34	33	
						73				32		30				26	25		23	22	21								
SALEABLE	NOT APPLICABLE	34566-5943	0	C	BLUE				69		67	66				61	60			57			54						
						52	51		49	48	47	46		44		42		40	39								34	33	
						73				32		30				27	26	25			22	21	20						
SALEABLE	NOT APPLICABLE	34566-5953	0	A	BLACK		71	70	69					65	64	63	62	61	60			58	57	56	55	54	53		
						52	51		49	48	47		45	44	43	42	41								37	36		34	
						73				32		30	29	28	27	26												19	18
SALEABLE	NOT APPLICABLE	34566-5963	0	B	ST GRAY	72	71	70			68	67	66			63	62	61	60	59	58	57	56	55	54	53			
						52	51	50		48	47	46				42	41	40	39	38	37	36	35	34	33				
						73				32	31	30	29	28	27	26	25	24											18
SALEABLE	NOT APPLICABLE	34566-5973	0	C	BLUE				69		67	66				61	60			57			54						
						52	51			48	47	46		44		42		40	39								34	33	
						73				32		30				27	26	25		22	21						19	18	
SALEABLE	NOT APPLICABLE	34566-5983	0	C	BLUE				69		67	66			64		62		60			57		55	54				
						52	51	50		48		46	45	44		42										35	34	33	
						73				32				28	27	26												19	18
SALEABLE	NOT APPLICABLE	34566-5993	0	A	BLACK		71	70	69					65	64	63	62	61	60			58	57	56	55	54	53		
						52	51	50	49	48	47		45	44	43	42	41	40	39						37	36	35	34	
						73				32	31	30	29	28	27	26	25	24	23							21	20	19	18
SALEABLE	NOT APPLICABLE	34566-6013	0	B	ST GRAY				69		67		65				61	60	59	58	57			54	53				
							51	50	49	48	47	46	45		43			40	39								34	33	
						73				32	31	30	29			26		24	23	22	21	20							18
SALEABLE	NOT APPLICABLE	34566-6023	0	A	BLACK	72	71	70	69		68	67				63	62	61	60	59	58	57	56		54	53			
						52	51	50	49	48	47		45	44	43			40	39	38	37	36	35	34	33				
						73				32	31	30	29	28				24	23	22	21	20	19					17	
SALEABLE	NOT APPLICABLE	34566-6033	0	A	BLACK				70	69					63	62	61			58	57	56	55	54	53				
						52	51		49	48			44	43	42	41									37	36		34	
						73				32			29	28	27	26											21	19	18
SALEABLE	NOT APPLICABLE	34566-6043	0	B	ST GRAY						68	67	66	65	64					58			55						
												46	45													38		35	
						73				32		30	29	28	27													19	
SALEABLE	NOT APPLICABLE	34566-6053	0	B	ST GRAY						68	67	66	65	64					58			55						
						72				48	47	46			43		41	40									19	18	
						73				32		30																4	
SALEABLE	NOT APPLICABLE	34566-6063	0	C	BLUE				69		67	66			64		62		60			57		55	54				
						52	51	50		48		46	45	44		42										37	35	34	33
						73				32				28	27	26													19

MX123 52/66/73/80-WAY RECEPTACLE ASSY SEALED PIN OUT SHEET

STATUS	GM PART #	HRNS CONN ASSY			TPA	GROMMET CAP																				
		MATERIAL/PART	WIRE DRESS OPTION	KEY OPTION Fp		COLOR OPTION Fp	NUMBERS INDICATE CAVITIES OPEN FOR CIRCUITS																			
		NUMBER					Fp																			
SALEABLE	NOT APPLICABLE	34566-6073	0	C	BLUE	52	51	50	69	48	67	66	45	64		61	60		57			54				
									49				44			41							34	33		
						73				32				28	27		25							18	17	
SALEABLE	NOT APPLICABLE	34566-6083	0	C	BLUE	72		70		68	67	66			63	62		59		57			53			
						52	51			48	47	46		44		42		40	39		37	36		34	33	
						73				32		30				26	25			22	21					
SALEABLE	NOT APPLICABLE	34566-6093	0	B	ST GRAY	72		70			67				63	62	61	60	59							
						52						46			43		41	40								
						73									27							20	19	18		
SALEABLE	NOT APPLICABLE	34566-6113	0	A	BLACK	72	71	70	69	68		66	65	64	63	62	61	60		58	57	56	55	54	53	
						52	51	50	49	48		46	45	44	43	42	41	40	39	38	37	36		34	33	
						73				32	31	30	29	28	27	26	25		23	22	21	20	19	18		
SALEABLE	NOT APPLICABLE	34566-6123	0	C	BLUE				69		67	66		64		62		60		57			54			
						52	51	50		48		46	45	44		42					37			34	33	
						73								28	27	26										
SALEABLE	NOT APPLICABLE	34566-6133	9	C	BLUE	72		70		68	67				63	62		59		57			53			
						52	51			48	47			44		42		40	39	38	37	36		34	33	
						73				32		30				26	25	24		22	21					
SALEABLE	NOT APPLICABLE	34566-6173	9	B	ST GRAY					67	66															
										48	47				41											
						73				32	31	30	29		27	26	25	24		22	21		19	18	17	
SALEABLE	NOT APPLICABLE	34566-6183	9	A	BLACK						66															
										48	47				41											
						73				32	31	30	29		27	26	25	24		22	21		19	18	17	
SALEABLE	NOT APPLICABLE	34566-6193	9	B	ST GRAY	72	71	70	69	68	67	66	65	64		62	61	60	59	58	57	56	55	54		
						52	51	50	49			46		44			41	40		38	37	36				
						73				32	31	30	29	28	27	26	25	24		21	20		18	17		
SALEABLE	NOT APPLICABLE	34566-6213	9	A	BLACK						67	66														
										48	47				41											
						73				32	31	30	29		27	26	25	24		22	21		19	18	17	
SALEABLE	NOT APPLICABLE	34566-6223	9	C	BLUE	72		70		68		66			63	62		59		57			53			
						52	51			48	47	46		44			40	39						34	33	
						73				32		30			27	26	25			22	21	20				
SALEABLE	NOT APPLICABLE	34566-6233	9	B	ST GRAY						67	66														
										48		46				40	39					35	34	33		
						73				32	31	30	29	28	27	26	25	24							2	1
SALEABLE	NOT APPLICABLE	34566-6243	9	A	BLACK		71	70	69					64	63		60	59	58	57	56	55	54	53		
						52	51	50	49				45	44	43	42	41		39		37	36		34		
						73				32		30		28		26								19	18	
SALEABLE	NOT APPLICABLE	34566-6253	9	C	BLUE						67	66														
						72		70		68	67	66			63	62		59		57					53	
						52	51		49	48	47	46		44			40	39		37	36			34	33	
SALEABLE	NOT APPLICABLE	34566-6263	9	B	ST GRAY						67	66														
										48	47	46				40	39		37	36		35	34	33		
						73				32	31	30	29	28	27	26	25	24							18	17



MX123 52/66/73/80-WAY RECEPTACLE ASSY SEALED PIN OUT SHEET

STATUS	GM PART #	HRNS CONN ASSY			TPA	GROMMET CAP																						
		MATERIAL/PART	WIRE DRESS OPTION	KEY OPTION Fp	COLOR OPTION Fp	NUMBERS INDICATE CAVITIES OPEN FOR CIRCUITS																						
		NUMBER				Fp																						
SALEABLE	NOT APPLICABLE	34566-6273	9	B	ST GRAY	71	70	69				65	64	63	62	61	60		58	57	56	55	54	53				
						52	51	50	49	48	47		45	44	43	42	41		39							34	33	
						73			32		30	29	28	27	26			24								19	18	
SALEABLE	NOT APPLICABLE	34566-6283	9	C	BLUE	72		70		68	67	66			63	62			59		57				53			
						52	51			48	47	46		44				40	39							34	33	
						73			32		30			27	26	25			22	21								
SALEABLE	NOT APPLICABLE	34566-6293	9	B	ST GRAY	72	71	70		68	67	66			62	61	60	59	58	57	56	55	54	53				
						52	51	50		48	47	46			42	41	40	39	38	37	36	35	34	33				
						73			32	31	30	29	28	27	26	25	24											17
SALEABLE	NOT APPLICABLE	34566-6313	9	B	ST GRAY			70	69					63	62	61	60		58	57	56	55	54	53				
						52	51	50	49					44	43	42	41		39		37	36				34		
						73			32			29	28	27	26											19	18	
SALEABLE	NOT APPLICABLE	34566-6323	9	B	ST GRAY		71	70	69					64	63			60	59	58	57	56	55	54	53			
						52	51	50	49				45	44	43	42	41		39		37	36					34	
						73			32		30		28		26												19	18
SALEABLE	NOT APPLICABLE	34566-6333	9	C	BLUE	72		70		68	67	66			63	62			59		57	56	55	54	53			
						52	51			48	47	46		44				40	39								34	33
						73			32		30			27	26	25			22	21						19	18	
SALEABLE	NOT APPLICABLE	34566-6343	9	A	BLACK			70	69					63	62	61	60		58	57	56	55	54	53				
						52	51	50	49				44	43	42	41	40	39		37	36					34		
						73			32			29	28	27	26												19	18
SALEABLE	NOT APPLICABLE	34566-6353	9	C	BLUE	72		70		68		66			63	62			59	58	57	56	55	54	53			
						52	51			48	47	46		44				40	39								34	33
						73			32		30			27	26	25			23	22	21	20						17
SALEABLE	NOT APPLICABLE	34566-6363	9	B	ST GRAY	72		70		68		66					60	59						55	54	53		
						52		50		48		46						40	39							35	34	33
						73			32	31	30	29	28	27	26	25	24	23								19	18	17
SALEABLE	NOT APPLICABLE	34566-6373	9	A	BLACK			70	69					64	63			60	59	58	57	56	55	54	53			
						52	51	50	49		47		45	44	43	42	41	40	39		37	36					34	
						73			32		30		28		26			23		21							19	18
SALEABLE	NOT APPLICABLE	34566-6383	9	A	BLACK	72	71	70	69	68		66	65	64	63		61	60			57	56			54	53		
						52	51	50	49	48		46	45	44	43	42	41	40	39	38	37	36					34	33
						73			32	31	30	29	28					23	22	21								
SALEABLE	NOT APPLICABLE	34566-6393	9	C	BLUE		71	70	69		67	66	65	64		62	61	60		58	57			55	54			
						52	51	50	49	48	47	46	45	44		42	41		38	37						35	34	33
						73			32			28	27	26	25												19	18
SALEABLE	NOT APPLICABLE	34566-6413	9	B	ST GRAY	72				68	67				63	62	61	60	59					55				
						52				48	47	46		44	43		41	40		38	37	36	35					
						73					30			27												20	19	18
SALEABLE	NOT APPLICABLE	34566-6423	9	C	BLUE			70	69		67	66	65	64										56	54			
						52	51	50	49		47	46	45	44				39	38								34	
						73					31	30	29	28		26	25		23	22	21							
SALEABLE	NOT APPLICABLE	34566-6433	9	A	BLACK	72		70			67				63			60	59	58	57	56	55					
						52	51			48	47	46			43	42		40	39	38	37	36	35					
						73								28	27												18	17

MX123 52/66/73/80-WAY RECEPTACLE ASSY SEALED PIN OUT SHEET

STATUS	GM PART #	HRNS CONN ASSY			TPA	GROMMET CAP																					
		MATERIAL/PART	WIRE DRESS OPTION	KEY OPTION Fp	COLOR OPTION Fp	NUMBERS INDICATE CAVITIES OPEN FOR CIRCUITS																					
		NUMBER				Fp																					
SALEABLE	NOT APPLICABLE	34566-6443	9	B	ST GRAY	72	71	70	69	68	67	66	65	64	63		61	60			57	56	55				
						52	51	50	49	48	47	46	45	44	43		26	25	24	23	22	21	20	19	18	17	
						73				32	31	30	29	28		11		9	8	7	6	5	4	3	2	1	
SALEABLE	NOT APPLICABLE	34566-6453	0	C	BLUE		71	70	69		67		65	64		62	61	60			57			54			
						52	51	50	49	48	47	46	45	44		42	41				37				34	33	
						73				32				28	27	26	25										18
SALEABLE	NOT APPLICABLE	34566-6463	0	B	ST GRAY	72				68	67					62	61							55			
						52				48	47	46			43												
						73						30													20	19	18
SALEABLE	NOT APPLICABLE	34566-6473	9	C	BLUE			70	69		67	66		64		62		60			57		55	54			
						52	51	50		48		46	45	44		42					37				35	34	33
						73				32				28	27	26											19
SALEABLE	NOT APPLICABLE	34566-6483	9	A	BLACK	72	71	70	69	68		66	65	64	63		61	60			57	56		54	53		
						52	51	50	49	48		46	45	44	43			40	39	38	37	36			34	33	
						73				32	31	30	29	28		26	25		23	22	21	20					2
SALEABLE	NOT APPLICABLE	34566-6493	9	B	ST GRAY	72			70							62	61							55			
						52				48	47	46			43			41	40								
						73						30													20	19	18
SALEABLE	NOT APPLICABLE	34566-6513	0	B	ST GRAY					68	67					62	61						55	54			
						52						46			43			40									
						73				16	15	14							8						4	3	2
SALEABLE	NOT APPLICABLE	34566-6523	0	B	ST GRAY					68	67			64					59	58			54				
						73				32		30	29	28	27				23	22							
											15		13		11	10					6						1
SALEABLE	NOT APPLICABLE	34566-6533	9	B	ST GRAY					68	67			64													
						73				32		30	29	28	27											17	
																10				7							1
SALEABLE	NOT APPLICABLE	34566-6543	9	A	BLACK	72	71	70	69	68		66	65	64	63		61	60			57	56		54	53		
						52	51	50	49	48		46	45	44	43			40	39	38	37	36			34	33	
						73				32	31	30	29	28		26	25		23	22	21	20					2
SALEABLE	NOT APPLICABLE	34566-6553	9	A	BLACK	72	71	70	69		67		64	63			60	59	58	57	56	55	54	53			
						52	51	50	49		47		45	44	43	42	41	40	39		37	36			34		
						73				32		30		28		26								19	18	17	
SALEABLE	NOT APPLICABLE	34566-6563	9	C	BLUE			70		68		66			63	62			59	58	57			53			
						52	51			48	47	46		44				40	39							34	33
						73				32		30			27	26	25		23	22	21	20					17
SALEABLE	NOT APPLICABLE	34566-6573	9	A	BLACK					68	67			64	63			60	59	58	57	56	55	54	53		
						52	51	50	49		47		45	44	43	42	41	40	39		37	36			34		
						73				32		30		28		26			23		21			19	18		
SALEABLE	NOT APPLICABLE	34566-6583	9	A	BLACK			70	69						63	62	61	60		58	57	56	55	54	53		
						52	51	50	49					44	43	42	41	40	39		37	36			34		
						73				32			29	28	27	26										19	18
SALEABLE	NOT APPLICABLE	34566-6593	0	C	BLUE				69		67			64		62		60			57		55	54			
						52	51	50		48		46	45	44		42					37			35	34	33	
						73				32				28	27	26								20	19	18	17

MX123 52/66/73/80-WAY RECEPTACLE ASSY SEALED PIN OUT SHEET

STATUS	GM PART #	HRNS CONN ASSY			TPA	GROMMET CAP																					
		MATERIAL/PART	WIRE DRESS OPTION	KEY OPTION Fp	COLOR OPTION Fp	NUMBERS INDICATE CAVITIES OPEN FOR CIRCUITS																					
		NUMBER				Fp																					
SALEABLE	NOT APPLICABLE	34566-6613	0	A	BLACK	72	71	70	69			66		64	63		61	60			57	56		54	53		
						52	51	50	49			46	45	44	43		26	25		23	22	21				34	33
						73				32	31	30	29	28			9		7	6	5						2
SALEABLE	NOT APPLICABLE	34566-6623	9	B	ST GRAY					68	67			64				59	58				54				
												46	45					39	38								
						73				32		30	29	28	27				23	22							
SALEABLE	NOT APPLICABLE	34566-6633	9	C	BLUE				69		67	66		64		62		60			57			54			
						52	51	50		48		46	45	44		42					37				34	33	
						73								28	27	26											
SALEABLE	NOT APPLICABLE	34566-6643	9	C	BLUE		71			68	67		65	64	63		61	60		58	57			54			
						52	51	50		48			45		43		41			38	37				34	33	
						73								28	27		25										18
SALEABLE	NOT APPLICABLE	34566-6653	9	B	ST GRAY	72				68						62	61	60	59					55			
						52				48	47	46		44	43		41	40		38	37	36	35				
						73						30										20	19	18			
SALEABLE	NOT APPLICABLE	34566-6663	9	A	BLACK					68			65	64	63		60			57	56			54			
						52	51	50	49	48		46	45	44	43	42		40	39	38	37	36			34		
						73				32	31	30	29	28		26	25		23	22	21	20					2
SALEABLE	NOT APPLICABLE	34566-6673	9	B	ST GRAY	72	71	70	69	68	67	66	65	64	63		61	60	59		57	56	55				
						52	51	50	49	48	47	46	45	44	43		41	40	39	38	37	36	35	34	33		
						73				32	31	30	29	28		26		24	23	22	21	20	19	18	17		
SALEABLE	NOT APPLICABLE	34566-6683	9	A	BLACK			70							63		60	59	58	57							
						52				48	47	46			43	42		40	39	38	37						
						73				32	31	30	29	28	27					22	21						2
SALEABLE	NOT APPLICABLE	34566-6693	9	C	BLUE	72	71	70	69		67	66	65	64						56				54			
						52	51	50	49		47	46	45	44					39	38					34		
						73						31	30	29	28		26	25	24	23	22	21					
SALEABLE	TBD	34822-0063	9	A	BLACK		63	62	61	60	59					54	53		51		49	66					
							47									38	37		35		33						
						65								28			25			22	21	20	19	18	17		
SALEABLE	NOT APPLICABLE	34566-6713	9	A	BLACK	72	71	70	69	68			66	65	64	63		61	60		57	56			54	53	
						52	51	50	49	48		46	45	44	43	42	41	40	39	38	37	36			34	33	
						73				32	31	30	29	28		26	25		23	22	21						2
SALEABLE	NOT APPLICABLE	34566-6723	0	H	ST GRAY		79						74	73					67		65	64	63	62	61		
							59							53	52						25		44	43	42	41	
								38						33						27							
SALEABLE	NOT APPLICABLE	34566-6733	0	G	BLUE				78	77		75	74		72		70				64	63					
						60		58	57		55	54		52	51	50	49		47		45						
						40	39	38	37				33	32	31				27	26							
SALEABLE	NOT APPLICABLE	34566-6743	9	C	BLUE																						
						52	51	50	69	68	67		65	64	63		61	60			57				34	33	
						73								28	27		25										
SALEABLE	NOT APPLICABLE	34566-6753	9	A	BLACK	72	71	70	69	68			66	65	64			61	60			57	56		54	53	
						52	51	50	49	48		46	45	44	43	42		40	39	38	37	36			34	33	
						73						31	30	29	28					23	22	21	20				2

MX123 52/66/73/80-WAY RECEPTACLE ASSY SEALED PIN OUT SHEET

STATUS	GM PART #	HRNS CONN ASSY			TPA	GROMMET CAP																									
		MATERIAL/PART	WIRE DRESS OPTION	KEY OPTION	COLOR	NUMBERS INDICATE CAVITIES OPEN FOR CIRCUITS																									
		NUMBER		OPTION	OPTION	Fp																									
SALEABLE	NOT APPLICABLE	34566-6763	9	B	ST GR	72				68												55									
						52		50	49					46	45												34				
						73									29							22	21	20	19	18					
										16				14							8			6	5	4					
SALEABLE	NOT APPLICABLE	34566-6773	0	C	BLUE	72			70	68					63	62					59	58	57		53						
						52	51			49	48	47	46			44				42		40	39			34	33				
						73				32			30					26	25			22	21			19	18	17			
											15	14							10	9			6	5	4			1			
SALEABLE	NOT APPLICABLE	34566-6783	0	B	ST GR	72			70	68										60	59			55	54	53					
						52		50			48		46			43				40	39					35	34	33			
						73				32	31	30	29	28	27	26	25	24	23									17			
										16									10			8	7					2	1		
SALEABLE	NOT APPLICABLE	34566-6793	0	B	ST GR	72			70	68					64	63					60	59			55	54	53				
						52		50			48		46			43				40	39					35	34	33			
						73				32	31	30	29	28	27	26	25	24	23							20		17			
										16									10			8	7			5	4	2	1		
SALEABLE	NOT APPLICABLE	34566-6813	9	A	BLACK		71	70	69	68	67				65	64	63	62	61	60			58	57	56	55	54	53			
						52	51	50	49	48	47			45	44	43	42	41	40	39					37	36		34			
						73				32			30	29	28	27	26	25	24							21			18		
										16	15	14	13	12	11	10	9	8								5		3			
SALEABLE	NOT APPLICABLE	34566-6823	9	C	BLUE	72			70	68	67						63	62					59		57		53				
						52	51			49	48	47	46			44					41	40	39			37	36	35	34	33	
						73				32			30				27	26	25	24					22	21	20				
											15	14	13					10	9	8					6	5	4		2		
SALEABLE	NOT APPLICABLE	34566-6833	0	A	BLACK			70	69																		53				
						52	51		49	48	47			44	43	42	41	40								37	36	34	33		
						73				32						28		26										19	18		
										16	15				12		10											3			
SALEABLE	NOT APPLICABLE	34566-6843	0	A	BLACK	72	71	70	69	68					66	65	64	63							57	56	54	53			
						52	51	50	49	48				46	45	44	43				40	39	38	37	36		34	33			
						73				32	31	30	29	28			26	25			23	22	21	20				17			
											15	14	13	12				9										2			
SALEABLE	NOT APPLICABLE	34566-6853	0	C	BLUE				69		67	66					62	61	60					57	56	55	54	53			
						52	51	50	49	48			46	45	44				42	41						37	36	35	34	33	
						73				32					28	27	26	25										19	18	17	
										16	15	14	13	12	11	10	9	8	7												
SALEABLE	NOT APPLICABLE	34566-6863	0	A	BLACK	72	71	70	69	68															57	56	54	53			
						52	51	50	49	48				46	45	44	43	42			40	39	38	37	36		34	33			
						73				32	31	30	29	28			26	25			23	22	21	20				17			
											15	14	13	12														2			
SALEABLE	NOT APPLICABLE	34566-6873	9	B	ST GR	72				68	67						63	62	61	60	59				55	54	53				
						52				48	47	46			44	43			41	40					38	37	36	35			
						73						30				27												20	19	18	17
										16	15	14						11				8					4		1		
SALEABLE	NOT APPLICABLE	34566-6883	9	A	BLACK	72			70		67										60	59	58	57	56	55					
						52	51			48	47	46				43	42			40	39	38	37	36	35						
						73										28	27											18	17		
																12	11			9								2	1		
SALEABLE	NOT APPLICABLE	34566-6893	0	B	ST GR	72	71	70	69	68	67	66	65	64	63	62	61	60	59					57	56	55	54	53			
						52	51	50	49	48	47	46	45	44	43				41	40	39	38	37	36	35	34	33				
						73				32	31	30	29	28			26			24	23	22	21	20	19	18	17				
										16	15	14	13	12	11				9	8	7	6	5	4	3	2	1				
SALEABLE	NOT APPLICABLE	34566-6913	9	A	BLACK	72	71	70	69	68	67	66	65	64	63					60	59	58	57	56	55	54					
						52	51	50	49	48	47	46	45	44	43	42			40	39	38	37	36	35	34						
						73				32	31	30	29	28	27	26	25			23	22	21	20				18	17			
										16	15	14	13	12	11				9			7	6	5	4		2	1			
SALEABLE	NOT APPLICABLE	34566-6923	9	C	BLUE	72	71	70	69		67	66	65	64					61	60			58	57	56	55	54				
						52	51	50	49	48	47	46	45	44						41		39	38	37			34	33			
						73				32	31	30	29	28	27	26	25	24	23	22	21							18	17		
										16	15	14	13	12	11				10	9	8	7	6	5				2	1		

MX123 52/66/73/80-WAY RECEPTACLE ASSY SEALED PIN OUT SHEET

STATUS	GM PART #	HRNS CONN ASSY			TPA	GROMMET CAP																																	
		MATERIAL/PART	WIRE DRESS OPTION	KEY OPTION Fp	COLOR OPTION Fp	NUMBERS INDICATE CAVITIES OPEN FOR CIRCUITS																																	
		NUMBER				<table border="1" style="width:100%; height:100%; text-align:center;"> <tr> <td colspan="19"></td> <td>Fp</td> </tr> </table>																																	
																			Fp																				
SALEABLE	NOT APPLICABLE	34566-6933	9	B	ST GR	72				68	67				63	62	61	60	59				55		53														
						52				48	47	46		44	43		41	40				38	37	36	35														
						73						30			27							22	21	20	19	18	17												
SALEABLE	NOT APPLICABLE	34566-6943	9	A	BLACK	72	71	70	69	68		66	65	64	63		61	60				57	56		54	53													
						52	51	50	49	48		46	45	44	43	42	41	40	39	38	37	36			34	33													
						73				32	31	30	29	28							23	22	21																
SALEABLE	NOT APPLICABLE	34566-6953	0	A	BLACK	72	71	70	69			66	65	64	63		61	60				57	56		54	53													
						52	51	50	49			46	45	44	43			40	39	38	37	36			34	33													
						73				32	31	30	29	28			26	25		23	22	21	20				2	1											
SALEABLE	NOT APPLICABLE	34566-6963	0	B	ST GR	72		70		68	67					62	61							55															
						52				48	47	46			43			40							20	19	18												
						73						30													8		4	2											
SALEABLE	NOT APPLICABLE	34566-6973	0	C	BLUE		71	70	69			67		65	64		62	61	60				57		55	54													
						52	51	50	49	48	47	46	45	44		42	41							37		35	34	33											
						73				32				28	27	26	25										19	18	17										
SALEABLE	NOT APPLICABLE	34566-6983	0	C	BLUE		71		69			67		65	64		62	61	60				57		55	54													
						52	51	50		48	47	46	45	44		42								37		35	34	33											
						73								28	27	26												18											
SALEABLE	NOT APPLICABLE	34566-6993	0	G	BLUE			78	77	76									67	66	65																		
						40	39	38	37	36	35	34	33	32				29	28					25			21												
						20	19	18	17	16	15	14	13	12													3	1											
SALEABLE	NOT APPLICABLE	34566-7013	9	A	BLACK		71	70	69					64	63	62	61	60	59	58	57	56	55	54	53														
						52	51	50	49				45	44	43	42	41		39							34													
						73				32			29	28	27	26											19	18											
SALEABLE	NOT APPLICABLE	34566-7023	0	A	BLACK	72	71	70	69	68		66	65	64			61	60				57	56		54	53													
						52	51	50	49	48		46	45	44	43			40	39	38	37	36			34	33													
						73						31	30	29	28			26	25		23	22	21	20															
SALEABLE	NOT APPLICABLE	34566-7033	0	A	BLACK			70	69					65		63	62	61	60			58	57	56	55	54	53												
						52	51		49					44	43	42	41							37	36		34												
						73				32			29	28	27	26								21			19	18											
SALEABLE	NOT APPLICABLE	34566-7043	0	B	ST GR					68	67				63	62	61	60	59					55															
						52						46			43		41	40																					
						73						16		14			11			8						20	19	18											
SALEABLE	NOT APPLICABLE	34566-7053	0	C	BLUE		71		69			67		65	64		62	61	60				57		54														
						52	51	50	49	48	47	46	45	44		42	41							37		34	33												
						73				16	15	14	13	12	11	10	9	8	7																				
SALEABLE	NOT APPLICABLE	34566-7063	0	C	BLUE	72		70		68	67	66			63	62			59			57			53														
						52	51			48	47	46		44				40	39							34	33												
						73				32		30				26	25					22	21																
SALEABLE	NOT APPLICABLE	34566-7073	9	F	NATURAL				69	68										58	57				33														
						73						30														19	18	17											
						73																					3	2	1										
SALEABLE	NOT APPLICABLE	34566-7083	9	B	ST GR																																		
						73				16	15	14	13	12	11	10			8	7						3	2	1											

MX123 52/66/73/80-WAY RECEPTACLE ASSY SEALED PIN OUT SHEET

Table with columns: STATUS, GM PART #, HRNS CONN ASSY (MATERIAL/PART NUMBER, WIRE DRESS OPTION, KEY OPTION Fp), TPA, COLOR OPTION Fp, GROMMET CAP, and NUMBERS INDICATE CAVITIES OPEN FOR CIRCUITS. It contains 17 rows of data, each with a grid of pin numbers and options.

MX123 52/66/73/80-WAY RECEPTACLE ASSY SEALED PIN OUT SHEET

STATUS	GM PART #	HRNS CONN ASSY			TPA	GROMMET CAP																											
		MATERIAL/PART	WIRE DRESS OPTION	KEY OPTION		COLOR OPTION	NUMBERS INDICATE CAVITIES OPEN FOR CIRCUITS																										
		NUMBER		Fp			Fp																										
SALEABLE	TBD	34822-0083	9	A	BLACK	63	62	61	60	59									54	53		51	49	66									
						47																											
						65										28									8	7			22	21	20	19	18
SALEABLE	NOT APPLICABLE	34566-7253	0	B	ST GRY	72													62	61													
						52										48	47	46															
						73																								20	19	18	
SALEABLE	NOT APPLICABLE	34566-7263	0	C	BLUE				69		67	66		64				62		60													
						52	51	50								48		46	45	44													
						73																											
SALEABLE	NOT APPLICABLE	34566-7273	0	C	BLUE				69		67	66		64				62		60													
						52	51	50								48		46	45	44													
						73																											
SALEABLE	NOT APPLICABLE	34566-7283	0	C	BLUE				69		67	66		64				62		60													
						52	51	50								48		46	45	44													
						73																											
SALEABLE	NOT APPLICABLE	34566-7293	9	A	BLACK	72	71	70	69		68	67	66	65	64	63								59									
						52	51	50	49																								
						73																											
SALEABLE	NOT APPLICABLE	34566-7313	0	B	ST GRY	72																											
						52																											
						73																											
SALEABLE	NOT APPLICABLE	34566-7333	9	B	ST GRY	72	71	70	69		68	67	66	65	64	63	62	61	60	59													
						52	51	50	49																								
						73																											
SALEABLE	NOT APPLICABLE	34566-7343	9	B	ST GRY																												
						52																											
						73																											
SALEABLE	NOT APPLICABLE	34566-7353	9	C	BLUE				69		67	66		64					62		60												
						52	51	50																									
						73																											
SALEABLE	NOT APPLICABLE	34566-7363	0	B	ST GRY	72		70			68																						
						52																											
						73																											
SALEABLE	NOT APPLICABLE	34566-7373	0	A	BLACK	72	71	70	69		68		66	65	64																		
						52	51	50	49																								
						73																											
SALEABLE	NOT APPLICABLE	34566-7383	0	C	BLUE		71	70																									
						52	51	50	49																								
						73																											
SALEABLE	NOT APPLICABLE	34566-7393	0	B	ST GRY	72																											
						52																											
						73																											
SALEABLE	NOT APPLICABLE	34566-7413	0	A	BLACK	72	71	70	69		68		66	65	64	63																	
						52	51	50	49																								
						73																											

MX123 52/66/73/80-WAY RECEPTACLE ASSY SEALED PIN OUT SHEET

STATUS	GM PART #	HRNS CONN ASSY			TPA	GROMMET CAP																					
		MATERIAL/PART	WIRE DRESS OPTION	KEY OPTION Fp	COLOR OPTION Fp	NUMBERS INDICATE CAVITIES OPEN FOR CIRCUITS																					
		NUMBER				Fp																					
SALEABLE	NOT APPLICABLE	34566-7423	0	C	BLUE	52	51	70	69	48	67			64		61	60			57			54	33			
						32				28	27			41												34	17
						73			16	15	14	13	12	11	10	9	8	7								18	
SALEABLE	NOT APPLICABLE	34566-7433	0	B	ST GRAY	72				68						62	61	60	59					55			
						52				48	47	46		44	43		41	40			38	37	36	35			
						73			16	15	14							8						20	19	18	17
SALEABLE	NOT APPLICABLE	34566-7443	0	A	BLACK	72	71	70	69	68		66	65	64	63			60			57	56		54			
						52	51	50	49	48		46	45	44	43	42		40	39	38	37	36			34		
						73				15	14	13	12			26	25		23	22	21	20					
SALEABLE	NOT APPLICABLE	34566-7453	0	C	BLUE		71	70			67	66	65	64			61	60			58	57		54			
						52	51	50	49	48	47		45	44			41			38	37				34	33	
						73			32				28	27			25									18	17
SALEABLE	NOT APPLICABLE	34566-7463	0	B	ST GRAY					68						62	61							55			
						52				48	47	46			43			40									
						73					30										22	21	20	19	18		
SALEABLE	NOT APPLICABLE	34566-7473	0	B	ST GRAY					68	67				63	62	61							55			
						52				48	47	46			43			40									
						73					30				27					22	21	20	19	18			
SALEABLE	NOT APPLICABLE	34566-7483	0	B	ST GRAY					68						62	61							55			
						52				48	47	46			43			40									
						73			16	15	14							8			22	21	20	19	18	17	
SALEABLE	NOT APPLICABLE	34566-7493	0	C	BLUE				69		67			64		62		60			57		55	54			
						52	51	50		48	47	46	45	44		42						37		35	34	33	
						73			32				28	27	26										19	18	17
SALEABLE	NOT APPLICABLE	34566-7513	9	A	BLACK	72	71	70	69	68		66	65	64	63		61	60			57	56		54	53		
						52	51	50	49	48		46	45	44	43			40	39	38	37	36			34	33	
						73			32	31	30	29	28						23	22	21	20					
SALEABLE	NOT APPLICABLE	34566-7523	0	A	BLACK									64		62	61			59	58	57	56	55	54		
						52	51			48	47	46	45		43		41	40				37					33
						73			32		30	29			27	26	25	24							20		
SALEABLE	NOT APPLICABLE	34566-7533	0	G	BLUE	80	79	78								71	70			67							
						60	59	58	57			54			51	50	49	48	47			45	44		42	41	
						40	39		37	36		34	33	32		30	29	28	27			25	24	23	22	21	
						20	19	18				13	12	11		9	8					5		3	2	1	
SALEABLE	NOT APPLICABLE	34566-7543 SAME AS P/N 34566-1553	0	A	BLACK																						
SALEABLE	NOT APPLICABLE	34566-7553 SAME AS P/N 34566-1983	0	B	ST GRAY																						
SALEABLE	NOT APPLICABLE	34566-7563 SAME AS P/N 34566-1993	0	C	BLUE																						
SALEABLE	NOT APPLICABLE	34566-7573	0	B	ST GRAY	72		70		68						62	61							55			
						52				48	47	46			43			40									
						73					30									22	21	20	19	18	17		



MX123 52/66/73/80-WAY RECEPTACLE ASSY SEALED PIN OUT SHEET

STATUS	GM PART #	HRNS CONN ASSY			TPA	GROMMET CAP																																																																																																																																																																																																																																																																																																																																																																																																																																																																																																																																																																																																																																																																																																																																																																																																																																																																																																																																																																																																																																																																																																																																																																																																																	
		MATERIAL/PART	WIRE DRESS OPTION	KEY OPTION Fp		COLOR OPTION Fp	NUMBERS INDICATE CAVITIES OPEN FOR CIRCUITS Fp																																																																																																																																																																																																																																																																																																																																																																																																																																																																																																																																																																																																																																																																																																																																																																																																																																																																																																																																																																																																																																																																																																																																																																																																																
		NUMBER																																																																																																																																																																																																																																																																																																																																																																																																																																																																																																																																																																																																																																																																																																																																																																																																																																																																																																																																																																																																																																																																																																																																																																																																																					
SALEABLE	NOT APPLICABLE	34566-7583	9	A	BLACK	72		70			67				63			60	59	58	57						52				48	47	46			43	42		40	39	38	37										73				32	31	30	29	28	27				9		7								2	1	SALEABLE	NOT APPLICABLE	34566-7593	9	A	BLACK	72		70	69	68				64		62	61		59	58	57	56	55	54	53			52	51	50		48	47	46	45		43		41	40			37				35				33	73				32		30	29		27	26	25	24				20	19	18							SALEABLE	TBD	34822-0093	9	A	BLACK	63	62	61		60	59				54	53		51		49	66					47								38	37		35		33										65							28					25			22	21	20	19	18	17				SALEABLE	TBD	34822-0103	0	A	BLACK	63					58	57	56	55	54	53		51		49	66					47						41	40		38	37		35		33									65							28	27	26	25				22			18	17						SALEABLE	TBD	34822-0113	9	A	BLACK				61	60	59	58		56	55			51		49	66										42																		65																				17				SALEABLE	NOT APPLICABLE	34822-0123	9	C	BLUE	64	63	62	61	60					55	54												48	47	46	45			42			39			36	35										65					31				27									19						SALEABLE	NOT APPLICABLE	34566-7613	9	H	ST GRY	80	79	78			75				71	70			67								60	59		57			54			51	50	49	48	47		45	44		42	41				40	39		37	36		34	33	32		30	29	28	27		25	24	23	22	21					SALEABLE	NOT APPLICABLE	34566-7623	9	G	BLUE	80	79	78			75				71	70			67								60	59	58	57			54			51	50	49	48	47		45	44		42	41				40	39		37	36		34	33	32		30	29	28	27		25	24	23	22	21					SALEABLE	TBD	34822-0133	0	C	BLUE	64	63	62	61	60					55	54												48	47	46	45			42			39			36	35										65					31				27									19						SALEABLE	NOT APPLICABLE	34566-7633	9	A	BLACK	72	71	70	69	68	67	66	65	64	63			60	59	58	57	56	55	54				52	51	50	49	48	47	46	45	44	43	42	41	40	39	38	37	36	35	34					73				32	31	30	29	28	27	26	25		23	22	21	20			18	17				SALEABLE	NOT APPLICABLE	34566-7643	9	B	ST GRY								46	45					39	38																													73				32		30	29	28	27					23	22								17	SALEABLE	TBD	34822-0143	0	A	BLACK				61	60	59	58		56	55			51		49	66										42																		65				32									10										2	SALEABLE	NOT APPLICABLE	34566-7653	0	B	ST GRY	72		70								62	61								55		52				48	47	46			43			40											73						30									22	21	20	19	18				SALEABLE	NOT APPLICABLE	34566-7663	0	B	ST GRY	72		70			68					62	61	60	59				55				52				48	47	46		44	43			41	40		38	37	36	35				33	73						30									22	21	20	19	18	17				SALEABLE	NOT APPLICABLE	34566-7673	0	C	BLUE		71	70	69		67	66	65	64			61	60	59	58	57			54			52	51	50	49	48	47	46	45	44			41		39	38	37					34	33		73				32					28	27			25	23																																																																								
						52				48	47	46			43	42		40	39	38	37										73				32	31	30	29	28	27				9		7								2	1	SALEABLE	NOT APPLICABLE	34566-7593	9	A	BLACK	72		70	69	68				64		62	61		59	58							57	56	55	54	53			52	51	50		48	47	46	45		43		41	40			37				35				33	73				32		30	29		27	26	25	24				20	19	18							SALEABLE	TBD	34822-0093	9	A	BLACK	63	62	61		60	59										54	53		51		49	66					47								38	37		35		33										65							28					25			22	21	20	19	18	17				SALEABLE	TBD	34822-0103	0	A	BLACK	63											58	57	56	55	54	53		51		49	66					47						41	40		38	37		35		33									65							28	27	26	25				22			18	17						SALEABLE	TBD	34822-0113							9	A	BLACK				61	60	59	58		56	55			51		49	66										42																		65																				17										SALEABLE	NOT APPLICABLE	34822-0123	9	C	BLUE	64	63	62	61	60					55	54												48	47	46	45			42			39			36	35										65					31				27															19						SALEABLE	NOT APPLICABLE	34566-7613	9	H	ST GRY	80	79	78			75				71	70			67								60	59		57			54			51	50	49	48	47		45	44		42	41				40	39		37	36		34	33	32								30	29	28	27		25	24	23	22	21					SALEABLE	NOT APPLICABLE	34566-7623	9	G	BLUE	80	79	78			75				71	70			67								60	59	58	57			54			51	50	49	48	47		45	44		42	41				40	39								37	36		34	33	32		30	29	28	27		25	24	23	22	21					SALEABLE	TBD	34822-0133	0	C	BLUE	64	63	62	61	60					55	54												48	47	46	45			42			39			36	35																65					31				27									19						SALEABLE	NOT APPLICABLE	34566-7633	9	A	BLACK	72	71	70	69	68	67	66	65	64	63			60	59	58	57	56	55	54				52	51	50	49	48	47	46	45	44	43	42	41	40	39							38	37	36	35	34					73				32	31	30	29	28	27	26	25		23	22	21	20			18	17				SALEABLE	NOT APPLICABLE	34566-7643	9	B	ST GRY								46	45					39	38																																			73				32		30	29	28	27					23	22								17	SALEABLE	TBD	34822-0143	0	A	BLACK				61	60	59	58		56	55			51		49	66																42																		65				32									10										2	SALEABLE	NOT APPLICABLE	34566-7653	0	B	ST GRY	72		70								62	61														55		52				48	47	46			43			40											73						30									22	21	20	19	18				SALEABLE	NOT APPLICABLE	34566-7663	0	B	ST GRY	72		70			68					62							61	60	59				55				52				48	47	46		44	43			41	40		38	37	36	35				33	73						30									22	21	20	19	18	17				SALEABLE	NOT APPLICABLE	34566-7673	0	C	BLUE		71	70	69		67	66	65	64			61	60	59	58	57			54			52	51	50	49	48	47	46	45	44			41		39	38	37					34	33		73				32					28	27			25	23									
						73				32	31	30	29	28	27				9		7								2	1																																																																																																																																																																																																																																																																																																																																																																																																																																																																																																																																																																																																																																																																																																																																																																																																																																																																																																																																																																																																																																																																																																																																																																																									
SALEABLE	NOT APPLICABLE	34566-7593	9	A	BLACK	72		70	69	68				64		62	61		59	58	57	56	55	54	53			52	51	50		48	47	46	45		43		41	40			37				35				33	73										32		30	29		27	26	25	24				20	19	18							SALEABLE	TBD	34822-0093	9	A	BLACK	63	62	61		60	59				54	53		51		49	66					47								38	37		35		33										65													28					25			22	21	20	19	18	17				SALEABLE	TBD	34822-0103	0	A	BLACK	63					58	57	56	55	54	53		51		49	66					47						41	40		38	37		35		33									65													28	27	26	25				22			18	17						SALEABLE	TBD	34822-0113	9	A	BLACK				61	60	59	58		56	55			51		49	66										42																		65																										17				SALEABLE	NOT APPLICABLE	34822-0123	9	C	BLUE	64	63	62	61	60					55	54												48	47	46	45			42			39			36	35										65					31				27															19						SALEABLE	NOT APPLICABLE	34566-7613	9	H	ST GRY	80	79	78			75				71	70			67								60	59		57			54			51	50	49	48	47		45	44		42	41				40	39		37	36		34	33	32		30	29							28	27		25	24	23	22	21					SALEABLE	NOT APPLICABLE	34566-7623	9	G	BLUE	80	79	78			75				71	70			67								60	59	58	57			54			51	50	49	48	47		45	44		42	41				40	39		37	36		34	33	32		30	29							28	27		25	24	23	22	21					SALEABLE	TBD	34822-0133	0	C	BLUE	64	63	62	61	60					55	54												48	47	46	45			42			39			36	35										65					31				27															19						SALEABLE	NOT APPLICABLE	34566-7633	9	A	BLACK	72	71	70	69	68	67	66	65	64	63			60	59	58	57	56	55	54				52	51	50	49	48	47	46	45	44	43	42	41	40	39	38	37	36	35	34					73				32	31	30	29	28	27	26							25		23	22	21	20			18	17				SALEABLE	NOT APPLICABLE	34566-7643	9	B	ST GRY								46	45					39	38																													73				32		30	29	28	27											23	22								17	SALEABLE	TBD	34822-0143	0	A	BLACK				61	60	59	58		56	55			51		49	66										42																		65				32															10										2	SALEABLE	NOT APPLICABLE	34566-7653	0	B	ST GRY	72		70								62	61								55		52				48	47	46			43			40											73						30															22	21	20	19	18				SALEABLE	NOT APPLICABLE	34566-7663	0	B	ST GRY	72		70			68					62	61	60	59				55				52				48	47	46		44	43			41	40		38	37	36	35				33	73						30															22	21	20	19	18	17				SALEABLE	NOT APPLICABLE	34566-7673	0	C	BLUE		71	70	69		67	66	65	64			61	60	59	58	57			54			52	51	50	49	48	47	46	45	44			41		39	38	37					34	33		73				32					28	27									25	23																																																																	
						52	51	50		48	47	46	45		43		41	40			37				35				33	73				32		30	29		27	26	25	24				20	19	18							SALEABLE	TBD	34822-0093	9	A	BLACK	63	62	61		60	59				54	53		51		49	66					47														38	37		35		33										65							28					25			22	21	20	19	18	17				SALEABLE	TBD	34822-0103	0	A	BLACK	63					58	57	56	55	54	53		51		49	66					47												41	40		38	37		35		33									65							28	27	26	25				22			18	17						SALEABLE	TBD	34822-0113	9	A	BLACK				61	60	59	58		56	55			51		49	66																42																		65																				17				SALEABLE	NOT APPLICABLE	34822-0123	9	C	BLUE	64	63	62	61	60					55	54																		48	47	46	45			42			39			36	35										65					31				27									19						SALEABLE	NOT APPLICABLE	34566-7613	9	H	ST GRY	80	79	78			75				71	70			67								60							59		57			54			51	50	49	48	47		45	44		42	41				40	39		37	36		34	33	32		30	29	28	27		25	24	23	22	21					SALEABLE	NOT APPLICABLE	34566-7623	9	G	BLUE	80	79	78			75				71	70			67								60							59	58	57			54			51	50	49	48	47		45	44		42	41				40	39		37	36		34	33	32		30	29	28	27		25	24	23	22	21					SALEABLE	TBD	34822-0133	0	C	BLUE	64	63	62	61	60					55	54																		48	47	46	45			42			39			36	35										65					31				27									19						SALEABLE	NOT APPLICABLE	34566-7633	9	A	BLACK	72	71	70	69	68	67	66	65	64	63			60	59	58	57	56	55	54										52	51	50	49	48	47	46	45	44	43	42	41	40	39	38	37	36	35	34					73				32	31	30	29	28	27	26	25		23	22	21	20			18	17				SALEABLE	NOT APPLICABLE	34566-7643	9	B	ST GRY								46	45					39	38																																			73				32		30	29	28	27					23	22								17	SALEABLE	TBD	34822-0143	0	A	BLACK				61	60	59	58		56	55			51		49	66																42																		65				32									10										2	SALEABLE	NOT APPLICABLE	34566-7653	0	B	ST GRY	72		70								62	61								55		52										48	47	46			43			40											73						30									22	21	20	19	18				SALEABLE	NOT APPLICABLE	34566-7663	0	B	ST GRY	72		70			68					62	61	60	59				55				52										48	47	46		44	43			41	40		38	37	36	35				33	73						30									22	21	20	19	18	17				SALEABLE	NOT APPLICABLE	34566-7673	0	C	BLUE		71	70	69		67	66	65	64			61	60	59	58	57			54			52							51	50	49	48	47	46	45	44			41		39	38	37					34	33		73				32					28	27			25	23																																																																																													
						73				32		30	29		27	26	25	24				20	19	18																																																																																																																																																																																																																																																																																																																																																																																																																																																																																																																																																																																																																																																																																																																																																																																																																																																																																																																																																																																																																																																																																																																																																																																															
SALEABLE	TBD	34822-0093	9	A	BLACK	63	62	61		60	59				54	53		51		49	66																																																																																																																																																																																																																																																																																																																																																																																																																																																																																																																																																																																																																																																																																																																																																																																																																																																																																																																																																																																																																																																																																																																																																																																																		
						47								38	37		35		33										65							28					25			22	21	20	19	18	17				SALEABLE	TBD	34822-0103	0	A	BLACK	63					58	57	56	55	54	53		51		49	66					47						41	40		38	37		35		33									65							28	27	26	25				22			18	17						SALEABLE	TBD	34822-0113	9	A	BLACK				61	60	59	58		56	55			51		49	66										42																		65																				17				SALEABLE	NOT APPLICABLE	34822-0123	9	C	BLUE	64	63	62	61	60					55	54												48	47	46	45			42			39			36	35										65					31				27									19						SALEABLE	NOT APPLICABLE	34566-7613	9	H	ST GRY	80	79	78			75				71	70			67								60	59		57			54			51	50	49	48	47		45	44		42	41				40	39		37	36		34	33	32		30	29	28	27		25	24	23	22	21					SALEABLE	NOT APPLICABLE	34566-7623	9	G	BLUE	80	79	78			75				71	70			67								60	59	58	57			54			51	50	49	48	47		45	44		42	41				40	39		37	36		34	33	32		30	29	28	27		25	24	23	22	21					SALEABLE	TBD	34822-0133	0	C	BLUE	64	63	62	61	60					55	54												48	47	46	45			42			39			36	35										65					31				27									19						SALEABLE	NOT APPLICABLE	34566-7633	9	A	BLACK	72	71	70	69	68	67	66	65	64	63			60	59	58	57	56	55	54				52	51	50	49	48	47	46	45	44	43	42	41	40	39	38	37	36	35	34					73				32	31	30	29	28	27	26	25		23	22	21	20			18	17				SALEABLE	NOT APPLICABLE	34566-7643	9	B	ST GRY								46	45					39	38																													73				32		30	29	28	27					23	22								17	SALEABLE	TBD	34822-0143	0	A	BLACK				61	60	59	58		56	55			51		49	66										42																		65				32									10										2	SALEABLE	NOT APPLICABLE	34566-7653	0	B	ST GRY	72		70								62	61								55		52				48	47	46			43			40											73						30									22	21	20	19	18				SALEABLE	NOT APPLICABLE	34566-7663	0	B	ST GRY	72		70			68					62	61	60	59				55				52				48	47	46		44	43			41	40		38	37	36	35				33	73						30									22	21	20	19	18	17				SALEABLE	NOT APPLICABLE	34566-7673	0	C	BLUE		71	70	69		67	66	65	64			61	60	59	58	57			54			52	51	50	49	48	47	46	45	44			41		39	38	37					34	33		73				32					28	27			25	23																																																																																																																																																																																																																																																						
						65							28					25			22	21	20	19	18	17																																																																																																																																																																																																																																																																																																																																																																																																																																																																																																																																																																																																																																																																																																																																																																																																																																																																																																																																																																																																																																																																																																																																																																																													
SALEABLE	TBD	34822-0103	0	A	BLACK	63					58	57	56	55	54	53		51		49	66																																																																																																																																																																																																																																																																																																																																																																																																																																																																																																																																																																																																																																																																																																																																																																																																																																																																																																																																																																																																																																																																																																																																																																																																		
						47						41	40		38	37		35		33									65							28	27	26	25				22			18	17						SALEABLE	TBD	34822-0113	9	A	BLACK				61	60	59	58		56	55			51		49	66										42																		65																				17				SALEABLE	NOT APPLICABLE	34822-0123	9	C	BLUE	64	63	62	61	60					55	54												48	47	46	45			42			39			36	35										65					31				27									19						SALEABLE	NOT APPLICABLE	34566-7613	9	H	ST GRY	80	79	78			75				71	70			67								60	59		57			54			51	50	49	48	47		45	44		42	41				40	39		37	36		34	33	32		30	29	28	27		25	24	23	22	21					SALEABLE	NOT APPLICABLE	34566-7623	9	G	BLUE	80	79	78			75				71	70			67								60	59	58	57			54			51	50	49	48	47		45	44		42	41				40	39		37	36		34	33	32		30	29	28	27		25	24	23	22	21					SALEABLE	TBD	34822-0133	0	C	BLUE	64	63	62	61	60					55	54												48	47	46	45			42			39			36	35										65					31				27									19						SALEABLE	NOT APPLICABLE	34566-7633	9	A	BLACK	72	71	70	69	68	67	66	65	64	63			60	59	58	57	56	55	54				52	51	50	49	48	47	46	45	44	43	42	41	40	39	38	37	36	35	34					73				32	31	30	29	28	27	26	25		23	22	21	20			18	17				SALEABLE	NOT APPLICABLE	34566-7643	9	B	ST GRY								46	45					39	38																													73				32		30	29	28	27					23	22								17	SALEABLE	TBD	34822-0143	0	A	BLACK				61	60	59	58		56	55			51		49	66										42																		65				32									10										2	SALEABLE	NOT APPLICABLE	34566-7653	0	B	ST GRY	72		70								62	61								55		52				48	47	46			43			40											73						30									22	21	20	19	18				SALEABLE	NOT APPLICABLE	34566-7663	0	B	ST GRY	72		70			68					62	61	60	59				55				52				48	47	46		44	43			41	40		38	37	36	35				33	73						30									22	21	20	19	18	17				SALEABLE	NOT APPLICABLE	34566-7673	0	C	BLUE		71	70	69		67	66	65	64			61	60	59	58	57			54			52	51	50	49	48	47	46	45	44			41		39	38	37					34	33		73				32					28	27			25	23																																																																																																																																																																																																																																																																																																																															
						65							28	27	26	25				22			18	17																																																																																																																																																																																																																																																																																																																																																																																																																																																																																																																																																																																																																																																																																																																																																																																																																																																																																																																																																																																																																																																																																																																																																																																															
SALEABLE	TBD	34822-0113	9	A	BLACK				61	60	59	58		56	55			51		49	66																																																																																																																																																																																																																																																																																																																																																																																																																																																																																																																																																																																																																																																																																																																																																																																																																																																																																																																																																																																																																																																																																																																																																																																																		
											42																		65																				17				SALEABLE	NOT APPLICABLE	34822-0123	9	C	BLUE	64	63	62	61	60					55	54												48	47	46	45			42			39			36	35										65					31				27									19						SALEABLE	NOT APPLICABLE	34566-7613	9	H	ST GRY	80	79	78			75				71	70			67								60	59		57			54			51	50	49	48	47		45	44		42	41				40	39		37	36		34	33	32		30	29	28	27		25	24	23	22	21					SALEABLE	NOT APPLICABLE	34566-7623	9	G	BLUE	80	79	78			75				71	70			67								60	59	58	57			54			51	50	49	48	47		45	44		42	41				40	39		37	36		34	33	32		30	29	28	27		25	24	23	22	21					SALEABLE	TBD	34822-0133	0	C	BLUE	64	63	62	61	60					55	54												48	47	46	45			42			39			36	35										65					31				27									19						SALEABLE	NOT APPLICABLE	34566-7633	9	A	BLACK	72	71	70	69	68	67	66	65	64	63			60	59	58	57	56	55	54				52	51	50	49	48	47	46	45	44	43	42	41	40	39	38	37	36	35	34					73				32	31	30	29	28	27	26	25		23	22	21	20			18	17				SALEABLE	NOT APPLICABLE	34566-7643	9	B	ST GRY								46	45					39	38																													73				32		30	29	28	27					23	22								17	SALEABLE	TBD	34822-0143	0	A	BLACK				61	60	59	58		56	55			51		49	66										42																		65				32									10										2	SALEABLE	NOT APPLICABLE	34566-7653	0	B	ST GRY	72		70								62	61								55		52				48	47	46			43			40											73						30									22	21	20	19	18				SALEABLE	NOT APPLICABLE	34566-7663	0	B	ST GRY	72		70			68					62	61	60	59				55				52				48	47	46		44	43			41	40		38	37	36	35				33	73						30									22	21	20	19	18	17				SALEABLE	NOT APPLICABLE	34566-7673	0	C	BLUE		71	70	69		67	66	65	64			61	60	59	58	57			54			52	51	50	49	48	47	46	45	44			41		39	38	37					34	33		73				32					28	27			25	23																																																																																																																																																																																																																																																																																																																																																																																																								
						65																				17																																																																																																																																																																																																																																																																																																																																																																																																																																																																																																																																																																																																																																																																																																																																																																																																																																																																																																																																																																																																																																																																																																																																																																																													
SALEABLE	NOT APPLICABLE	34822-0123	9	C	BLUE	64	63	62	61	60					55	54												48	47	46	45			42			39			36	35										65									31				27									19						SALEABLE	NOT APPLICABLE	34566-7613	9	H	ST GRY	80	79	78			75				71	70			67								60	59		57			54			51	50	49	48	47		45	44		42	41										40	39		37	36		34	33	32		30	29	28	27		25	24	23	22	21					SALEABLE	NOT APPLICABLE	34566-7623	9	G	BLUE	80	79	78			75				71	70			67								60	59	58	57			54			51	50	49	48	47		45							44		42	41				40	39		37	36		34	33	32		30	29	28	27		25	24	23	22	21					SALEABLE	TBD	34822-0133	0	C	BLUE	64	63	62	61	60					55	54												48	47	46	45			42									39			36	35										65					31				27									19						SALEABLE	NOT APPLICABLE	34566-7633	9	A	BLACK	72	71	70	69	68	67	66	65	64	63			60	59	58	57	56	55	54				52	51	50							49	48	47	46	45	44	43	42	41	40	39	38	37	36	35	34					73				32	31	30	29	28	27	26	25		23	22	21	20			18	17				SALEABLE	NOT APPLICABLE	34566-7643	9	B	ST GRY								46	45					39	38																																			73				32		30	29	28	27					23	22								17	SALEABLE	TBD	34822-0143	0	A	BLACK				61	60	59	58		56	55			51								49	66										42																		65				32									10										2	SALEABLE	NOT APPLICABLE	34566-7653	0	B	ST GRY	72		70														62	61								55		52				48	47	46			43			40											73						30									22	21	20	19	18				SALEABLE	NOT APPLICABLE	34566-7663	0	B	ST GRY	72								70			68					62	61	60	59				55				52				48	47	46		44	43			41	40		38	37	36	35				33	73						30									22	21	20	19	18	17				SALEABLE							NOT APPLICABLE	34566-7673	0	C	BLUE		71	70	69		67	66	65	64			61	60	59	58	57			54			52	51	50	49	48	47	46	45	44			41		39	38	37					34	33		73				32					28	27			25	23																																																																																																																																																																																																																																																																																																																																																																																																			
						48	47	46	45			42			39			36	35										65					31				27									19						SALEABLE	NOT APPLICABLE	34566-7613	9	H	ST GRY	80	79	78			75				71	70			67														60	59		57			54			51	50	49	48	47		45	44		42	41				40	39		37	36		34	33	32		30	29	28	27		25	24	23	22	21					SALEABLE	NOT APPLICABLE	34566-7623	9	G	BLUE	80	79	78			75				71	70			67														60	59	58	57			54			51	50	49	48	47		45	44		42	41				40	39		37	36		34	33	32		30	29	28	27		25	24	23	22	21					SALEABLE	TBD	34822-0133	0	C	BLUE	64	63	62	61	60					55	54																		48	47	46	45			42			39			36	35										65					31				27									19						SALEABLE	NOT APPLICABLE	34566-7633	9	A	BLACK	72	71	70	69	68	67	66	65	64	63			60	59	58	57	56	55	54										52	51	50	49	48	47	46	45	44	43	42	41	40	39	38	37	36	35	34					73				32	31	30	29	28	27	26	25		23	22	21	20			18	17				SALEABLE	NOT APPLICABLE	34566-7643	9	B	ST GRY								46	45					39	38																																			73				32		30	29	28	27					23	22								17	SALEABLE	TBD	34822-0143	0	A	BLACK				61	60	59	58		56	55			51		49	66																42																		65				32									10										2	SALEABLE	NOT APPLICABLE	34566-7653	0	B	ST GRY	72		70								62	61								55								52				48	47	46			43			40											73						30									22	21	20	19	18				SALEABLE	NOT APPLICABLE	34566-7663	0	B	ST GRY	72		70			68					62	61	60	59				55										52				48	47	46		44	43			41	40		38	37	36	35				33	73						30									22	21	20	19	18	17				SALEABLE	NOT APPLICABLE	34566-7673	0	C	BLUE		71	70	69		67	66	65	64			61	60	59	58	57			54				52	51	50	49	48						47	46	45	44			41		39	38	37					34	33		73				32					28	27			25	23																																																																																																																																																																																																																																																																																																																																																																																																																													
						65					31				27									19																																																																																																																																																																																																																																																																																																																																																																																																																																																																																																																																																																																																																																																																																																																																																																																																																																																																																																																																																																																																																																																																																																																																																																																															
SALEABLE	NOT APPLICABLE	34566-7613	9	H	ST GRY	80	79	78			75				71	70			67								60	59		57			54			51	50	49	48	47		45	44		42	41				40	39								37	36		34	33	32		30	29	28	27		25	24	23	22	21					SALEABLE	NOT APPLICABLE	34566-7623	9	G	BLUE	80	79	78			75				71	70			67								60	59	58	57			54			51	50	49	48	47		45	44		42	41				40	39								37	36		34	33	32		30	29	28	27		25	24	23	22	21					SALEABLE	TBD	34822-0133	0	C	BLUE	64	63	62	61	60					55	54												48	47	46	45			42			39			36	35										65									31				27									19						SALEABLE	NOT APPLICABLE	34566-7633	9	A	BLACK	72	71	70	69	68	67	66	65	64	63			60	59	58	57	56	55	54				52	51	50	49	48	47	46	45	44	43	42	41	40	39	38	37	36	35	34					73										32	31	30	29	28	27	26	25		23	22	21	20			18	17				SALEABLE	NOT APPLICABLE	34566-7643	9	B	ST GRY								46	45					39	38																													73				32								30	29	28	27					23	22								17	SALEABLE	TBD	34822-0143	0	A	BLACK				61	60	59	58		56	55			51		49	66										42																		65				32															10										2	SALEABLE	NOT APPLICABLE	34566-7653	0	B	ST GRY	72		70								62	61								55		52				48	47	46			43			40											73												30									22	21	20	19	18				SALEABLE	NOT APPLICABLE	34566-7663	0	B	ST GRY	72		70			68					62	61	60	59				55				52				48	47	46		44	43			41	40		38	37	36	35				33	73												30									22	21	20	19	18	17				SALEABLE	NOT APPLICABLE	34566-7673	0	C	BLUE		71	70	69		67	66	65	64			61	60	59	58	57			54			52	51	50	49	48	47	46	45	44			41		39	38	37					34	33		73				32											28	27			25	23																																																																																																																																																																																																																																																																																																																																																																																																																																																																																				
						60	59		57			54			51	50	49	48	47		45	44		42	41				40	39		37	36		34	33	32		30	29	28	27		25	24	23	22	21					SALEABLE	NOT APPLICABLE	34566-7623	9	G	BLUE	80	79	78			75				71	70			67														60	59	58	57			54			51	50	49	48	47		45	44		42	41				40	39		37	36		34	33	32		30	29	28	27		25	24	23	22	21					SALEABLE	TBD	34822-0133	0	C	BLUE	64	63	62	61	60					55	54																		48	47	46	45			42			39			36	35										65					31				27									19						SALEABLE	NOT APPLICABLE	34566-7633	9	A	BLACK	72	71	70	69	68	67	66	65	64	63			60	59	58	57	56	55	54										52	51	50	49	48	47	46	45	44	43	42	41	40	39	38	37	36	35	34					73				32	31	30	29	28	27	26	25		23	22	21	20			18	17				SALEABLE	NOT APPLICABLE	34566-7643	9	B	ST GRY								46	45					39	38																																			73				32		30	29	28	27					23	22								17	SALEABLE	TBD	34822-0143	0	A	BLACK				61	60	59	58		56	55			51		49	66															42																		65				32									10										2	SALEABLE	NOT APPLICABLE	34566-7653	0	B	ST GRY	72		70								62	61								55								52				48	47	46			43			40											73						30									22	21	20	19	18				SALEABLE	NOT APPLICABLE	34566-7663	0	B	ST GRY	72		70			68					62	61	60	59				55										52				48	47	46		44	43			41	40		38	37	36	35				33	73						30									22	21	20	19	18	17				SALEABLE	NOT APPLICABLE	34566-7673	0	C	BLUE		71	70	69		67	66	65	64			61	60	59	58	57			54									52	51	50	49	48	47	46	45	44			41		39	38	37					34	33		73				32					28	27			25	23																																																																																																																																																																																																																																																																																																																																																																																																																																																																																																														
						40	39		37	36		34	33	32		30	29	28	27		25	24	23	22	21																																																																																																																																																																																																																																																																																																																																																																																																																																																																																																																																																																																																																																																																																																																																																																																																																																																																																																																																																																																																																																																																																																																																																																																														
SALEABLE	NOT APPLICABLE	34566-7623	9	G	BLUE	80	79	78			75				71	70			67								60	59	58	57			54			51	50	49	48	47		45	44		42	41				40	39								37	36		34	33	32		30	29	28	27		25	24	23	22	21					SALEABLE	TBD	34822-0133	0	C	BLUE	64	63	62	61	60					55	54												48	47	46	45			42			39			36	35										65									31				27									19						SALEABLE	NOT APPLICABLE	34566-7633	9	A	BLACK	72	71	70	69	68	67	66	65	64	63			60	59	58	57	56	55	54				52	51	50	49	48	47	46	45	44	43	42	41	40	39	38	37	36	35	34					73										32	31	30	29	28	27	26	25		23	22	21	20			18	17				SALEABLE	NOT APPLICABLE	34566-7643	9	B	ST GRY								46	45					39	38																													73				32								30	29	28	27					23	22								17	SALEABLE	TBD	34822-0143	0	A	BLACK				61	60	59	58		56	55			51		49	66										42																		65				32															10										2	SALEABLE	NOT APPLICABLE	34566-7653	0	B	ST GRY	72		70								62	61								55		52				48	47	46			43			40											73												30									22	21	20	19	18				SALEABLE	NOT APPLICABLE	34566-7663	0	B	ST GRY	72		70			68					62	61	60	59				55				52				48	47	46		44	43			41	40		38	37	36	35				33	73												30									22	21	20	19	18	17				SALEABLE	NOT APPLICABLE	34566-7673	0	C	BLUE		71	70	69		67	66	65	64			61	60	59	58	57			54			52	51	50	49	48	47	46	45	44			41		39	38	37					34	33		73										32					28	27			25	23																																																																																																																																																																																																																																																																																																																																																																																																																																																																																																																																																																				
						60	59	58	57			54			51	50	49	48	47		45	44		42	41				40	39		37	36		34	33	32		30	29	28	27		25	24	23	22	21					SALEABLE	TBD	34822-0133	0	C	BLUE	64	63	62	61	60					55	54																		48	47	46	45			42			39			36	35										65					31				27									19						SALEABLE	NOT APPLICABLE	34566-7633	9	A	BLACK	72	71	70	69	68	67	66	65	64	63			60	59	58	57	56	55	54										52	51	50	49	48	47	46	45	44	43	42	41	40	39	38	37	36	35	34					73				32	31	30	29	28	27	26	25		23	22	21	20			18	17				SALEABLE	NOT APPLICABLE	34566-7643	9	B	ST GRY								46	45					39	38																																			73				32		30	29	28	27					23	22								17	SALEABLE	TBD	34822-0143	0	A	BLACK				61	60	59	58		56	55			51		49	66															42																		65				32									10										2	SALEABLE	NOT APPLICABLE	34566-7653	0	B	ST GRY	72		70								62	61								55								52				48	47	46			43			40											73						30									22	21	20	19	18				SALEABLE	NOT APPLICABLE	34566-7663	0	B	ST GRY	72		70			68					62	61	60	59				55										52				48	47	46		44	43			41	40		38	37	36	35				33	73						30									22	21	20	19	18	17				SALEABLE	NOT APPLICABLE	34566-7673	0	C	BLUE		71	70	69		67	66	65	64			61	60	59	58	57			54									52	51	50	49	48	47	46	45	44			41		39	38	37					34	33		73				32					28	27			25	23																																																																																																																																																																																																																																																																																																																																																																																																																																																																																																																																																																																														
						40	39		37	36		34	33	32		30	29	28	27		25	24	23	22	21																																																																																																																																																																																																																																																																																																																																																																																																																																																																																																																																																																																																																																																																																																																																																																																																																																																																																																																																																																																																																																																																																																																																																																																														
SALEABLE	TBD	34822-0133	0	C	BLUE	64	63	62	61	60					55	54												48	47	46	45			42			39			36	35										65									31				27									19						SALEABLE	NOT APPLICABLE	34566-7633	9	A	BLACK	72	71	70	69	68	67	66	65	64	63			60	59	58	57	56	55	54				52	51	50	49	48	47	46	45	44	43	42	41	40	39	38	37	36	35	34					73										32	31	30	29	28	27	26	25		23	22	21	20			18	17				SALEABLE	NOT APPLICABLE	34566-7643	9	B	ST GRY								46	45					39	38																													73				32								30	29	28	27					23	22								17	SALEABLE	TBD	34822-0143	0	A	BLACK				61	60	59	58		56	55			51		49	66										42																		65				32															10										2	SALEABLE	NOT APPLICABLE	34566-7653	0	B	ST GRY	72		70								62	61								55		52				48	47	46			43			40											73												30									22	21	20	19	18				SALEABLE	NOT APPLICABLE	34566-7663	0	B	ST GRY	72		70			68					62	61	60	59				55				52				48	47	46		44	43			41	40		38	37	36	35				33	73												30									22	21	20	19	18	17				SALEABLE	NOT APPLICABLE	34566-7673	0	C	BLUE		71	70	69		67	66	65	64			61	60	59	58	57			54			52	51	50	49	48	47	46	45	44			41		39	38	37					34	33		73										32					28	27			25	23																																																																																																																																																																																																																																																																																																																																																																																																																																																																																																																																																																																																																																																				
						48	47	46	45			42			39			36	35										65					31				27									19						SALEABLE	NOT APPLICABLE	34566-7633	9	A	BLACK	72	71	70	69	68	67	66	65	64	63			60	59	58	57	56	55	54										52	51	50	49	48	47	46	45	44	43	42	41	40	39	38	37	36	35	34					73				32	31	30	29	28	27	26	25		23	22	21	20			18	17				SALEABLE	NOT APPLICABLE	34566-7643	9	B	ST GRY								46	45					39	38																																			73				32		30	29	28	27					23	22								17	SALEABLE	TBD	34822-0143	0	A	BLACK				61	60	59	58		56	55			51		49	66																42																		65				32									10										2	SALEABLE	NOT APPLICABLE	34566-7653	0	B	ST GRY	72		70								62	61								55								52				48	47	46			43			40											73						30									22	21	20	19	18				SALEABLE	NOT APPLICABLE	34566-7663	0	B	ST GRY	72		70			68					62	61	60	59				55										52				48	47	46		44	43			41	40		38	37	36	35				33	73						30									22	21	20	19	18	17				SALEABLE	NOT APPLICABLE	34566-7673	0	C	BLUE		71	70	69		67	66	65	64			61	60	59	58	57			54									52	51	50	49	48	47	46	45	44			41		39	38	37					34	33		73				32					28	27			25	23																																																																																																																																																																																																																																																																																																																																																																																																																																																																																																																																																																																																																																																																														
						65					31				27									19																																																																																																																																																																																																																																																																																																																																																																																																																																																																																																																																																																																																																																																																																																																																																																																																																																																																																																																																																																																																																																																																																																																																																																																															
SALEABLE	NOT APPLICABLE	34566-7633	9	A	BLACK	72	71	70	69	68	67	66	65	64	63			60	59	58	57	56	55	54				52	51	50	49	48	47	46	45	44	43	42	41	40	39	38	37	36	35	34					73								32	31	30	29	28	27	26	25		23	22	21	20			18	17				SALEABLE	NOT APPLICABLE	34566-7643	9	B	ST GRY								46	45					39	38																													73				32								30	29	28	27					23	22								17	SALEABLE	TBD	34822-0143	0	A	BLACK				61	60	59	58		56	55			51		49	66										42																		65				32															10										2	SALEABLE	NOT APPLICABLE	34566-7653	0	B	ST GRY	72		70								62	61								55		52				48	47	46			43			40											73												30									22	21	20	19	18				SALEABLE	NOT APPLICABLE	34566-7663	0	B	ST GRY	72		70			68					62	61	60	59				55				52				48	47	46		44	43			41	40		38	37	36	35				33	73												30									22	21	20	19	18	17				SALEABLE	NOT APPLICABLE	34566-7673	0	C	BLUE		71	70	69		67	66	65	64			61	60	59	58	57			54			52	51	50	49	48	47	46	45	44			41		39	38	37					34	33		73				32											28	27			25	23																																																																																																																																																																																																																																																																																																																																																																																																																																																																																																																																																																																																																																																																																																																																					
						52	51	50	49	48	47	46	45	44	43	42	41	40	39	38	37	36	35	34					73				32	31	30	29	28	27	26	25		23	22	21	20			18	17				SALEABLE	NOT APPLICABLE	34566-7643	9	B	ST GRY								46	45					39	38																																			73				32		30	29	28	27					23	22								17	SALEABLE	TBD	34822-0143	0	A	BLACK				61	60	59	58		56	55			51		49	66																42																		65				32									10										2	SALEABLE	NOT APPLICABLE	34566-7653	0	B	ST GRY	72		70								62	61								55								52				48	47	46			43			40											73						30									22	21	20	19	18				SALEABLE	NOT APPLICABLE	34566-7663	0	B	ST GRY	72		70			68					62	61	60	59				55										52				48	47	46		44	43			41	40		38	37	36	35				33	73						30									22	21	20	19	18	17				SALEABLE	NOT APPLICABLE	34566-7673	0	C	BLUE		71	70	69		67	66	65	64			61	60	59	58	57			54									52	51	50	49	48	47	46	45	44			41		39	38	37					34	33		73				32					28	27			25	23																																																																																																																																																																																																																																																																																																																																																																																																																																																																																																																																																																																																																																																																																																																																																															
						73				32	31	30	29	28	27	26	25		23	22	21	20			18	17																																																																																																																																																																																																																																																																																																																																																																																																																																																																																																																																																																																																																																																																																																																																																																																																																																																																																																																																																																																																																																																																																																																																																																																													
SALEABLE	NOT APPLICABLE	34566-7643	9	B	ST GRY								46	45					39	38																													73										32		30	29	28	27					23	22								17	SALEABLE	TBD	34822-0143	0	A	BLACK				61	60	59	58		56	55			51		49	66										42																		65										32									10										2	SALEABLE	NOT APPLICABLE	34566-7653	0	B	ST GRY	72		70								62	61								55		52				48	47	46			43			40											73											30									22	21	20	19	18				SALEABLE	NOT APPLICABLE	34566-7663	0	B	ST GRY	72		70			68					62	61	60	59				55				52				48	47	46		44	43			41	40		38	37	36	35				33	73												30									22	21	20	19	18	17				SALEABLE	NOT APPLICABLE	34566-7673	0	C	BLUE		71	70	69		67	66	65	64			61	60	59	58	57			54			52	51	50	49	48	47	46	45	44			41		39	38	37					34	33		73										32					28	27			25	23																																																																																																																																																																																																																																																																																																																																																																																																																																																																																																																																																																																																																																																																																																																																																																																																																					
																													73				32		30	29	28	27					23	22								17	SALEABLE	TBD	34822-0143	0	A	BLACK				61	60	59	58		56	55			51		49	66																42																		65				32									10										2	SALEABLE	NOT APPLICABLE	34566-7653	0	B	ST GRY	72		70								62	61								55								52				48	47	46			43			40											73						30									22	21	20	19	18				SALEABLE	NOT APPLICABLE	34566-7663	0	B	ST GRY	72		70			68					62	61	60	59				55										52				48	47	46		44	43			41	40		38	37	36	35				33	73						30									22	21	20	19	18	17				SALEABLE	NOT APPLICABLE	34566-7673	0	C	BLUE		71	70	69		67	66	65	64			61	60	59	58	57			54									52	51	50	49	48	47	46	45	44			41		39	38	37					34	33		73				32					28	27			25	23																																																																																																																																																																																																																																																																																																																																																																																																																																																																																																																																																																																																																																																																																																																																																																																																																																														
						73				32		30	29	28	27					23	22								17																																																																																																																																																																																																																																																																																																																																																																																																																																																																																																																																																																																																																																																																																																																																																																																																																																																																																																																																																																																																																																																																																																																																																																																										
SALEABLE	TBD	34822-0143	0	A	BLACK				61	60	59	58		56	55			51		49	66																																																																																																																																																																																																																																																																																																																																																																																																																																																																																																																																																																																																																																																																																																																																																																																																																																																																																																																																																																																																																																																																																																																																																																																																		
											42																		65				32									10										2	SALEABLE	NOT APPLICABLE	34566-7653	0	B	ST GRY	72		70								62	61								55		52				48	47	46			43			40											73						30									22	21	20	19	18				SALEABLE	NOT APPLICABLE	34566-7663	0	B	ST GRY	72		70			68					62	61	60	59				55				52				48	47	46		44	43			41	40		38	37	36	35				33	73						30									22	21	20	19	18	17				SALEABLE	NOT APPLICABLE	34566-7673	0	C	BLUE		71	70	69		67	66	65	64			61	60	59	58	57			54			52	51	50	49	48	47	46	45	44			41		39	38	37					34	33		73				32					28	27			25	23																																																																																																																																																																																																																																																																																																																																																																																																																																																																																																																																																																																																																																																																																																																																																																																																																																																																																																																																															
						65				32									10										2																																																																																																																																																																																																																																																																																																																																																																																																																																																																																																																																																																																																																																																																																																																																																																																																																																																																																																																																																																																																																																																																																																																																																																																										
SALEABLE	NOT APPLICABLE	34566-7653	0	B	ST GRY	72		70								62	61								55		52				48	47	46			43			40											73											30									22	21	20	19	18				SALEABLE	NOT APPLICABLE	34566-7663	0	B	ST GRY	72		70			68					62	61	60	59				55				52				48	47	46		44	43			41	40		38	37	36	35										33	73						30									22	21	20	19	18	17				SALEABLE	NOT APPLICABLE	34566-7673	0	C	BLUE		71	70	69		67	66	65	64			61	60	59	58	57			54			52	51	50	49	48	47	46	45	44			41		39	38							37					34	33		73				32					28	27			25	23																																																																																																																																																																																																																																																																																																																																																																																																																																																																																																																																																																																																																																																																																																																																																																																																																																																																																																																																																																																			
						52				48	47	46			43			40											73						30									22	21	20	19	18				SALEABLE	NOT APPLICABLE	34566-7663	0	B	ST GRY	72		70			68					62	61	60	59				55										52				48	47	46		44	43			41	40		38	37	36	35				33	73						30									22	21	20	19	18	17				SALEABLE	NOT APPLICABLE	34566-7673	0	C	BLUE		71	70	69		67	66	65	64			61	60	59	58	57			54									52	51	50	49	48	47	46	45	44			41		39	38	37					34	33		73				32					28	27			25	23																																																																																																																																																																																																																																																																																																																																																																																																																																																																																																																																																																																																																																																																																																																																																																																																																																																																																																																																																																																																													
						73						30									22	21	20	19	18																																																																																																																																																																																																																																																																																																																																																																																																																																																																																																																																																																																																																																																																																																																																																																																																																																																																																																																																																																																																																																																																																																																																																																																														
SALEABLE	NOT APPLICABLE	34566-7663	0	B	ST GRY	72		70			68					62	61	60	59				55				52				48	47	46		44	43			41	40		38	37	36	35				33	73										30									22	21	20	19	18	17				SALEABLE	NOT APPLICABLE	34566-7673	0	C	BLUE		71	70	69		67	66	65	64			61	60	59	58	57			54			52	51	50	49	48	47	46	45	44			41		39	38	37					34	33		73										32					28	27			25	23																																																																																																																																																																																																																																																																																																																																																																																																																																																																																																																																																																																																																																																																																																																																																																																																																																																																																																																																																																																																																																																																			
						52				48	47	46		44	43			41	40		38	37	36	35				33	73						30									22	21	20	19	18	17				SALEABLE	NOT APPLICABLE	34566-7673	0	C	BLUE		71	70	69		67	66	65	64			61	60	59	58	57			54									52	51	50	49	48	47	46	45	44			41		39	38	37					34	33		73				32					28	27			25	23																																																																																																																																																																																																																																																																																																																																																																																																																																																																																																																																																																																																																																																																																																																																																																																																																																																																																																																																																																																																																																																																																												
						73						30									22	21	20	19	18	17																																																																																																																																																																																																																																																																																																																																																																																																																																																																																																																																																																																																																																																																																																																																																																																																																																																																																																																																																																																																																																																																																																																																																																																													
SALEABLE	NOT APPLICABLE	34566-7673	0	C	BLUE		71	70	69		67	66	65	64			61	60	59	58	57			54			52	51	50	49	48	47	46	45	44			41		39	38	37					34	33		73									32					28	27			25	23																																																																																																																																																																																																																																																																																																																																																																																																																																																																																																																																																																																																																																																																																																																																																																																																																																																																																																																																																																																																																																																																																																																																																		
						52	51	50	49	48	47	46	45	44			41		39	38	37					34	33		73				32					28	27			25	23																																																																																																																																																																																																																																																																																																																																																																																																																																																																																																																																																																																																																																																																																																																																																																																																																																																																																																																																																																																																																																																																																																																																																																												
						73				32					28	27			25	23																																																																																																																																																																																																																																																																																																																																																																																																																																																																																																																																																																																																																																																																																																																																																																																																																																																																																																																																																																																																																																																																																																																																																																																																			


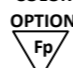

MX123 52/66/73/80-WAY RECEPTACLE ASSY SEALED PIN OUT SHEET

STATUS	GM PART #	HRNS CONN ASSY			TPA	GROMMET CAP																				
		MATERIAL/PART	WIRE DRESS OPTION	KEY OPTION Fp	COLOR OPTION Fp	NUMBERS INDICATE CAVITIES OPEN FOR CIRCUITS																				
		NUMBER				Fp																				
SALEABLE	NOT APPLICABLE	34566-7683	9	B	ST GRAY	72	71	70	69	68	67	66	65	64	63	62	61	60	59		57	56	55			
						52	51	50	49	48	47	46	45	44	43		26	25	24	23	22	21	20	19	18	17
						73				32	31	30	29	28		11		9	8	7	6	5	4	3	2	1
SALEABLE	NOT APPLICABLE	34566-7693	9	A	BLACK	72							64		62	61			57	56	55	54				
						52	51					46	45		43		40			37		35	34			
						73				32	31	30	29	27		25					20					
SALEABLE	NOT APPLICABLE	34566-7713	9	A	BLACK	72							64		62	61			58	57	56	55	54			
						52	51			48		46	45		43		41	40		37		35	34			
						73				32		30	29	27		25				20						
SALEABLE	NOT APPLICABLE	34566-7723	9	A	BLACK	72							64		62	61			57	56	55	54	53			
						52	51			48		46	45		43		41	40		37		35	34			
						73				32		30	29	27		25				20						
SALEABLE	NOT APPLICABLE	34566-7733	9	A	BLACK	72							64		62	61			57	56	55	54	53			
						52	51			48		46	45		43		41	40		37		35	34			
						73				32		30	29	27		25				20						
SALEABLE	NOT APPLICABLE	34566-7743	0	C	BLUE	72		70		68	67	66		64	63	62	61	60	59	57				53		
						52	51		49	48	47	46		44		41	40	39		37	36	35	34	33		
						73				32		30		27	26	25	24		22	21	20					
SALEABLE	NOT APPLICABLE	34566-7753	0	A	BLACK		71	70	69	68	67			64	63	62	61	60	59	58	57	56	55	54	53	
						52	51	50	49			45	44	43	42	41		39	38	37	36		34			
						73				32	31		29	28	27	26	25				19	18				
SALEABLE	NOT APPLICABLE	34566-7763	0	F	NATURAL																					
						73																				
SALEABLE	NOT APPLICABLE	34566-7773	0	B	ST GRAY	72		70							63	62	61	60	59							
						52						46			43		41	40								
						73									27					22	21	20	19	18		
SALEABLE	TBD	34822-0153	9	A	BLACK		63	62	61	60	59					54	53		51		49	66				
							47								38	37		35		33						
						65								28			25		22	21	20	19	18	17		
SALEABLE	NOT APPLICABLE	34566-7783	0	A	BLACK	72	71	70	69	68		66	65	64	63			60		57	56		54			
						52	51	50	49	48		46	45	44	43	42	41	40	39	38	37	36		34		
						73				32	31	30	29	28		26	25		23	22	21				2	1
SALEABLE	NOT APPLICABLE	34566-7793	0	A	BLACK	72		70			67	66	65		63			60	59	58	57	56	55			
						52	51		49	48	47	46	45		43	42		40	39	38	37	36	35			
						73								28	27			23	22	21				18	17	
SALEABLE	NOT APPLICABLE	34566-7813	0	A	BLACK			70	69	68	67				63	62	61	60	59	58	57	56	55	54	53	
						52	51	50	49					44	43	42	41	40	39	38	37	36		34		
						73				32			29	28	27	26	25			21		19	18			
SALEABLE	NOT APPLICABLE	34566-7823	0	B	ST GRAY					68	67				63	62	61	60	59							
						52				48	47	46		44	43		41	40		38	37	36	35			
						73						30			27					20	19	18				
SALEABLE	NOT APPLICABLE	34566-7833	0	B	ST GRAY	72	71	70	69	68	67	66	65	64	63		61	60	59		57	56	55			
						52	51	50	49	48	47	46	45	44	43		41	40	39	38	37	36	35	34	33	
						73				32	31	30	29	28		26	25	24	23	22	21	20	19	18	17	

MX123 52/66/73/80-WAY RECEPTACLE ASSY SEALED PIN OUT SHEET

STATUS	GM PART #	HRNS CONN ASSY			TPA	GROMMET CAP																			
		MATERIAL/PART	WIRE DRESS OPTION	KEY OPTION Fp	COLOR OPTION Fp	NUMBERS INDICATE CAVITIES OPEN FOR CIRCUITS																			
		NUMBER				Fp																			
SALEABLE	NOT APPLICABLE	34566-7843	9	C	BLUE	52	71	50	49	48	67	47	65	64	45	44	62	61	60	58	57	54	33		
						73				16	15	14	13	12	11	10	9	38	37	34	33				
						72	71	70	69	68	67	66	64	63	62	61	60	59	57	54	53				
SALEABLE	NOT APPLICABLE	34566-7853	9	C	BLUE	52	51	50	49	48	47	46	44	39	38	37	36	35	34	33					
						73				16	15	14	13	12	11	10	9	8	7	6	5	17			
						72	71	70	69	68	67	66	64	63	62	61	60	59	57	54	53				
SALEABLE	NOT APPLICABLE	34566-7863	9	C	BLUE	52	51	50	49	48	47	46	44	40	39	37	36	35	34	33					
						73				32	31	30	29	28	27	26	25	24	22	21	20	19	18	17	
						72	71	70	69	68	67	66	64	63	62	61	60	59	57	54	53				
SALEABLE	NOT APPLICABLE	34566-7873	9	A	BLACK	52	51	50	49	48	47	46	44	40	39	37	36	35	34	33					
						73				32	31	30	29	28	27	26	25	24	22	21	20	19	18	17	
						72	71	70	69	68	67	66	64	63	62	61	60	59	57	54	53				
SALEABLE	NOT APPLICABLE	34566-7883	9	A	BLACK	52	51	50	49	48	47	46	44	40	39	37	36	35	34	33					
						73				32	31	30	29	28	27	26	25	24	22	21	20	19	18	17	
						72	71	70	69	68	67	66	64	63	62	61	60	59	57	54	53				
SALEABLE	NOT APPLICABLE	34566-7893	9	A	BLACK	52	51	50	49	48	47	46	44	40	39	37	36	35	34	33					
						73				32	31	30	29	28	27	26	25	24	22	21	20	19	18	17	
						72	71	70	69	68	67	66	64	63	62	61	60	59	57	54	53				
SALEABLE	TBD	34822-0163	0	A	BLACK	52	51	50	49	48	47	46	44	40	39	37	36	35	34	33					
						73				32	31	30	29	28	27	26	25	24	22	21	20	19	18	17	
						72	71	70	69	68	67	66	64	63	62	61	60	59	57	54	53				
SALEABLE	NOT APPLICABLE	34566-7913	9	G	BLUE	52	51	50	49	48	47	46	44	40	39	37	36	35	34	33					
						73				32	31	30	29	28	27	26	25	24	22	21	20	19	18	17	
						72	71	70	69	68	67	66	64	63	62	61	60	59	57	54	53				
SALEABLE	NOT APPLICABLE	34566-7923	0	C	BLUE	52	51	50	49	48	47	46	44	40	39	37	36	35	34	33					
						73				32	31	30	29	28	27	26	25	24	22	21	20	19	18	17	
						72	71	70	69	68	67	66	64	63	62	61	60	59	57	54	53				
SALEABLE	NOT APPLICABLE	34566-7933	0	A	BLACK	52	51	50	49	48	47	46	44	40	39	37	36	35	34	33					
						73				32	31	30	29	28	27	26	25	24	22	21	20	19	18	17	
						72	71	70	69	68	67	66	64	63	62	61	60	59	57	54	53				
SALEABLE	NOT APPLICABLE	34566-7943	0	B	ST GRAY	52	51	50	49	48	47	46	44	40	39	37	36	35	34	33					
						73				32	31	30	29	28	27	26	25	24	22	21	20	19	18	17	
						72	71	70	69	68	67	66	64	63	62	61	60	59	57	54	53				
SALEABLE	NOT APPLICABLE	34566-7953	0	B	ST GRAY	52	51	50	49	48	47	46	44	40	39	37	36	35	34	33					
						73				32	31	30	29	28	27	26	25	24	22	21	20	19	18	17	
						72	71	70	69	68	67	66	64	63	62	61	60	59	57	54	53				
SALEABLE	NOT APPLICABLE	34566-7963	9	A	BLACK	52	51	50	49	48	47	46	44	40	39	37	36	35	34	33					
						73				32	31	30	29	28	27	26	25	24	22	21	20	19	18	17	
						72	71	70	69	68	67	66	64	63	62	61	60	59	57	54	53				
SALEABLE	NOT APPLICABLE	34566-7973	9	B	ST GRAY	52	51	50	49	48	47	46	44	40	39	37	36	35	34	33					
						73				32	31	30	29	28	27	26	25	24	22	21	20	19	18	17	
						72	71	70	69	68	67	66	64	63	62	61	60	59	57	54	53				
SALEABLE	NOT APPLICABLE	34566-7983	9	B	ST GRAY	52	51	50	49	48	47	46	44	40	39	37	36	35	34	33					
						73				32	31	30	29	28	27	26	25	24	22	21	20	19	18	17	
						72	71	70	69	68	67	66	64	63	62	61	60	59	57	54	53				

MX123 52/66/73/80-WAY RECEPTACLE ASSY SEALED PIN OUT SHEET

STATUS	GM PART #	HRNS CONN ASSY			TPA	GROMMET CAP																																									
		MATERIAL/PART	WIRE DRESS OPTION	KEY OPTION 	COLOR OPTION 	NUMBERS INDICATE CAVITIES OPEN FOR CIRCUITS 																																									
		NUMBER																																													
SALEABLE	NOT APPLICABLE	34566-7993	9	C	BLUE	70	69	48	67	66	64	61	60	57	54	52	51	50	49	48	47	46	45	44	28	27	25	37	34	33																	
						73			32	15	14	13	12	11	10	9	8	7	18	17																											
						16	15	14	13	12	11	10	9	8	7																																
SALEABLE	NOT APPLICABLE	34566-8013	9	C	BLUE	71	70	69	67	66	65	64	61	60	59	57	54	52	51	50	48	47	45	44	28	27	25	37	34	33																	
						73			32	15	14	13	12	11	10	9	8	7	18	17																											
						16	15	14	13	12	11	10	9	8	7																																
SALEABLE	TBD	34822-0173	9	A	BLACK	64	63	62	58	57	56	55	54	52	50	66	48	46	45	44	43	42	41	40	27	26	24	23	36	34																	
						65			32	31	30	29	27	26	24	23	6	5	4																												
						16	15	14	13	12	11	10	9	6	5	4																															
SALEABLE	NOT APPLICABLE	34566-8023	9	C	BLUE	72	69	68	46	43	42	41	40	39	36	34	66	72	71	70	69	68	67	66	65	64	63	62	59	58	57	56	55	54	53												
						73			31	30	29	26	24	23	22	21	20	19	8	7	6	5	4	3	2	1																					
SALEABLE	NOT APPLICABLE	34566-8033	9	B	ST GRAY	71	70	69	67	66	65	64	63	58	57	56	54	52	51	50	49	48	47	45	44	43	42	39	34	33																	
						73			32	31	29	28	27	26	25	24	23	5	3	2																											
SALEABLE	NOT APPLICABLE	34566-8043	9	A	BLACK	67	66	65	64	63	62	61	60	59	58	55	53	72	71	70	69	68	67	66	65	64	63	62	59	58	57	56	55	54													
						73			16	15	14	13	12	11	10	9	8	4	3	1																											
SALEABLE	NOT APPLICABLE	34566-8053	9	A	BLACK	72	69	68	67	66	65	64	63	59	38	35	33	72	71	70	69	68	67	66	65	64	63	62	59	58	57	56	55	54													
						73			31	25	23	22	21	20	19	9	8	7	6	5	4	2	1																								
SALEABLE	NOT APPLICABLE	34566-8063	9	C	BLUE	71	70	69	65	64	63	62	61	60	58	55	54	72	71	70	69	68	67	66	65	64	63	62	59	58	57	56	55	54													
						73			31	29	28	23	19	18	17	16	12	11	7	3	1																										
SALEABLE	NOT APPLICABLE	34566-8073	9	B	ST GRAY	69	68	65	64	63	62	61	60	59	58	55	53	72	71	70	69	68	67	66	65	64	63	62	59	58	57	56	55	54													
						73			12	11	9	7	6	5	4	20	19																														
SALEABLE	NOT APPLICABLE	34566-8083	9	B	ST GRAY	62	61	60	59	58	55	53	72	71	70	69	68	67	66	65	64	63	62	61	60	59	58	57	56	55	54	53															
						73			27	10	9																																				
SALEABLE	NOT APPLICABLE	34566-8093	9	A	BLACK	71	70	69	68	66	65	64	62	61	60	58	55	53	72	71	70	69	68	67	66	65	64	63	62	61	60	59	58	57	56												
						73			32	31	30	29	26	25	24	23	20	19	16	15	14	13	10	8	6	4	3																				
SALEABLE	NOT APPLICABLE	34566-8113	9	C	BLUE	68	67	66	65	64	63	62	61	60	59	58	57	55	53	72	71	70	69	68	67	66	65	64	63	62	61	60	59	58	57												
						73			32	27	24	20	19	18	11	10	8	5	4	3	2	1																									
SALEABLE	NOT APPLICABLE	34566-8123	0	G	BLUE	80	79	78	77	76	75	74	73	72	70	69	68	67	66	65	64	63	62	61	60	59	58	57	56	55	54	53	52	51	50												
									36	35	34	25	24	23	22	21	19	18	17	16	15	14																									
SALEABLE	NOT APPLICABLE	34566-8133	0	G	BLUE	80	79	78	77	76	75	74	73	72	70	69	68	67	66	65	64	63	62	61	60	59	58	57	56	55	54	53	52	51	50												
									36	35	34	26	25	24	23	22	21	19	18	17	16	15	14	13	12	11	10	9	8	7	6	5	4	3	2	1											
SALEABLE	NOT APPLICABLE	34566-8143	0	G	BLUE	80	79	78	77	76	75	74	73	72	70	69	68	67	66	65	64	63	62	61	60	59	58	57	56	55	54	53	52	51	50												
									36	35	34	33	32	31	30	29	28	27	26	25	24	23	22	21	19	18	17	16	15	14	13	12	11	10	9	8	7	6	5	4	3	2	1				



MX123 52/66/73/80-WAY RECEPTACLE ASSY SEALED PIN OUT SHEET

STATUS	GM PART #	HRNS CONN ASSY			TPA	GROMMET CAP																						
		MATERIAL/PART	WIRE DRESS OPTION	KEY OPTION	COLOR	NUMBERS INDICATE CAVITIES OPEN FOR CIRCUITS																						
		NUMBER		OPTION Fp	OPTION Fp	Fp																						
SALEABLE	NOT APPLICABLE	34566-8153	0	C	BLUE	72	71	70	69	68	67	66	65	64	63	62	61	60	59	58	57	56	55					
						52	51	50						28	27										35	34	33	
						73						16		14	13												3	18
SALEABLE	NOT APPLICABLE	34566-8163	9	B	ST GR Y					68	67			64	63				59	58			55	54				
											47	46	45	44	43				39	38					35			
						73						32	31	30	29	28	27			23	22					19		17
SALEABLE	NOT APPLICABLE	34566-8173	0	B	ST GR Y	72		70		68	67				63	62	61	60	59									
						52						46			43		41	40										
						73								16		14			11			8		6	22	21	20	19
SALEABLE	NOT APPLICABLE	34566-8183	9	H	ST GR Y																							
						73												71										
SALEABLE	NOT APPLICABLE	34566-8193	0	G	BLUE		79	78	77	76	75	74			71				67		65		63					
						60	59	58	57	56	55	54		52						47		45		43				
						40		38	37					33	32	31	30	29		27	26							
SALEABLE	NOT APPLICABLE	34566-8213	0	H	ST GR Y							74	73						67		65	64	63	62	61			
														53	52									44	43	42	41	
								38							33						27		25					
SALEABLE	NOT APPLICABLE	34566-8223	9	A	BLACK	72										62	61		59		57		55					
						52	51												40				37					
						73								32			29				25					20		
SALEABLE	NOT APPLICABLE	34566-8233	9	G	BLUE				77	76	75	74	73	72		70	69	68		66	65	64	63	62	61			
										56	55		53	52						46	45		43	42				
								38	37	36	35	34			31					26			23	22	21			
SALEABLE	NOT APPLICABLE	34566-8243	9	G	BLUE	20	19		17	16	15	14	13		10			7	6		4				1			
									77	76	75	74	73	72		70	69	68		66	65	64	63	62	61			
										56	55		53	52						46	45		43	42				
SALEABLE	NOT APPLICABLE	34566-8253	9	G	BLUE				38	37	36	35	34		31				26			23	22	21				
										77	76	75	74	73	72		70	69	68		66	65	64	63	62	61		
										56	55		53	52						46	45		43	42				
SALEABLE	NOT APPLICABLE	34566-8263	9	G	BLUE	20	19		17	16	15	14	13		10			7	6		4				1			
										77	76	75	74	73	72		70	69	68		66	65	64	63	62	61		
										56	55		53	52						46	45		43	42				
SALEABLE	NOT APPLICABLE	34566-8273	9	G	BLUE				38	37	36	35	34		31				26			23	22	21				
										77	76	75	74	73	72		70	69	68		66	65	64	63	62	61		
										56	55		53	52						46	45		43	42				
SALEABLE	NOT APPLICABLE	34566-8283	9	G	BLUE				17	16	15	14	13		10			7	6		4				1			
										77	76	75	74	73	72		70	69	68		66	65	64	63	62	61		
										56	55		53	52						46	45		43	42				
SALEABLE	NOT APPLICABLE	34566-8293	9	A	BLACK				71	70	69	68	67	66	65		63			60	59	58						
										50	49	48	47			44			42			39	38		36	35	34	33
						73								31			28		26			24	23	22	21		19	18
SALEABLE	NOT APPLICABLE	34566-8313	9	A	BLACK		71	70	69		67	66	65		63			60	59	58								
										50	49	48	47			44			42	41		39	38		36	35	34	33
						73								31			28		26			24	23	22	21		19	18

MX123 52/66/73/80-WAY RECEPTACLE ASSY SEALED PIN OUT SHEET

STATUS	GM PART #	HRNS CONN ASSY			TPA	GROMMET CAP																								
		MATERIAL/PART	WIRE DRESS OPTION	KEY OPTION Fp	COLOR OPTION Fp	NUMBERS INDICATE CAVITIES OPEN FOR CIRCUITS																								
		NUMBER				Fp																								
SALEABLE	NOT APPLICABLE	34566-8323	9	A	BLACK			71	70	69	68	67	66	65		63			60						53					
									50	49			47			44			42			39	38			36			33	
						73								31				28			26			24	23	22	21		19	18
SALEABLE	NOT APPLICABLE	34566-8333	9	A	BLACK			71	70	69	68	67	66	65		63			60								53			
									50	49	48	47			44			42	41		39	38			36				33	
						73								31				28			26			24	23	22	21		19	18
SALEABLE	NOT APPLICABLE	34566-8343	9	A	BLACK			71	70	69	68	67	66	65		63			60								53			
									50	49			47			44			42			39	38			36	35	34	33	
						73								31				28			26			24	23	22	21		19	18
SALEABLE	NOT APPLICABLE	34566-8353	9	A	BLACK										64			62	61					57	56	55	54	53		
						72										46	45		43			41	40			37				
						52	51							32			30	29		27			25					20		
SALEABLE	NOT APPLICABLE	34566-8363	9	A	BLACK										64			62	61					57	56	55	54	53		
						72										46	45		43			41	40			37				
						52	51							32			30	29		27			25					20		
SALEABLE	NOT APPLICABLE	34566-8373	9	A	BLACK										64			62	61					57	56	55	54	53		
						72										46	45		43			41	40			37				
						52	51							32			30	29		27			25					20		
SALEABLE	NOT APPLICABLE	34566-8383	9	A	BLACK										64			62	61					57	56	55	54	53		
						72										46	45		43			41	40			37				
						52	51							32			30	29		27			25					20		
SALEABLE	NOT APPLICABLE	34566-8393	0	A	BLACK				70							63	62							56	55	54	53			
						52	51			49	48							43								36	35	34	33	
						73								31	30	29	28	27			24	23	22	21	20	19	18	17		
SALEABLE	NOT APPLICABLE	34566-8413	0	A	BLACK				70								63	62						56	55	54	53			
						52	51			49	48							43								36	35	34	33	
						73								31	30	29	28	27			24	23	22	21	20	19	18	17		
SALEABLE	NOT APPLICABLE	34566-8423	0	C	BLUE					69													57			54				
						52	51	50	49	48			46	45	44			42	41						37			34	33	
						73												28	27	26	25									
SALEABLE	NOT APPLICABLE	34566-8433	0	H	ST GRAY			79	78	77																	61			
						20																	9				5			
SALEABLE	NOT APPLICABLE	34566-8443	0	C	BLUE			71	70										61	60	59	58	57			54				
						52	51	50		48	47			45	44				41			39	38	37			34	33		
						73								32			28	27			25			23				18	17	
SALEABLE	NOT APPLICABLE	34566-8453	0	A	BLACK		72	71	70	69	68													57	56		54			
						52	51	50	49	48			46	45	44	43	42				40	39	38	37	36		34			
						73								32	31	30	29	28					23	22	21	20				
SALEABLE	NOT APPLICABLE	34566-8463	0	B	ST GRAY				70																		55			
						52				48	47	46			44	43				41	40					38	37	36	35	
						73																	8			6		4		
SALEABLE	NOT APPLICABLE	34566-8473	0	C	BLUE			71	70																		54			
						52	51	50	49	48	47			45	44				42	41					38	37		35	34	33
						73								32			28	27	26	25								19	18	17

MX123 52/66/73/80-WAY RECEPTACLE ASSY SEALED PIN OUT SHEET

STATUS	GM PART #	HRNS CONN ASSY			TPA	GROMMET CAP																					
		MATERIAL/PART	WIRE DRESS OPTION	KEY OPTION Fp	COLOR OPTION Fp	NUMBERS INDICATE CAVITIES OPEN FOR CIRCUITS																					
		NUMBER				Fp																					
SALEABLE	NOT APPLICABLE	34566-8483	0	A	BLACK	72	71	70	69	68		66	65	64	63		61	60			57	56		54	53		
						52	51	50	49	48		46	45	44	43	42			40	39	38	37	36		34	33	
						73				32	31	30	29	28						23	22	21	20				2
SALEABLE	NOT APPLICABLE	34566-8493	0	B	ST GRAY	72		70		68	67					62	61	60	59				55				
						52				48	47	46		44	43			40									33
						73						30								22	21	20	19	18	17		
SALEABLE	NOT APPLICABLE	34566-8513	9	A	BLACK	72	71	70	69	68		66	65	64	63		61	60			57	56		54	53		
						52	51	50	49	48		46	45	44	43			40	39	38	37	36		34	33		
						73				32	31	30	29	28					24	23	22						
SALEABLE	NOT APPLICABLE	34566-8523	9	B	ST GRAY	72		70		68						62	61						55				
						52				48	47	46		44	43			40									
						73						30								22	21	20	19	18	17		
SALEABLE	NOT APPLICABLE	34566-8533	9	C	BLUE			70		67	66	65	64			61	60			57			54				
						52	51	50	49	48	47		45	44			41				37				34	33	
						73				32				28	27			25									18
SALEABLE	NOT APPLICABLE	34566-8543	9	C	BLUE		71		69		67	66	65	64			61	60			57			54			
						52	51	50	49	48	47	46	45	44							37					34	33
						73				32				28	27												
SALEABLE	NOT APPLICABLE	34566-8553	0	B	ST GRAY					67	66	65	64			61	60			57			54				
						52	51	50	49	48	47		45	44			41				37				34	33	
						73				32				28	27			25									18
SALEABLE	NOT APPLICABLE	34566-8563	0	A	BLACK					67						61	60			57			54				
						52	51			48	47	46		44	43	42		40	39	38	37	36	35				
						73								28						22	21					18	17
SALEABLE	NOT APPLICABLE	34566-8573	0	B	ST GRAY	72	71	70	69	68	67	66	65	64	63		61	60	59		57	56	55				
						52	51	50	49	48	47	46	45	44	43		41	40	39	38	37	36	35			33	
						73				32	31	30	29	28				26		24	23	22	21	20	19		
SALEABLE	NOT APPLICABLE	34566-8583	0	C	BLUE	72	71	70	69		67	66	65	64			60				56			54			
						52	51	50	49		47	46	45	44			40	39	38						34		
						73					31	30		28		26	25	24	23	22	21						17
SALEABLE	NOT APPLICABLE	34566-8593	0	B	ST GRAY	72				68						62	61	60	59				55				
						52				48	47	46		44	43		41	40			38	37	36	35			
						73						30								22	21	20	19	18			
SALEABLE	TBD	34822-0183	0	A	BLACK	64	63	62	61	60	59					54	53		51		49	66					
																38	37		35		33						
						65					15	14	13						8	7			4	3	2	1	
SALEABLE	TBD	34822-0193	0	A	BLACK	64	63								54	53		51		49	66						
															38	37		35		33							
						65								28				24	23		21	20	19	18	17		
SALEABLE	TBD	34822-0203	0	A	BLACK					60	59				54	53		51		49	66						
															38	37		35		33							
						65					31			28				24	23	22	21	20	19	18	17		
SALEABLE	TBD	34822-0213	0	A	BLACK	64	63	62	61	60	59				54	53		51		49	66						
															38	37		35		33							
						65					31			28				24	23	22	21	20	19	18	17		

MX123 52/66/73/80-WAY RECEPTACLE ASSY SEALED PIN OUT SHEET

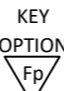


STATUS	GM PART #	HRNS CONN ASSY			TPA	GROMMET CAP																						
		MATERIAL/PART	WIRE DRESS OPTION	KEY OPTION Fp		COLOR OPTION Fp	NUMBERS INDICATE CAVITIES OPEN FOR CIRCUITS																					
		NUMBER					Fp																					
SALEABLE	NOT APPLICABLE	34566-8613	0	C	BLUE	52	71	70			67	66	65	64			61	60	59	58	57			54				
							51	50		48	47		45	44			41	40	39	38	37					34	33	
						73				32				28	27		25		23								18	17
SALEABLE	NOT APPLICABLE	34566-8623	9	C	BLUE					68			65		63	62	61		59	58	57	56	55		53			
										48			45		43	42	41						37	36	35	34	33	
						73				32	31													20	19	18		
SALEABLE	NOT APPLICABLE	34566-8633	0	B	ST GRAY	72										62	61											
						52				48	47	46			43			40										
						73							30										22	21	20	19	18	17
SALEABLE	NOT APPLICABLE	34566-8643	0	C	BLUE		71	70			67	66		64			61	60					57		54			
						52	51	50	49	48			45	44			41				37					34	33	
						73				32				28	27		25										18	17
SALEABLE	NOT APPLICABLE	34566-8653	9	C	BLUE		71		69		67	66	65	64	63		61	60					57					
						52	51	50		48	47	46	45		43		41						37			34	33	
						73								28	27		25											
SALEABLE	NOT APPLICABLE	34566-8663	0	B	ST GRAY	72	71	70	69					64	63		61	60			58	57	56	55				
						52	51	50	49					43									38	37	36		33	
						73				32			30	29	28		26	25	24	23	22	21	20					
SALEABLE	NOT APPLICABLE	34822-0223	0	A	BLACK	64	63	62	61	60	59					54	53		51				49	66				
															38	37		35		33					20	19	18	17
						65					31			28				24	23	22	21	20	19	18	17			
SALEABLE	NOT APPLICABLE	34566-8673	0	F	NATURAL	72		70		68	67	66			63	62			59			57						
						52	51		49	48	47	46		44			41	40	39				37	36	35	34	33	
						73							30			27	26	25	24		22	21	20					
SALEABLE	NOT APPLICABLE	34566-8683	0	B	ST GRAY	72		70		68	67	66			63	62			59			57			53			
						52	51		49	48	47	46		44			41	40	39				37	36	35	34	33	
						73				32			30			27	26	25	24		22	21	20					
SALEABLE	NOT APPLICABLE	34566-8693	0	A	BLACK					68	67	66			63	62			59			57			53			
						52	51		49	48	47	46		44			41	40	39				37	36	35	34	33	
						73				32			30			27	26	25	24		22	21	20					
SALEABLE	NOT APPLICABLE	34566-8713	9	B	ST GRAY	72	71	70	69					64	63			61	60			58	57	56	55			
						52	51	50	49					43									38	37	36		33	
						73				32			30	29	28		26	25	24	23	22	21	20					
SALEABLE	NOT APPLICABLE	34566-8723	0	C	BLUE		71	70				66		64			61	60					57		54			
						52	51	50	49	48			45	44			41						37			34	33	
						73				32				28	27		25										18	17
SALEABLE	NOT APPLICABLE	34566-8733	0	A	BLACK	72	71	70	69	68		66	65	64	63			60				57	56			54		
						52	51	50	49	48		46	45	44	43	42			40	39	38	37	36			34		
						73				32	31	30	29	28						23	22	21	20					
SALEABLE	NOT APPLICABLE	34566-8743	0	C	BLUE						67	66		64										54				
						52	51	50	49		47	46		44					39	38								
						73							30	29	28	27	26	25	24	23	22	21						17
SALEABLE	NOT APPLICABLE	34566-8753	0	B	ST GRAY	72	71	70	69	68	67	66	65	64	63		61	60			58	57	56	55	54	53		
						52	51	50	49	48	47	46	45	44	43			40					37	36	35	34	33	
						73				32			30	29	28		26	25	24				21		19			



MX123 52/66/73/80-WAY RECEPTACLE ASSY SEALED PIN OUT SHEET

STATUS	GM PART #	HRNS CONN ASSY			TPA	GROMMET CAP																					
		MATERIAL/PART	WIRE DRESS OPTION	KEY OPTION Fp	COLOR OPTION Fp	NUMBERS INDICATE CAVITIES OPEN FOR CIRCUITS																					
		NUMBER				Fp																					
SALEABLE	NOT APPLICABLE	34566-8763	0	A	BLACK	72	71	70				67	66						59	58	57	56	55	54	53		
						52	51	50				47	46							39		37	36	35		18	17
						73			32	31	30	29	28	27	26					8	7					3	2
SALEABLE	12672857	34822-0243	9	A	BLACK	64	63	62	61	60	59					54	53		51		49	66					
							47								38	37		35		33							
						65							28				25	24		22	21	20	19	18	17		
SALEABLE	NOT APPLICABLE	34822-0253	0	A	BLACK		63	62	61	60	59					54	53		49	66							
															38	37		35		33							
						65							28				25	24		22	21	20	19	18	17		
SALEABLE	NOT APPLICABLE	34822-0263	9	C	BLUE	64	63	62		60	59					54	53		51		49	66					
						48	47	46	45						39	37		36	35	34	33						
						65			32	30	29	28	27	26	25	24	23	22	21						19	18	17
SALEABLE	NOT APPLICABLE	34822-0273	9	A	BLACK	64	63									54	53		51		49	66					
							47								38	37		35		33							
						65							28							22		20	19	18	17		
SALEABLE	NOT APPLICABLE	34822-0283	0	A	BLACK				61	60	59				56	55				51		49	66				
						65			32																		
SALEABLE	NOT APPLICABLE	34822-0293	0	A	BLACK	64	63									54	53		51		49	66					
							47								38	37		35		33							
						65							28							22		20	19	18	17		
SALEABLE	NOT APPLICABLE	34566-8773	9	B	ST GRAY	72		70		68						62	61	60	59					55			
						52				48	47	46						43			40						
						73															22	21	20	19	18	17	
SALEABLE	NOT APPLICABLE	34566-8783	9	A	BLACK	72	71	70	69	68			66	65	64	63		61	60			57	56		54	53	
						52	51	50	49	48			46	45	44	43			40	39	38	37	36		34	33	
						73			32	31	30	29	28							23	22	21					
SALEABLE	NOT APPLICABLE	34566-8793	9	C	BLUE		71	70			67	66	65				61	60			57			54			
						52	51	50	49	48	47		45	44			41			37					34	33	
						73			32				28	27			25									18	17
SALEABLE	NOT APPLICABLE	34566-8813	9	B	ST GRAY	72	71	70	69	68	67			65	64	63		61	60	59		57	56	55	54	53	
						52	51	50	49	48	47	46	45	44	43	42			40	39			36	35	34	33	
						73			32	31	30	29	28	27	26	25	24	23	22	21							
SALEABLE	NOT APPLICABLE	34566-8823	9	C	BLUE	72	71	70	69		67	66		64				60							54		
						52	51	50	49		47	46		44				40	39								
						73							28	27	26	25	24	23	22	21							
SALEABLE	NOT APPLICABLE	34566-8833	9	C	BLUE	72		70		68	67	66			63	62			59		57				54	53	
						52	51		49	48	47	46		44			41	40	39		37	36	35	34	33		
						73			32		30			27	26	25	24		22	21	20						
SALEABLE	NOT APPLICABLE	34566-8843	0	C	BLUE			70	69		67	66		64											54		
						52	51	50	49		47	46		44			41		39	38							
						73							28	27	26	25	24	23	22	21							
SALEABLE	NOT APPLICABLE	34566-8853	0	B	ST GRAY	72				68	67				63	62	61	60	59					55			
						52				48	47	46		44	43		41	40		38	37	36	35				
						73							28	27						22	21	20	19	18			

MX123 52/66/73/80-WAY RECEPTACLE ASSY SEALED PIN OUT SHEET

STATUS	GM PART #	HRNS CONN ASSY			TPA	GROMMET CAP																										
		MATERIAL/PART	WIRE DRESS OPTION	KEY OPTION 		COLOR OPTION 	NUMBERS INDICATE CAVITIES OPEN FOR CIRCUITS 																									
		NUMBER																														
SALEABLE	NOT APPLICABLE	34566-8863	0	B	ST GR	72	71	70	69						64	63		61			58	57	56	55								
						52	51	50	49								43						38	37	36					33		
						73				32		30	29	28			26	25	24	23	22	21	20									
SALEABLE	NOT APPLICABLE	34566-8873	0	B	ST GR	72	71	70	69						64	63		61			58	57	56	55								
						52	51	50	49								43						38	37	36					33		
						73				32	31	30	29	28			26	25	24	23	22	21	20									
SALEABLE	NOT APPLICABLE	34566-8883	0	B	ST GR	72	71	70	69	68	67	66	65	64	63			61	60	59	58	57	56	55								
						52	51	50	49	48	47	46	45	44	43			41	40	39	38	37	36	35	34	33						
						73				32	31	30	29	28	27	26	25	24	23	22	21	20	19	18	17							
SALEABLE	NOT APPLICABLE	34566-8893	0	A	BLACK	72		70			67	66	65			63			60	59	58	57	56	55								
						52	51		49	48	47	46	45			43	42		40	39	38	37	36	35					18	17		
						73									28	27				23	22	21								2	1	
SALEABLE	NOT APPLICABLE	34566-8913	0	A	BLACK	72	71	70	69	68			66	65	64	63			60			57	56					54				
						52	51	50	49	48			46	45	44	43	42	41	40	39	38	37	36							34		
						73				32	31	30	29	28							23	22	21									
SALEABLE	NOT APPLICABLE	34566-8923	0	A	BLACK		71	70	69	68	67			64	63	62	61	60	59			57	56	55	54	53						
						52	51	50	49				46	45	44	43	42	41	40	39	38	37	36									
						73				32			29	28	27	26	25					21										18
SALEABLE	NOT APPLICABLE	34566-8933	0	C	BLUE	72	71		69	68										59	58			56					53			
																						39	38			36						
						73						31	30	29							24	23	22	21	20							
SALEABLE	NOT APPLICABLE	34566-8943	0	B	ST GR	72				68							62	61											55			
						52								46																		
						73																	22	21	20	19	18	17				
SALEABLE	NOT APPLICABLE	34566-8953	9	C	BLUE	72	71	70	69		67	66			64				60										54			
						52	51	50	49			47	46			44				40	39	38										
						73						30	29	28	27	26	25	24	23	22	21											17
SALEABLE	NOT APPLICABLE	34566-8963	0	B	ST GR	72																							55			
						52				48	47	46						43		41	40											
						73							30										22	21	20	19	18	17				
SALEABLE	NOT APPLICABLE	34566-8973	0	A	BLACK	72	71	70	69	68			66	65	64	63			60				57	56					54			
						52	51	50	49	48			46	45	44	43	42		40	39	38	37	36							34		
						73				32	31	30	29	28								23	22	21								17
SALEABLE	NOT APPLICABLE	34566-8983	0	C	BLUE		71	70			67	66			64			61	60			57							54			
						52	51	50	49	48	47			45	44			41				37								34	33	
						73				32				28	27		25															18
SALEABLE	NOT APPLICABLE	34822-0303	0	A	BLACK																								66			
						65																										
SALEABLE	NOT APPLICABLE	34822-0313	0	A	BLACK		63	62	61	60	59						54	53			49								66			
																							35									
						65						31			28				24	23	22	21	20	19	18	17						
SALEABLE	NOT APPLICABLE	34566-8993	0	B	ST GR																											
						73																										



MX123 52/66/73/80-WAY RECEPTACLE ASSY SEALED PIN OUT SHEET

STATUS	GM PART #	HRNS CONN ASSY			TPA	GROMMET CAP																					
		MATERIAL/PART	WIRE DRESS OPTION	KEY OPTION Fp	COLOR OPTION Fp	NUMBERS INDICATE CAVITIES OPEN FOR CIRCUITS																					
		NUMBER				Fp																					
SALEABLE	NOT APPLICABLE	34566-9143	9	F	NATURAL	72	71	70			67	66	65	64	63	62	61	60	59			56	55	54	53		
						52	51	50	49	48	47	46	45	44										36	35	34	
						73				32	31		29	28	27	26	25	24	23	22	21	20					
SALEABLE	NOT APPLICABLE	34566-9153	9	B	ST GRY						66																
																41							38	37			
						73																		20	19	18	17
SALEABLE	NOT APPLICABLE	34566-9163	9	B	ST GRY					68	67	66	65			62		60	59					54	53		
										48	47	46	45	44		42	41	40	39						35	34	
						73					31				27											19	18
SALEABLE	NOT APPLICABLE	34566-9173	0	B	ST GRY								65			62				58							
																41							38	37			
						73																			19	18	17
SALEABLE	NOT APPLICABLE	34822-0363	9	C	BLUE				61			58															
										44	43		41	40		38											
						65					31														20		
SALEABLE	NOT APPLICABLE	34822-0373	9	A	BLACK	64	63	62	61	60						55			52	51			49				
						48	47	46	45							38											
						65				32		30	29		27											20	19
SALEABLE	NOT APPLICABLE	34822-0383	9	A	BLACK	64	63	62	61	60			57					52	51			49					
						48	47	46	45					40													
						65				32		30	29		27											20	19
SALEABLE	NOT APPLICABLE	34822-0393	0	A	BLACK	64	63	62	61	60			57					52	51			49					
						48	47	46	45							38											
						65				32		30	29		27											20	19
SALEABLE	NOT APPLICABLE	34822-0403	9	A	BLACK	64	63									54	53		51			49					
															38	37		35									
						65					31			28												20	19
SALEABLE	NOT APPLICABLE	34822-0413	0	A	BLACK																						
																38	37		35								
						65								28												20	19
SALEABLE	NOT APPLICABLE	34822-0423	9	A	BLACK																						
										44	43	42	41	40	39		37	36	35	34	33						
						65					31			28			26	25	24	23							
SALEABLE	NOT APPLICABLE	34566-9183	9	B	ST GRY	72	71	70	69	68	67		65	64	63	62	61	60	59			57	56	55	54	53	
						52	51	50	49	48	47	46	45	44	43	42		40	39					36	35	34	33
						73				32	31	30	29	28	27	26	25	24	23	22	21						19
SALEABLE	NOT APPLICABLE	34566-9193	9	F	NATURAL				69	68																	
						73							30													19	18
SALEABLE	NOT APPLICABLE	34822-0433	0	A	BLACK	64	63	62		60	59		57	56	55	54	53	52	51	50	49						
						48	47	46	45				42			39		37	36	35	34	33					
						65				32		30	29	28	27	26	25	24	23	22	21					20	19
SALEABLE	NOT APPLICABLE	34822-0443	0	A	BLACK	64	63	62		60	59		57	56	55	54	53	52	51	50	49						
						48	47	46	45				42			39		37	36	35	34	33					
						65				32	31	30	29	28	27	26	25	24	23	22	21					20	19

MX123 52/66/73/80-WAY RECEPTACLE ASSY SEALED PIN OUT SHEET

STATUS	GM PART #	HRNS CONN ASSY			TPA	GROMMET CAP																							
		MATERIAL/PART	WIRE DRESS OPTION	KEY OPTION Fp	COLOR OPTION Fp	NUMBERS INDICATE CAVITIES OPEN FOR CIRCUITS																							
		NUMBER				Fp																							
SALEABLE	NOT APPLICABLE	34822-0453	0	A	BLACK						59	58	57	56		54	53			50		66							
									44	43	42	41	40	39		26	25	24	23										
						65							31			28				9	8	7	6						
SALEABLE	NOT APPLICABLE	34566-9213	0	B	ST GRAY					68	67	66	65	64					59	58	57		55	54	53				
							51	50	49	48		46	45		43	42	41	40	39	38	37		35						
						73							32	31	30				26		24	23	22		20				
SALEABLE	NOT APPLICABLE	34566-9223	9	B	ST GRAY																								
									72							62	61	60	59								55		
									52			48	47	46										38	37	36	35		
SALEABLE	NOT APPLICABLE	34566-9233	9	C	BLUE																								
							71				67		65	64				61	60	59		57					54		
							52	51	50		48	47		45	44				41		39		37					34	33
SALEABLE	NOT APPLICABLE	34566-9243	9	B	ST GRAY																								
									72	71	70	69					64	63		61			58	57	56	55			
									52	51	50	49						43					38	37	36				33
SALEABLE	NOT APPLICABLE	34566-9253	9	B	ST GRAY																								
									72	71	70	69		68	67		65	64	63	62	61	60	59		57	56	55	54	53
									52	51	50	49		48	47	46	45	44	43	42		40	39				36	35	34
SALEABLE	NOT APPLICABLE	34566-9263	9	B	ST GRAY																								
									72									62	61	60	59							55	
									52					46				43		41	40								
SALEABLE	NOT APPLICABLE	34822-0463	0	A	BLACK																								
							64	63	62		60	59		57	56	55	54	53	52	51	50	49							
							48	47	46	45			43	42			39		37	36	35	34	33						
SALEABLE	NOT APPLICABLE	34822-0473	9	C	BLUE																								
									64	63	62		60	59		57	56	55	54	53		51		49					
									48	47	46	45			42			39		37	36	35	34	33					
SALEABLE	NOT APPLICABLE	34822-0483	9	A	BLACK																								
									64	63								54	53		51		49						
																			38	37		35		33					
SALEABLE	NOT APPLICABLE	34566-9273	9	B	ST GRAY																								
									72	71	70	69		68	67		65	64	63		61	60	59		57	56	55	54	53
											50	49		48	47	46		44	43	42		40	39				36	35	34
SALEABLE	NOT APPLICABLE	34822-0493	0	C	BLUE																								
									64	63	62		60	59		57	56	55	54	53	52	51	50	49					
									48	47	46	45			42			39		37	36	35	34	33					
SALEABLE	NOT APPLICABLE	34566-9283	9	G	BLUE																								
									80	79	78							71				67							
									60	59	58	57			54				51	50	49	48	47			44			41
SALEABLE	NOT APPLICABLE	34566-9293	9	G	BLUE																								
									40	39		37				33	32		30	29	28	27		25	24				
																			12	11		9	8			5		3	2
SALEABLE	NOT APPLICABLE	34566-9313	9	A	BLACK																								
									72									64		62	61		58	57	56	55	54	53	
									52	51			48		46	45		43		41	40			37					

MX123 52/66/73/80-WAY RECEPTACLE ASSY SEALED PIN OUT SHEET

STATUS	GM PART #	HRNS CONN ASSY			TPA	GROMMET CAP																										
		MATERIAL/PART	WIRE DRESS OPTION	KEY OPTION Fp	COLOR OPTION Fp	NUMBERS INDICATE CAVITIES OPEN FOR CIRCUITS																										
		NUMBER				Fp																										
SALEABLE	NOT APPLICABLE	34566-9323	9	A	BLACK	72											64		62	61		59	58	57	56	55	54	53				
						52	51					48		46	45		43		41	40								20				
						73				32		30	29		27		25												4	3		
SALEABLE	NOT APPLICABLE	34566-9333	9	A	BLACK	72										64		62	61		59	58	57	56	55	54	53					
						52	51					48		46	45		43		41	40							37		35	34		
						73				32		30	29		27		25												20			
SALEABLE	NOT APPLICABLE	34566-9343	9	C	BLUE	72		70	69	68		66						63	62					58		56	55		53			
									49			46				43	42		40							38		36	35			
						73						31	30	29				26		24							22	21	20	19		17
SALEABLE	NOT APPLICABLE	34822-0503	0	A	BLACK	64			62	61	60	59	58						54	53		51										
						48	47													38	37	36		34								
						65							30	29	28					26		24						21				17
SALEABLE	NOT APPLICABLE	34822-0513	9	A	BLACK		63	62	61									54	53						49							
																				38	37		35				33					
						65						31			28							24					22	21	20	19	18	17
SALEABLE	NOT APPLICABLE	34566-9353	9	A	BLACK	72										64		62	61					58	57	56	55	54	53			
						52	51					48		46	45		43		41	40							37		35	34		
						73				32		30	29		27		25												20			
SALEABLE	NOT APPLICABLE	34566-9363	9	A	BLACK	72										64		62	61					57	56	55	54	53				
						52	51					46	45		43			40									37		35	34		
						73				32		30	29		27		25												20			
SALEABLE	NOT APPLICABLE	34566-9373	9	G	BLUE	80																		66		64						
							59		57													49										
							39																30									
SALEABLE	NOT APPLICABLE	34566-9383	9	A	BLACK	72	71	70	69	68						64	63	62	61		59	58	57	56	55	54	53					
						52	51	50		48	47	46	45	44	43		41	40	39	38	37							35	34	33		
						73				32		30	29		27	26	25	24											20	19	18	17
SALEABLE	NOT APPLICABLE	34566-9393	0	B	ST GRAY	72	71	70	69	68	67		65	64	63		61	60	59		57	56	55	54	53							
						52	51	50	49	48	47	46	45	44	43	42		40	39								36	35	34	33		
						73				32	31	30	29	28	27	26	25	24	23	22	21	20										
SALEABLE	NOT APPLICABLE	34566-9413	9	H	ST GRAY																											
SALEABLE	NOT APPLICABLE	34566-9423	0	A	BLACK	72	71	70			67	66											58	57	56	55	54	53				
						52	51	50			47	46													39		37	36	35		33	
						73				32	31	30	29	28	27	26														18	17	
SALEABLE	NOT APPLICABLE	34566-9433	0	B	ST GRAY	72	71	70	69	68	67	66	65	64	63		61				58	57	56	55	54	53						
						52	51	50	49	48	47	46	45	44				40	39								37	36	35	34	33	
						73						30	29	28	27	26	25	24										21				
SALEABLE	NOT APPLICABLE	34566-9443	9	B	ST GRAY	72	71	70	69	68	67		65	64	63	62	61	60	59		57	56	55	54	53							
								50	49	48	47	46		44	43	42		40	39									36	35	34	33	
						73				32	31	30	29	28	27	26	25	24	23	22	21											
SALEABLE	NOT APPLICABLE	34566-9453	0	A	BLACK	72	71	70	69		67			64			61	60	59		57	56	55	54	53							
						52	51					48		45	44			41	40	39	38	37	36	35	34							
						73						31	30	29		27	26	25			22							19	18			

MX123 52/66/73/80-WAY RECEPTACLE ASSY SEALED PIN OUT SHEET

STATUS	GM PART #	HRNS CONN ASSY			TPA	GROMMET CAP																																	
		MATERIAL/PART	WIRE DRESS OPTION	KEY OPTION	COLOR OPTION	NUMBERS INDICATE CAVITIES OPEN FOR CIRCUITS																																	
		NUMBER		Fp	Fp	Fp																																	
SALEABLE	NOT APPLICABLE	34566-9463	0	G	BLUE	80	79	78				75								66	65	64																	
							59															46						43	42	41									
								39	38	37		35						30					26	25	24						22	21							
SALEABLE	NOT APPLICABLE	34566-9473	0	G	BLUE	80	79	78				75									66	65	64																
							59															46						43	42	41									
								39	38	37		35						30					26	25	24						22	21							
SALEABLE	NOT APPLICABLE	34566-9483	0	G	BLUE	80	79	78				75									66	65	64																
							59															46						43	42	41									
								39	38	37		35						30					26	25	24						22	21							
SALEABLE	NOT APPLICABLE	34566-9493	0	G	BLUE	80	79	78				75									66	65	64																
							59															46						43	42	41									
								39	38	37		35						30					26	25	24						22	21							
SALEABLE	NOT APPLICABLE	34566-9513	0	G	BLUE	80	79	78	77	76	75	74	73	72	71	70	69	68	67	66	65	64	63	62	61														
							59	58	57	56	55	54	53	52	51	50	49	48				46									43	42	41						
								39	38	37		35											26	25	24							22	21						
SALEABLE	NOT APPLICABLE	34566-9523	0	G	BLUE	80	79	78				75									66	65	64																
							59															46								43	42	41							
								39	38	37		35											26	25	24							22	21						
SALEABLE	NOT APPLICABLE	34822-0523	0	C	BLUE	64	63	62		60	59		57	56	55	54	53	52	51	50	49	66																	
						48	47	46	45				42				39		37	36	35	34	33								19	18	17						
						65							32		30	29	28	27	26	25	24	23	22										3	2	1				
SALEABLE	NOT APPLICABLE	34566-9543	0	A	BLACK					49	48	47	46	45	44	43			40		38	37	36						34										
						73							32	31		29	28	27		25	24	23	22							20	19	18	17						
													16	15				12		10	9			6	5								2	1					
SALEABLE	NOT APPLICABLE	34566-9553	0	C	BLUE	52	51	50	49				66	65	64	63	62		60	59		57	56	55	54	53													
																							39			37	36	35	34	33									
						73							32		30	29	28	27	26	25	24	23	22								19	18	17						
SALEABLE	NOT APPLICABLE	34566-9563	0	C	BLUE	72	71	70	69				67	66	65	64				60										56	54								
						52	51	50	49	48	47	46	45	44							40	39	38											34					
						73							31	30			28			26	25	24	23	22	21	20										17			
SALEABLE	NOT APPLICABLE	34566-9573	0	B	ST GRY	72	71	70	69	68	67		65	64	63			61	60	59		57	56	55	54	53													
						52	51	50	49	48	47	46	45	44	43	42			40	39														36	35	34	33		
						73							32	31	30	29	28	27	26	25	24	23	22	21															
SALEABLE	NOT APPLICABLE	34566-9583	0	B	ST GRY	72	71	70	69	68	67	66	65	64	63			61	60	59		57	56	55	54														
						52	51	50	49	48	47	46	45	44	43			41	40	39	38	37	36	35	34	33													
						73							32	31	30	29	28			26	25	24	23	22	21	20	19	18	17										
SALEABLE	NOT APPLICABLE	34566-9593	0	A	BLACK	72			70				67				63			60	59	58	57	56	55														
						52	51			48	47					43	42		40	39	38	37	36	35										18	17				
						73											28	27																		2	1		
SALEABLE	NOT APPLICABLE	34566-9613	0	C	BLUE		71	70	69				67	66	65	64			60																				
						52	51	50	49				47	46	45	44					40	39																	
						73							31	30			28			26	25	24	23	22	21	20	19	18	17										
SALEABLE	NOT APPLICABLE	34566-9623	9	B	ST GRY	72	71	70							64	63		61			58	57	56	55															
						52	51	50								43						38	37	36															
						73							32		30	29	28			26	25	24	23	22	21	20													

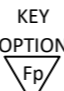


MX123 52/66/73/80-WAY RECEPTACLE ASSY SEALED PIN OUT SHEET

STATUS	GM PART #	HRNS CONN ASSY			TPA	GROMMET CAP																						
		MATERIAL/PART	WIRE DRESS OPTION	KEY OPTION Fp	COLOR OPTION Fp	NUMBERS INDICATE CAVITIES OPEN FOR CIRCUITS																						
		NUMBER				Fp																						
SALEABLE	NOT APPLICABLE	34566-9633	9	B	ST GRAY	72	71	70	69	68	67		65	64	63		61	60	59		57	56	55	54	53			
						52	51	50	49	48	47	46	45	44	43	42		40	39				36	35	34	33		
						73				32	31	30	29	28	27	26	25	24	23	22	21	20				3	2	
SALEABLE	NOT APPLICABLE	34566-9643	9	A	BLACK				69					64	63		61		59									
						52				48				44	43		41		39	38				35	34			
						73						30	29							10						5		2
SALEABLE	NOT APPLICABLE	34566-9653	9	G	BLUE	80														66	65							
							59		57																			
							39										30											
SALEABLE	NOT APPLICABLE	34566-9663	0	B	ST GRAY	72	71	70	69	68	67	66	65	64	63		61				58	57	56	55	54	53		
						52	51	50	49	48	47	46	45	44				40						37	36	35	34	33
						73				32		30	29	28				26	25	24				21				
SALEABLE	NOT APPLICABLE	34822-0533	9	C	BLUE	64	63			60	59		57	56	55		53	52	51	50	49	66						
						48	47	46	45			42				39	38		36	35	34	33						
						65				32		30	29	28	27	26	25	24	23	22			20			18	17	
SALEABLE	NOT APPLICABLE	34822-0543	0	A	BLACK	64	63	62	61	60	59					54	53		51		49	66						
							47									38	37		35			33						
						65								28			25	24		22	21	20	19	18	17			
SALEABLE	NOT APPLICABLE	34822-0553	0	A	BLACK	64	63								54	53		51		49	66							
														38	37		35		33			20	19	18	17			
						65					31			28				24	23		21	20	19	18	17			
SALEABLE	NOT APPLICABLE	34822-0563	0	C	BLUE	64	63	62		60	59		57	56	55	54	53	52	51	50	49	66						
						48	47	46	45			42				39		37	36	35	34	33						
						65				32		30	29	28	27	26		24	23	22				19	18	17		
SALEABLE	NOT APPLICABLE	34566-9673	0	C	BLUE	72	71	70	69		67	66	65	64					60			56		54				
						52	51	50	49		47	46	45	44					40	39	38					34		
						73					31	30		28			26	25	24	23	22	21	20					17
SALEABLE	NOT APPLICABLE	34566-9683	0	B	ST GRAY	72	71	70	69	68	67	66	65	64	63		61	60			57	56	55	54				
						52	51	50	49	48	47	46	45	44	43		41	40			38	37	36	35		33		
						73				32	31	30	29	28			26		24	23	22	21	20	19			17	
SALEABLE	NOT APPLICABLE	34566-9693	0	A	BLACK	72		70			67					63												
						52	51			48	47				43	42		40	39	38	37	36	35			33		
						73								28												18	17	
SALEABLE	NOT APPLICABLE	34566-9713	0	B	ST GRAY					68	67	66	65	64					59	58	57		55	54	53			
							51	50	49	48		46	45		43	42		40	39	38	37			35		33		
						73				32	31	30				26		24	23	22		20						
SALEABLE	NOT APPLICABLE	34566-9723	0	B	ST GRAY																							
							51	50	49	48	47	46	45		43			40			37	36						
						73				32		30	29	28		26	25	24			21			19				
SALEABLE	NOT APPLICABLE	34566-9733	0	A	BLACK	72	71	70			67	66							59						53			
						52	51	50			47	46							39		37			35		33		
						73						30	29	28	27	26				21							17	
SALEABLE	NOT APPLICABLE	34822-0573	0	A	BLACK	64	63									54	53		51		49	66						
																38	37		35		33							
						65								28				24		22		20	19	18	17			

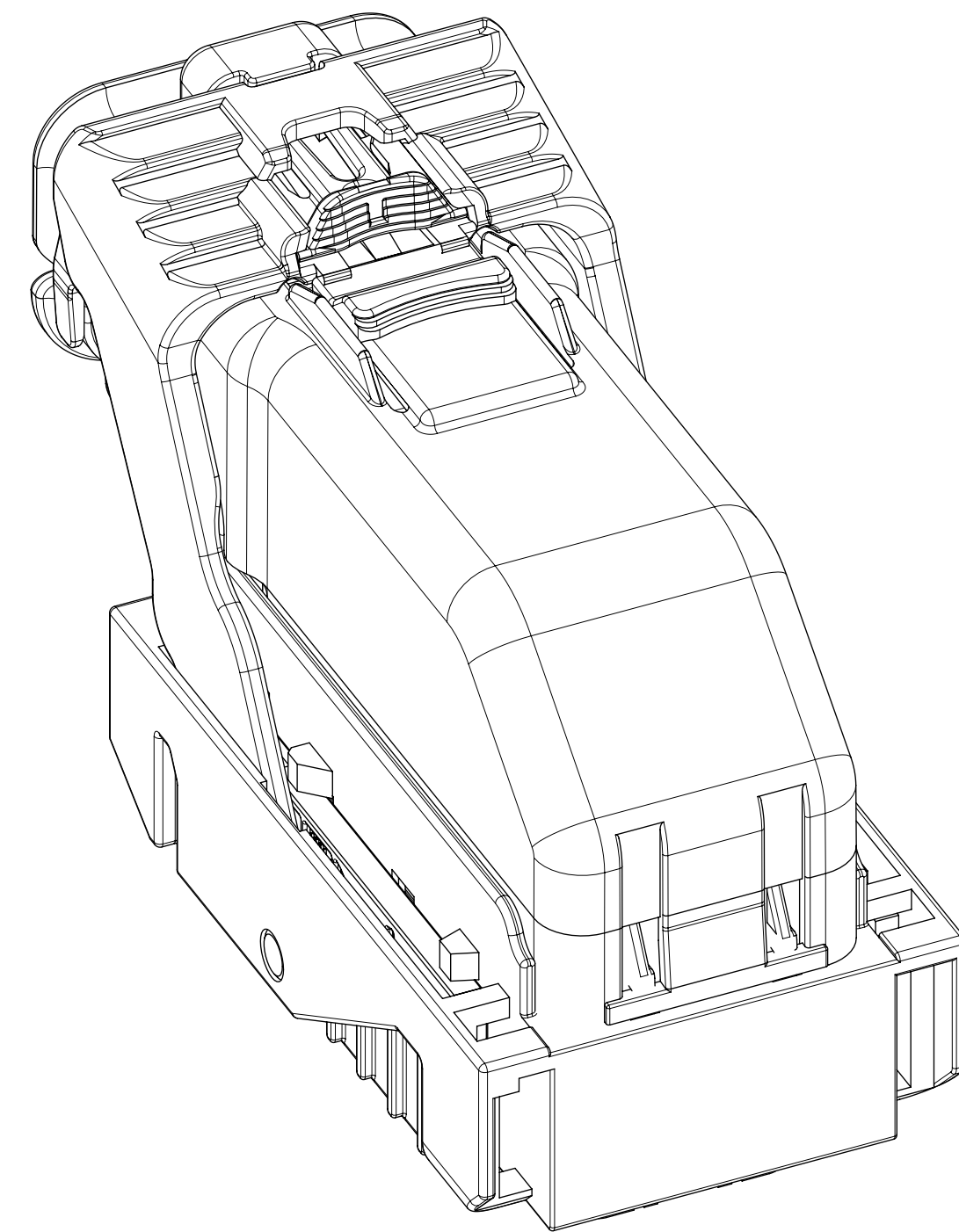


STATUS	GM PART #	HRNS CONN ASSY			TPA	GROMMET CAP																					
		MATERIAL/PART	WIRE DRESS OPTION	KEY OPTION Fp	COLOR OPTION Fp	NUMBERS INDICATE CAVITIES OPEN FOR CIRCUITS Fp																					
		NUMBER																									
SALEABLE	NOT APPLICABLE	34822-0583	0	A	BLACK						59	58	57	56		54	53			50		66					
									44										37	36	35	34	33				
						65					31		28		26	25	24	23			9	8		6			
SALEABLE	NOT APPLICABLE	34822-0593	0	A	BLACK	64	63	62		60	59		57	56	55	54	53		51		49		66				
						48	47	46	45			42			39		37		35		33						
						65					32													21		19	18
SALEABLE	NOT APPLICABLE	34566-9743	0	B	ST GRY	72	71	70	69	68	67		65	64	63		61	60	59		57	56	55	54	53		
								50	49	48	47	46		44	43	42		40	39		36	35	34	33			
						73					32	31	30	29	28	27	26	25	24	23	22	21					
SALEABLE	NOT APPLICABLE	34566-9753	0	C	BLUE	72	71	70	69		67	66	65	64				60									
						52	51	50	49		47	46	45	44		42	41	40	39								
						73						31	30	28			26	25	24	23	22	21	20				
SALEABLE	NOT APPLICABLE	34566-9763	0	G	BLUE			78	77	76									67	66	65						
																			47		45						
						40	39	38	37	36	35	34	33	32					29	28		26	25				22
SALEABLE	NOT APPLICABLE	34566-9773	0	A	BLACK	72	71	70			67	66							59								
						52	51	50			47	46							39		37		35				
						73							30	29	28	27	26						21				
SALEABLE	NOT APPLICABLE	34566-9783	0	B	ST GRY	72	71	70	69	68	67		65	64	63	62	61	60	59		57	56	55	54	53		
								50	49	48	47	46		44	43	42		40	39		36	35	34	33			
						73					32	31	30	29	28	27	26	25	24	23	22	21					
SALEABLE	NOT APPLICABLE	34822-0603	0	C	BLUE	64	63	62		60	59		57	56	55	54	53		51		49		66				
						48	47	46	45			42			39		37		35		33						
						65					32																19
SALEABLE	NOT APPLICABLE	34822-0613	0	A	BLACK		63	62	61		59					54	53						66				
																		35		33							
						65					31			28							24		22	21	20	19	18
SALEABLE	NOT APPLICABLE	34566-9793	9	B	ST GRY	72	71		69	68	67		65	64	63		61			58	57	56	55	54	53		
						52	51	50	49	48	47			44	43		41			38	37	36					
						73							14	13	12			26	25	24	23	22		20			
SALEABLE	NOT APPLICABLE	34566-9813	9	A	BLACK	72	71	70			67	66	65	64	63	62	61		59								
						52	51				47	46	45	44	43	42	41		39		37	36	35	34	33		
						73							30	29					25							18	17
SALEABLE	NOT APPLICABLE	34822-0623	0	A	BLACK	64	63	62		60	59		57	56	55	54	53	52	51	50	49		66				
						48	47	46	45			42			39		37	36	35	34	33						
						65					32	31	30	29	28	27	26	25	24	23	22						19
SALEABLE	NOT APPLICABLE	34566-9823	0	A	BLACK	72	71	70	69	68	67		65	64	63		61	60	59		57	56	55	54	53		
						52	51	50	49	48	47	46	45	44	43	42		40	39		36	35	34	33			
						73					32	31	30	29	28	27	26	25	24	23	22	21					
SALEABLE	NOT APPLICABLE	34822-0633	0	A	BLACK		63	62	61		59					54	53			49		66					
																		35		33							
						65					32	31		28						24		22	21	20	19	18	17
SALEABLE	NOT APPLICABLE	34822-0643	9	C	BLUE	64	63			60	59		57	56	55		53	52	51	50	49		66				
						48	47	46	45			42			39	38		36	35	34	33						
						65					32		30	29	28	27	26	25	24	23	22		20				18

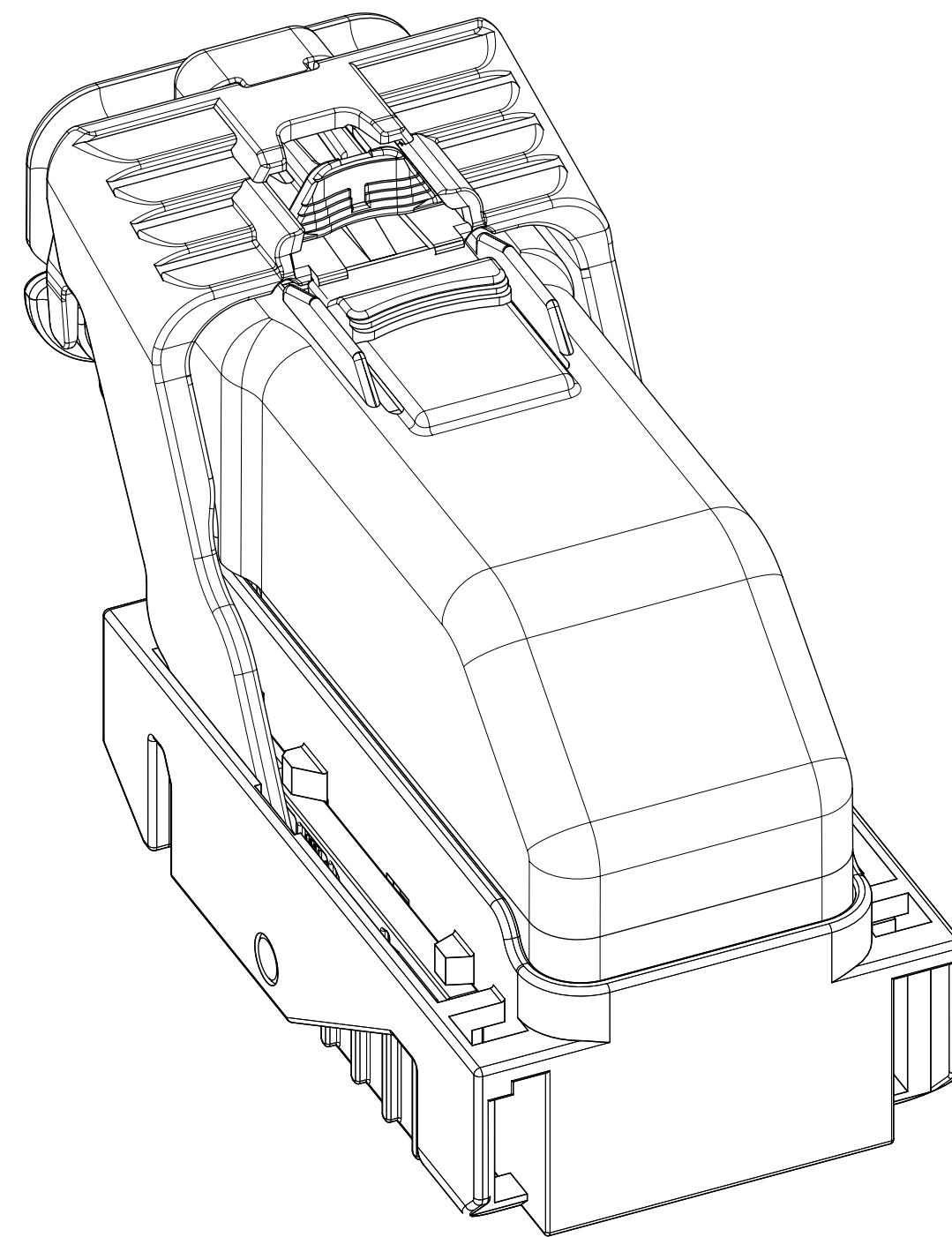
MX123 52/66/73/80-WAY RECEPTACLE ASSY SEALED PIN OUT SHEET

STATUS	GM PART #	HRNS CONN ASSY			TPA	GROMMET CAP																						
		MATERIAL/PART	WIRE DRESS OPTION	KEY OPTION 	COLOR OPTION 	NUMBERS INDICATE CAVITIES OPEN FOR CIRCUITS																						
		NUMBER																										
SALEABLE	NOT APPLICABLE	34822-0653	0	A	BLACK	64	63	62	61		59						54	53				49	66					
						65				31		28				38	37		24		22	21	20	19	18	17		
											15	14	13	12					8	7			4	3	2	1		
SALEABLE	NOT APPLICABLE	34566-9833	9	B	ST GRY	72	71	70	69	68	67			64	63		61			58	57	56	55	54	53			
						52	51	50	49	48	47			44	43		41			38	37	36				33		
						73				32		30	29	28		26	25	24	23	22	21	20						
SALEABLE	NOT APPLICABLE	34566-9843	9	A	BLACK	72	71	70			67	66	65	64	63	62	61			59					55	54	53	
						52	51	50			47	46	45	44	43	42	41	40	39			37	36	35	34	33		
						73						30	29												18	17		
SALEABLE	NOT APPLICABLE	34566-9853	9	B	ST GRY	72	71	70	69	68	67			65	64	63	62	61	60	59	58	57	56	55	54	53		
						52	51	50	49	48	47	46	45	44	43	42		40	39			36	35	34	33			
						73				32	31	30	29	28	27	26	25	24	23	22	21	20						
SALEABLE	NOT APPLICABLE	34566-9863	0	B	ST GRY	72	71	70	69	68	67			65	64	63	62	61	60	59			57	56	55	54	53	
						52	51	50	49	48	47	46	45	44	43	42		40	39			36	35	34	33			
						73				32	31	30	29	28	27	26	25	24	23	22	21							
SALEABLE	NOT APPLICABLE	34566-0004	0	A	BLACK	72	71	70	69		67			64	63		61	60	59			57	56	55	54	53		
						52	51			48			45	44	43		41	40	39	38	37	36	35	34	33			
						73						31	30	29		27	26	25		22			19	18				
SALEABLE	NOT APPLICABLE	34566-0014	0	G	BLUE	80	79	78	77		75								66	65	64		62					
							59		57										46			43	42	41				
							39	38	37		35		33	32		30				26	25	24		22	21			
SALEABLE	NOT APPLICABLE	34566-0024	0	G	BLUE	20		18	17	16	15			12				8	7	6	5		3	2	1			
SALEABLE	NOT APPLICABLE	34566-0034	0	G	BLUE	80	79	78			75							66	65	64		62						
							59		57				53						46			43	42	41				
							39	38	37		35		33	32		30				26	25	24		22	21			
SALEABLE	NOT APPLICABLE	34566-0044	0	A	BLACK	72	71	70	69		67			64			61	60	59			57	56	55	54	53		
						52	51			48			45	44			41	40	39	38	37	36	35	34	33			
						73						31	30	29		27	26	25		22			19	18				
SALEABLE	NOT APPLICABLE	34566-0054	0	G	BLUE	80	79	78	77		75							66	65	64		62						
							59		57										46			43	42	41				
							39	38	37		35		33			30				26	25	24		22	21			
SALEABLE	NOT APPLICABLE	34566-0064	0	A	BLACK	72	71	70	69		67			64	63		61	60	59			57	56	55	54	53		
						52	51			48			45	44	43		41	40	39	38	37	36	35	34				
						73						31	30	29		27	26	25		22			19	18				
SALEABLE	NOT APPLICABLE	34566-0084	0	A	BLACK			70	69		67			64			61	60	59			57	56	55	54	53		
						52	51			48			45	44			41	40	39	38	37	36	35	34	33			
						73						16	15	14	13	12	11	10		8	7	6	5		3	2		
SALEABLE	NOT APPLICABLE	34566-0094	0	B	ST GRY	72	71	70	69	68	67			65	64	63	62	61	60	59			57	56	55	54	53	
						52	51	50	49	48	47	46	45	44	43	42		40	39			36	35	34	33			
						73				32	31	30	29	28	27	26	25	24	23	22	21							
SALEABLE	NOT APPLICABLE	34566-0104	0	B	ST GRY	72	71	70	69	68	67			65	64	63	62	61	60	59			57	56	55	54	53	
								50	49	48	47	46		44	43	42		40	39			36	35	34	33			
						73				32	31	30	29	28	27	26	25	24	23	22	21							
SALEABLE	NOT APPLICABLE	34566-0104	0	B	ST GRY																							
						73				16	15	14	13	12	11	10	9		7	6		4	3	2				





TYPE 2



TYPE 1

NOTES: UNLESS OTHERWISE SPECIFIED

1. MATERIAL:

- A. RESIN: SEE COMPONENT DRAWINGS
- B. FOR BILL OF MATERIALS: SEE TABLE

2. DESIGN - GENERAL:

- A. THIS IS A 100% CAD GENERATED PART. THE CAD MATHEMATICAL DATA IS THE MASTER FOR THIS PART. FOR DIMENSIONAL OR ANY INFORMATION NOT SHOWN ON THIS DRAWING, ANALYZE THE CAD MODEL.
- B. TOLERANCES:
  - a. LINEAR X.X ± 0.30  
X.XX ± 0.10  
X.XXX ± 0.10
  - b. ANGULAR X° ± 3.0°
- C. CORNERS SHOWN AS SHARP TO BE R 0.2 MAX.
- D. FOLLOWING PRODUCTION CODES TO BE PERMANENTLY MARKED & HUMAN READABLE TO A LETTER HEIGHT <3mm.  
LINE #1: MATERIAL #:XXXX-XXXX  
LINE #2: DATE CODE: JJYY (JULIAN DAY, LAST DIGIT OF YEAR)  
LINE #3: INSPECTION MACHINE CODE + SERIAL #: X.XXXXX
- E-1. PARTS MUST BE FREE OF DISCOLORATION, SALT RESIDUE AND OTHER IMPERFECTIONS THAT AFFECT FIT OR FUNCTION.
- E-2. SCRATCHES OR DENTS NOT TO EXCEED 0.13mm IN DEPTH.
- F. CHANGES IN DESIGN FROM PART PREVIOUSLY APPROVED REQUIRES PRIOR ENGINEERING APPROVAL. THIS INCLUDES BUT IS NOT LIMITED TO DRAFT, MATERIAL OR PROCESSING.
- G. SHALL CONFORM TO THE FOLLOWING PACKAGING SPECIFICATION : PK-31300-019

3. DESIGN - MANUFACTURING:

- A. DRAFT TO BE WITHIN TOLERANCE.
- B. ALLOWABLE FLASH 0.2 MAX HIGH X 0.13 MAX THICK.
- C. ALLOWABLE PARTING LINE MISMATCH 0.2 MAX.
- D. EJECTOR PINS MARK TO BE FLUSH TO 0.25 MAX DEPRESSED.
- E. ALLOWABLE GATE VESTIGE TO BE FLUSH TO 0.25 MAX PROTRUSION.

4. SYSTEM REQUIREMENTS:

WHEN TESTED TO SAE/USCAR-2 REV: 3, APRIL 2001, AND GMW #3191, AUGUST 22, 2000 (DRAFT).

A. TPA (WITHOUT TERMINALS)

- a. INSERTION FORCE FROM PRE-SET TO LOCK: ≥20N
- b. REMOVAL FORCE FROM PRE-SET: ≥20N

B. CPA

- a. INSERTION FORCE FROM PRE-SET TO LOCK WITH CONNECTOR UN-MATED: ≥60N
- b. REMOVAL FORCE FROM PRE-SET: ≥30N

C. GROMMET CAP

- a. REMOVAL FORCE FROM HOUSING WITH ENGAGED LATCHES: ≥110N

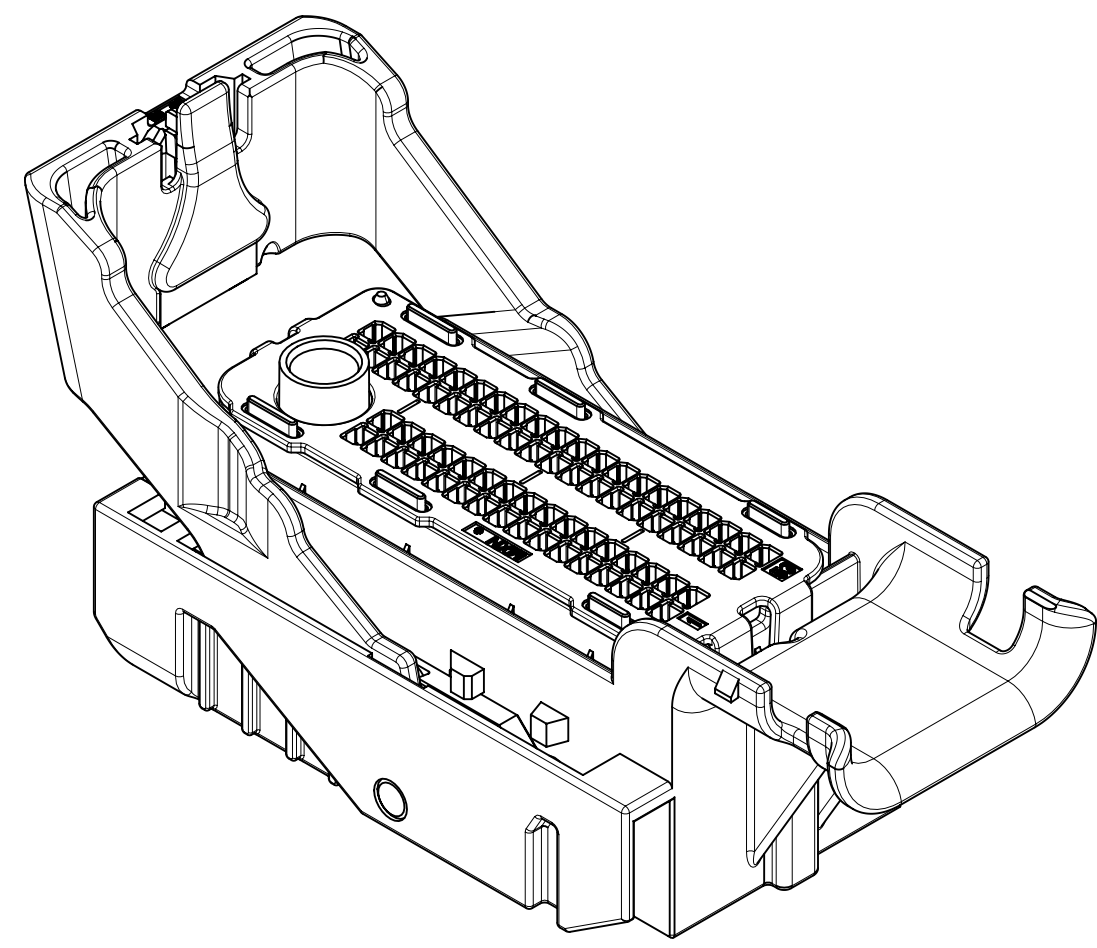
D. MATE ASSIST LEVER

- a. INADVERTENT ACTUATION FORCE DURING SHIPPING, HANDLING OR PRE-ASSEMBLY: ≥150N

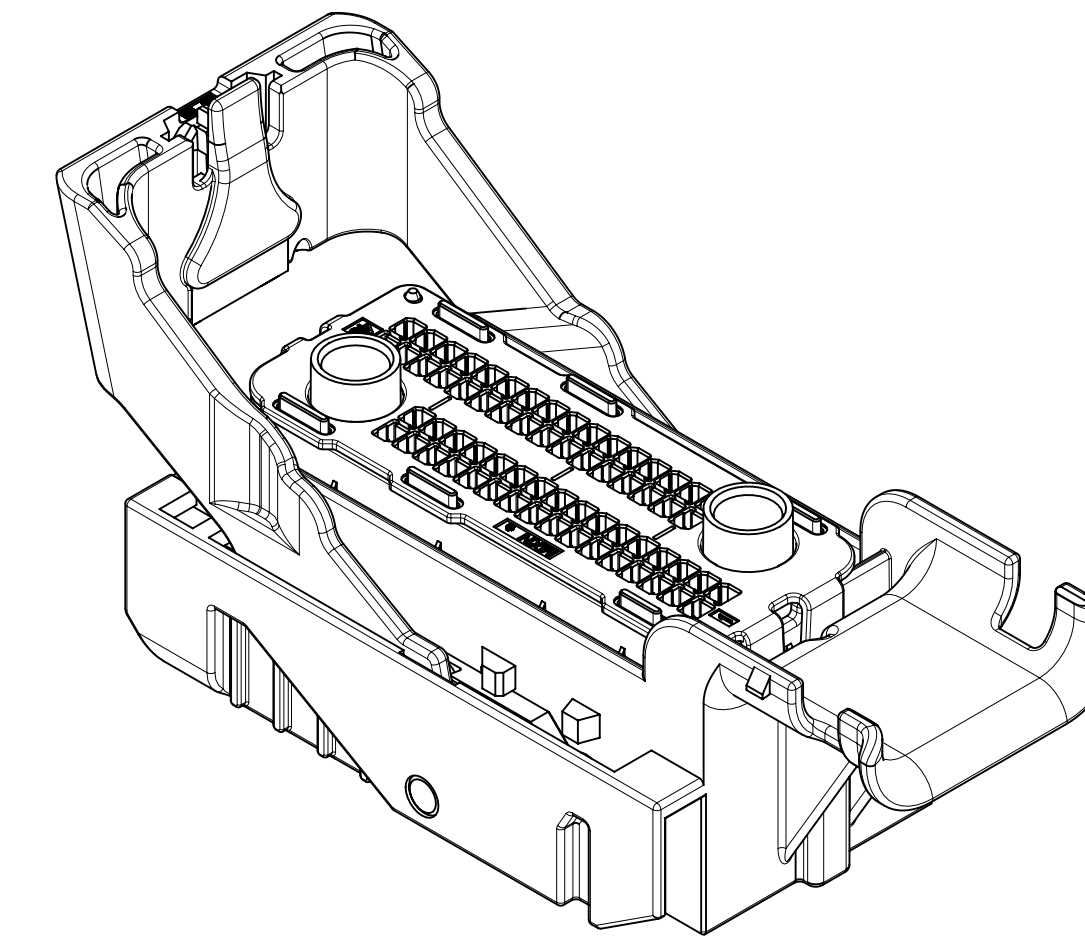
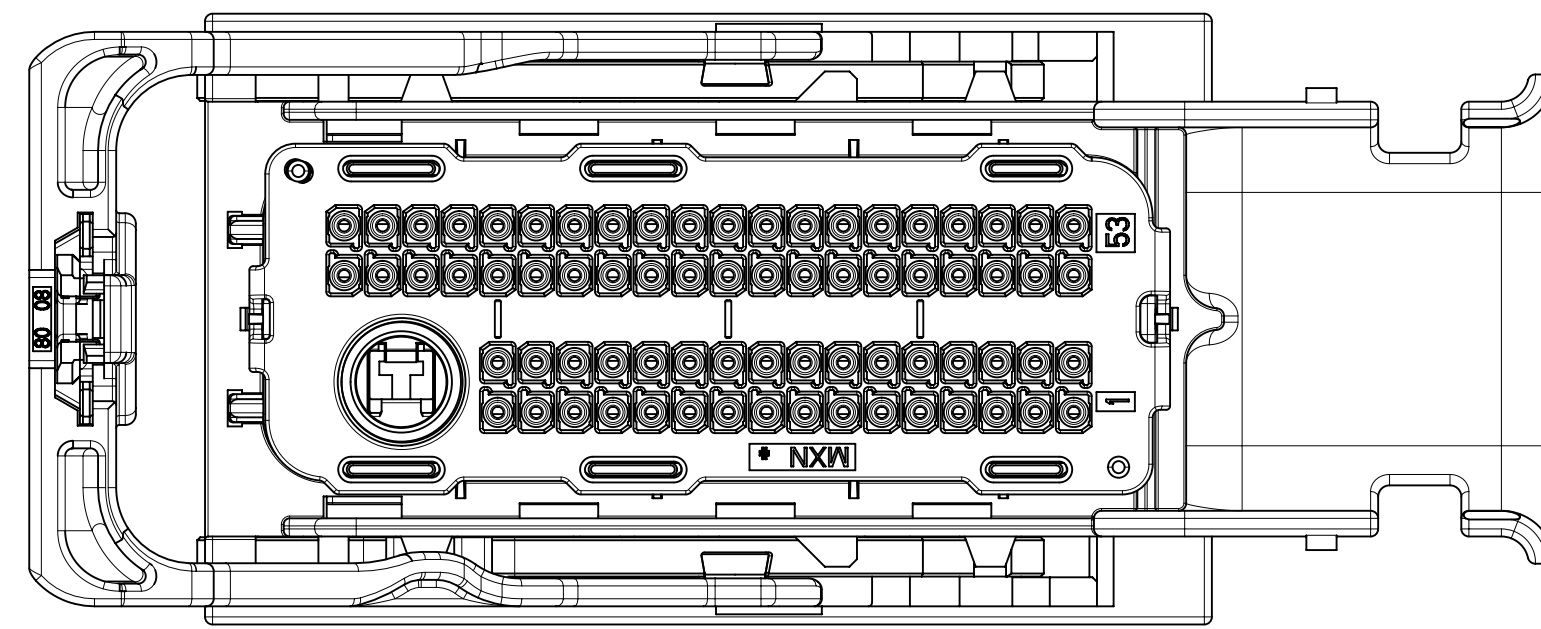
BOM		
CIRCUIT	TYPE-1	TYPE-2
73	345667301	2167390001
80	345668001	2167380001
66	348226601	2167410001

G65	TYPE-2 OPTION ADDED
G64	MIGRATED FROM ECTR TO TC
G63	CHANGE DIMENSION 47.92 AND 89.2+0.50 POSITION: CHANGE > TO ≥ IN NOTES 4; TAKE OFF MODEL NUMBERS IN SHEET 2-4
G62	UPDATE ALL VIEWS IN SHEET 1, SHEET 2 AND SHEET 3
G61	BOM MIGRATE TO 345660001-SD.pdf
G60	ADD NEW PIN CONFIGURATION 34822-0253 thru 34822-0293 , 34566-8773 thru 34566-8983, 34576-7663 thru 34576-7723
G59	UPDATED HARNESS ASSY PART# DESCRIPTIONS
G58	ADD NEW PIN CONFIGURATION 34566-8743 34566-8753 34566-8763 34822-0243
G56	TO RESOLVE ISSUES WITH VIEWS ON SHEETS 1, 2, 3 AND 4
G55	ADDED HARNESS CONNECTOR ASSEMBLY PART NUMBERS
G54	ADDED KNOCKOUT PATTERNS
G53	UPDATED DRAWING TO INCLUDE ISO WIRE AND AWG WIRE HRNS CONN ASSEMBLY PART NUMBERS
G52	ADD NEW PIN CONFIGURATION 34566-8613 34566-8623
G51	ADD NEW PIN CONFIGURATION 34566-8563 34566-8573 34566-8583 34566-8593 34822-0183 34822-0193 34822-0203 34822-0213
G50	ADD NEW PIN CONFIGURATION 34566-8543 34566-8553
G49	ADD NEW PIN CONFIGURATION 34566-8443 34566-8453 34566-8463 34566-8473 34566-8483 34566-8493 34566-8513 34566-8523 34566-8533
G48	ADD NEW PIN CONFIGURATION 34566-8393 34566-8413 34566-8423 34566-8433
G47	SHEETS SEQUENCE ARE CORRECTED
G46	ADD NEW PIN CONFIGURATION 34566-8223 34566-8233 34566-8243 34566-8253 34566-8263 34566-8273 34566-8283 34566-8293 34566-8313 34566-8323 34566-8333 34566-8343 34566-8353 34566-8363 34566-8373 34566-8383
G45	NX RE-MASTERING
G44	ADD NEW PIN CONFIGURATION 34566-8173
G43	ADD NEW PIN CONFIGURATION 34566-8163 34566-2493 SAME AS P/N 34566-3863
REV	DESCRIPTION

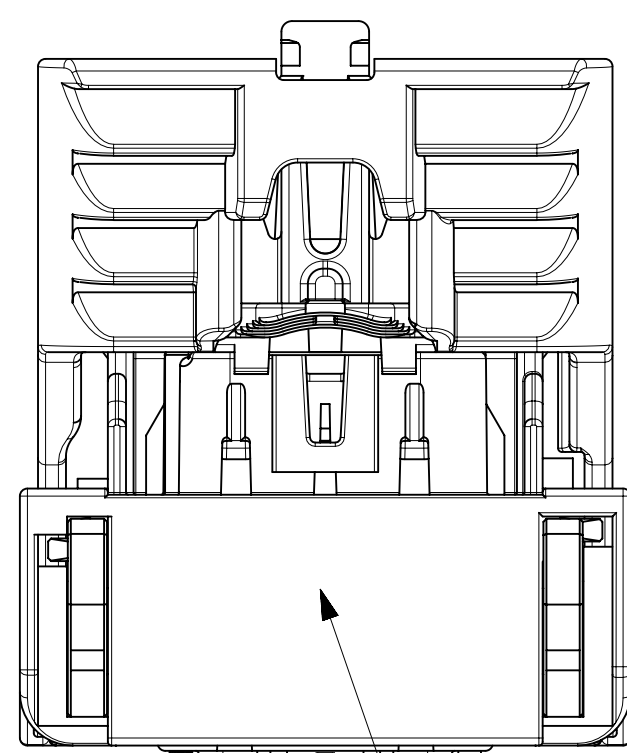
FUNCTIONAL SYMBOLS	THIS DRAWING CONTAINS INFORMATION THAT IS PROPRIETARY TO MOLEX ELECTRONIC TECHNOLOGIES, LLC AND SHOULD NOT BE USED WITHOUT WRITTEN PERMISSION		CURRENT REV DESC: SEE REVISION TABLE		
	$\frac{F}{A} = 0$ $\frac{F}{C} = 0$ $\frac{F}{P} = 0$	DIMENSION UNITS: <b>mm</b> SCALE: <b>2:1</b>	PHASE: Design Production CO NO: CO-00000304 DRWN: Kevin Kang 2022-04-28 CHK'D: Anil Kumar M S 2022-06-28 APPR: Brad Dick 2022-07-12		
DIVISIONAL SYMBOLS	GENERAL TOLERANCES (UNLESS SPECIFIED) ANGULAR TOL ± 0.5° 4 PLACES ± 3 PLACES ± 2 PLACES ± 1 PLACE ± 0 PLACES ±	INITIAL REVISION: DRWN: RFC_PLMIMP APPR:		DOCUMENT NUMBER: <b>SD-34566-001</b> DOC TYPE: PSD DOC PART: 000 REVISION: <b>G65</b>	
DRAFT WHERE APPLICABLE MUST REMAIN WITHIN DIMENSIONS		THIRD ANGLE PROJECTION 	DRAWING: <b>D-SIZE</b> SERIES: <b>34566</b>	MATERIAL NUMBER: <b>34566-001</b> CUSTOMER: <b>GENERAL MARKET</b>	SHEET NUMBER: <b>1 OF 11</b>



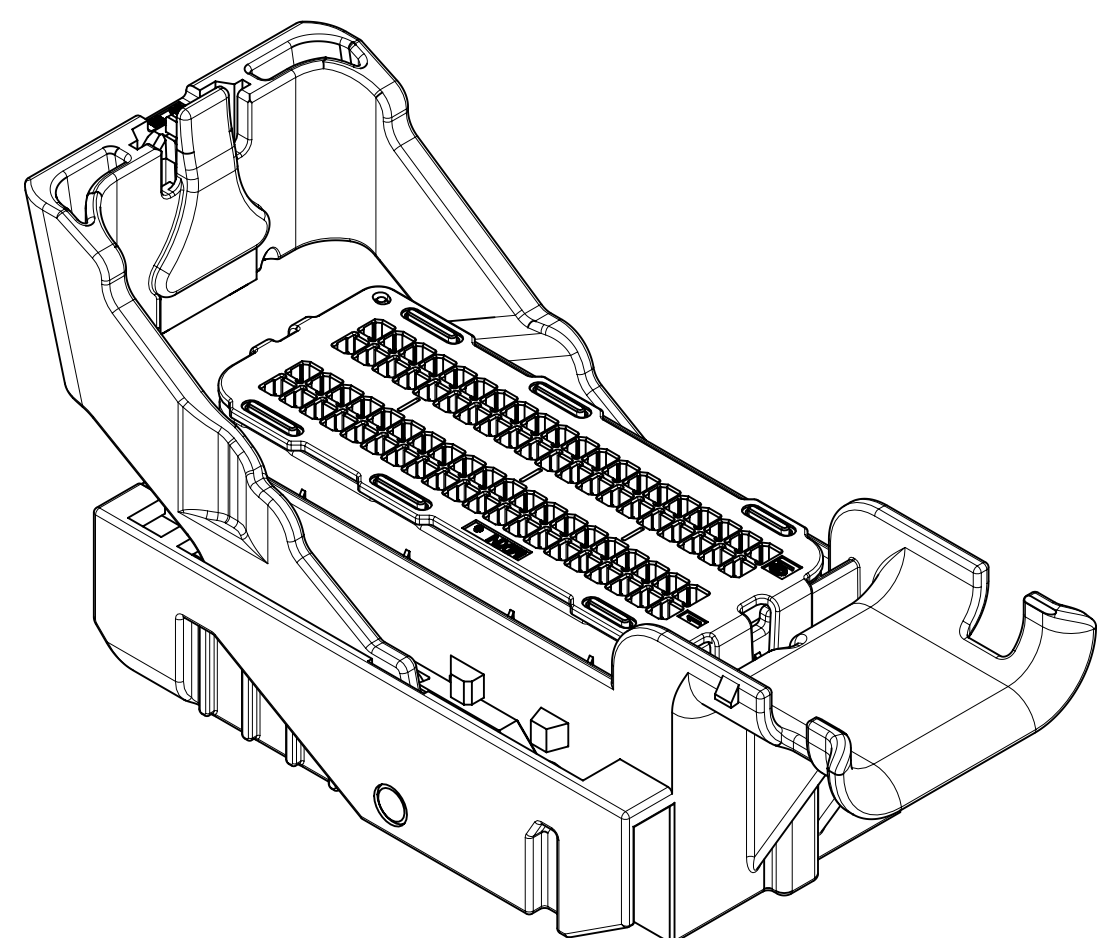
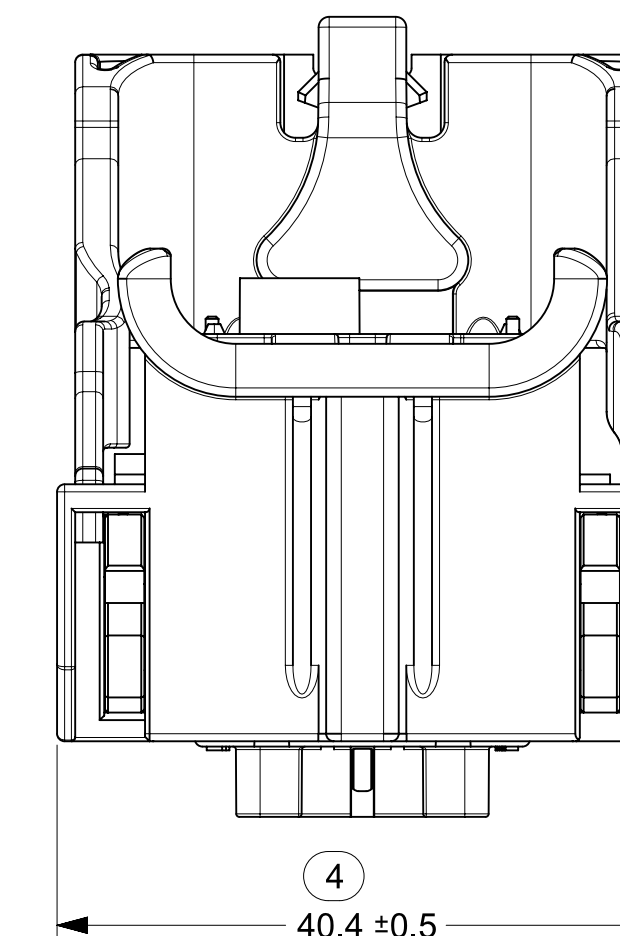
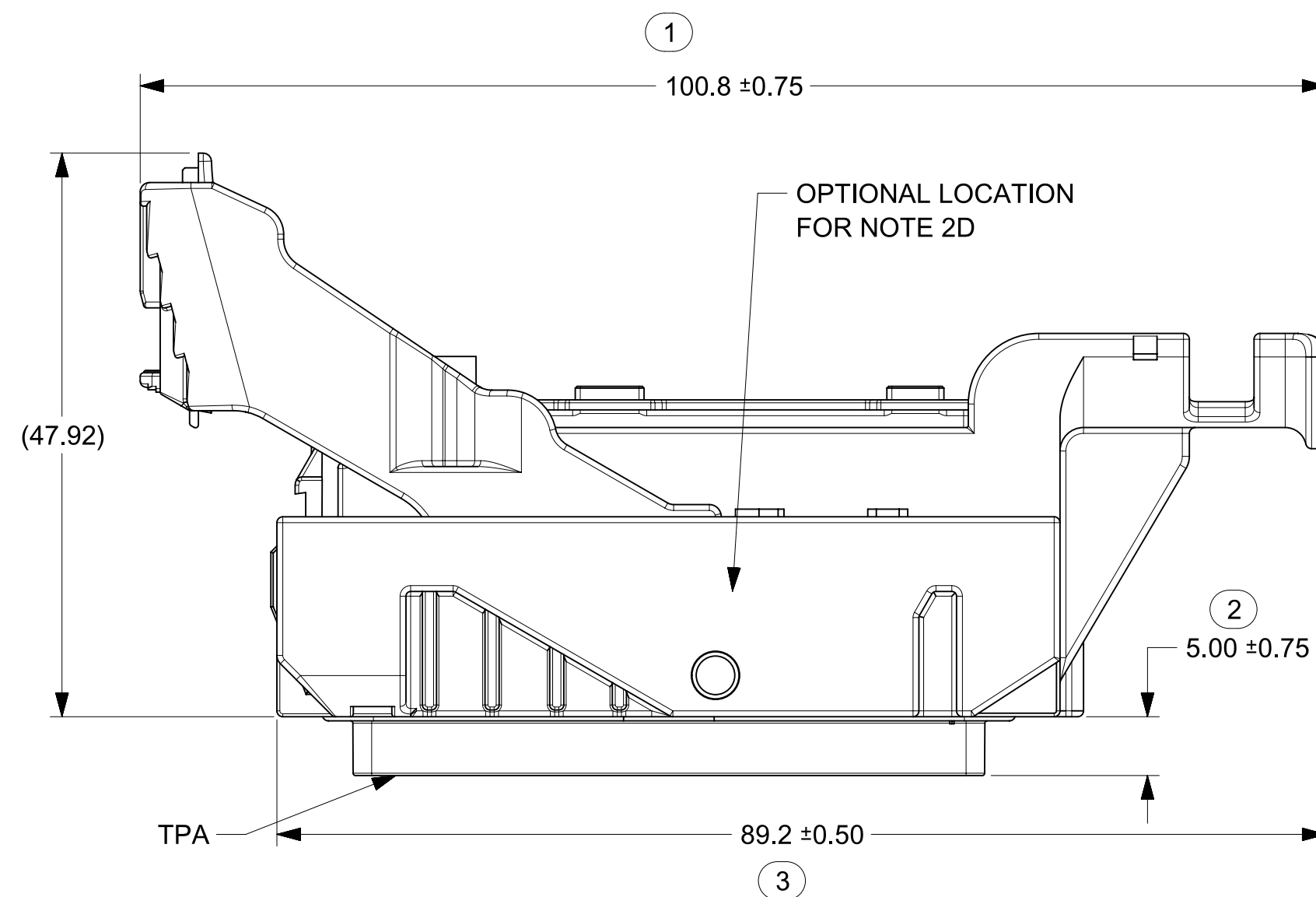
73 CKT  
SCALE 3:2



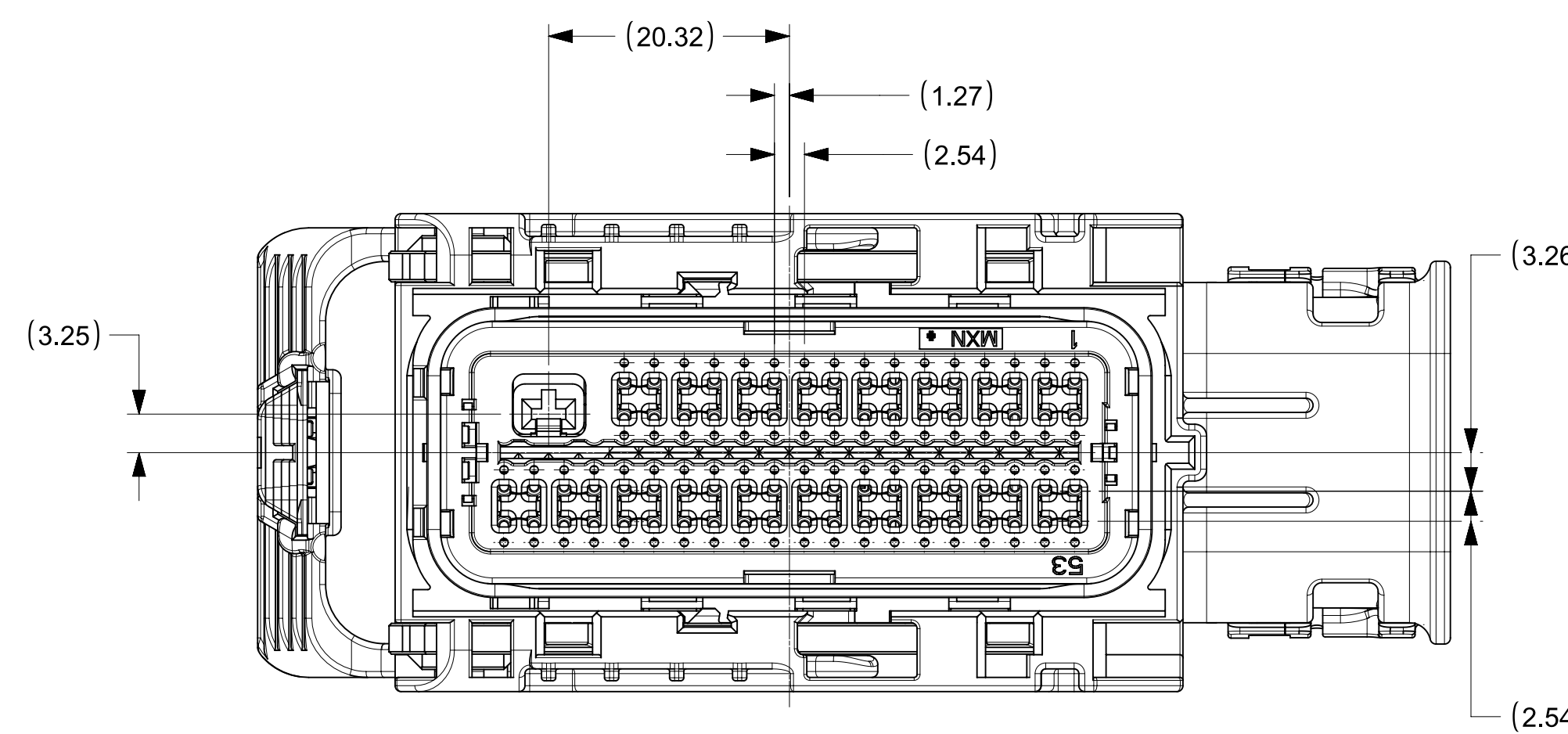
66 CKT  
SCALE 3:2



RECOMMENDED LOCATION  
FOR NOTE 2D



80 CKT  
SCALE 3:2



FUNCTIONAL SYMBOLS	THIS DRAWING CONTAINS INFORMATION THAT IS PROPRIETARY TO MOLEX ELECTRONIC TECHNOLOGIES, LLC AND SHOULD NOT BE USED WITHOUT WRITTEN PERMISSION		CURRENT REV DESC: SEE REVISION TABLE	
	DIMENSION UNITS	SCALE		
FA = 0	mm	2:1		
FC = 0	GENERAL TOLERANCES (UNLESS SPECIFIED)			
FD = 0	ANGULAR TOL ± 0.5°			
DIVISIONAL SYMBOLS	4 PLACES	±	PHASE: Design Production	
	3 PLACES	±	CO NO: CO-00000304	
	2 PLACES	±	DRWN: Kevin Kang 2022-04-28	
	1 PLACE	±	CHK'D: Anil Kumar M S 2022-06-28	
0 PLACES	±	APPR: Brad Dick 2022-07-12		
DRAFT WHERE APPLICABLE MUST REMAIN WITHIN DIMENSIONS		THIRD ANGLE PROJECTION	DRAWING	SERIES
			D-SIZE	34566
		MATERIAL NUMBER		CUSTOMER
		SD-34566-001		GENERAL MARKET
		DOC TYPE	DOC PART	REVISION
		PSD	000	G65
		SHEET NUMBER		
		2 OF 11		

**molex**

MX123  
66/73/80CKT HRNS CONN ASSY

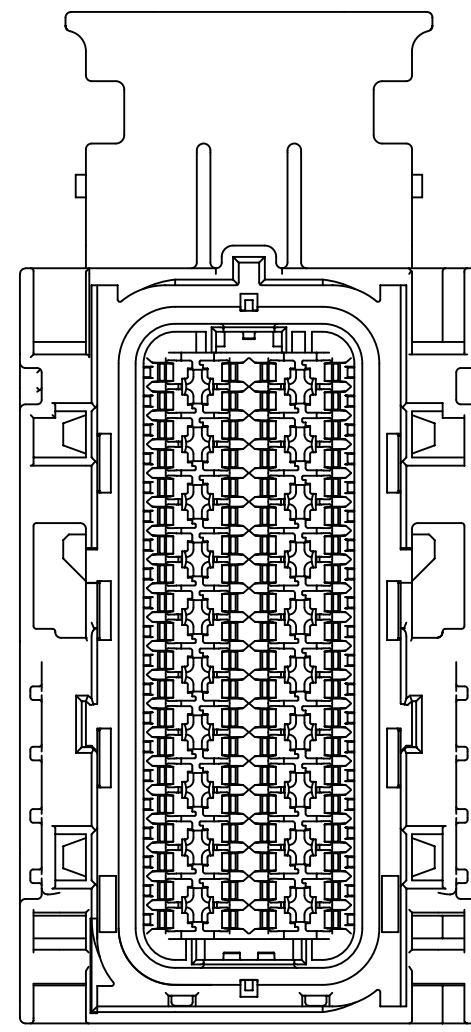
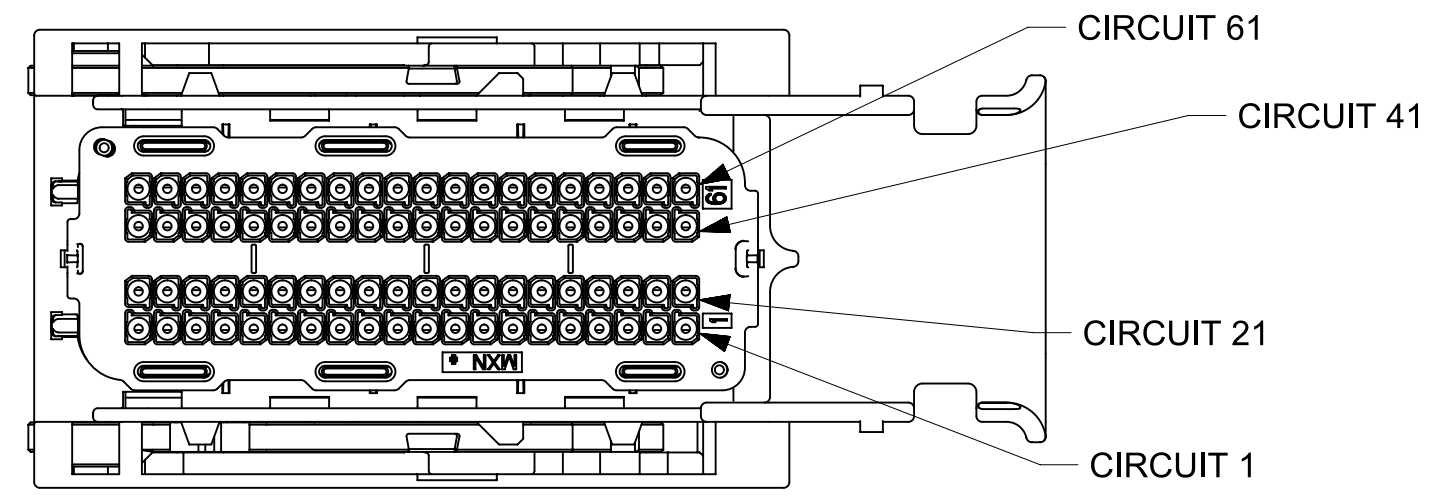
PRODUCT SALES DRAWING

DOCUMENT NUMBER: SD-34566-001  
DOC TYPE: PSD  
DOC PART: 000  
REVISION: G65

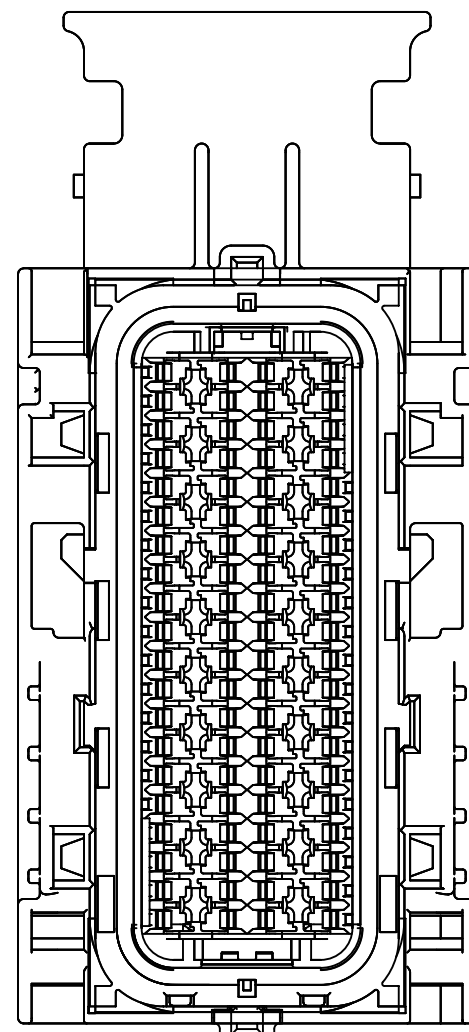
MATERIAL NUMBER: GENERAL MARKET  
CUSTOMER: GENERAL MARKET  
SHEET NUMBER: 2 OF 11

HOUSING ONLY, SHOWN FOR CLARITY

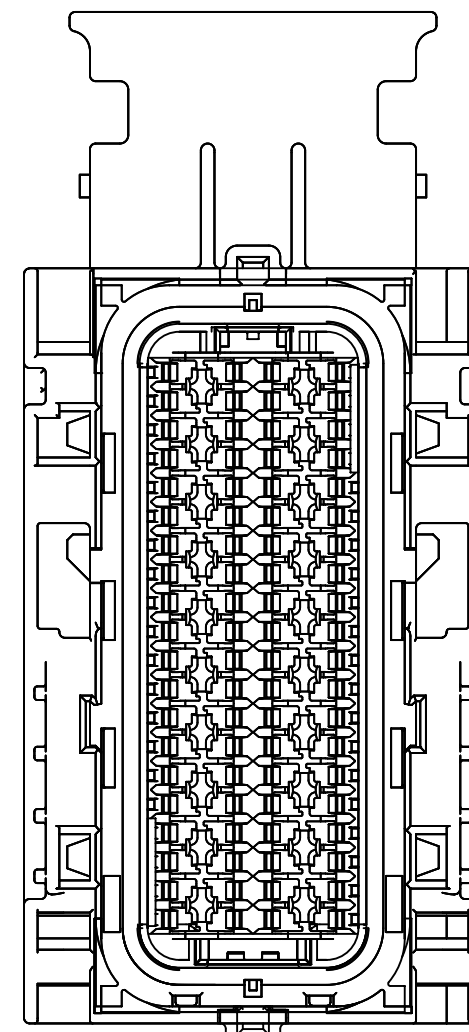
80 CKT  
WIRE DRESS OPTION 0



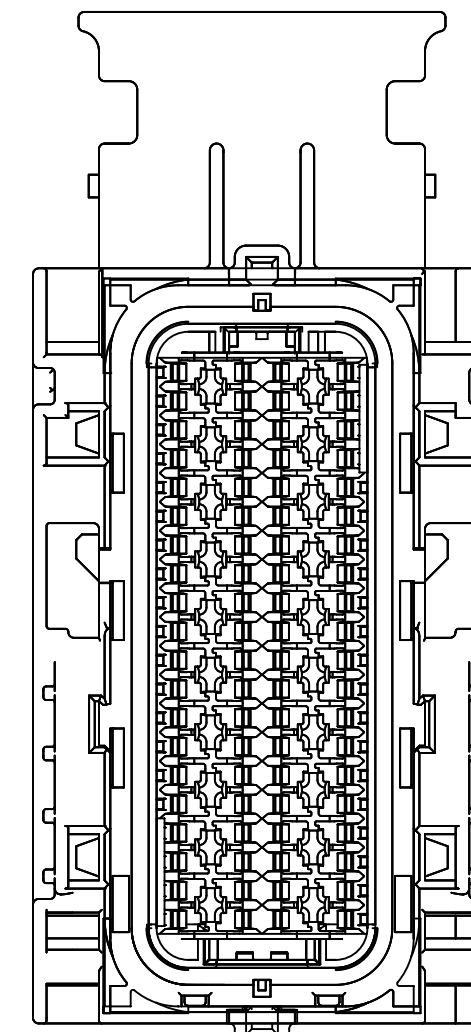
KEY G



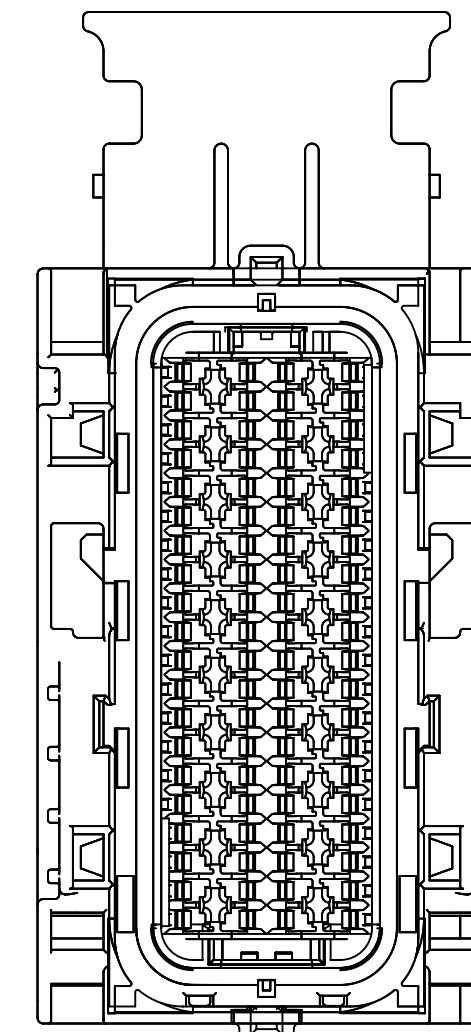
KEY H



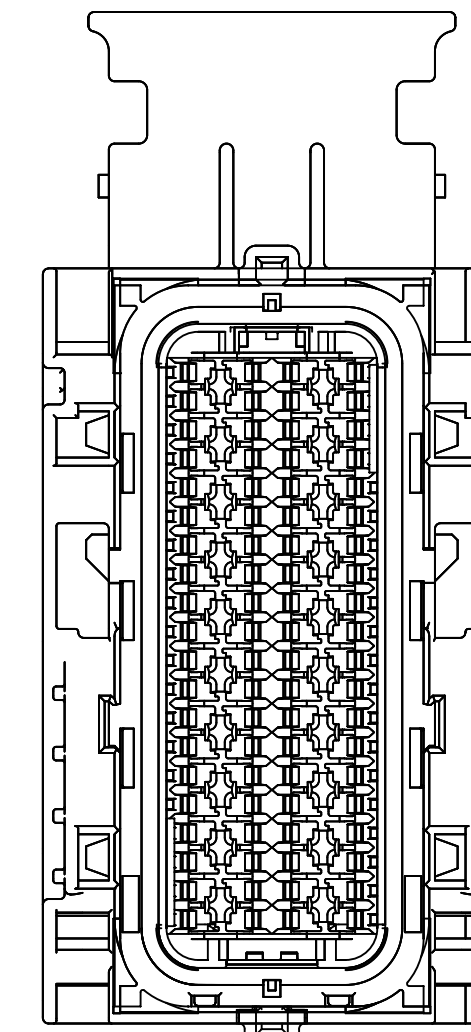
KEY J



KEY K

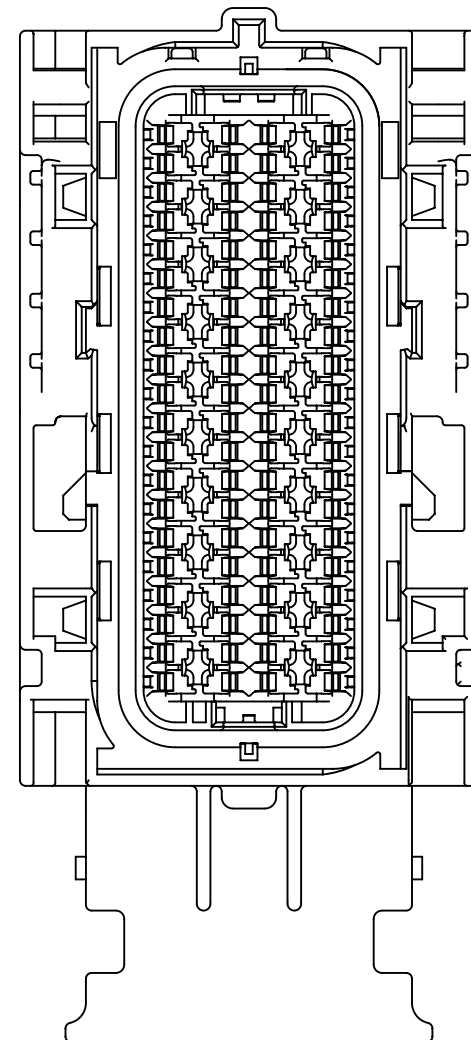
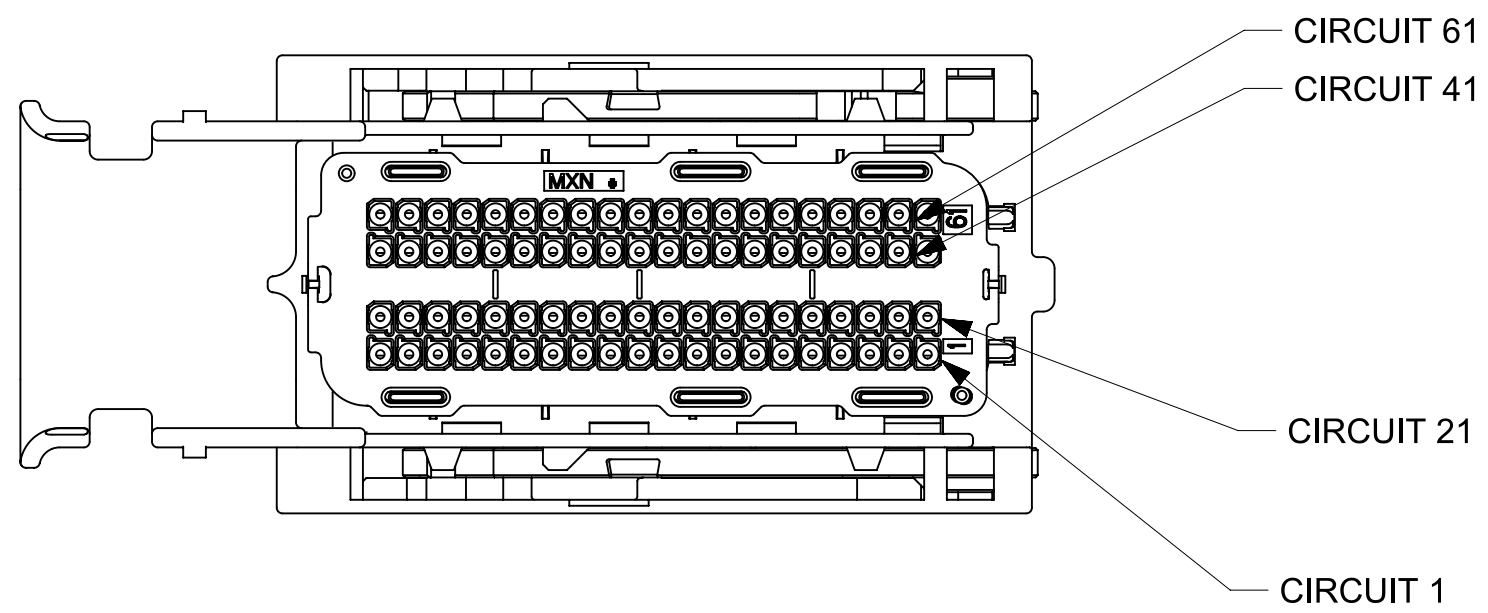


KEY L

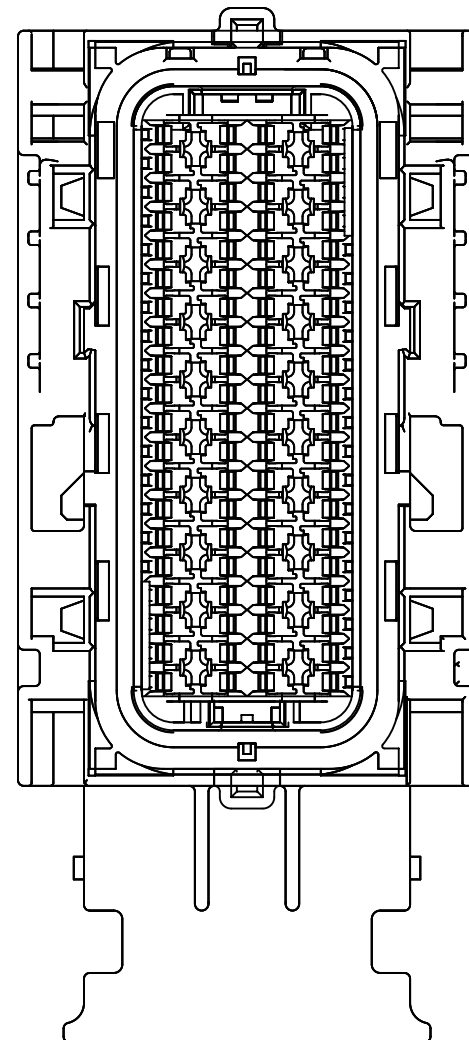


KEY M

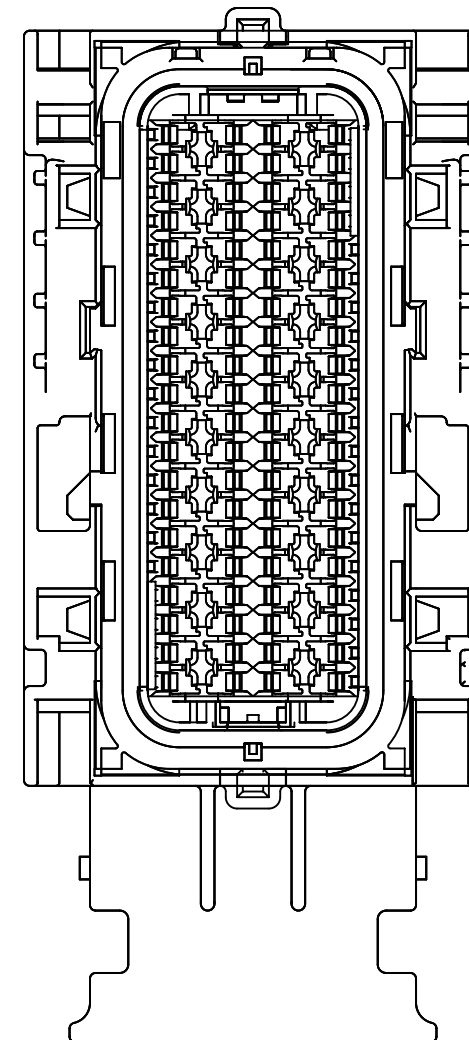
WIRE DRESS OPTION 9



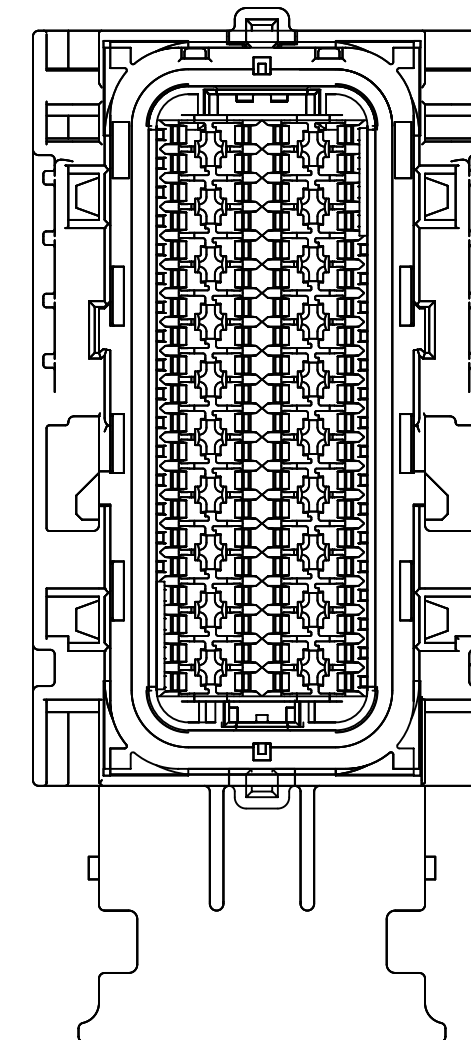
KEY G



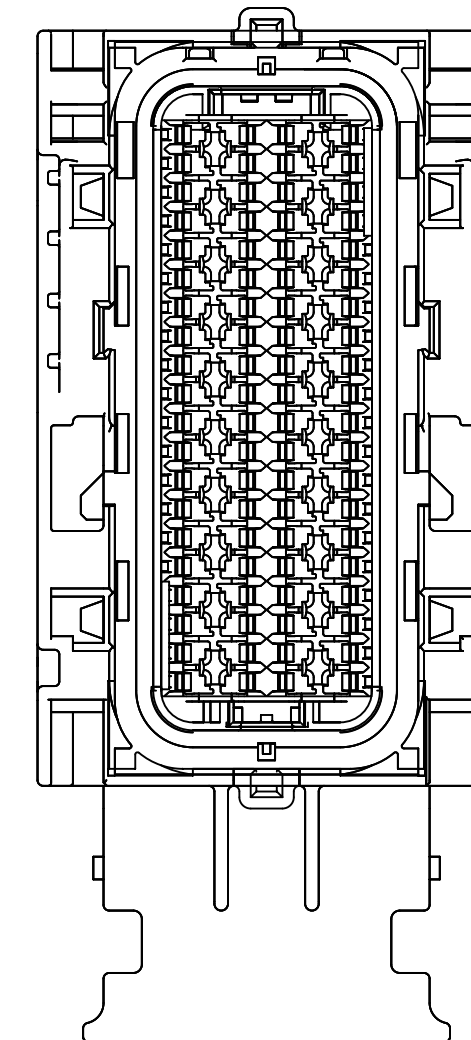
KEY H



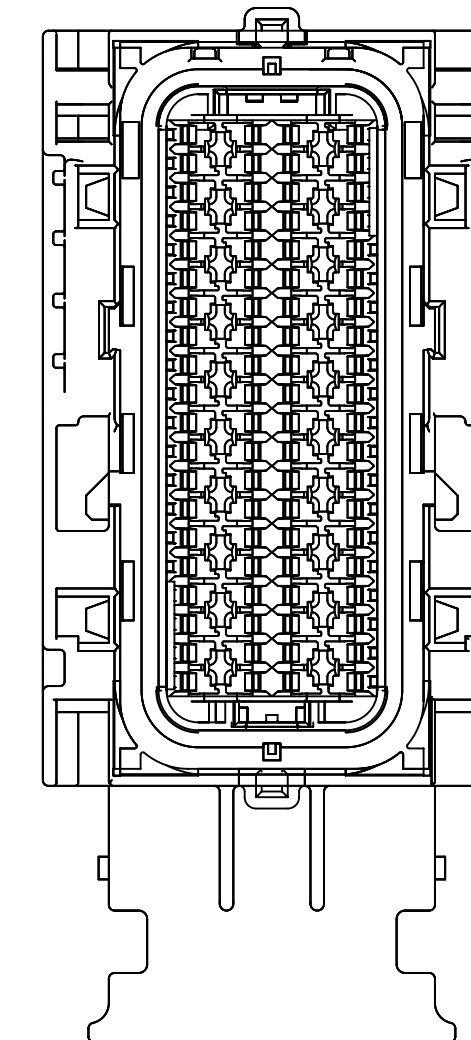
KEY J



KEY K



KEY L



KEY M

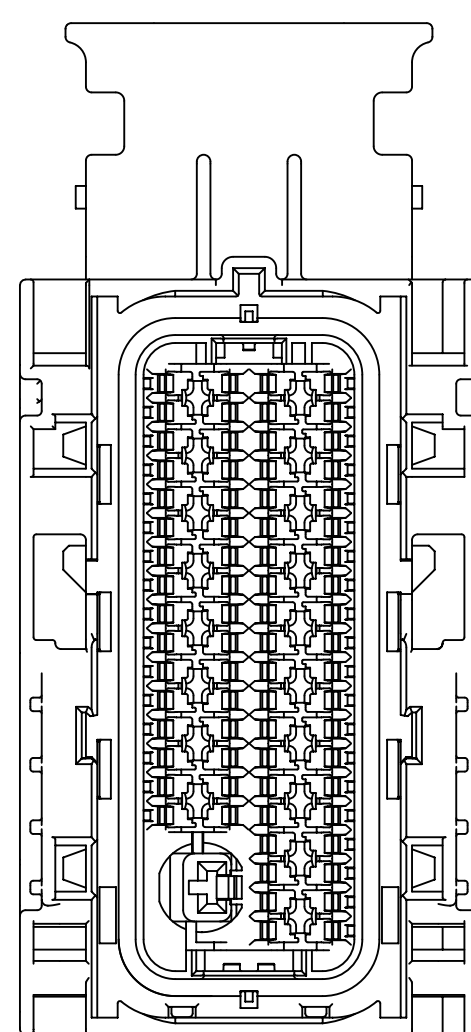
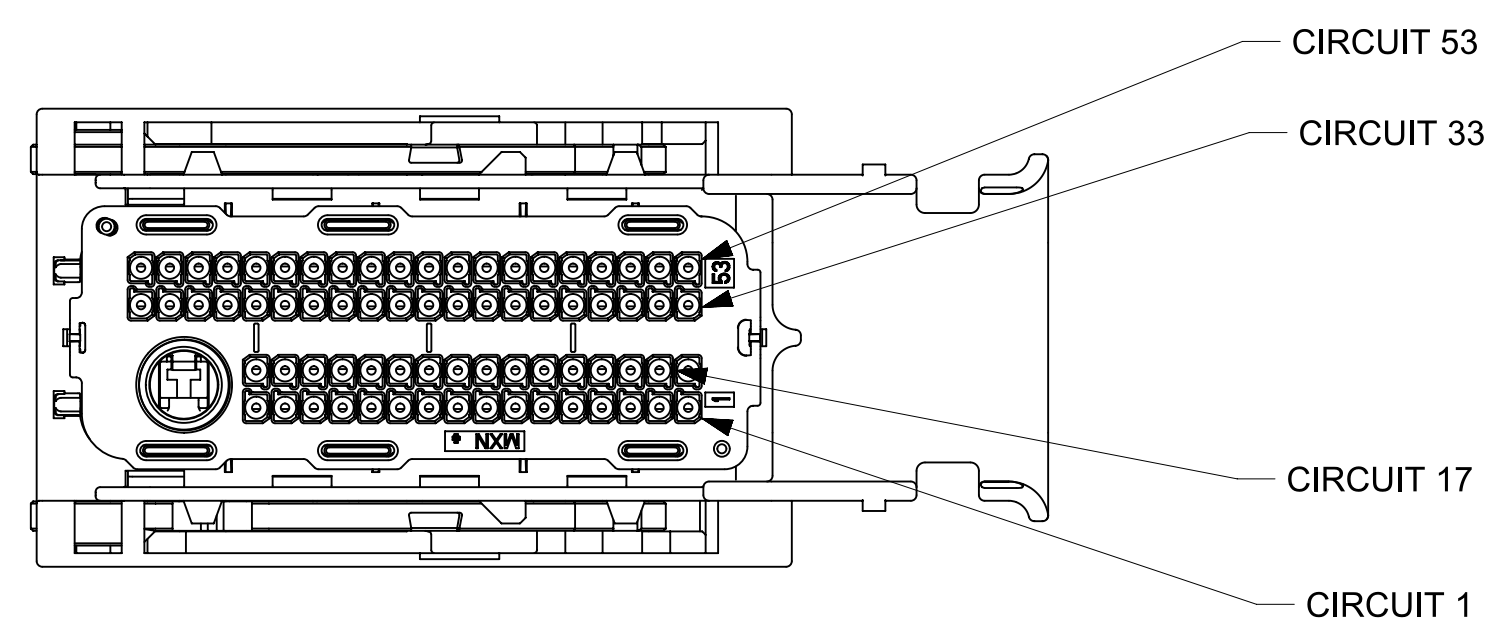
FUNCTIONAL SYMBOLS	THIS DRAWING CONTAINS INFORMATION THAT IS PROPRIETARY TO MOLEX ELECTRONIC TECHNOLOGIES, LLC AND SHOULD NOT BE USED WITHOUT WRITTEN PERMISSION		CURRENT REV DESC: SEE REVISION TABLE	
	DIMENSION UNITS	SCALE		
$\nabla_A = 0$	mm	3:2		
DIVISIONAL SYMBOLS	GENERAL TOLERANCES (UNLESS SPECIFIED)			
	ANGULAR TOL $\pm 0.5^\circ$			
	4 PLACES	$\pm$	PHASE: Design Production	
	3 PLACES	$\pm$	CO NO: CO-00000304	
	2 PLACES	$\pm$	DRWN: Kevin Kang 2022-04-28	
	1 PLACE	$\pm$	CHK'D: Anil Kumar M S 2022-06-28	
	0 PLACES	$\pm$	APPR: Brad Dick 2022-07-12	
DRAFT WHERE APPLICABLE MUST REMAIN WITHIN DIMENSIONS		THIRD ANGLE PROJECTION	DRAWING	SERIES
			D-SIZE	34566
		MATERIAL NUMBER		CUSTOMER
		SD-34566-001		GENERAL MARKET
		DOC TYPE	DOC PART	REVISION
		PSD	000	G65
		SHEET NUMBER		
		3 OF 11		



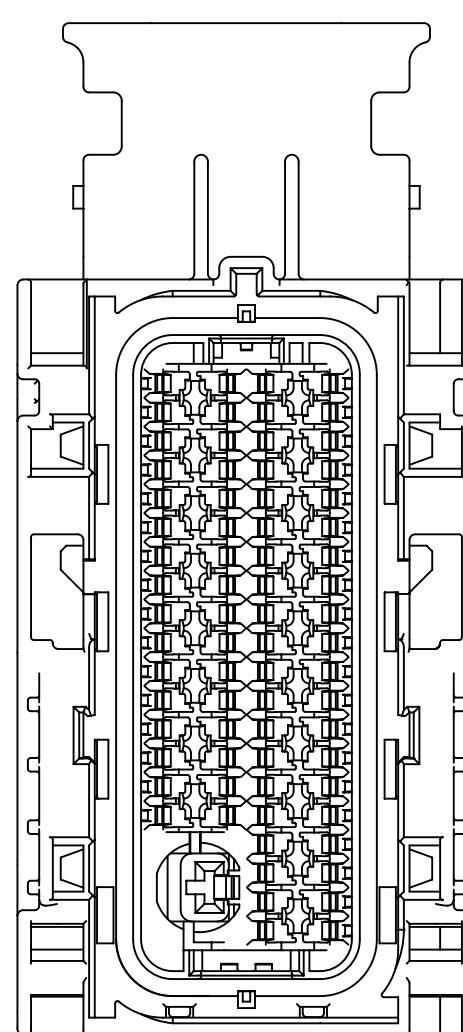
73 CKT

WIRE DRESS OPTION 0

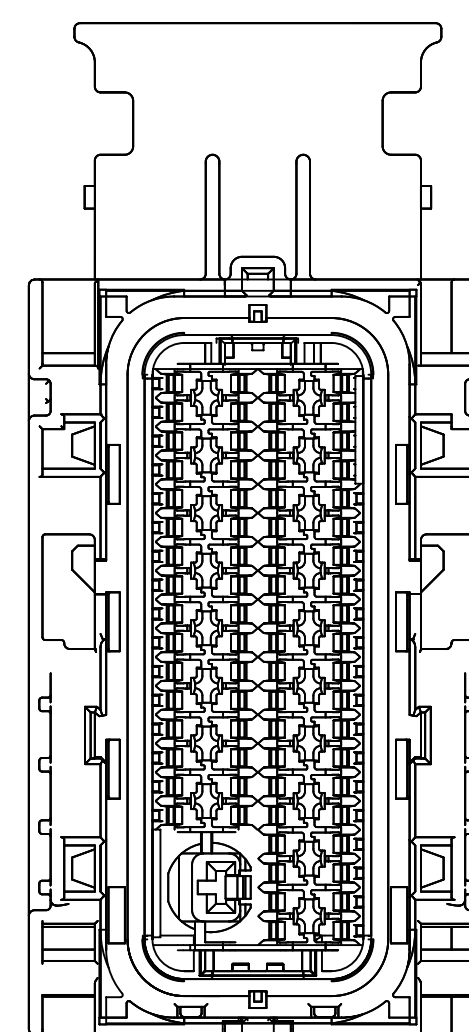
HOUSING ONLY, SHOWN FOR CLARITY



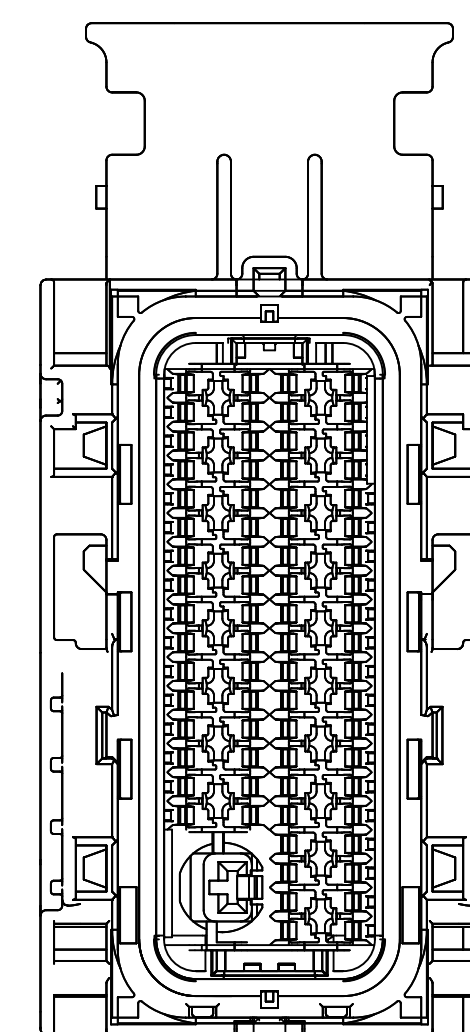
KEY A



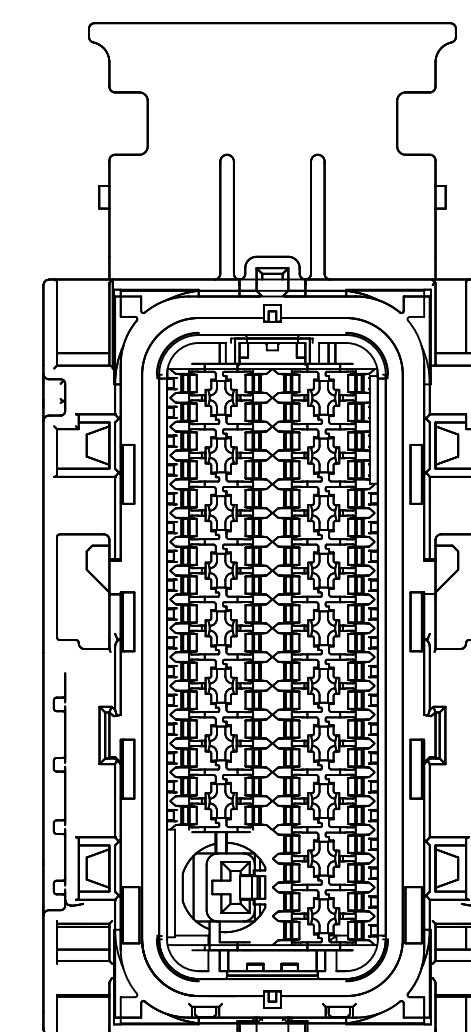
KEY B



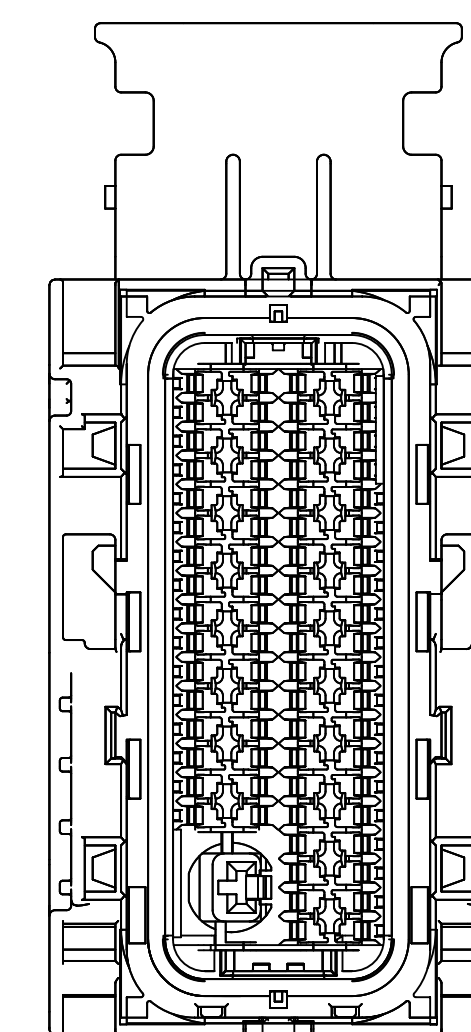
KEY C



KEY D

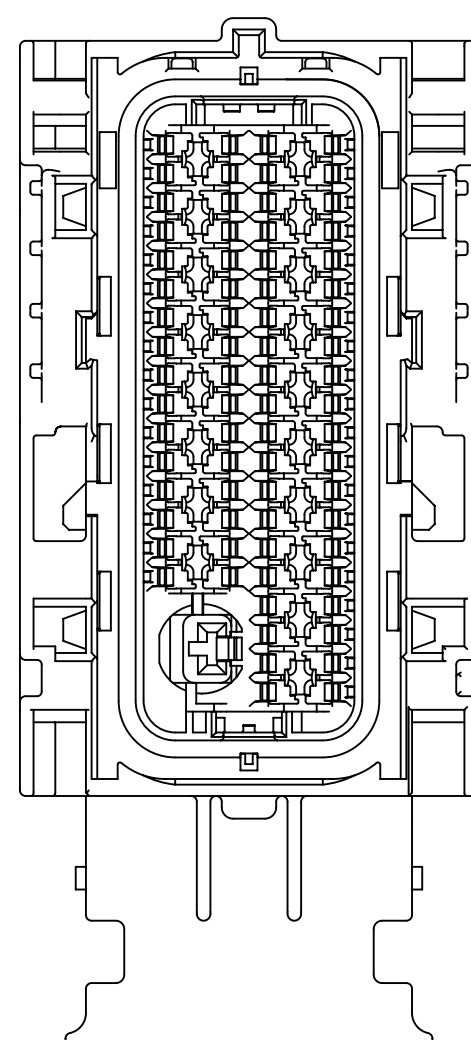
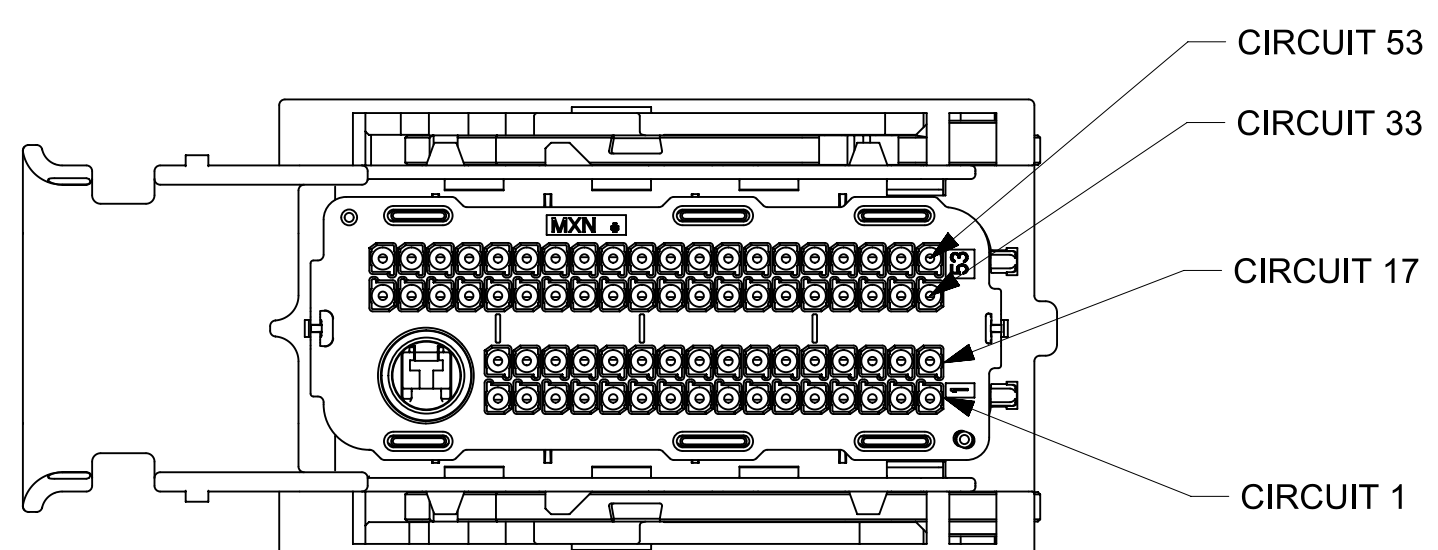


KEY E

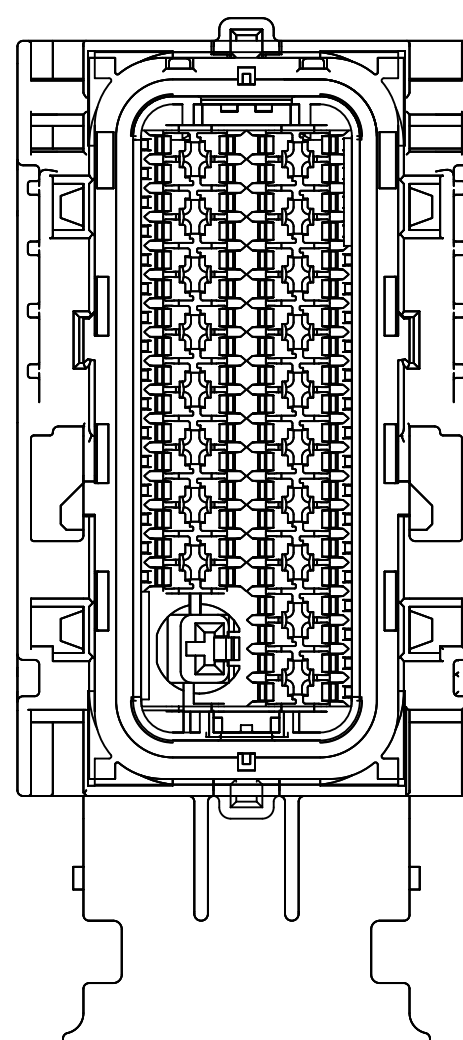


KEY F

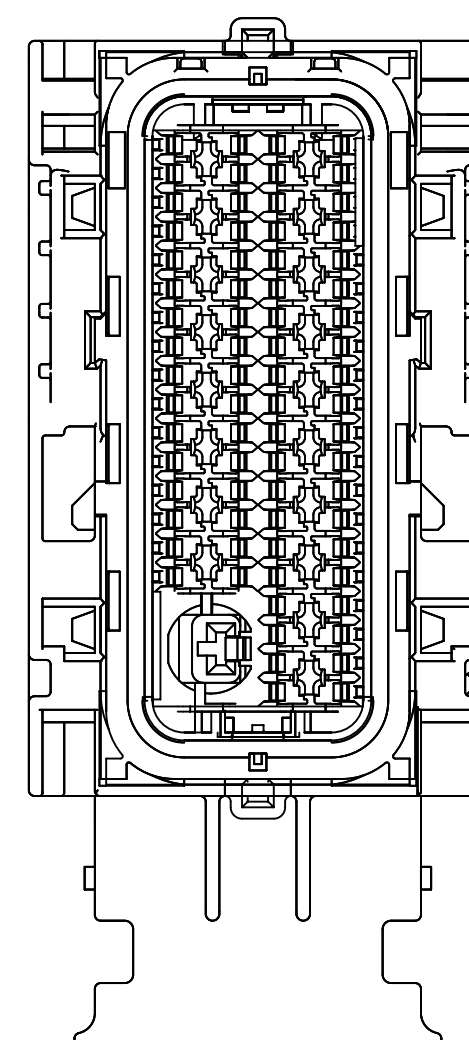
WIRE DRESS OPTION 9



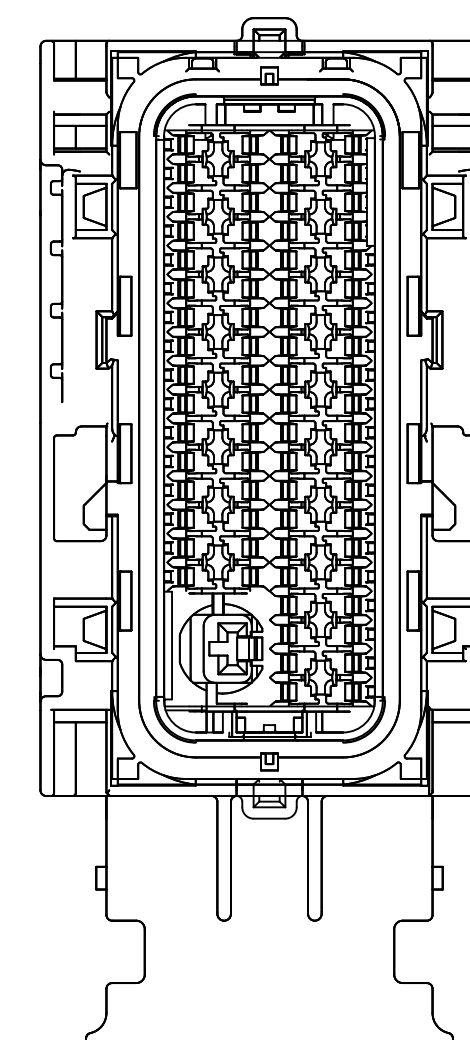
KEY A



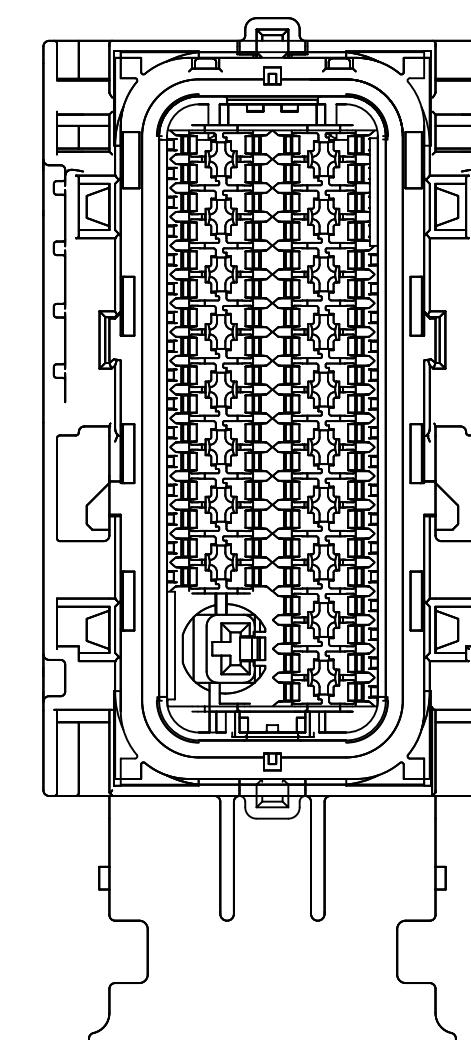
KEY B



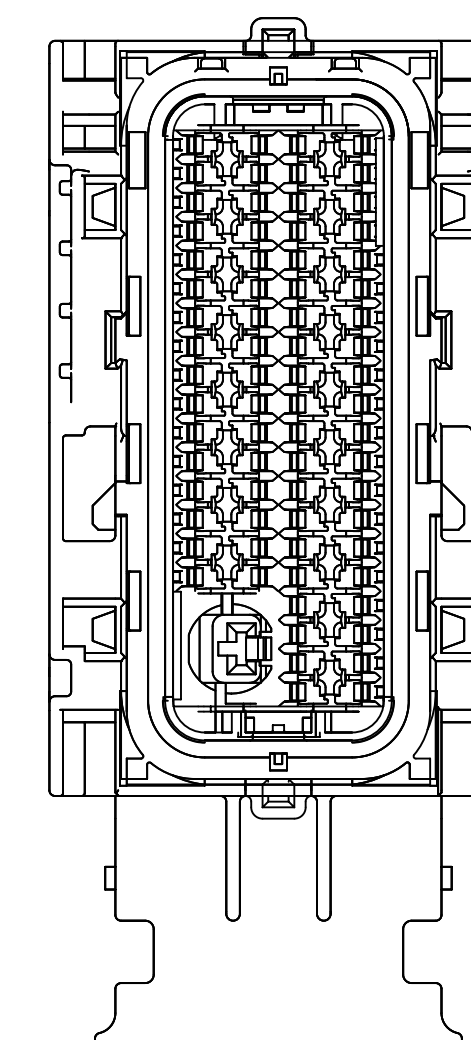
KEY C



KEY D



KEY E



KEY F

<b>FUNCTIONAL SYMBOLS</b> FA = 0 FE = 0 FP = 0 <b>DIVISIONAL SYMBOLS</b>	THIS DRAWING CONTAINS INFORMATION THAT IS PROPRIETARY TO MOLEX ELECTRONIC TECHNOLOGIES, LLC AND SHOULD NOT BE USED WITHOUT WRITTEN PERMISSION DIMENSION UNITS: <b>mm</b> SCALE: <b>3:2</b>		CURRENT REV DESC: SEE REVISION TABLE	
	GENERAL TOLERANCES (UNLESS SPECIFIED) ANGULAR TOL ± 0.5°		PHASE: Design Production CO NO: CO-00000304 DRWN: Kevin Kang 2022-04-28 CHK'D: Anil Kumar M S 2022-06-28 APPR: Brad Dick 2022-07-12	
4 PLACES ± 3 PLACES ± 2 PLACES ± 1 PLACE ± 0 PLACES ±		INITIAL REVISION: DRWN: RFC_PLMIMP APPR:		DOCUMENT NUMBER: <b>SD-34566-001</b>
DRAFT WHERE APPLICABLE MUST REMAIN WITHIN DIMENSIONS		THIRD ANGLE PROJECTION 	DRAWING: <b>D-SIZE</b>	SERIES: <b>34566</b>
MATERIAL NUMBER: <b>GENERAL MARKET</b>			DOC TYPE: <b>PSD</b>	DOC PART: <b>000</b>
SHEET NUMBER: <b>4 OF 11</b>			REVISION: <b>G65</b>	

**molex**

MX123  
66/73/80CKT HRNS CONN ASSY

PRODUCT SALES DRAWING

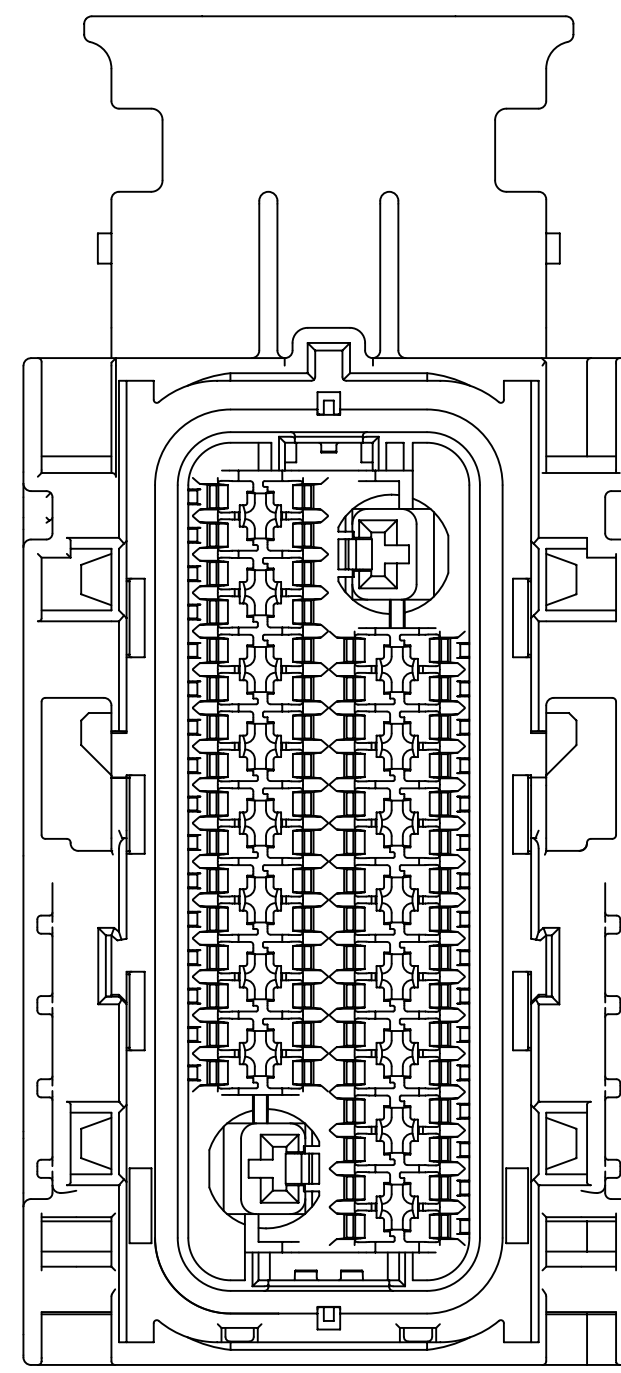
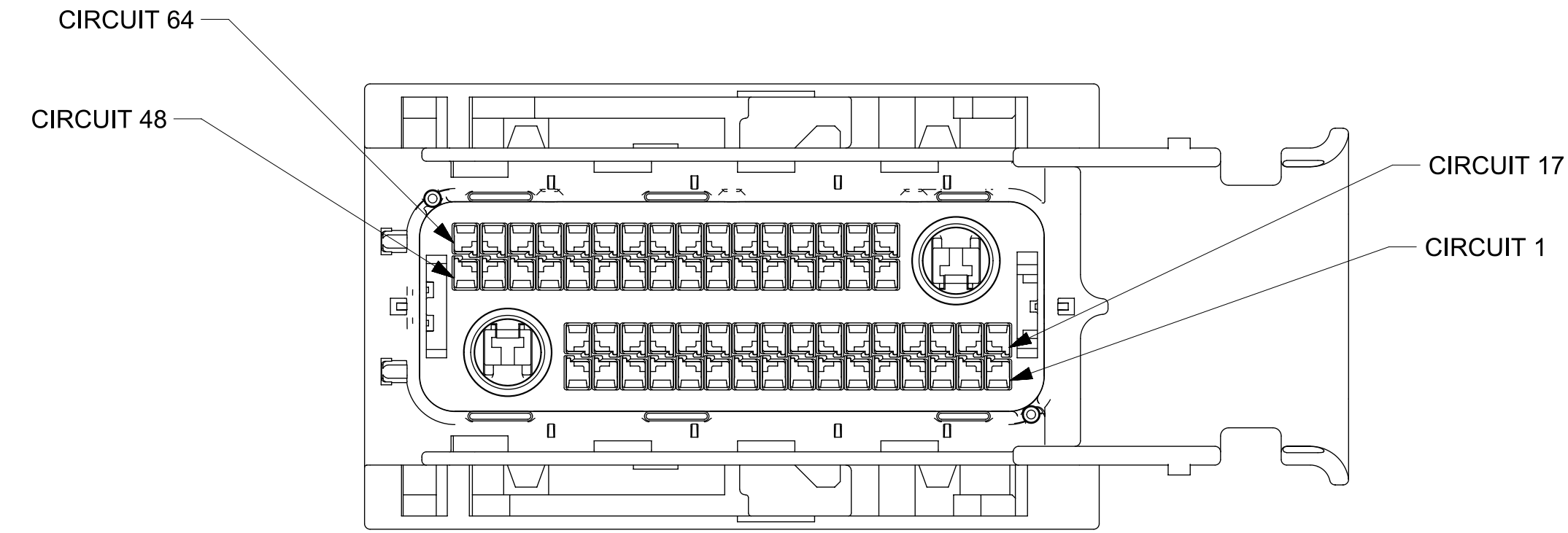
DOCUMENT NUMBER: **SD-34566-001** DOC TYPE: **PSD** DOC PART: **000** REVISION: **G65**

MATERIAL NUMBER: **GENERAL MARKET**

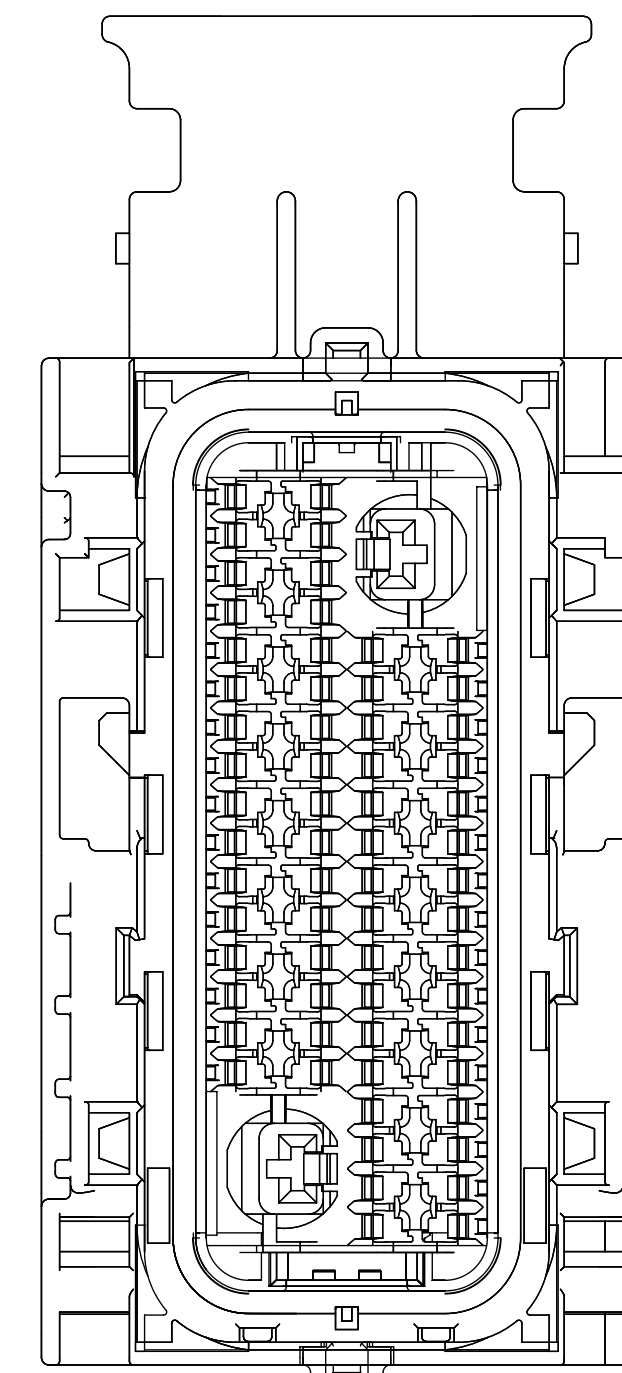
CUSTOMER: **GENERAL MARKET** SHEET NUMBER: **4 OF 11**

HOUSING ONLY, SHOWN FOR CLARITY

66 CKT  
WIRE DRESS OPTION 0

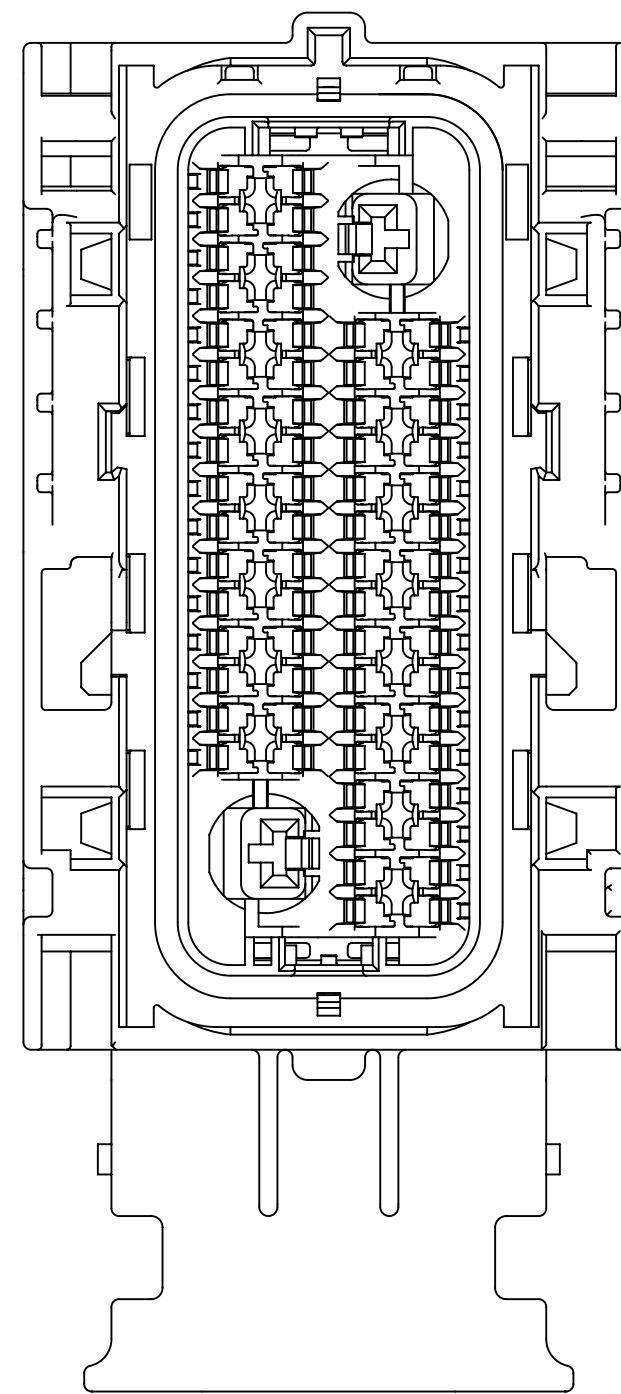
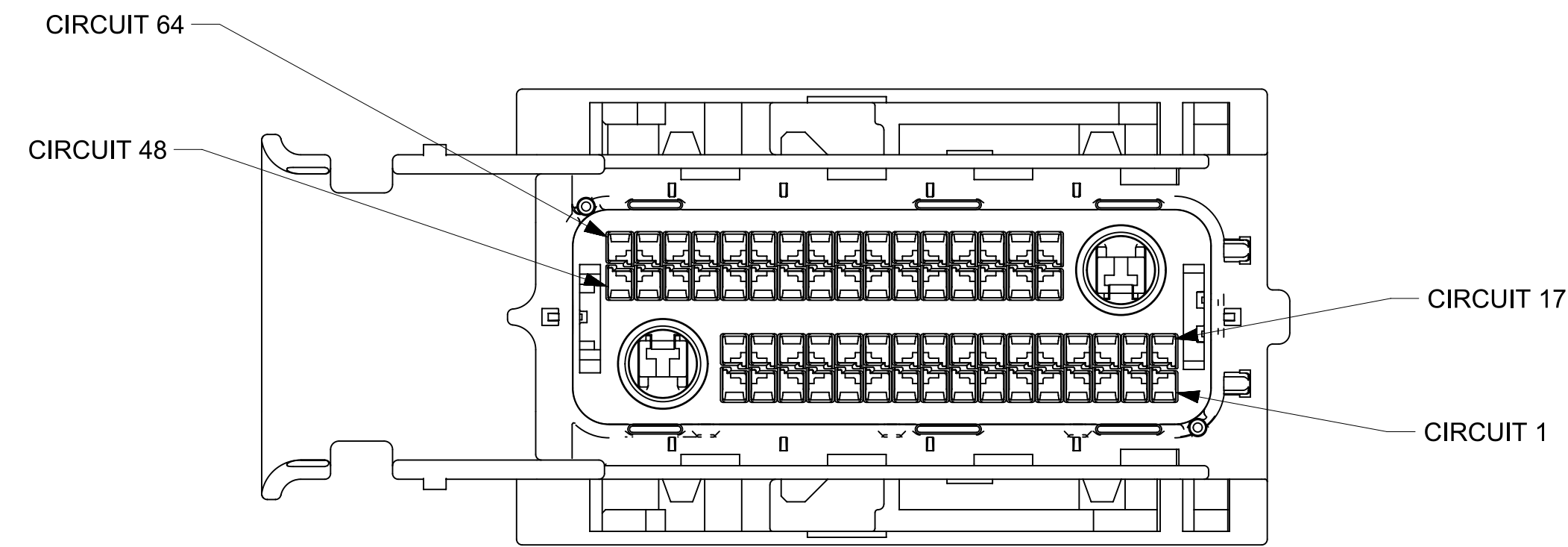


KEY A

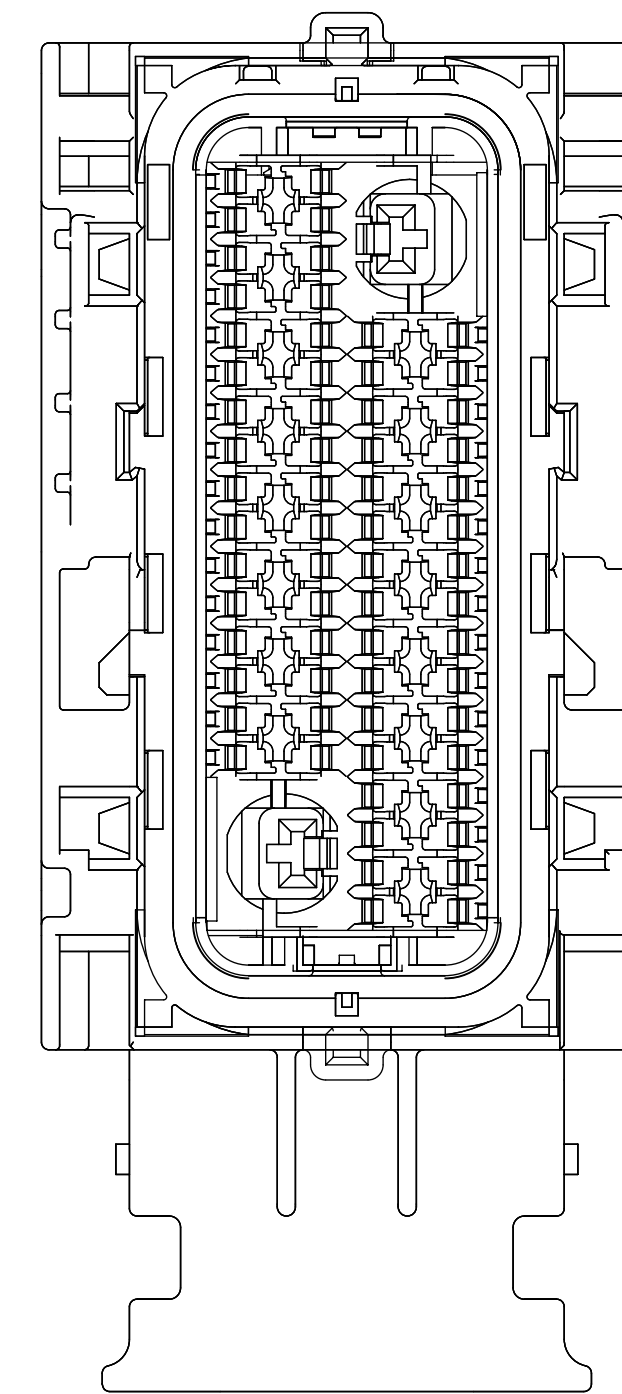


KEY C

WIRE DRESS OPTION 9



KEY A



KEY C

<b>FUNCTIONAL SYMBOLS</b> FA = 0 FC = 0 FP = 0 <b>DIVISIONAL SYMBOLS</b>	THIS DRAWING CONTAINS INFORMATION THAT IS PROPRIETARY TO MOLEX ELECTRONIC TECHNOLOGIES, LLC AND SHOULD NOT BE USED WITHOUT WRITTEN PERMISSION DIMENSION UNITS: <b>mm</b> SCALE: <b>2:1</b>		CURRENT REV DESC: SEE REVISION TABLE	
	GENERAL TOLERANCES (UNLESS SPECIFIED) ANGULAR TOL ± 0.5°		PHASE: Design Production CO NO: CO-00000304 DRWN: Kevin Kang 2022-04-28 CHK'D: Anil Kumar M S 2022-06-28 APPR: Brad Dick 2022-07-12	
4 PLACES ± 3 PLACES ± 2 PLACES ± 1 PLACE ± 0 PLACES ±		INITIAL REVISION: DRWN: RFC_PLMIMP APPR:		DOCUMENT NUMBER: <b>SD-34566-001</b>
DRAFT WHERE APPLICABLE MUST REMAIN WITHIN DIMENSIONS		THIRD ANGLE PROJECTION	DRAWING: <b>D-SIZE</b>	SERIES: <b>34566</b>
MATERIAL NUMBER: <b>SD-34566-001</b>			CUSTOMER: <b>GENERAL MARKET</b>	SHEET NUMBER: <b>5 OF 11</b>

**molex**

MX123  
66/73/80CKT HRNS CONN ASSY

PRODUCT SALES DRAWING

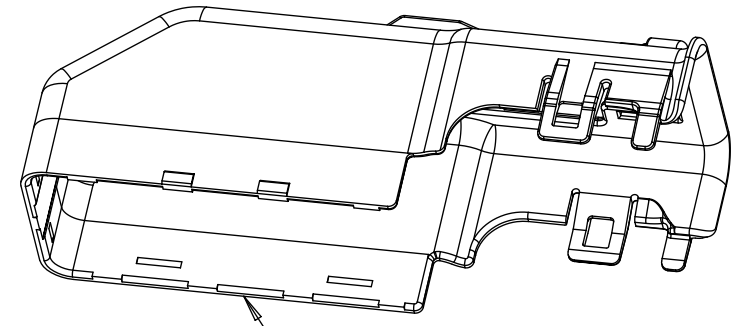
DOCUMENT NUMBER: **SD-34566-001** DOC TYPE: **PSD** DOC PART: **000** REVISION: **G65**

SHEET NUMBER: **5 OF 11**

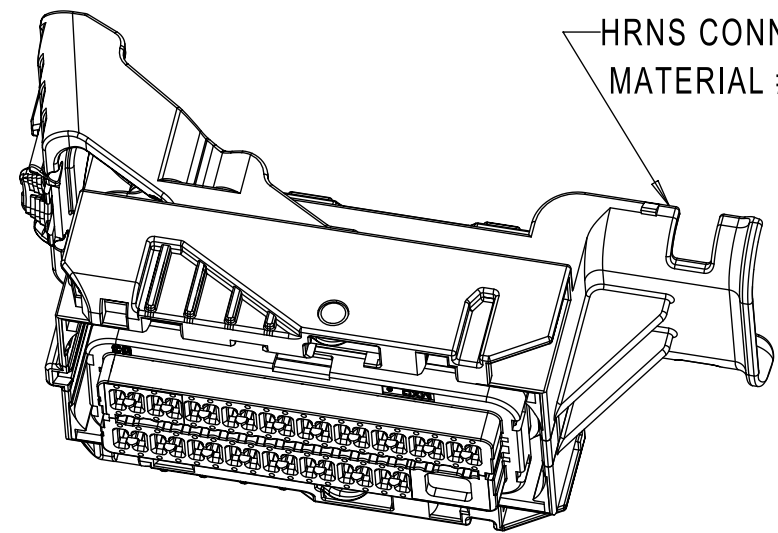


# AWG WIRE HRNS ASSY TABLE- TYPE 1

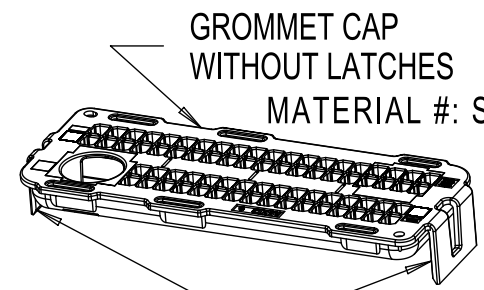
## HRNS ASSY COMPONENT LIST



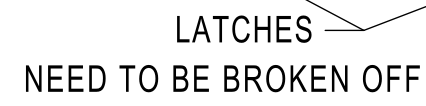
DRESS COVER  
MATERIAL #: SEE HRNS ASSY TABLE



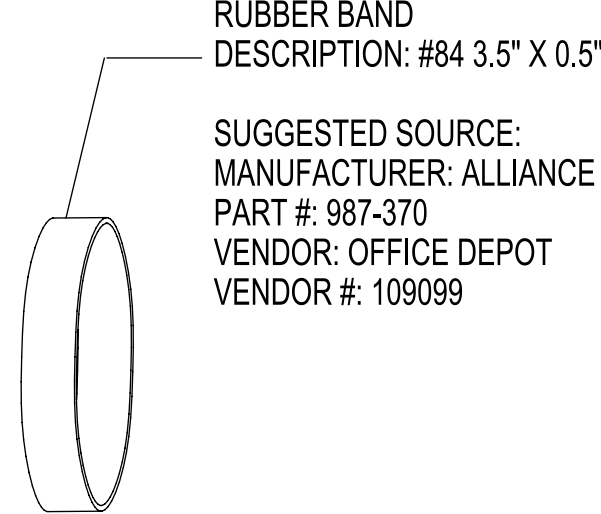
HRNS CONN. ASSY  
MATERIAL #: SEE HRNS ASSY TABLE



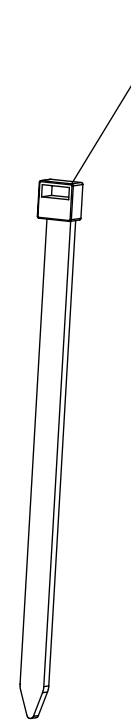
GROMMET CAP WITHOUT LATCHES  
MATERIAL #: SEE HRNS ASSY TABLE



LATCHES  
NEED TO BE BROKEN OFF

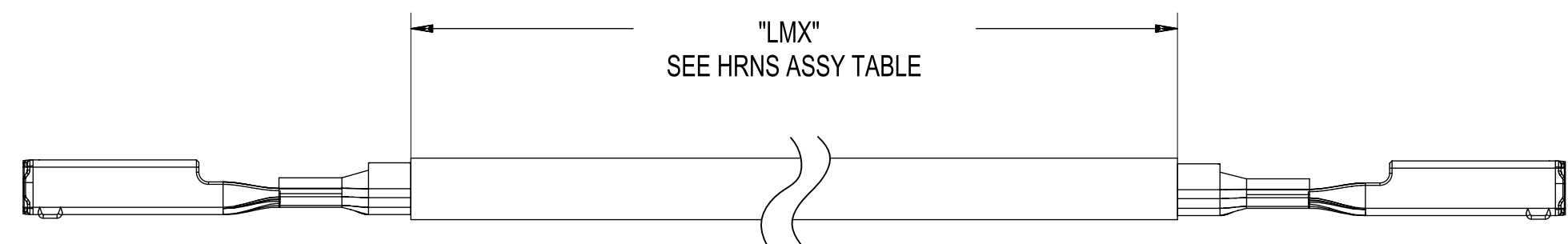


RUBBER BAND  
DESCRIPTION: #84 3.5" X 0.5"  
  
SUGGESTED SOURCE:  
MANUFACTURER: ALLIANCE  
PART #: 987-370  
VENDOR: OFFICE DEPOT  
VENDOR #: 109099

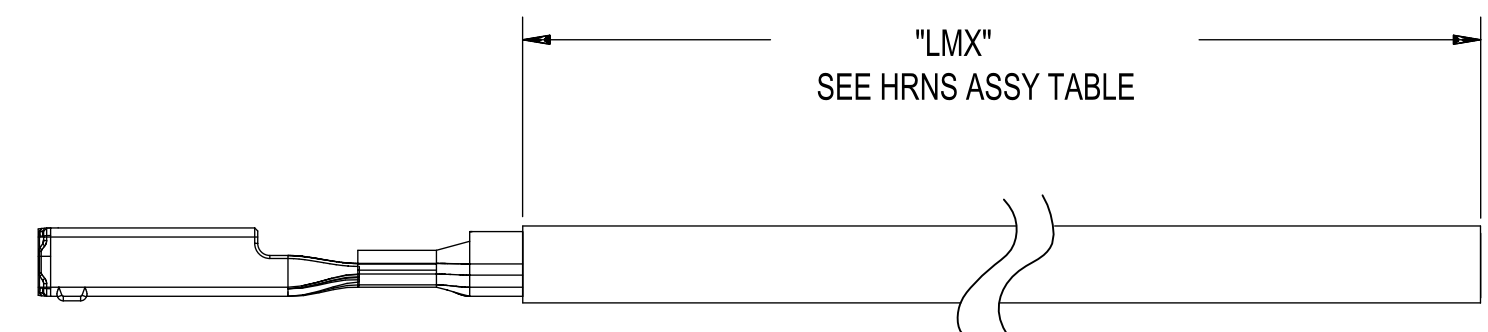


TY-RAP  
DESCRIPTION: SIZE TY25 CABLE TIE  
  
SUGGESTED SOURCE:  
MANUFACTURER: THOMAS & BETTS  
PART #: TY25M  
VENDOR: CRESENT ELEC  
VENDOR #: 104144

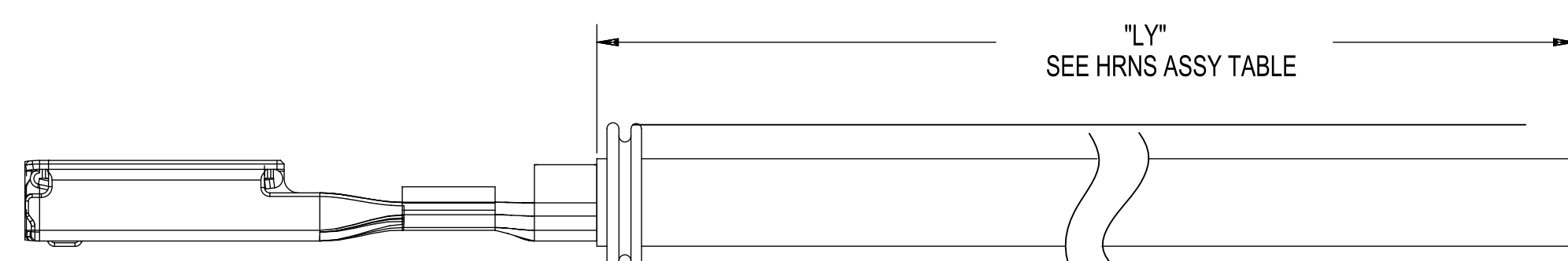
## HRNS ASSY



MX64 WIRE ASSY LOOPED  
MATERIAL #: SEE HRNS ASSY TABLE



MX64 WIRE ASSY PIGTAIL  
MATERIAL #: SEE HRNS ASSY TABLE



2.8mm YESC SEALED FEMALE PIGTAIL ASSY  
MATERIAL #: SEE HRNS ASSY TABLE

TESTED	HRNS ASSY					HRNS CONN ASSY MATERIAL #	DRESS COVER MATERIAL #	GROMMET CAP MATERIAL #	MX64 WIRE ASSY PER E-33468-001							2.8mm YESC SEALED FEMALE TERMINAL TIN					TY-RAP QTY	RUBBER BAND QTY	
	MATERIAL #	CIRCUIT ID	KEY OPTION	WIRE DRESS OPTION	STATUS				MATERIAL #	MATERIAL #	MATERIAL #	RCPT PLATING	SAE WIRE SIZE #	WIRE TYPE	PIGTAIL OR LOOPED	"LMX" IN METERS 10%	QTY	MATERIAL #	SAE WIRE SIZE #	WIRE TYPE			PIGTAIL OR LOOPED
NO	34070-9234	80	H	0	OBSOLETE	34566-0803	34565-0003	34571-0301	334670203	Ag	18	TXL	PGTL	3	80	N/A	N/A	N/A	N/A	N/A	6	0	
NO	34070-9934	73	A	0	OBSOLETE	34566-0103	34565-0003	34571-0101	334670203	Ag	18	TXL	PGTL	3	72	343670005	14	TXL	PGTL	3	1	6	0
NO	34070-9834	73	B	0	OBSOLETE	34566-0203	34565-0003	34571-0101	334670203	Ag	18	TXL	PGTL	3	72	343670005	14	TXL	PGTL	3	1	6	0
NO	34330-9214	80	H	0	OBSOLETE	34566-0803	34565-0003	N/A	334670204	Ag	18	TXL	LPD	1	40	N/A	N/A	N/A	N/A	N/A	3	1	
NO	34330-9914	73	A	0	OBSOLETE	34566-0103	34565-0003	N/A	334670204	Ag	18	TXL	LPD	1	36	343670005	14	TXL	LPD	3	1	3	1
NO	34330-9814	73	B	0	OBSOLETE	34566-0203	34565-0003	N/A	334670204	Ag	18	TXL	LPD	1	36	343670005	14	TXL	LPD	3	1	3	1
NO	34333-9214	80	H	0	OBSOLETE	34566-0803	34565-0003	34571-0301	334670205	Ag	18	PTFE	PGTL	1	40	N/A	N/A	N/A	N/A	N/A	3	0	
NO	34333-9914	73	A	0	OBSOLETE	34566-0103	34565-0003	34571-0101	334670205	Ag	18	PTFE	PGTL	1	72	N/A	14	PTFE	PGTL	1	1	3	0
NO	34333-9814	73	B	0	OBSOLETE	34566-0203	34565-0003	34571-0101	334670205	Ag	18	PTFE	PGTL	1	72	N/A	14	PTFE	PGTL	1	1	3	0
NO	34333-9234	80	H	0	OBSOLETE	34566-0803	34565-0003	34570-0301	334670206	Ag	18	PTFE	PGTL	3	80	N/A	N/A	N/A	N/A	N/A	6	0	
NO	34333-9934	73	A	0	OBSOLETE	34566-0103	34565-0003	34571-0101	334670206	Ag	18	PTFE	PGTL	3	72	343670006	14	PTFE	PGTL	3	1	6	0
NO	34333-9834	73	B	0	OBSOLETE	34566-0203	34565-0003	34571-0101	334670206	Ag	18	PTFE	PGTL	3	72	343670006	14	PTFE	PGTL	3	1	6	0
NO	34070-8734	66	A	0	OBSOLETE	34822-0013	34565-0003	34822-5011	334670203	Ag	18	TXL	PGTL	3	64	343670005	14	TXL	PGTL	3	2	3	0
NO	34070-8754	66	A	0	OBSOLETE	34822-0013	34565-0003	34822-5011	334670203	Ag	18	TXL	PGTL	5	64	343670007	14	TXL	PGTL	5	2	10	0
NO	34070-9434	73	F	0	OBSOLETE	34070-0603	34565-0003	34571-0101	334670203	Ag	18	TXL	PGTL	3	72	343670005	14	TXL	PGTL	3	1	6	0
NO	34070-9434	73	F	9	OBSOLETE	34070-1803	34565-0003	34571-0501	334670203	Ag	18	TXL	PGTL	3	72	343670005	14	TXL	PGTL	3	1	6	0
NO	34070-8534	66	C	0	OBSOLETE	34822-0033	34565-0003	34571-5011	334670203	Ag	18	TXL	PGTL	3	64	343670005	14	TXL	PGTL	3	2	3	0
NO	34070-8704	66	A	0	OBSOLETE	34822-0013	34822-0033	34822-5031	N/A	N/A	N/A	N/A	N/A	N/A	N/A	343670005	14	TXL	PGTL	3	2	N/A	N/A
NO	34070-8504	66	C	0	OBSOLETE	34822-0033	34822-0033	34822-5031	N/A	N/A	N/A	N/A	N/A	N/A	N/A	343670005	14	TXL	PGTL	3	2	N/A	N/A
NO	34330-8734	66	A	0	OBSOLETE	34822-0013 (QTY2)	34565-0003	N/A	334670208	Ag	18	TXL	LPD	3	64	343670008	14	TXL	LPD	3	2	3	N/A

### PRODUCTION PART # FOR HARNESS ASSEMBLY (WITH WIRES) : XXXXX-KKWP

XXXXX- SERIES NUMBER			
SERIES #	CKT SIZE	WIRE TYPE	WIRE DRESS
34070	73/80/66	TXL	PGTL
34330	73/80/66	TXL	LPD
34333	73/80/66	PTFE	PGTL

KK- HARNESS CONNECTOR KEY	
#	73/80 KEY
99	A
98	B
97	C
96	D
95	E
94	F
93	G
92	H
91	J
90	K
89	L
88	M
#	66 KEY
87	A
86	B
85	C

W- MX64 CRIMPED LEAD WIRE LENGTH (m)  
  
P- MX64 RECPT. TERMINAL PLATING  
3 - Au  
4 - Ag

NOTES: UNLESS OTHERWISE SPECIFIED APPLIES TO "HRNS ASSY" ONLY  
1. REFER TO: PACKAGING DRAWING # PK-31300-078  
2. FOR HRNS ASSY WITH WIRE ASSY SEE NEXT PAGE

FUNCTIONAL SYMBOLS	THIS DRAWING CONTAINS INFORMATION THAT IS PROPRIETARY TO MOLEX ELECTRONIC TECHNOLOGIES, LLC AND SHOULD NOT BE USED WITHOUT WRITTEN PERMISSION		CURRENT REV DESC: SEE REVISION TABLE	
FA = 0	DIMENSION UNITS: mm	SCALE: 1:5		
FC = 0	GENERAL TOLERANCES (UNLESS SPECIFIED)		PHASE: Design Production	
FD = 0	ANGULAR TOL ± 0.5°		CO NO: CO-00000304	2022-04-28
DIVISIONAL SYMBOLS	4 PLACES ±	DRAFT WHERE APPLICABLE MUST REMAIN WITHIN DIMENSIONS	DRWN: Kevin Kang	2022-06-28
	3 PLACES ±		CHK'D: Anil Kumar M S	2022-07-12
	2 PLACES ±		APPR: Brad Dick	
	1 PLACE ±		INITIAL REVISION: DRWN: RFC_PLMIMP	
0 PLACES ±			APPR:	
DRAWING: D-SIZE		SERIES: 34566	MATERIAL NUMBER: SD-34566-001	
THIRD ANGLE PROJECTION		CUSTOMER: GENERAL MARKET		SHEET NUMBER: 6 OF 11



MX123  
66/73/80CKT HRNS CONN ASSY

PRODUCT SALES DRAWING

DOCUMENT NUMBER: SD-34566-001    DOC TYPE: PSD    DOC PART: 000    REVISION: G65

GENERAL MARKET    SHEET NUMBER: 6 OF 11

# AWG WIRE HRNS ASSY TABLE- TYPE 1

TESTED	HRNS ASSY					HRNS CONN ASSY MATERIAL #	DRESS COVER MATERIAL #	GROMMET CAP MATERIAL #	MX64 WIRE ASSY PER E-33468-001							2.8mm YESC SEALED FEMALE TERMINAL TIN						TY-RAP QTY	RUBBER BAND QTY
	MATERIAL #	CIRCUIT ID	KEY OPTION	WIRE DRESS OPTION	STATUS				MATERIAL #	MATERIAL #	MATERIAL #	RCPT PLATING	SAE WIRE SIZE #	WIRE TYPE	PIGTAIL OR LOOPED	"LMX" IN METERS 10%	QTY	MATERIAL #	SAE WIRE SIZE #	WIRE TYPE	PIGTAIL OR LOOPED		
NO	34070-9933	73	A	0	OBSOLETE	34566-0103	34565-0003	34571-0101	334670103	Au	18	TXL	PGTL	3	72	343670005	14	TXL	PGTL	3	1	6	0
NO	34070-9833	73	B	0	OBSOLETE	34566-0203	34565-0003	34571-0101	334670103	Au	18	TXL	PGTL	3	72	343670005	14	TXL	PGTL	3	1	6	0
NO	34070-9913	73	A	0	OBSOLETE	34566-0103	34565-0003	34571-0101	334670102	Au	18	TXL	PGTL	1	72	343670005	14	TXL	PGTL	3	1	3	0
NO	34070-9813	73	B	0	OBSOLETE	34566-0203	34565-0003	34571-0101	334670102	Au	18	TXL	PGTL	1	72	343670005	14	TXL	PGTL	3	1	3	0
NO	34333-9913	73	A	0	OBSOLETE	34566-0103	34565-0003	34571-0101	334670105	Au	18	PTFE	PGTL	1	72	N/A	14	PTFE	PGTL	1	1	3	0
NO	34333-9813	73	B	0	OBSOLETE	34566-0203	34565-0003	34571-0101	334670105	Au	18	PTFE	PGTL	1	72	N/A	14	PTFE	PGTL	1	1	3	0
NO	34333-9933	73	A	0	OBSOLETE	34566-0103	34565-0003	34571-0101	334670106	Au	18	PTFE	PGTL	3	72	343670006	14	PTFE	PGTL	3	1	6	0
NO	34333-9833	73	B	0	OBSOLETE	34566-0203	34565-0003	34571-0101	334670106	Au	18	PTFE	PGTL	3	72	343670006	14	PTFE	PGTL	3	1	6	0
NO	34070-9233	80	H	0	OBSOLETE	34566-0803	34565-0003	34571-0301	334670103	Au	18	TXL	PGTL	3	80	N/A	N/A	N/A	N/A	N/A	N/A	6	0
NO	34070-9213	80	H	0	OBSOLETE	34566-0803	34565-0003	34571-0301	334670102	Au	18	TXL	PGTL	1	80	N/A	N/A	N/A	N/A	N/A	N/A	3	0
NO	34333-9213	80	H	0	OBSOLETE	34566-0803	34565-0003	34571-0301	334670105	Au	18	PTFE	PGTL	1	80	N/A	N/A	N/A	N/A	N/A	N/A	3	0
NO	34333-9233	80	H	0	OBSOLETE	34566-0803	34565-0003	34571-0301	334670106	Au	18	PTFE	PGTL	3	80	N/A	N/A	N/A	N/A	N/A	N/A	6	0
YES	34330-9913	73	A	0	OBSOLETE	34566-0103	34565-0003	N/A	334670104	Au	18	TXL	LPD	1	36	343670005	14	TXL	LPD	3	1	3	1
YES	34330-9813	73	B	0	OBSOLETE	34566-0203	34565-0003	N/A	334670104	Au	18	TXL	LPD	1	36	343670005	14	TXL	LPD	3	1	3	1
YES	34330-9213	80	H	0	OBSOLETE	34566-0803	34565-0003	34571-0301	334670104	Au	18	TXL	LPD	1	40	N/A	N/A	N/A	N/A	N/A	N/A	3	1
NO	34070-9733	73	C	0	OBSOLETE	34566-0303	34565-0003	34571-0101	334670103	Au	18	TXL	PGTL	3	72	343670005	14	TXL	PGTL	3	1	6	0
NO	34070-9713	73	C	0	OBSOLETE	34566-0303	34565-0003	34571-0101	334670102	Au	18	TXL	PGTL	1	72	343670005	14	TXL	PGTL	3	1	3	0
NO	34330-9713	73	C	0	OBSOLETE	34566-0303	34565-0003	34571-0101	334670104	Au	18	TXL	LPD	1	36	343670005	14	TXL	LPD	3	1	3	1
NO	34333-9713	73	C	0	OBSOLETE	34566-0303	34565-0003	34571-0101	334670105	Au	18	PTFE	PGTL	1	72	N/A	14	PTFE	PGTL	1	1	3	0
NO	34333-9733	73	C	0	OBSOLETE	34566-0303	34565-0003	34571-0101	334670106	Au	18	PTFE	PGTL	3	72	343670006	14	PTFE	PGTL	3	1	6	0
NO	34070-9333	80	G	0	OBSOLETE	34566-0703	34565-0003	34571-0301	334670103	Au	18	TXL	PGTL	3	80	N/A	N/A	N/A	N/A	N/A	N/A	6	0
NO	34070-9313	80	G	0	OBSOLETE	34566-0703	34565-0003	34571-0301	334670102	Au	18	TXL	PGTL	1	80	N/A	N/A	N/A	N/A	N/A	N/A	3	0
NO	34330-9313	80	G	0	OBSOLETE	34566-0703	34565-0003	34571-0301	334670104	Au	18	TXL	LPD	1	40	N/A	N/A	N/A	N/A	N/A	N/A	3	1
NO	34333-9313	80	G	0	OBSOLETE	34566-0703	34565-0003	34571-0301	334670105	Au	18	PTFE	PGTL	1	80	N/A	N/A	N/A	N/A	N/A	N/A	3	0
NO	34333-9333	80	G	0	OBSOLETE	34566-0703	34565-0003	34571-0301	334670106	Au	18	PTFE	PGTL	3	80	N/A	N/A	N/A	N/A	N/A	N/A	6	0
NO	34070-9934	73	A	0	OBSOLETE	34566-0103	34565-0003	34571-0101	334670203	Ag	18	TXL	PGTL	3	72	343670005	14	TXL	PGTL	3	1	6	0
NO	34070-9834	73	B	0	OBSOLETE	34566-0203	34565-0003	34571-0101	334670203	Ag	18	TXL	PGTL	3	72	343670005	14	TXL	PGTL	3	1	6	0
NO	34070-9914	73	A	0	OBSOLETE	34566-0103	34565-0003	34571-0101	334670202	Ag	18	TXL	PGTL	1	72	343670005	14	TXL	PGTL	3	1	3	0
NO	34070-9814	73	B	0	OBSOLETE	34566-0203	34565-0003	34571-0101	334670202	Ag	18	TXL	PGTL	1	72	343670005	14	TXL	PGTL	3	1	3	0
NO	34070-9234	80	H	0	OBSOLETE	34566-0803	34565-0003	34571-0301	334670203	Ag	18	TXL	PGTL	3	80	N/A	N/A	N/A	N/A	N/A	N/A	6	0
NO	34070-9214	80	H	0	OBSOLETE	34566-0803	34565-0003	34571-0301	334670202	Ag	18	TXL	PGTL	1	80	N/A	N/A	N/A	N/A	N/A	N/A	3	0
YES	34330-9914	73	A	0	OBSOLETE	34566-0103	34565-0003	N/A	334670204	Ag	18	TXL	LPD	1	36	343670005	14	TXL	LPD	3	1	3	1
YES	34330-9814	73	B	0	OBSOLETE	34566-0203	34565-0003	N/A	334670204	Ag	18	TXL	LPD	1	36	343670005	14	TXL	LPD	3	1	3	1
YES	34330-9214	80	H	0	OBSOLETE	34566-0803	34565-0003	34571-0301	334670204	Ag	18	TXL	LPD	1	40	N/A	N/A	N/A	N/A	N/A	N/A	3	1
NO	34070-9734	73	C	0	OBSOLETE	34566-0303	34565-0003	34571-0101	334670203	Ag	18	TXL	PGTL	3	72	343670005	14	TXL	PGTL	3	1	6	0
NO	34070-9714	73	C	0	OBSOLETE	34566-0303	34565-0003	34571-0101	334670202	Ag	18	TXL	PGTL	1	72	343670005	14	TXL	PGTL	3	1	3	0
NO	34330-9714	73	C	0	OBSOLETE	34566-0303	34565-0003	N/A	334670204	Ag	18	TXL	LPD	1	36	343670005	14	TXL	LPD	3	1	3	1
NO	34070-9334	80	G	0	OBSOLETE	34566-0703	34565-0003	34571-0301	334670203	Ag	18	TXL	PGTL	3	80	N/A	N/A	N/A	N/A	N/A	N/A	6	0
NO	34070-9314	80	G	0	OBSOLETE	34566-0703	34565-0003	34571-0301	334670202	Ag	18	TXL	PGTL	1	80	N/A	N/A	N/A	N/A	N/A	N/A	3	0
NO	34330-9314	80	G	0	OBSOLETE	34566-0703	34565-0003	N/A	334670204	Ag	18	TXL	LPD	1	40	N/A	N/A	N/A	N/A	N/A	N/A	3	1
NO	34070-9414	73	F	0	OBSOLETE	34566-0603	34565-0003	34571-0101	334670204	Ag	18	TXL	PGTL	1	72	343670001	14	TXL	PGTL	1	1	3	0
NO	34070-9434	73	F	0	OBSOLETE	34566-0603	34565-0003	34571-0101	334670204	Ag	18	TXL	PGTL	3	72	343670005	14	TXL	PGTL	3	1	6	0
NO	34333-9734	73	C	0	OBSOLETE	34566-0303	34565-0003	34571-0101	334670206	Ag	18	PTFE	PGTL	3	72	343670006	14	PTFE	PGTL	3	1	6	0

H30

H30

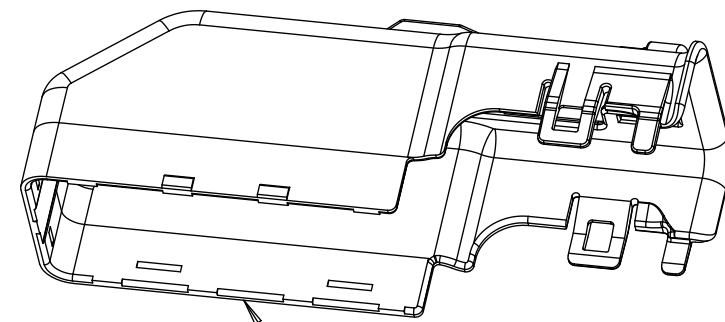
H30

H30

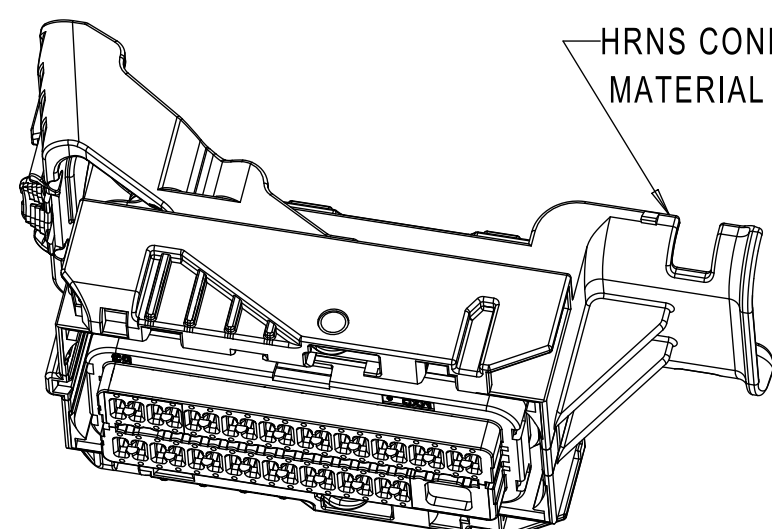
<b>FUNCTIONAL SYMBOLS</b>	THIS DRAWING CONTAINS INFORMATION THAT IS PROPRIETARY TO MOLEX ELECTRONIC TECHNOLOGIES, LLC AND SHOULD NOT BE USED WITHOUT WRITTEN PERMISSION DIMENSION UNITS: <b>mm</b> SCALE: <b>1:1</b> CURRENT REV DESC: SEE REVISION TABLE	
	GENERAL TOLERANCES (UNLESS SPECIFIED) ANGULAR TOL ± 0.5° 4 PLACES ± 3 PLACES ± 2 PLACES ± 1 PLACE ± 0 PLACES ±	MX123 66/73/80CKT HRNS CONN ASSY  PRODUCT SALES DRAWING
<b>DIVISIONAL SYMBOLS</b>	PHASE: Design Production CO NO: CO-00000304 DRWN: Kevin Kang    2022-04-28 CHK'D: Anil Kumar M S    2022-06-28 APPR: Brad Dick    2022-07-12 INITIAL REVISION: DRWN: RFC_PLMIMP APPR:	DOCUMENT NUMBER: <b>SD-34566-001</b> DOC TYPE: PSD    DOC PART: 000    REVISION: G65
	DRAFT WHERE APPLICABLE MUST REMAIN WITHIN DIMENSIONS THIRD ANGLE PROJECTION 	DRAWING: <b>D-SIZE</b> SERIES: <b>34566</b> MATERIAL NUMBER:    CUSTOMER: GENERAL MARKET    SHEET NUMBER: 7 OF 11

# ISO WIRE HRNS ASSY TABLE- TYPE 1

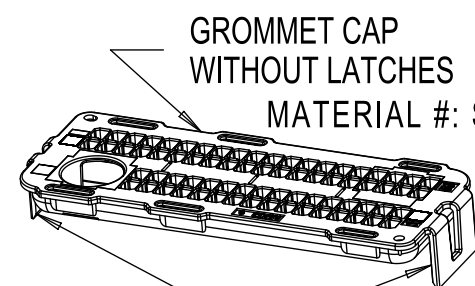
## HRNS ASSY COMPONENT LIST



DRESS COVER  
MATERIAL #: SEE HRNS ASSY TABLE



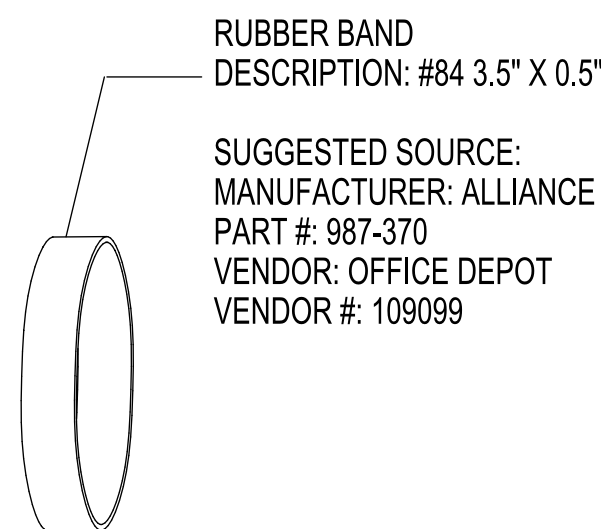
HRNS CONN. ASSY  
MATERIAL #: SEE HRNS ASSY TABLE



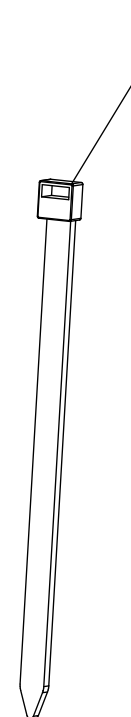
GROMMET CAP WITHOUT LATCHES  
MATERIAL #: SEE HRNS ASSY TABLE



LATCHES  
NEED TO BE BROKEN OFF



RUBBER BAND  
DESCRIPTION: #84 3.5" X 0.5"  
  
SUGGESTED SOURCE:  
MANUFACTURER: ALLIANCE  
PART #: 987-370  
VENDOR: OFFICE DEPOT  
VENDOR #: 109099



TY-RAP  
DESCRIPTION: SIZE TY25 CABLE TIE  
  
SUGGESTED SOURCE:  
MANUFACTURER: THOMAS & BETTS  
PART #: TY25M  
VENDOR: CRESENT ELEC  
VENDOR #: 104144

### PRODUCTION PART # FOR HARNESS ASSEMBLY (WITH WIRES) : XXXXX-KKLW

XXXXXX- SERIES NUMBER			
SERIES #	CKT SIZE	WIRE TYPE	WIRE DRESS
204778	80/73/66	ISO*	PGTL
204779	80/73/66	ISO*	LPD

KK- HARNESS CONNECTOR KEY	
#	73/80 KEY
99	A
98	B
97	C
96	D
95	E
94	F
93	G
92	H
91	J
90	K
89	L
88	M
#	66 KEY
87	A
86	B
85	C

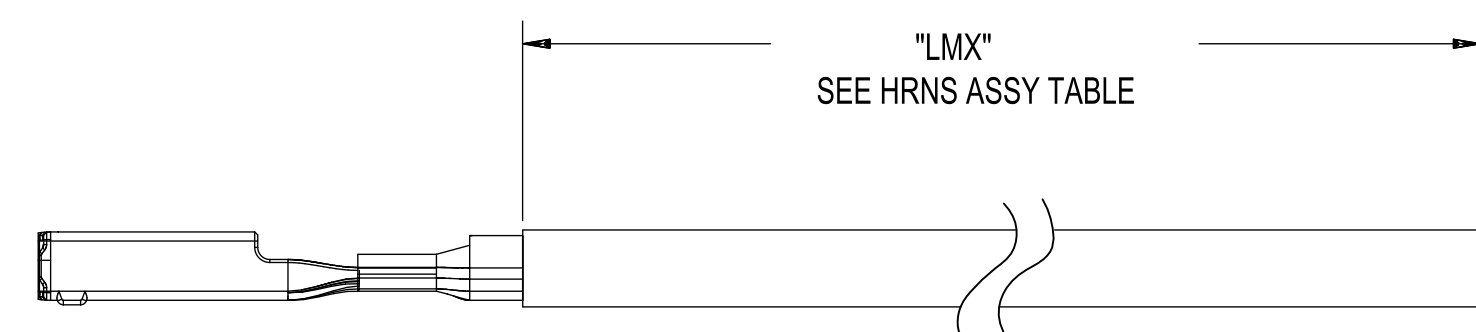
L - MX64 CRIMPED LEAD WIRE LENGTH (m)  
W - MX64 CRIMPED LEAD WIRE WIDTH (mm<sup>2</sup>)  
1 - 0.35  
2 - 0.50  
3 - 0.75

TESTED	HRNS ASSY					HRNS CONN ASSY MATERIAL #	DRESS COVER MATERIAL #	GROMMET CAP MATERIAL #	MX64 WIRE ASSY PER E-33468-001						2.8mm YESC SEALED FEMALE TERMINAL TIN					TY-RAP QTY	RUBBER BAND QTY		
	MATERIAL #	CIRCUIT ID	KEY OPTION	WIRE DRESS OPTION	STATUS				MATERIAL #	MATERIAL #	MATERIAL #	RCPT PLATING	WIRE SIZE mm <sup>2</sup>	WIRE TYPE	PIGTAIL OR LOOPED	"LMX" IN METERS 10%	QTY	MATERIAL #	WIRE SIZE # mm <sup>2</sup>			WIRE TYPE	PIGTAIL OR LOOPED
NO	2047789931	73	A	0	OBSOLETE	34566-0103	34565-0003	34571-0101	2047801003	Ag	0.35	ISO	PGTL	3	72	2047811003	2	ISO	PGTL	3	1	6	0
NO	2047789831	73	B	0	OBSOLETE	34566-0203	34565-0003	34571-0101	2047801003	Ag	0.35	ISO	PGTL	3	72	2047811003	2	ISO	PGTL	3	1	6	0
NO	2047789731	73	C	0	OBSOLETE	34566-0303	34565-0003	34571-0101	2047801003	Ag	0.35	ISO	PGTL	3	72	2047811003	2	ISO	PGTL	3	1	6	0
NO	2047789431	73	F	0	OBSOLETE	34566-0603	34565-0003	34571-0101	2047801003	Ag	0.35	ISO	PGTL	3	72	2047811003	2	ISO	PGTL	3	1	6	0
NO	2047789932	73	A	0	OBSOLETE	34566-0103	34565-0003	34571-0101	2047802003	Ag	0.50	ISO	PGTL	3	72	2047811003	2	ISO	PGTL	3	1	6	0
NO	2047789832	73	B	0	OBSOLETE	34566-0203	34565-0003	34571-0101	2047802003	Ag	0.50	ISO	PGTL	3	72	2047811003	2	ISO	PGTL	3	1	6	0
NO	2047789732	73	C	0	OBSOLETE	34566-0303	34565-0003	34571-0101	2047802003	Ag	0.50	ISO	PGTL	3	72	2047811003	2	ISO	PGTL	3	1	6	0
NO	2047789432	73	F	0	OBSOLETE	34566-0603	34565-0003	34571-0101	2047802003	Ag	0.50	ISO	PGTL	3	72	2047811003	2	ISO	PGTL	3	1	6	0
NO	2047789933	73	A	0	OBSOLETE	34566-0103	34565-0003	34571-0101	2047803003	Ag	0.75	ISO	PGTL	3	72	2047811003	2	ISO	PGTL	3	1	6	0
NO	2047789833	73	B	0	OBSOLETE	34566-0203	34565-0003	34571-0101	2047803003	Ag	0.75	ISO	PGTL	3	72	2047811003	2	ISO	PGTL	3	1	6	0
NO	2047789733	73	C	0	OBSOLETE	34566-0303	34565-0003	34571-0101	2047803003	Ag	0.75	ISO	PGTL	3	72	2047811003	2	ISO	PGTL	3	1	6	0
NO	2047789433	73	F	0	OBSOLETE	34566-0603	34565-0003	34571-0101	2047803003	Ag	0.75	ISO	PGTL	3	72	2047811003	2	ISO	PGTL	3	1	6	0
NO	2047799911	73	A	0	OBSOLETE	34566-0103	34565-0003	34571-0101	2047801101	Ag	0.35	ISO	LPD	1	72	2047811101	2	ISO	LPD	1	1	3	0
NO	2047799811	73	B	0	OBSOLETE	34566-0203	34565-0003	34571-0101	2047801101	Ag	0.35	ISO	LPD	1	72	2047811101	2	ISO	LPD	1	1	3	0
NO	2047799711	73	C	0	OBSOLETE	34566-0303	34565-0003	34571-0101	2047801101	Ag	0.35	ISO	LPD	1	72	2047811101	2	ISO	LPD	1	1	3	0
NO	2047799411	73	F	0	OBSOLETE	34566-0603	34565-0003	34571-0101	2047801101	Ag	0.35	ISO	LPD	1	72	2047811101	2	ISO	LPD	1	1	3	0
NO	2047799912	73	A	0	OBSOLETE	34566-0103	34565-0003	34571-0101	2047802101	Ag	0.50	ISO	LPD	1	72	2047811101	2	ISO	LPD	1	1	3	0
NO	2047799812	73	B	0	OBSOLETE	34566-0203	34565-0033	34571-0101	2047802101	Ag	0.50	ISO	LPD	1	72	2047811101	2	ISO	LPD	1	1	3	0
NO	2047799712	73	C	0	OBSOLETE	34566-0303	34565-0033	34571-0101	2047802101	Ag	0.50	ISO	LPD	1	72	2047811101	2	ISO	LPD	1	1	3	0
NO	2047799412	73	F	0	OBSOLETE	34566-0603	34565-0003	34571-0101	2047802101	Ag	0.50	ISO	LPD	1	72	2047811101	2	ISO	LPD	1	1	3	0
NO	2047799913	73	A	0	OBSOLETE	34566-0103	34565-0003	34571-0101	2047803101	Ag	0.75	ISO	LPD	1	72	2047811101	2	ISO	LPD	1	1	3	0
NO	2047799813	73	B	0	OBSOLETE	34566-0203	34565-0003	34571-0101	2047803101	Ag	0.75	ISO	LPD	1	72	2047811101	2	ISO	LPD	1	1	3	0
NO	2047799713	73	C	0	OBSOLETE	34566-0303	34565-0003	34571-0101	2047803101	Ag	0.75	ISO	LPD	1	72	2047811101	2	ISO	LPD	1	1	3	0
NO	2047799413	73	F	0	OBSOLETE	34566-0603	34565-0003	34571-0101	2047803101	Ag	0.75	ISO	LPD	1	72	2047811101	2	ISO	LPD	1	1	3	0
NO	2047789333	80	G	0	OBSOLETE	34566-0703	34565-0003	34571-0301	2047803003	Ag	0.75	ISO	PGTL	3	80	N/A	N/A	N/A	N/A	N/A	N/A	6	0
NO	2047789233	80	H	0	OBSOLETE	34566-0803	34565-0003	34571-0301	2047803003	Ag	0.75	ISO	PGTL	3	80	N/A	N/A	N/A	N/A	N/A	N/A	6	0

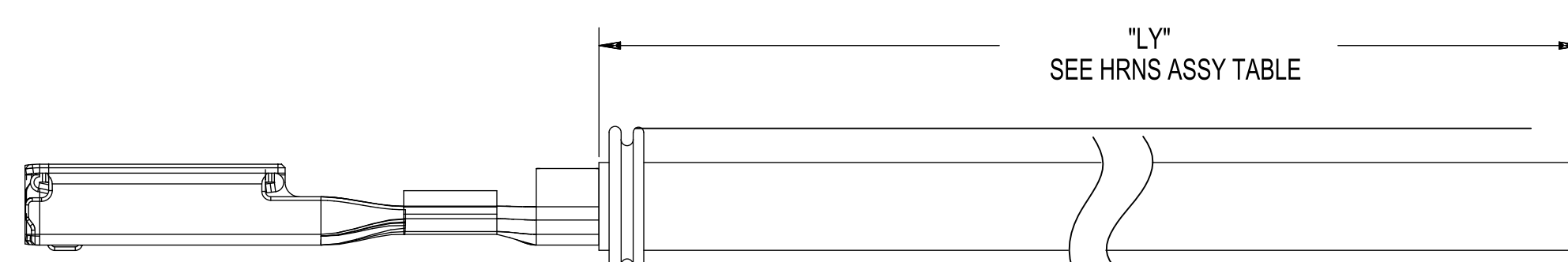
## HRNS ASSY



MX64 WIRE ASSY LOOPED  
MATERIAL #: SEE HRNS ASSY TABLE



MX64 WIRE ASSY PIGTAIL  
MATERIAL #: SEE HRNS ASSY TABLE



2.8mm YESC SEALED FEMALE PIGTAIL ASSY  
MATERIAL #: SEE HRNS ASSY TABLE

NOTES: UNLESS OTHERWISE SPECIFIED APPLIES TO "HRNS ASSY" ONLY  
1. REFER TO: PACKAGING DRAWING # PK-31300-078  
2. FOR HRNS ASSY WITH WIRE ASSY SEE NEXT PAGE

FUNCTIONAL SYMBOLS FA = 0 FE = 0 FP = 0 DIVISIONAL SYMBOLS	THIS DRAWING CONTAINS INFORMATION THAT IS PROPRIETARY TO MOLEX ELECTRONIC TECHNOLOGIES, LLC AND SHOULD NOT BE USED WITHOUT WRITTEN PERMISSION		CURRENT REV DESC: SEE REVISION TABLE			
	DIMENSION UNITS: mm SCALE: 1:5 GENERAL TOLERANCES (UNLESS SPECIFIED) ANGULAR TOL ± 0.5°	PHASE: Design Production CO NO: CO-00000304 DRWN: Kevin Kang CHK'D: Anil Kumar M S APPR: Brad Dick		2022-04-28 2022-06-28 2022-07-12		
	4 PLACES ± 3 PLACES ± 2 PLACES ± 1 PLACE ± 0 PLACES ±	INITIAL REVISION: DRWN: RFC_PLMIMP APPR:		DOCUMENT NUMBER: SD-34566-001 DOC TYPE: PSD DOC PART: 000 REVISION: G65		
	DRAFT WHERE APPLICABLE MUST REMAIN WITHIN DIMENSIONS	THIRD ANGLE PROJECTION	DRAWING: D-SIZE	SERIES: 34566		MATERIAL NUMBER: GENERAL MARKET CUSTOMER:



# ISO WIRE HRNS ASSY TABLE- TYPE 1

TESTED	HRNS ASSY					HRNS CONN ASSY	DRESS COVER	GROMMET CAP	MX64 WIRE ASSY PER E-33468-001							2.8mm YESC SEALED FEMALE TERMINAL TIN					TY-RAP	RUBBER BAND	
	MATERIAL #	CIRCUIT ID	KEY OPTION	WIRE DRESS OPTION	STATUS	MATERIAL #	MATERIAL #	MATERIAL #	MATERIAL #	RCPT PLATING	WIRE SIZE # mm²	WIRE TYPE	PIGTAIL OR LOOPED	"LMX" IN METERS 10%	QTY	MATERIAL #	WIRE SIZE # mm²	WIRE TYPE	PIGTAIL OR LOOPED	"LMX" IN METERS 10%	QTY	QTY	QTY
NO	2047789331	80	G	0	OBSOLETE	34566-0703	34565-0003	34571-0301	2047801003	Ag	0.35	ISO	PGTL	3	80	2047811003	2	ISO	PGTL	3	N/A	6	0
NO	2047789231	80	H	0	OBSOLETE	34566-0803	34565-0003	34571-0301	2047801003	Ag	0.35	ISO	PGTL	3	80	2047811003	2	ISO	PGTL	3	N/A	6	0
NO	2047789332	80	G	0	OBSOLETE	34566-0703	34565-0003	34571-0301	2047802003	Ag	0.50	ISO	PGTL	3	80	2047811003	2	ISO	PGTL	3	N/A	6	0
NO	2047789232	80	H	0	OBSOLETE	34566-0803	34565-0003	34571-0301	2047802003	Ag	0.50	ISO	PGTL	3	80	2047811003	2	ISO	PGTL	3	N/A	6	0
NO	2047789333	80	G	0	OBSOLETE	34566-0703	34565-0003	34571-0301	2047803003	Ag	0.75	ISO	PGTL	3	80	2047811003	2	ISO	PGTL	3	N/A	6	0
NO	2047789233	80	H	0	OBSOLETE	34566-0803	34565-0003	34571-0301	2047803003	Ag	0.75	ISO	PGTL	3	80	2047811003	2	ISO	PGTL	3	N/A	6	0
NO	2047799311	80	G	0	OBSOLETE	34566-0703	34565-0003	N/A	2047801101	Ag	0.35	ISO	LPD	1	80	2047811101	2	ISO	LPD	1	N/A	3	0
NO	2047799211	80	H	0	OBSOLETE	34566-0803	34565-0003	N/A	2047801101	Ag	0.35	ISO	LPD	1	80	2047811101	2	ISO	LPD	1	N/A	3	0
NO	2047799312	80	G	0	OBSOLETE	34566-0703	34565-0003	N/A	2047802101	Ag	0.50	ISO	LPD	1	80	2047811101	2	ISO	LPD	1	N/A	3	0
NO	2047799212	80	H	0	OBSOLETE	34566-0803	34565-0003	N/A	2047802101	Ag	0.50	ISO	LPD	1	80	2047811101	2	ISO	LPD	1	N/A	3	0
NO	2047799313	80	G	0	OBSOLETE	34566-0703	34565-0003	N/A	2047803101	Ag	0.75	ISO	LPD	1	80	2047811101	2	ISO	LPD	1	N/A	3	0
NO	2047799213	80	H	0	OBSOLETE	34566-0803	34565-0003	N/A	2047803101	Ag	0.75	ISO	LPD	1	80	2047811101	2	ISO	LPD	1	N/A	3	0
NO	2047789931	66	A	0	OBSOLETE	34822-0013	34565-0003	34822-5011	2047801003	Ag	0.35	ISO	PGTL	3	64	2047811003	2	ISO	PGTL	3	2	6	0
NO	2047789731	66	C	0	OBSOLETE	34822-0033	34565-0003	34822-5011	2047801003	Ag	0.35	ISO	PGTL	3	64	2047811003	2	ISO	PGTL	3	2	6	0
NO	2047789932	66	A	0	OBSOLETE	34822-0013	34565-0003	34822-5011	2047802003	Ag	0.50	ISO	PGTL	3	64	2047811003	2	ISO	PGTL	3	2	6	0
NO	2047789732	66	C	0	OBSOLETE	34822-0033	34565-0003	34822-5011	2047802003	Ag	0.50	ISO	PGTL	3	64	2047811003	2	ISO	PGTL	3	2	6	0
NO	2047789933	66	A	0	OBSOLETE	34822-0013	34565-0003	34822-5011	2047803003	Ag	0.75	ISO	PGTL	3	64	2047811003	2	ISO	PGTL	3	2	6	0
NO	2047789733	66	C	0	OBSOLETE	34822-0033	34565-0003	34822-5011	2047803003	Ag	0.75	ISO	PGTL	3	64	2047811003	2	ISO	PGTL	3	2	6	0
NO	2047799911	66	A	0	OBSOLETE	34822-0013	34565-0003	N/A	2047801101	Ag	0.35	ISO	LPD	1	64	2047811101	2	ISO	LPD	1	2	3	0
NO	2047799711	66	C	0	OBSOLETE	34822-0033	34565-0003	N/A	2047801101	Ag	0.35	ISO	LPD	1	64	2047811101	2	ISO	LPD	1	2	3	0
NO	2047799912	66	A	0	OBSOLETE	34822-0013	34565-0003	N/A	2047802101	Ag	0.50	ISO	LPD	1	64	2047811101	2	ISO	LPD	1	2	3	0
NO	2047799712	66	C	0	OBSOLETE	34822-0033	34565-0003	N/A	2047802101	Ag	0.50	ISO	LPD	1	64	2047811101	2	ISO	LPD	1	2	3	0
NO	2047799913	66	A	0	OBSOLETE	34822-0013	34565-0003	N/A	2047803101	Ag	0.75	ISO	LPD	1	64	2047811101	2	ISO	LPD	1	2	3	0
NO	2047799713	66	C	0	OBSOLETE	34822-0033	34565-0003	N/A	2047803101	Ag	0.75	ISO	LPD	1	64	2047811101	2	ISO	LPD	1	2	3	0

<b>FUNCTIONAL SYMBOLS</b> FA = 0 FE = 0 FP = 0 <b>DIVISIONAL SYMBOLS</b>	THIS DRAWING CONTAINS INFORMATION THAT IS PROPRIETARY TO MOLEX ELECTRONIC TECHNOLOGIES, LLC AND SHOULD NOT BE USED WITHOUT WRITTEN PERMISSION DIMENSION UNITS: <b>mm</b> SCALE: <b>1:1</b> GENERAL TOLERANCES (UNLESS SPECIFIED) ANGULAR TOL ± 0.5° 4 PLACES ± 3 PLACES ± 2 PLACES ± 1 PLACE ± 0 PLACES ± DRAFT WHERE APPLICABLE MUST REMAIN WITHIN DIMENSIONS	CURRENT REV DESC: SEE REVISION TABLE  PHASE: Design Production CO NO: CO-00000304 DRWN: Kevin Kang    2022-04-28 CHK'D: Anil Kumar M S    2022-06-28 APPR: Brad Dick    2022-07-12 INITIAL REVISION: DRWN: RFC_PLMIMP APPR:	MX123 66/73/80CKT HRNS CONN ASSY  PRODUCT SALES DRAWING
		DOCUMENT NUMBER: <b>SD-34566-001</b> DOC TYPE: PSD    DOC PART: 000    REVISION: G65	MATERIAL NUMBER: <b>34566</b> CUSTOMER: <b>GENERAL MARKET</b> SHEET NUMBER: <b>9 OF 11</b>

## ISO WIRE HRNS ASSY TABLE- TYPE 2

TESTED	HRNS ASSY					HRNS CONN ASSY	DRESS COVER	GROMMET CAP	MX64 WIRE ASSY PER E-33468-001							2.8mm YESC SEALED FEMALE TERMINAL TIN					TY-RAP	RUBBER BAND	
	MATERIAL #	CIRCUIT ID	KEY OPTION	WIRE DRESS OPTION	STATUS	MATERIAL #	MATERIAL #	MATERIAL #	MATERIAL #	RCPT PLATING	WIRE SIZE mm <sup>2</sup>	WIRE TYPE	PIGTAIL OR LOOPED	"LMX" IN METERS 10%	QTY	MATERIAL #	WIRE SIZE # mm <sup>2</sup>	WIRE TYPE	PIGTAIL OR LOOPED	"LMX" IN METERS 10%	QTY	QTY	QTY
NO	2047789931	73	A	0	SALEABLE	216739-0001	34565-0005	34571-0101	2047801003	Ag	0.35	ISO	PGTL	3	72	2047811003	2	ISO	PGTL	3	1	6	0
NO	2047789831	73	B	0	SALEABLE	216739-0002	34565-0005	34571-0101	2047801003	Ag	0.35	ISO	PGTL	3	72	2047811003	2	ISO	PGTL	3	1	6	0
NO	2047789731	73	C	0	SALEABLE	216739-0003	34565-0005	34571-0101	2047801003	Ag	0.35	ISO	PGTL	3	72	2047811003	2	ISO	PGTL	3	1	6	0
NO	2047789431	73	F	0	SALEABLE	216739-0006	34565-0005	34571-0101	2047801003	Ag	0.35	ISO	PGTL	3	72	2047811003	2	ISO	PGTL	3	1	6	0
NO	2047789932	73	A	0	SALEABLE	216739-0001	34565-0005	34571-0101	2047802003	Ag	0.50	ISO	PGTL	3	72	2047811003	2	ISO	PGTL	3	1	6	0
NO	2047789832	73	B	0	SALEABLE	216739-0002	34565-0005	34571-0101	2047802003	Ag	0.50	ISO	PGTL	3	72	2047811003	2	ISO	PGTL	3	1	6	0
NO	2047789732	73	C	0	SALEABLE	216739-0003	34565-0005	34571-0101	2047802003	Ag	0.50	ISO	PGTL	3	72	2047811003	2	ISO	PGTL	3	1	6	0
NO	2047789432	73	F	0	SALEABLE	216739-0006	34565-0005	34571-0101	2047802003	Ag	0.50	ISO	PGTL	3	72	2047811003	2	ISO	PGTL	3	1	6	0
NO	2047789933	73	A	0	SALEABLE	216739-0001	34565-0005	34571-0101	2047803003	Ag	0.75	ISO	PGTL	3	72	2047811003	2	ISO	PGTL	3	1	6	0
NO	2047789833	73	B	0	SALEABLE	216739-0002	34565-0005	34571-0101	2047803003	Ag	0.75	ISO	PGTL	3	72	2047811003	2	ISO	PGTL	3	1	6	0
NO	2047789733	73	C	0	SALEABLE	216739-0003	34565-0005	34571-0101	2047803003	Ag	0.75	ISO	PGTL	3	72	2047811003	2	ISO	PGTL	3	1	6	0
NO	2047789433	73	F	0	SALEABLE	216739-0006	34565-0005	34571-0101	2047803003	Ag	0.75	ISO	PGTL	3	72	2047811003	2	ISO	PGTL	3	1	6	0
NO	2047799911	73	A	0	SALEABLE	216739-0001	34565-0005	34571-0101	2047801101	Ag	0.35	ISO	LPD	1	72	2047811101	2	ISO	LPD	1	1	3	0
NO	2047799811	73	B	0	SALEABLE	216739-0002	34565-0005	34571-0101	2047801101	Ag	0.35	ISO	LPD	1	72	2047811101	2	ISO	LPD	1	1	3	0
NO	2047799711	73	C	0	SALEABLE	216739-0003	34565-0005	34571-0101	2047801101	Ag	0.35	ISO	LPD	1	72	2047811101	2	ISO	LPD	1	1	3	0
NO	2047799411	73	F	0	SALEABLE	216739-0006	34565-0005	34571-0101	2047801101	Ag	0.35	ISO	LPD	1	72	2047811101	2	ISO	LPD	1	1	3	0
NO	2047799912	73	A	0	SALEABLE	216739-0001	34565-0005	34571-0101	2047802101	Ag	0.50	ISO	LPD	1	72	2047811101	2	ISO	LPD	1	1	3	0
NO	2047799812	73	B	0	SALEABLE	216739-0002	34565-0005	34571-0101	2047802101	Ag	0.50	ISO	LPD	1	72	2047811101	2	ISO	LPD	1	1	3	0
NO	2047799712	73	C	0	SALEABLE	216739-0003	34565-0005	34571-0101	2047802101	Ag	0.50	ISO	LPD	1	72	2047811101	2	ISO	LPD	1	1	3	0
NO	2047799412	73	F	0	SALEABLE	216739-0006	34565-0005	34571-0101	2047802101	Ag	0.50	ISO	LPD	1	72	2047811101	2	ISO	LPD	1	1	3	0
NO	2047799913	73	A	0	SALEABLE	216739-0001	34565-0005	34571-0101	2047803101	Ag	0.75	ISO	LPD	1	72	2047811101	2	ISO	LPD	1	1	3	0
NO	2047799813	73	B	0	SALEABLE	216739-0002	34565-0005	34571-0101	2047803101	Ag	0.75	ISO	LPD	1	72	2047811101	2	ISO	LPD	1	1	3	0
NO	2047799713	73	C	0	SALEABLE	216739-0003	34565-0005	34571-0101	2047803101	Ag	0.75	ISO	LPD	1	72	2047811101	2	ISO	LPD	1	1	3	0
NO	2047799413	73	F	0	SALEABLE	216739-0006	34565-0005	34571-0101	2047803101	Ag	0.75	ISO	LPD	1	72	2047811101	2	ISO	LPD	1	1	3	0
NO	2047789333	80	G	0	SALEABLE	216738-0001	34565-0005	34571-0301	2047803003	Ag	0.75	ISO	PGTL	3	80	N/A	N/A	N/A	N/A	N/A	N/A	6	0
NO	2047789233	80	H	0	SALEABLE	216738-0002	34565-0005	34571-0301	2047803003	Ag	0.75	ISO	PGTL	3	80	N/A	N/A	N/A	N/A	N/A	N/A	6	0

FUNCTIONAL SYMBOLS	THIS DRAWING CONTAINS INFORMATION THAT IS PROPRIETARY TO MOLEX ELECTRONIC TECHNOLOGIES, LLC AND SHOULD NOT BE USED WITHOUT WRITTEN PERMISSION		
$F_A = 0$	DIMENSION UNITS	SCALE	CURRENT REV DESC: SEE REVISION TABLE
$F_C = 0$	mm	1:1	
$F_P = 0$	GENERAL TOLERANCES (UNLESS SPECIFIED)		
	ANGULAR TOL	± 0.5°	
	4 PLACES	±	PHASE: Design Production
	3 PLACES	±	CO NO: CO-000000304
	2 PLACES	±	DRWN: Kevin Kang 2022-04-28
	1 PLACE	±	CHK'D: Anil Kumar M S 2022-06-28
	0 PLACES	±	APPR: Brad Dick 2022-07-12
DIVISIONAL SYMBOLS	DRAFT WHERE APPLICABLE MUST REMAIN WITHIN DIMENSIONS		INITIAL REVISION: DRWN: RFC_PLMIMP APPR:
	THIRD ANGLE PROJECTION	DRAWING	SERIES
		D-SIZE	34566
	MATERIAL NUMBER		CUSTOMER
	SD-34566-001		GENERAL MARKET
	DOCUMENT NUMBER	DOC TYPE	DOC PART
	SD-34566-001	PSD	000
	REVISION		
	G65		
	SHEET NUMBER		
	10 OF 11		

# ISO WIRE HRNS ASSY TABLE- TYPE 2

TESTED	HRNS ASSY					HRNS CONN ASSY	DRESS COVER	GROMMET CAP	MX64 WIRE ASSY PER E-33468-001							2.8mm YESC SEALED FEMALE TERMINAL TIN					TY-RAP	RUBBER BAND	
	MATERIAL #	CIRCUIT ID	KEY OPTION	WIRE DRESS OPTION	STATUS	MATERIAL #	MATERIAL #	MATERIAL #	MATERIAL #	RCPT PLATING	WIRE SIZE # mm²	WIRE TYPE	PIGTAIL OR LOOPED	"LMX" IN METERS 10%	QTY	MATERIAL #	WIRE SIZE # mm²	WIRE TYPE	PIGTAIL OR LOOPED	"LMX" IN METERS 10%	QTY	QTY	QTY
NO	2047789331	80	G	0	SALEABLE	216738-0001	34565-0005	34571-0301	2047801003	Ag	0.35	ISO	PGTL	3	80	2047811003	2	ISO	PGTL	3	N/A	6	0
NO	2047789231	80	H	0	SALEABLE	216738-0002	34565-0005	34571-0301	2047801003	Ag	0.35	ISO	PGTL	3	80	2047811003	2	ISO	PGTL	3	N/A	6	0
NO	2047789332	80	G	0	SALEABLE	216738-0001	34565-0005	34571-0301	2047802003	Ag	0.50	ISO	PGTL	3	80	2047811003	2	ISO	PGTL	3	N/A	6	0
NO	2047789232	80	H	0	SALEABLE	216738-0002	34565-0005	34571-0301	2047802003	Ag	0.50	ISO	PGTL	3	80	2047811003	2	ISO	PGTL	3	N/A	6	0
NO	2047789333	80	G	0	SALEABLE	216738-0001	34565-0005	34571-0301	2047803003	Ag	0.75	ISO	PGTL	3	80	2047811003	2	ISO	PGTL	3	N/A	6	0
NO	2047789233	80	H	0	SALEABLE	216738-0002	34565-0005	34571-0301	2047803003	Ag	0.75	ISO	PGTL	3	80	2047811003	2	ISO	PGTL	3	N/A	6	0
NO	2047799311	80	G	0	SALEABLE	216738-0001	34565-0005	N/A	2047801101	Ag	0.35	ISO	LPD	1	80	2047811101	2	ISO	LPD	1	N/A	3	0
NO	2047799211	80	H	0	SALEABLE	216738-0002	34565-0005	N/A	2047801101	Ag	0.35	ISO	LPD	1	80	2047811101	2	ISO	LPD	1	N/A	3	0
NO	2047799312	80	G	0	SALEABLE	216738-0001	34565-0005	N/A	2047802101	Ag	0.50	ISO	LPD	1	80	2047811101	2	ISO	LPD	1	N/A	3	0
NO	2047799212	80	H	0	SALEABLE	216738-0002	34565-0005	N/A	2047802101	Ag	0.50	ISO	LPD	1	80	2047811101	2	ISO	LPD	1	N/A	3	0
NO	2047799313	80	G	0	SALEABLE	216738-0001	34565-0005	N/A	2047803101	Ag	0.75	ISO	LPD	1	80	2047811101	2	ISO	LPD	1	N/A	3	0
NO	2047799213	80	H	0	SALEABLE	216738-0002	34565-0005	N/A	2047803101	Ag	0.75	ISO	LPD	1	80	2047811101	2	ISO	LPD	1	N/A	3	0
NO	2047789931	66	A	0	SALEABLE	216741-0001	34565-0005	34822-5011	2047801003	Ag	0.35	ISO	PGTL	3	64	2047811003	2	ISO	PGTL	3	2	6	0
NO	2047789731	66	C	0	SALEABLE	216741-0003	34565-0005	34822-5011	2047801003	Ag	0.35	ISO	PGTL	3	64	2047811003	2	ISO	PGTL	3	2	6	0
NO	2047789932	66	A	0	SALEABLE	216741-0001	34565-0005	34822-5011	2047802003	Ag	0.50	ISO	PGTL	3	64	2047811003	2	ISO	PGTL	3	2	6	0
NO	2047789732	66	C	0	SALEABLE	216741-0003	34565-0005	34822-5011	2047802003	Ag	0.50	ISO	PGTL	3	64	2047811003	2	ISO	PGTL	3	2	6	0
NO	2047789933	66	A	0	SALEABLE	216741-0001	34565-0005	34822-5011	2047803003	Ag	0.75	ISO	PGTL	3	64	2047811003	2	ISO	PGTL	3	2	6	0
NO	2047789733	66	C	0	SALEABLE	216741-0003	34565-0005	34822-5011	2047803003	Ag	0.75	ISO	PGTL	3	64	2047811003	2	ISO	PGTL	3	2	6	0
NO	2047799911	66	A	0	SALEABLE	216741-0001	34565-0005	N/A	2047801101	Ag	0.35	ISO	LPD	1	64	2047811101	2	ISO	LPD	1	2	3	0
NO	2047799711	66	C	0	SALEABLE	216741-0003	34565-0005	N/A	2047801101	Ag	0.35	ISO	LPD	1	64	2047811101	2	ISO	LPD	1	2	3	0
NO	2047799912	66	A	0	SALEABLE	216741-0001	34565-0005	N/A	2047802101	Ag	0.50	ISO	LPD	1	64	2047811101	2	ISO	LPD	1	2	3	0
NO	2047799712	66	C	0	SALEABLE	216741-0003	34565-0005	N/A	2047802101	Ag	0.50	ISO	LPD	1	64	2047811101	2	ISO	LPD	1	2	3	0
NO	2047799913	66	A	0	SALEABLE	216741-0001	34565-0005	N/A	2047803101	Ag	0.75	ISO	LPD	1	64	2047811101	2	ISO	LPD	1	2	3	0
NO	2047799713	66	C	0	SALEABLE	216741-0003	34565-0005	N/A	2047803101	Ag	0.75	ISO	LPD	1	64	2047811101	2	ISO	LPD	1	2	3	0

<b>FUNCTIONAL SYMBOLS</b> FA = 0 FE = 0 FP = 0	THIS DRAWING CONTAINS INFORMATION THAT IS PROPRIETARY TO MOLEX ELECTRONIC TECHNOLOGIES, LLC AND SHOULD NOT BE USED WITHOUT WRITTEN PERMISSION DIMENSION UNITS: <b>mm</b> SCALE: <b>1:1</b> GENERAL TOLERANCES (UNLESS SPECIFIED) ANGULAR TOL ± 0.5° 4 PLACES ± 3 PLACES ± 2 PLACES ± 1 PLACE ± 0 PLACES ±	CURRENT REV DESC: SEE REVISION TABLE  PHASE: Design Production CO NO: CO-00000304 DRWN: Kevin Kang    2022-04-28 CHK'D: Anil Kumar M S    2022-06-28 APPR: Brad Dick    2022-07-12	
DRAFT WHERE APPLICABLE MUST REMAIN WITHIN DIMENSIONS			THIRD ANGLE PROJECTION
DIVISIONAL SYMBOLS		DRAWING: <b>D-SIZE</b> SERIES: <b>34566</b>	DOCUMENT NUMBER: <b>SD-34566-001</b> DOC TYPE: <b>PSD</b> DOC PART: <b>000</b> REVISION: <b>G65</b>
MATERIAL NUMBER: <b>SD-34566-001</b> CUSTOMER: <b>GENERAL MARKET</b>		SHEET NUMBER: <b>11 OF 11</b>	