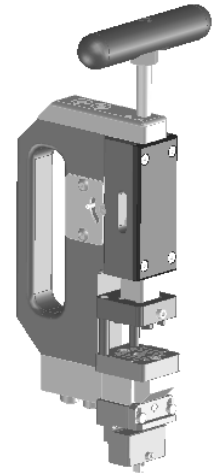




## LED Cable Connector Module Cable Punch and Termination Tool Order No. 62100-6700



### FEATURES

- Same tool used for punching cable and terminating connector
- Handheld tool intended for field installation or repairs
- Anti-backup feature ensures full tool travel

### SCOPE

Products: LED Cable Connector Module, 93056 series. The cable specifications are per drawing SD-93056-031. See Product List below for specific order numbers.

### Product List

The following is a partial list of the product order numbers and their specifications that this tool is designed to run. Updates to this list are available on [www.molex.com](http://www.molex.com).

Connector Order Number	Description
93056-0100	Cable Connector Assembly

### Tool Setup

The principal parts of the punch and termination tool are shown in Figure 1.

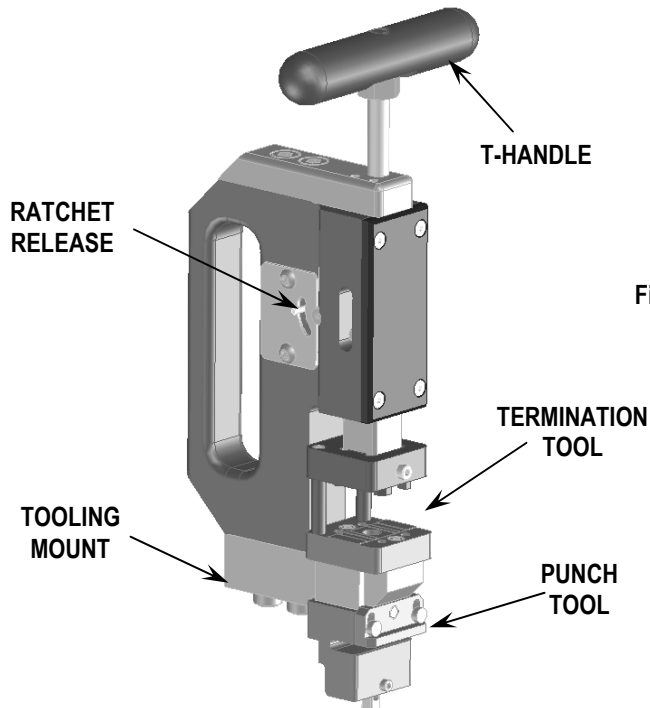


Figure 1

### Tool Changeover between Termination and Punch

1. Turn the T-handle counterclockwise (CCW) until the ram is fully up.
2. Using a 3mm hex wrench, remove the punch holding screw from the upper termination tool.
3. Using a 6mm hex wrench, remove the (2) M8 screws holding the tooling mount to the frame.
4. Remove the tooling mount from the frame and rotate it so the punch tool is facing up.
5. Pull the cable punch up so it extends from the top of the die.
6. Put the tooling mount back on the frame and tighten the (2) M8 screws securely.
7. Visually check that the hole in the cable punch is aligned to the punch holding screw hole. The ram may need to be moved down slightly for this.
8. Install the punch holding screw in the upper termination tool. (If the screw does not go fully into the hole then the punch hole is not aligned to the screw. Remove the screw and recheck alignment.)

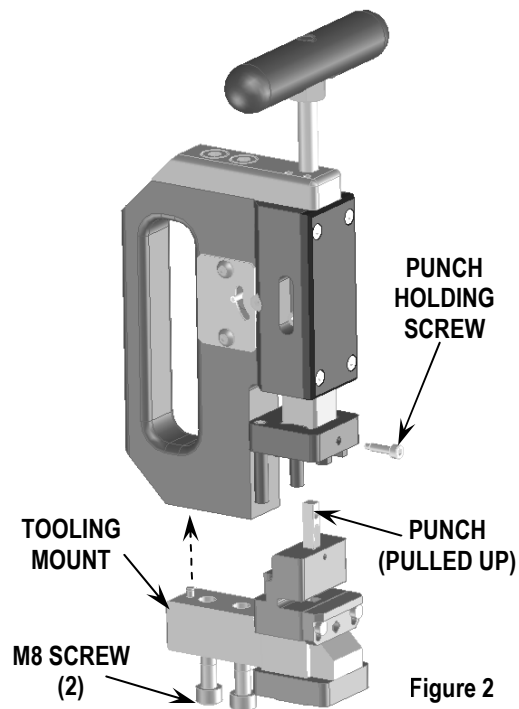


Figure 2

**Note:** For changeover details, see Figure 2

9. Changeover from punch to termination is the reverse operation. Be sure to put the punch holding screw back in its hole. Also, to prevent punch damage, push the punch down into the die until it stops.

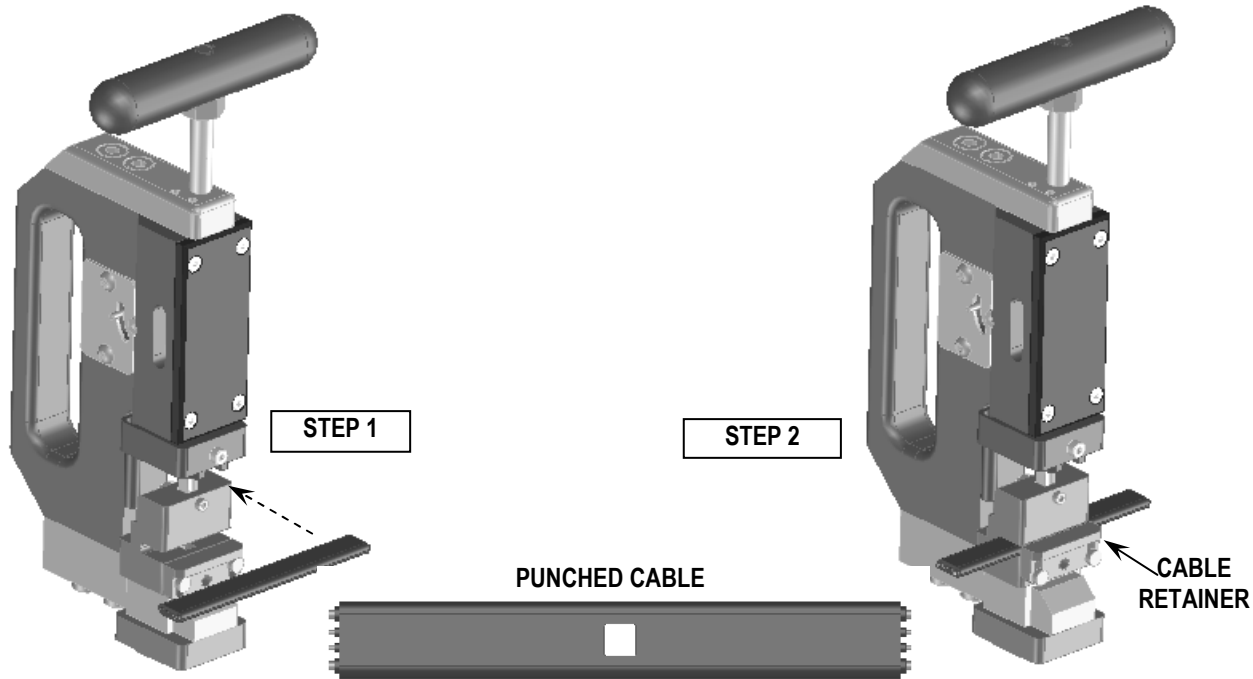
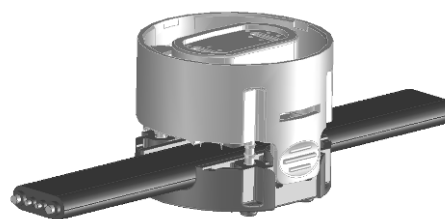


Figure 3

## Tool Operation

For Cable Punching see Figure 3:

1. Slide the cable into the front opening of the die. If the cable does not fit into the opening, the punch may be partially down. Turn the T-handle counterclockwise (CCW) to raise the punch.
2. Lift up the cable retainer to keep the cable from falling out of the die.
3. Turn the T-handle clockwise to lower the punch. The anti-backup ratchet operates in the final 6mm (0.24") of travel to insure full tool operation. In case of a tool jam, the ratchet pawl can be manually lifted up to release the ratchet.
4. After the cable has been punched and the anti-backup ratchet has released, push down the cable retainer to relieve the pressure of the cable. Turn the T-handle counterclockwise (CCW) and raise the punch.



PRELOAD ASSEMBLY  
BY HAND

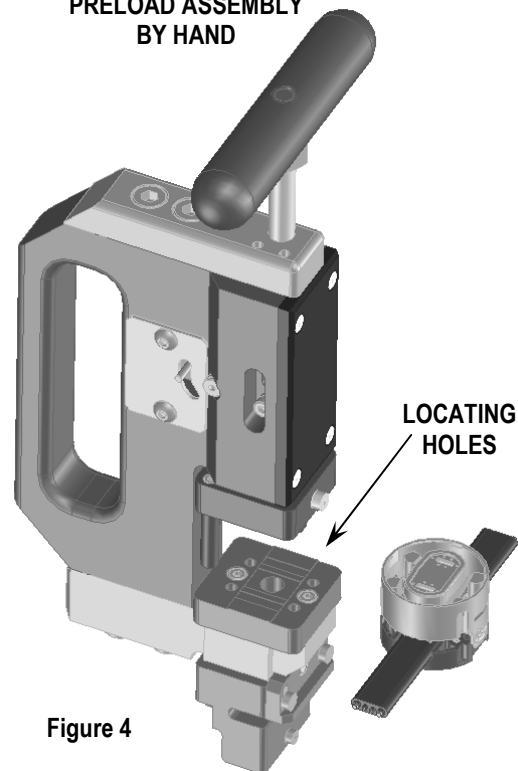


Figure 4

## Tool Operation

For Cable Termination see Figure 4:

1. Place the upper and lower halves of the connector module over the punched cable. Align the barbed posts to the holes and gently squeeze the halves together by hand so the assembly can be placed in the tool.
2. The lower termination nest has locating holes that accept the pegs on the lower module. Place the assembly in the nest and make sure the pegs enter the holes.
3. Turn the T-handle clockwise to close the connector. The anti-backup ratchet operates in the final 6mm (0.24") of travel to insure full tool operation. In case of a tool jam, the ratchet pawl can be manually lifted up to release the ratchet.
4. After the connector is closed and the anti-backup ratchet has released, turn the T-handle counterclockwise to raise the termination tool. Remove the assembly and inspect termination height to Molex drawing number SD-93056-001 (sheet 3).

## Contact Information

For more information on Molex application tooling please contact Molex at 1-800-786-6539.

## Parts List

Item	Order No	Description	Quantity
	<b>62100-6700</b>	<b>Cable Punch and Termination Tool</b>	<b>Figure 5</b>
1	62100-6701	Tool Frame	1
2	62100-6702	Ram Guide	1
3	62100-6703	Ram	1
4	62100-6704	Ratchet Pawl	1
5	62100-6705	Ratchet Bar	1
6	62100-6706	Ram Guide Cover	1
7	62100-6707	Pawl Cover	1
8	62100-6708	Top Cover	1
9	62100-6709	Drive Screw	1
10	62100-6710	Tooling Mount	1
11	62100-6711	Ram Platen	1
12	62100-6712	Handle	1
13	62100-6713	Down Stop	2
14	62100-6714	Die	1
15	62100-6715	Punch	1
16	62100-6716	Retainer	1
17	62100-6717	Bottom Nest	1
18	63600-1970	Extension Spring	1
19	63600-1971	M6 Ball Plunger	1
20	63600-1972	M4 by 16 Long Dog Point Screw	1
21	63600-1973	M6 Flanged Ball Plunger	1
22	63600-1974	5mm Diameter by 10 Long Shoulder Screw	1
23	63600-1975	Compression Spring	1
24	63700-3398	4mm Diameter by 6.0 Long Shoulder Screw	2
<b>Hardware</b>			
25	N/A	M3 by 6 Long SHCS	1**
26	N/A	M3 by 16 Long SHCS	2**
27	N/A	M3 by 20 Long SHCS	1**
28	N/A	M4 by 8 Long SHCS	4**
29	N/A	M4 by 14 Long SHCS	5**
30	N/A	M4 by 20 Long SHCS	2**
31	N/A	M5 by 6 Long BHCS	2**
32	N/A	M5 by 10 Long Set Screw	1**
33	N/A	M5 by 14 Long SHCS	3**
34	N/A	M8 by 20 Long SHCS	2**
35	N/A	M8 by 40 Long SHCS	2**
36	N/A	3mm by 12 Long Roll Pin	1**
37	N/A	3mm by 12 Long Dowel Pin	1**
38	N/A	3mm by 20 Long Dowel Pin	1**
39	N/A	4mm by 10 Long Dowel Pin	4**
40	N/A	6mm by 16 Long Dowel Pin	1**
41	N/A	6mm by 25 Long Dowel Pin	1**
42	N/A	M6 Hex Jam Nut	1**
43	N/A	M10 Regular Hex Nut	1**

\*\* Available from an industrial supply company such as MSC (1-800-645-7270).

**Assembly Drawing**

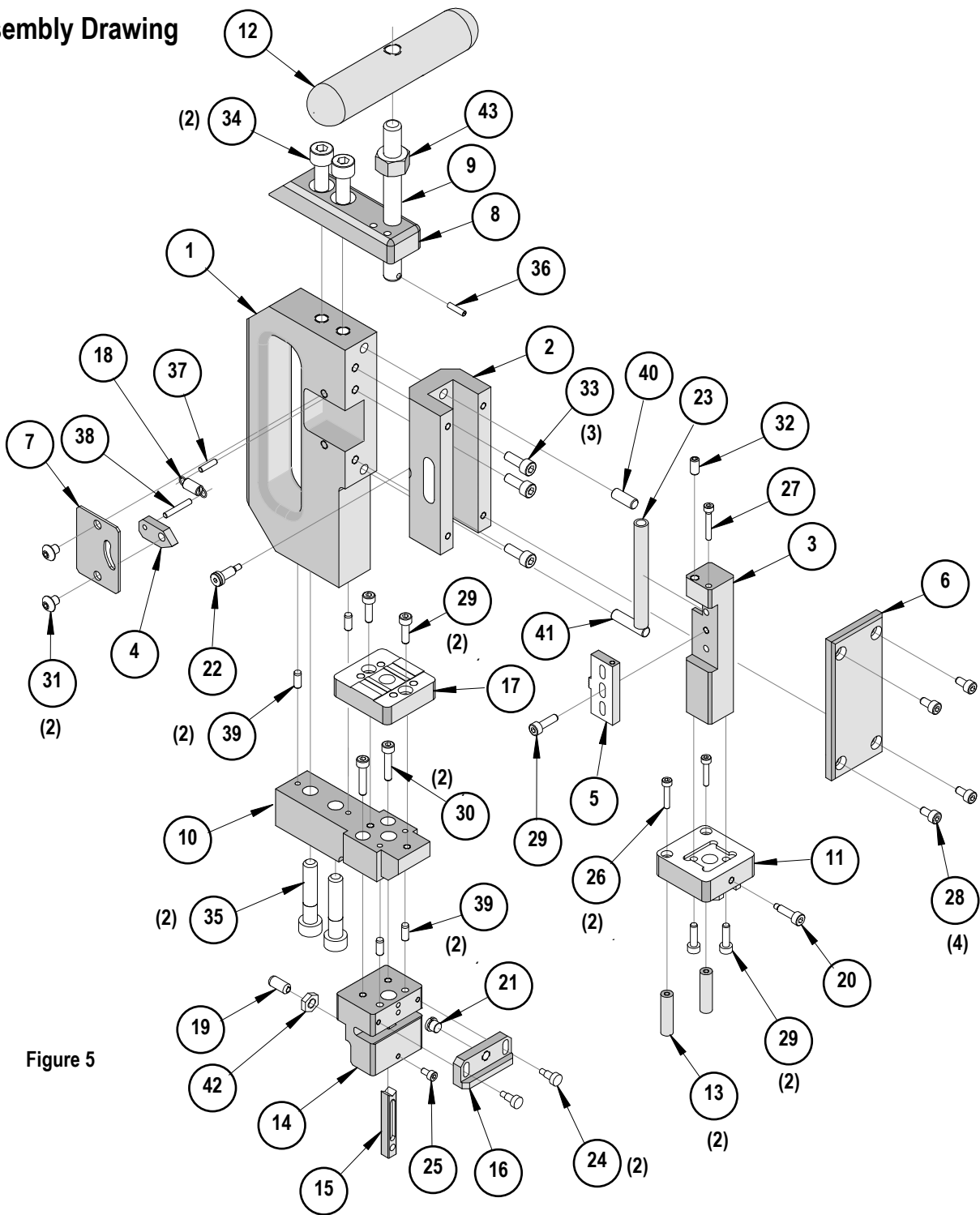


Figure 5

**Americas Headquarters**  
 Lisle, Illinois 60532 U.S.A.  
 1-800-78MOLEX  
 amerinfo@molex.com

**Far East North Headquarters**  
 Yamato, Kanagawa, Japan  
 81-462-65-2324  
 feninfo@molex.com

**Far East South Headquarters**  
 Jurong, Singapore  
 65-6-268-6868  
 fesinfo@molex.com

**European Headquarters**  
 Munich, Germany  
 49-89-413092-0  
 eurinfo@molex.com

**Corporate Headquarters**  
 2222 Wellington Ct.  
 Lisle, IL 60532 U.S.A.  
 630-969-4550  
 Fax: 630-969-1352

Visit our Web site at <http://www.molex.com>