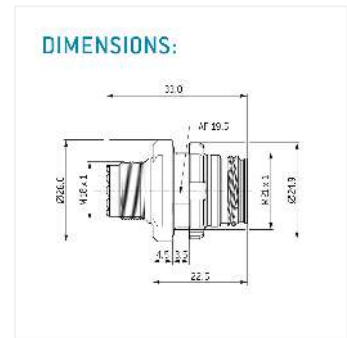
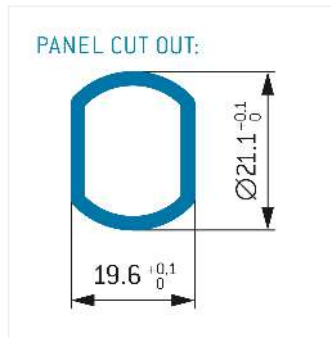
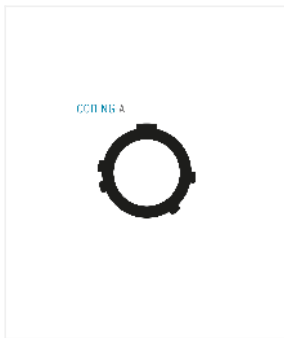


series\_t, Receptacle for backshell, mil\_standard\_38999

General information

Part number	GBTAATO-HM18SN-0000
Termination	crimp
Size	12 (STD 38999)
Locking principle	break , push , screw
Coding	a_key_amc
Cable Diameter	cable_amc_t_h
Cable outlet	backshell



Contact insert description

Number of contacts	18
Contact type	sockets
Contact diameter	4_09_14_076mm
Insulator material	peek
Wire cross section	20-24_22-26_awg
Termination	crimp

Technical information

Nominal current single contact	075_14_a	iec_60512_5_2
Test voltage	1_075_kv_AC	eia_364_20f

safety\_text

Mechanical and environmental data

Degree of protection*	ipsk8_ip6k9k
Operating temperature	65_175_c
Mating cycles	500

mated

## Material and surface treatments

<b>Housing</b>	alu_tin_nickel
----------------	----------------

<b>Contact</b>	cu_alloy_gold
----------------	---------------

data\_text

safety\_text\_2

data\_text

ul\_text

illustrative\_text