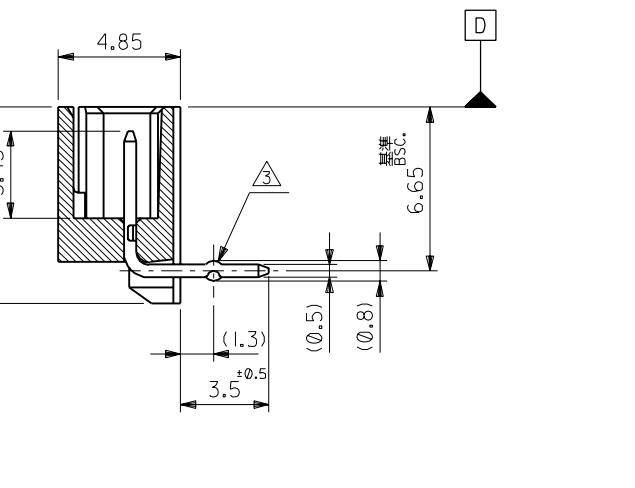
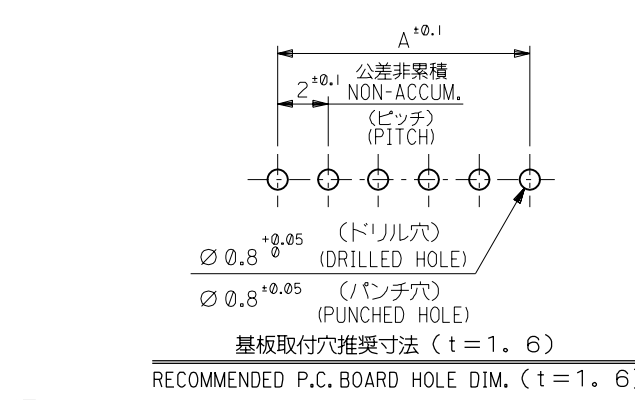
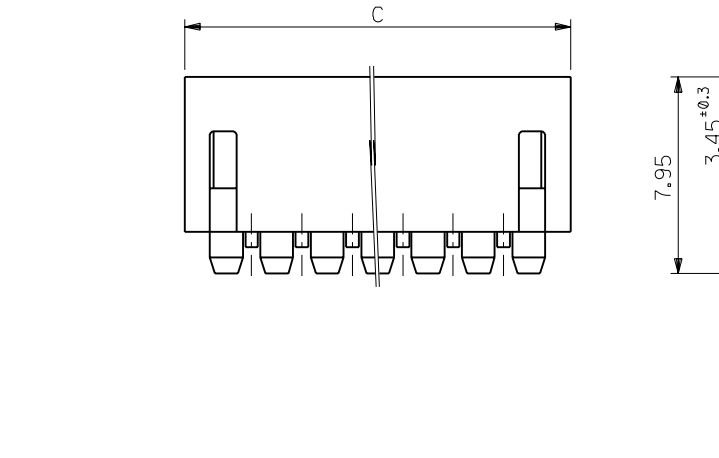
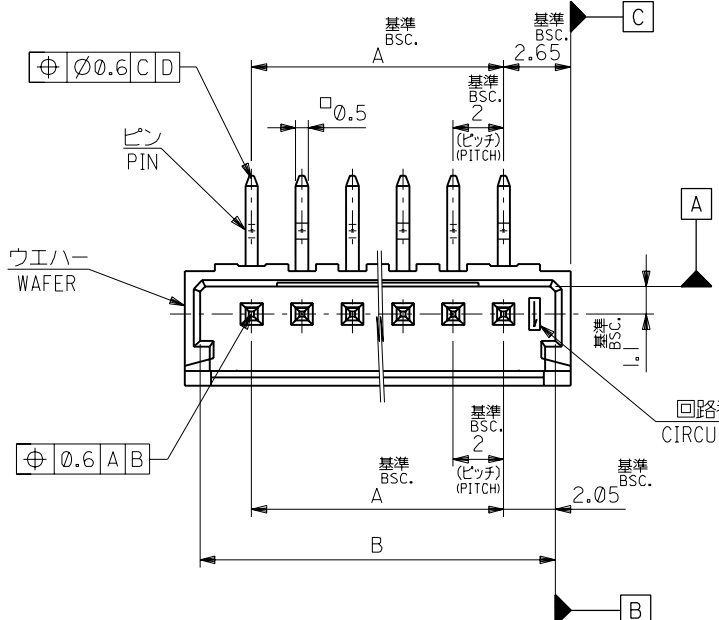


DWG. NO. SD-53325-001



注記 NOTES

1. 嵌合相手: 51090-***00, 52484-***1
MATES WITH
 2. 材質 MATERIAL
ウエハー: PBT (ガラス15%入り) UL94V-0
WAFER: PBT (G.F. 15%), UL94V-0
ピン: 黄銅, スズメッキ
PIN: BRASS, PRE-TINNED
- △ キングは全ピンに交互に付加。2極はキング無し。
SET KINK ALTERNATELY TO ALL CIRCUITS.
CIRCUIT 2 HAS NO KINK.

△ 製品番号 ENG. NO.
53325-***|*

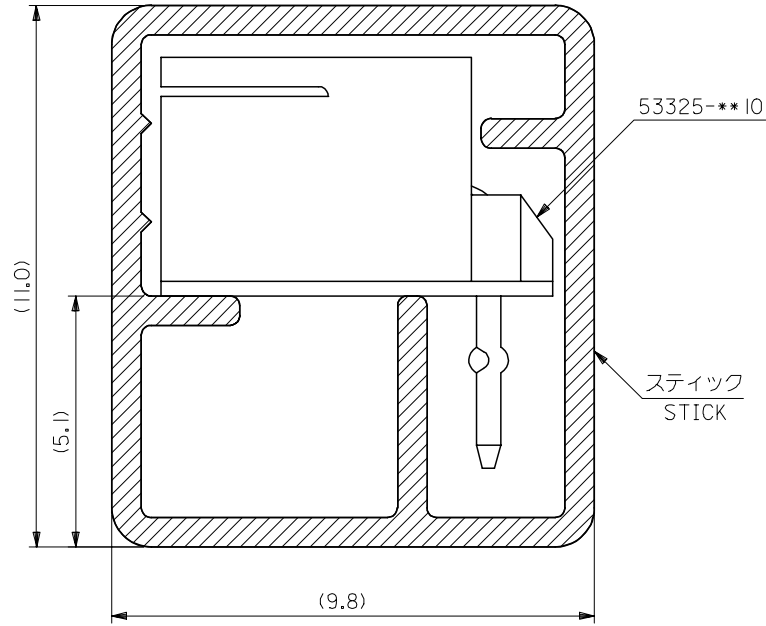
ナチュラル (白) NATURAL (WHITE)	0
赤 RED	2
黄 YELLOW	3
青 BLUE	4

33.3	32.1	28	53325-151*	15
31.3	30.1	26	-14*	14
29.3	28.1	24	-13*	13
27.3	26.1	22	-12*	12
25.3	24.1	20	-11*	11
23.3	22.1	18	-10*	10
21.3	20.1	16	-09*	9
19.3	18.1	14	-08*	8
17.3	16.1	12	-07*	7
15.3	14.1	10	-06*	6
13.3	12.1	8	-05*	5
11.3	10.1	6	-04*	4
9.3	8.1	4	-03*	3
7.3	6.1	2	53325-021*	2
C	B	A	△ 4. ENG. NO.	極数CKT.

DO NOT SCALE DRAWING

064 NO. DRWN: CH'K: APPR: 063 NO. DRWN: CH'K: APPR: 062 NO. DRWN: CH'K: APPR: 061 NO. DRWN: CH'K: APPR: 0 RELEASED DRWN: K.SAKAMOTO CH'K: J.MIYAZAWA APPR: YO.IITO	MATERIAL 材料 注記参照 SEE NOTES FINISH 仕上げ WIRE RANGE 適用線径範囲 INS. RANGE 被覆外径	GENERAL TOLERANCES: (UNLESS SPECIFIED) 一般公差 10 UNDER 未満 ±0.2 10 OVER 30 UNDER 未満 ±0.25 30 OVER 以上 ±0.3 ANGLE 角度 ±3°	SCALE 5-1 DESIGN UNITS 単位 DIMENSIONS: 寸法 DIMENSIONS: 寸法 DIMENSIONS: 寸法 DIMENSIONS: 寸法	DRAWN BY & DATE K. Sakamoto '02/01/15 CHECKED BY & DATE Y. Mizuno '02/01/15 APPROVED BY & DATE Y. Ito '02/01/15 CAD FILENAME 53325001.S01	TITLE: 2.0 WIRE TO BOARD CONN. WAFER ASS'Y (R/A) MOLEX INCORPORATED MATERIAL NO. SEE CHART DRAWING NO. SD-53325-001 SHEET NO. 1 OF 1
--	--	---	--	--	--

10 9 8 7 6 5 4 3 2 1



注記
NOTES

1. スティック両端はキャップ止めとする。
BOTH ENDS WITH CAPS.
2. 全 長: 600±2
TOTAL LENGTH
3. 肉 厚: 0.6±0.2
THICKNESS

16	53325-1590	15
18	53325-1490	14
19	53325-1390	13
20	53325-1290	12
22	53325-1190	11
24	53325-1090	10
26	53325-0990	9
28	53325-0890	8
32	53325-0790	7
36	53325-0690	6
42	53325-0590	5
48	53325-0490	4
60	53325-0390	3
75	53325-0290	2
梱包数 QUANTITY	ENG.NO.	種数 CKT.

REVISED EC NO: J2007-3499 DRW: NAKATA 2007/07/06 CHK: M. SOGAYA 2007/07/23 APPR: NUKITA 2007/07/23	GENERAL TOLERANCES (UNLESS SPECIFIED)		DIMENSION STYLE MM ONLY	SCALE 10:1	DESIGN UNITS METRIC	THIRD ANGLE PROJECTION	
	10 UNDER	±0.2	DRAWN BY T. HASHIMOTO	DATE 1992/05/25	TITLE 53325-***10 STICK PACKAGING		
	10 OVER 30 UNDER	±0.25	CHECKED BY Y. YAMAMOTO	DATE 1992/05/25			
	30 OVER	±0.3	APPROVED BY S. YAMADA	DATE 1992/05/25	MOLEX INCORPORATED		
ANGULAR	±3 °	MATERIAL NO.	DOCUMENT NO. SD-53325-005	SHEET NO. 1 OF 1			
D	REV	DRAFT WHERE APPLICABLE MUST REMAIN WITHIN DIMENSIONS		SIZE A3	THIS DRAWING CONTAINS INFORMATION THAT IS PROPRIETARY TO MOLEX INCORPORATED AND SHOULD NOT BE USED WITHOUT WRITTEN PERMISSION		