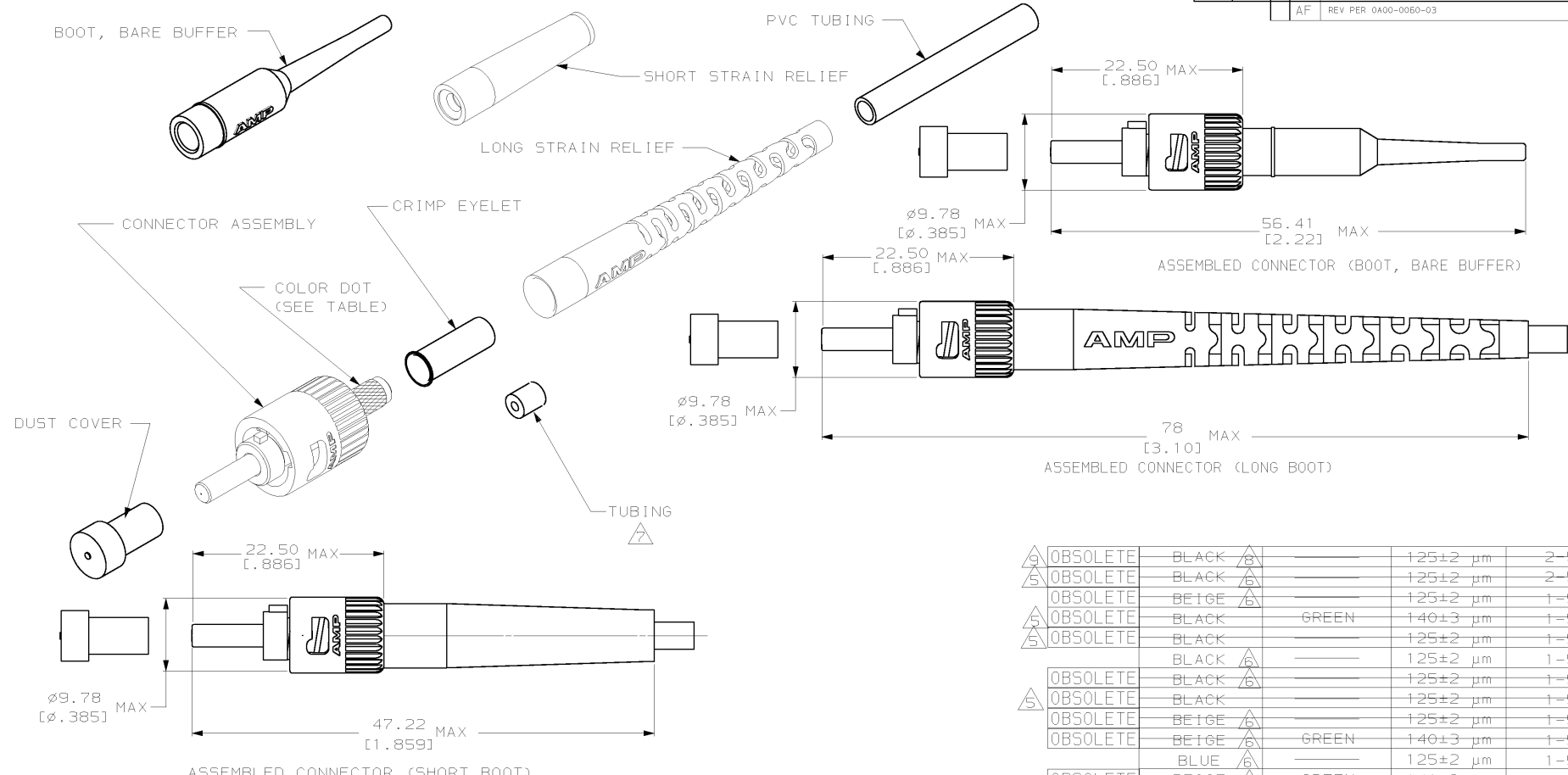


THIS DRAWING IS UNPUBLISHED. RELEASED FOR PUBLICATION .19
 © COPYRIGHT 19 BY AMP INCORPORATED. ALL RIGHTS RESERVED.

LOC	DIST	REVISIONS					
CE	16	P	LTR	DESCRIPTION	DATE	OWN	APVD
		AF		REV PER 0A00-0050-03	07MAR03	DDE	SB



- DIMENSIONS IN [] ARE IN INCHES.
- INSTRUCTION SHEET 408-9645.
- △ BODY: ELECTROLESS NICKEL
COUPLING NUT: ELECTROLESS NICKEL
- △ BODY: BRASS
CAPILLARY: ZIRCONIUM OXIDE (ZrO₂)
COUPLING NUT: ZINC
STRAIN RELIEF: THERMOPLASTIC
- △ BULK PACKAGED
- △ SHORT BOOT
- △ CLEAR TUBING USED ONLY ON 900μm BUFFERED FIBER FIBER WITHOUT STRENGTH MEMBERS.
- △ BARE BUFFER (900μm) BOOT
- △ PVC TUBING NOT INCLUDED

△	OBSELETE	COLOR	△	STRAIN RELIEF	COLOR DOT	FIBER SIZE	PART NO
△ 9	OBSELETE	BLACK	△ 8			125±2 μm	2-501380-1
△ 5	OBSELETE	BLACK	△ 6			125±2 μm	2-501380-0
△ 5	OBSELETE	BEIGE	△ 6			125±2 μm	1-501380-9
△ 5	OBSELETE	BLACK	△ 6	GREEN		140±3 μm	1-501380-8
△ 5	OBSELETE	BLACK	△ 6			125±2 μm	1-501380-7
	OBSELETE	BLACK	△ 6			125±2 μm	1-501380-6
△ 5	OBSELETE	BLACK	△ 6			125±2 μm	1-501380-5
	OBSELETE	BLACK	△ 6			125±2 μm	1-501380-4
	OBSELETE	BEIGE	△ 6			125±2 μm	1-501380-3
	OBSELETE	BEIGE	△ 6	GREEN		140±3 μm	1-501380-2
	OBSELETE	BLUE	△ 6			125±2 μm	1-501380-1
	OBSELETE	BEIGE	△ 6	GREEN		140±3 μm	1-501380-0
	OBSELETE	BLUE	△ 6			125±2 μm	501380-9
	OBSELETE	RED	△ 6	GREEN		140±3 μm	501380-8
	OBSELETE	RED	△ 6			125±2 μm	501380-7
		BLACK	△ 6	GREEN		140±3 μm	501380-6
	OBSELETE	BLACK	△ 6			125±2 μm	501380-5
	OBSELETE	BEIGE	△ 6	GREEN		140±3 μm	501380-4
	OBSELETE	BEIGE	△ 6			125±2 μm	501380-3
	OBSELETE	BLACK	△ 6	GREEN		140±3 μm	501380-2
	OBSELETE	BLACK	△ 6			125±2 μm	501380-1
		STRAIN RELIEF COLORS		COLOR DOT		FIBER SIZE	PART NO

THIS DRAWING IS A CONTROLLED DOCUMENT.

DIMENSIONS:	TOLERANCES UNLESS OTHERWISE SPECIFIED:	OWN: C. EISENHOUR 5-3-88	AMP Incorporated
mm		CHK: A. PLOTS 5-4-88	Harrisburg, PA 17105-3608
		APVD: J. MONROE 5-4-88	CONNECTOR KIT, 2.5mm BAYONET, OPTIMATE
		PRODUCT SPEC: 108-1492	
MATERIAL: △ 4	FINISH: △ 3	APPLICATION SPEC:	SIZE: A2
		WEIGHT: -	CAGE CODE (DRAWING NO): 00779
		CUSTOMER DRAWING	RESTRICTED TO: -
		SCALE: 2:1	SHEET: 1 OF 1
			REV: AF