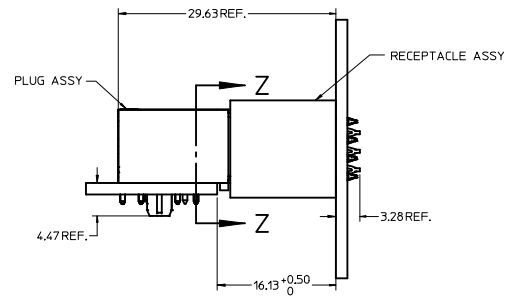
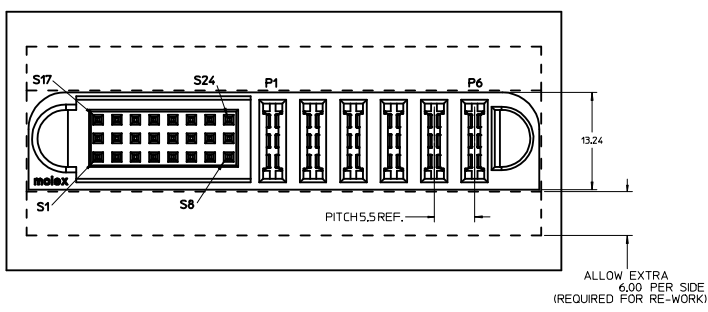
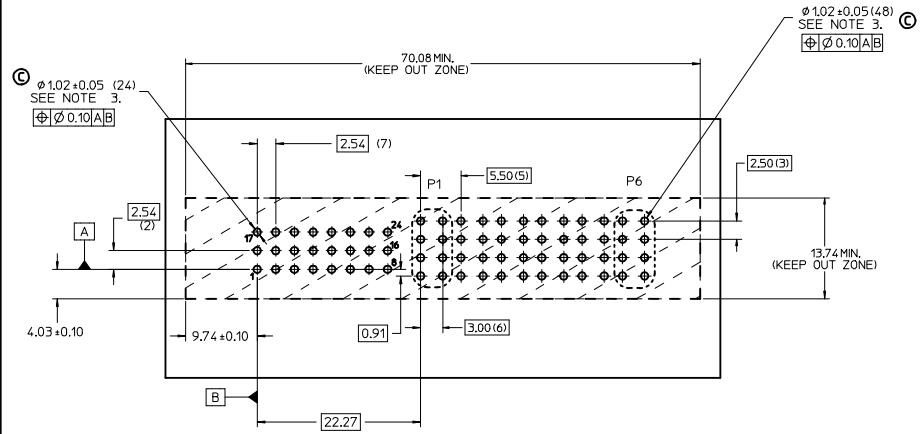


P/N: 46562-1003



MATING PROFILE (SHOWN MATED TO PLUG ASSY 46437-1003)



RECOMMENDED PCB LAYOUT AND KEEP OUT ZONE

- NOTES:
- MATERIAL:
    - HOUSINGS: LCP UL94, V-0, COLOR: BLACK.
    - TERMINALS: COPPER ALLOY.
    - PLATING: 127 MICROMETER(50 MICROINCH) NICKEL OVERALL WITH 2.54 MICROMETER(100 MICROINCH) SELECTIVE TIN ON TAILS AND 0.762 MICROMETER(30 MICROINCH) SELECTIVE GOLD ON CONTACT AREA
  - PACKAGING: ASSEMBLIES TO BE TRAY PACKED PER PACKAGING SPEC: TBD
  - PLATED THRU HOLE SIZE REFERS TO PS-46436-100 FOR DETAILS
  - PRODUCT SPEC: PS-46436-100
  - APPLICATION SPEC: AS-46436-100
  - PRODUCT TO MEET RoHS REQUIREMENTS
  - ASSEMBLY MATES TO MOLEX PLUG ASSEMBLY P/N 46437-1003
  - TAIL DESIGN: COMPLIANT PIN
  - POWER AND SIGNAL CONTACTS ARE LUBRICATED.

|   |                 |   |   |   |  |                        |  |
|---|-----------------|---|---|---|--|------------------------|--|
| DRAWING UPDATE<br>IEC NO: UICP2013-1288<br>DRAWN BY: CHYKJESSIECHUA<br>CHECKED BY: APPR:SHONG<br>2012/10/02<br>2012/12/14 | QUALITY SYMBOLS | GENERAL TOLERANCES (UNLESS SPECIFIED)   | DIMENSION STYLE   | SCALE   | DESIGN UNITS   | THIRD ANGLE PROJECTION |  |
|   |                 | mm INCH   | MM ONLY   | 3:1   | METRIC   |                        |  |
|   |                 | 4 PLACES ±.010 ±.010<br>3 PLACES ±.025 ±.010<br>2 PLACES ±.025 ±.010<br>1 PLACE ±.025 ±.010 | DATE DATE<br>BKOSTIC 2007/09/10<br>BKOSTIC 2007/10/10<br>BKOSTIC 2007/10/10 | DATE DATE<br>BKOSTIC 2007/09/10<br>BKOSTIC 2007/10/10<br>BKOSTIC 2007/10/10 | TITLE<br>VERICAL RECEPTICAL<br>6 PWR AND 24 SIGNAL CKT<br>TEN60 FAMILY |                        |  |
|   |                 | ANGULAR ±1/2°   | DATE DATE<br>BKOSTIC 2007/10/10<br>BKOSTIC 2007/10/10                       | MATERIAL NO. DOCUMENT NO.<br>46562-1003 SD-46562-103                        |  |                        |  |
| DRAFT WHERE APPLICABLE MUST REMAIN WITHIN DIMENSIONS  |                 | SIZE D  |   | SHEET NO. 1 OF 1  |  |                        |  |