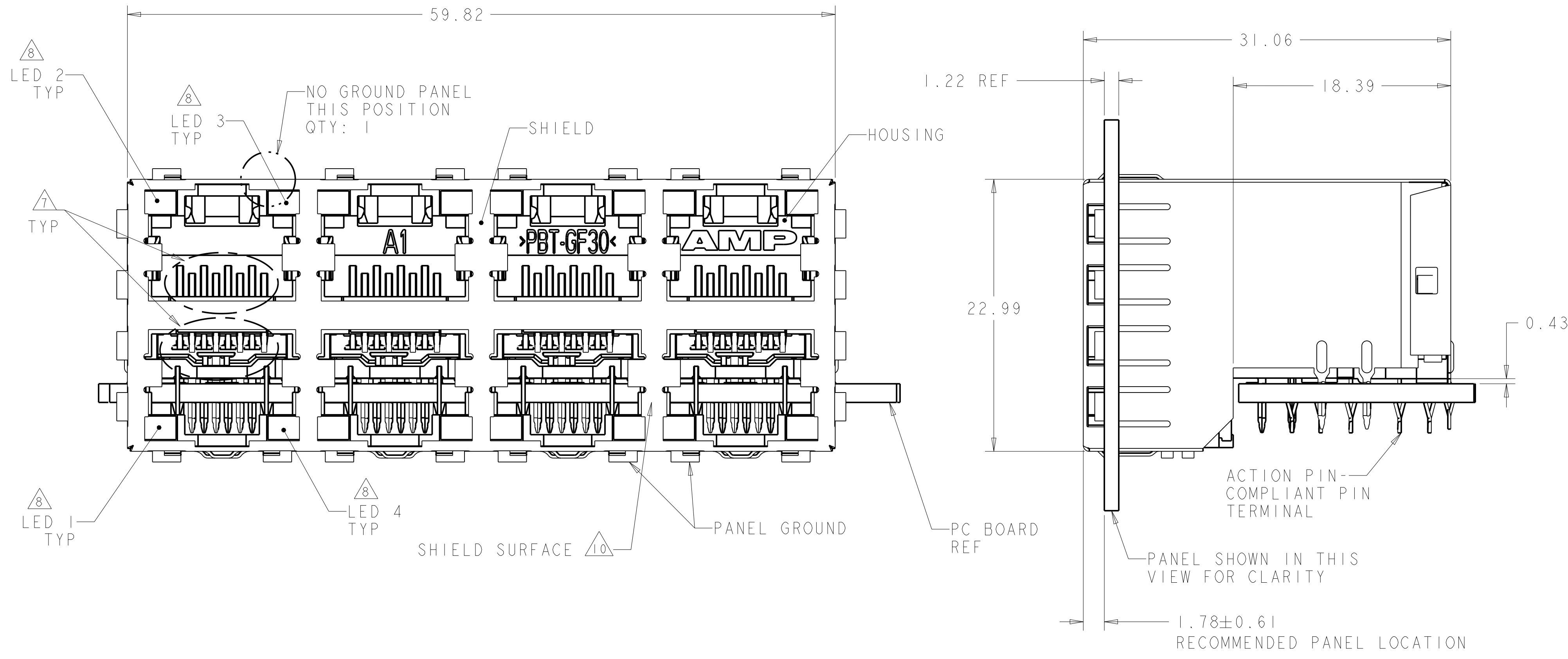
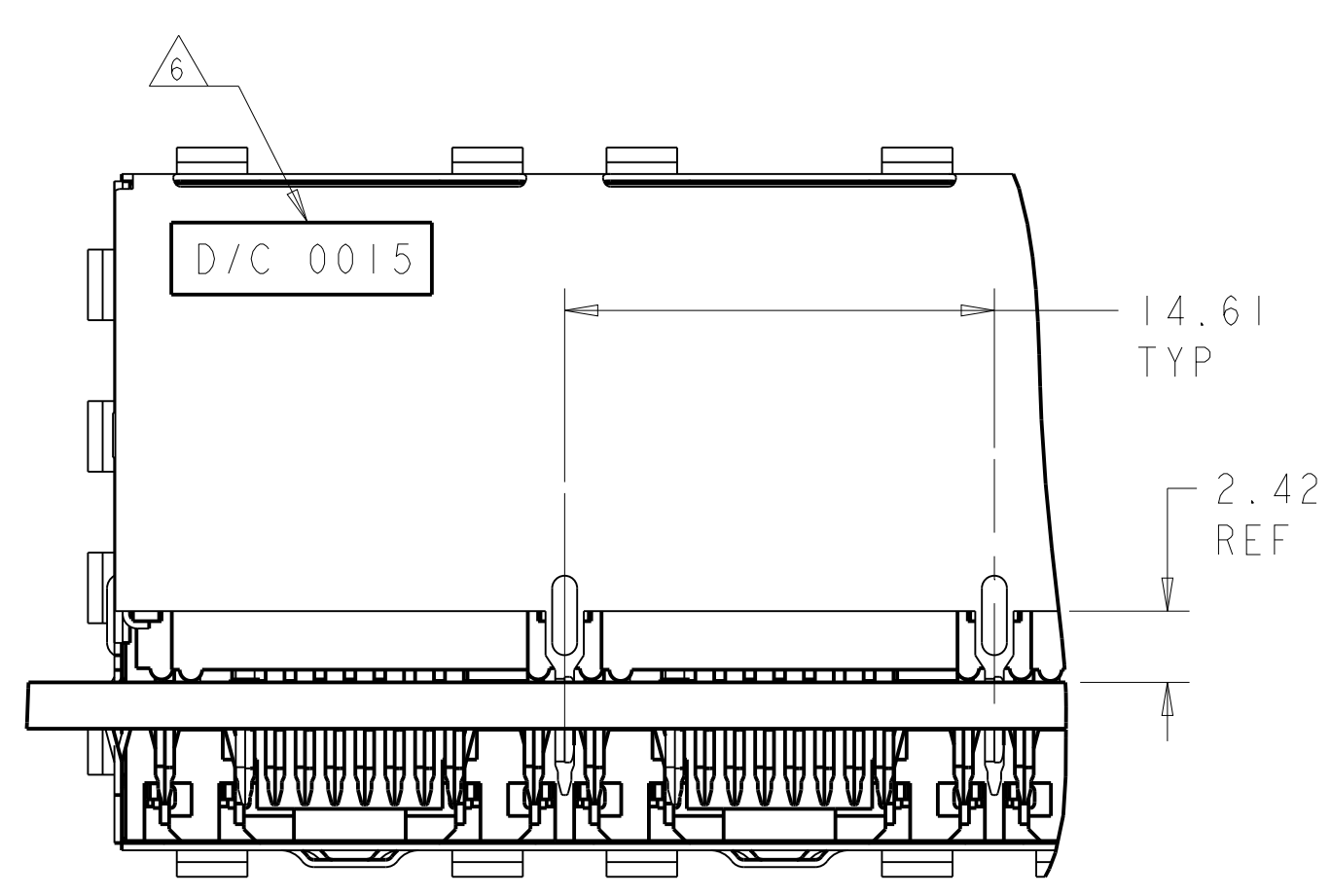


| REVISIONS |                           |             |           |        |
|-----------|---------------------------|-------------|-----------|--------|
| REV       | LTN                       | DESCRIPTION | DATE      | APPROV |
| B         | ECO-06-011836             |             | 20MAR2006 | LAM JW |
| C         | ECO-06-014722             |             | 20JUN2006 | LAM JW |
| D         | ECO-15-006810             |             | 22JAN2016 | LL SH  |
| E         | REVISED PER ECO-21-000623 |             | 28JAN2021 | AK SZ  |



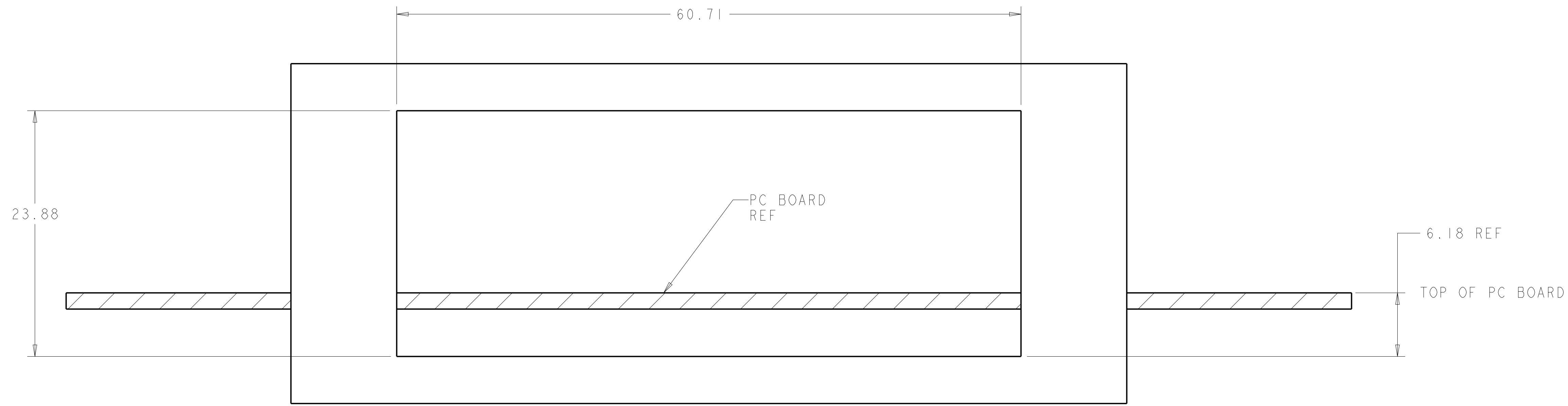
- MATERIAL:  
HOUSING  
 PBT POLYESTER, BLACK, UL 94V-0.  
TERMINALS  
 0.33 THICK PHOSPHOR BRONZE PLATED WITH 1.27µm MINIMUM THICK HARD GOLD IN LOCALIZED AREA AND 3.81µm MINIMUM THICK MATTE TIN IN ACTION PIN COMPLIANT PIN TERMINAL AREA OVER 1.27µm MINIMUM THICK NICKEL UNDERPLATE.  
SHIELD  
 0.25 THICK COPPER ALLOY PLATED WITH 1.27µm MINIMUM NICKEL.  
LIGHT EMITTING DIODE (LED)  
 DIFFUSED EPOXY LENS, 12.95 CARBON STEEL WIREFRAME LEADS PREPLATED WITH 8.89µm THICK Sn/Cu OVER 2.03µm THICK Ag OVER 1.02µm THICK Cu OVER 3.56µm THICK Ni OVER 1.02µm THICK Cu UNDERPLATE  
LED ACTION PIN - COMPLIANT PIN CONTACTS  
 0.3 THICK BRASS PLATED WITH 2µm MINIMUM MATTE TIN OVER 1.27µm MINIMUM NICKEL UNDERPLATE.
- JACK CAVITY CONFORMS TO FCC RULES AND REGULATIONS, PART 68 SUBPART F.
- ALL DIMENSIONS ARE NOMINAL UNLESS OTHERWISE SPECIFIED.
- DRILLED HOLE DIA = 1.02±.025.  
 COPPER THICKNESS = 0.025-0.075.  
 TIN LEAD THICKNESS = 0.008 MIN.
- DATUMS AND BASIC DIMENSIONS ESTABLISHED BY CUSTOMER.
- DATE CODE LOCATED ON REAR OF PART APPROXIMATELY AS SHOWN.
- CONTACTS ARE NOT INTENDED TO BE ALIGNED WITH EACH OTHER.
- SUGGESTED OPERATING CURRENT FOR LEDS IS 20 mA.
- TWO LEDS PER PORT, SIZE .079 X .118, SEE TABLE FOR COLOR



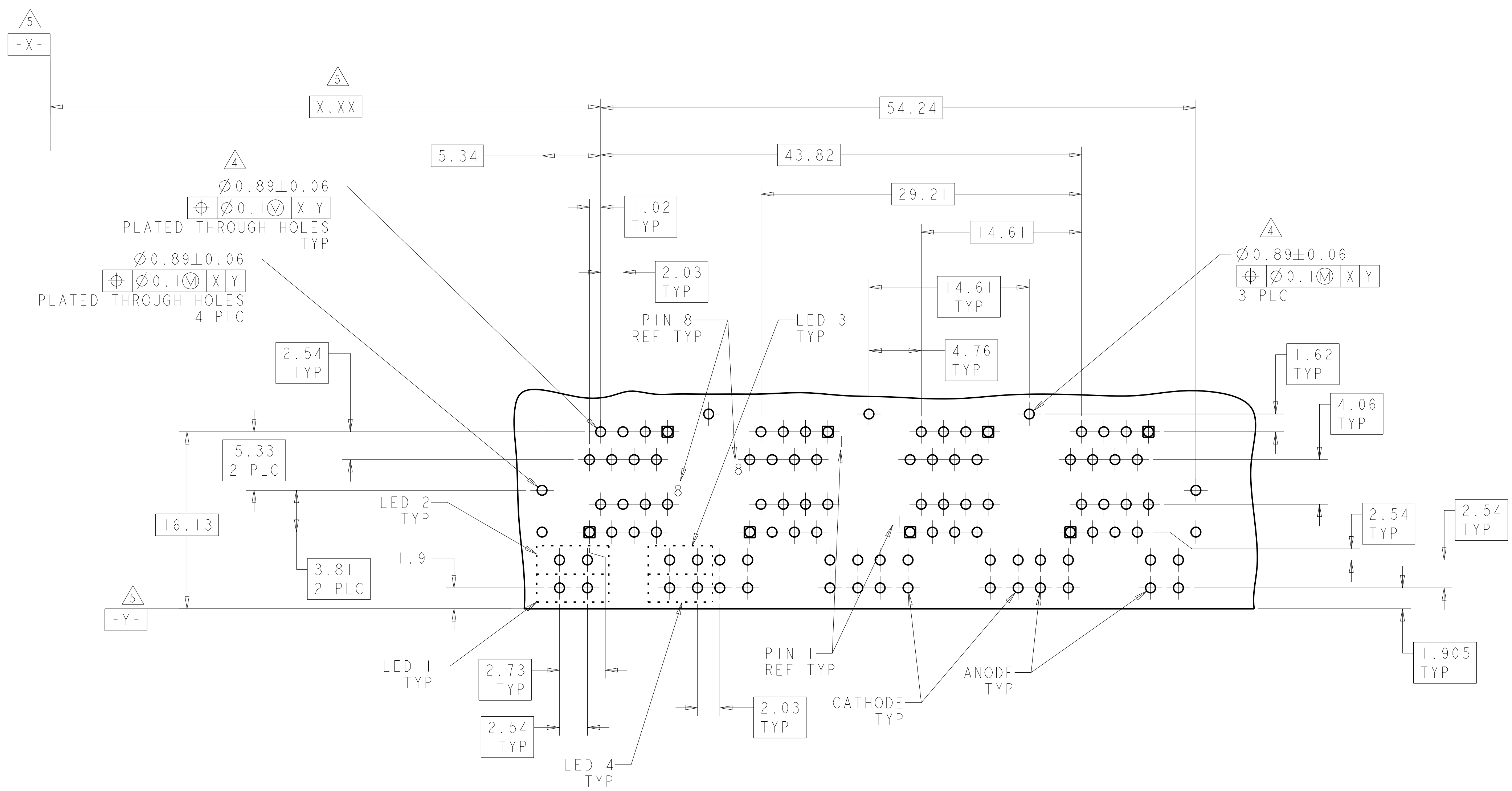
PARTIAL BACK VIEW

|  |                      |   |                     |             |
|--|----------------------|---|---------------------|-------------|
| YELLOW                                 | YELLOW               | GREEN   | GREEN               | 1888423-1   |
| LED #4 (LOWER-RIGHT)                   | LED #3 (UPPER-RIGHT) | LED #2 (UPPER-LEFT)   | LED #1 (LOWER-LEFT) | PART NUMBER |
| THIS DRAWING IS A CONTROLLED DOCUMENT. |                      |   |                     |             |
| DIMENSIONS:                            |                      | TOLERANCES UNLESS OTHERWISE SPECIFIED:  |                     |             |
| mm                                     | 0 PLC ±.1            | 1 PLC ±0.13   | 2 PLC ±.1           | 3 PLC ±.1   |
|  | 4 PLC ±.1            | 5 PLC ±.1   | ANGLES ±.1          | FINISH      |
| MATERIAL                               | SEE NOTE 1           | SEE NOTE 1  | SEE NOTE 1          | SEE NOTE 1  |
| CUSTOMER DRAWING                       |                      | SCALE 4:1 SHEET 1 OF 2 REV E  |                     |             |
| DWG: B. HOLTZLAUER & MAYER 30MAR2006   |                      | CHK: J. WESTMAN 30MAR2006   |                     |             |
| APVD: S. FLICKINGER 30MAR2006          |                      | NAME: STACKED MODULAR JACK ASSEMBLY, 2x4 OFFSET, WITH LEDS, 8 POSN, RJ45 SHIELDED, PANEL GROUNDS, CAT 5 |                     |             |
| PRODUCT SPEC: 108-1854                 |                      | APPLICATION SPEC: 114-2160  |                     |             |
| SIZE: A1                               |                      | CAGE CODE: 100779   |                     |             |
| DRAWING NO: 1888423                    |                      | RESTRICTED TO:  |                     |             |

| REVISIONS |     |             |      |      |
|-----------|-----|-------------|------|------|
| P.        | LTN | DESCRIPTION | DATE | APVD |
| -         | -   | SEE SHEET 1 | -    | -    |
|           |     |             |      |      |
|           |     |             |      |      |



RECOMMENDED PANEL CUT-OUT



PC BOARD LAYOUT  
(COMPONENT SIDE)

|  |                    |   |   |
|--|--------------------|---|---|
| THIS DRAWING IS A CONTROLLED DOCUMENT. |                    | OWN: B. HOLTZCLAUF & WAYER<br>30MAR2006 | NAME: STACKED MODULAR JACK ASSEMBLY, 2x4 OFFSET, WITH LEDS, 8 POSN, RJ45 SHIELDED, PANEL GROUNDS, CAT 5 |
| DIMENSIONS: mm                         |                    | CHK: J. WESTMAN<br>30MAR2006            | PRODUCT SPEC: 108-1854  |
| TOLERANCES UNLESS OTHERWISE SPECIFIED: |                    | APVD: S. FLICKINGER<br>30MAR2006        | APPLICATION SPEC: 114-2160  |
| 0 PLC ±                                | 1 PLC ±0.1         | SIZE: A1                                | CAGE CODE: 1888423  |
| 2 PLC ±0.13                            | 3 PLC ±            | WEIGHT: -                               | SCALE: 4:1  |
| 4 PLC ±                                | ANGLES ±           | CUSTOMER DRAWING                        | SHEET 2 OF 2  |
| MATERIAL: SEE NOTE 1                   | FINISH: SEE NOTE 1 | DATE: 30MAR2006                         | REV: E  |