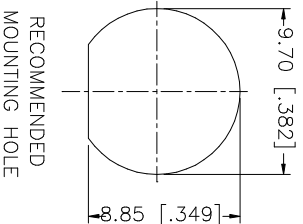
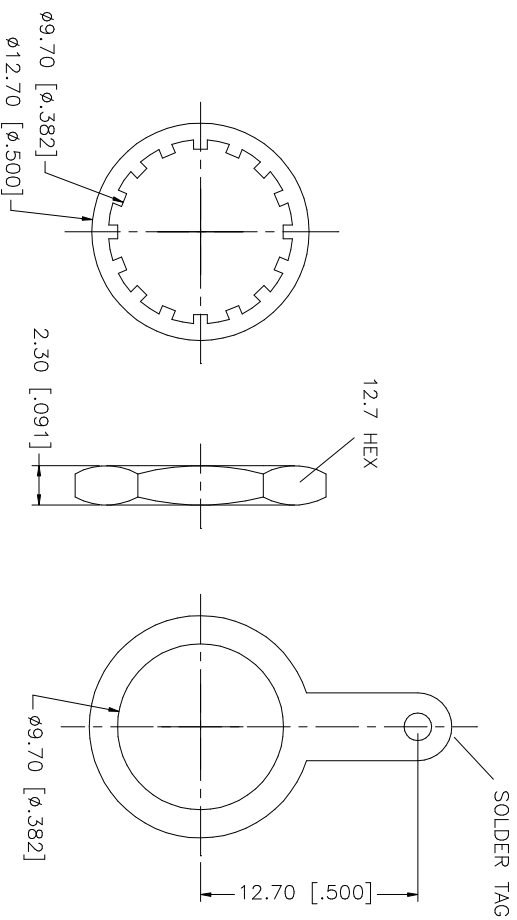
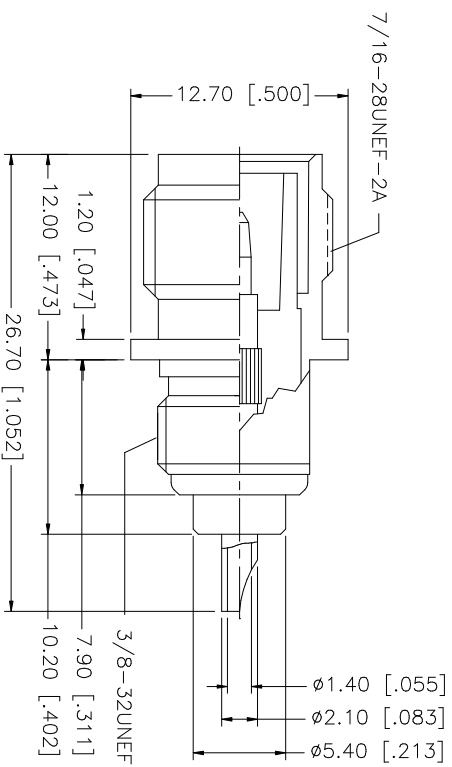


REV.	DATE	DESCRIPTION
A	02/21/06	UPDATE DRAWING FORMAT



NOTE:
1. MAX. PANEL THICKNESS = 3.2mm

QTY	DESCRIPTION	MATERIAL	FINISH	QTY	DO NOT SCALE DRAWING	CAD FILE	APPROVALS	DATE	PART DESCRIPTION
1	INSULATOR BODY	BRASS	NICKEL	1	1.180 - 4.724 = ± 0.020"	C:\122\122332RP.DWG	DRAWN G.R.S.	02/21/06	TNC REVERSE POLARITY BULKHEAD RECEPTACLE JACK
1	INSULATOR	DELIRIN	NATURAL	1	.020 - .315 = ± 0.007"		CHECKED		
1	CONTACT PIN	PHOS. BRONZE	GOLD	1	.315 - 1.180 = ± 0.015"		ISSUED		
1	LOCK WASHER	BRASS	NICKEL	1	30 - 120mm ± 0.50mm		SHEET	1 OF 1	
1	HEX NUT	BRASS	NICKEL	1	0.5 - 8mm ± 0.20mm				
1	SOLDER TAB	BRASS	NICKEL	1	8 - 30mm ± 0.40mm				
8					UNLESS OTHERWISE SPECIFIED, DIMENSIONS ARE IN INCHES AND FOR CUSTOMER REFERENCE ONLY. TOLERANCES FOR MILLING ARE: UNLESS OTHERWISE SPECIFIED TOLERANCES FOR MACHINING ARE: UNLESS OTHERWISE SPECIFIED, DIMENSIONS ARE IN INCHES AND FOR CUSTOMER REFERENCE ONLY.				

Amphenol Connex

TNC REVERSE POLARITY BULKHEAD
RECEPTACLE JACK

122332RP

DWG. NO. 122332RP.DWG REV. A SIZE A SCALE NA