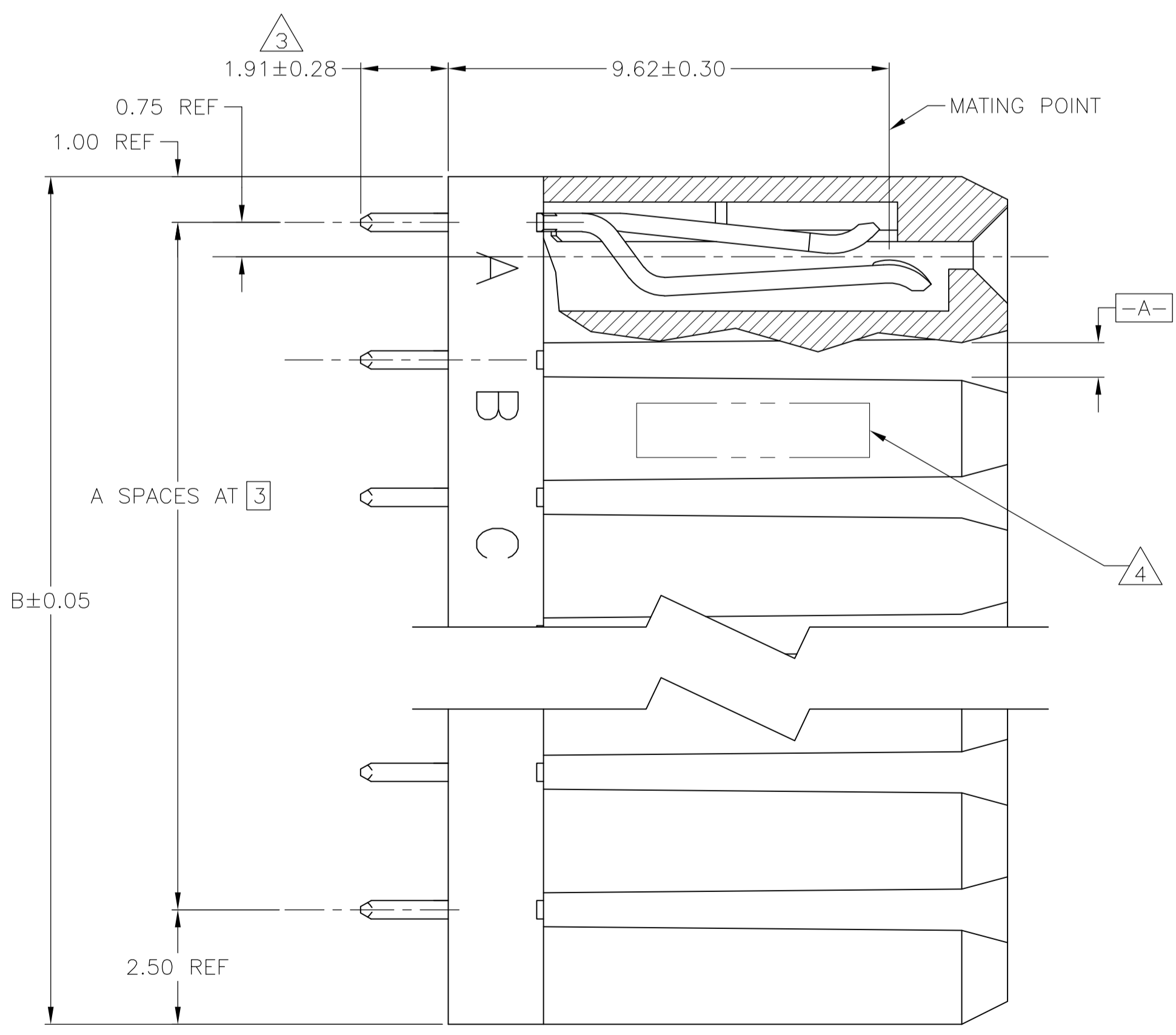
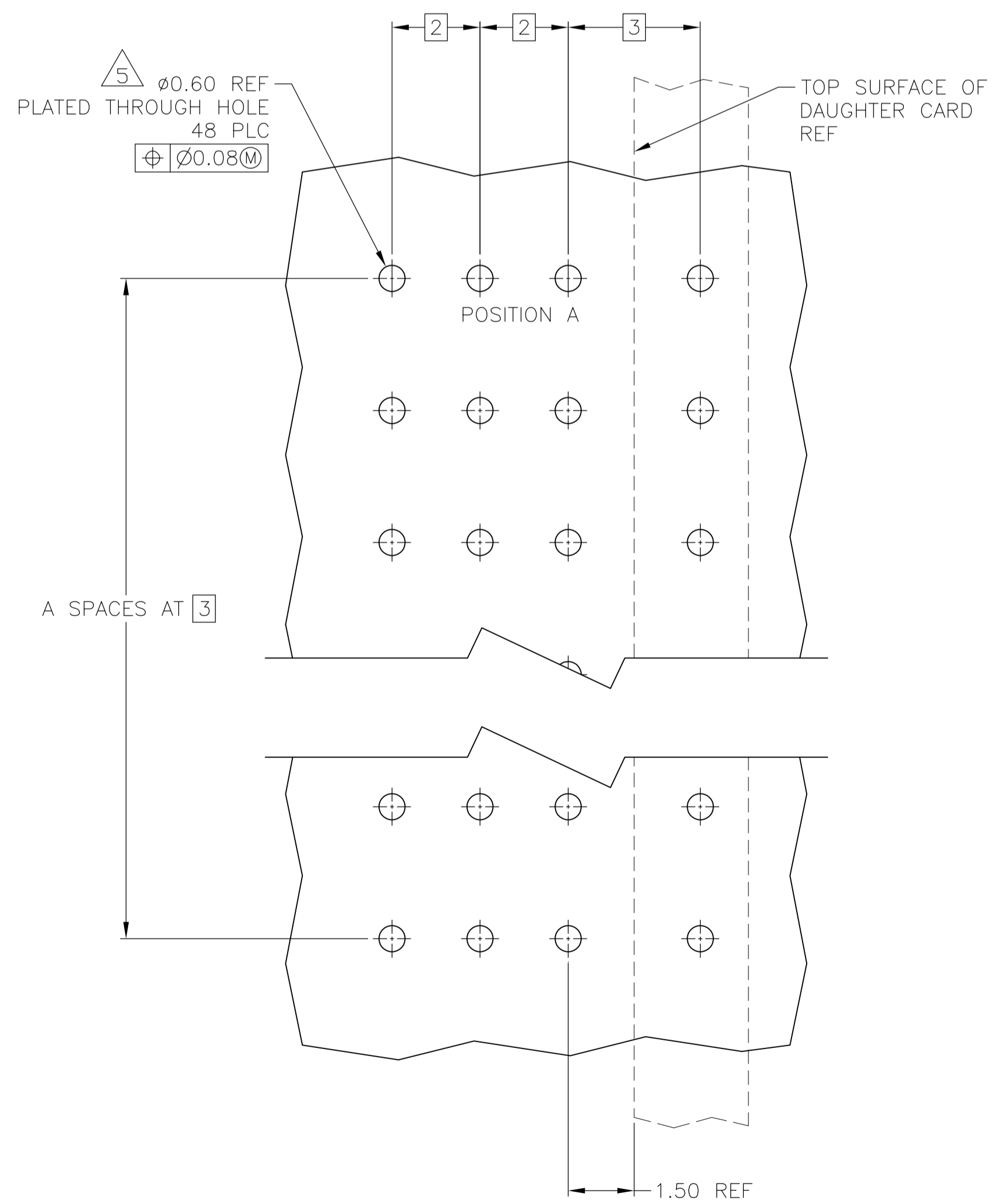
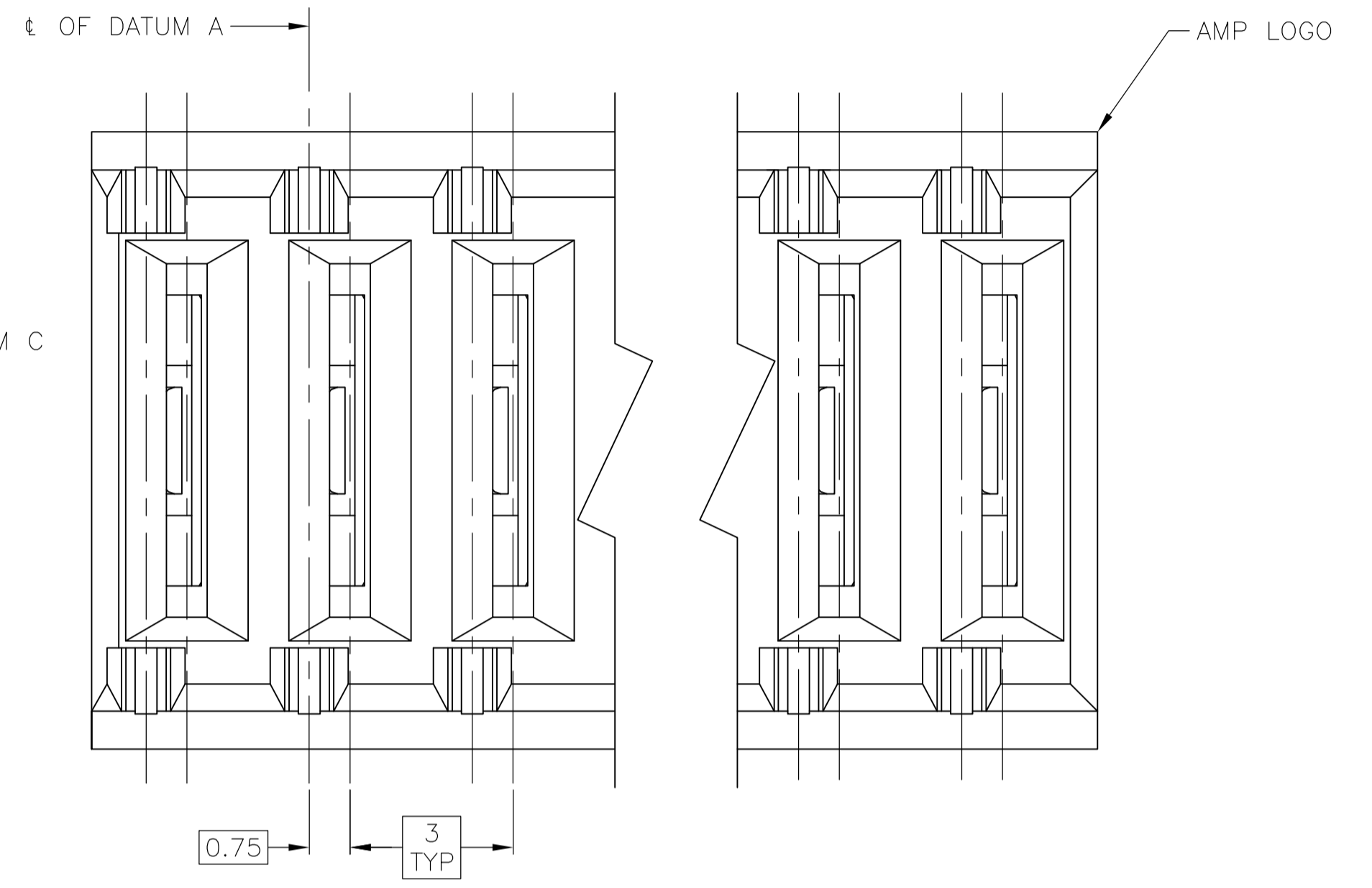
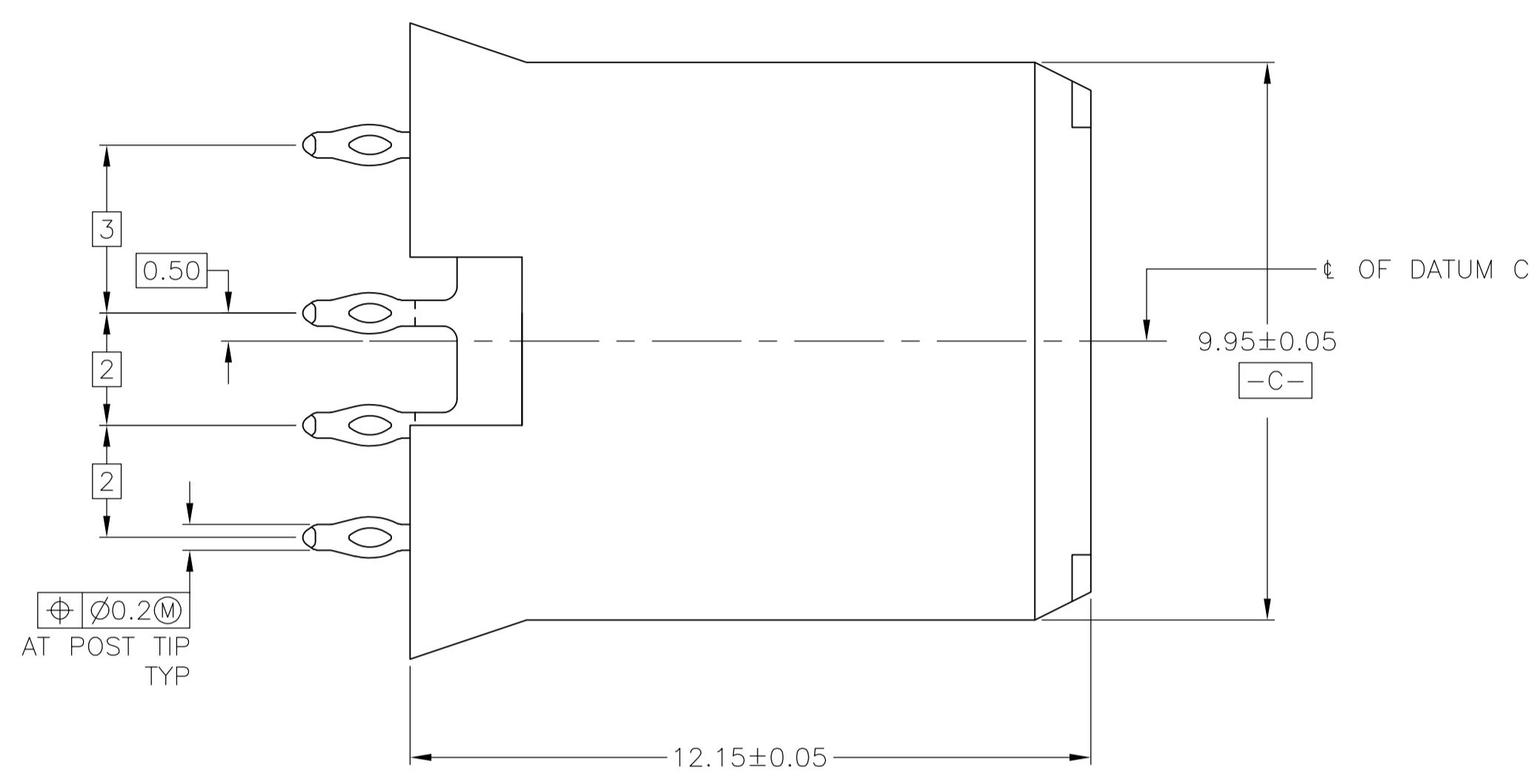
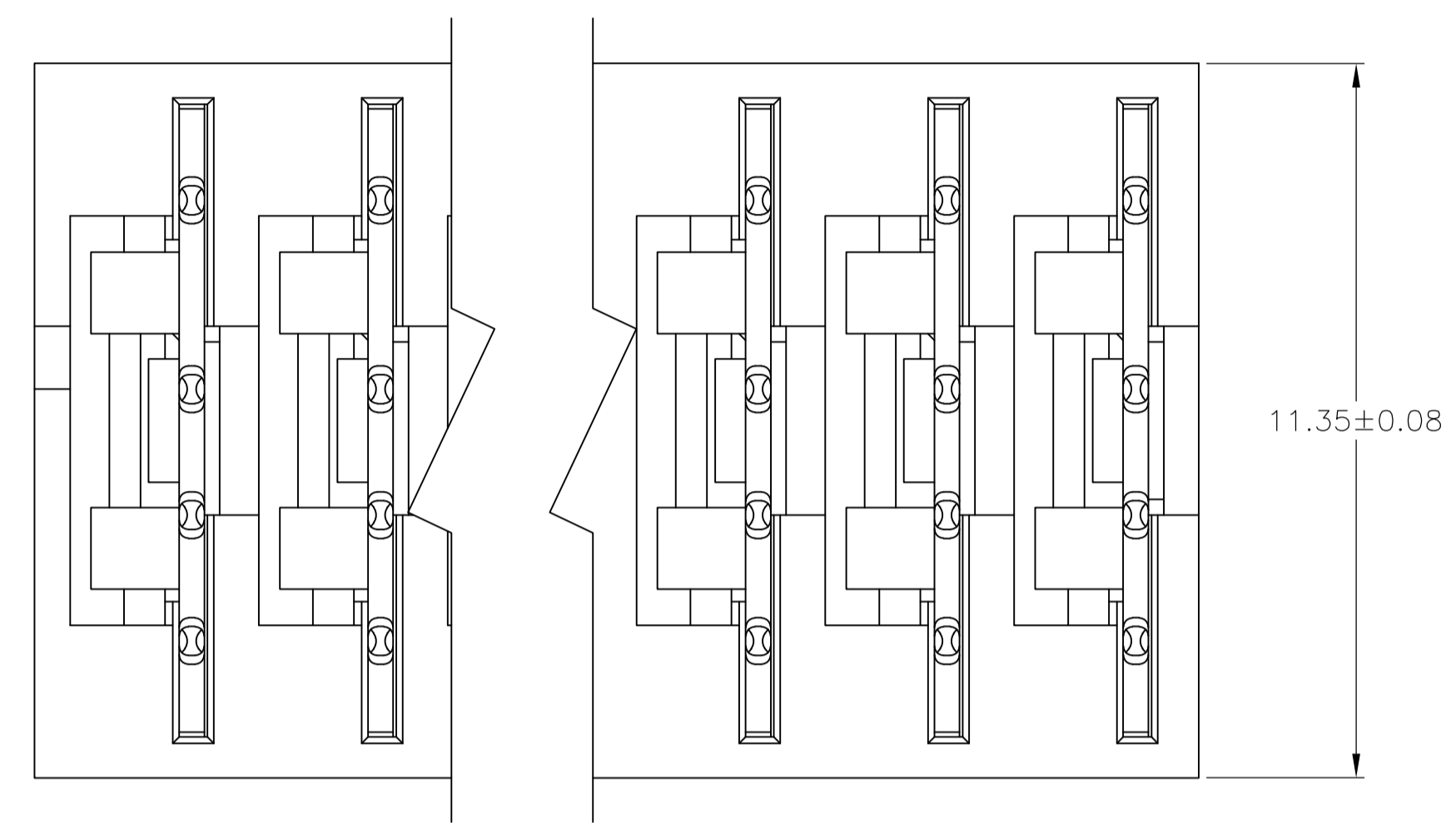


LOC		DIST		REVISIONS			
P	LTR	DESCRIPTION	DATE	DMN	APVD		
01		REV PER ECO-07-015274	27JUN2007	BC	RP		

- ① HOUSING : POLYESTER, GRAY.
CONTACT: HIGH CURRENT COPPER ALLOY.
- ② CONTACT MATING AREA: 1.27μm MIN GOLD PLATE,
ACTION PIN AREA, 0.5μm MIN TIN-LEAD PLATE,
ALL OVER 1.27μm MIN NICKEL UNDERPLATE.
- ③ DIMENSION APPLIES AFTER CONNECTOR IS APPLIED TO PC BOARD.
- ④ DATE CODE THIS APPROXIMATE AREA, OPPOSITE SIDE.
- ⑤ REFERENCE APPLICATION SPEC 114-1103 FOR RECOMMENDED PLATED THRU HOLE DIAMETER AND PLATING THICKNESSES.



RECOMMENDED PCB HOLE LAYOUT

POSITION	B	A	PART NUMBER
12	36.5	11	1-120950-0
11	33.5	10	120950-9
10	30.5	9	120950-8
9	27.5	8	120950-7
8	24.5	7	120950-6
7	21.5	6	120950-5
6	18.5	5	120950-4
5	15.5	4	120950-3
4	12.5	3	120950-2
3	9.5	2	120950-1

THIS DRAWING IS A CONTROLLED DOCUMENT.

DIMENSIONS: mm	TOLERANCES UNLESS OTHERWISE SPECIFIED:	DIN B CARDO 29JUL04	APVD R PATTERSON 12/9/99	NAME RECEPACLE ASSEMBLY, UNIVERSAL POWER MODULE
0 PLC ± -	1 PLC ± -	2 PLC ± 0.13	3 PLC ± -	4 PLC ± -
ANGLES ± -				
MATERIAL ①	FINISH ②	WEIGHT -	SIZE A1 00779	SCALE 10:1
CUSTOMER DRAWING		DRAWING NO. 120950		SHEET 1 OF 1

Tyco Electronics Corporation
 Harrisburg, PA 17105-3608